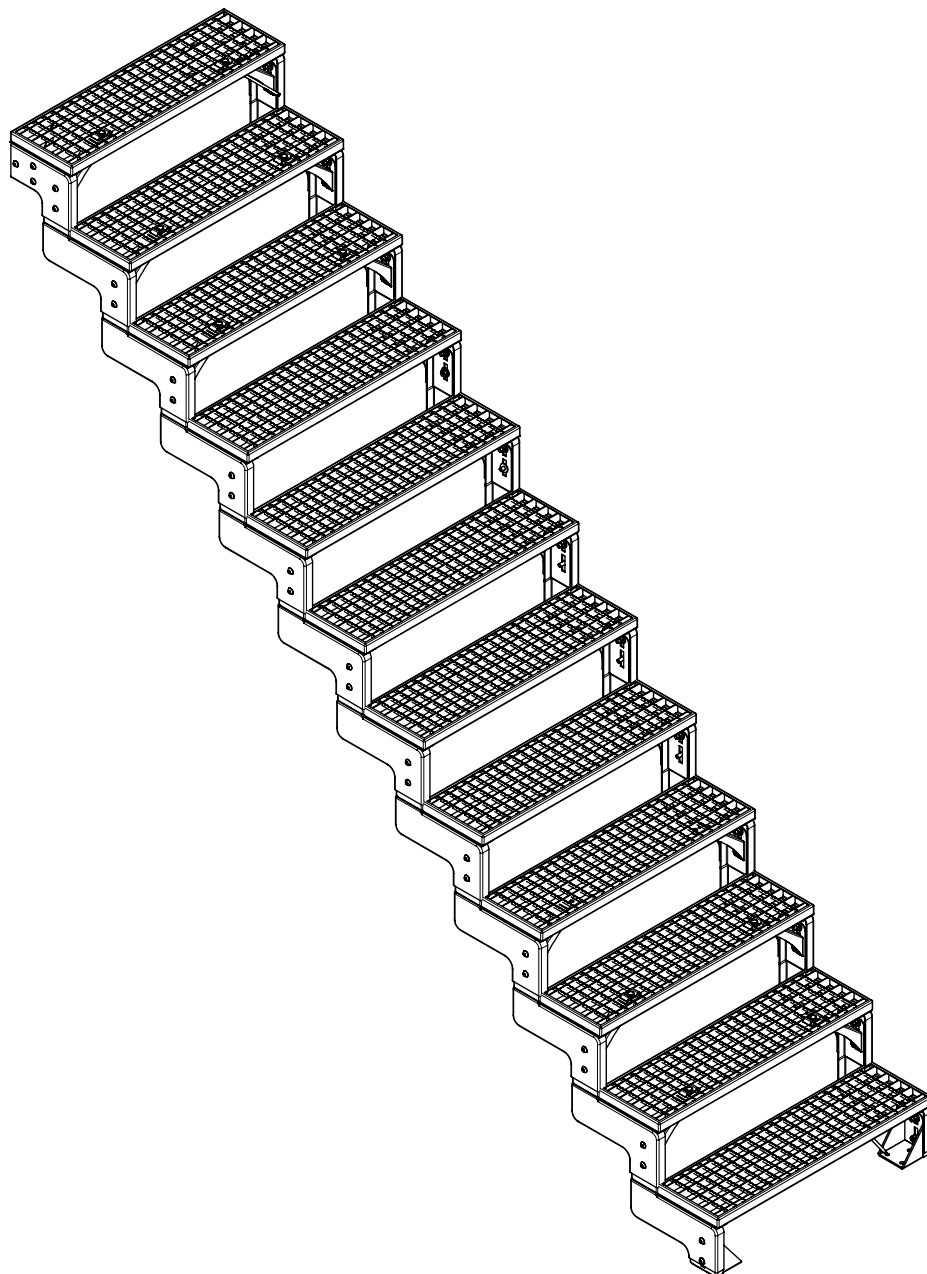


GARDENTOP

Gitterrost

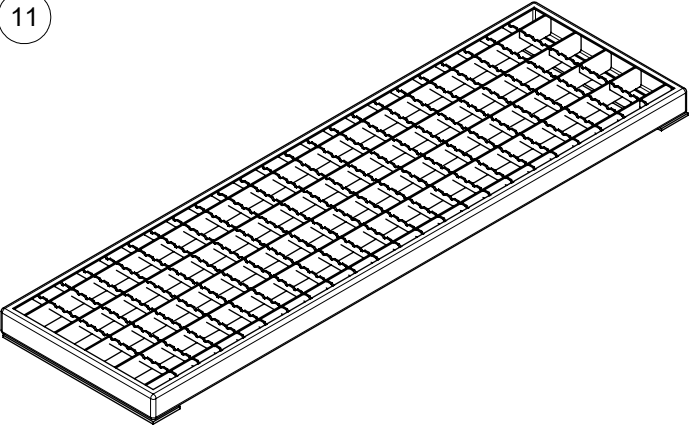
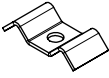






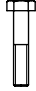

Montageanleitung
Installation instruction

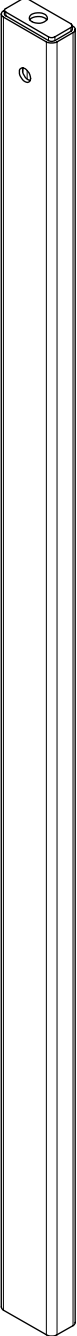
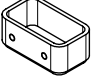
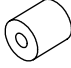
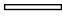










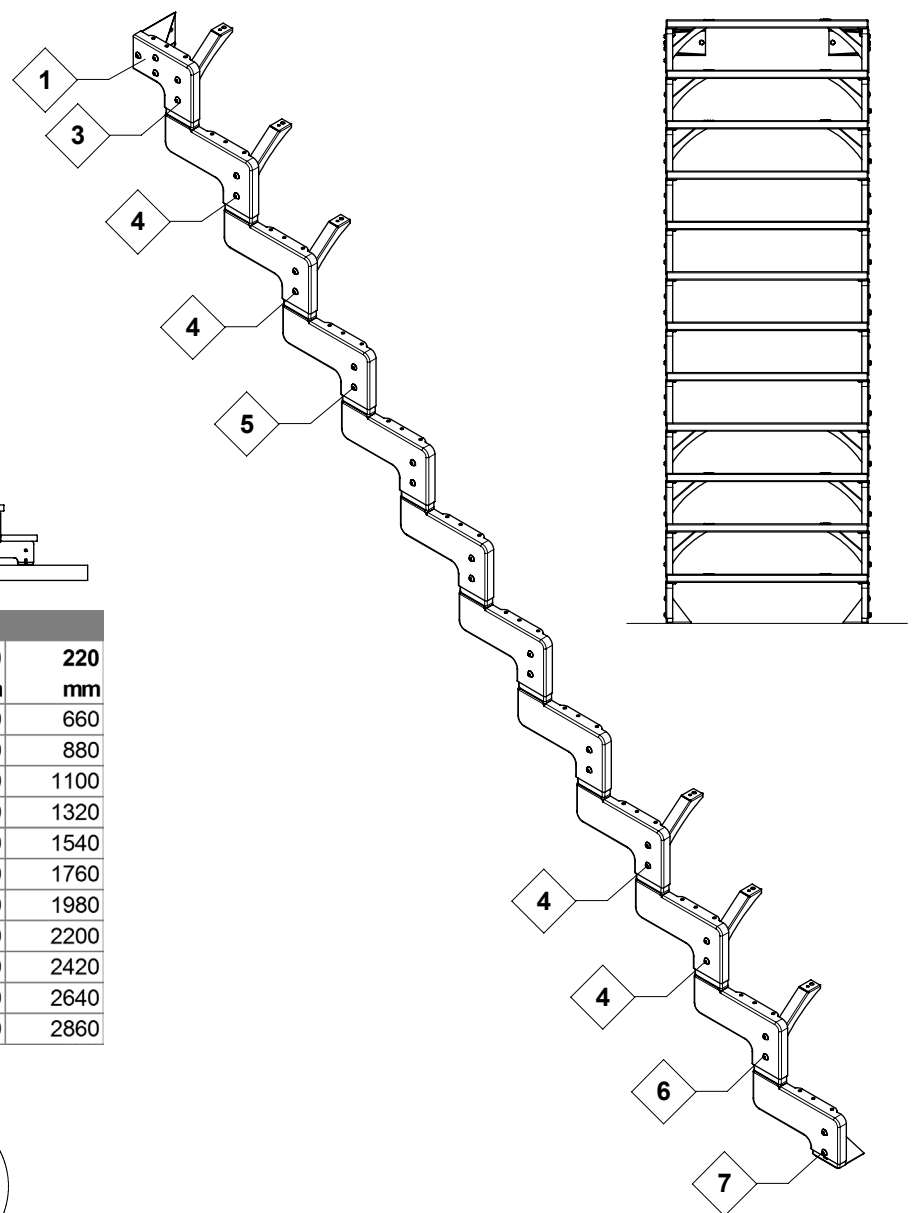
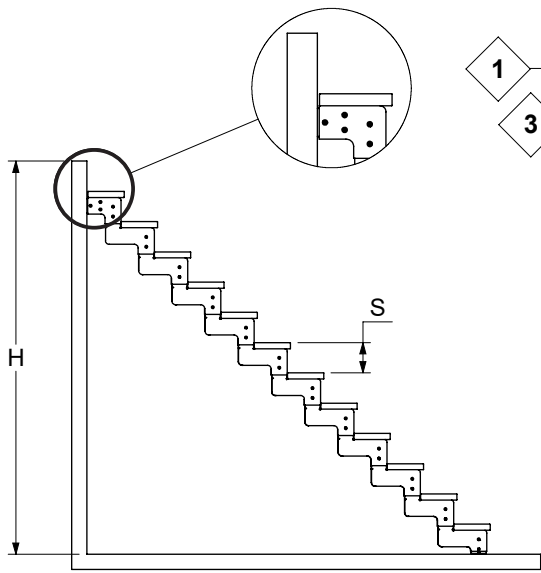
1068015		Starter-Set Start kit			
<p>1 2</p> <p>x 1 K1-41430 x 1 K1-41930</p>		<p>7 8</p> <p>x 1 K1-41911 x 1 K1-41910</p>		<p>5</p> <p>x 2 K2-41900</p>	
<p>6</p> <p>x 2 K1-41940</p>		<p>40</p> <p>x 14 K3-02045 M10 x 25</p>		<p>41</p> <p>x 2 K3-04110 Ø10</p>	
<p>42</p> <p>x 8 K3-04198 Ø10</p>		<p>43</p> <p>x 14 K3-03051 M10</p>		<p>44</p> <p>x 12 K3-08001 Ø12 x 60</p>	
<p>45</p> <p>x 12 K3-06070 Ø10 x 60</p>		<p>59</p> <p>x 12 K3-06269 Ø6 x 35</p>		<p>63</p> <p>x 4 K3-05022 M8 x 20</p>	
<p>64</p> <p>x 12 K3-04010 Ø10,5</p>					


1068016		Ergänzungs-Set 1 step kit			
<p>3 4</p> <p>x 1 K1-41921 x 1 K1-41920</p>		<p>40</p> <p>x 4 K3-02045 M10 x 25</p>		<p>42</p> <p>x 4 K3-04198 Ø10</p>	
		<p>43</p> <p>x 4 K3-03051 M10</p>			
		<p>59</p> <p>x 6 K3-06269 Ø6 x 35</p>			

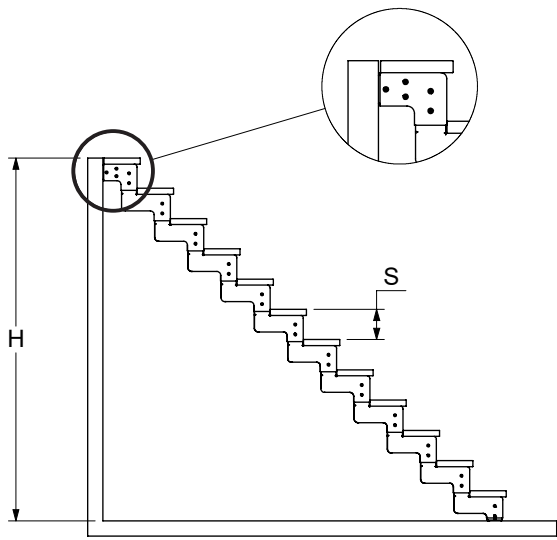
1068020		Stufen-Winkel Step support 1 step			
<p>If more than 6 steps: Add 9 + 10</p> <p>Wenn mehr als 6 Stufen: hinzufügen 9 + 10</p>		<p>9 10</p> <p>x 1 K1-41060 x 1 K1-41061</p> <p>Max. 6 Satz sets</p>		<p>40</p> <p>x 2 K3-02045 M10 x 25</p>	
		<p>43</p> <p>x 2 K3-03051 M10</p>		<p>58</p> <p>x 2 K3-02386 M8 x 40</p>	
		<p>59</p> <p>x 1 K3-06269 Ø6 x 35</p>		<p>61</p> <p>x 2 K3-03047 M8</p>	
		<p>65</p> <p>x 2 K3-04099 Ø10</p>			


		Gitterrost-Stufe Grating step		80 cm / 100 cm	
11		44		55	 
		× 2		× 4 K3-04016 Ø6	× 4 K3-03046 M6
		57	 	58	 
		× 4 K3-02220 M6 x 20		× 2 K3-02386 M8 x 40	61   × 2 K3-03047 M8

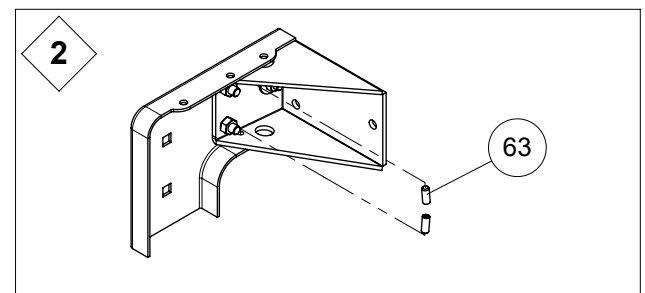
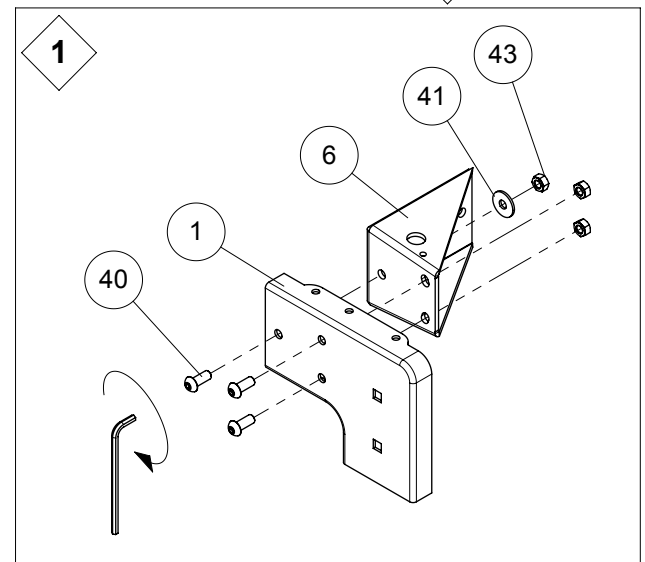
1068098		Unterstützung Support		OPTION	
24		26		41	 
		× 1 K1-41955	27		× 1 K3-04110 Ø10
		53	 	54	
		× 2 K3-05007 M5 x 5	× 1 K3-08002 Ø8 x 40	55	  × 1 K3-06032 Ø6 x 60
		× 1 K1-41950			52   × 1 K3-02375 M10 x 75

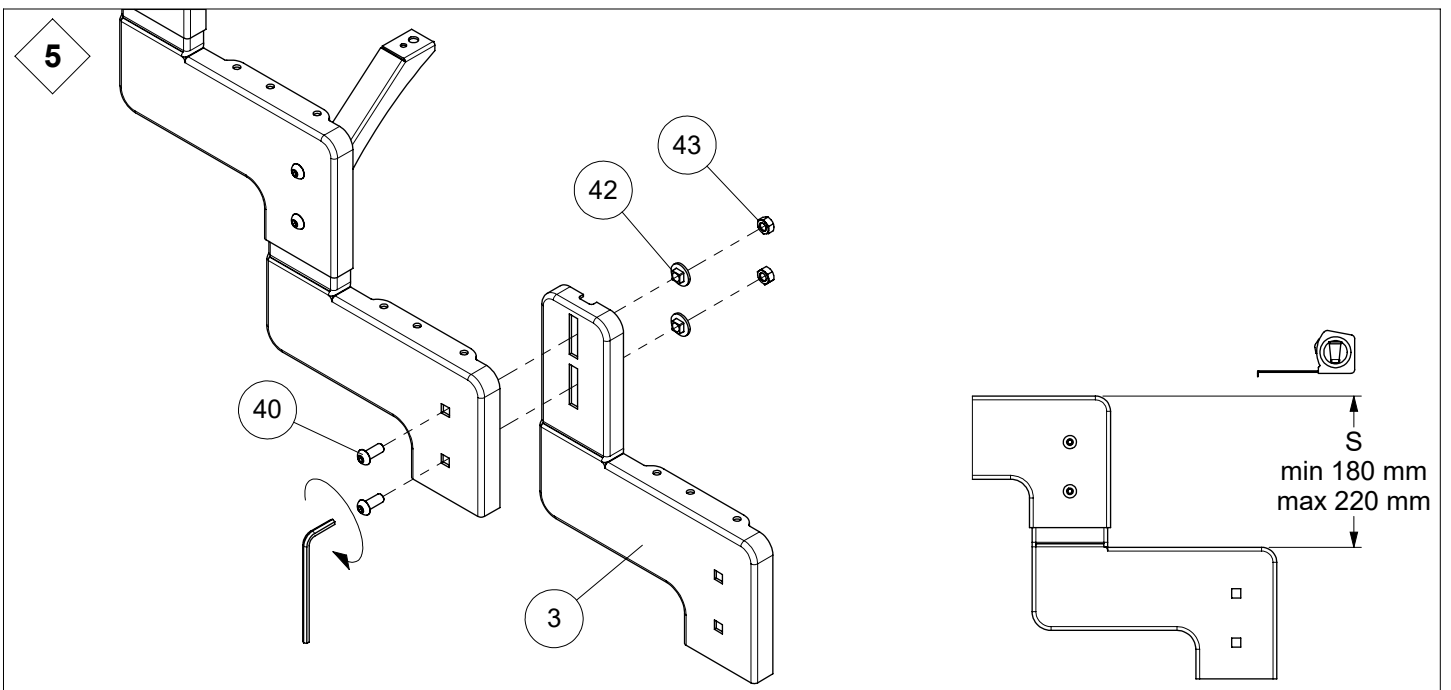
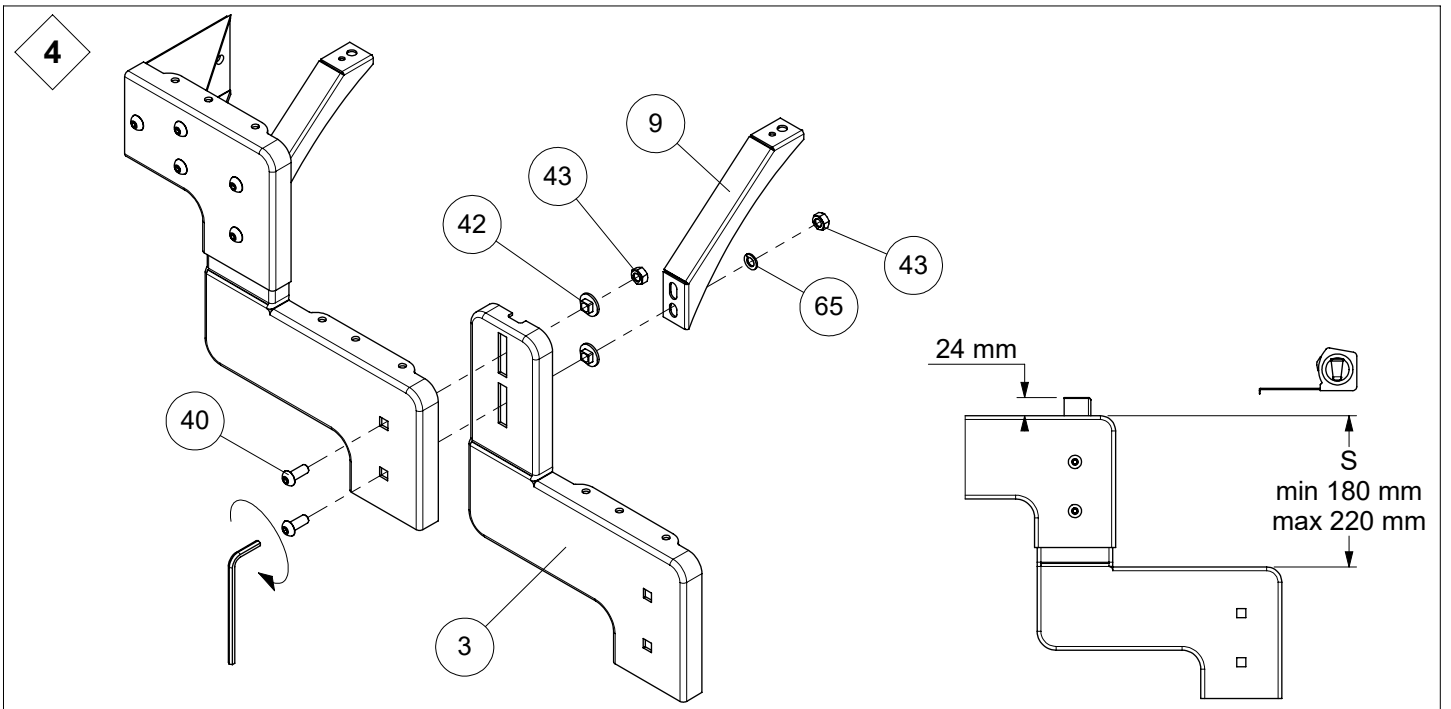
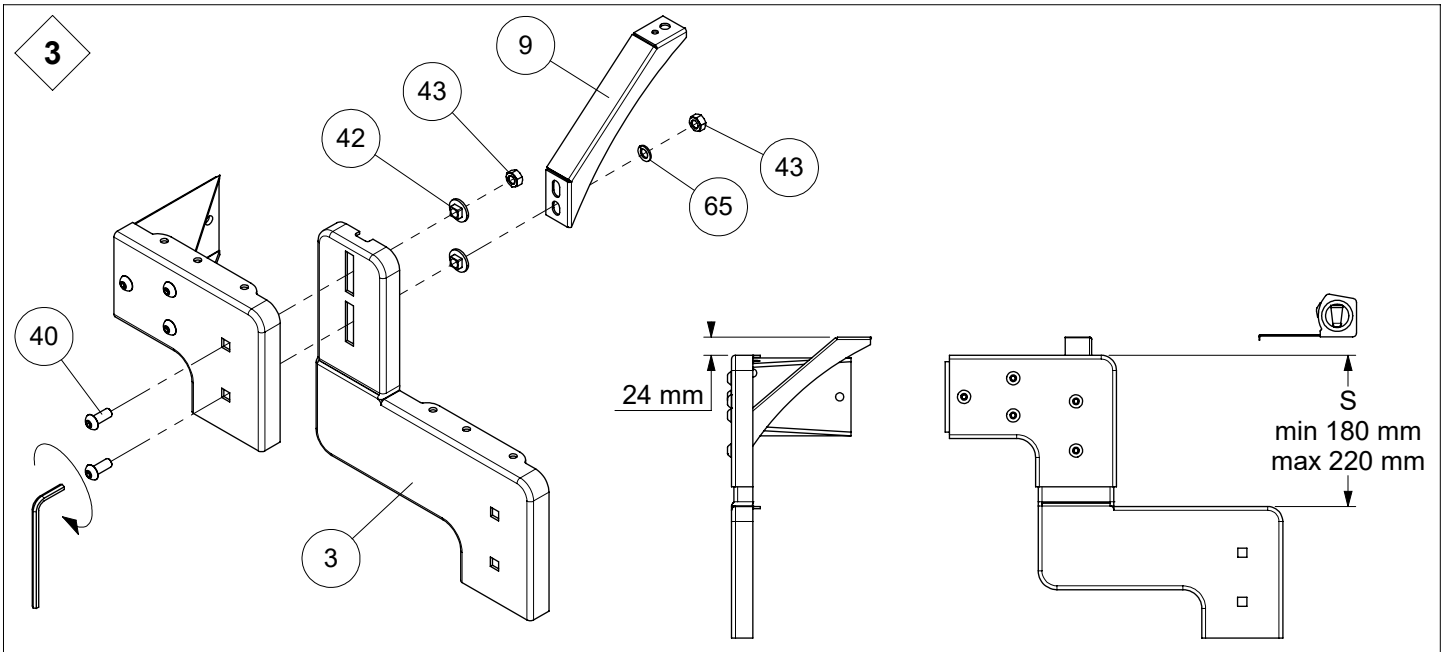


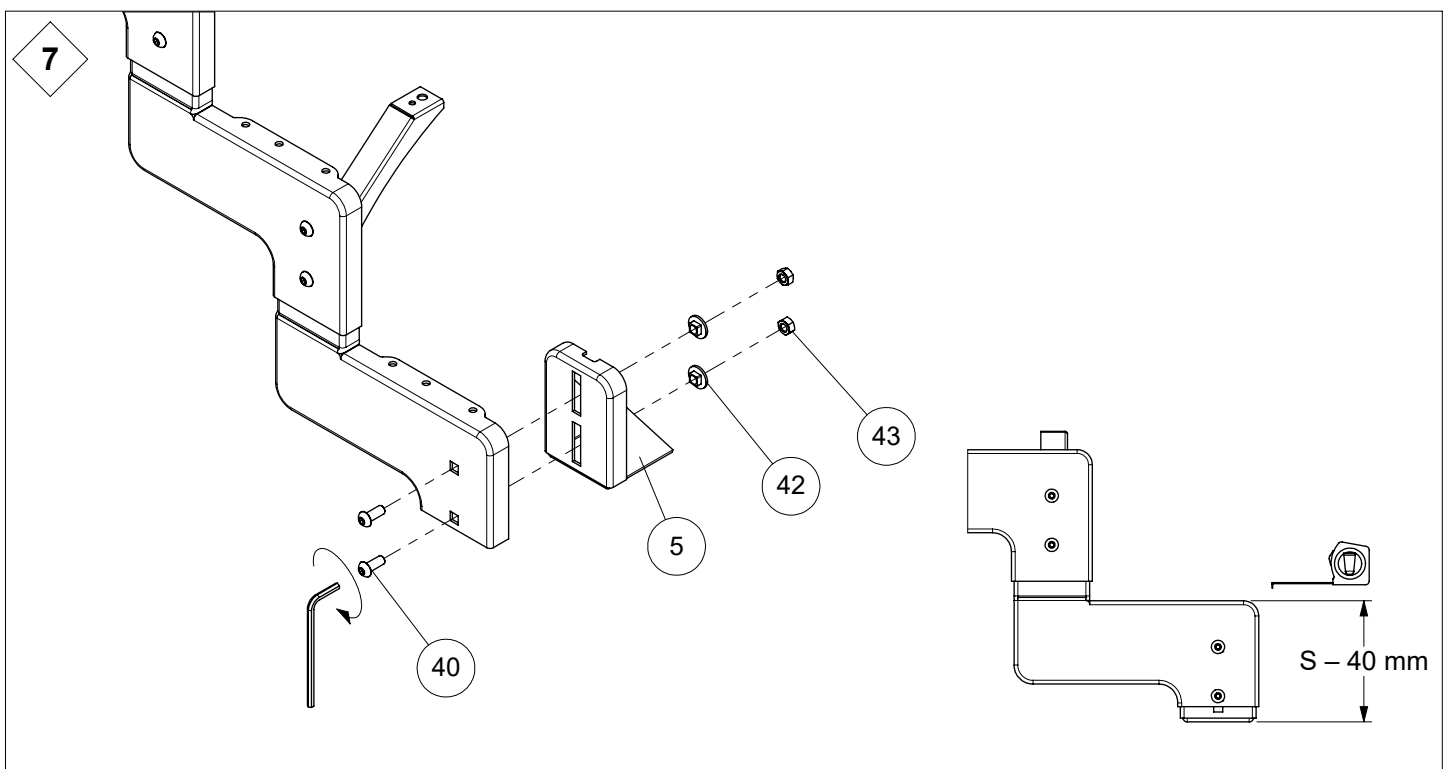
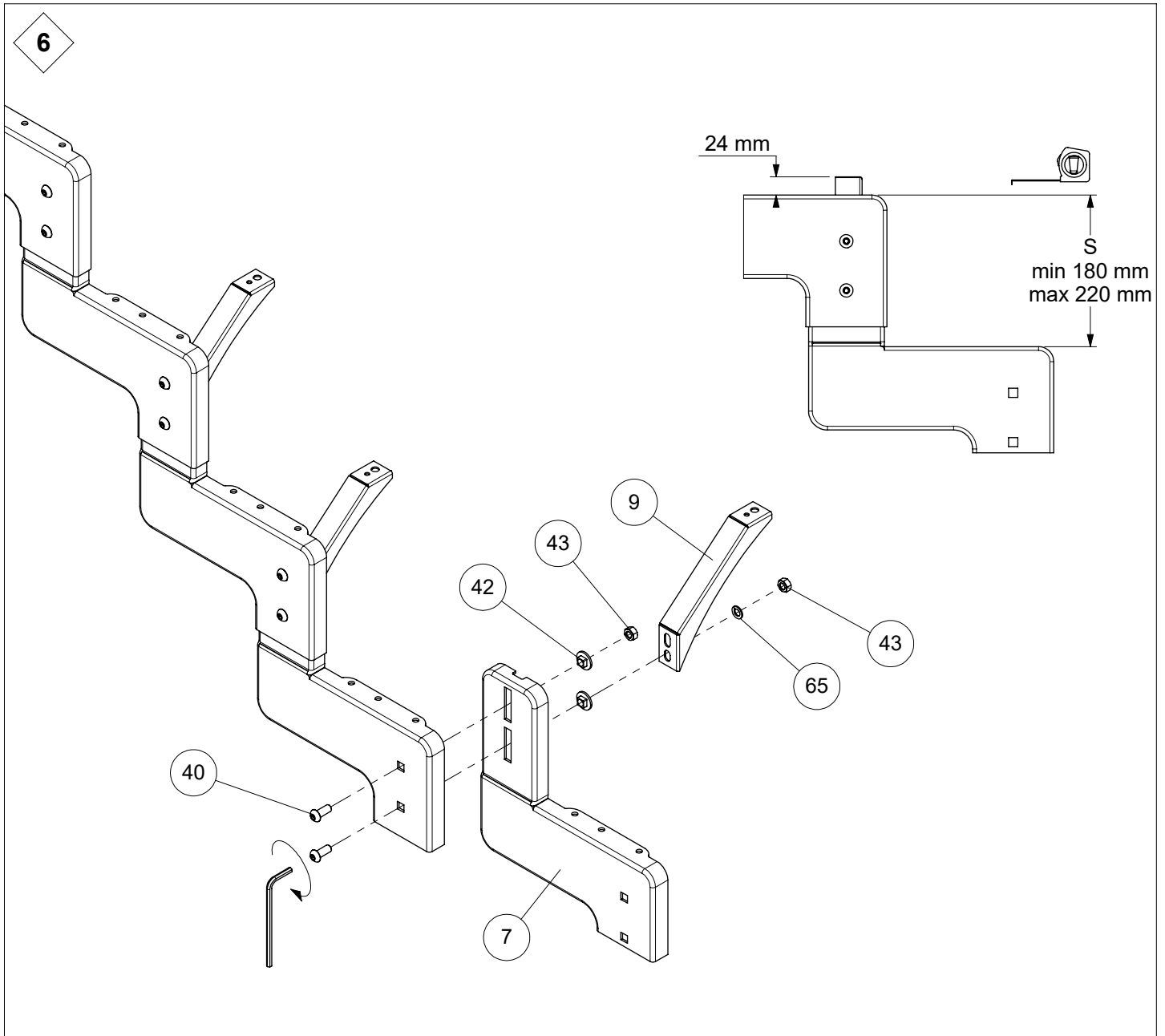
H	S				
	180 mm	190 mm	200 mm	210 mm	220 mm
2	540	570	600	630	660
3	720	760	800	840	880
4	900	950	1000	1050	1100
5	1080	1140	1200	1260	1320
6	1260	1330	1400	1470	1540
7	1440	1520	1600	1680	1760
8	1620	1710	1800	1890	1980
9	1800	1900	2000	2100	2200
10	1980	2090	2200	2310	2420
11	2160	2280	2400	2520	2640
12	2340	2470	2600	2730	2860

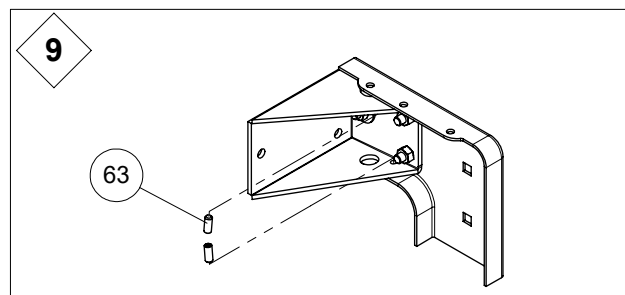
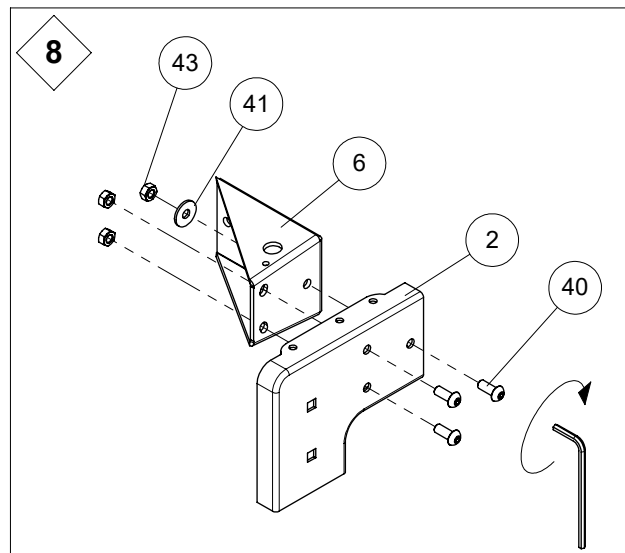
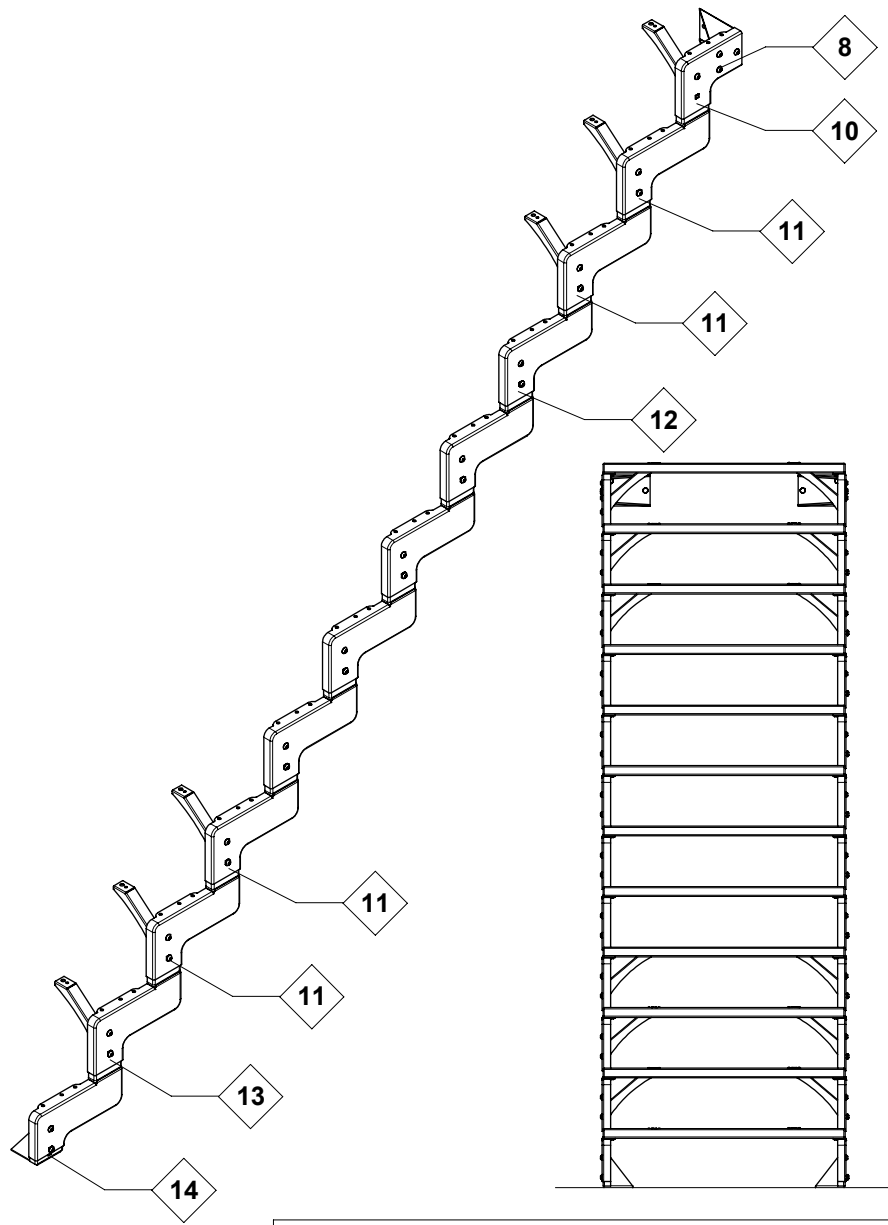


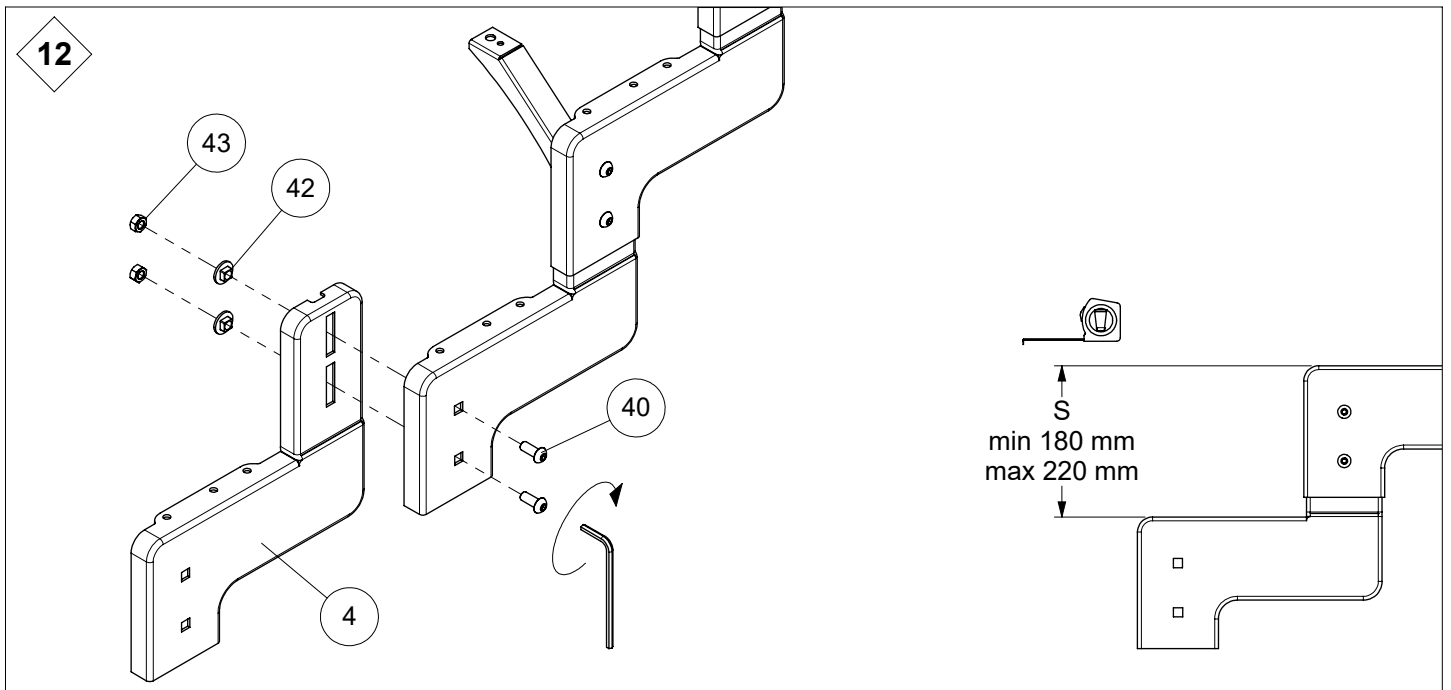
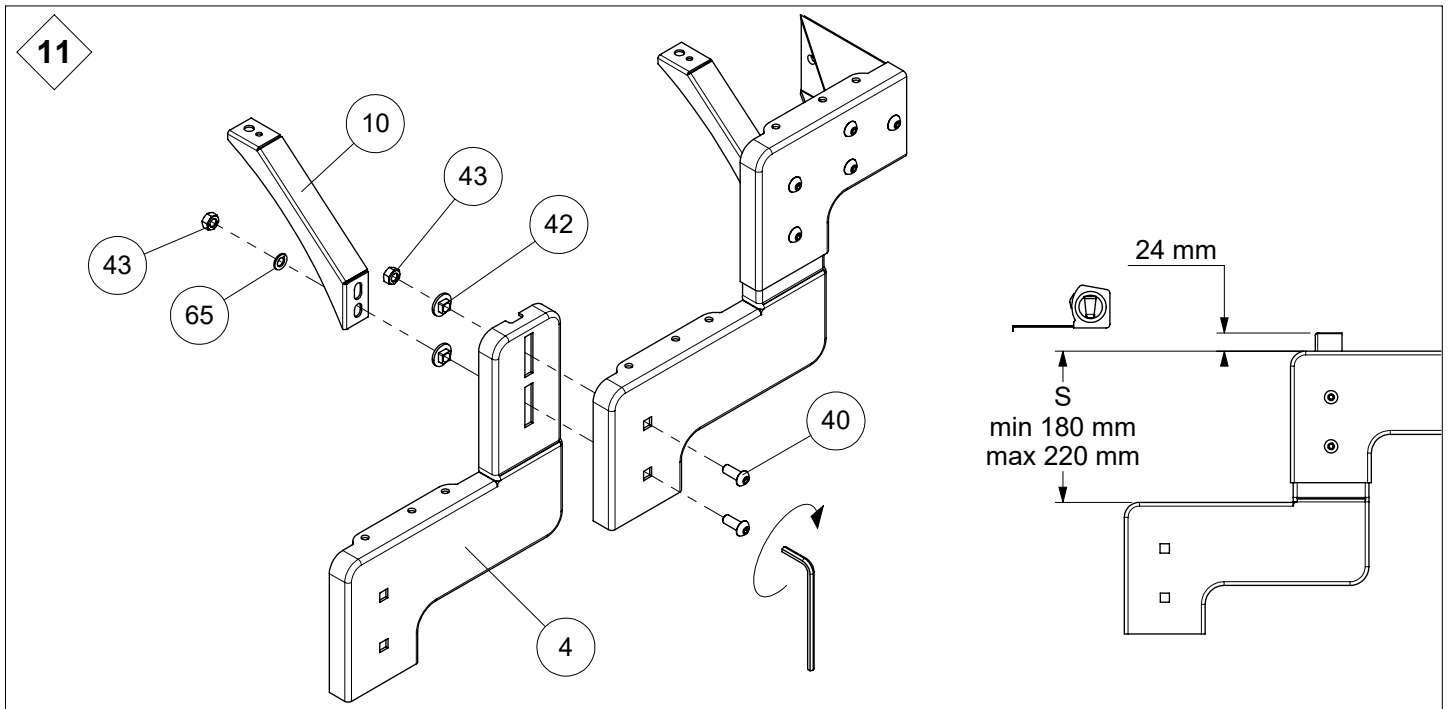
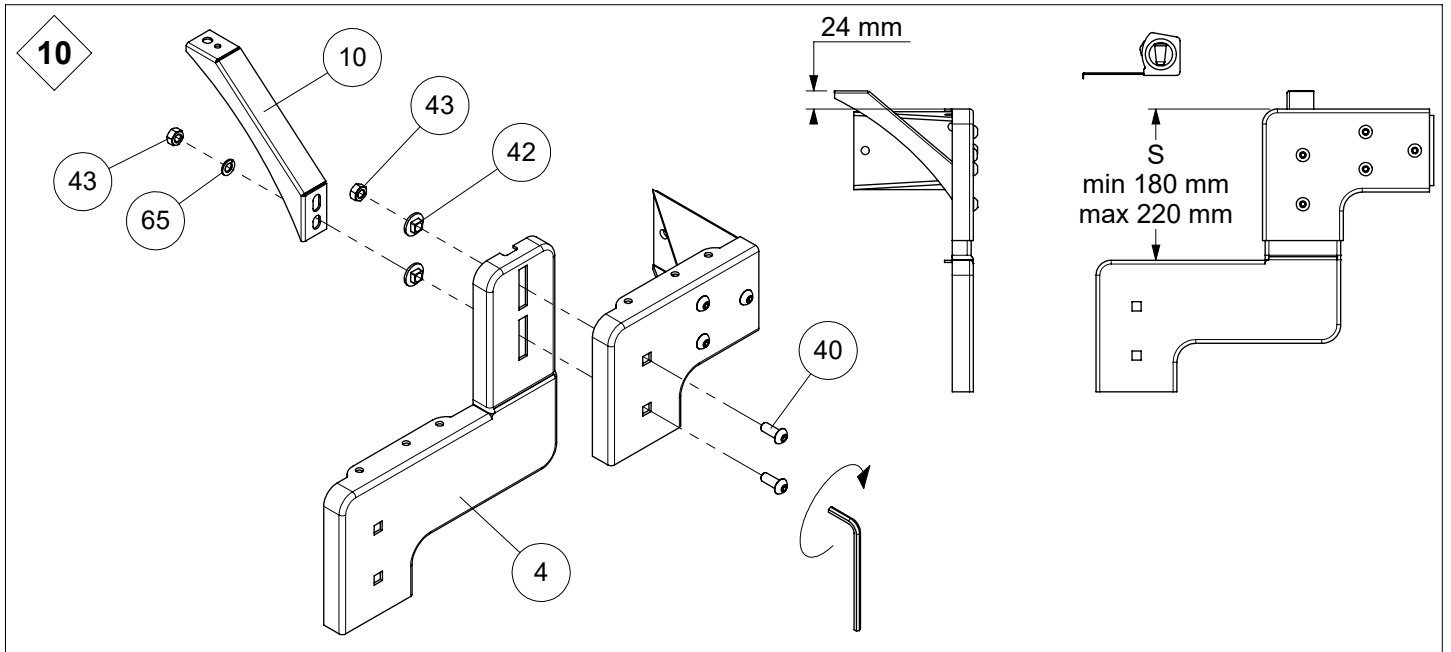
H	S				
	180 mm	190 mm	200 mm	210 mm	220 mm
2	360	380	400	420	440
3	540	570	600	630	660
4	720	760	800	840	880
5	900	950	1000	1050	1100
6	1080	1140	1200	1260	1320
7	1260	1330	1400	1470	1540
8	1440	1520	1600	1680	1760
9	1620	1710	1800	1890	1980
10	1800	1900	2000	2100	2200
11	1980	2090	2200	2310	2420
12	2160	2280	2400	2520	2640



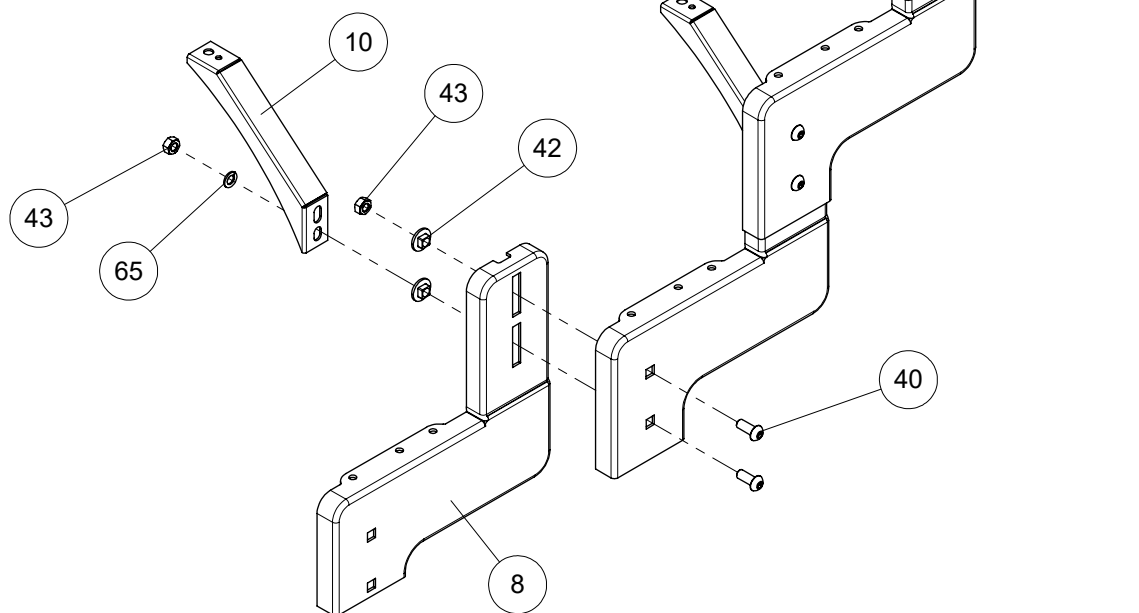
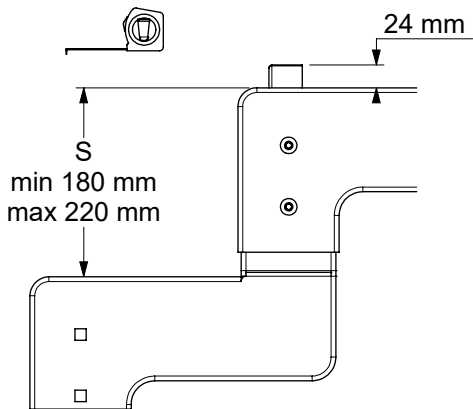




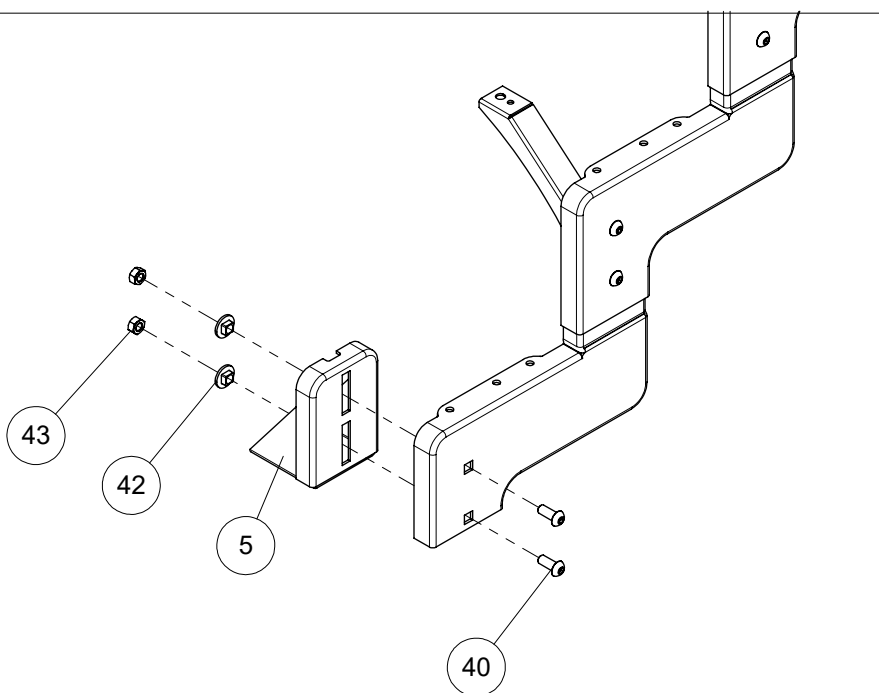
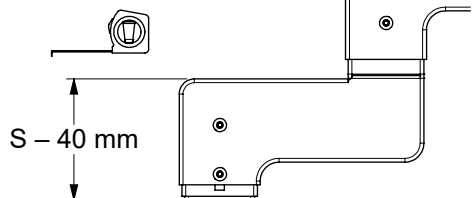


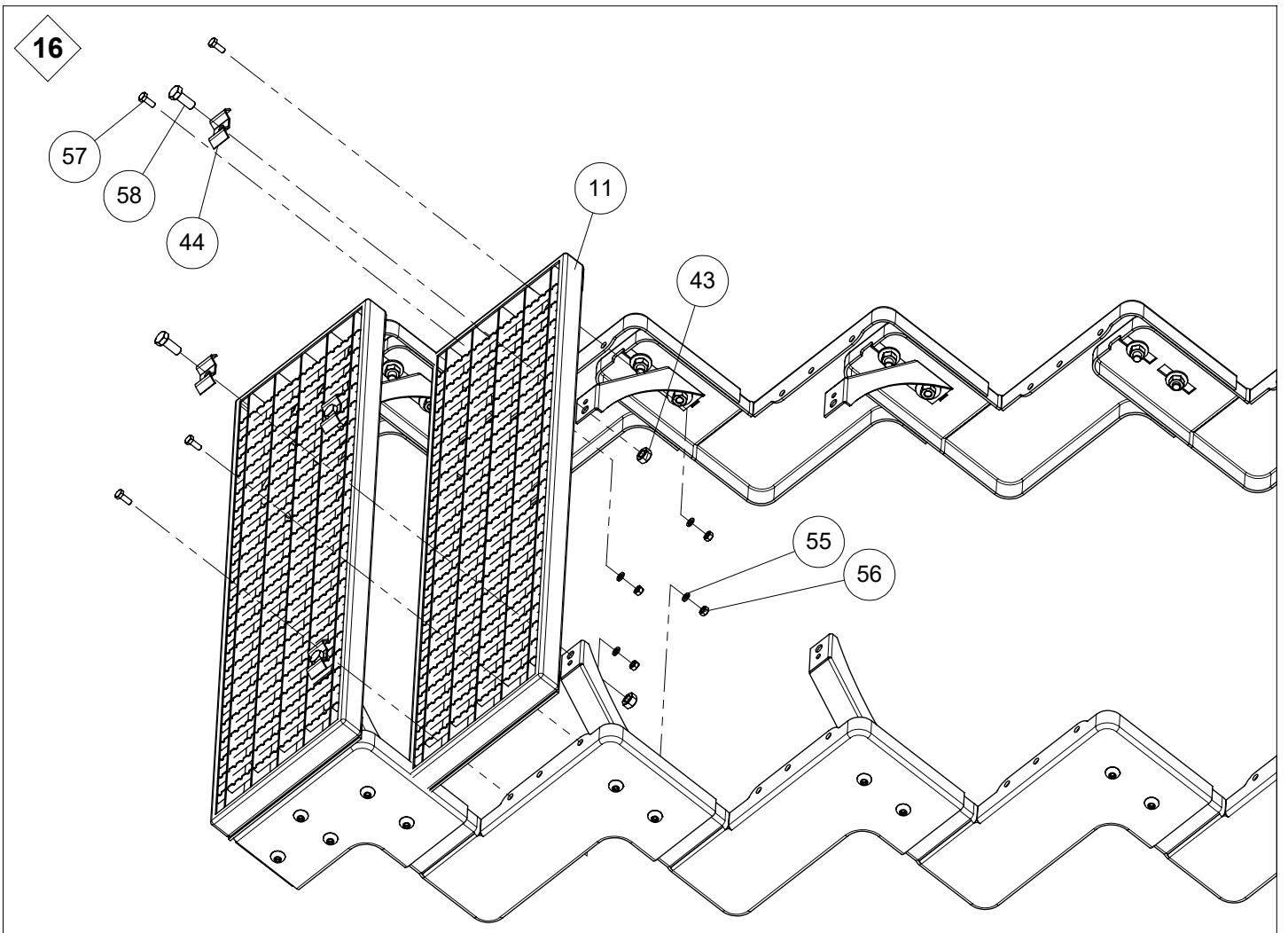
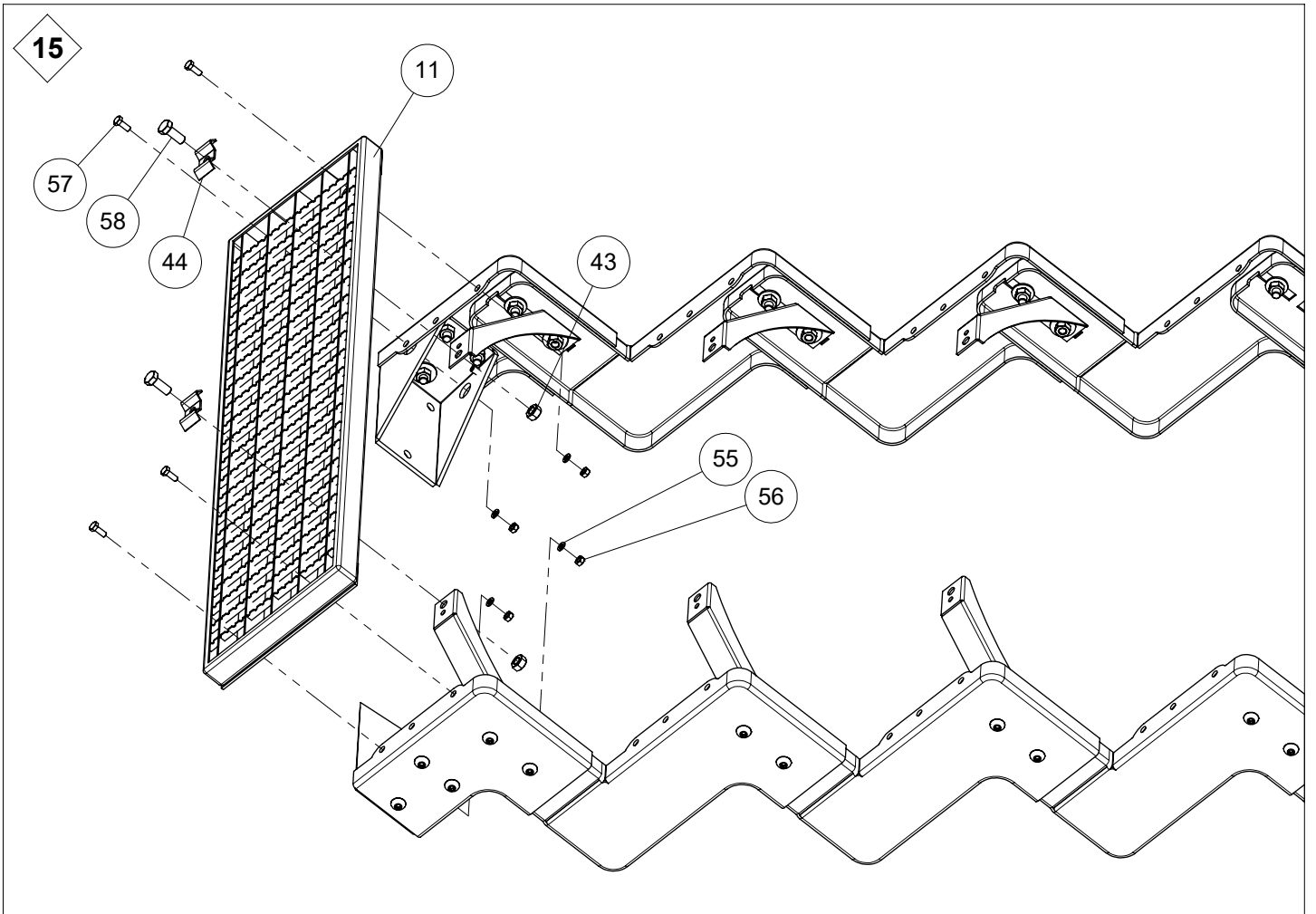


13

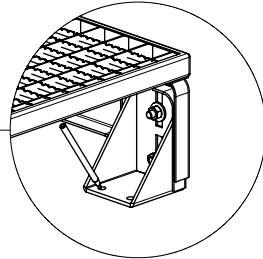
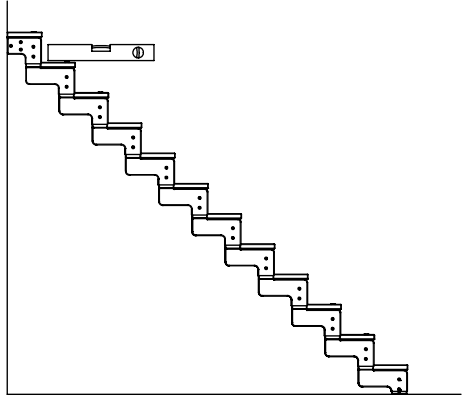
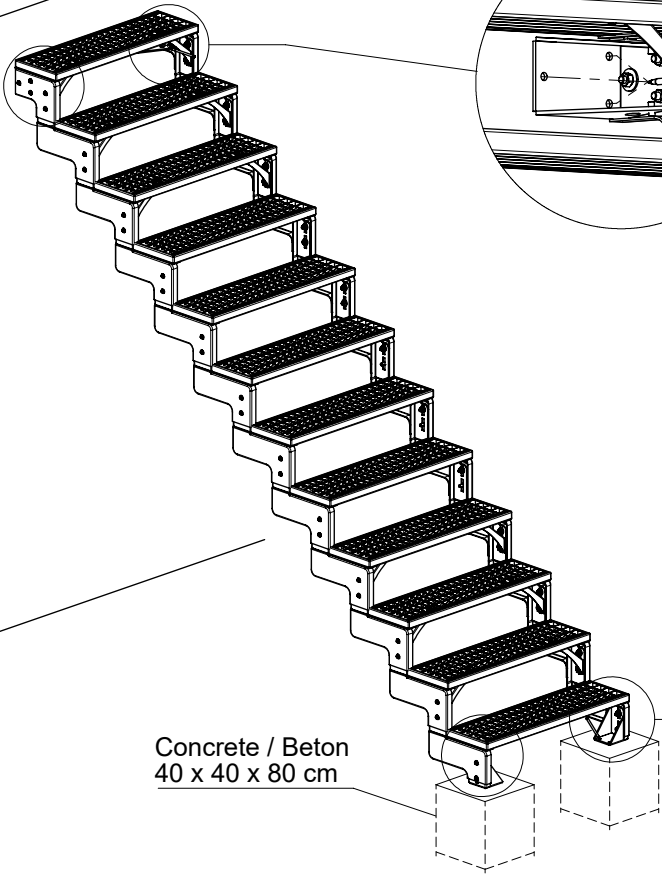


14



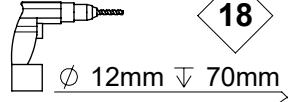


17



18

19



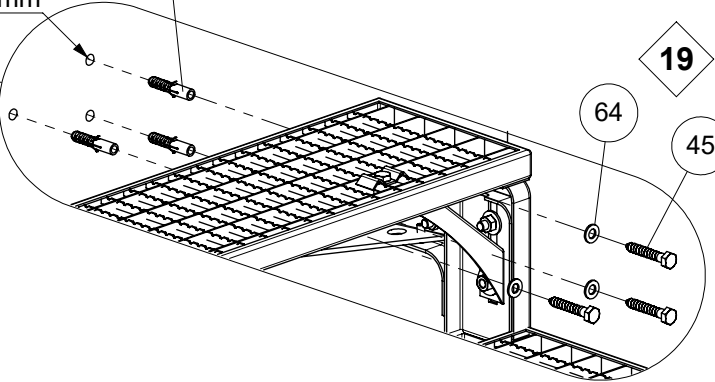
18

44

19

64

45



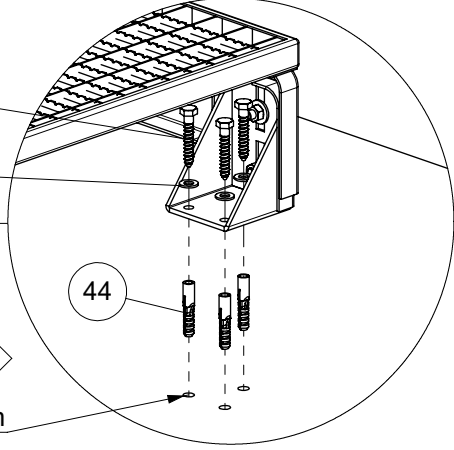
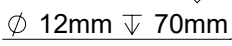
19

45

64

44

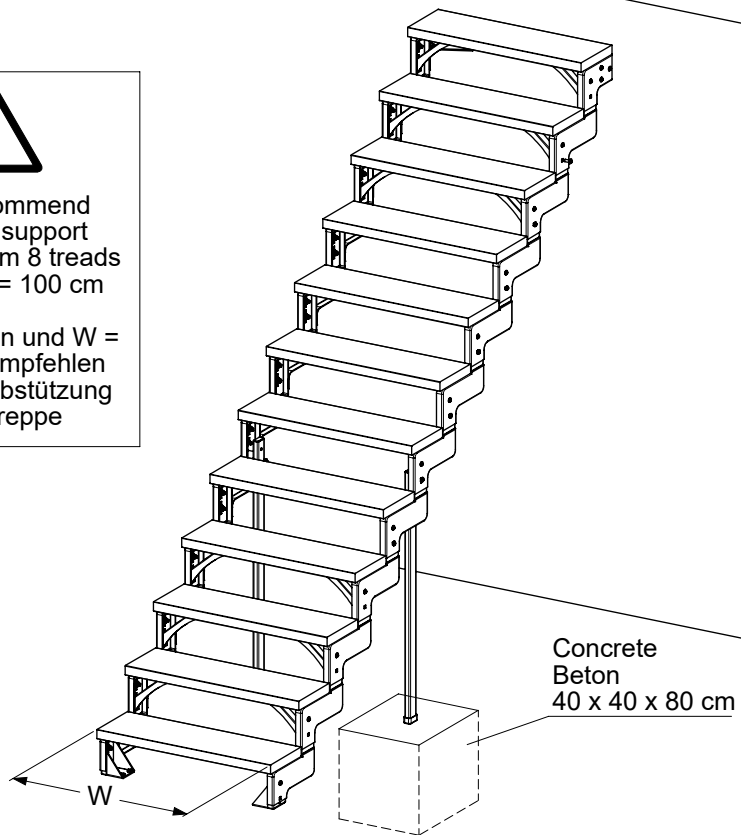
18





We recommend
using a support
column from 8 treads
and if $W = 100$ cm

Ab 8 Stufen und $W =$
100 cm empfehlen
wir eine Abstützung
der Treppe



Concrete
Beton
40 x 40 x 80 cm