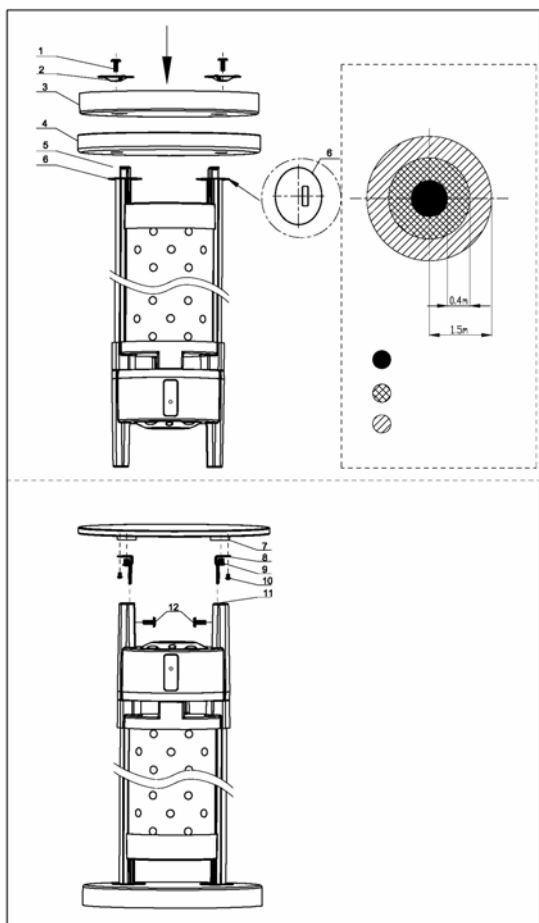




Elektrisk infravarmen for utendørs bruk
Art nr 421240 og 421250



<u>NO</u>	<u>Bruksanvisning</u>	<u>1-3</u>
<u>EN</u>	<u>Instruction Manual</u>	<u>4-6</u>



No.	Part Name	No.	Part Name
1	Skrue M6*20	7	Festepunkt
2	Skive	8	L-Brakett
3	Fot	9	Skrue M8*6
4	Deksel fot	10	Skrue M4*6
5	Festebrakett	11	Kontrollpanel
6	Dekorasjonsring	12	Skrue M6*16

Bruerveiledning

Montering:

1. Sett selve varmeren på hodet, plasser dekorasjons - ring, deksel, fot og skiver.
2. Fest foten ved å bruke 2 stk skru M6*20.
3. Snu varmeren slik at den står på foten (Fig. B). Fest L-brakett til hvert festepunkt på glassplaten ved å bruke skruer M8*8 & M4*8. Hele glassplaten festes så ved å føre den ned i sporene på toppen. Bruk skruer M6*16

Bruk:

1. Kobles til 230V stikkontakt m/jording.
2. LED lys slås av/på med bryter på toppen av panelet.
3. Varmeren slås av/på med bryter på panelet. For modell SH1685FAL gjelder også følgende: IR Sensor LED begynner å blinke. Når man befinner seg innenfor en radius av 0,6m fra varmeren vil IR Sensor LED lyse fast, og varmeren slår seg automatisk på. Når man forlater området, vil varmeren slå seg av etter 5 sek. IR Sensor LED begynner så å blinke.
4. **NB:** IR-sensorens distanse kan variere ut i fra hva slags miljø varmeren er plassert i. Skulle det være materialer av glass, aluminium og andre blanke/speilaktige objekter i nærheten, kan IR-sensorens områdes utvides til opptil 3m.

Forsiktighetsregler:

1. Må ikke plasseres nærmere brennbart materiale enn 150cm.
2. Må plasseres på en flat og jevn overflate.
3. Unngå å ta på varmeren når den er i bruk, eller like etter at den er slått av, da den har en meget høy temperatur, og kan forårsake ubehag ved berøring.
4. Må ikke tildekkes verken under bruk eller etter bruk.
5. Tvinn ikke ledningen rundt varmeren.
6. Unngå slag og vibrasjoner i varmeren.
7. Varmeren må være tilkoblet jordet stikkontakt.
8. Alle reparasjoner må utføres av godkjent verksted..
9. Skulle strømfledningen bli skadet, må denne ikke forsøkes byttet av andre enn godkjent verksted.
10. Varmeren må ikke plasseres direkte under veggkontakt.
11. Må ikke brukes sammen med tidsur, uke - timere eller andre automatiske brytere for å slå den av/på. Kun varmerens egen

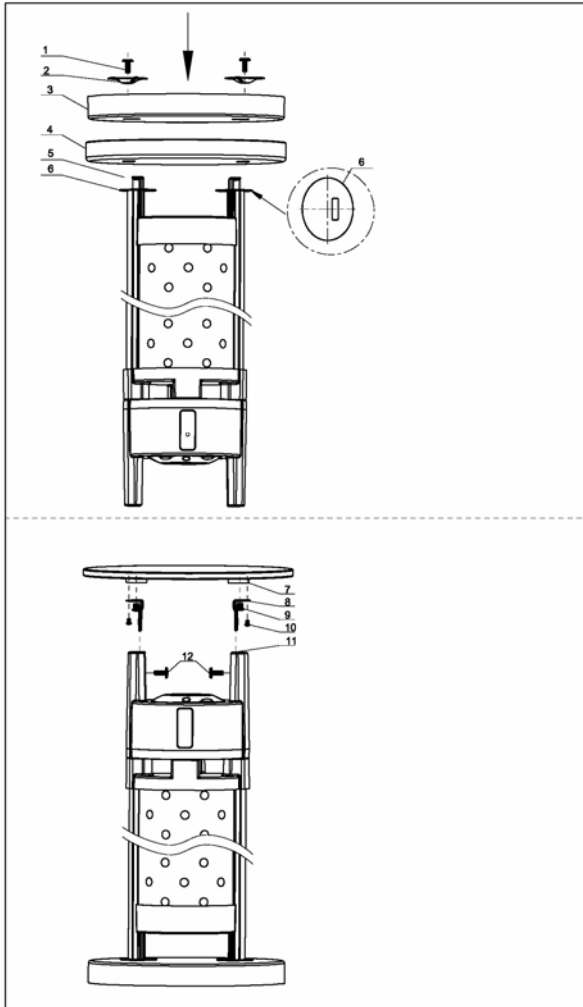
bryter skal brukes.

12. Varmeren bør ikke brukes av, eller i nærheten av barn, uten oppsyn av voksen.
13. Varmeren er kun ment for privat bruk i hjemmet, ikke i offentlige rom eller uthus av alle slag.
14. Varmeren bør ikke brukes i nærheten av vannkilder, som basseng, utedusj, jacuzzi eller lignende.
15. Rengjøres med lett fuktet klut. Må ikke senkes ned i vann.

Rengjøring:

Dra ut støpselet før enhver rengjøring av varmeren iverksettes .

16. Varmeren er kun ment for privat bruk i hjemmet, ikke i offentlige rom eller uthus av alle slag.
17. Varmeren bør ikke brukes i nærheten av vannkilder, som basseng, utedusj, jacuzzi eller lignende.
18. Rengjøres med lett fuktet klut. Må ikke senkes ned i vann.



No.	Part Name	No.	Part Name
1	Screw M6*20	7	Alum. Fixture
2	Washer	8	L Bracket
3	Base	9	Screw M8*6
4	Base Cover	10	Screw M4*6
5	Base Bracket	11	Control Box
6	Deco. Board	12	Screw M6*16

SH1685FAL

Instruction Manual

Installation:

4. Put the main body up-side-down (Fig. A). Slide Deco. Board onto Base Bracket. Then slide Base and Washer onto Base Bracket respectively.
5. Fix Washer, Base and Base Bracket with Screw M6*20.
6. Stand the unit correct (Fig. B). Fix L Bracket onto Alum. Fixtures with Screw M8*8 & M4*8 Respectively. Then slide L Bracket into the holes of Control Box.
7. Fix L Bracket onto Control Box with Screw M6*16.

Operations:

5. Plug in the unit to a socket. Make sure the power supply is same as rated.
6. Press LED Lighting Switch to switch on or off the LED lighting.
7. Press Heater Switch. IR Sensor LED starts to flash. When people or other objects are inside the sensing area (within about 0.6M around the heater body), IR Sensor Indicator LED lights up, and the heating element is switched on automatically. When people or other objects leave the sensing area, the heating element is switched off after 5 seconds. IR Sensor LED starts to flash again.
8. **Note:** IR sensing distance may differ from different material and colour. If there're some mirrored material around the unit, i.e. glass mirror, stainless steel mirror, aluminium mirror, etc, the sensing distance may extend to 3.5m.
- 9.

Cautions:

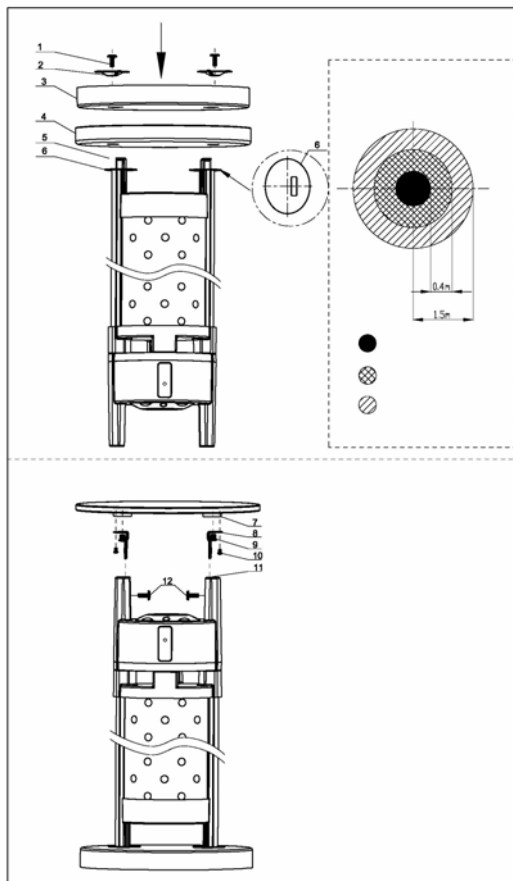
19. The unit must be placed with the clearance of 150cm at least to the wall.
20. The unit must be securely placed on a horizontal and flat surface.
21. The unit is at high temperature during operation. It keeps hot for a period after shut down. Potential danger would occur when touching it during this period.
22. Don't place the unit close to curtain and/or other flammable objects. Ohterwise there will be a danger of catching fire.

23. Don't cover the unit with anything during operation or a short time after it's shut down.
24. Don't wrap the power supply cord on the unit.
25. The unit must be handled with care, and avoid of vibration or hitting.
26. The unit must be securely grounded during operation.

27. When damaged, the unit must be repaired by professional repairing team.
28. If the supply cord is damaged, it must be replaced by the manufacturer, its service agent or similarly qualified persons in order to avoid a hazard.
29. The heater must not be located immediately below a socket-outlet.
30. When assembling, keep clear from any board or flammable material.
31. Do not use this heater with a programmer, timer or any other device that switches the heater on automatically, since a fire risk exists if the heater is covered or positioned incorrectly.
32. This appliance is not intended for use by persons (including children) with reduced physical, sensory or mental capabilities, or lack of experience and knowledge, unless they have been given supervision or instruction concerning use of the appliance by a person responsible for their safety.
33. Children should be supervised to ensure that they do not play with the appliance.
34. The unit is for household use only. It's not allowed to use in building site, greenhouses, barn or stable where there's flammable dust.
35. The head of the unit is at high temperature during operation. Unplug the unit and wait till it's cool before cleaning.
36. Don't use this heater in the immediate surroundings of a bath, a shower or a swimming pool.
37. Don't use this unit in place where causticity or volatile air exists, i.e. dust, steam, gas, etc.
38. Don't use this unit as a cloth drier or towel drier.
39. Dont' use this unit as a sauna heater.
40. Don't use this unit as a room heater of heat storing.
41. Don't use this unit in place of animal propagating and raising.
42. Don't use this unit in heating system of hot air centre.
43. Don't immerse this unit into water for cleaning.
44. The unit should be plugged in a socket, which is easily visible and reachable.
45. Two Dark points may exist on the surface of the heating elements, or the surface of the heating element may turn white during the first few minutes after it's turned on. This is normal, and may not affect the performance of the unit

Cleaning:

Unplug the unit before cleaning. It should be wiped with wet cloth. Don't use too much water.



No.	Part Name	No.	Part Name
1	Screw M6*20	7	Alum. Fixture
2	Washer	8	L Bracket
3	Base	9	Screw M8*6
4	Base Cover	10	Screw M4*6
5	Base Bracket	11	Control Box
6	Deco. Board	12	Screw M6*16

SH1265E

Instruction Manual

Installation:

8. Put the main body up-side-down (Fig. A). Slide Deco. Board onto Base Bracket. Then slide Base and Washer onto Base Bracket respectively.
9. Fix Washer, Base and Base Bracket with Screw M6*20
10. Stand the unit correct (Fig. B). Fix L Bracket onto Alum. Fixtures with Screw M8*8 & M4*8 Respectively. Then slide L Bracket into the holes of Control Box.
11. Fix L Bracket onto Control Box with Screw M6*16.

Operations:

1. Plug in the unit to a socket. Make sure the power supply is same as rated.
2. Press Heater Switch to switch on or off the heater.

Cautions:

1. The unit must be placed with the clearance of 150cm at least to the wall.
2. The unit must be securely placed on a horizontal and flat surface.
3. The unit is at high temperature during operation. It keeps hot for a period after shut down. Potential danger would occur when touching it during this period.
4. Don't place the unit close to curtain and/or other flammable objects. Otherwise there will be a danger of catching fire.
5. Don't cover the unit with anything during operation or a short time after it's shut down.
6. Don't wrap the power supply cord on the unit.
7. The unit must be handled with care, and avoid of vibration or hitting.
8. The unit must be securely grounded during operation.
9. When damaged, the unit must be repaired by professional repairing team.
10. If the supply cord is damaged, it must be replaced by the manufacturer, its service agent or similarly qualified persons in order to avoid a hazard.
11. The heater must not be located immediately below a socket-outlet.
12. When assembling, keep clear from any board or flammable material.
Do not use this heater with a programmer, timer or any other device that switches the heater on automatically, since a fire risk exists if the heater is covered or positioned incorrectly.
13. This appliance is not intended for use by persons (including children) with reduced physical, sensory or mental capabilities, or lack of experience and knowledge, unless they have been given supervision or instruction concerning use of the appliance by a person responsible for their safety.
15. Children should be supervised to ensure that they do not play with the appliance.
16. The unit is for household use only. It's not allowed to use in building site, greenhouses, barn or stable where there's flammable dust.
17. The head of the unit is at high temperature during operation. Unplug the unit and wait till it's cool before cleaning.
18. Don't use this heater in the immediate surroundings of a bath, a shower or a swimming pool.
19. Don't use this unit in place where causticity or volatile air exists, i.e. dust, steam, gas, etc.
20. Don't use this unit as a cloth drier or towel drier.
21. Don't use this unit as a sauna heater.
22. Don't use this unit as a room heater of heat storing.
23. Don't use this unit in place of animal propagating and raising.
24. Don't use this unit in heating system of hot air centre.
25. Don't immerse this unit into water for cleaning.
26. The unit should be plugged in a socket, which is easily visible and reachable.
27. Two Dark points may exist on the surface of the heating elements, or the surface of the heating element may turn white during the first few minutes after it's turned on. This is normal, and may not affect the performance of the unit

Cleaning:

Unplug the unit before cleaning. It should be wiped with wet cloth. Don't use too much water.

**VERIFICATION OF LVD COMPLIANCE**

No.: LVD GLESO091003534HS
Applicant: Zhongshan Scientec Electrical Manufacturing Co., Ltd.
42 Industrial Avenue, Nantou, Zhongshan, Guangdong, China
Manufacturer: Same as applicant
Product Name: Patio heater
Product Description: Visibly glowing radiant heater
Model No.: See page 2
Rating: See page 2
Protection against Electric Shock: Class I
Degree of Protection: IP24
Additional Information (if any): —

Sufficient samples of the product have been tested and found to be in conformity with

Test Standard: EN 60335-2-30: 2003 + A1: 2004 + A2: 2007
EN 60335-1: 2002 + A11 + A1 + A12 + A2 + A13
EN 62233: 2008

as shown in the

Test Report Number(s): GLESO09100353401

This Verification of LVD Compliance has been granted to the applicant based on the results of tests, performed by Laboratory of SGS-CSTC Standards Technical Services Co., Ltd. on sample of the above-mentioned product in accordance with the provisions of the relevant specific standards and the Low Voltage Directive 2006/95/EC. The CE marking as shown below can be affixed, under the responsibility of the manufacturer, after completion of an EC Declaration of Conformity and compliance with all relevant EC Directives. The affixing of the CE marking presumes in addition that the conditions in annexes III and IV of the Directive are fulfilled.

Jeff Zhao
Laboratory Manager
SGS-CSTC



January 11, 2010

Copyright of this verification is owned by SGS-CSTC Standards Technical Services Co., Ltd. and may not be reproduced other than in full and with the prior approval of the General Manager. This verification is subjected to the governance of the General Conditions of Services, printed overleaf.

Member of SGS Group (Société Générale de Surveillance)



No.: LVD GLESO091003534HS

Model No.:
SH2085xyz, SH1885xyz, SH1685xyz, SH1675xyz, SH1475 xyz, SH1275xyz, SH1565xyz, SH1265xyz,
SH1065xyz

For SH2085 xyz, SH1885xyz, SH1685 xyz, SH1675xyz, SH1475F xyz, SH1275xyz, SH1565xyz:
x=F means size of glass/metal table desk: D=40cm, base: D=28cm
x=G means size of glass/metal table desk: D=50cm, base: D=40cm

For SH1265xyz, SH1065xyz:
x=F, x=G, x=E means size of glass/metal table desk: D=32cm, base: D=28cm

For SH1685xyz, SH1475xyz, SH1275xyz, SH1265xyz, SH1065xyz:
y=NIL means without extra feature (NIL could be means by blank)
y=L means with LED lamp
y=A means with infrared induction
y=AL means with infrared induction and LED lamp

For SH2085xyz, SH1885xyz, SH1675xyz, SH1565xyz:
y=NIL means without extra feature
y=L means with LED lamp

For all models:
z=NIL means glass table top
z=SS means metal table top

Rating:
220 V - 240 V; 50 Hz;
SH2085xyz: 1700 W - 2000 W;
SH1885xyz: 1500 W - 1800 W;
SH1685xyz, SH1675xyz: 1350 W - 1600 W;
SH1475xyz: 1200 W - 1400 W;
SH1275xyz, SH1265xyz: 1000 W - 1200 W;
SH1565xyz: 1250 W - 1500 W;
SH1065xyz: 850 W - 1000 W

Jeff Zhao
Laboratory Manager
SGS-CSTC

January 11, 2010



•
Sunwind Gylling AS • Postboks 64 • N-1309 RUD • Norge
Rudssletta 71-75 • N-1351 RUD • Norge
(+47) 67 17 13 70
post@sunwind.no

Sunwind Gylling AB • Vendevägen 90 • S-182 32 DANDERYD • Sverige
(+46) 8-544 98 994

Sunwind Gylling OY • Niemeläntie 1. • Kaarina
FIN-20780
(+358) 2236 1515