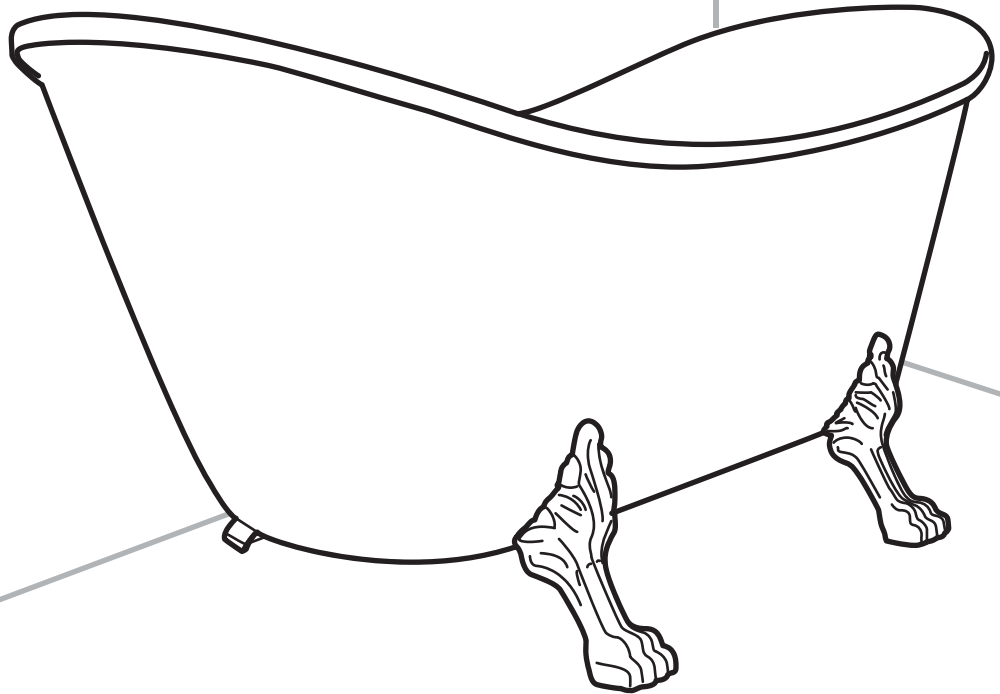


# NORO



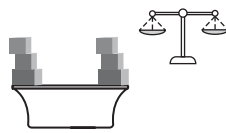
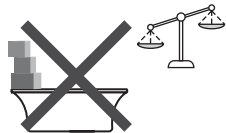
## Getting Start:



2 people are recommended to assemble

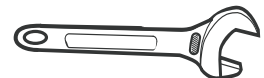
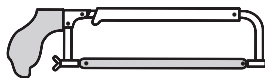


Gloves are recommended



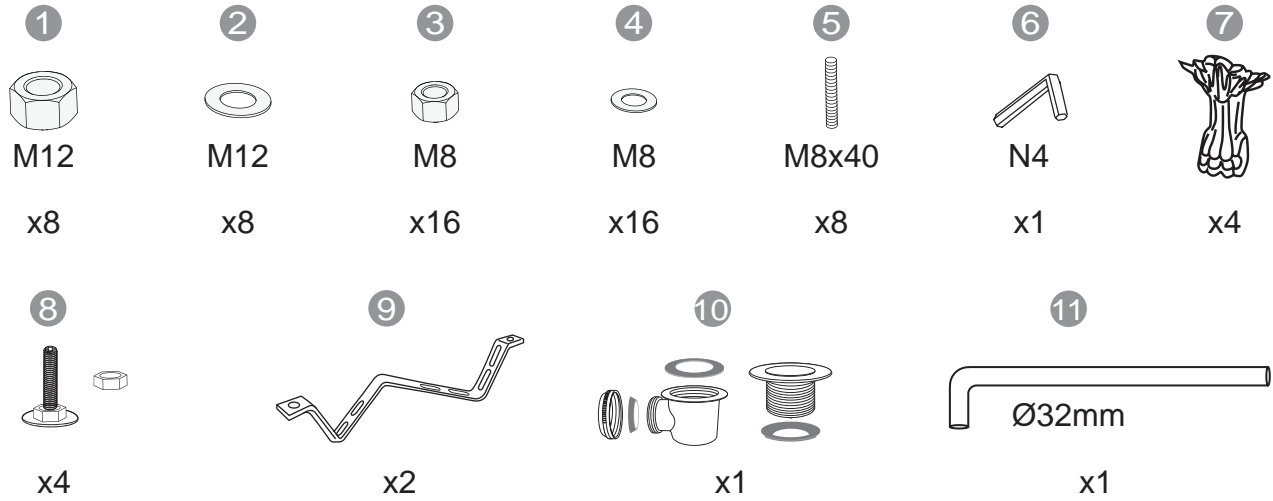
**WARNING!**  
Do not sit or lean on the edges of the bathtub.  
Uneven weight may cause bathtub to over turn on one side.

## Tools Needed:



# SUNDBORN

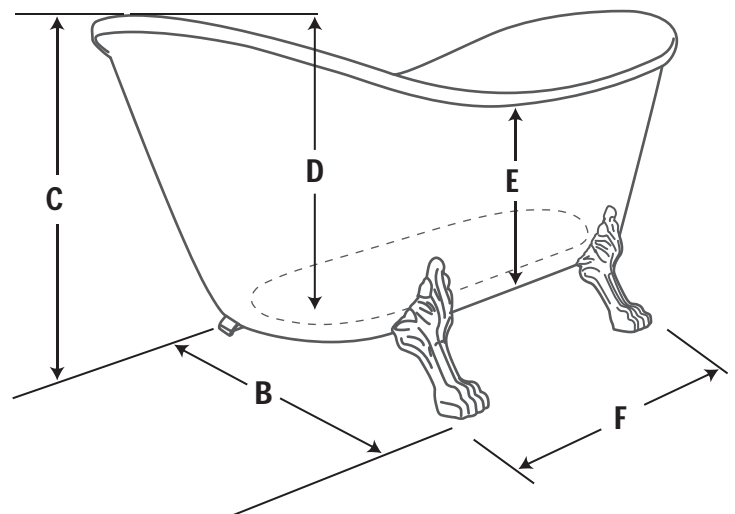
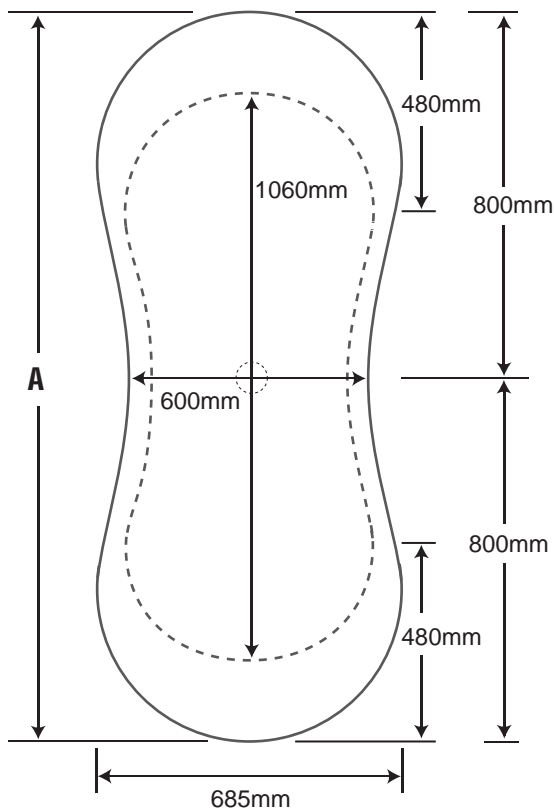
## Parts:



## Spare part list:

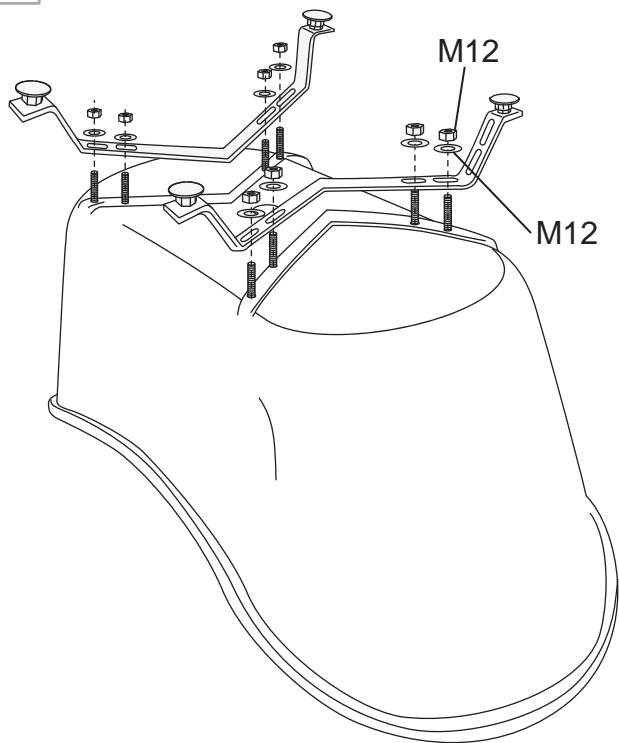
Drawing Nr.	Art Nr.	Description	Unit	Drawing Nr.	Art Nr.	Description	Unit
1	9444-G	M12 screw nut	pc	7	9444-B	Lion feet	pc
2		M12 washer	pc	8	9444-C	Bathtub bottom feet	pc
3		M8 screw nut	pc	9	9444-A	Supporting rack bar	pc
4		M8 washer	pc	10	9444-D	Pop-up drainage top and down part	set
5		Screw bolt	pc	11	9444-F	32mm L-shape tube	pc
6		Allen key (N4)	pc				

## Measurement:

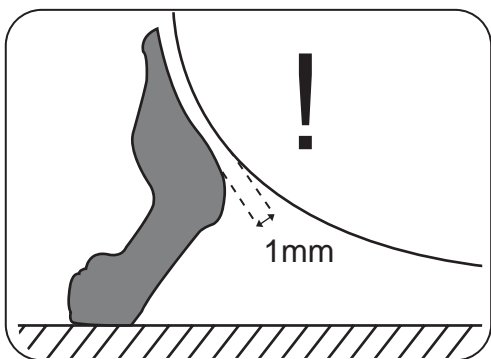
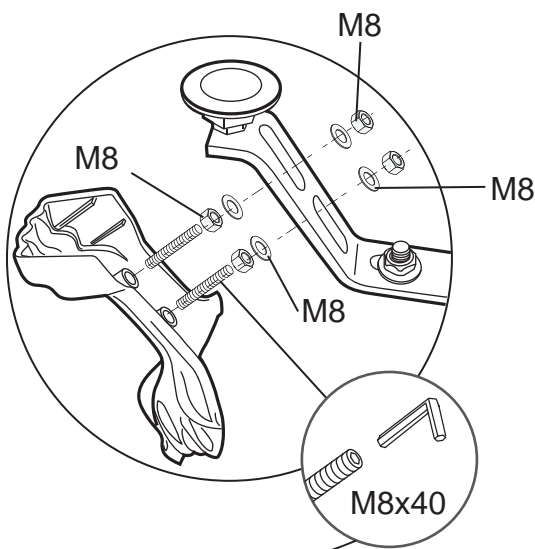
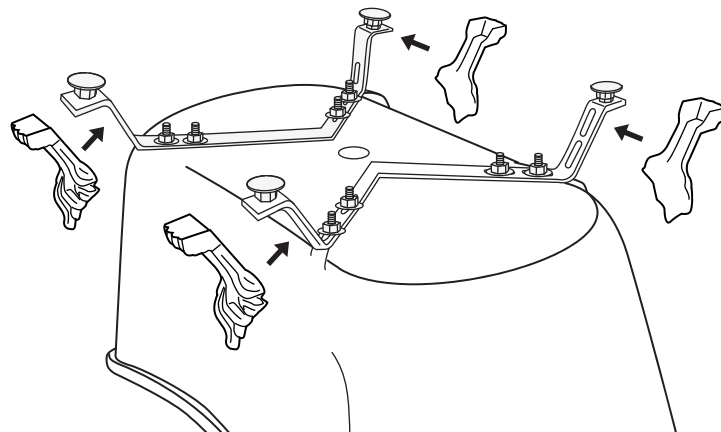


<b>A</b>	<b>B</b>	<b>C</b>
1600mm	730mm	795mm
<b>D</b>	<b>E</b>	<b>F</b>
595mm	445mm	1000mm

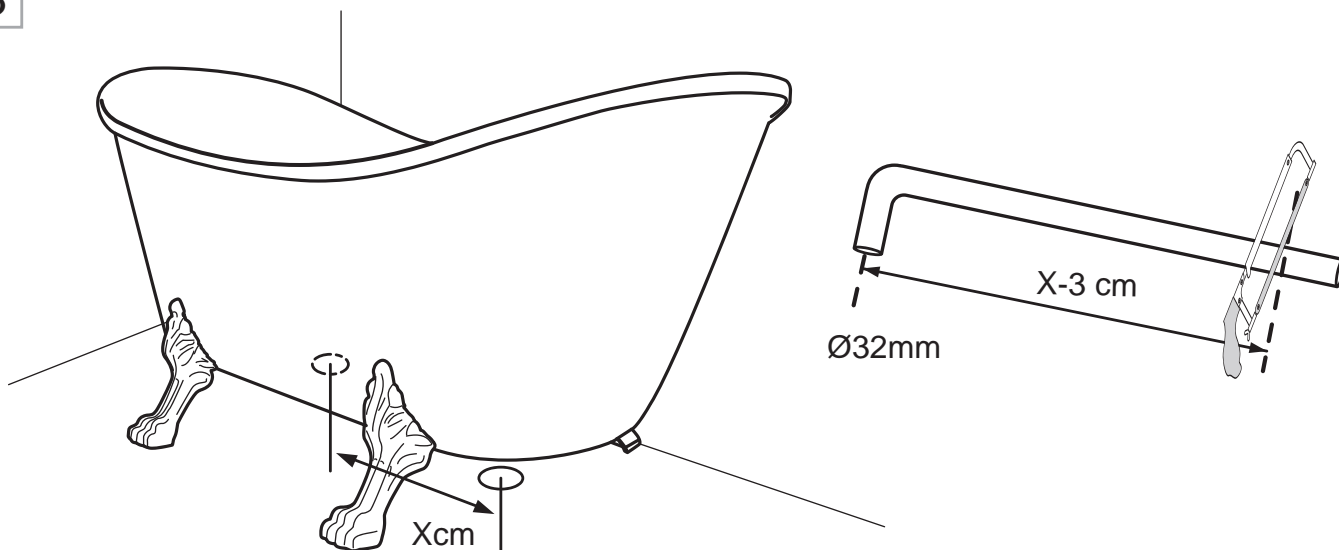
1



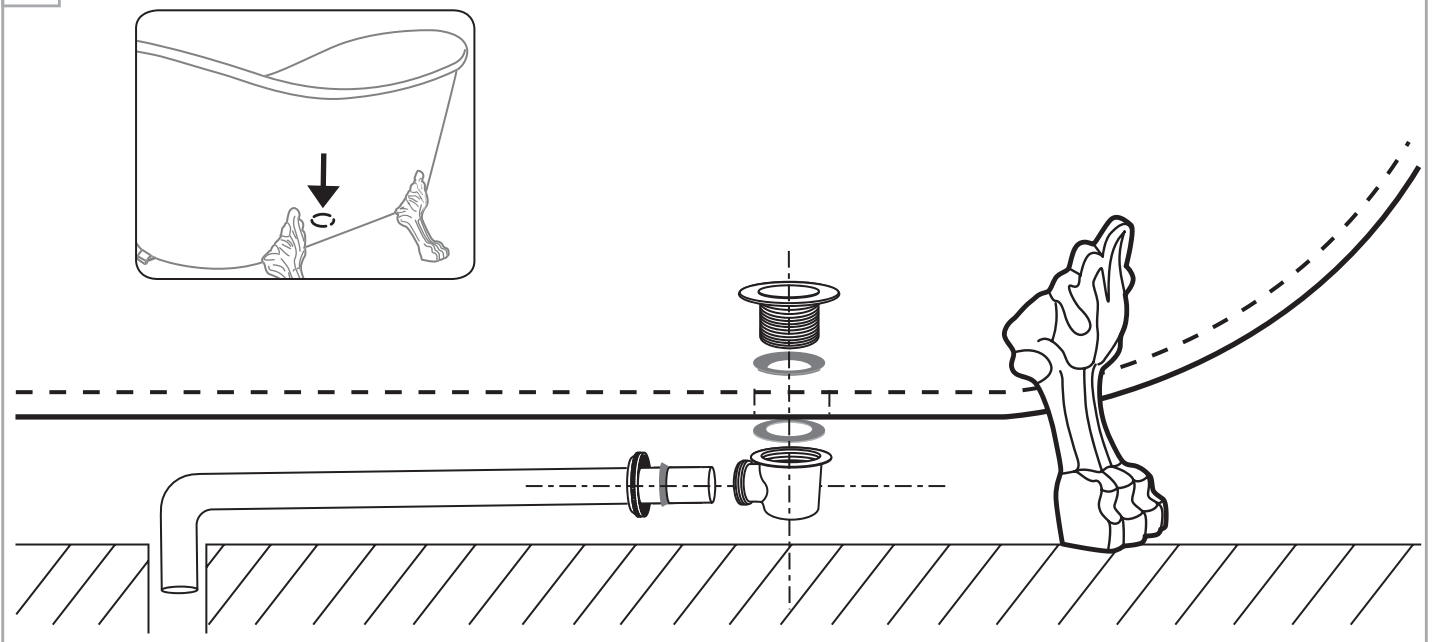
2



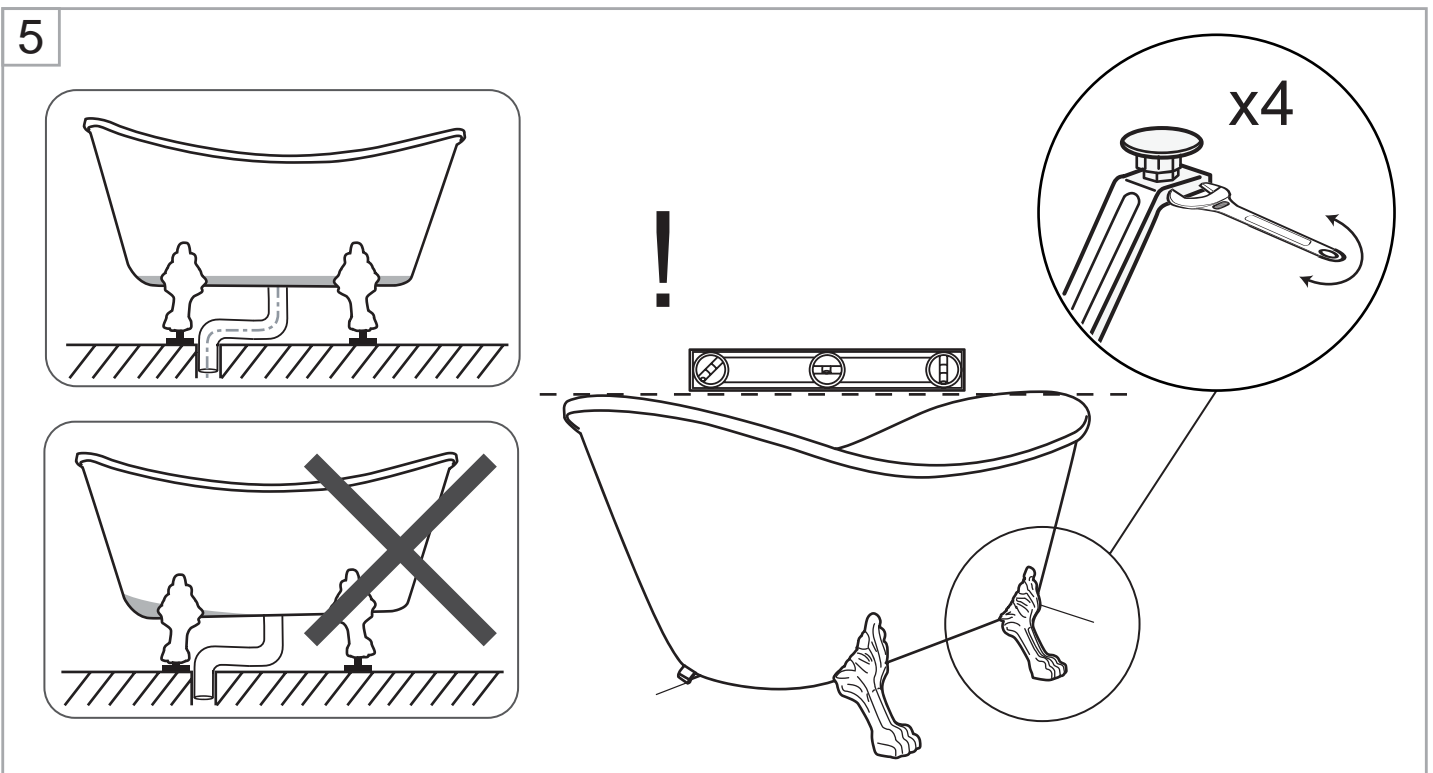
3



4



5



# SUNDBORN

## Noro Scandinavia

035 166430 **SE**  
info@noro.se

020 7435740 **FI**  
info@norokylpyhuone.fi

692 36170 **NO**  
info@noro.se

070 252822 **DK**  
info@noro.se

Ver.002