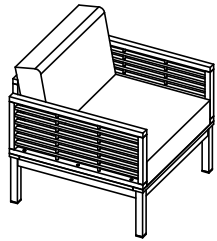


# DESCRIPTION

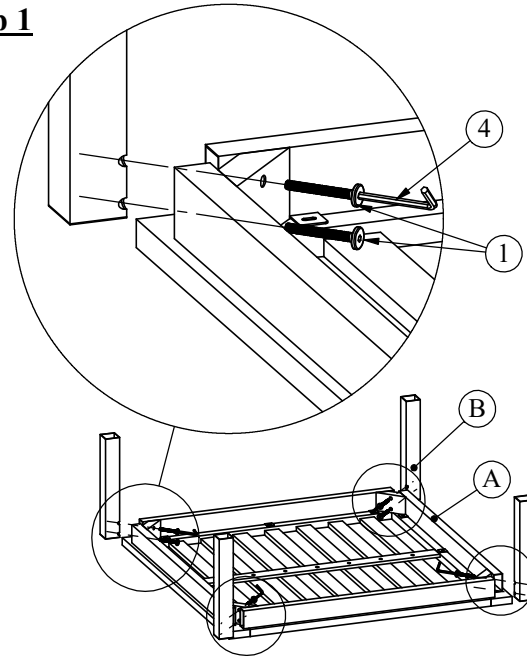


No	Part Image	Q.ty
(A)		1
(B)		4
(C)		1
(D)		1
(E)		1
(F)		1
(G)		1

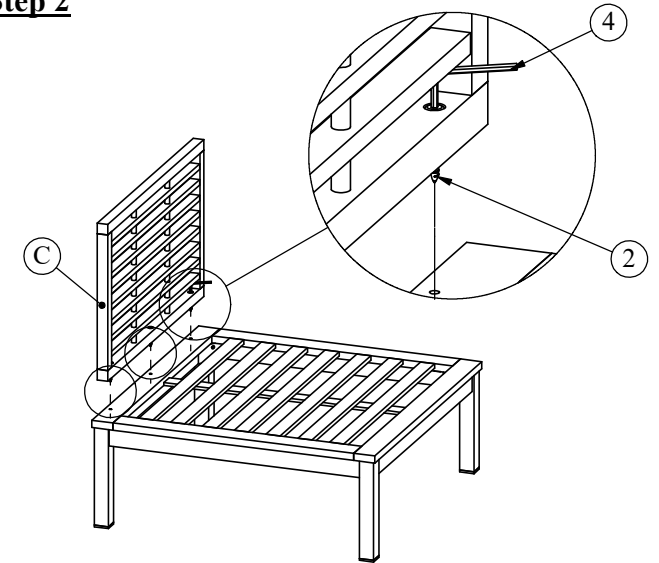
No	Part Image	Part Name	Q.ty
(1)		Bolt M6x60	8
(2)		Screw 6x40	9
(3)		Screw 6x55	2
(4)		4 Allenkey	1

# ASSEMBLY INSTRUCTION

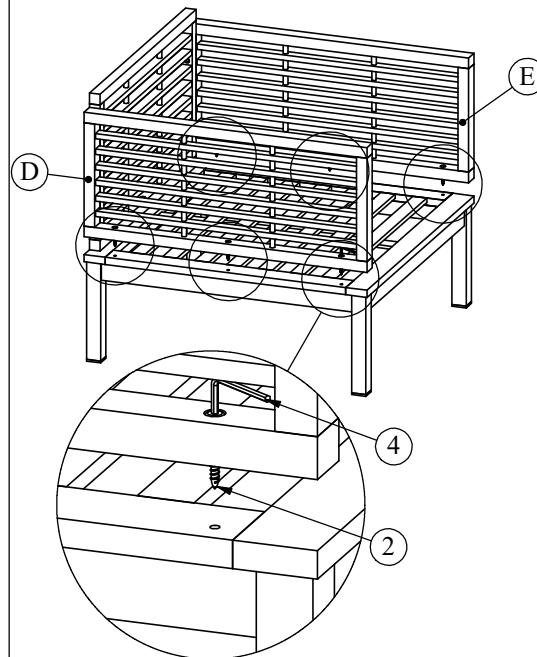
## Step 1



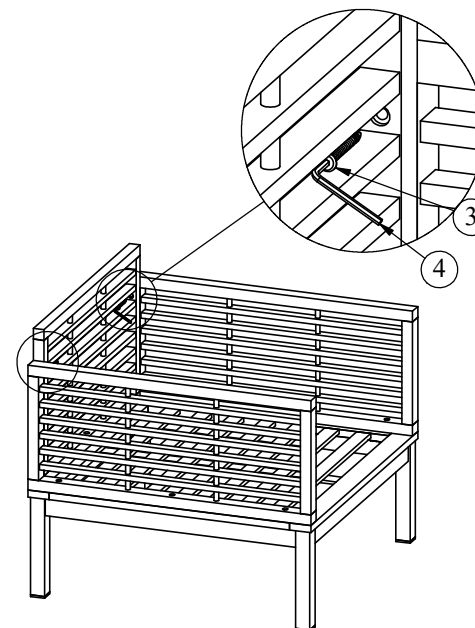
## Step 2



## Step 3



## Step 4



## Finish

