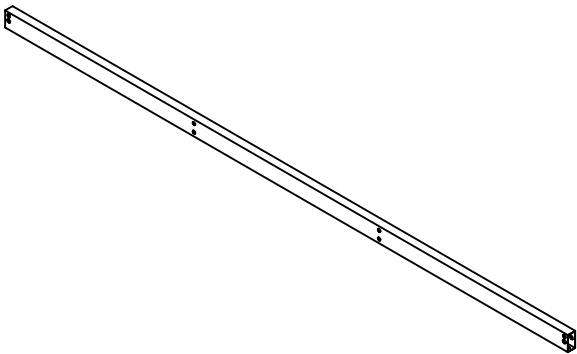
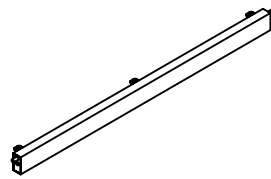


mm
inch
x1

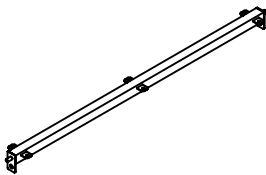
Ax2



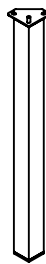
Bx2



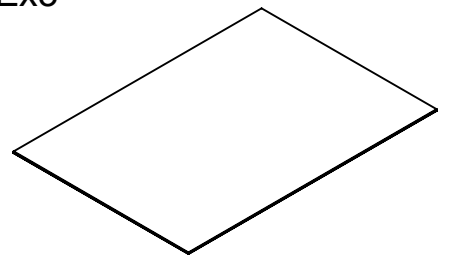
Cx2



Dx4



Ex3

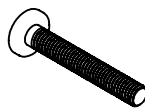


① x12



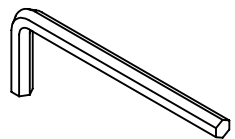
M6x $\frac{20}{0.79}$

② x4



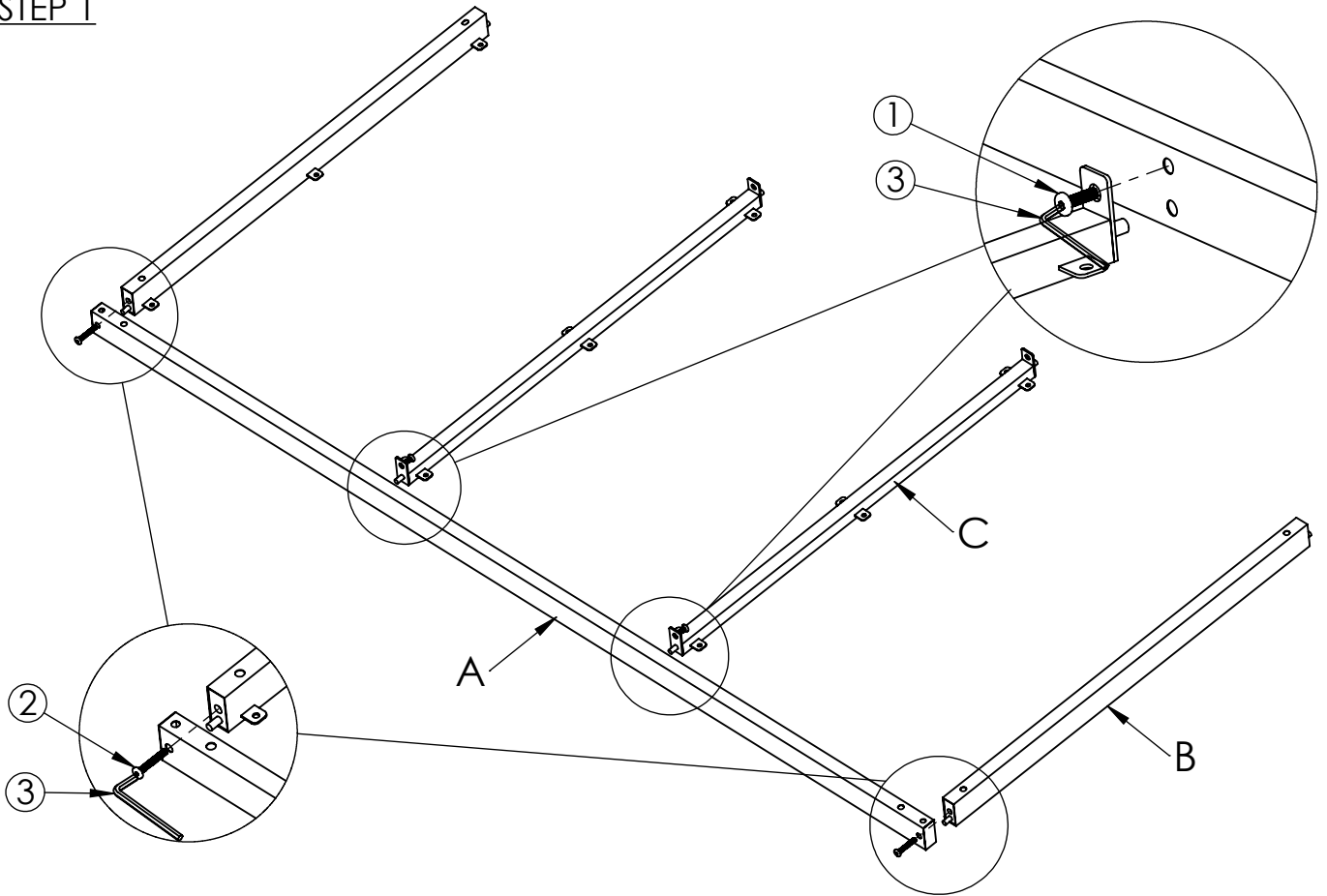
M6x $\frac{40}{1.57}$

③ x1

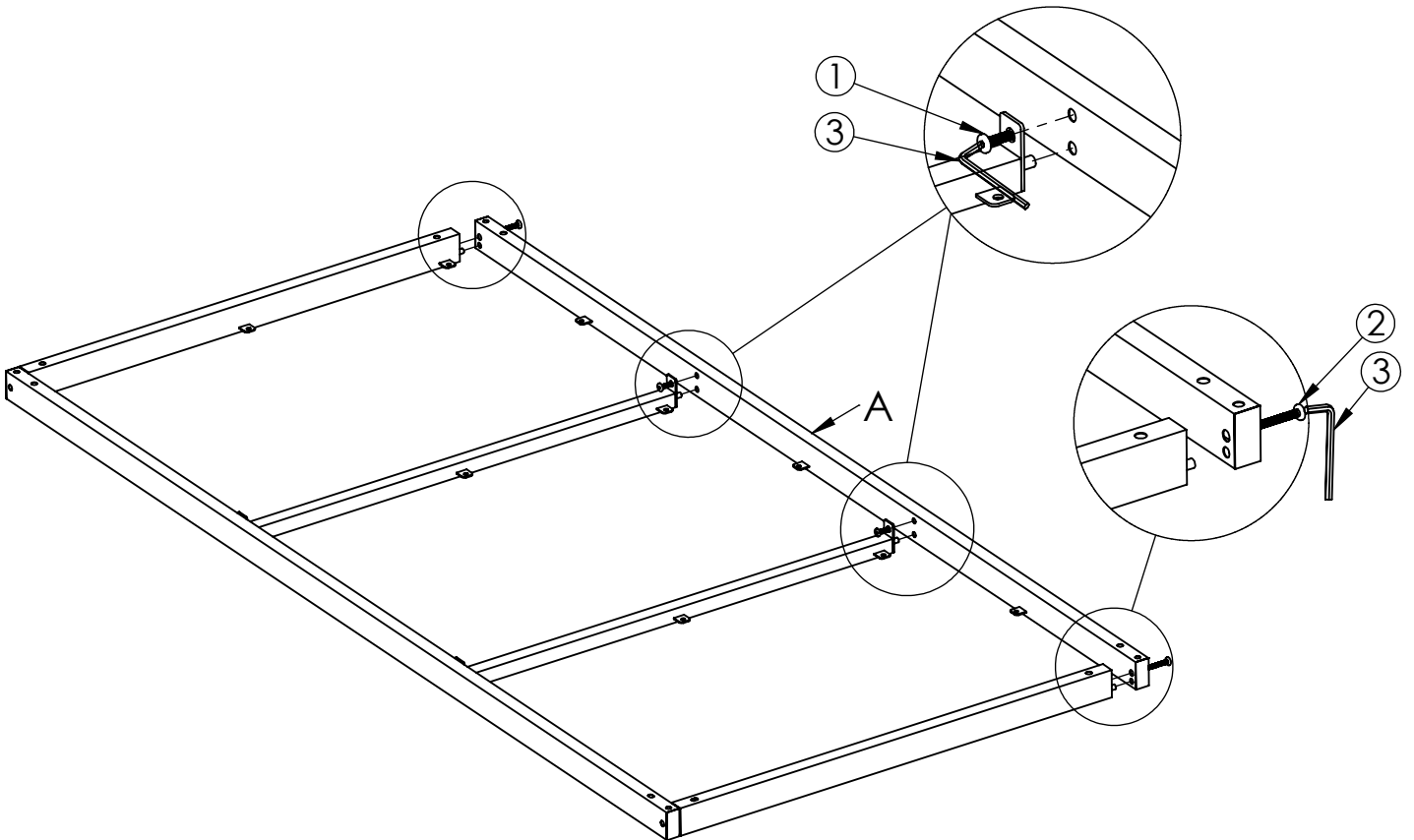


M6

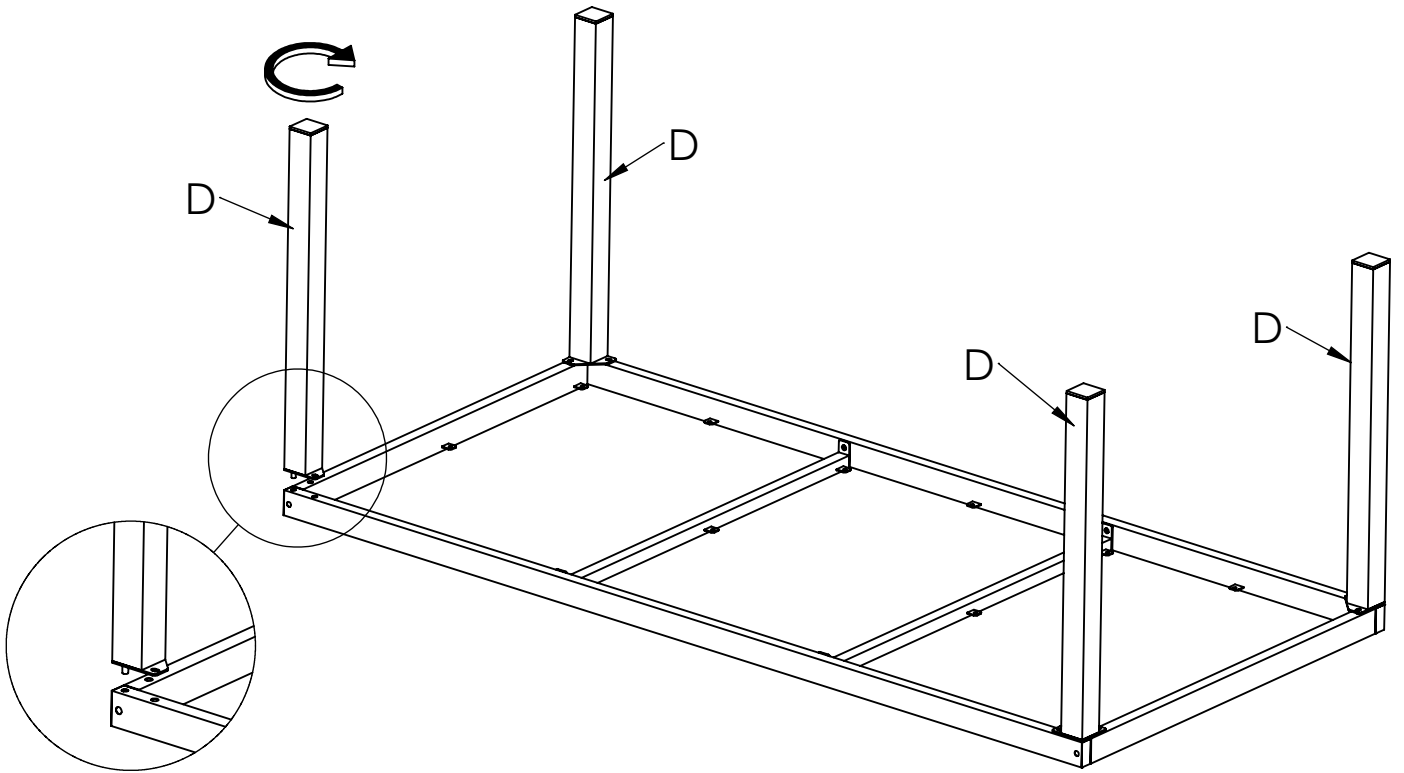
STEP 1



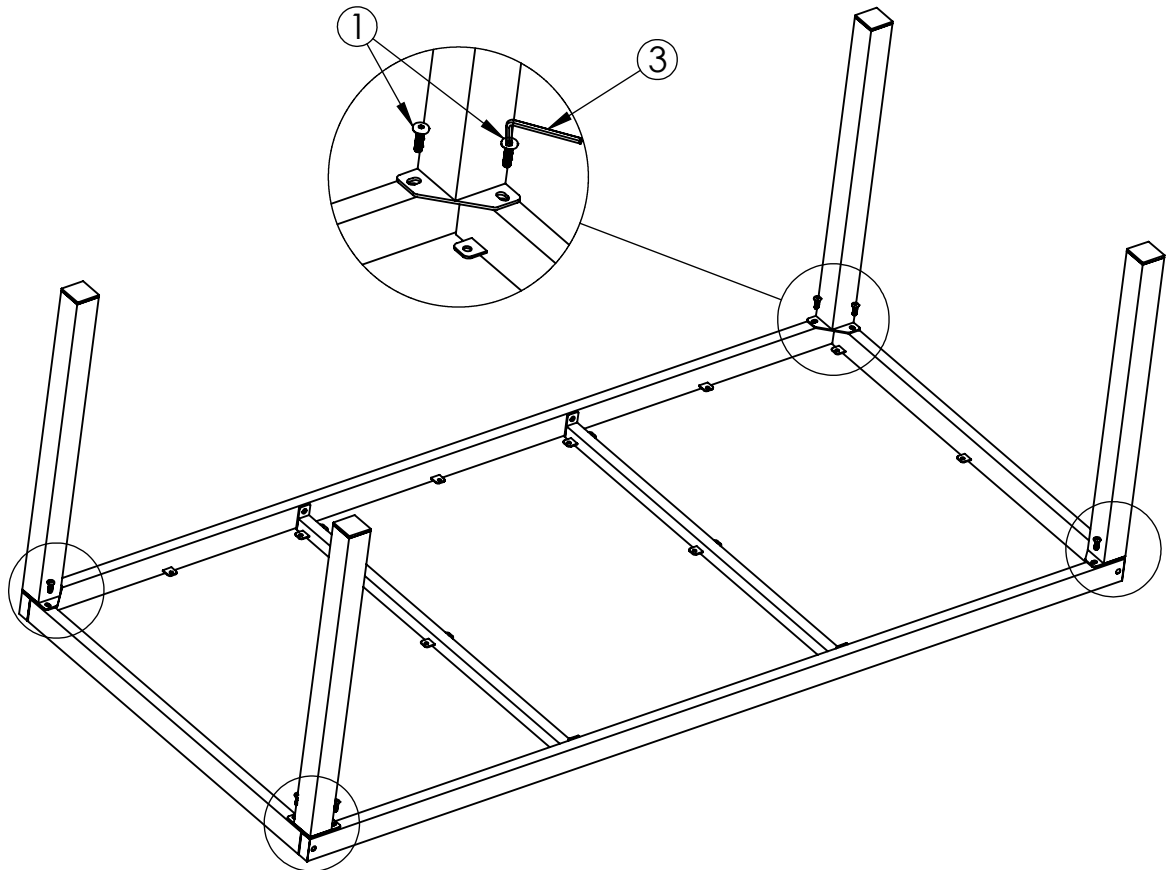
STEP 2

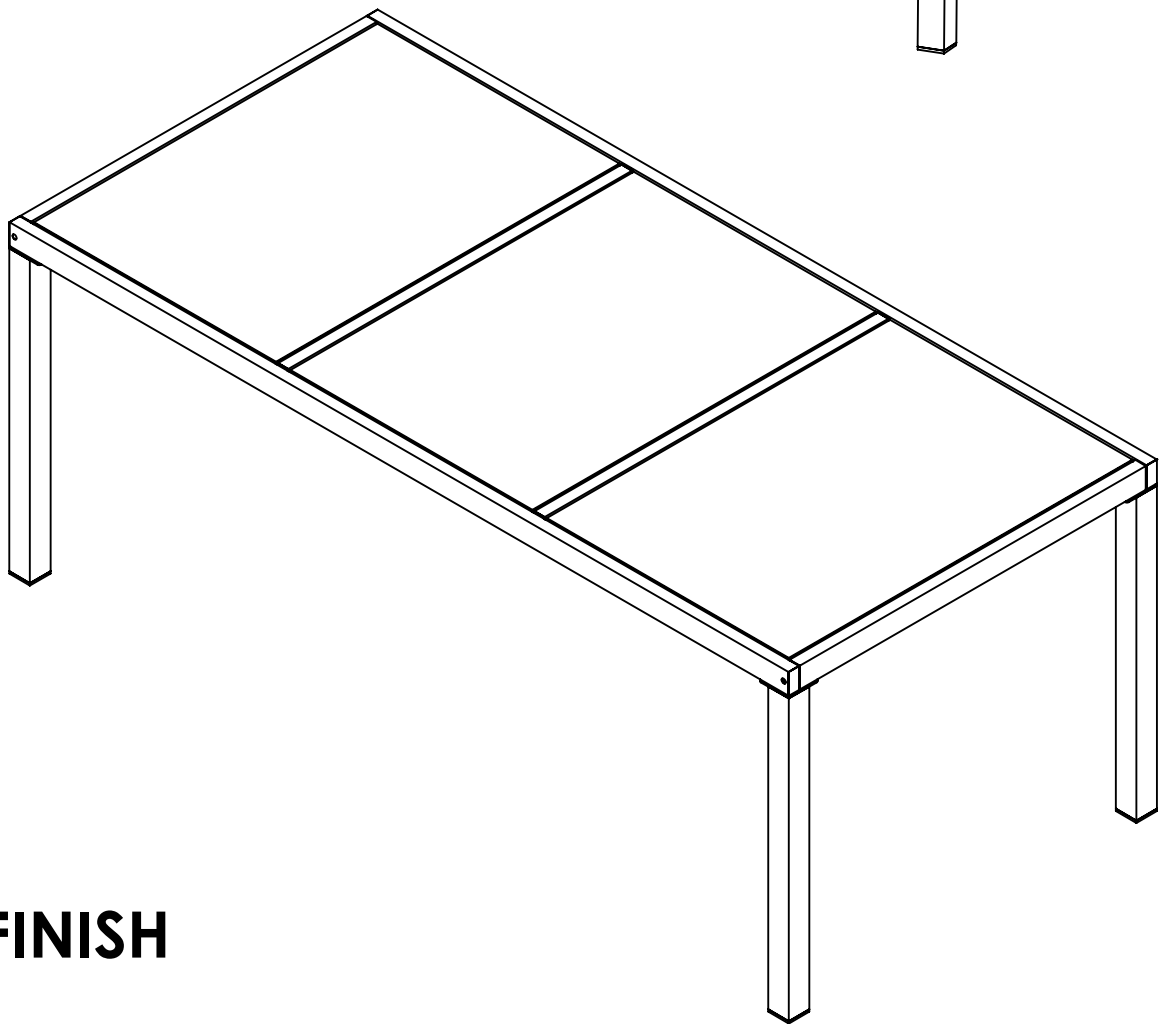
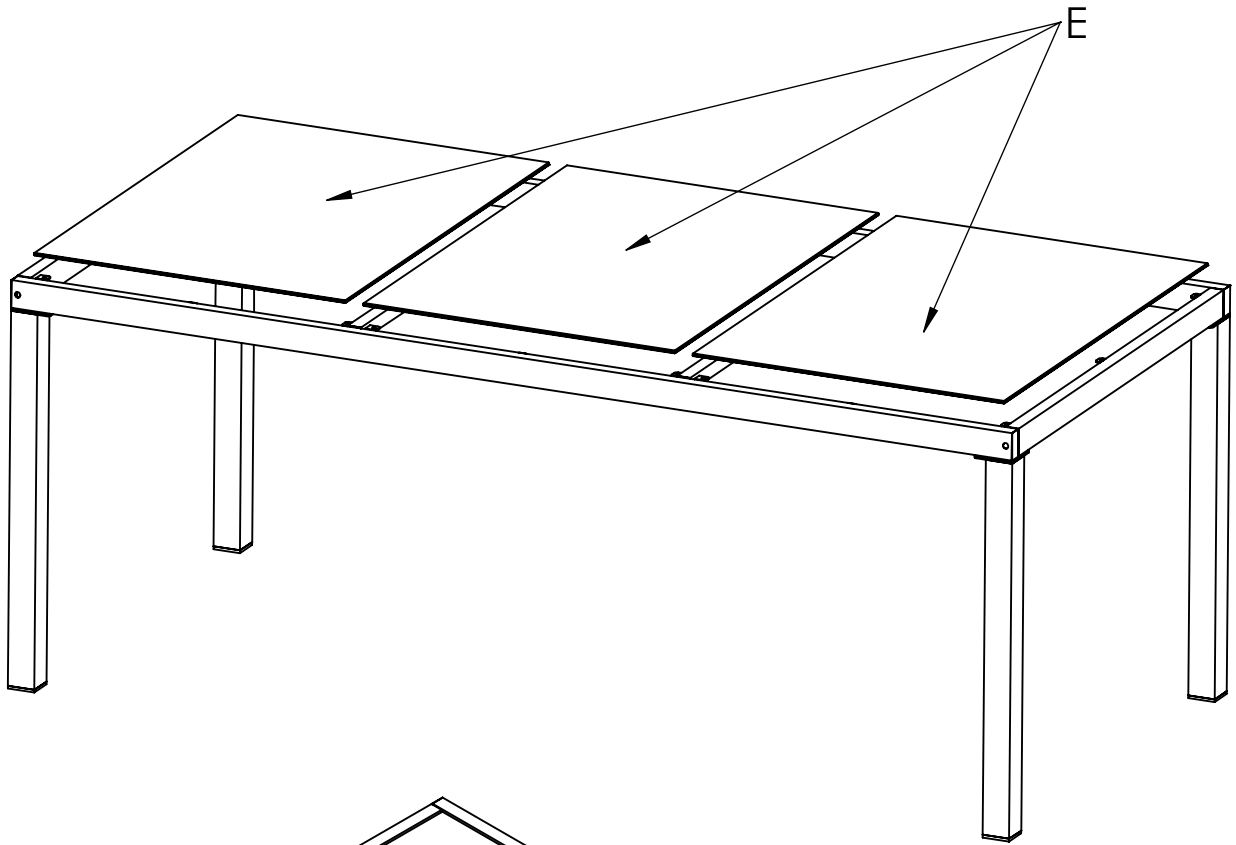


STEP 3



STEP 4





FINISH