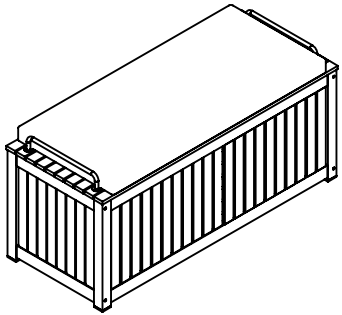


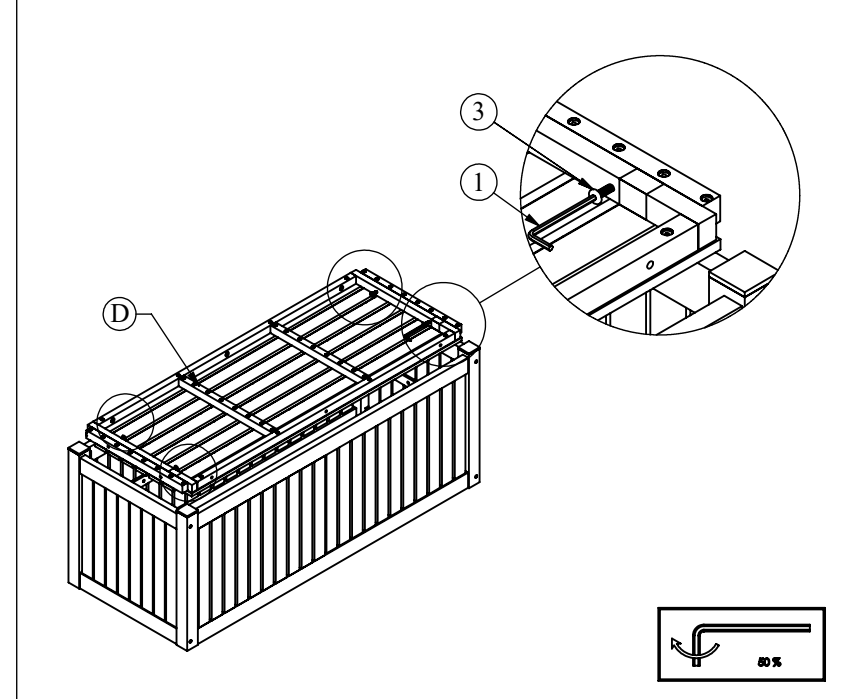
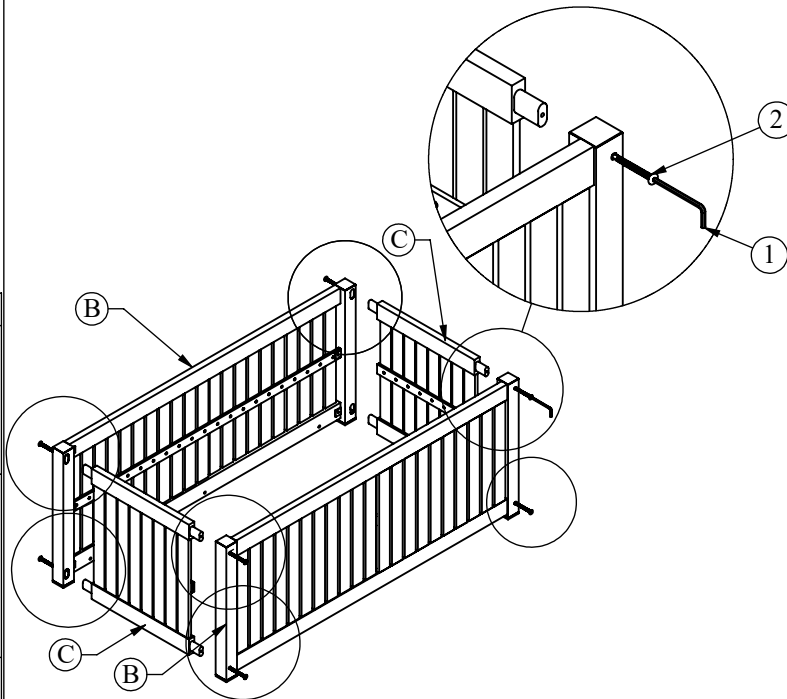
DESCRIPTION



Step 1

ASSEMBLY IN STRUCTION

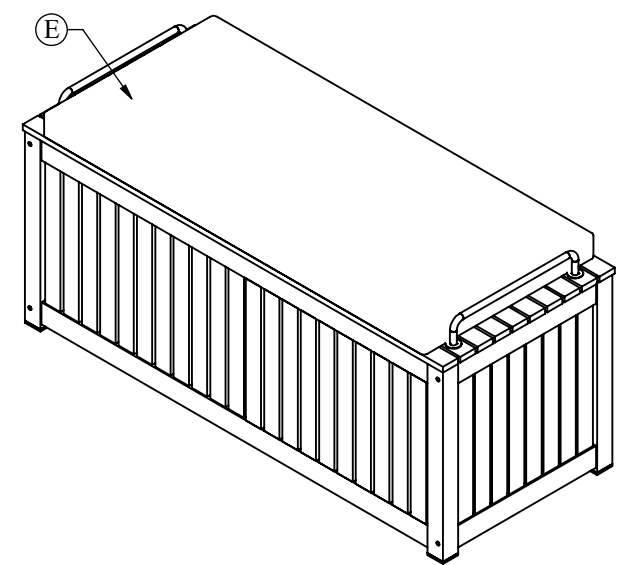
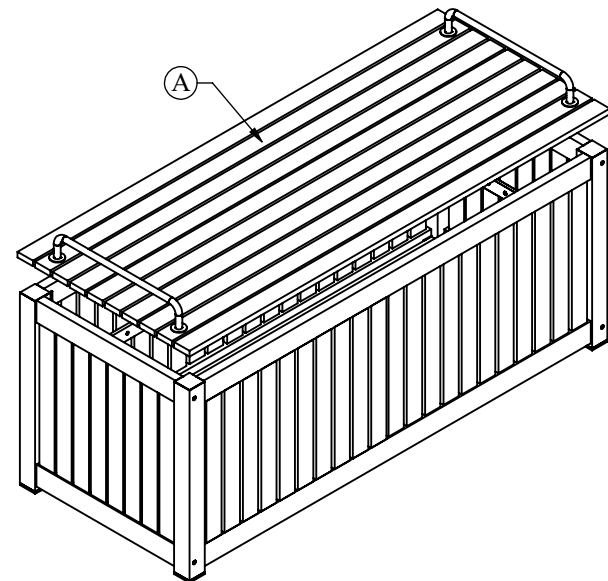
Step 2



No	Part Image	No
(A)		1
(B)		2
(C)		2
(D)		1
(E)		1

Step 3

Finish



No	Part Image	Part Name	No
(1)		4 Allenkey	1
(2)		Screw 6x45	8
(3)		Screw 6x35	4