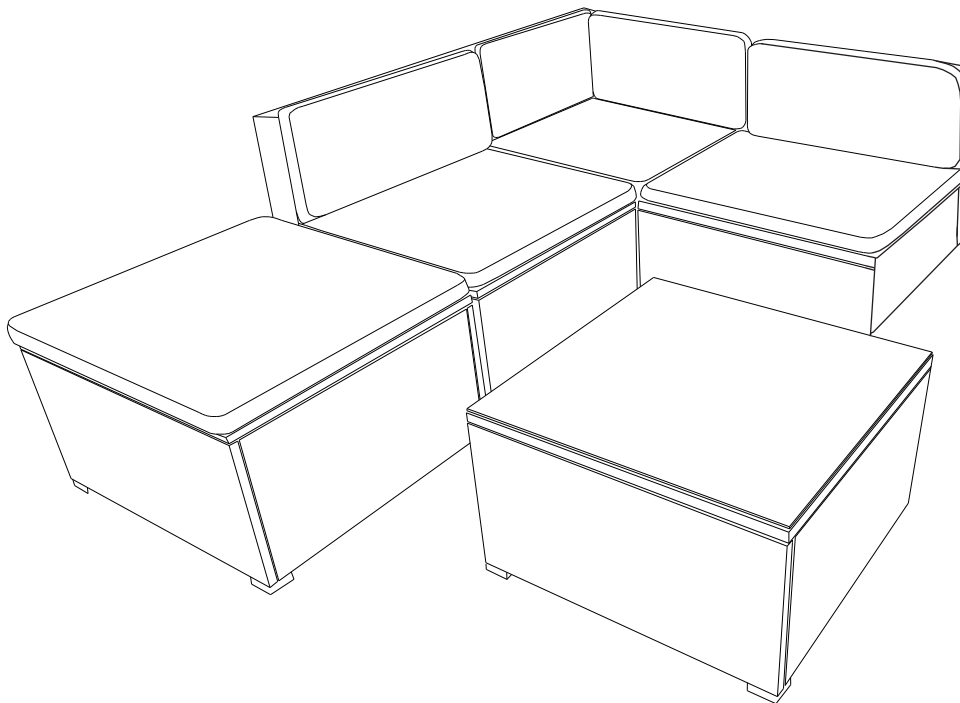


ASSEMBLY MANUAL

Lyfco® 



SKU: 166-1-11

MODEL NAME: Kungshamn

Konsumentkontakt

Arc E-commerce AB

Box 3124

13603 Haninge

Attention! Please note that at first all screws should be inserted slightly by hand! Turn 2-3 times so that the screw grips on its own and connects all elements loosely. The screws must only be driven in tightly when all elements are connected with each other in this way. Otherwise the setup won't be possible. Only by driving them in tightly afterwards, small deviations of the borehole or the welded joints, which always occur with handcrafted products, can be compensated.

Notes on an optimized assembly:

Before you completely tighten the screws, check carefully all the screws and tighten them (only) to the extent that the product remains (especially chairs or loungers) still under load. If you are sure that your product can withstand load, place it on a solid, level ground and put some weight on it, please carefully and always with cushions. The various components can then align with each other. Then tighten completely the screws. Thus you achieve an optimal alignment of the product and prevent wobbling. Don't sit, find

Your new product was made by hand. Slightly irregularities are rather seen as a quality attribute than as a reason for complaints.

Tip: Always fully insert the hex key inside designated notch of screw.



If you don't do that and slip out of the screw, the screw will suffer damage and it can cause the screw head to become round inside you won't be able to find grip with the hex key anymore!

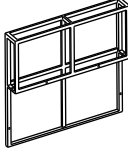
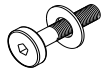
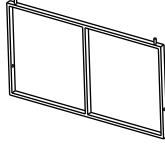
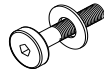
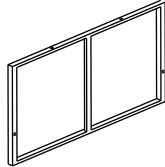
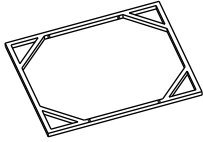
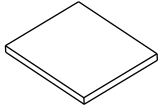
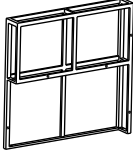
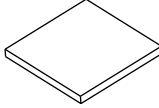
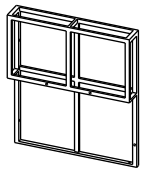
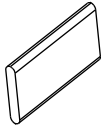
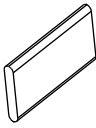
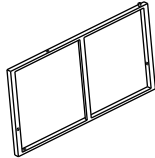
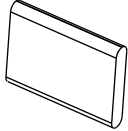
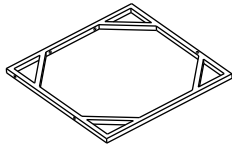
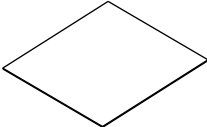
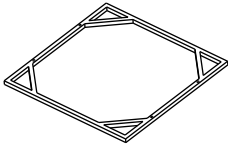
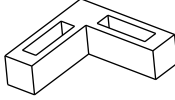
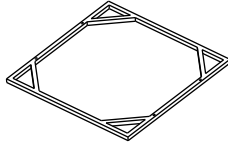
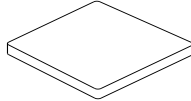
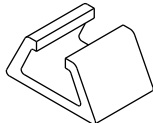
✘ DONT'S

Don't use this product if parts are missing, damaged or worn down.

Don't use any electronic tools to set up these product. The high energy of these electronic tools will cause screw overtighten and therefore they won't grip.

Don't overtighten screws or bolts. Only tighten the screws entirely after the product is completely set up. You shouldn't sit or stand on it.

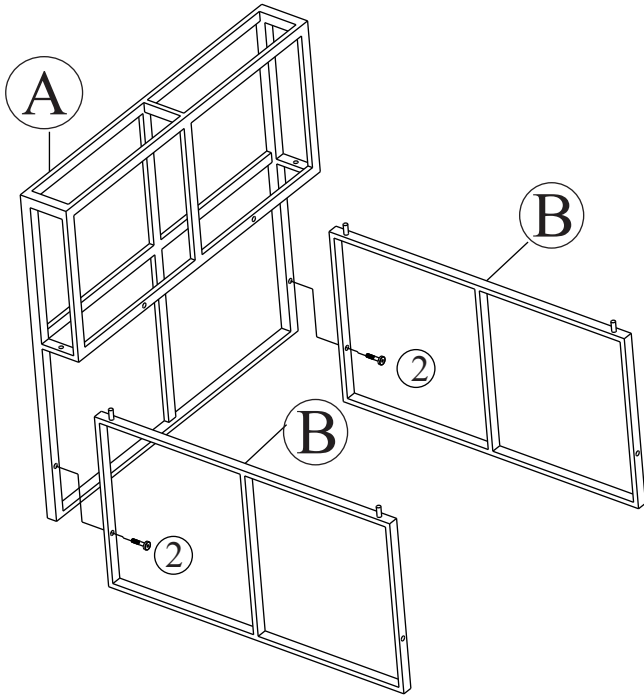
Don't let your product stand in the rain. Protect it from weather impacts. In times of freeze and over the winter, we suggest you to store the product in a covered dry place.

<u>Component</u>			<u>Hardware</u>				
A		2pcs	1		11 pcs		
Back Frame			M6 x 40				
B		9pcs	2		31 pcs		
Panel Frame B			M6 x 30				
C						6pcs	3
Panel Frame C	M6 x 25						
D		2pcs	4		2 pcs		
Seat Frame			Seat Cushion				
E		1pc	5		1 pc		
Right Back Frame			Seat Cushion Corner				
F		1pc	6		2 pcs		
Left Back Frame			7				1 pc
G			Big Cushion Corner				
H		1pc	8		1 pc		
Panel Frame			Small Cushion Corner				
I		1pc	9		1 pc		
Seat Frame H			Table Glass				
J		2pcs	10		20 pcs		
Table Top Frame			Sofa Leg				
K		1pc	11		1 pc		
Stool Top Frame			12				6 pcs
			Sofa Connector				

Allen key(1pc) 

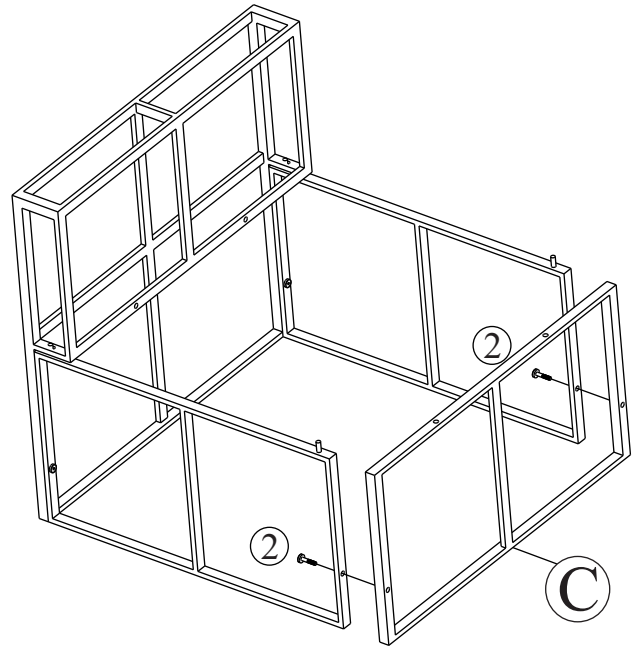
STEP 1(Chair Assembly)

Connect 2x Panel Frame B(B) & Back Frame(A) with Bolt (2) & Allen key.



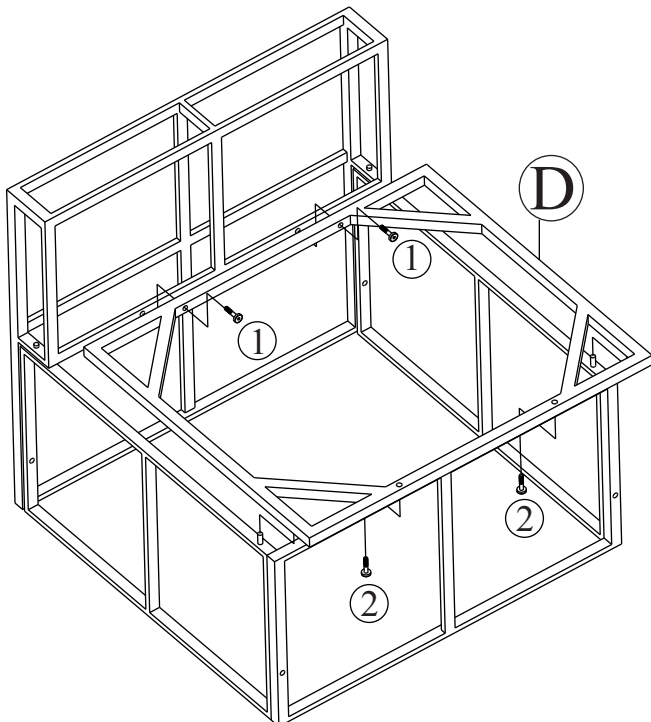
STEP 2

Connect the part from STEP 1 & Panel Frame C (C) with Bolt (2) & Allen key.



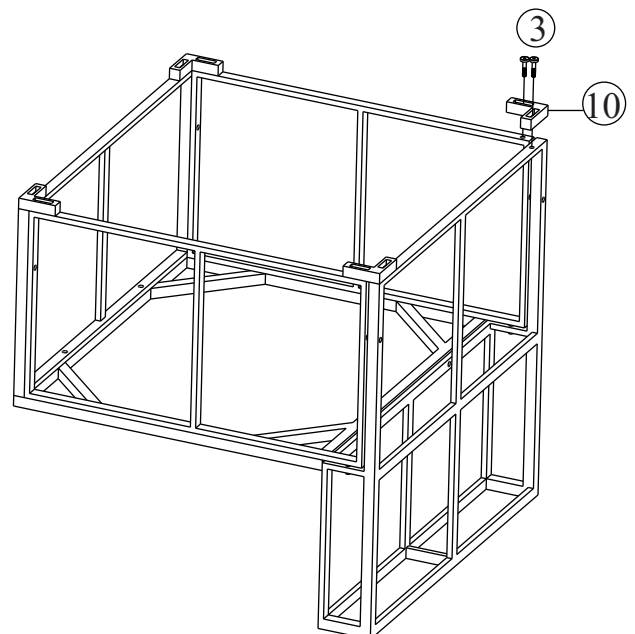
STEP 3

Connect the part from STEP 2 & Seat Frame (D) with Bolt (1) & (2) with Allen key.



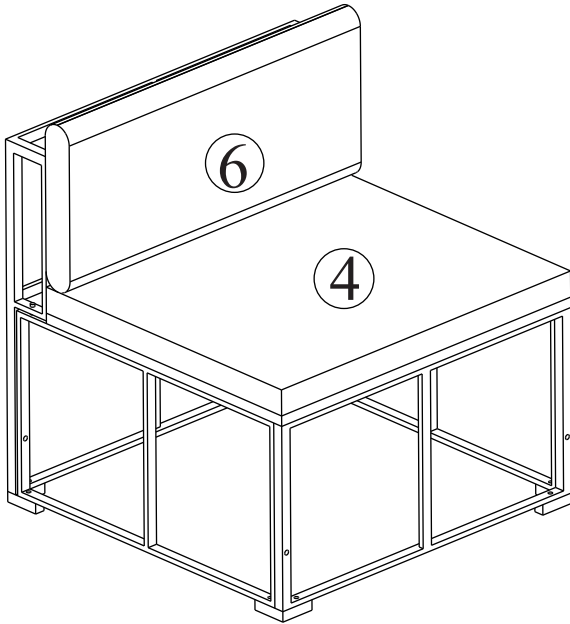
STEP 4

Overturn the part from STEP 3 & Connect the Sofa Leg(10) with Bolt (3) & Allen key.



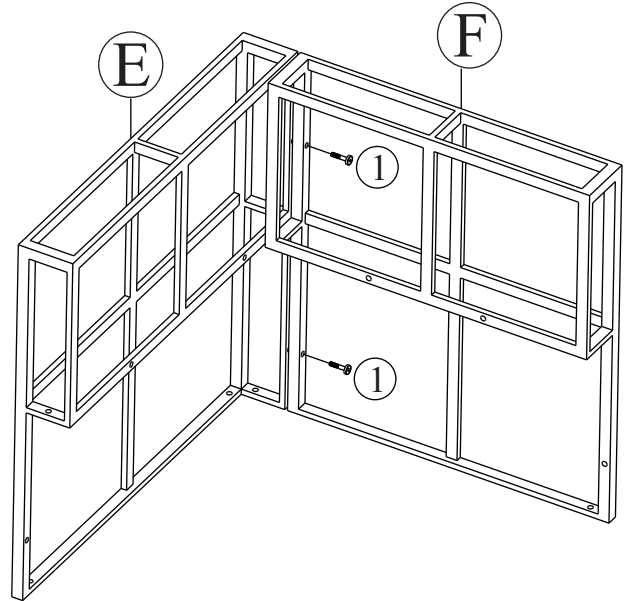
STEP 5

Put on Seat Cushion (4) & Back Cushion(6) to complete the chair.



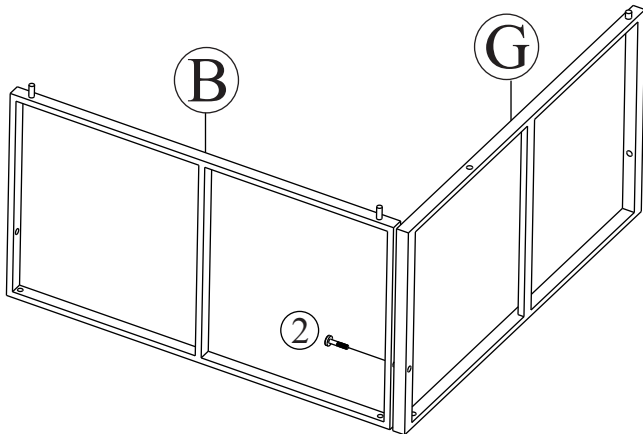
STEP 6 (Corner Sofa Chair Assembly)

Connect Right Back Frame (E) & Left Back Frame (F) with Bolt (1) & Allen key



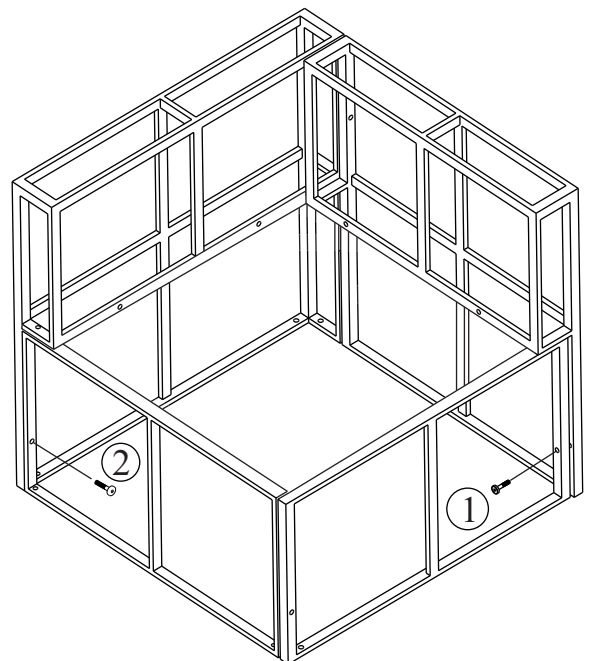
STEP 7

Connect Panel Frame B(B) & Panel Frame (G) with Bolt (2) & Allen key.



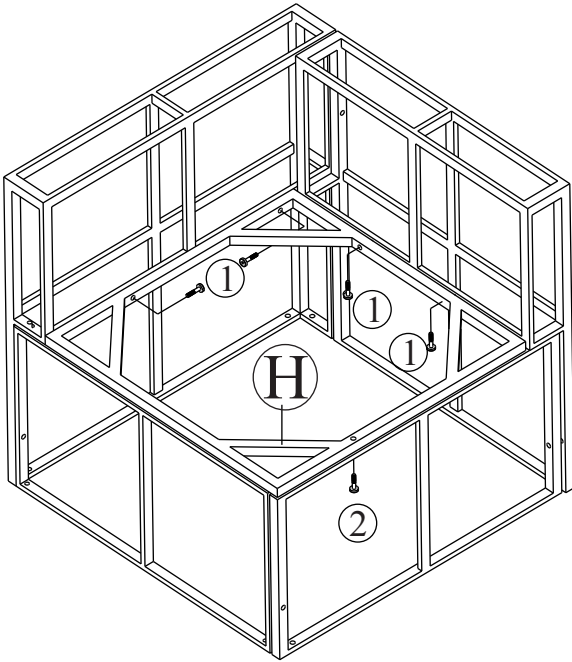
STEP 8

Connect the part from STEP 6 & STEP 7 with Bolt (1),(2) & Allen key.



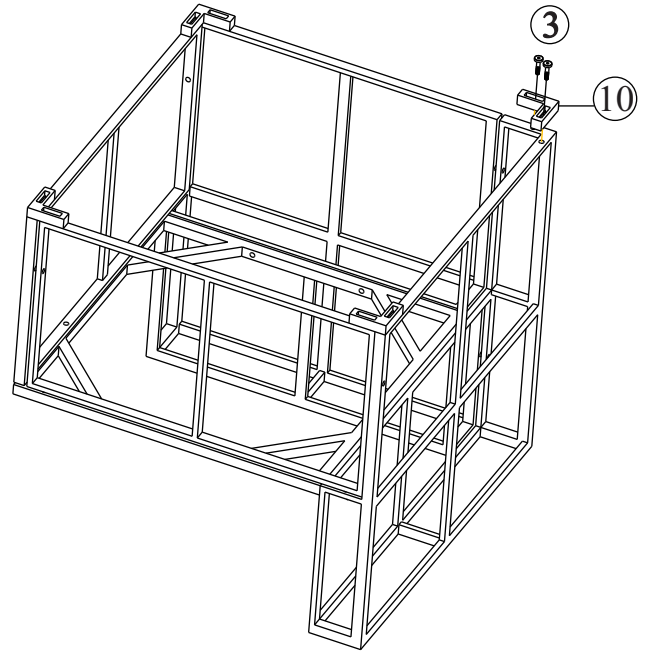
STEP 9

Connect the part from STEP 8 & Seat Frame H (H) with Bolt (1),(2) & Allen key.



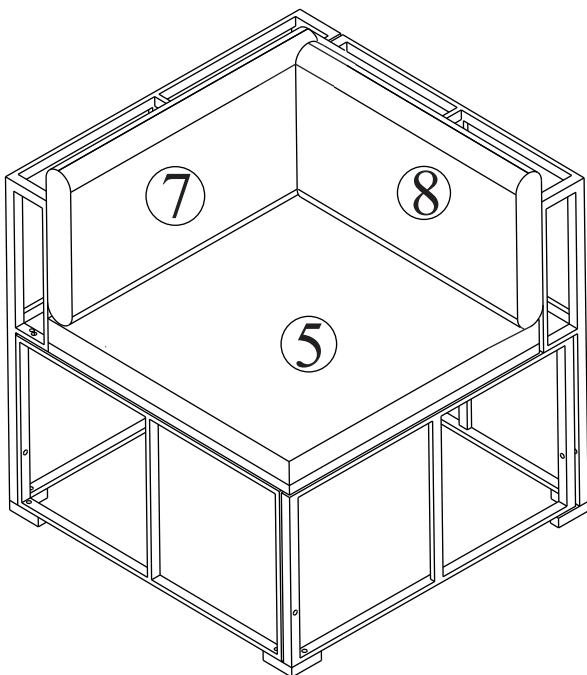
STEP 10

Overturn the part from STEP 9 & connect the Sofa Leg (10) with Bolt(3) & Allen key.



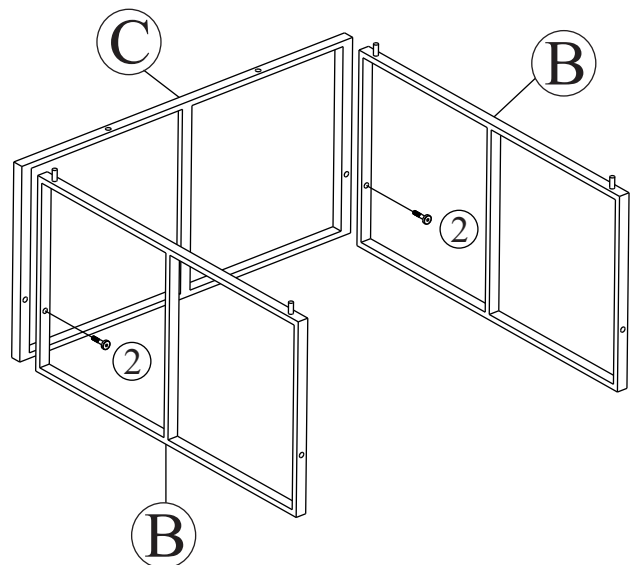
STEP 11

Put on Seat Corner Cushion (5) & Big Cushion Corner (7) & Small Cushion Corner(8) to complete Corner Chair



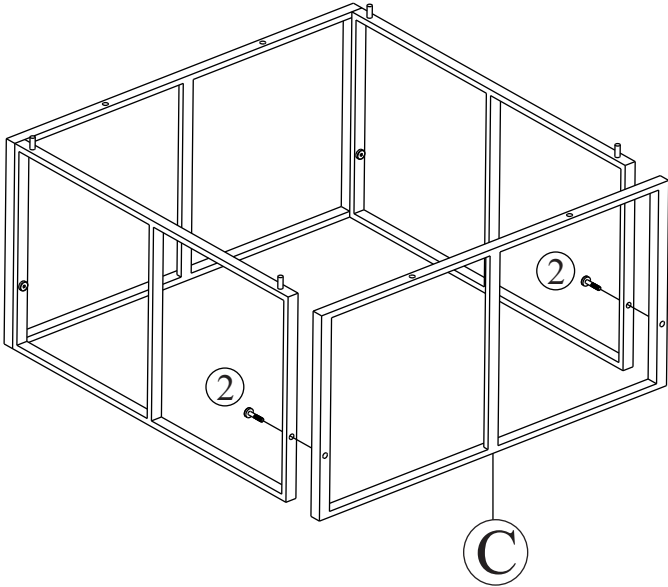
STEP 12 (Table Assembly)

Connect 2x Panel Frame B(B) & Panel Frame C (C) with Bolt (2) & Allen key.



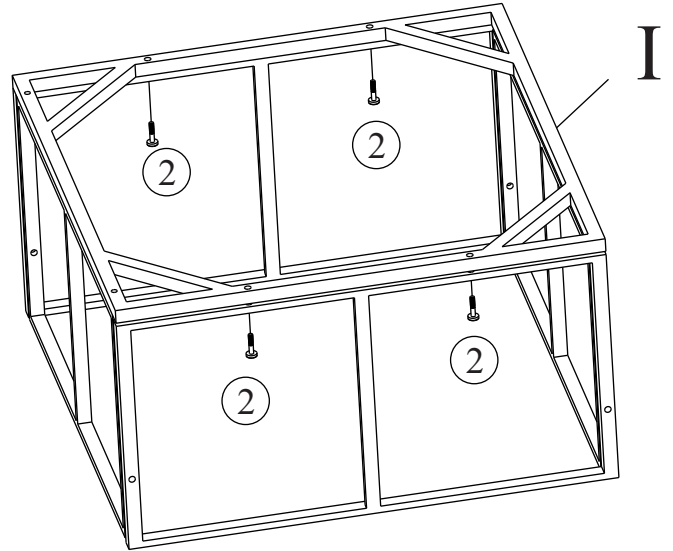
STEP 13

Connect the part from STEP 12 & Panel Frame C (C) with Bolt (2) & Allen key.



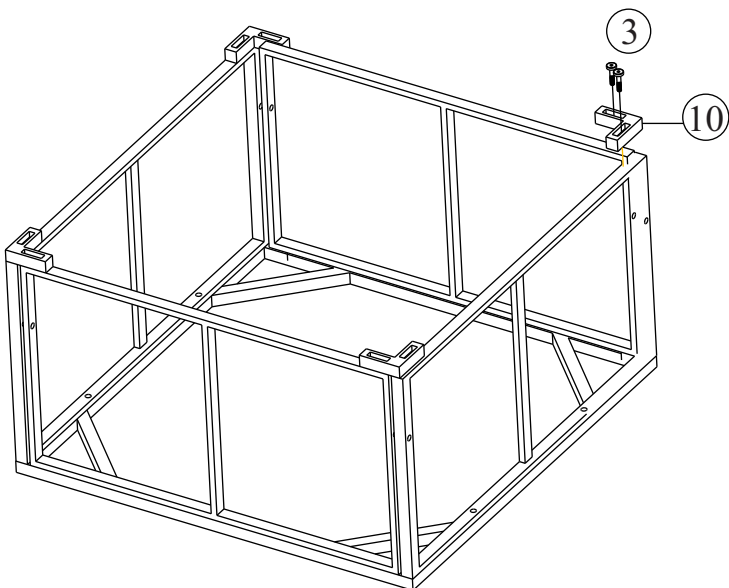
STEP 14

Connect the part from STEP 13 & Table Top Frame (I) with Bolt (2) & Allen key



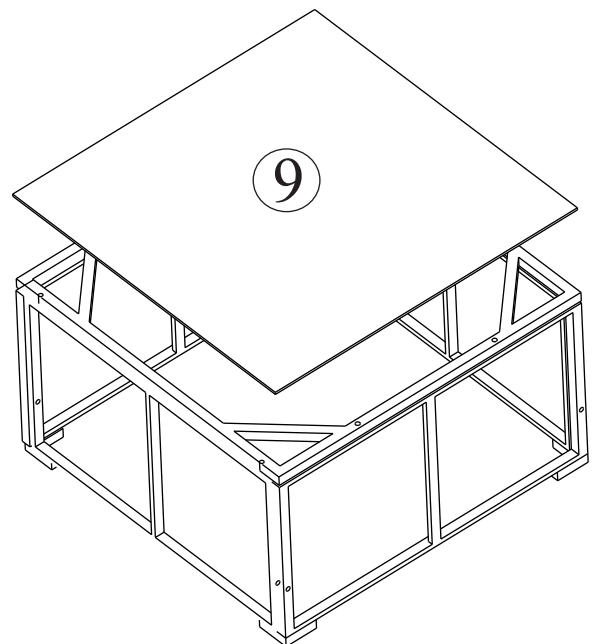
STEP 15

Overturn the part from STEP 14 & connect the Sofa Leg (10) with Bolt (3) & Allen key.



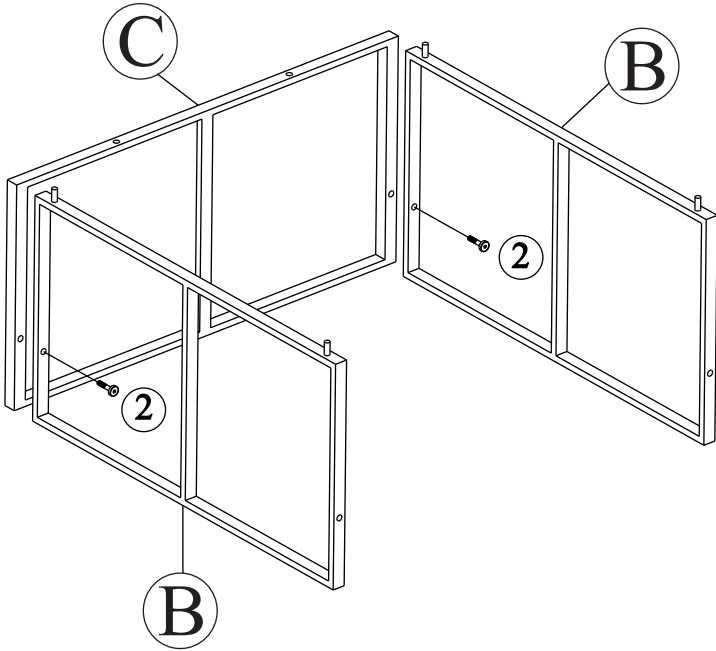
STEP 16

Put on Table Glass (9) to Finish the table



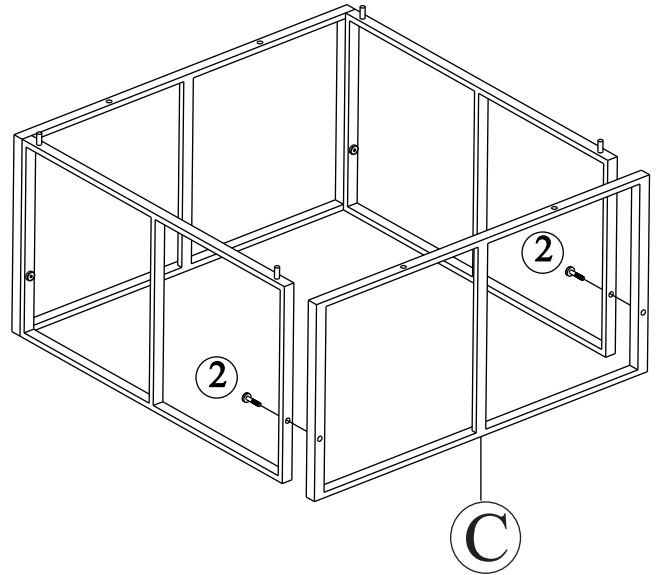
STEP 17 (Stool Assembly)

Connect 2x Panel Frame B(B) & Panel Frame C (C) with Bolt (2) & Allen key.



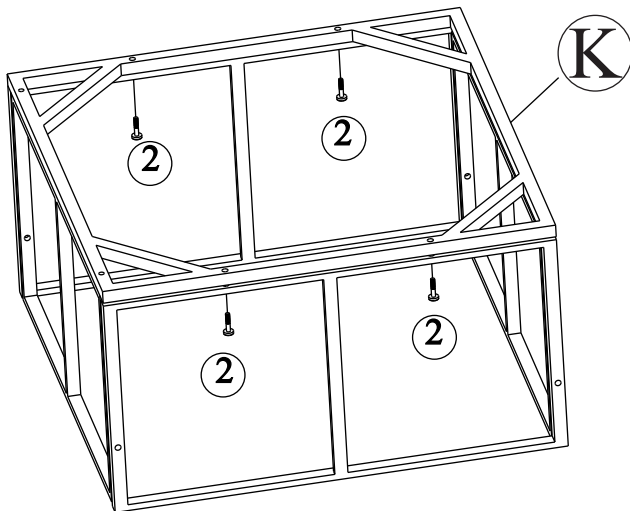
STEP 18

Connect the part from STEP 17 & Panel Frame C (C) with Bolt (2) & Allen key.



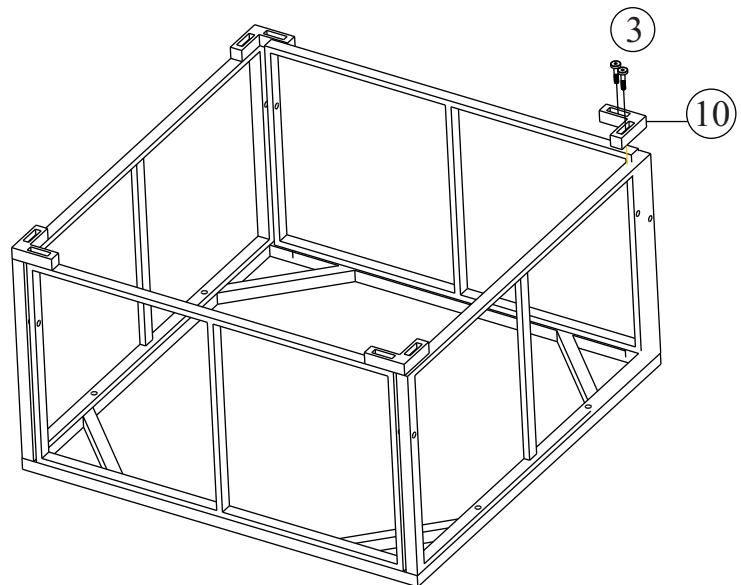
STEP 19

Connect the part from STEP 18 & Stool Top Frame (K) with Bolt (2) & Allen key



STEP 20

Overturn the part from STEP 19 & connect the Sofa Leg (10) with Bolt (3) & Allen key.



STEP 21
Put on Cushion Stool (11) to Finish the table

