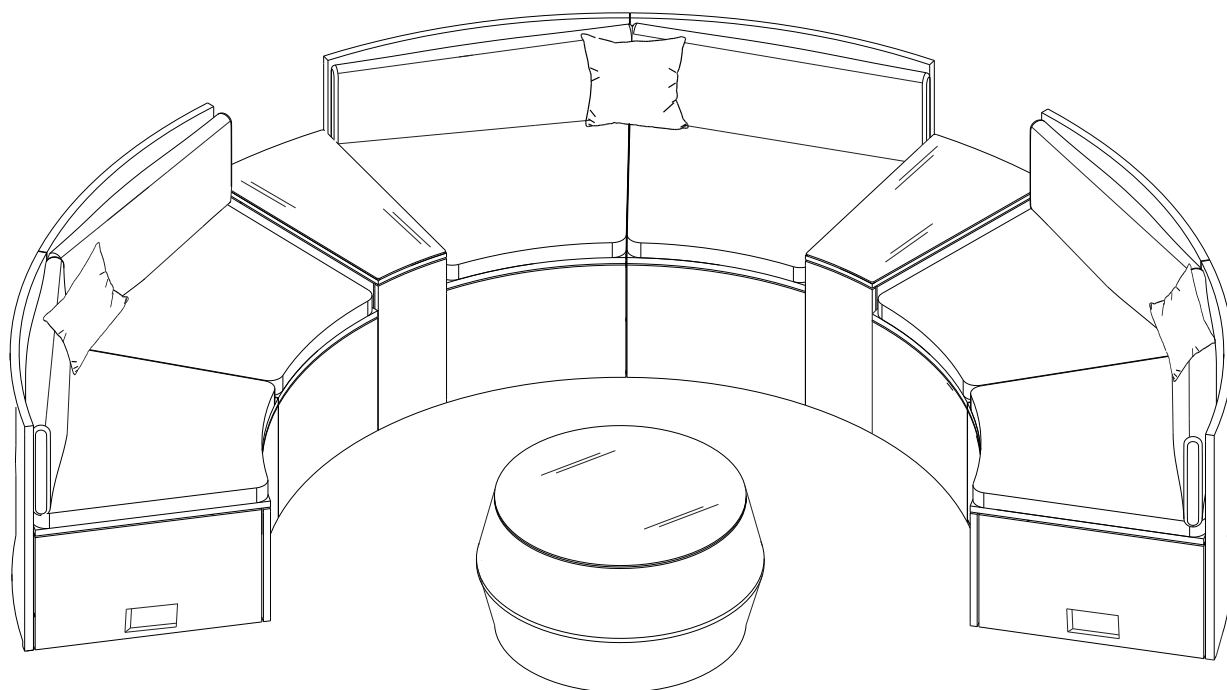


# ASSEMBLY MANUAL BRUKSANVISNING

**Lyfco**®



**NOTE: 50% TIGHTEN BEFORE FIXING ALL BOLTS**

**VIKTIGT – LÄS MONTERINGSANVISNINGARNA NOGA INNAN DU BÖRJAR**

Please don't remove the batch code sticker at back side of this product!  
Any feedback please take picture of this batch code for traceability purpose

Ta inte bort etiketten med batchnummer som finns på möbelen. Om du behöver hjälp med service eller reklamation av din möbel – ange möblensbatchnummer till återförsäljaren, så att du kan få rätt reservdelar till just din möbel.

**XX-YYWW**

**SKU: 166-1-58**

**MODEL NAME: Kivik**

**MODELLNAMN: Kivik**

**Konsumentkontakt**

**Arc E-commerce AB**

**Box 3124**

**13603 Haninge**

**Attention!** Please note that at first all screws should be inserted slightly by hand! Turn 2-3 times so that the screw grips on its own and connects all elements loosely. The screws must only be driven in tightly when all elements are connected with each other in this way. Otherwise the setup won't be possible. Only by driving them in tightly afterwards, small deviations of the borehole or the welded joints, which always occur with handcrafted products, can be compensated.

**Var uppmärksam!** Sätt först i samtliga skruvar löst. **Dra inte åt**, för då finns risk att skruvhålen inte passar.

### Notes on an optimized assembly:

Before you completely tighten the screws, check carefully all the screws and tighten them (only) to the extent that the product remains (especially chairs or loungers) still under load. If you are sure that your product can withstand load, place it on a solid, level ground and put some weight on it, please carefully and always with cushions. The various components can then align with each other. Then tighten completely the screws. Thus you achieve an optimal alignment of the product and prevent wobbling. Don't sit, find some weight.

### Innan du drar åt skruvarna helt, gör såhär för bästa resultat:

Ställ möbeln på en helt slät yta och lägg ett tillräckligt tungt föremål (ca 10-15kg) på den, så att alla ben nuddar marken. Skruva därefter i skruvarna helt. Obs – använd inte din kroppstyngd, då det är för mycket vikt. Om du följer dessa råd, blir din möbel stabil.

Om du inte följer dessa instruktioner kommer möbeln att bli ostadig och "vickig" då produkten upplevs ojämn.

**Your new product was made by hand. Slightly irregularities are rather seen as a quality attribute than as a reason for complaints.**

**Din nya möbel är handgjord. Små avvikelser kan därför förekomma och är ett kvalitetsattribut snarare än ett fel.**

**Tip: Always fully insert the hex key inside designated notch of screw.**

**Tips: Var noga att alltid sätta in insexnyckeln helt ner i skruven.**



If you don't do that and slip out of the screw, the screw will suffer damage and it can cause the screw head to become round inside you won't be able to find grip with the hex key anymore!

Om du inte gör det finns risk att insexnyckeln slinter, vilket skadar skruven. Skruvenkandåbli brukbar.

### ✘ DONT'S

Don't use this product if parts are missing, damaged or worn down.

Don't use any electronic tools to set up these products. The high energy of these electronic tools will cause screw overtightening and therefore they won't grip.

Don't overtighten screws or bolts. Only tighten the screws entirely after the product is completely set up. You shouldn't sit or stand on it.

Don't let your product stand in the rain. Protect it from weather impacts. In times of freeze and over the winter, we suggest you to store the product in a covered dry place.

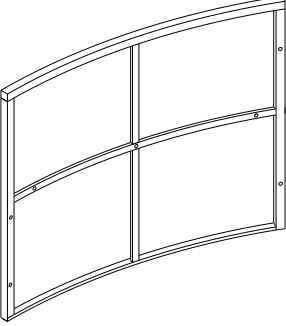
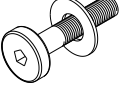
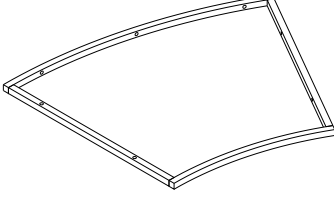
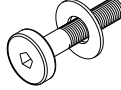
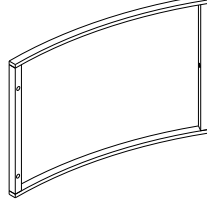
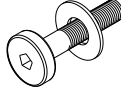
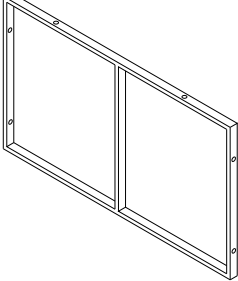
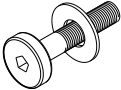
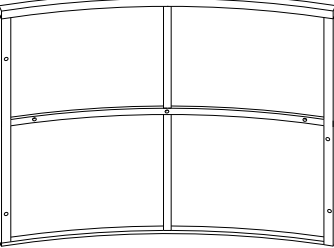
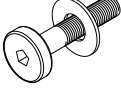
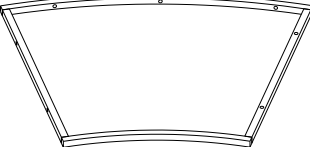
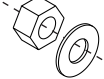
### ✘ VIKTIGT

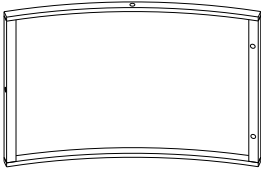
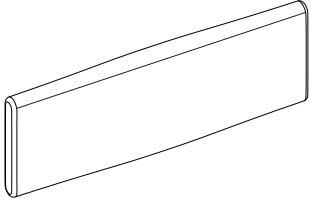
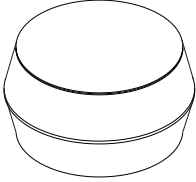
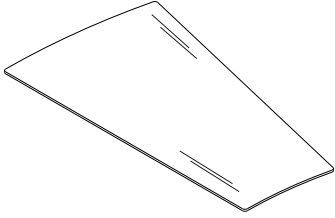
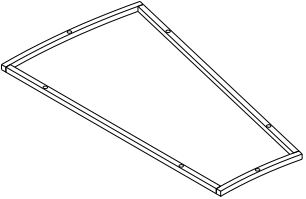
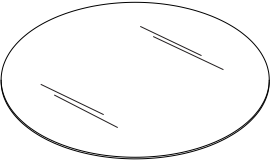
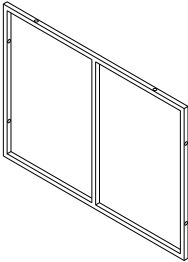
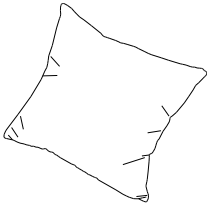
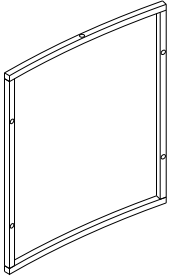
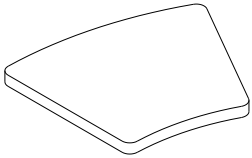
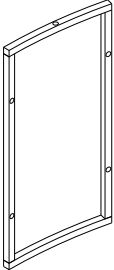
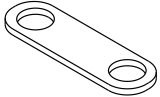
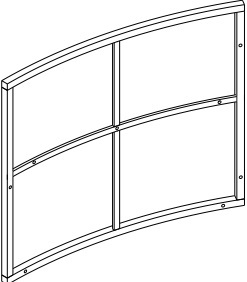
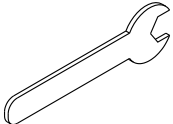
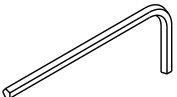
Använd inte den här produkten om delar saknas, är skadade eller utslitna.

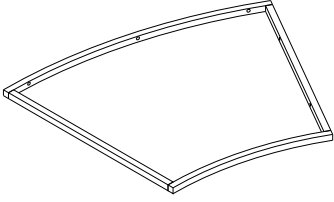
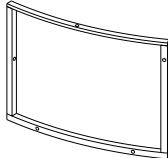
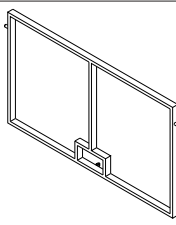
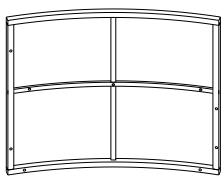
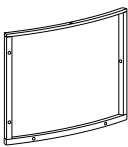
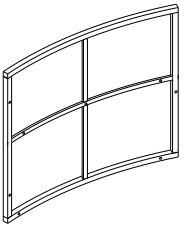
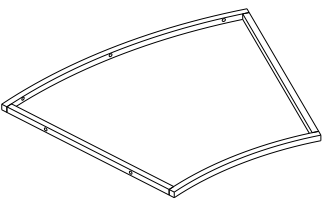
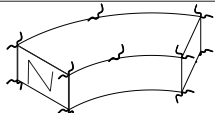
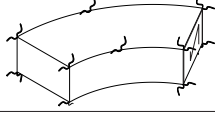
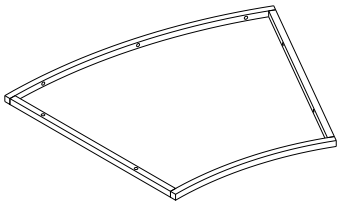
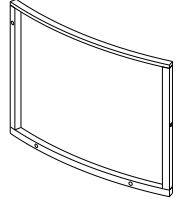
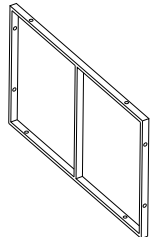
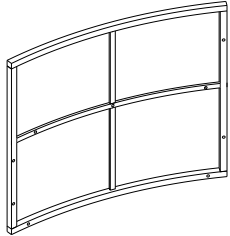
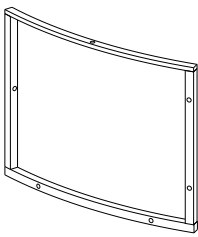
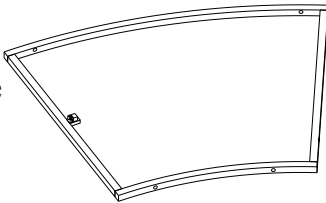
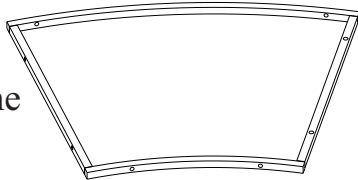
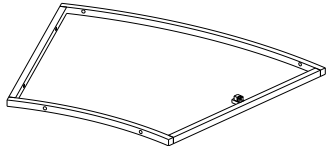
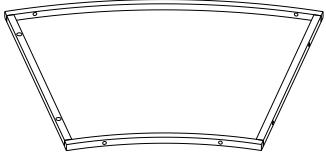
Använd inte elektriska skruvdragare för att montera produkten. Den höga kraften i elektriska verktyg kommer dra åt skruvarna för hårt vilket kan skada gängorna.

Spänn inte skruvar eller muttrar för hårt. Dra åt alla skruvar efter att hela möbeln monterats. Stå eller sitt inte på bordet.

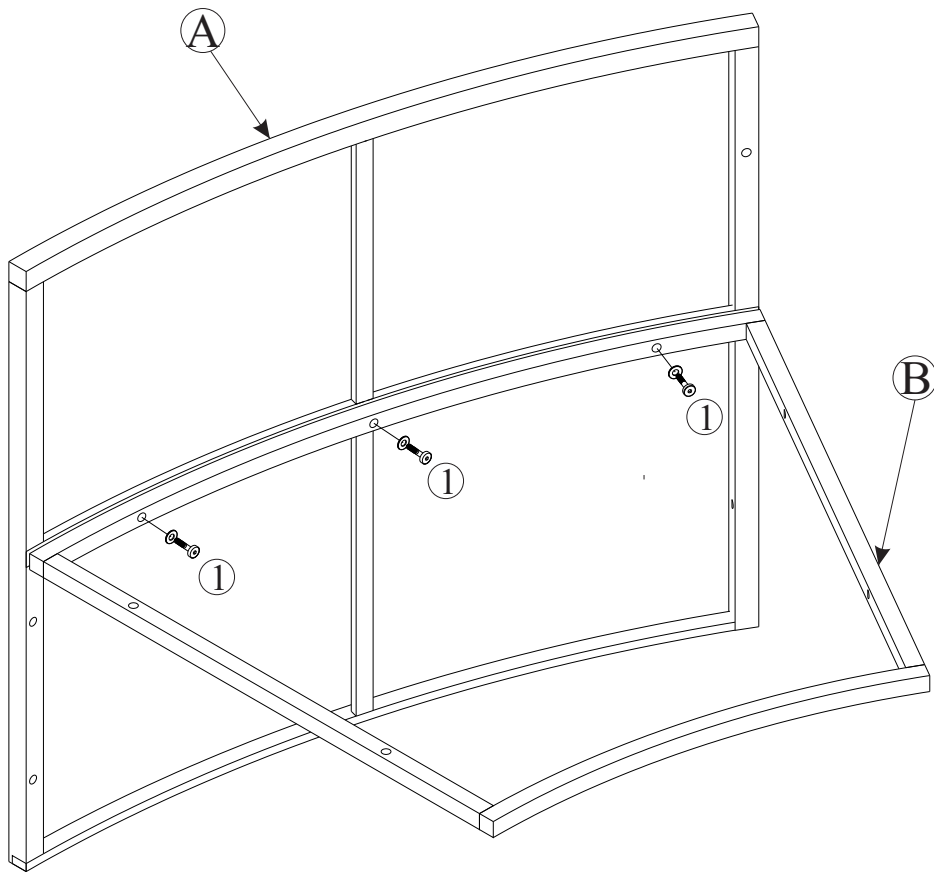
För att förlänga livslängden på möbeln, undvik att låta den stå i regn. Under vintertid rekommenderar vi att möbeln förvaras inomhus, i torr miljö.

<u>Component</u>		<u>Hardware</u>		
<b>A</b>  Back Frame A 	1 pc	1 Bolt M6x40mm		40 pcs
<b>B</b>  Seat Frame B 	1 pc	2 Bolt M6x35mm		28 pcs
<b>C</b>  Front Frame C 	1 pc	3 Bolt M6x30mm		30 pcs
<b>D</b>  Side Frame D 	2 pcs	4 Bolt M6x20mm		12 pcs
<b>E</b>  Back Frame E 	1 pc	5 Bolt M6x60mm		7 pcs
<b>F</b>  Seat Frame F 	2 pcs	6 Nut M6		7 pcs

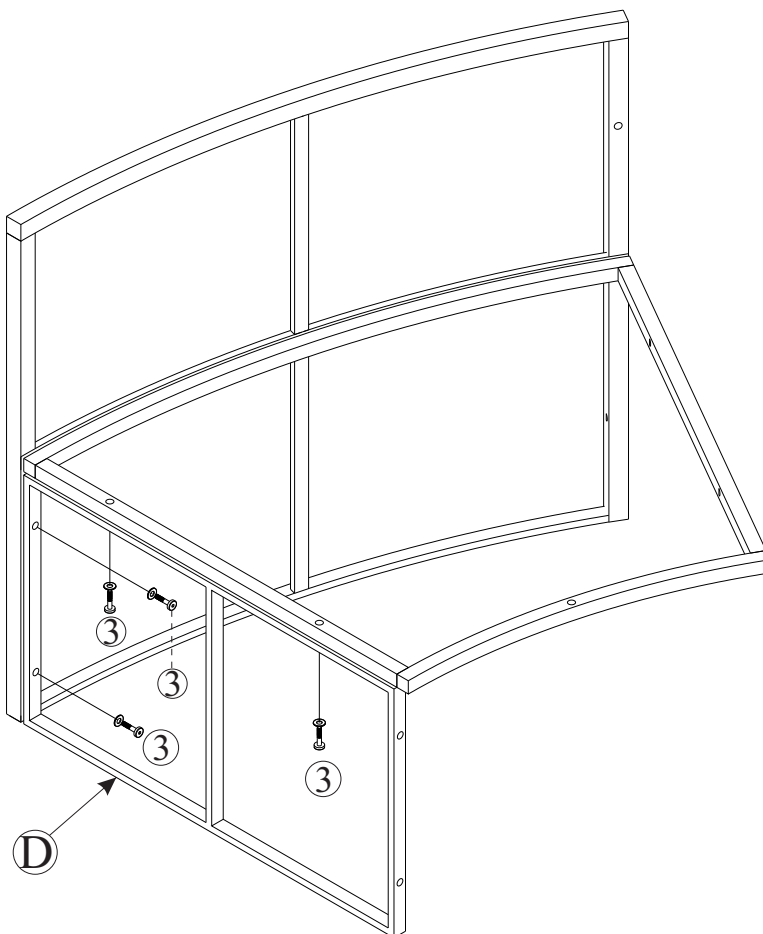
<u>Component</u>		<u>Hardware</u>	
<b>G</b> Front Frame 	1 pc	<b>7</b> Back Pillow 	6 pcs
<b>H</b> Round Table 	1 pc	<b>8</b> Table Glass 	2 pcs
<b>I</b> Table Top Frame 	2 pcs	<b>9</b> Round Table Glass 	1 pc
<b>J</b> Side Table Frame 	4 pcs	<b>10</b> Pillow 	3 pcs
<b>K</b> Behind Table Frame 	2 pc	<b>11</b> Seat Cushion 	6 pcs
<b>L</b> Front Table Frame 	2 pcs	<b>12</b> Connecting part 	6 pcs
<b>A1</b> Back Frame 	1 pc	<b>13</b> Spanner  <b>14</b> Allen key 	1 pc  1 pc

<u>Component</u>		<u>Component</u>	
B1	Seat Frame		1 pc
C1	Front Frame		1 pc
D1	Side Frame		2 pcs
E1	Back Frame		1 pc
G1	Front Frame		1 pc
A2	Back Frame		1 pc
B2	Seat Frame		1 pc
O	Rain Cover		1 pc
O1	Rain Cover		1 pc
B3	Seat Frame		1 pc
C2	Front Frame		1 pc
D2	Side Frame		2 pcs
E2	Back Frame		1 pc
G2	Front Frame		1 pc
M	Bottom Frame		1 pc
N	Bottom Frame		1 pc
M1	Bottom Frame		1 pc
N1	Bottom Frame		1 pc

**STEP 1**  
Connect Back Frame A (A) & Seat Frame B (B) with Bolt (1)

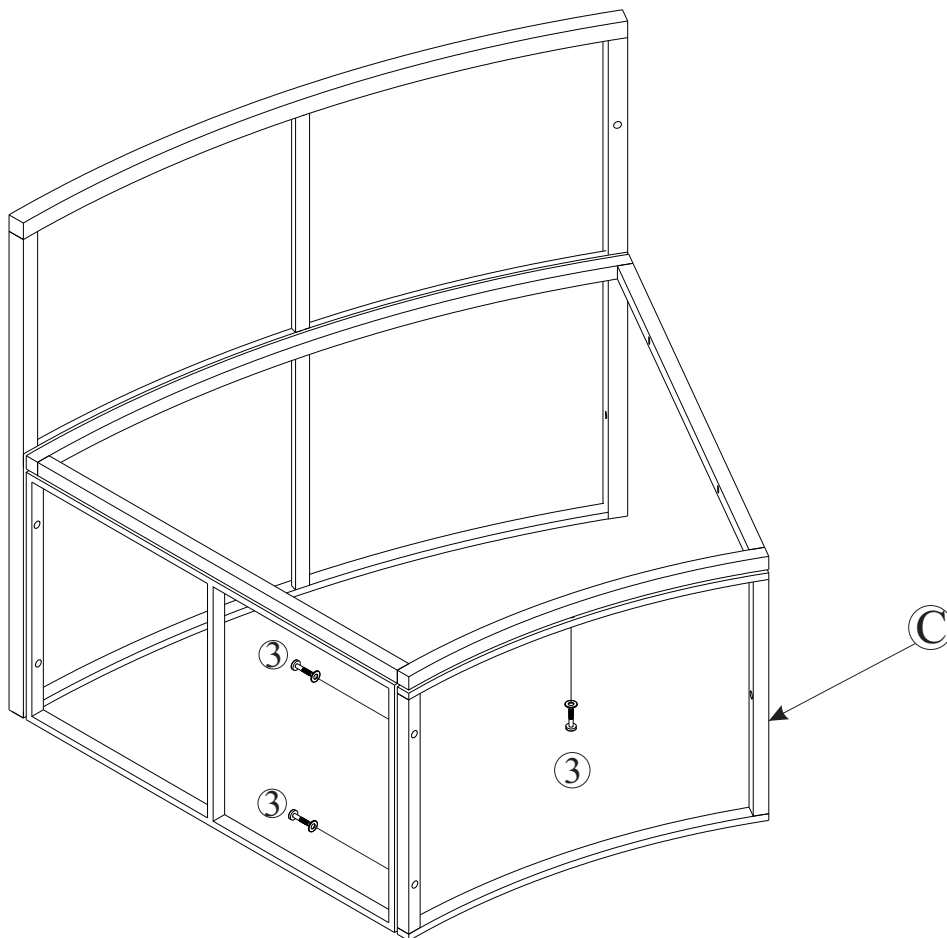


**STEP 2**  
Connect part from STEP 1 & Side Frame D (D) with Bolt (3)



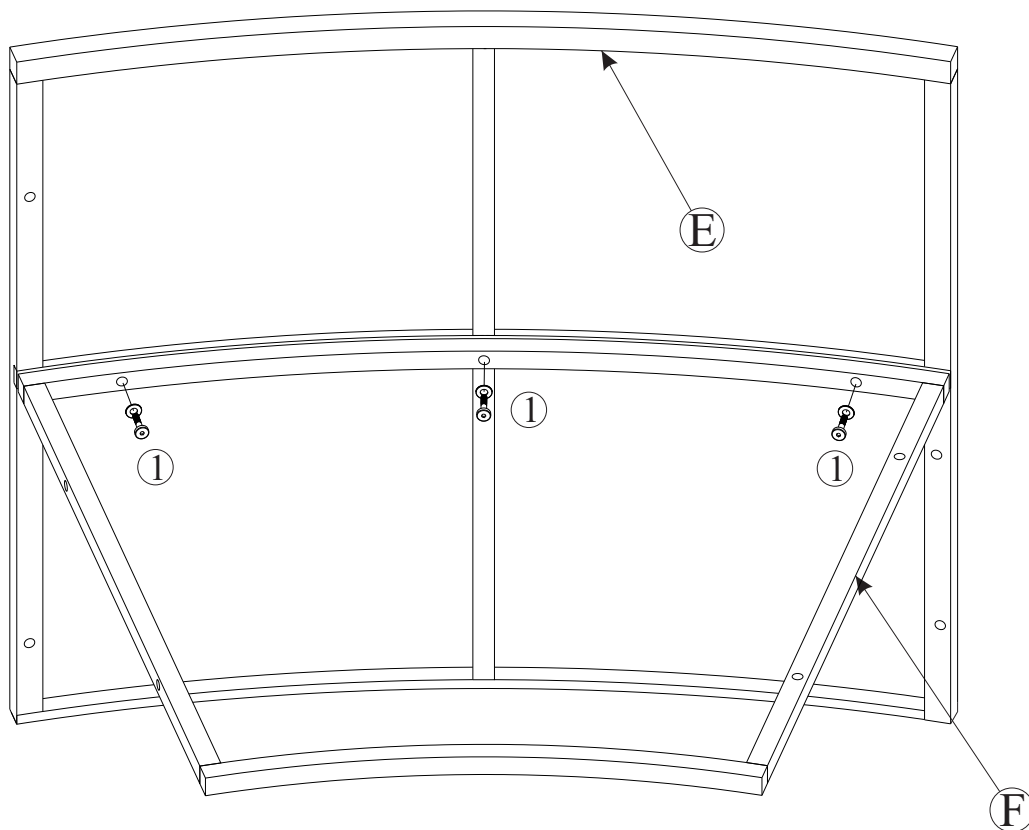
### STEP 3

Connect part from STEP 2 & Front Frame C (C) with Bolt (3)



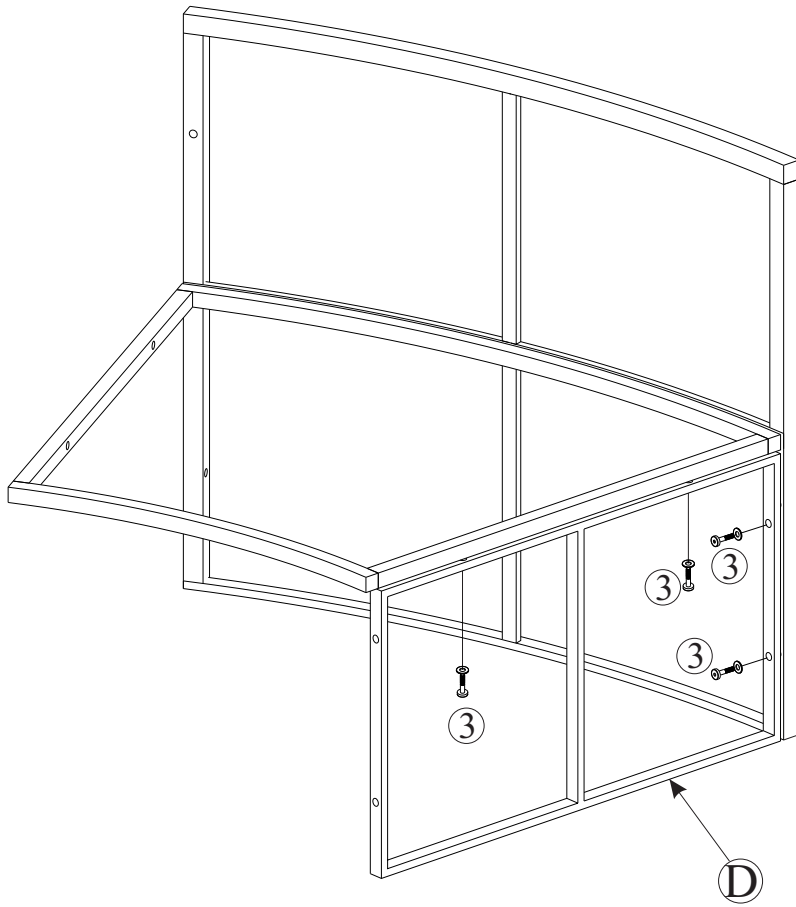
### STEP 4

Connect back Frame E (E) & Seat Frame F (F) with Bolt (1)



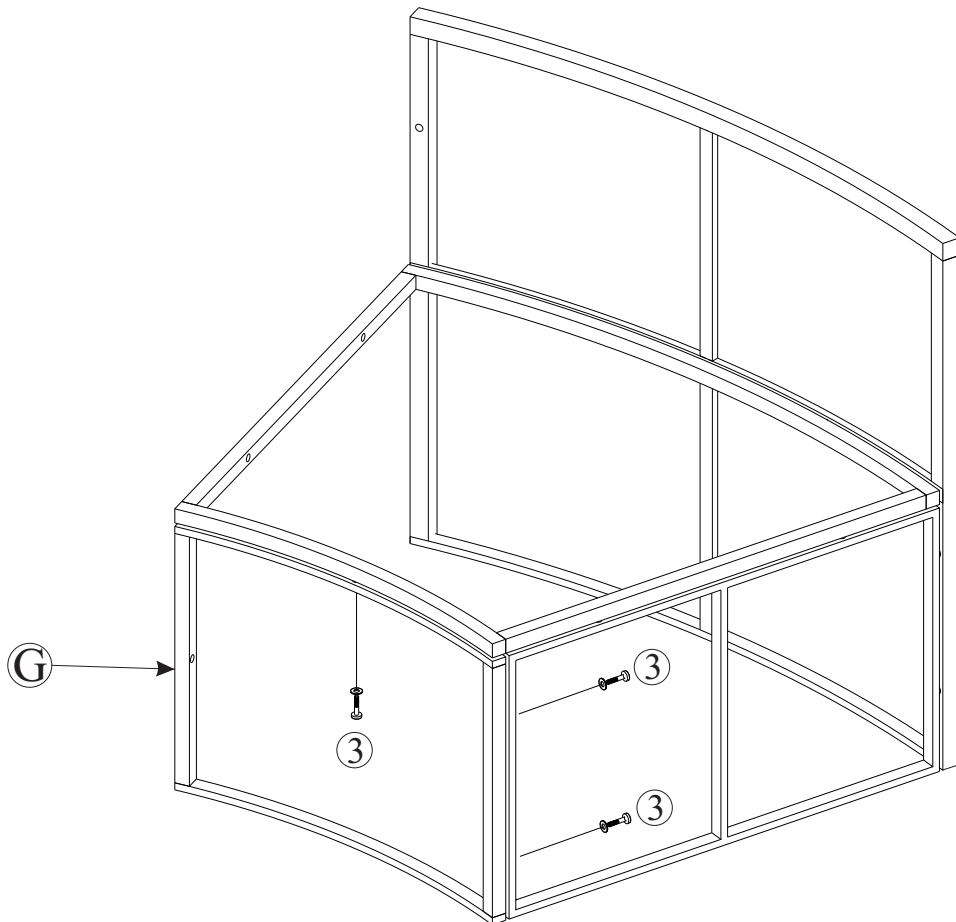
### STEP 5

Connect part from STEP 4 & Side Frame D (D) with Bolt (3)



### STEP 6

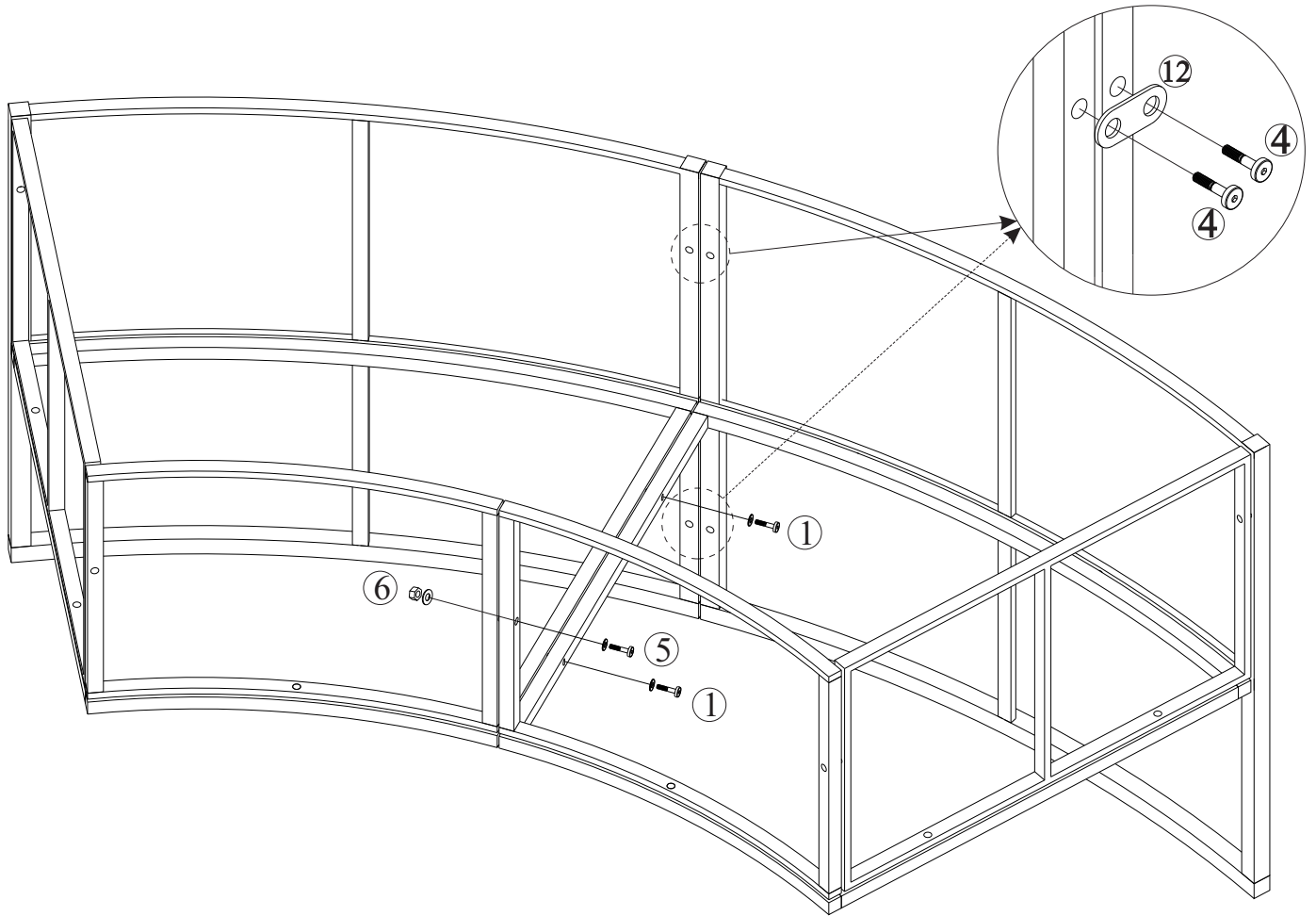
Connect part from STEP 5 & Front Frame G (G) with Bolt (3)





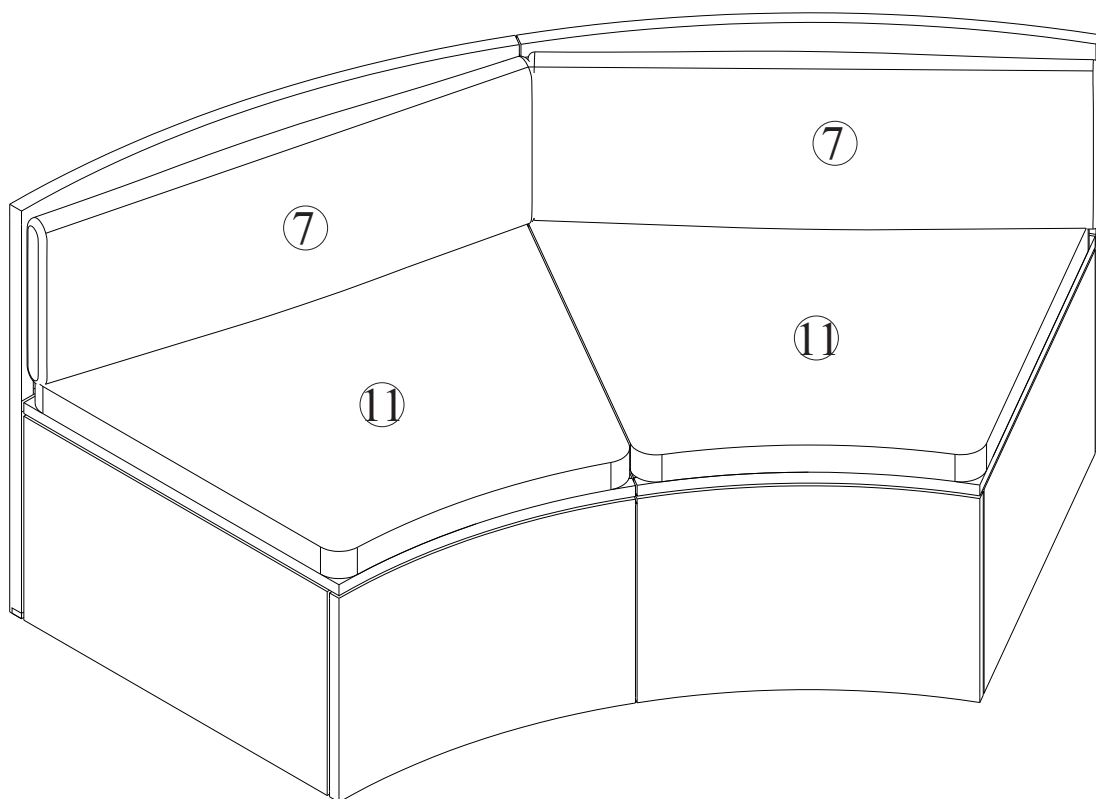
### STEP 7

Connect part from STEP 3 & STEP 6 with Bolt (1), Connecting part (12) & Bolt (4), (5) & Nut (6)

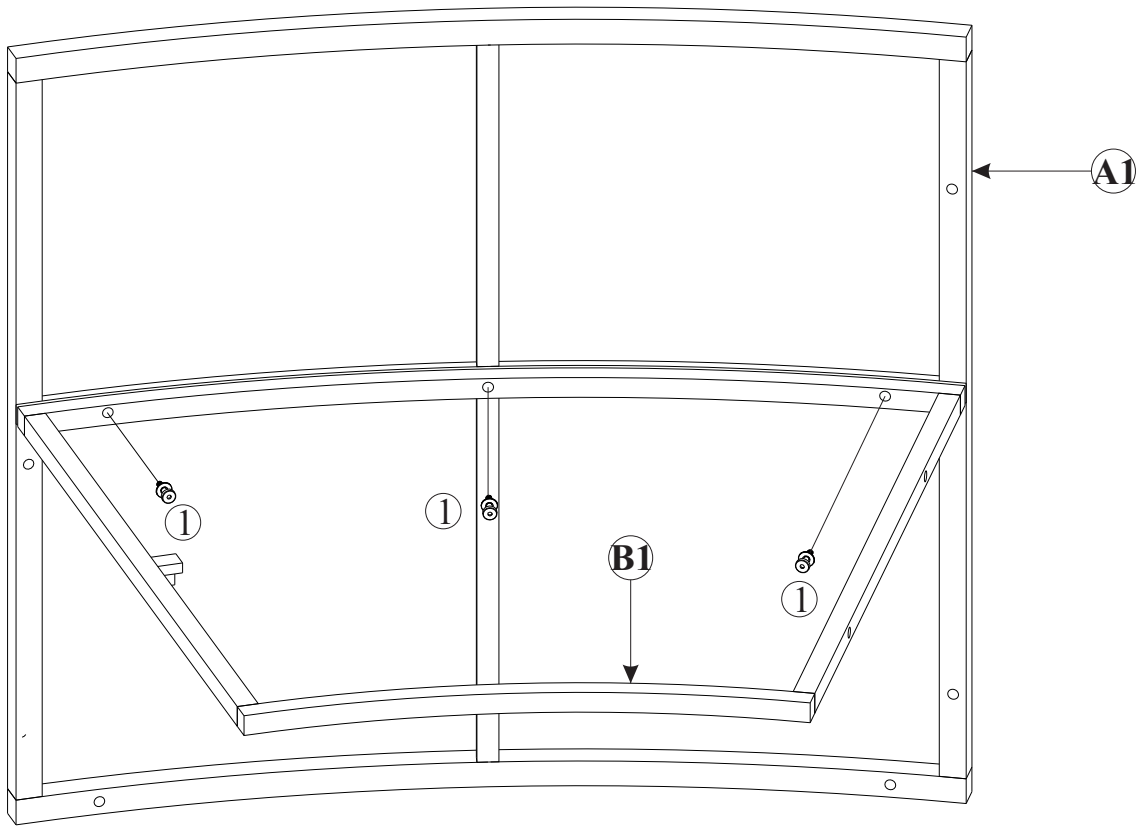


### STEP 8

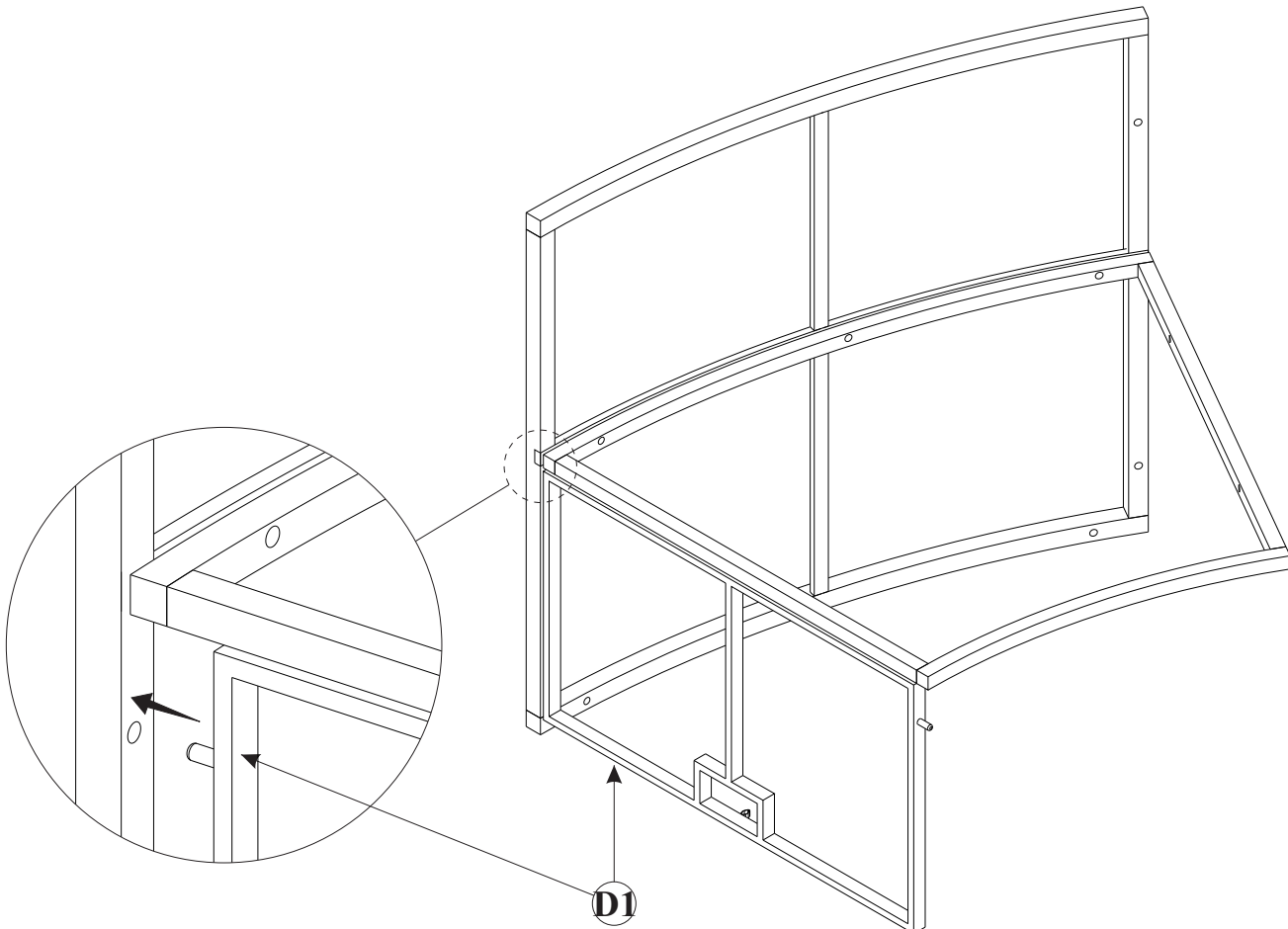
Put on Seat Cushion (11) & Back Pillow (7) to complete round sofa



STEP 9  
Connect Back Frame (A1) & Seat Frame (B1) with Bolt (1)

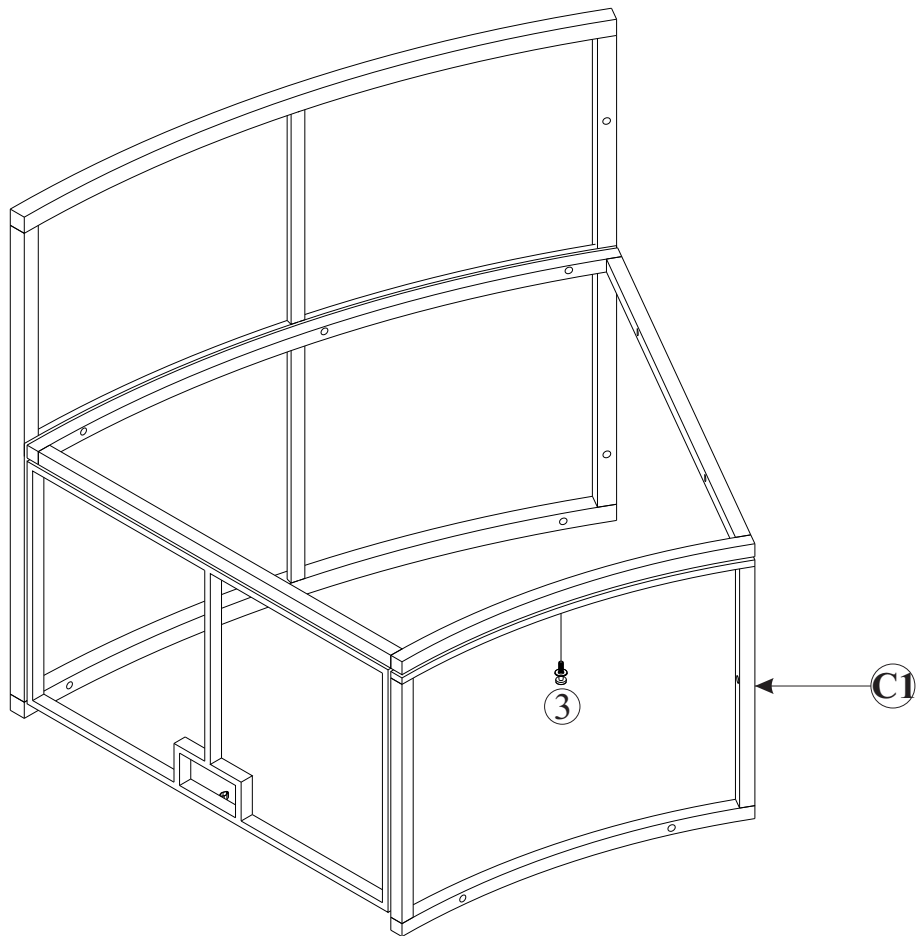


STEP 10  
Connect part from STEP 9 & Side Frame (D1)



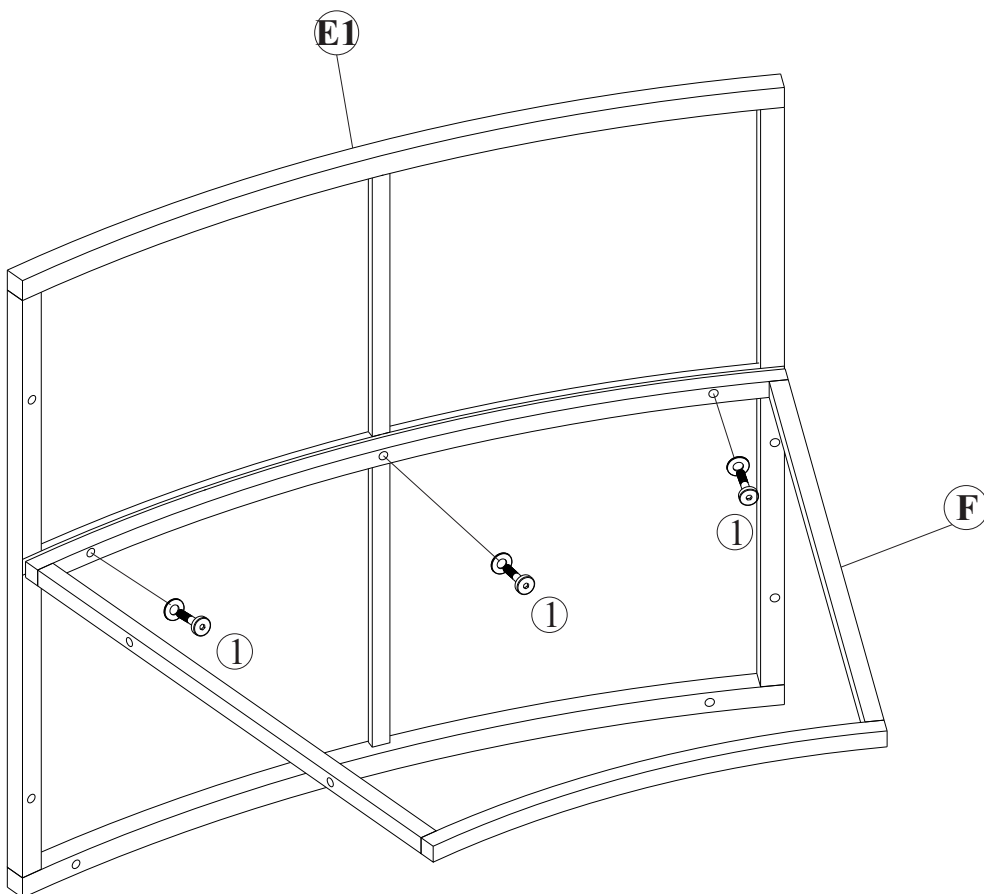
### STEP 11

Connect part from STEP 10 & Front Frame (C1) with Bolt (3)



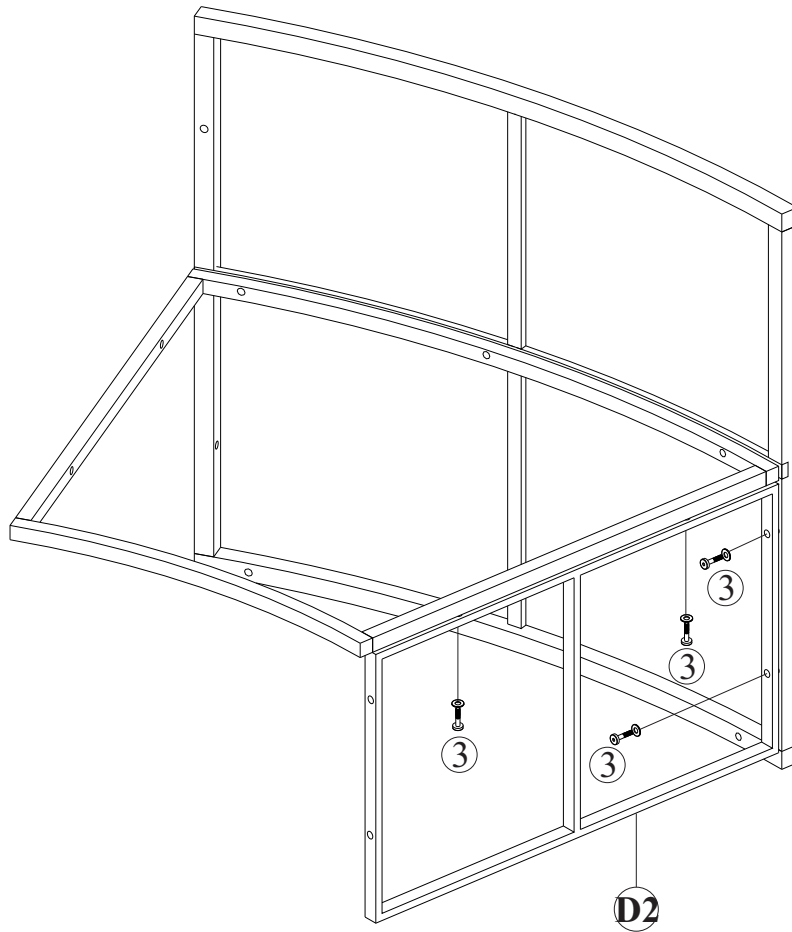
### STEP 12

Connect Back Frame (E1) & Seat Frame (F) with Bolt (1)



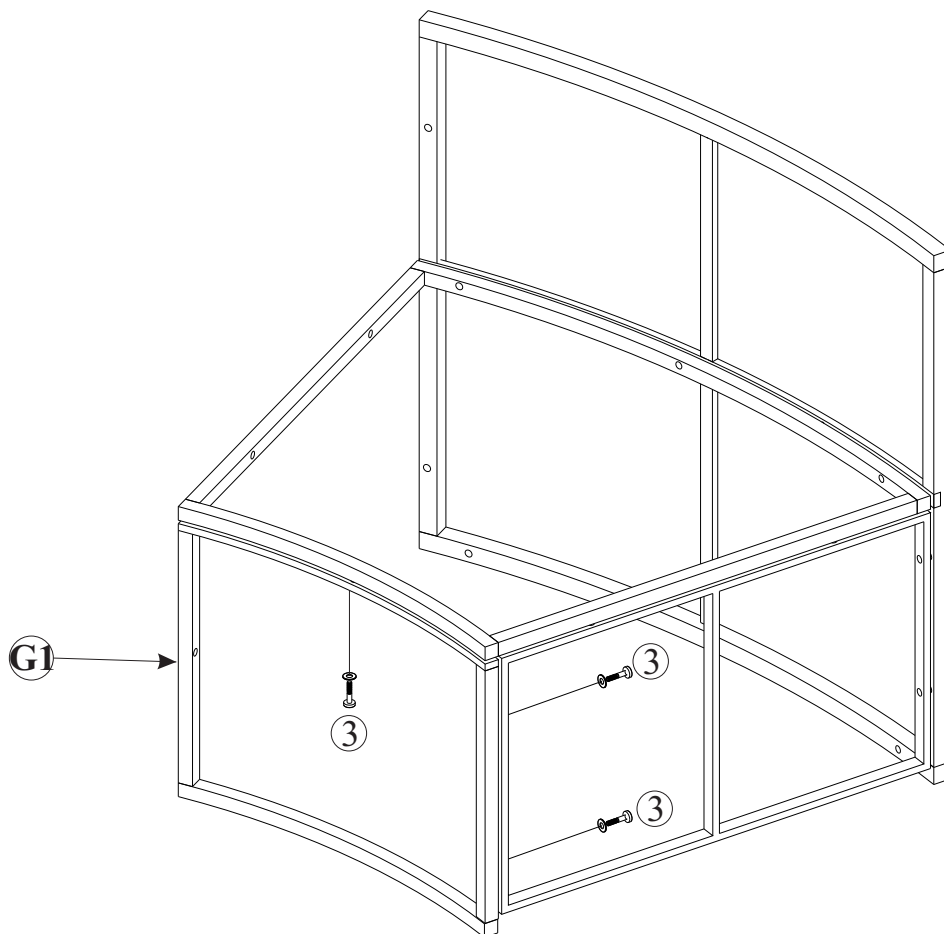
### STEP 13

Connect part from STEP 12 & Side Frame (D2) with Bolt (3)



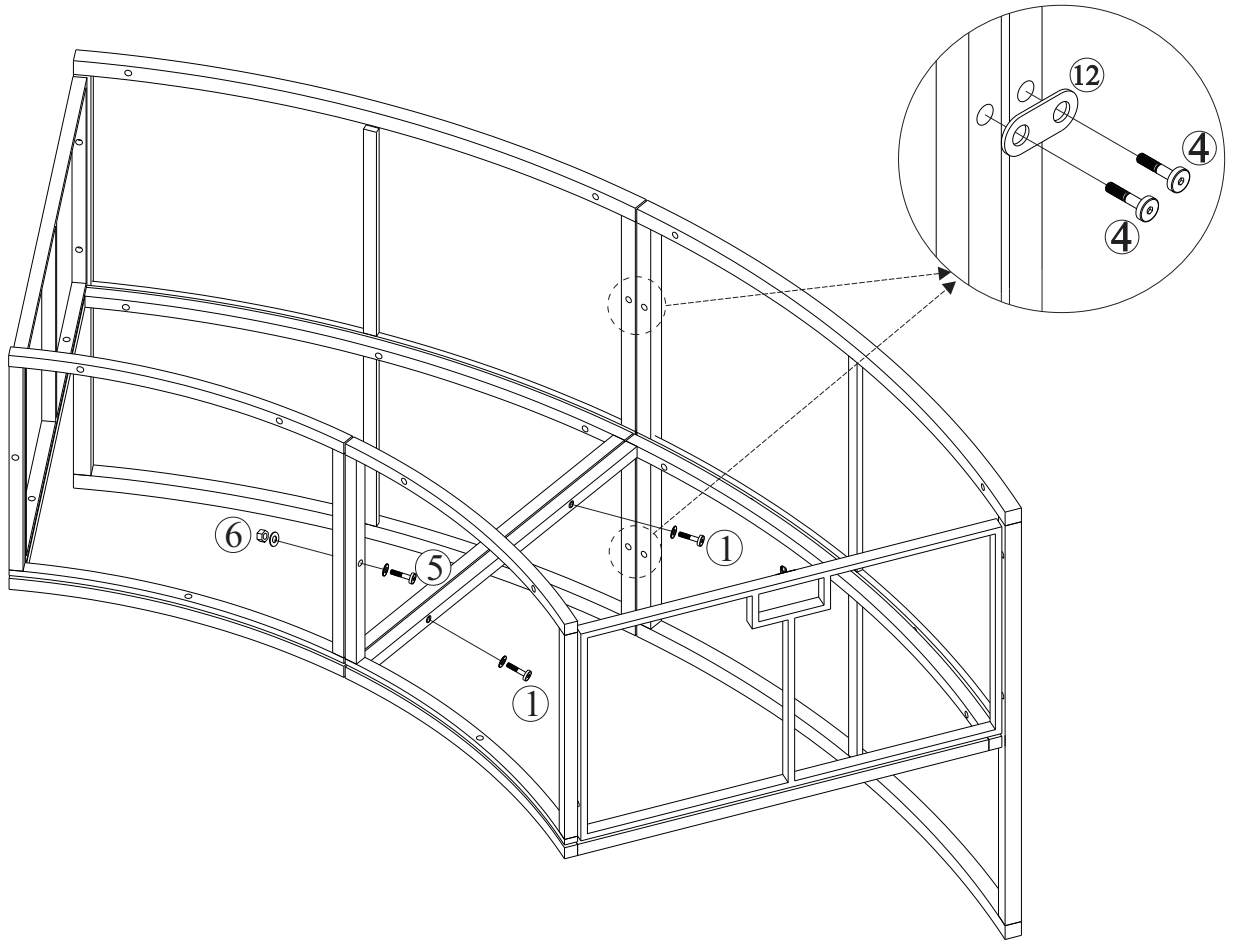
### STEP 14

Connect part from STEP 13 & Front Frame (G1) with Bolt (3)



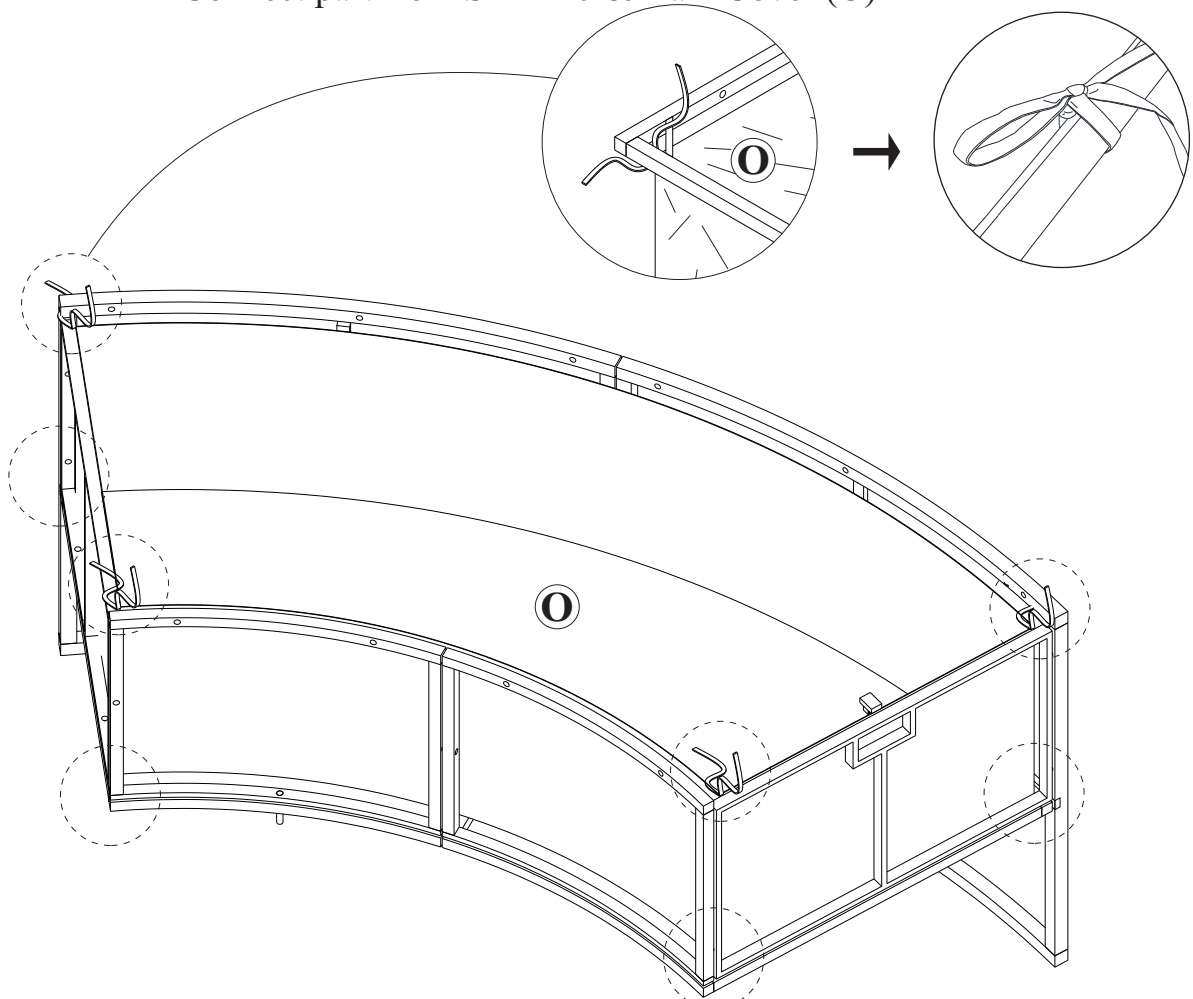
### STEP 15

Connect part from STEPS 14 & 11 with Bolt (1), (5) & Nut (6), (4) & Connecting part (12)



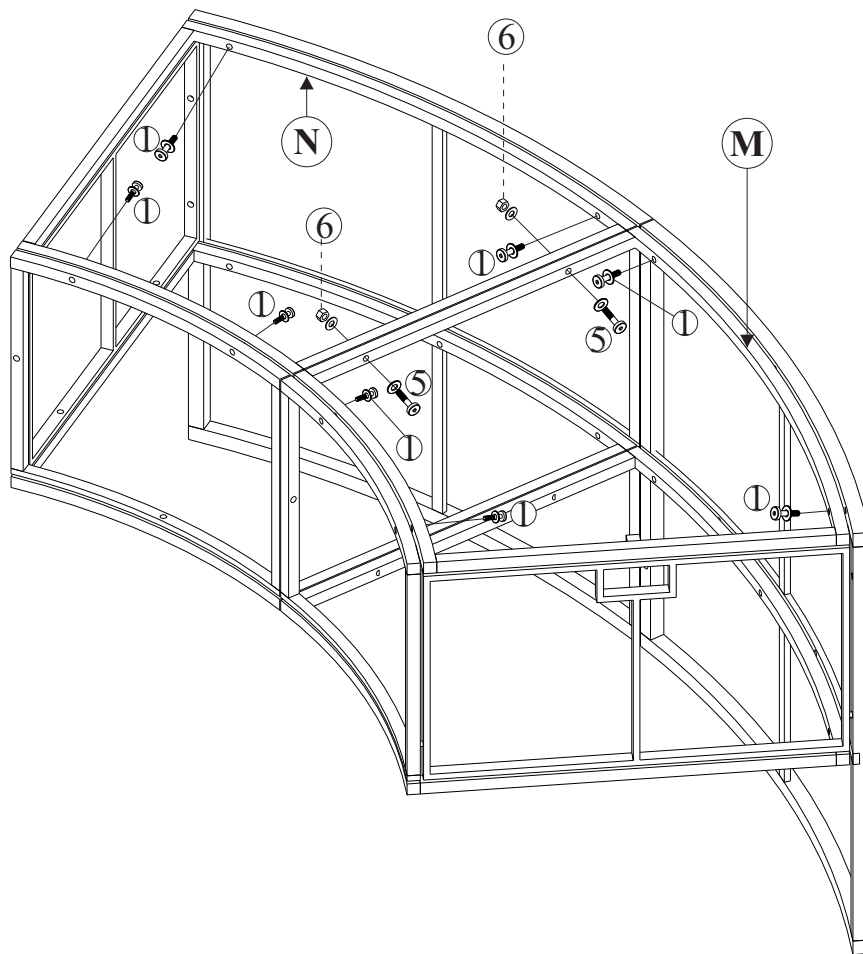
### STEP 16

Connect part from STEP 15 & Rain Cover (O)



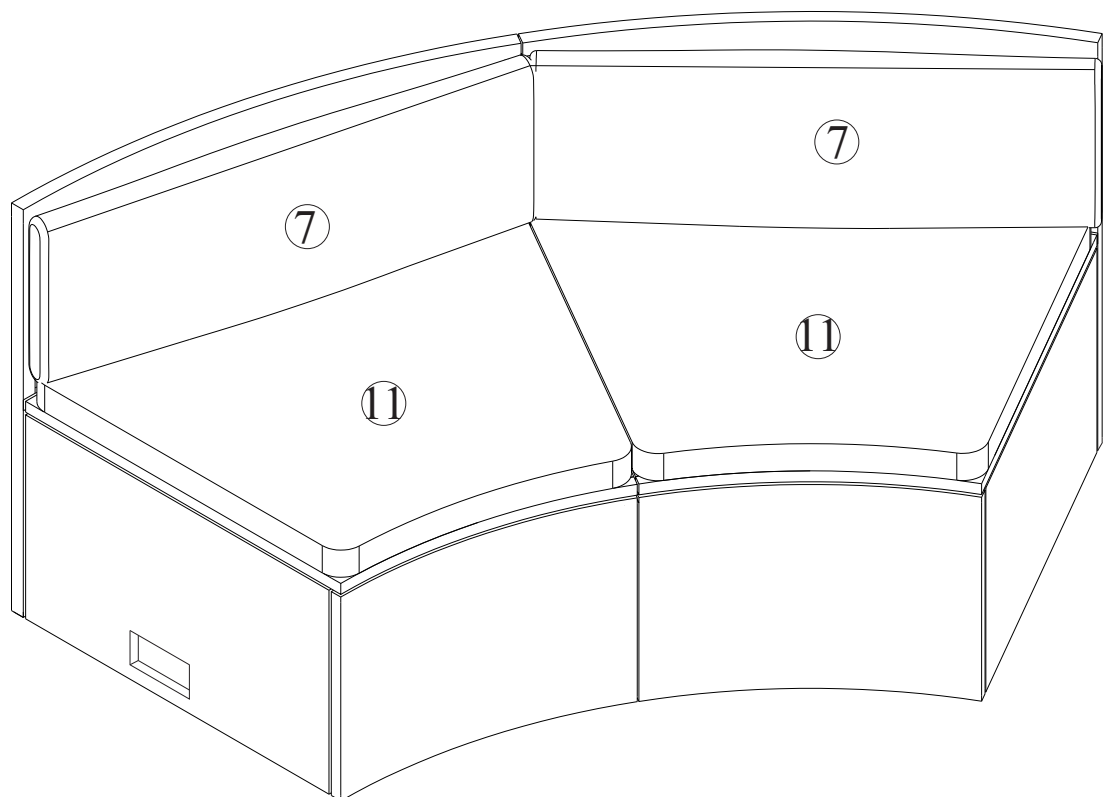
### STEP 17

Connect part from STEP 16 & Bottom Frame (M) & (N) with Bolt (1), (5) & Nut (6)



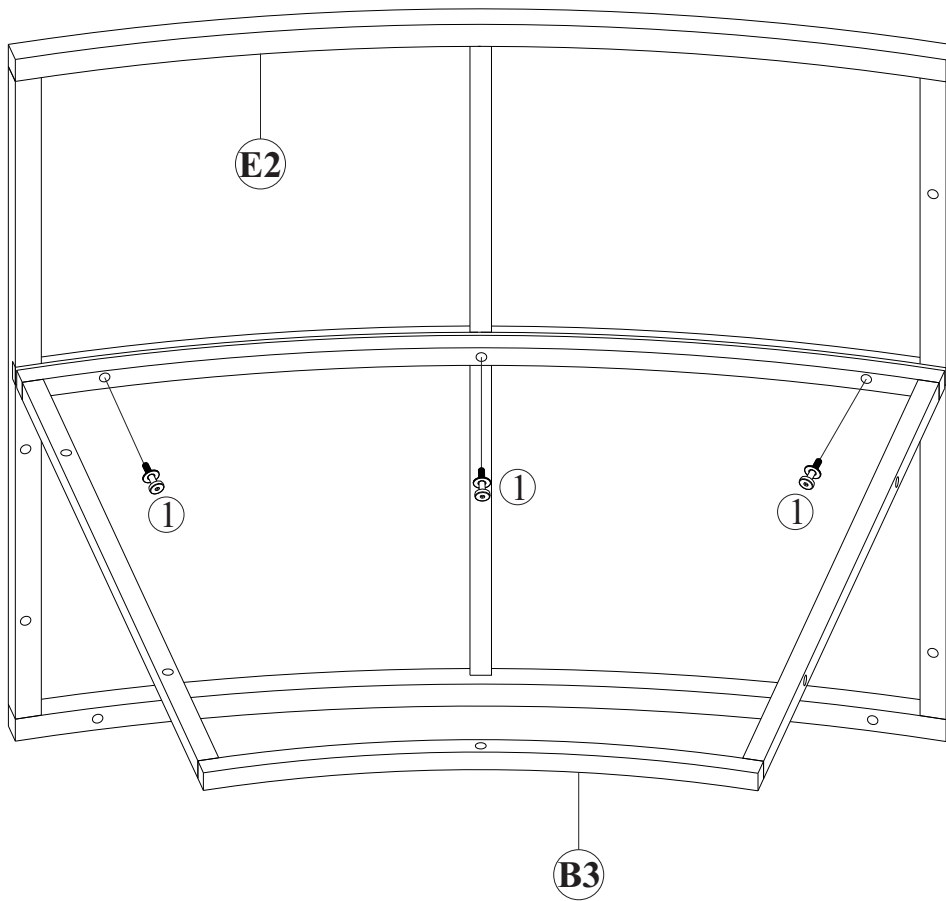
### STEP 18

Put on Seat Cushion (11) & Back Pillow (7) to complete bench round sofa



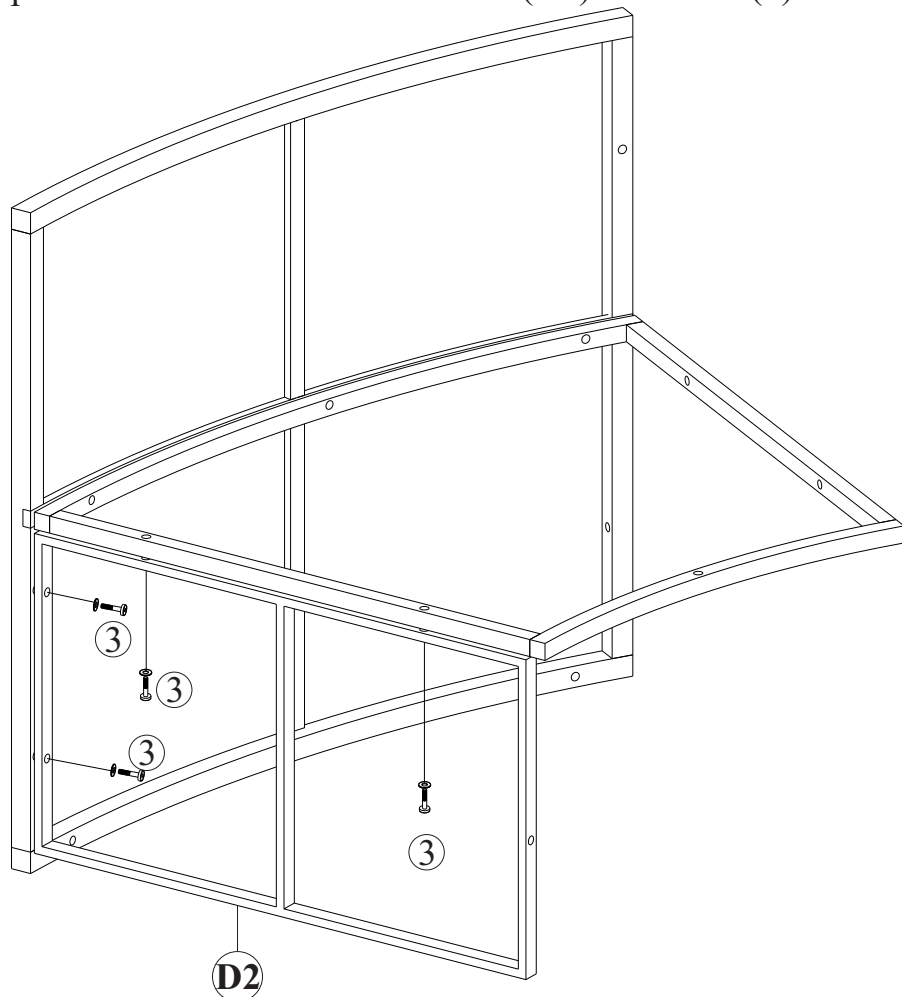
## STEP 19

Connect Back Frame (E2) & Seat Frame (B3) with Bolt (1)



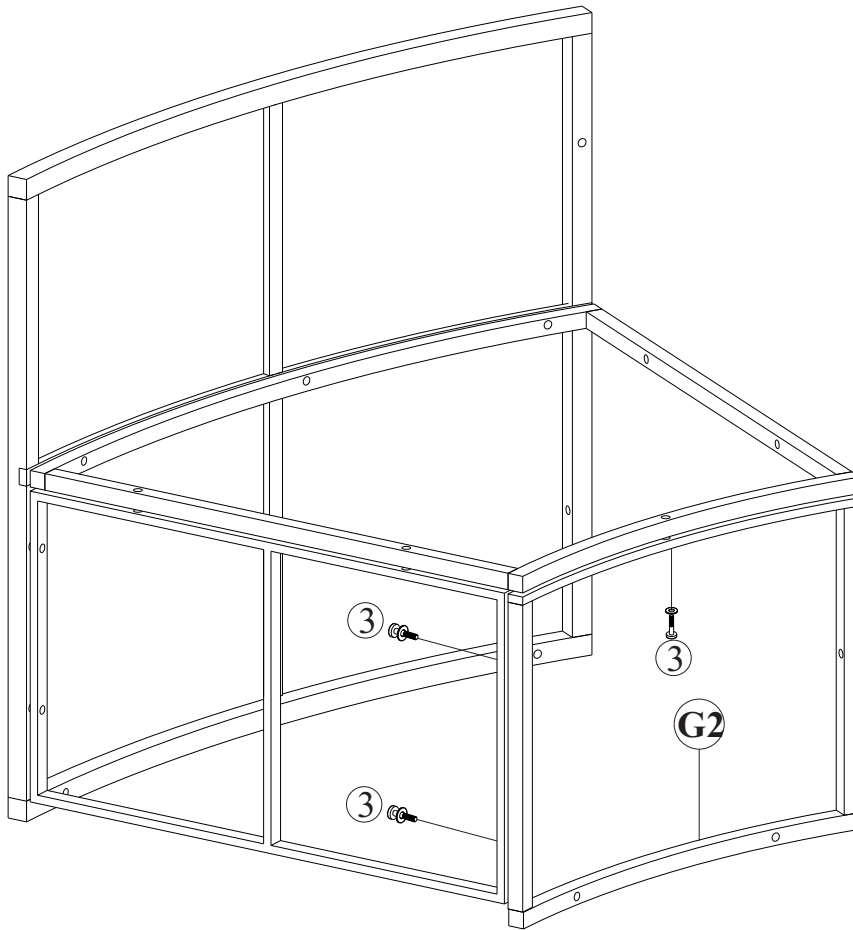
## STEP 20

Connect part from STEP 19 & Side Frame (D2) with Bolt (3)



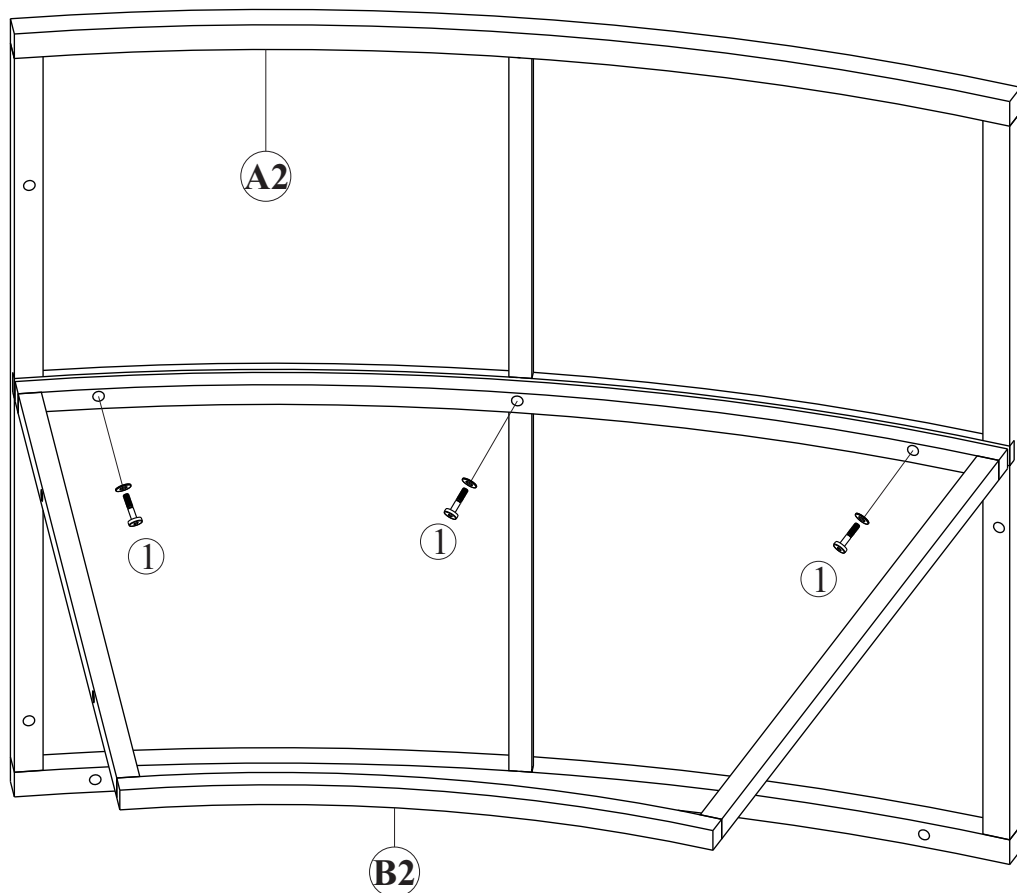
## STEP 21

Connect part from STEP 21 & Front Frame (G2) with Bolt (3)



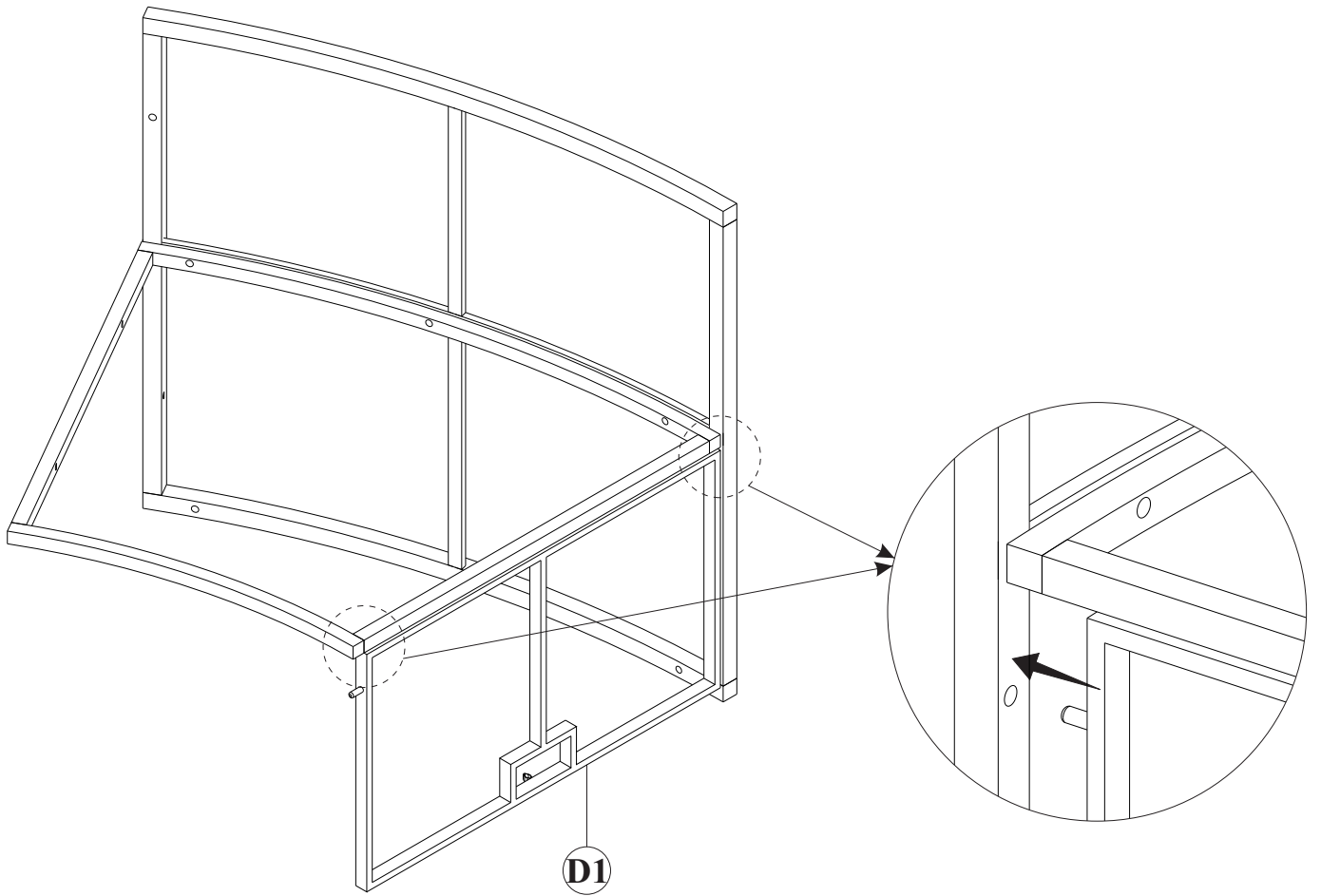
## STEP 22

Connect Back Frame (A2) & Seat Frame (B2) with Bolt (1)

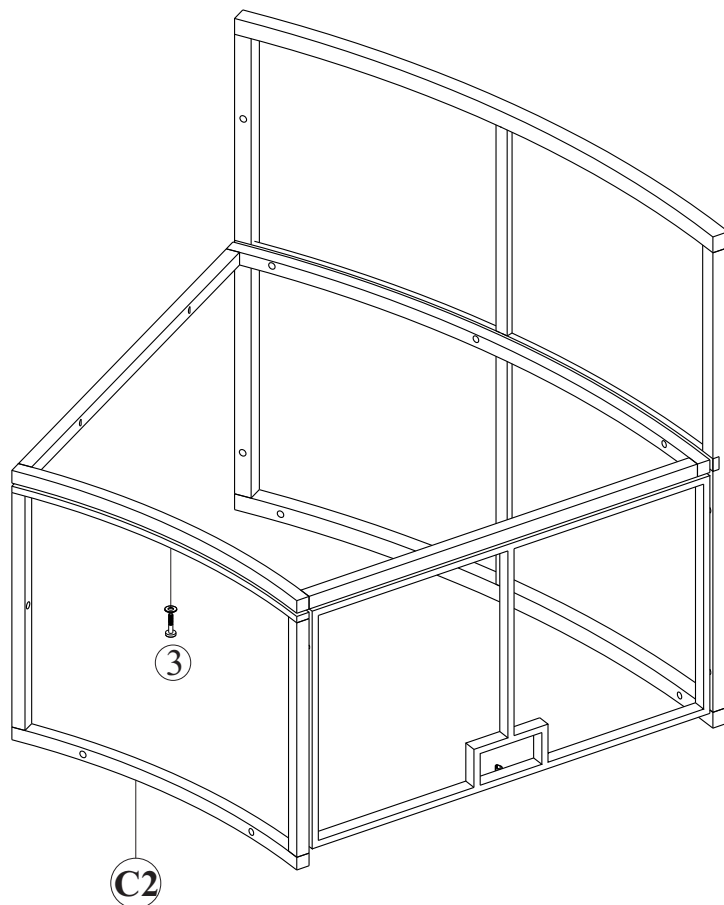




**STEP 23**  
Connect part from STEP 22 & Side Frame (D1)

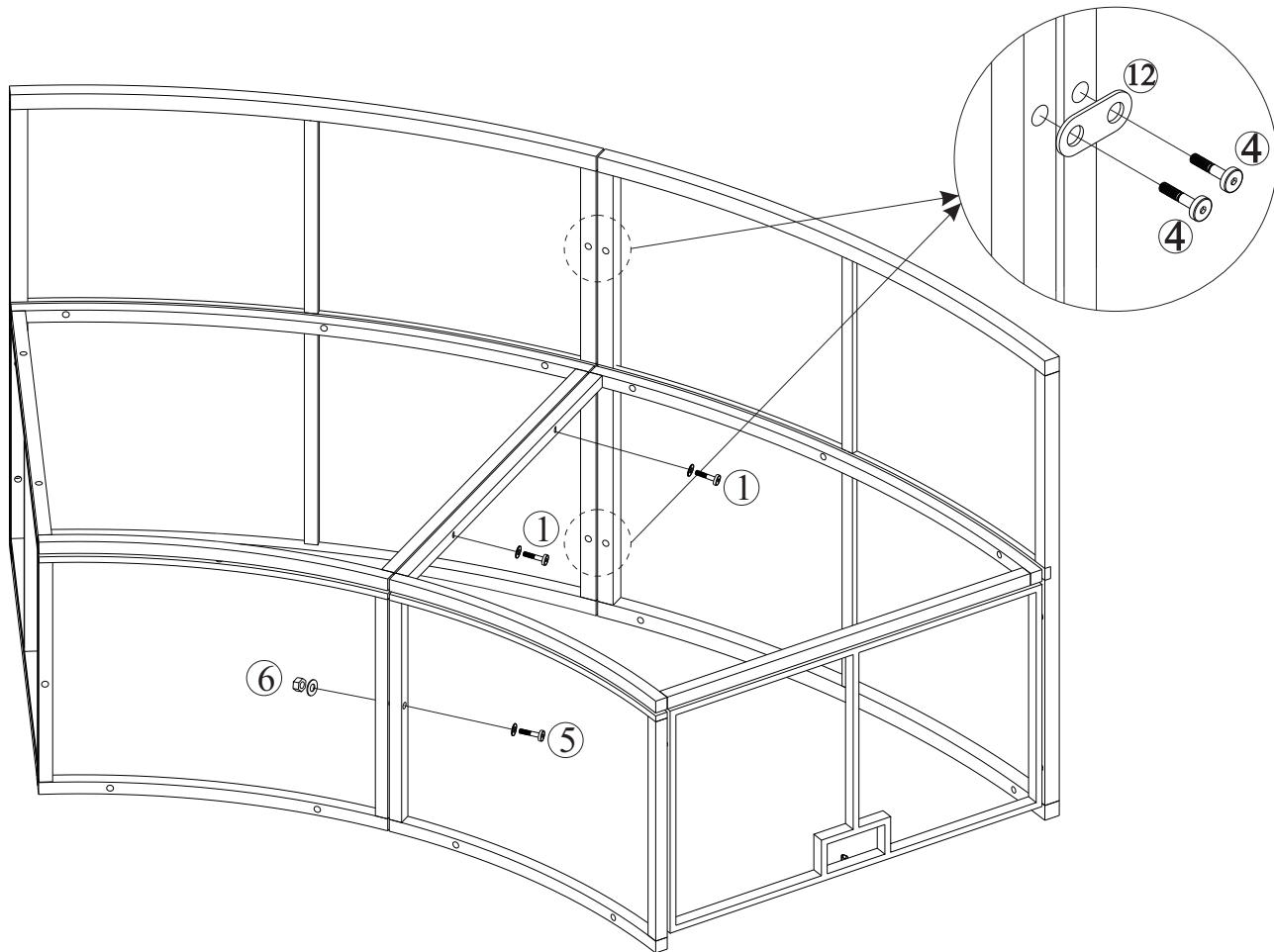


**STEP 24**  
Connect part from STEP 23 & Front Frame (C2) with Bolt (3)



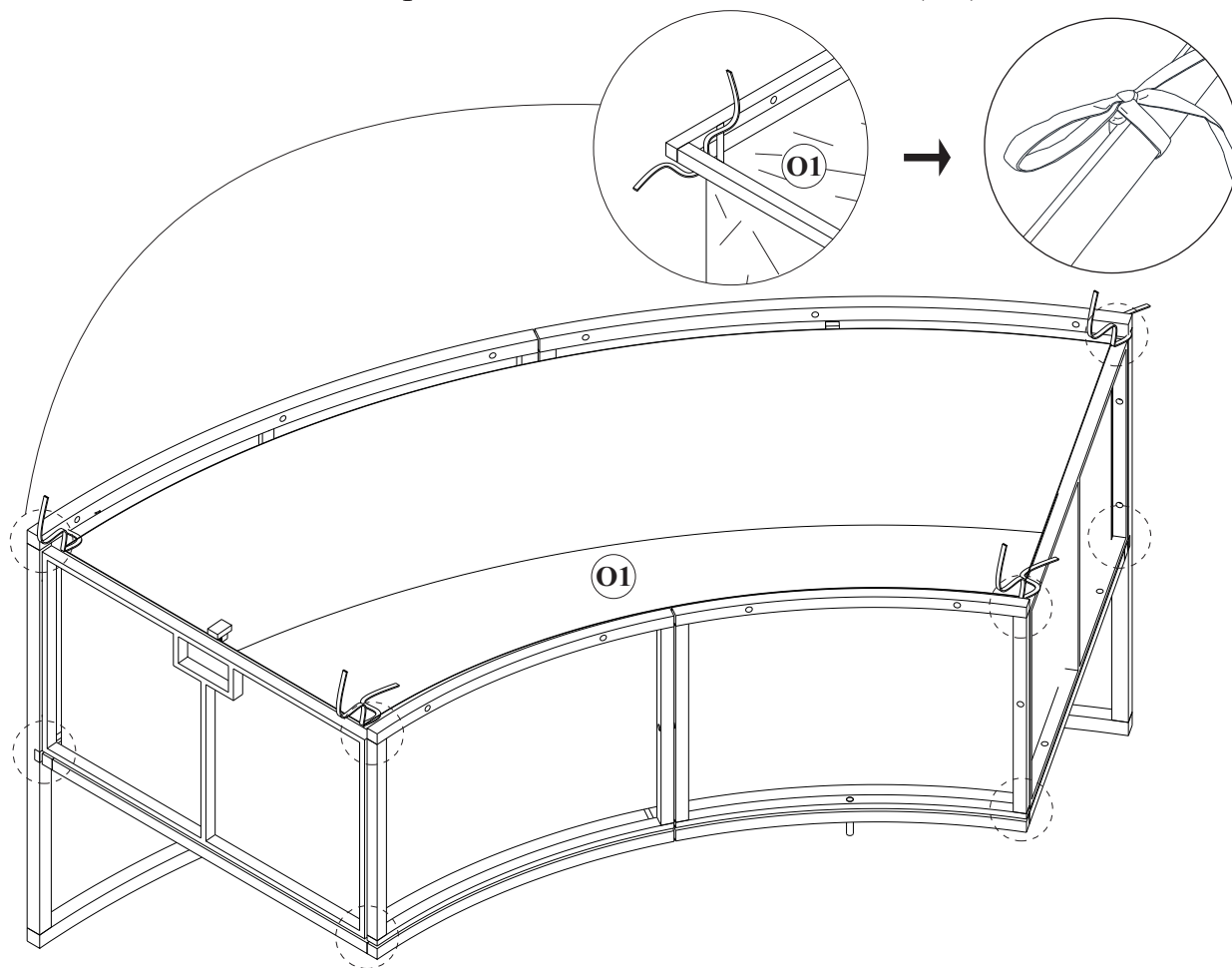
### STEP 25

Connect part from STEPS 21 & 24 with Bolt (1), (4) & Connecting Part (12), (5) & Nut (6)



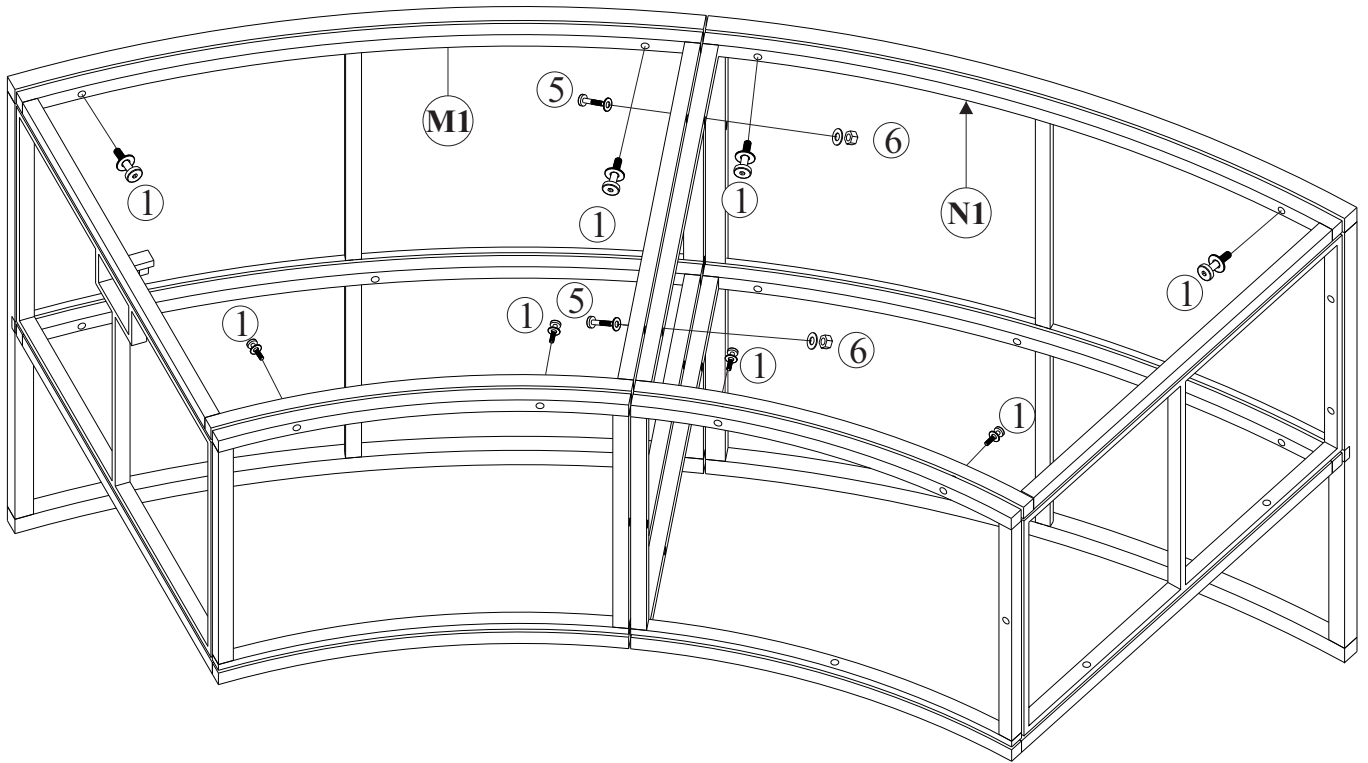
### STEP 26

Connect part from STEP 15 & Rain Cover (O1)



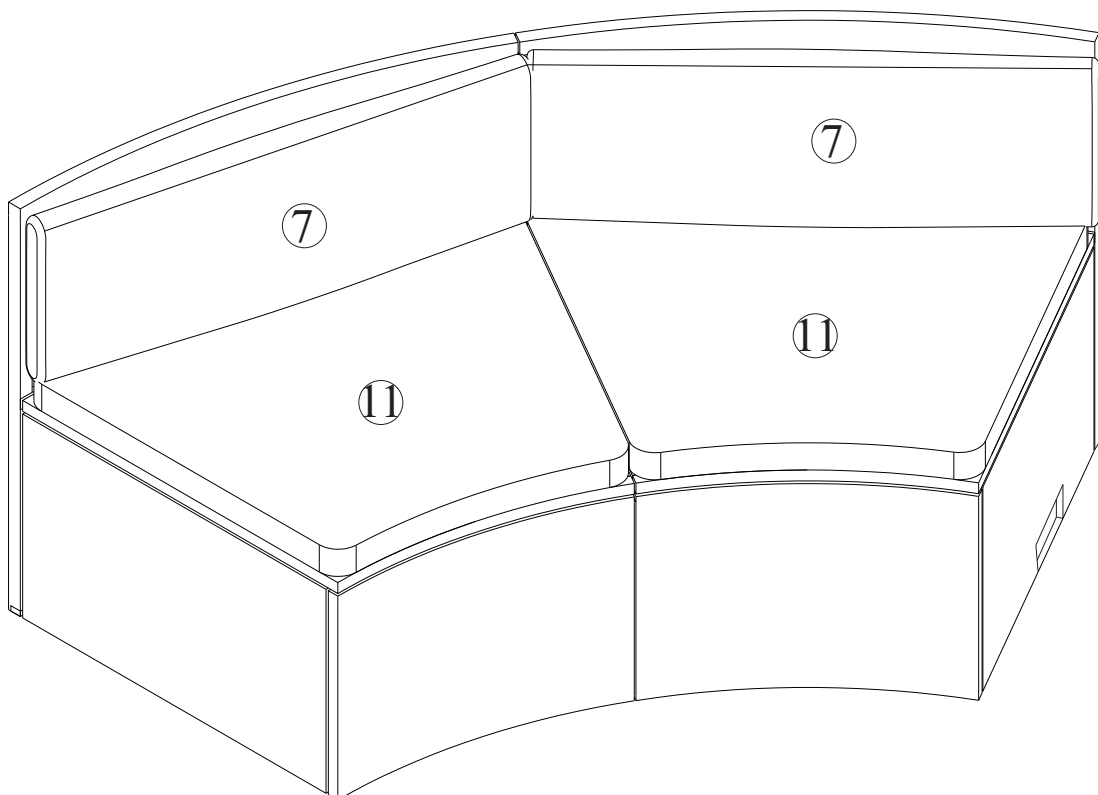
### STEP 27

Connect part from STEP 26 & Bottom Frame (M1), (N1) with Bolt (1), (5) & Nut (6)



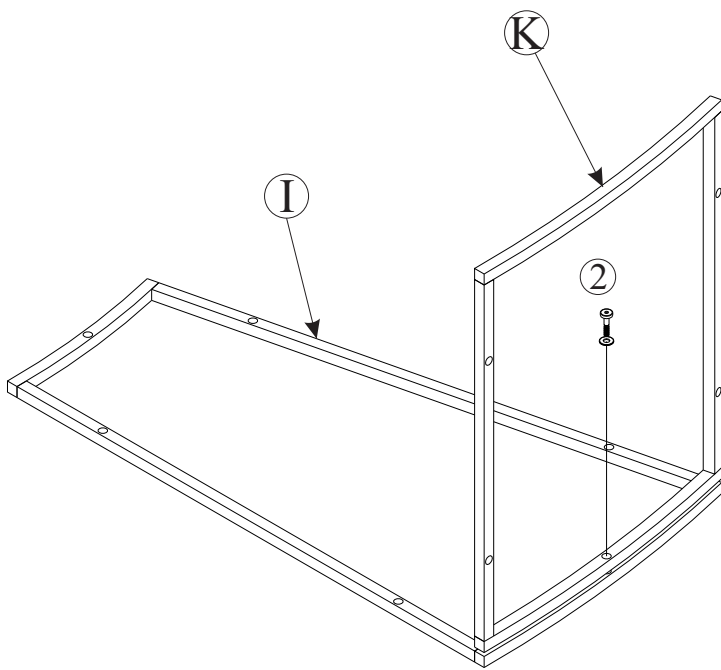
### STEP 28

Put on Seat Cushion (11) & Back Pillow (7) to complete bench round sofa



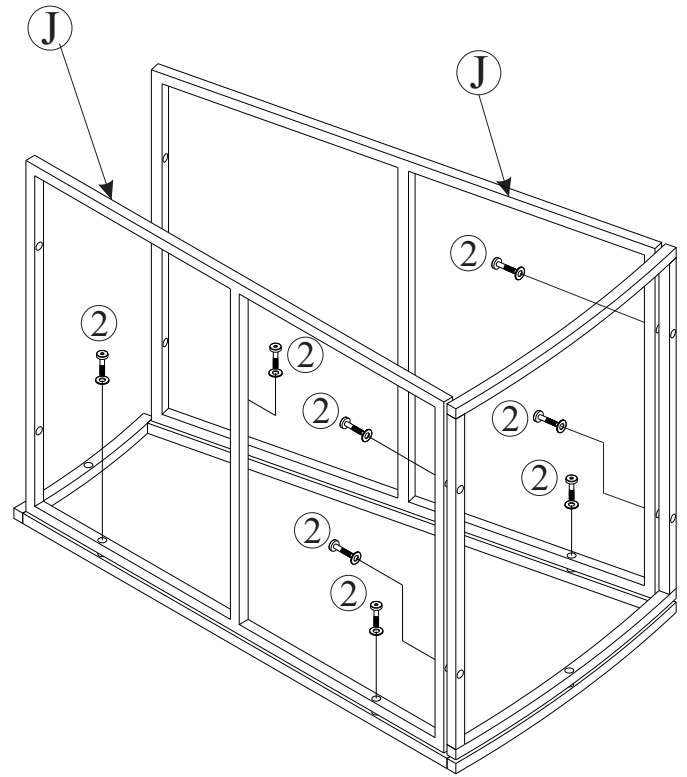
### STEP 29

Connect Table Top Frame (I) & Behind Table Frame (K) with Bolt (2)



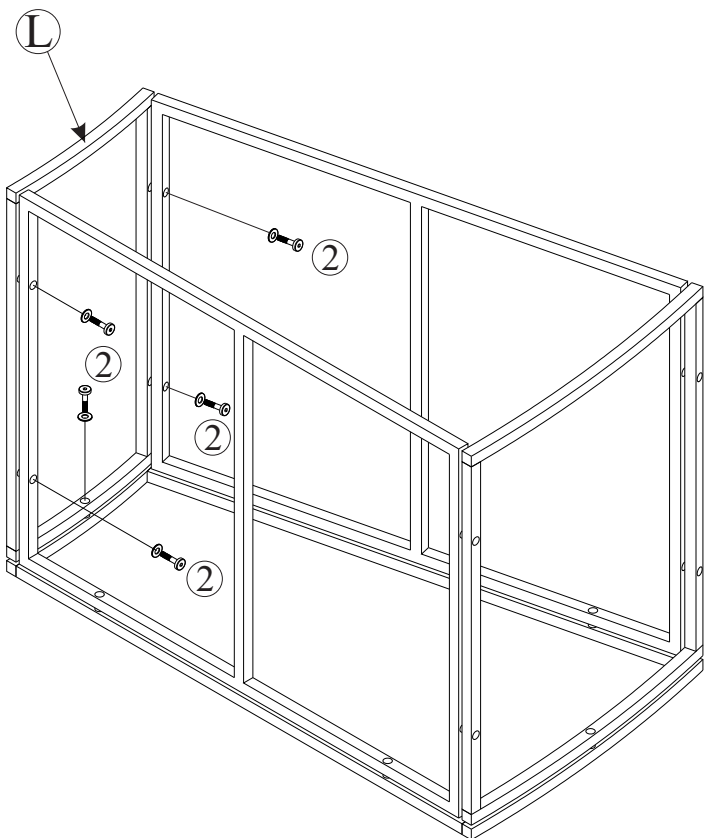
### STEP 30

Connect part from STEP 29 & Table Side Frame (J) with Bolt (2)



### STEP 31

Connect part from STEP 30 & Front Table Frame (L) with Bolt (2)



### STEP 32

Put on Table Glass (8) to complete the table

