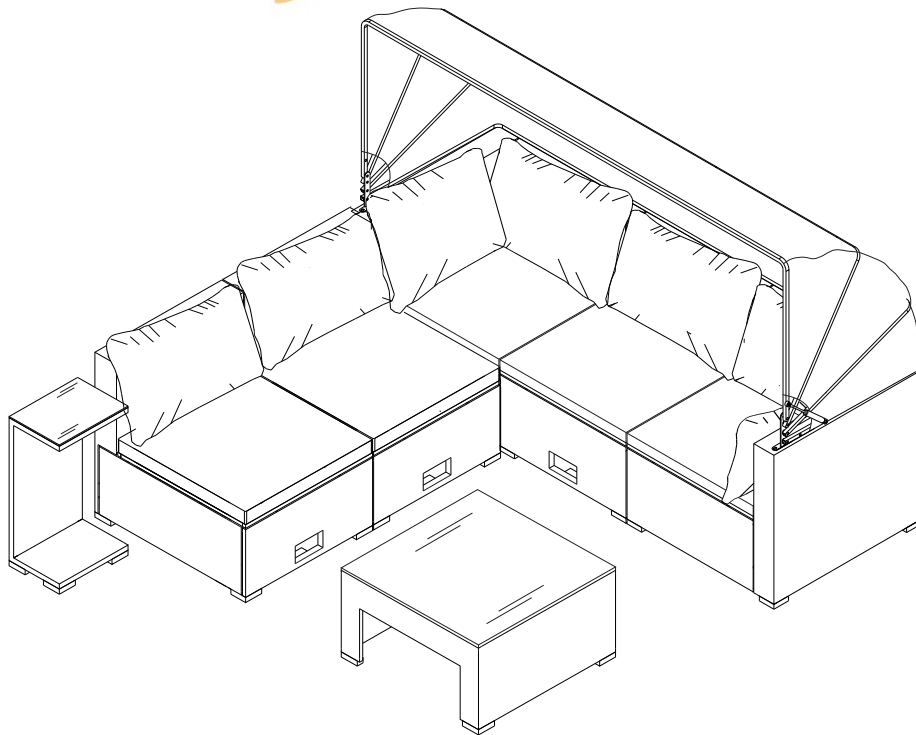


ASSEMBLY MANUAL BRUKSANVISNING

Lyfco®



NOTE: 50% TIGHTEN BEFORE FIXING ALL BOLTS

VIKTIGT – LÄS MONTERINGSANVISNINGARNA NOGA INNAN DU BÖRJAR

Please don't remove the batch code sticker at back side of this product!
Any feedback please take picture of this batch code for traceability purpose

Ta inte bort etiketten med batchnummer som finns på möbeln. Om du behöver hjälp med service eller reklamation av din möbel – ange möblensbatchnummer till återförsäljaren, så att du kan få rätt reservdelar till just din möbel.

XX-YYWW

SKU: 166-1-64

Model name: Bäckviken

Modellnamn: Bäckviken

Konsumentkontakt

Arc E-commerce AB

Box 3124

13603 Haninge

Attention! Please note that at first all screws should be inserted slightly by hand! Turn 2-3 times so that the screw grips on its own and connects all elements loosely. The screws must only be driven in tightly when all elements are connected with each other in this way. Otherwise the setup won't be possible. Only by driving them in tightly afterwards, small deviations of the borehole or the welded joints, which always occur with handcrafted products, can be compensated.

Var uppmärksam! Sätt först i samtliga skruvar löst. Dra inte åt, för då finns risk att skruvhålen inte passar.

Notes on an optimized assembly:

Before you completely tighten the screws, check carefully all the screws and tighten them (only) to the extent that the product remains (especially chairs or loungers) still under load. If you are sure that your product can withstand load, place it on a solid, level ground and put some weight on it, please carefully and always with cushions. The various components can then align with each other. Then tighten completely the screws. Thus you achieve an optimal alignment of the product and prevent wobbling. Don't sit, find some weight.

Innan du drar åt skruvarna helt, gör såhär för bästa resultat:

Ställ möbeln på en helt slät yta och lägg ett tillräckligt tungt föremål (ca 10-15kg) på den, så att alla ben nuddar marken. Skruva därefter i skruvarna helt. Obs – använd inte din kroppstyngd, då det är för mycket vikt. Om du följer dessa råd, blir din möbel stabil.

Om du inte följer dessa instruktioner kommer möbeln att bli ostadig och "vickig" då produkten upplevs ojämn.

Your new product was made by hand. Slightly irregularities are rather seen as a quality attribute than as a reason for complaints.

Din nya möbel är handgjord. Små avvikelser kan därför förekomma och är ett kvalitetsattribut snarare än ett fel.

Tip: Always fully insert the hex key inside designated notch of screw.

Tips: Var noga att alltid sätta in insexnyckeln helt ner i skuven.



If you don't do that and slip out of the screw, the screw will suffer damage and it can cause the screw head to become round inside you won't be able to find grip with the hex key anymore!

Om du inte gör det finns risk att insexnyckeln slinter, vilket skadar skruven. Skruven kan då bli obrukbar.

✘ DONT'S

Don't use this product if parts are missing, damaged or worn down.

Don't use any electronic tools to set up these products. The high energy of these electronic tools will cause screw overtightening and therefore they won't grip.

Don't overtighten screws or bolts. Only tighten the screws entirely after the product is completely set up. You shouldn't sit or stand on it.

Don't let your product stand in the rain. Protect it from weather impacts. In times of freeze and over the winter, we suggest you to store the product in a covered dry place.

✘ VIKTIGT

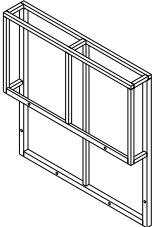
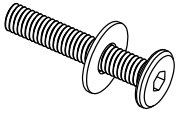
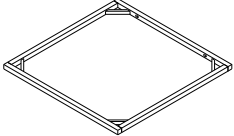
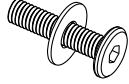
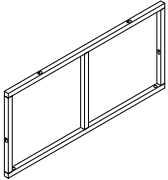
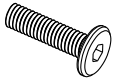
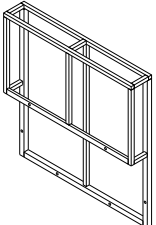
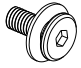
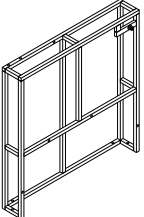
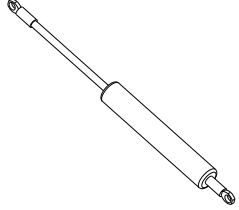
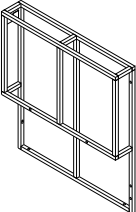
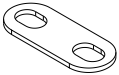
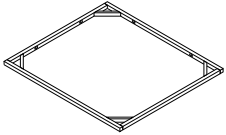
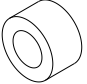
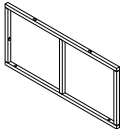
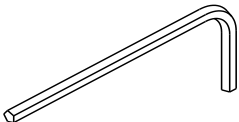
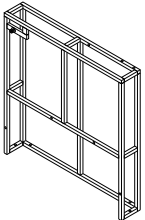
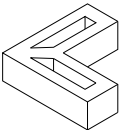
Använd inte den här produkten om delar saknas, är skadade eller utslitna.

Använd inte elektriska skruvdragare för att montera produkten. Den höga kraften i elektriska verktyg kommer dra åt skruvarna för hårt vilket kan skada gängorna.

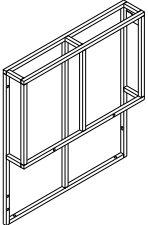
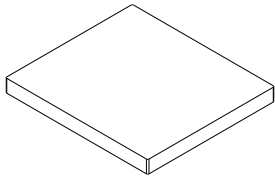
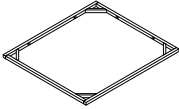
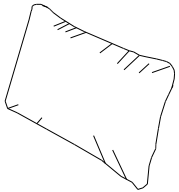
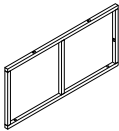
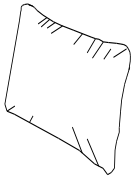
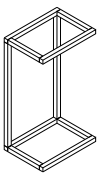
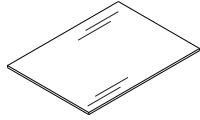
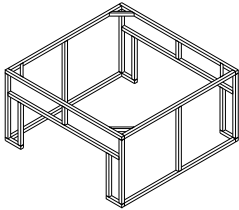


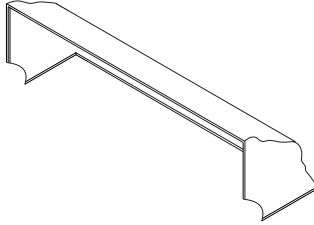
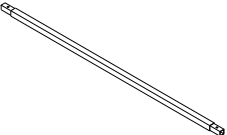


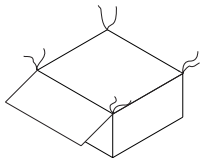

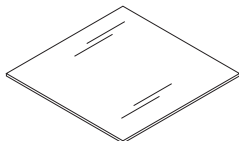
Spänn inte skruvar eller muttrar för hårt. Dra åt alla skruvar efter att hela möbeln monterats. Stå eller sitt inte på bordet.

För att förlänga livslängden på möbeln, undvik att låta den stå i regn. Under vintertid rekommenderar vi att möbeln förvaras inomhus, i torr miljö.

Component**Hardware**

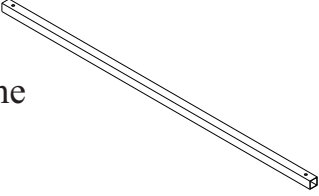
A  Back frame	2 pcs	1  Bolt M6x40mm	24 pcs
B  Seat frame	3 pcs	2  Bolt M6x35mm	62 pcs
C  Side frame	2 pcs	3  Bolt M6x25mm	40 pcs
D  Connective back frame	1 pc	4  Bolt M6x20mm	20 pcs
E  Right frame	1 pc	5  Gaslift	2 pcs
F  Right back frame	1 pc	6  Connecting part	8 pcs
G  Right seat frame	1 pc	7  Plastic washer M8x10mm	4 pcs
H  Right front frame	1 pc	8  Allen key	1 pc
I  Left frame	1 pc	9  Leg soles	28 pcs

Component**Hardware**

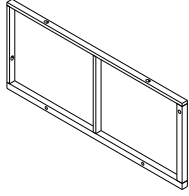
J Left back frame 	1pc	10 Seat cushion 	5 pcs
K Left seat frame 	1 pc	11 Back pillow 	5 pcs
L Left front frame 	1 pc	12 Small back pillow 	2 pcs
M Table 	1 pc	13 Table glass 	1 pc
N Ottoman 	1 pc	14 Connecting part 	2 pcs
P Connecting frame 	4 pcs	15 Cover fabric 	1 pc
Q Connecting frame 	4 pcs	16 Screw 	16 pcs
R Connecting frame 	2 pcs	17 Rain cove 	2 pcs
S Connecting frame 	2 pcs	18 Glass 	1 pc

Component

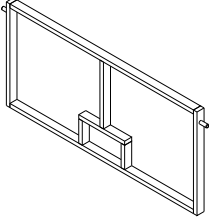
Hardware

<p>T</p> <p>Connecting frame</p> 
--

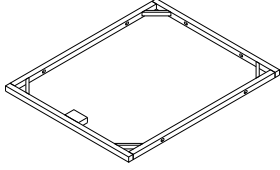
8 pcs

<p>U</p> <p>Left side frame</p> 

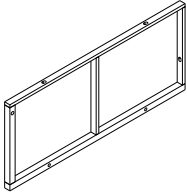
3 pcs

<p>X</p> <p>Front frame</p> 

3 pcs

<p>V</p> <p>Bottom frame</p> 
--

3 pcs

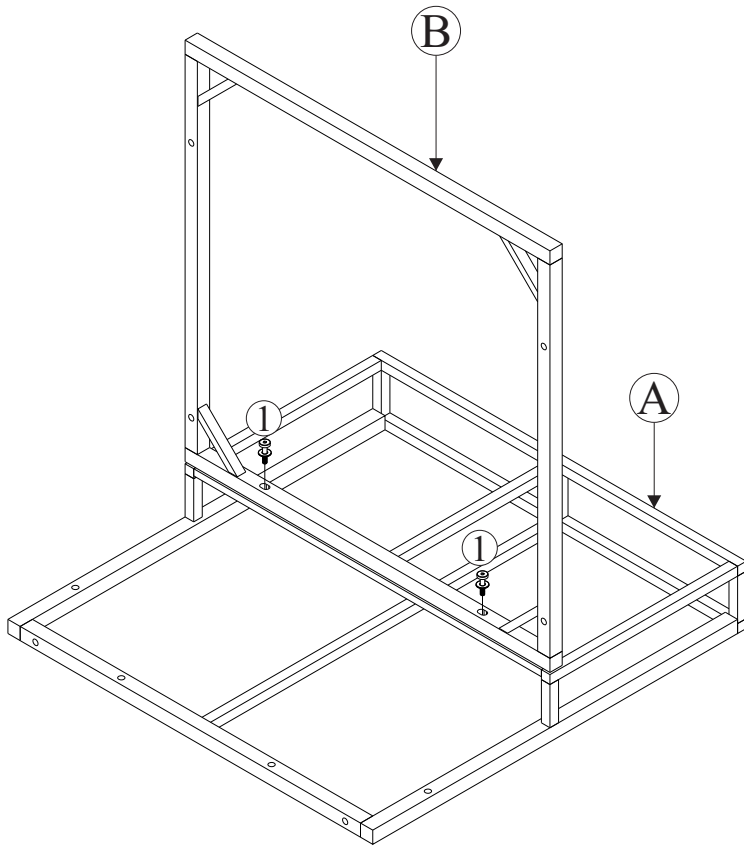
<p>Y</p> <p>Right side frame</p> 
--

3 pcs

--

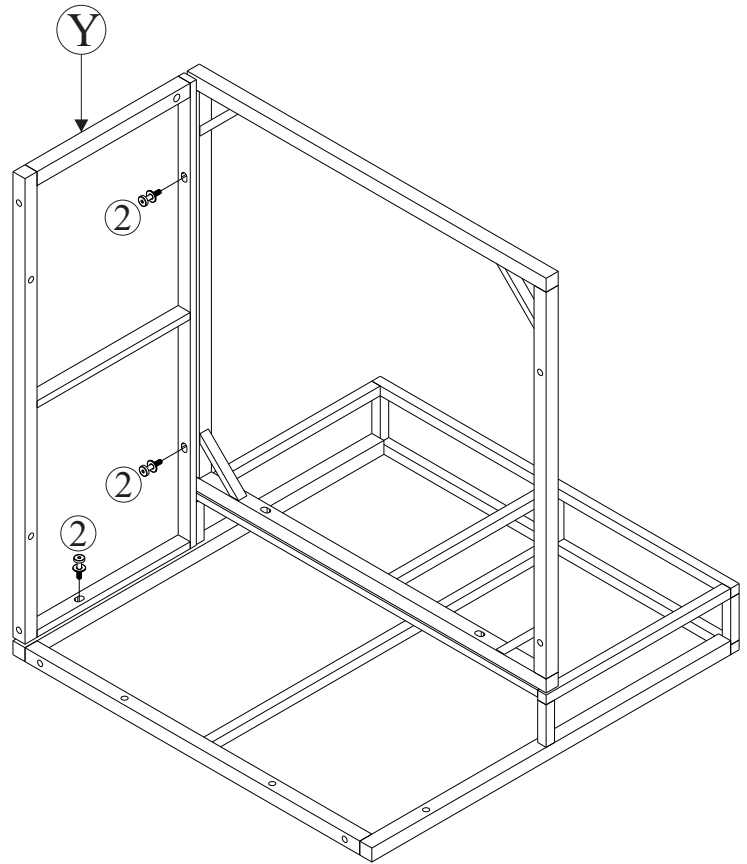
STEP 1 (Single sofa : 2 pcs)

Connect Back frame (A) & Seat frame (B) with Bolt (1)



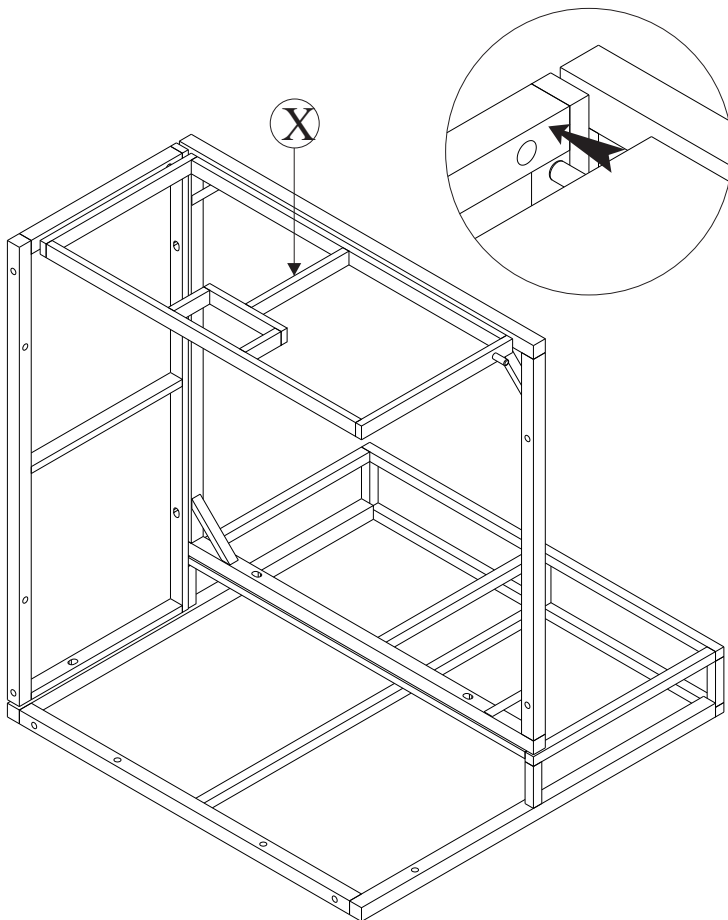
STEP 2

Connect part from STEP 1 & Right side frame (Y) with Bolt (2)



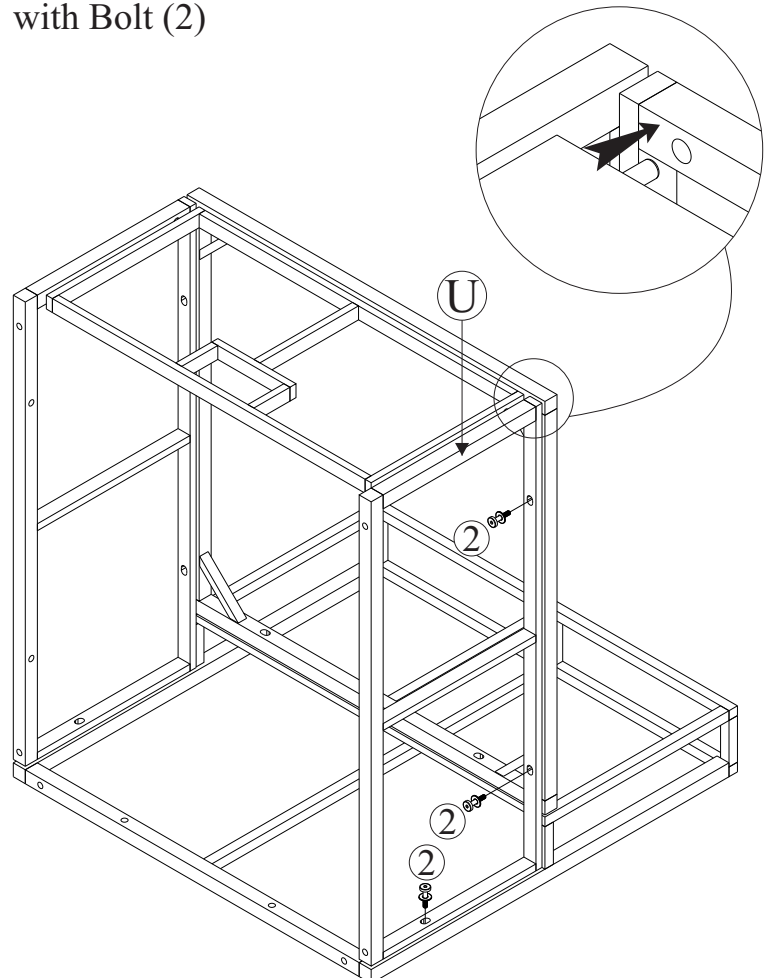
STEP 3

Connect part from STEP 2 & Front frame (X)



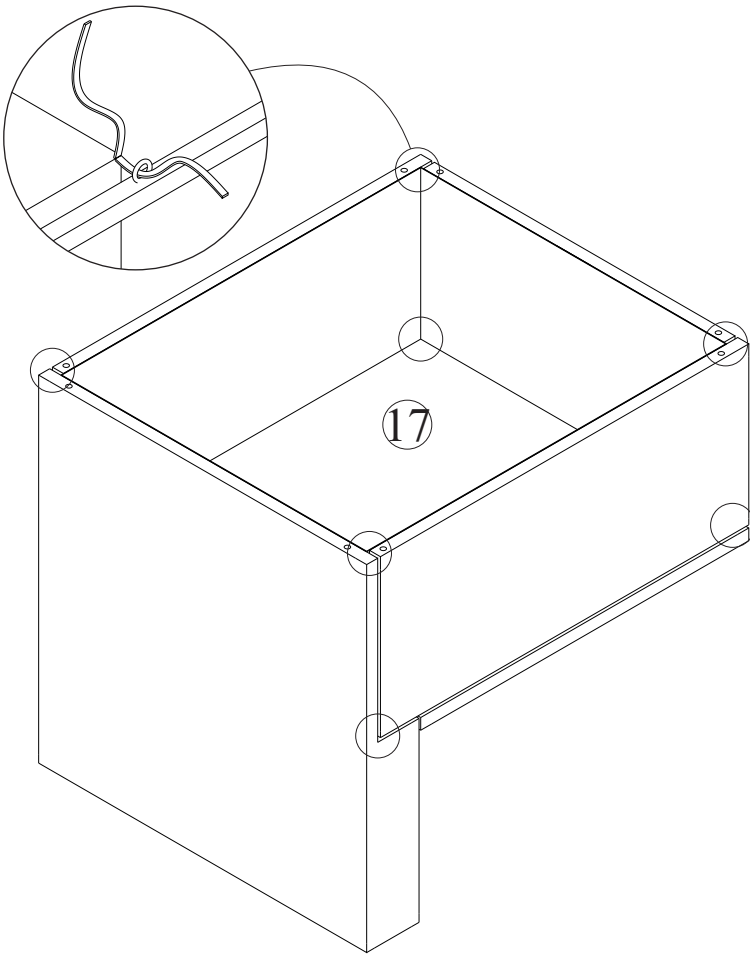
STEP 4

Connect part from STEP 3 & Left side frame (U) with Bolt (2)



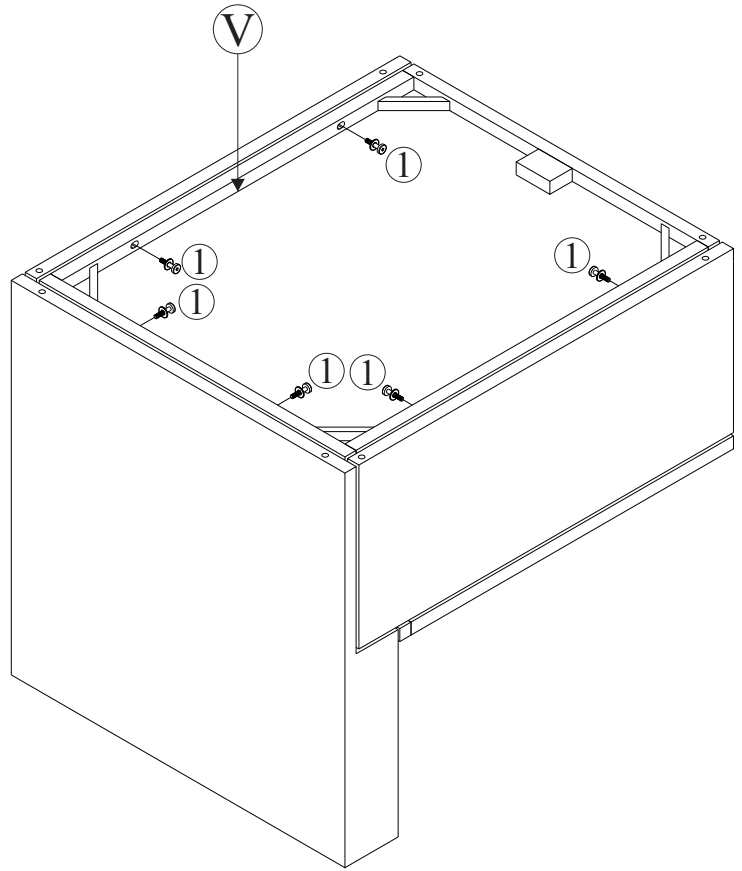
STEP 5

Connect part from STEP 4 & Rain cover (17)



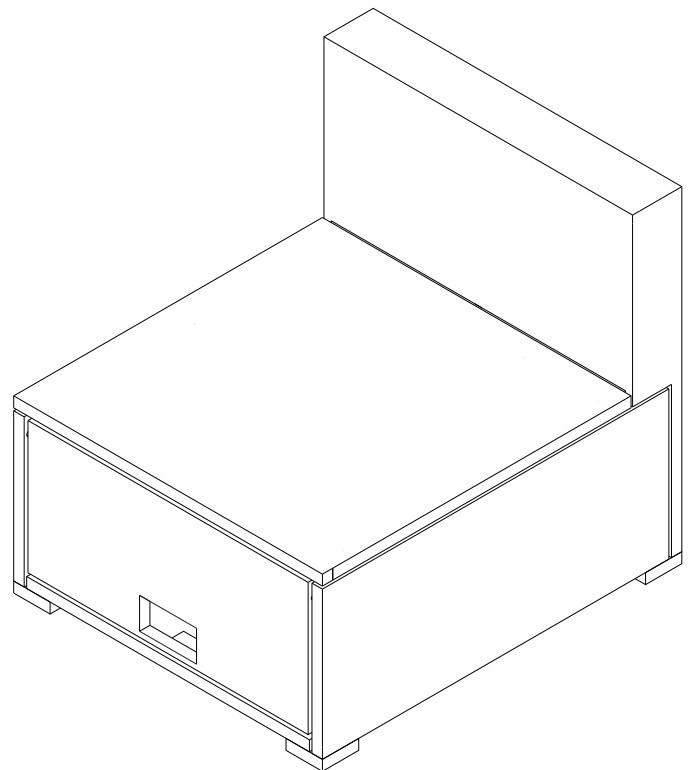
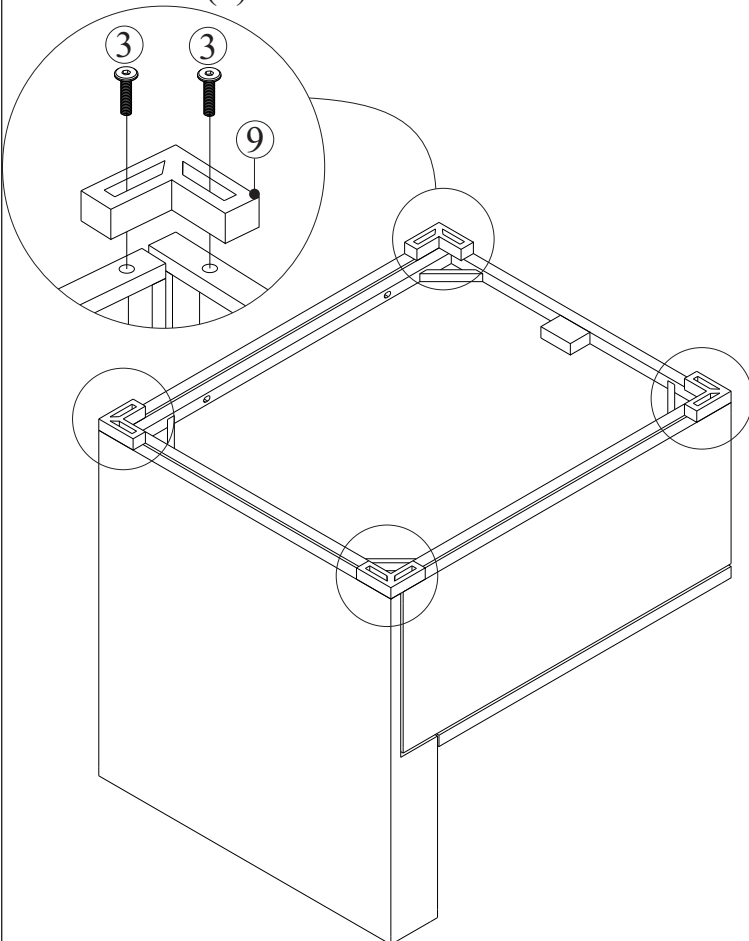
STEP 6

Connect part from STEP 5 & Bottom frame (V) with Bolt (1)



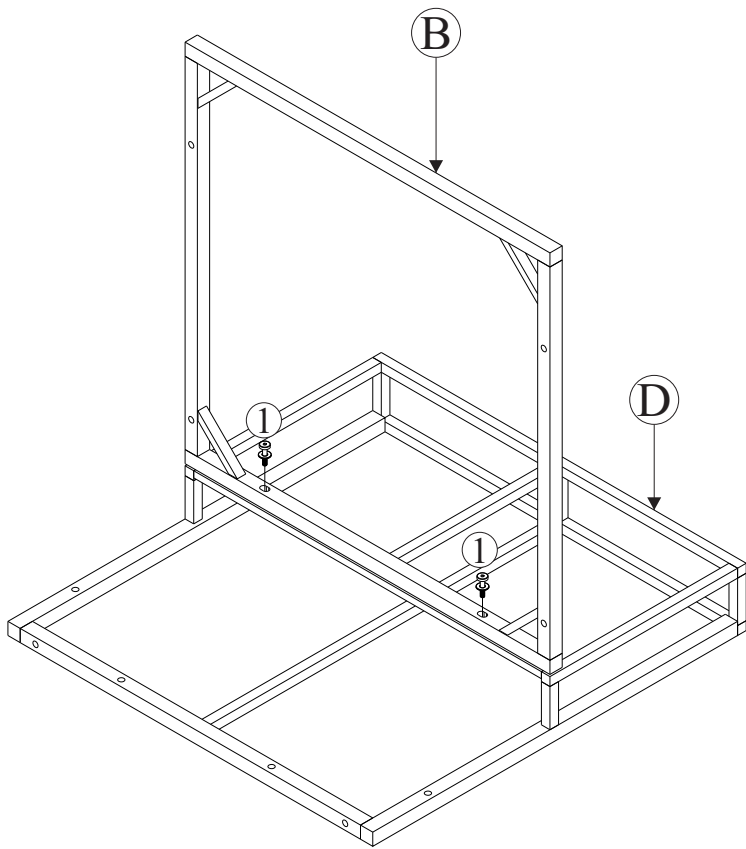
STEP 7

Connect part from STEP 6 & Leg soles (9) with Bolt (3)



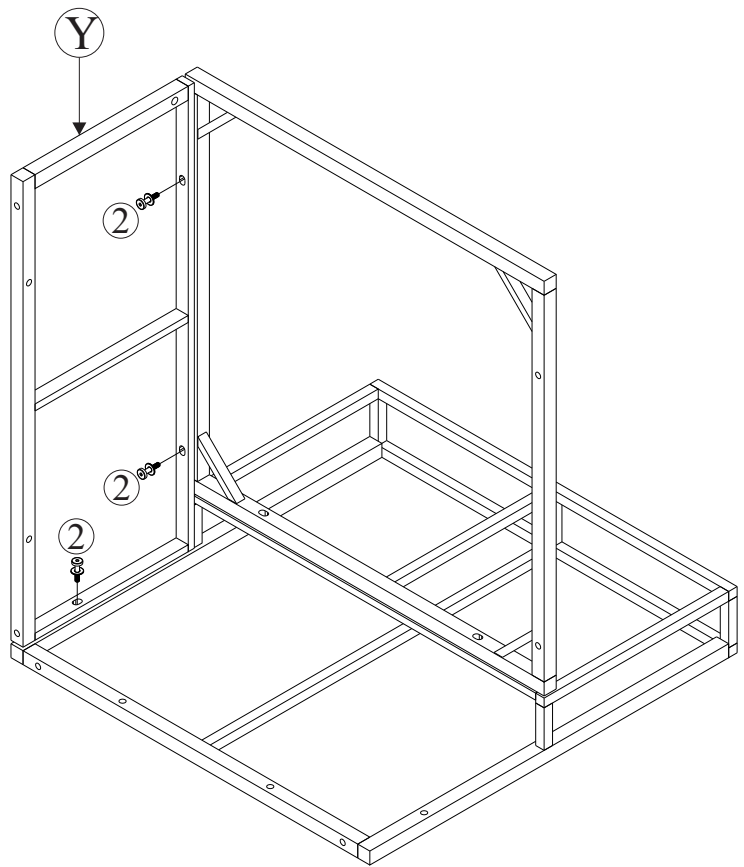
STEP 8 (Single Connective sofa : 1 pc)

Connect Connective back frame (D) & Seat frame (B) with Bolt (1)



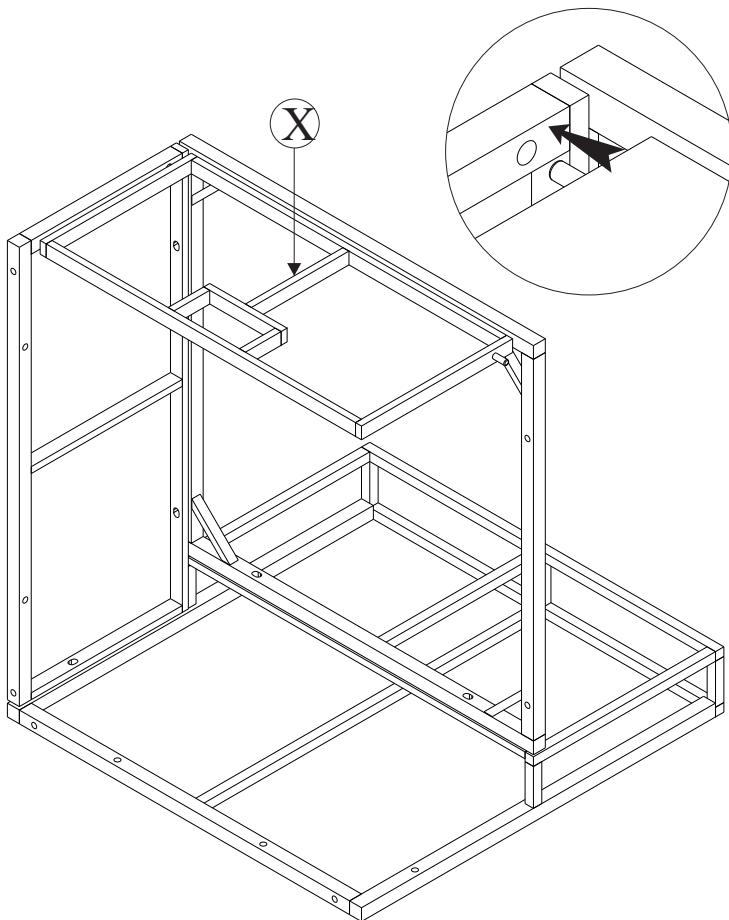
STEP 9

Connect part from STEP 8 & Right side frame (Y) with Bolt (2)



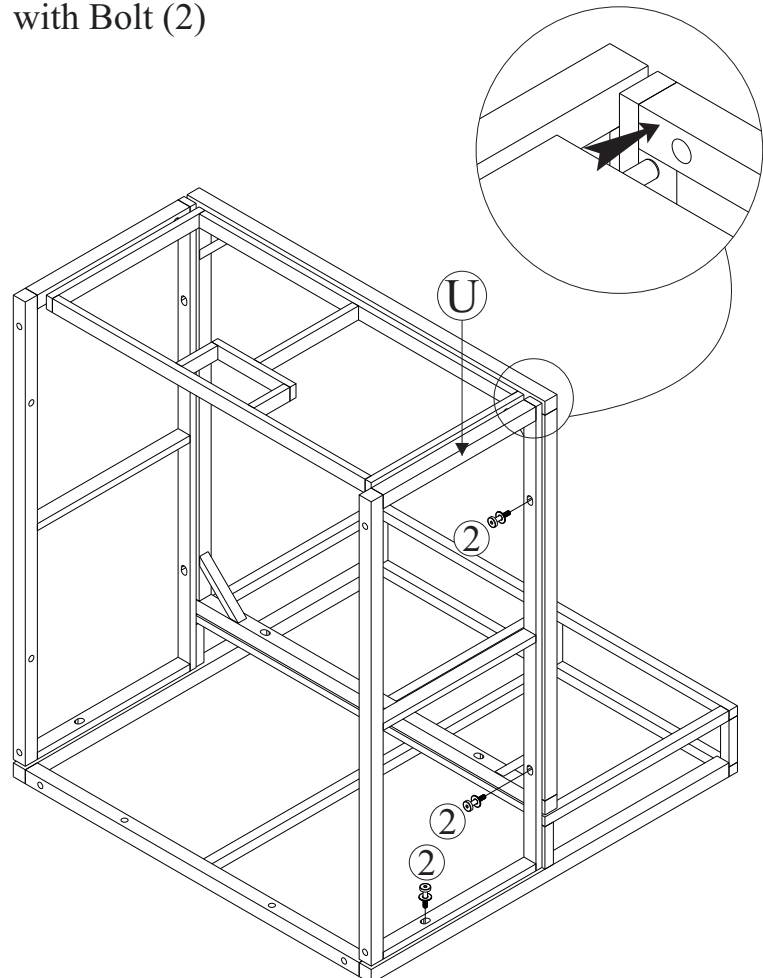
STEP 10

Connect part from STEP 9 & Front frame (X)



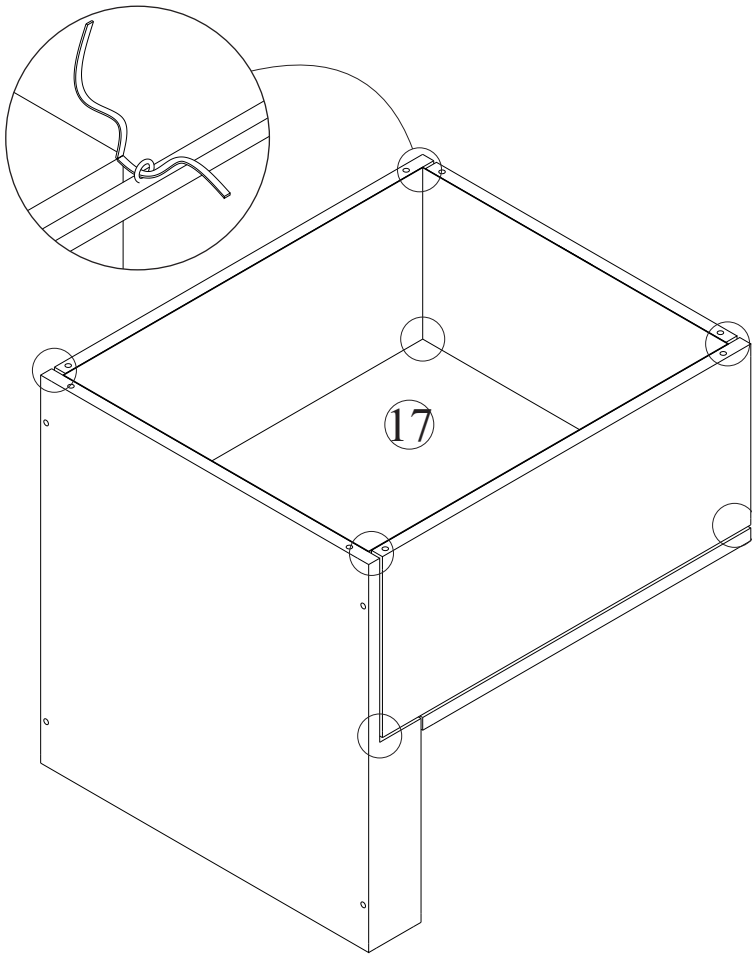
STEP 11

Connect part from STEP 10 & Left side frame (U) with Bolt (2)



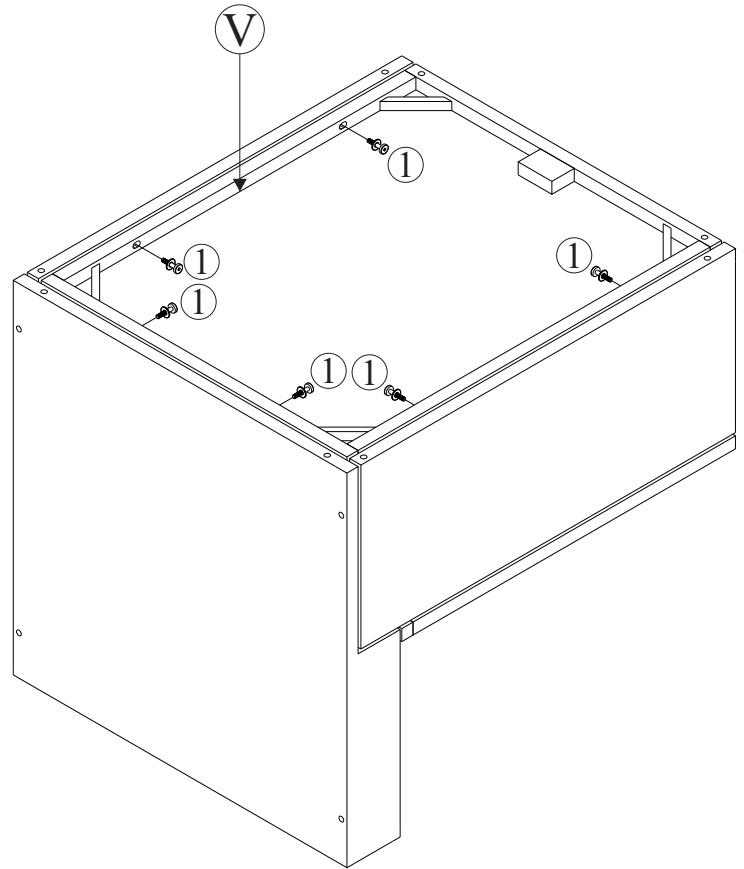
STEP 12

Connect part from STEP 11 & Rain cover (17)

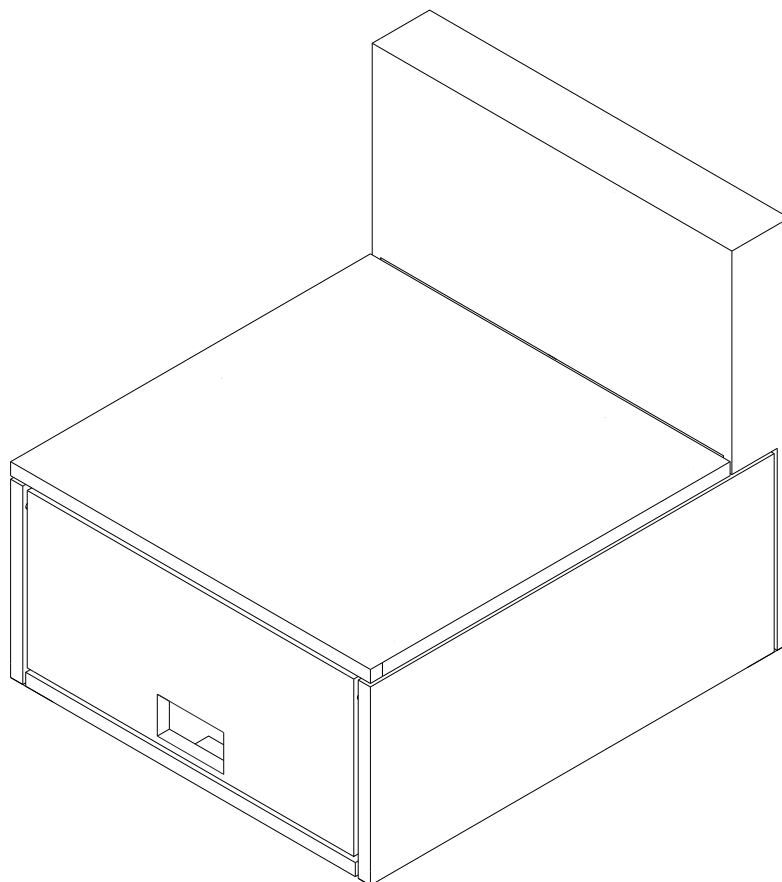


STEP 13

Connect part from STEP 12 & Bottom frame (V) with Bolt (1)

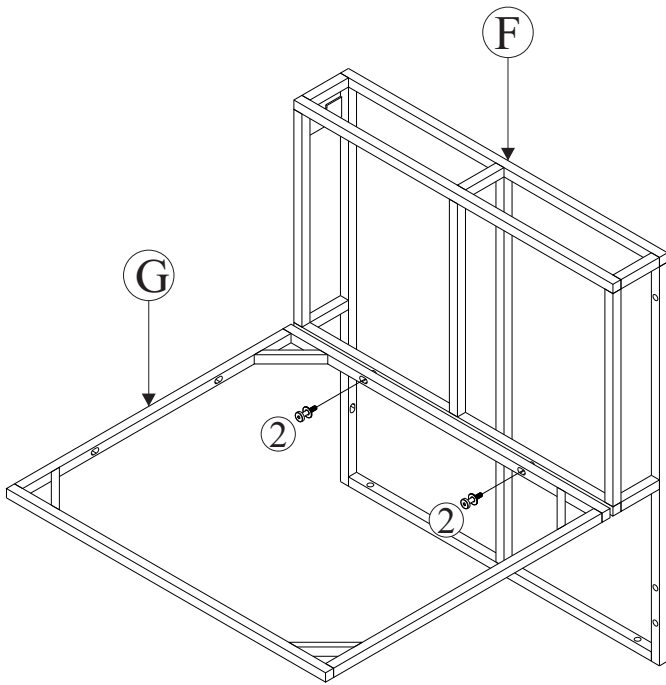


In this STEP, don't assembly the Leg soles (9)



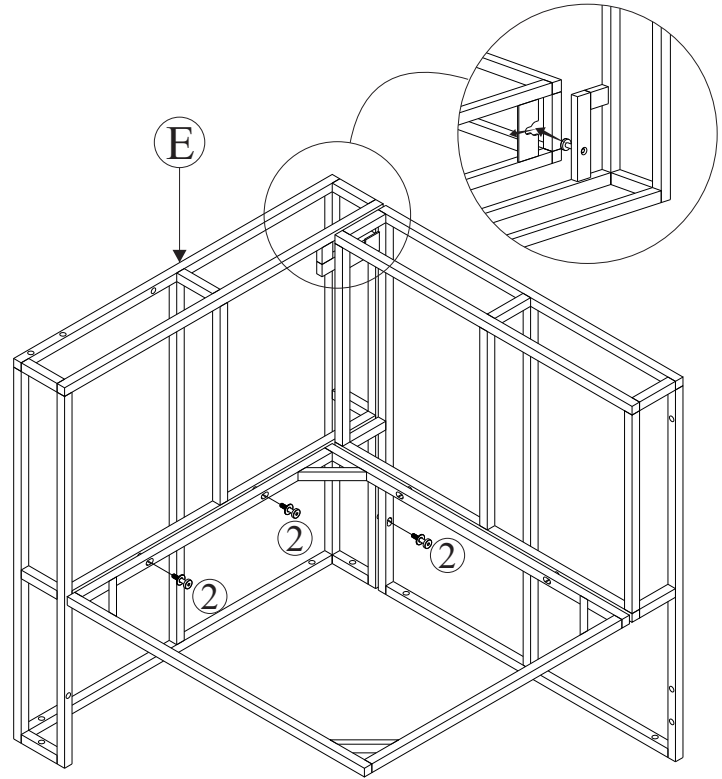
STEP 14

Connect Right Back Frame (F) & Right Seat Frame (G) with Bolt (2)



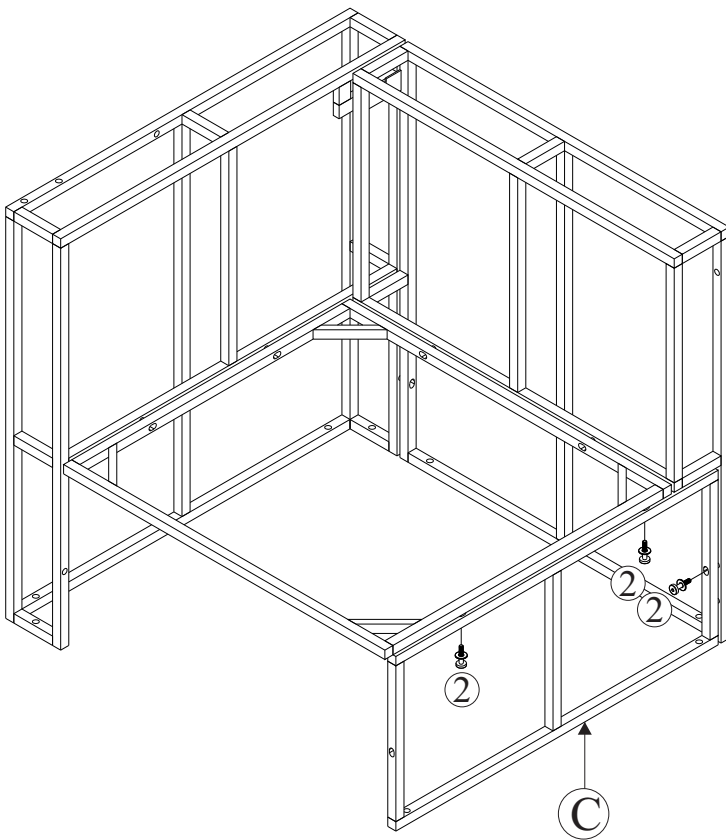
STEP 15

Connect part from STEP 14 & Right Frame (E) with Bolt (2)



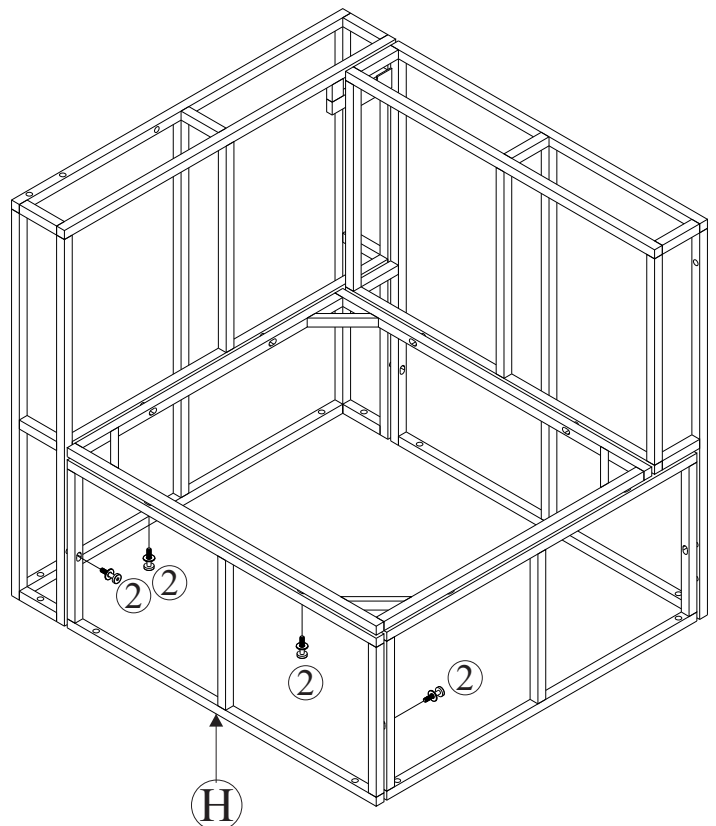
STEP 16

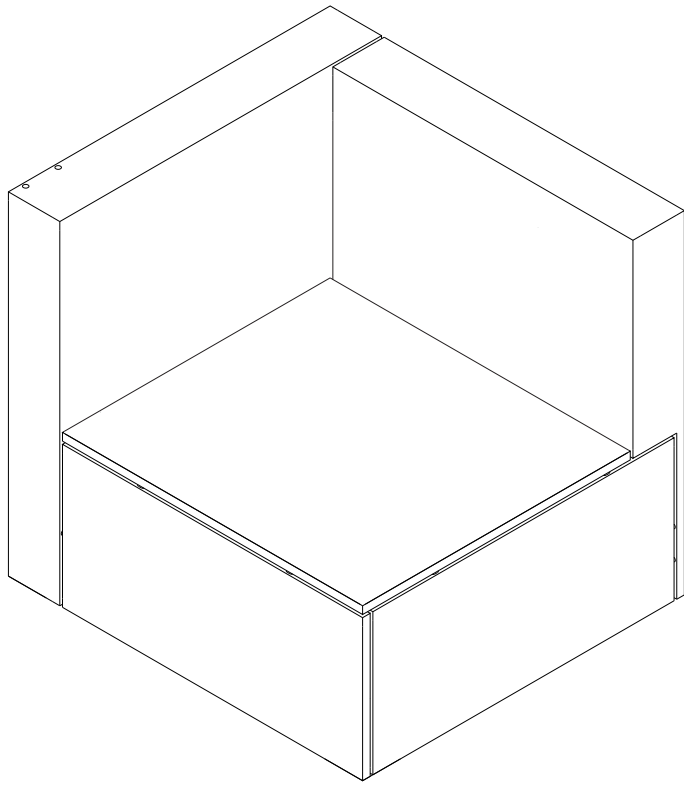
Connect part from STEP 15 & Side Frame (C) with Bolt (2)



STEP 17

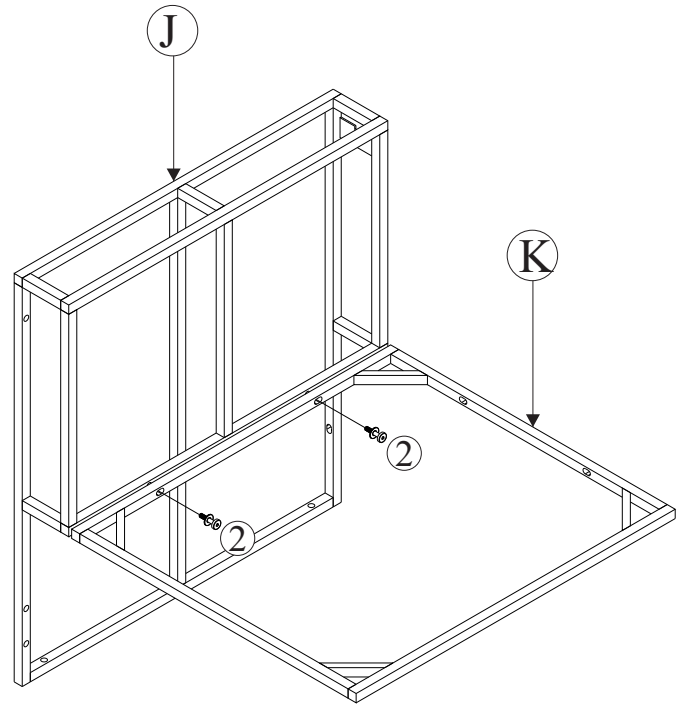
Connect part from STEP 16 & Right Front Frame (H) with Bolt (2)





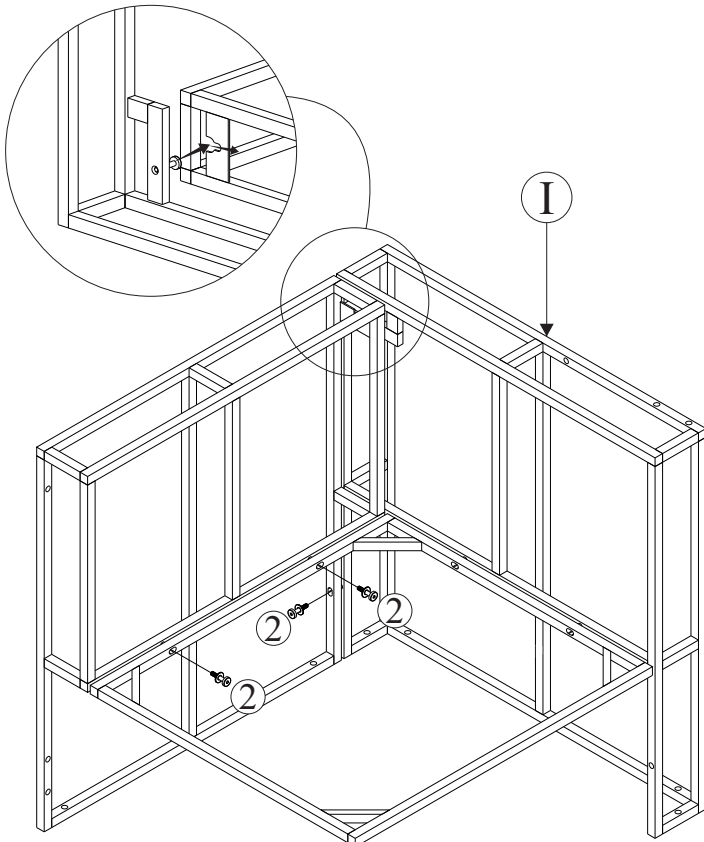
STEP 18

Connect Left Back Frame (J) & Left Seat Frame (K) with Bolt (2)



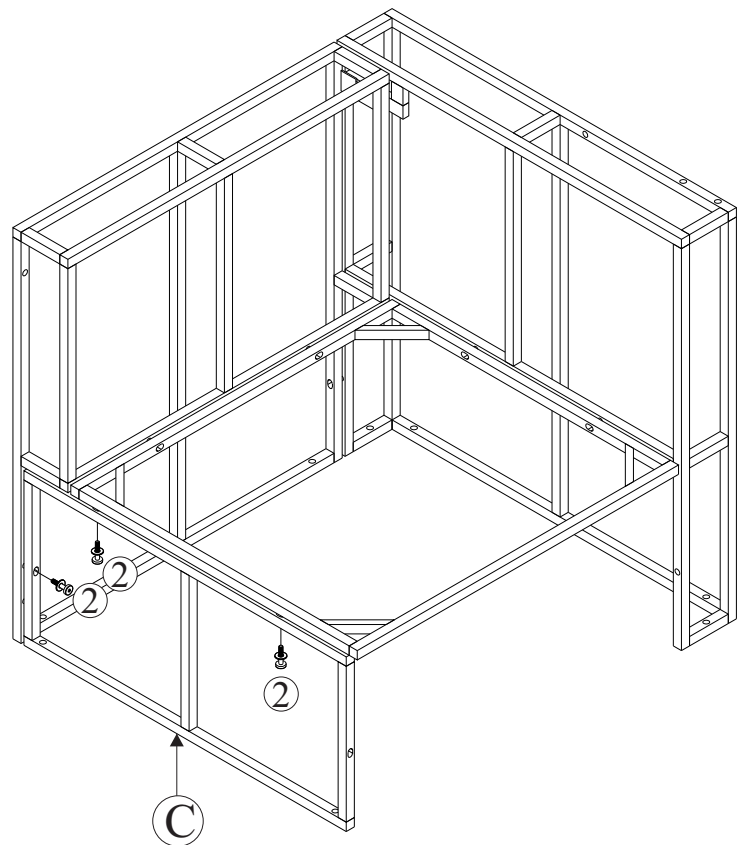
STEP 19

Connect part from STEP 18 & Left Frame (I) with Bolt (2)



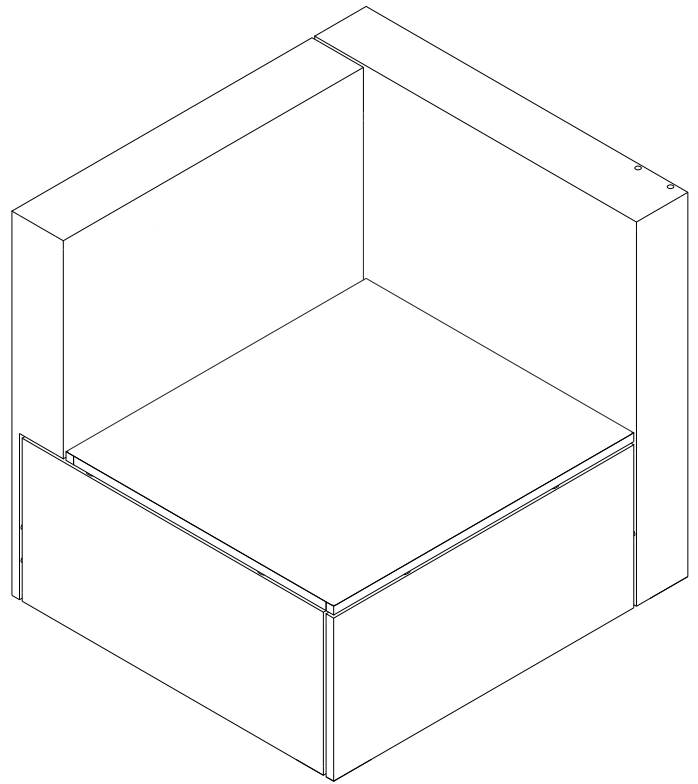
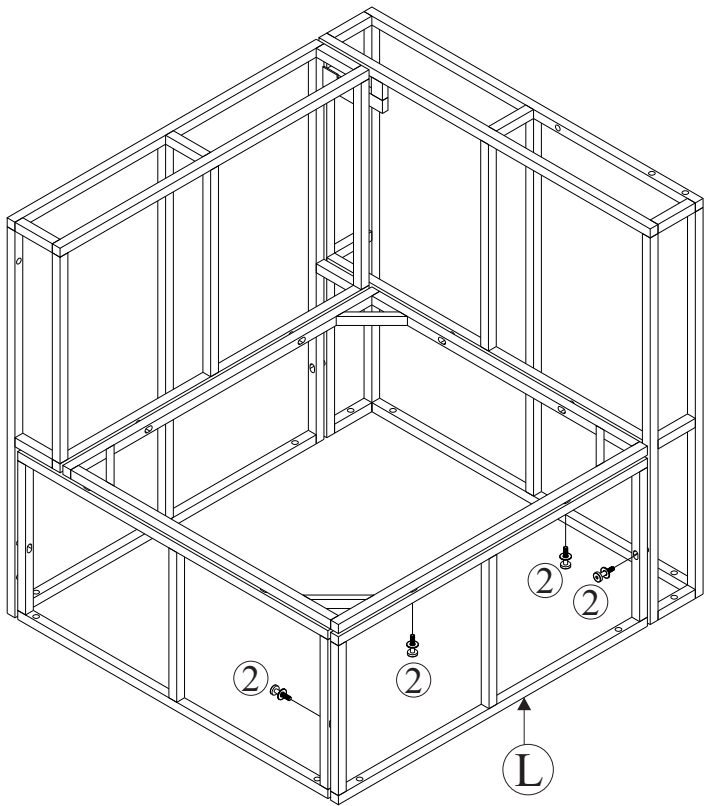
STEP 20

Connect part from STEP 19 & Side Frame (C) with Bolt (2)



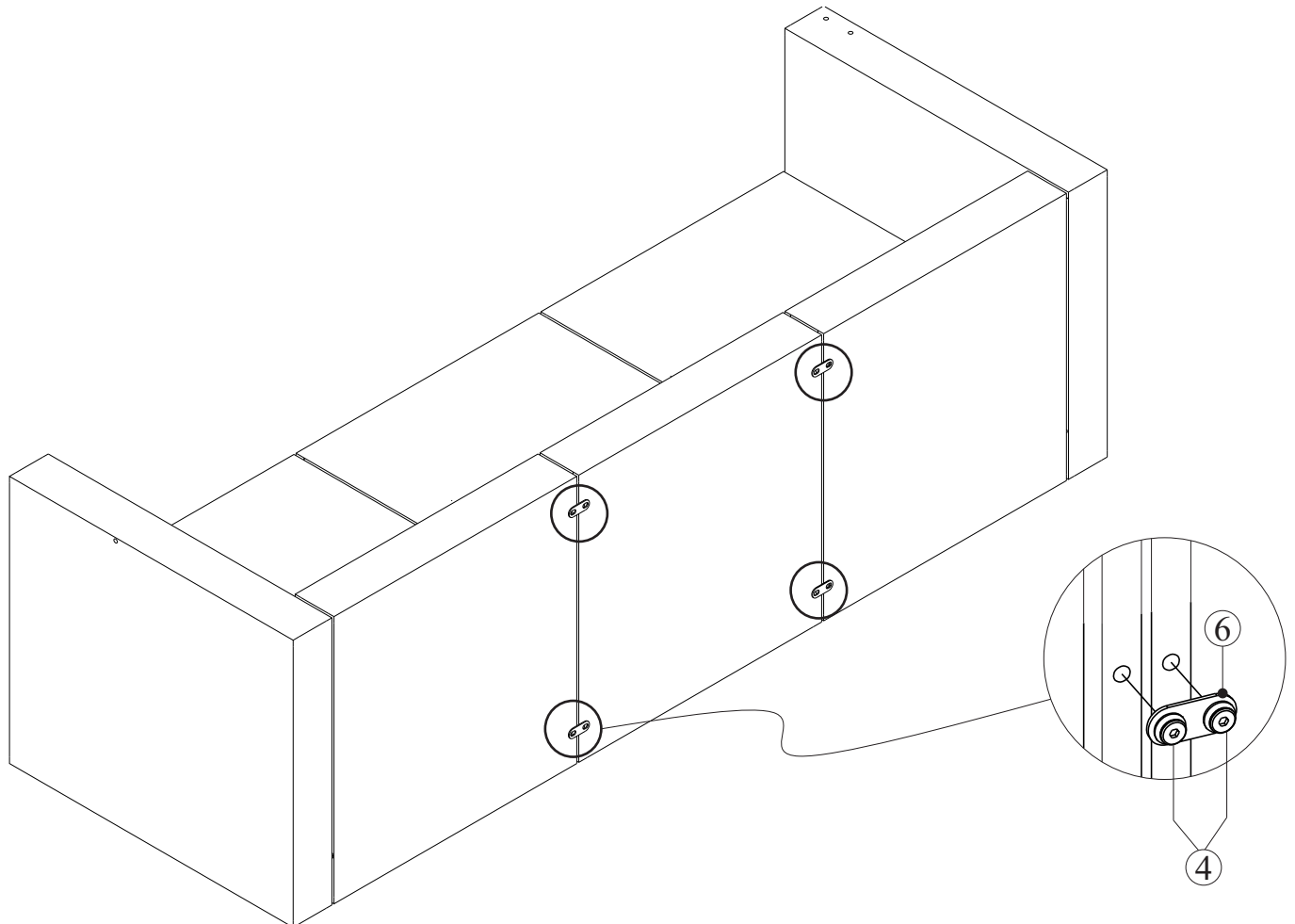
STEP 21

Connect part from STEP 20 & Left Front Frame (L) with Bolt (2)



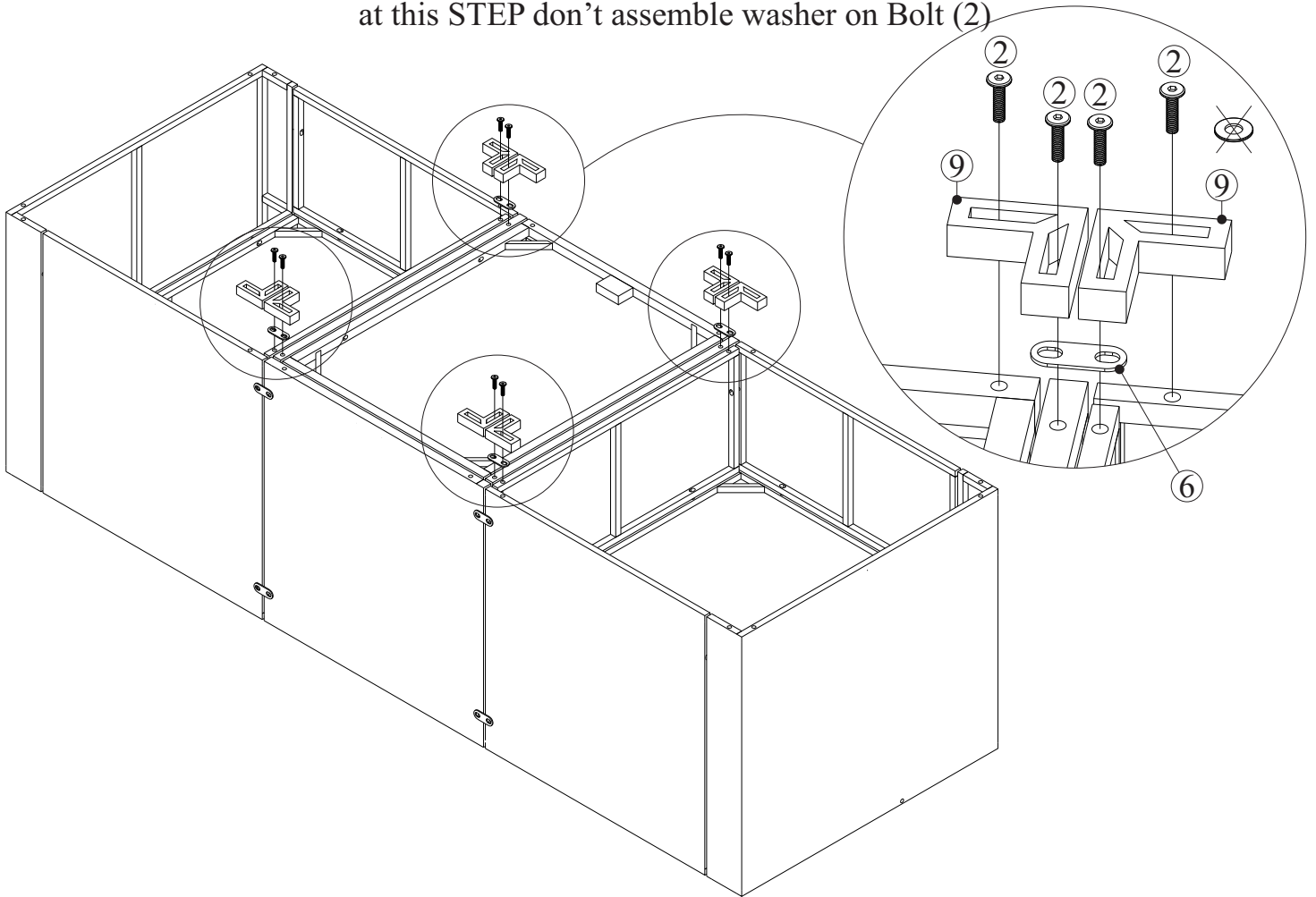
STEP 22

Connect part from STEPS 13, 17, 21 with Connecting part (6) & Bolt (4)



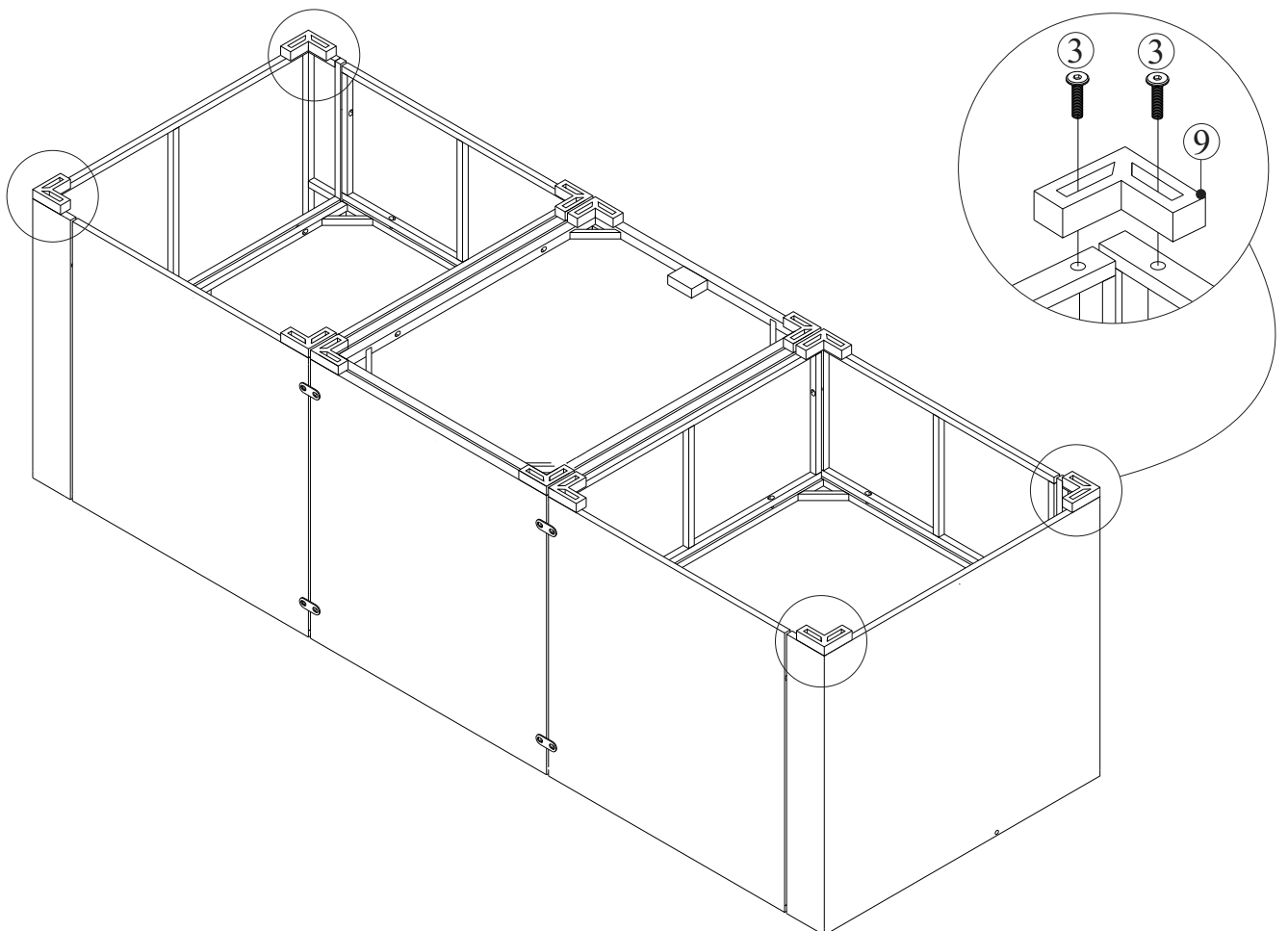
STEP 23

Connect part from STEPS 22 & Leg soles (9) with Connecting part (6) & Bolt (2)
at this STEP don't assemble washer on Bolt (2)



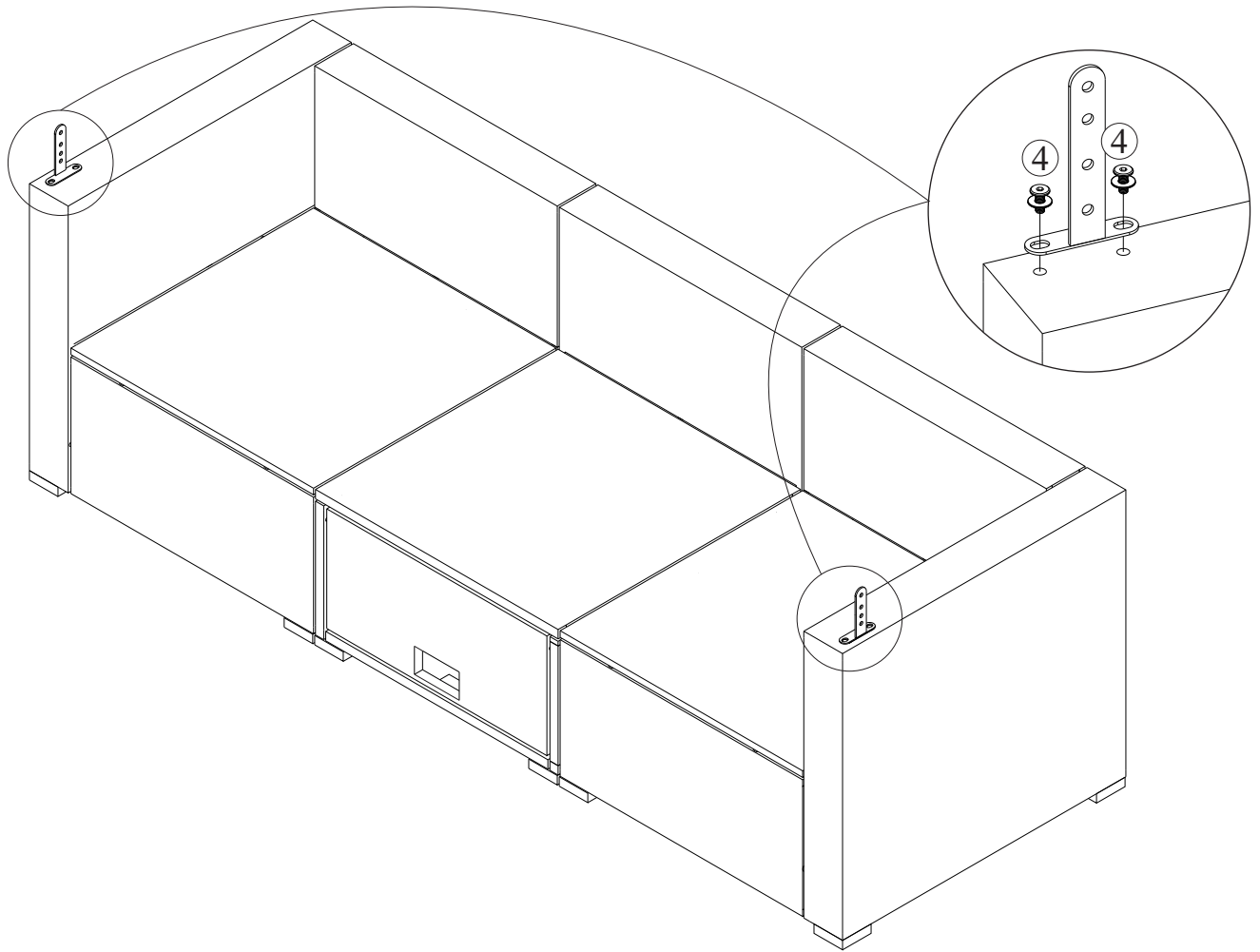
STEP 24

Connect part from STEP 23 & Leg soles (9) with Bolt (3)



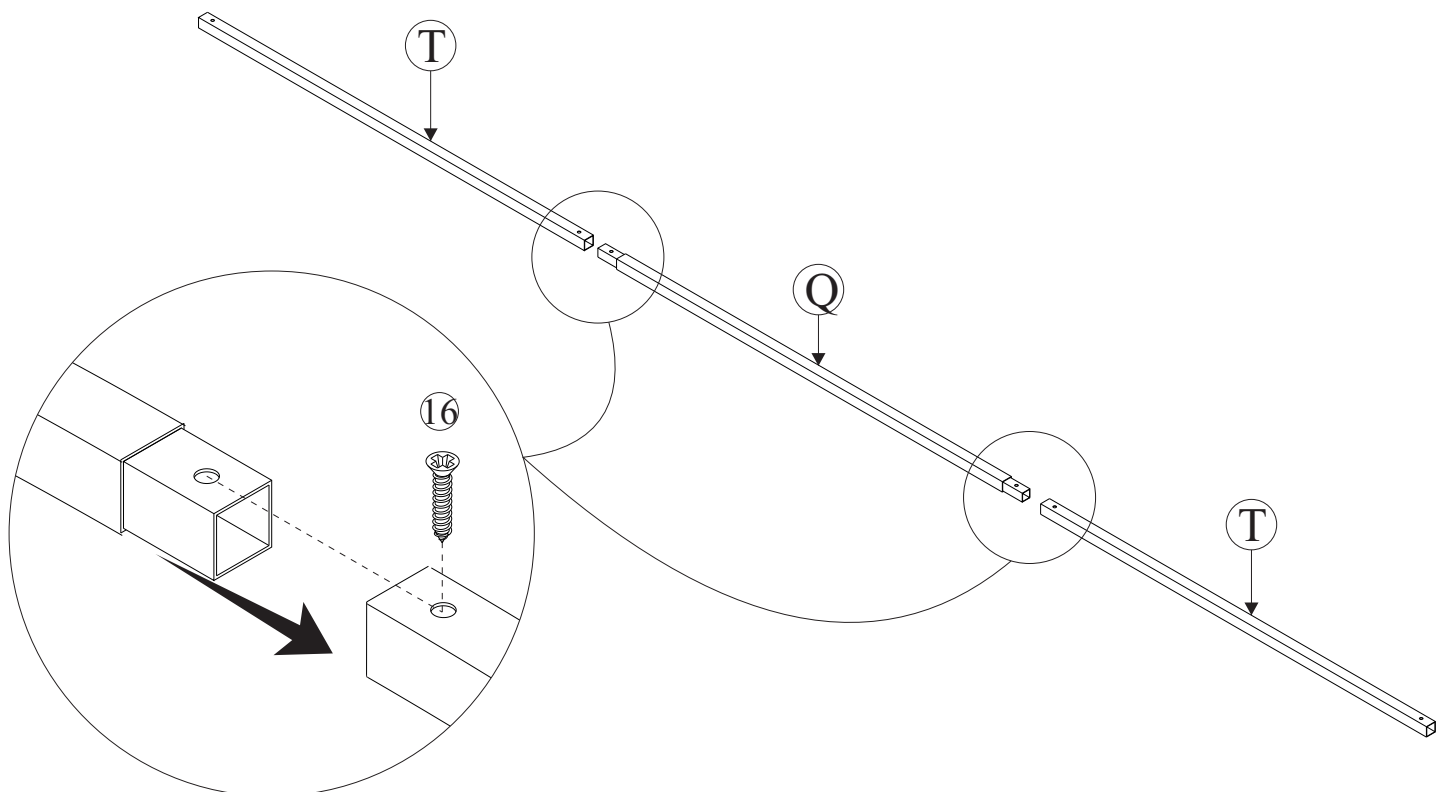
STEP 25

Connect part from STEP 24 & Connecting part (14) with Bolt (4)



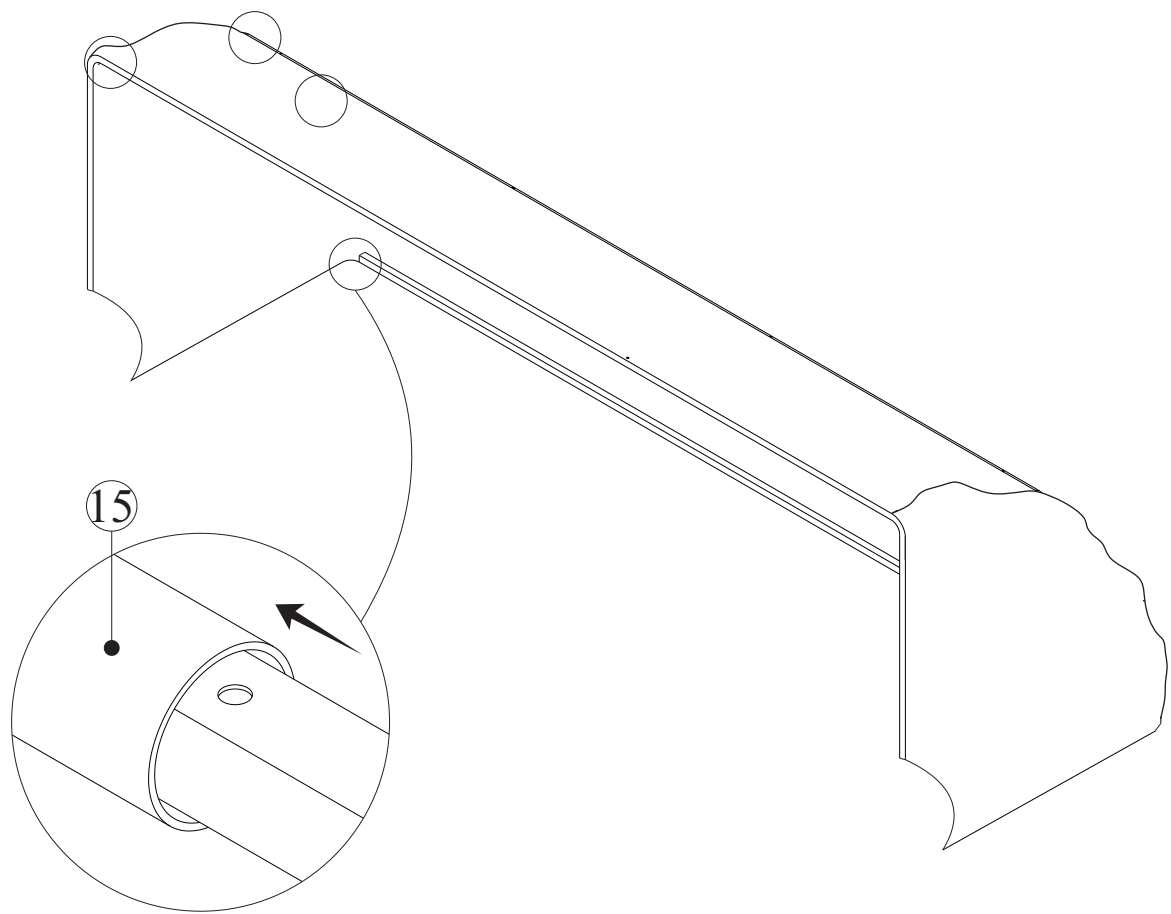
STEP 26

Connect 8 pcs Connecting Frame (T) & 4 pc Connecting Frame (Q) with Screw (16)



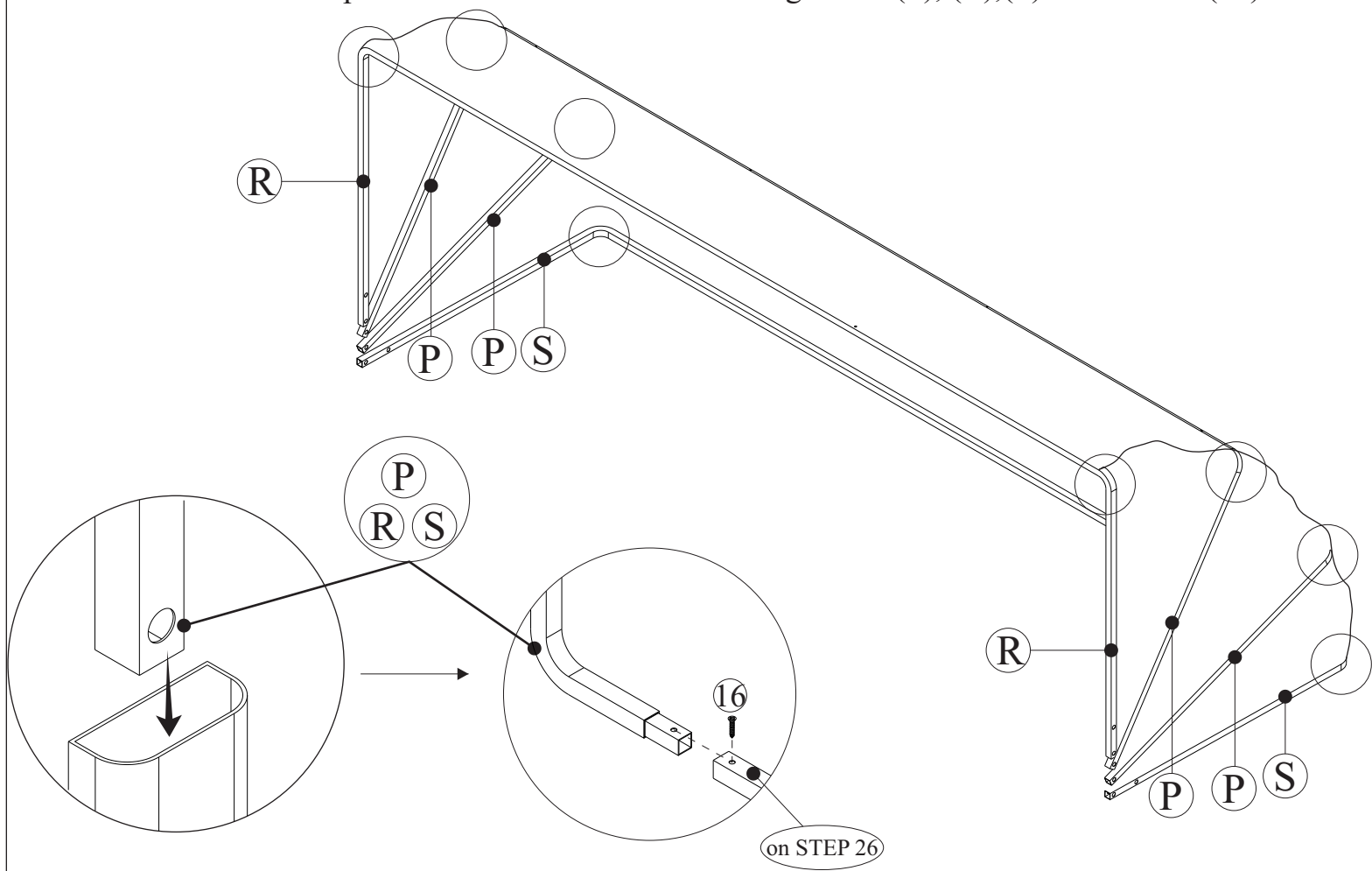
STEP 27

Connect part from STEP 26 & Fabric (15) by inserting frames into holes on fabric



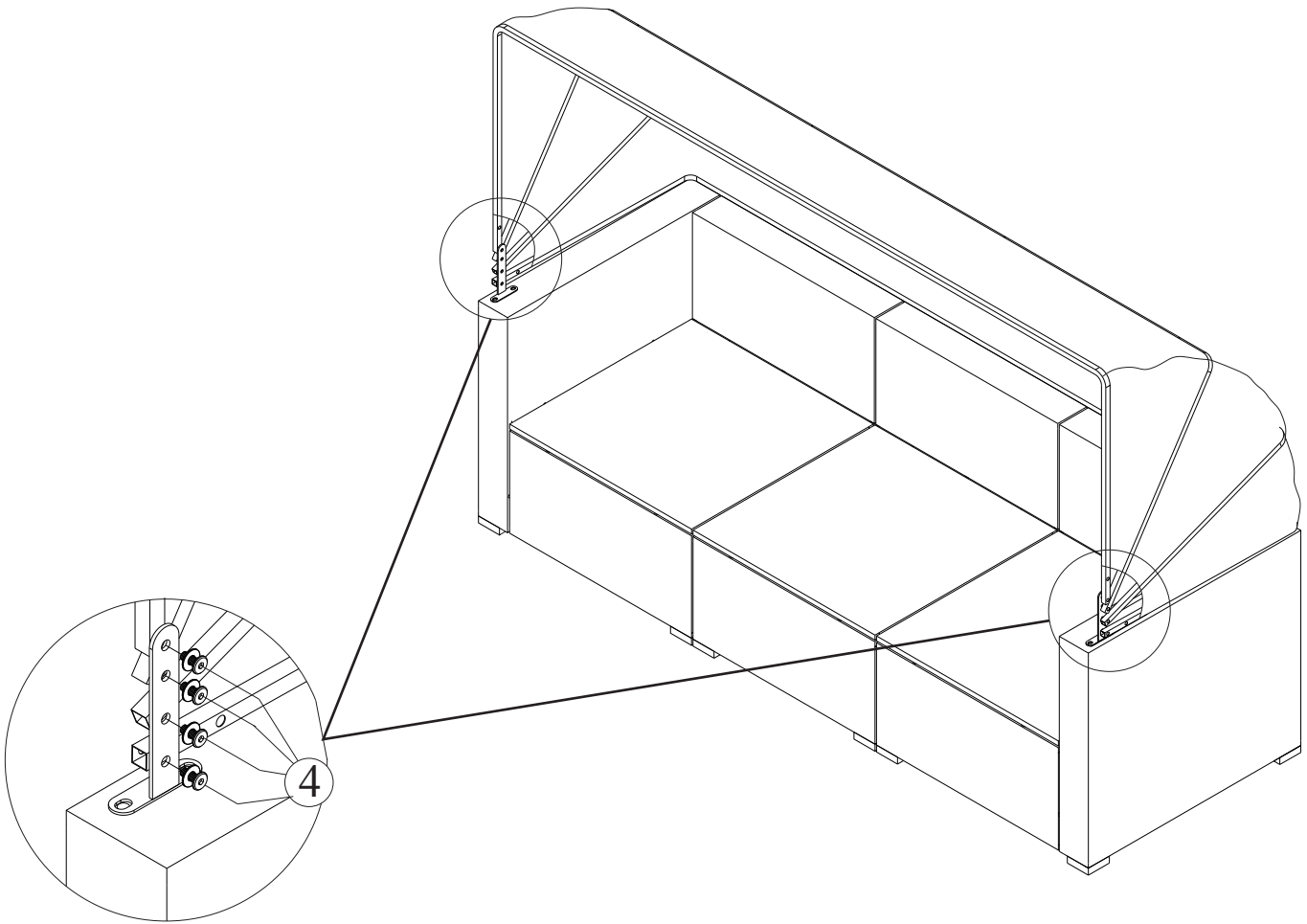
STEP 28

Connect part from STEPS 27 & Connecting frame (P), (R),(S) with Screw (16)



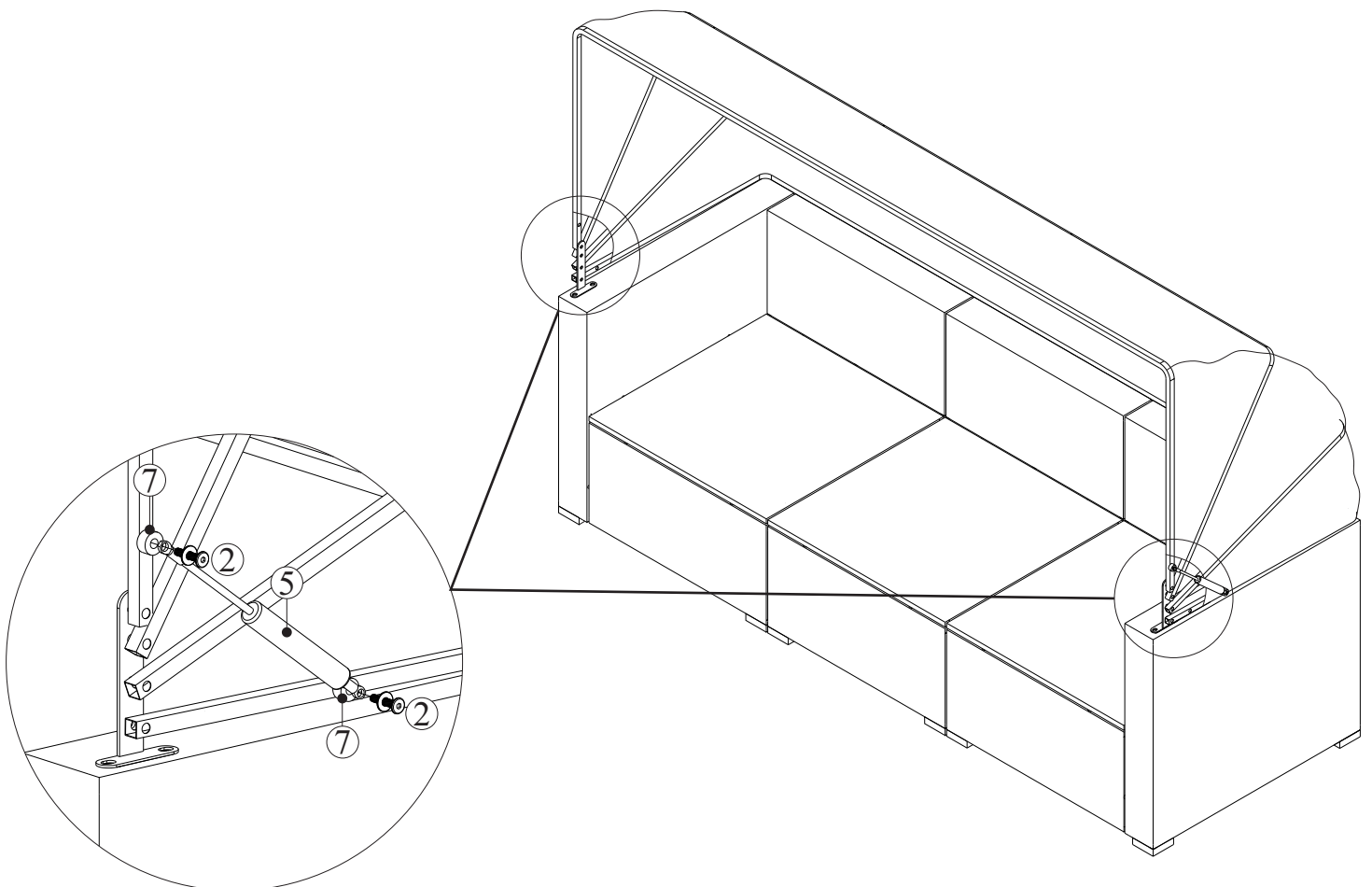
STEP 29

Connect part from STEPS 25, 28 with Bolt (4)



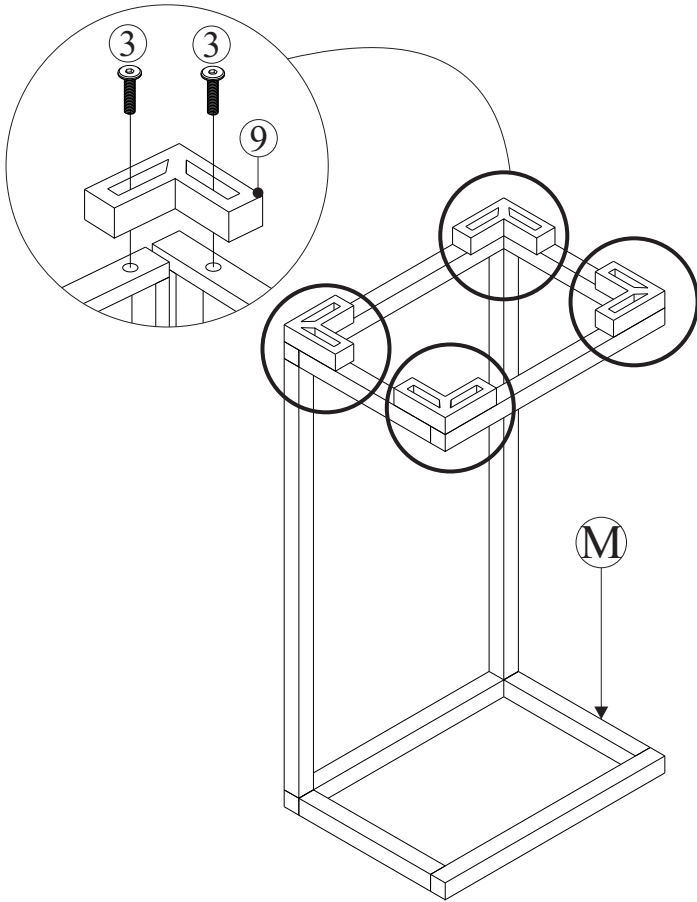
STEP 30

Connect part from STEP 29 & Gaslift (5), Plastic washer (7) & Bolt (2)



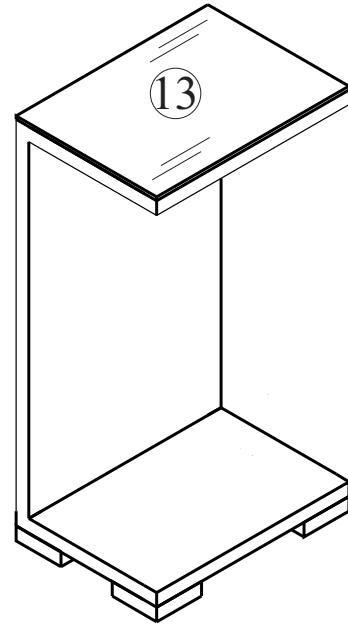
STEP 31

Connect Table (M) & Leg soles (9) with Bolt (3)



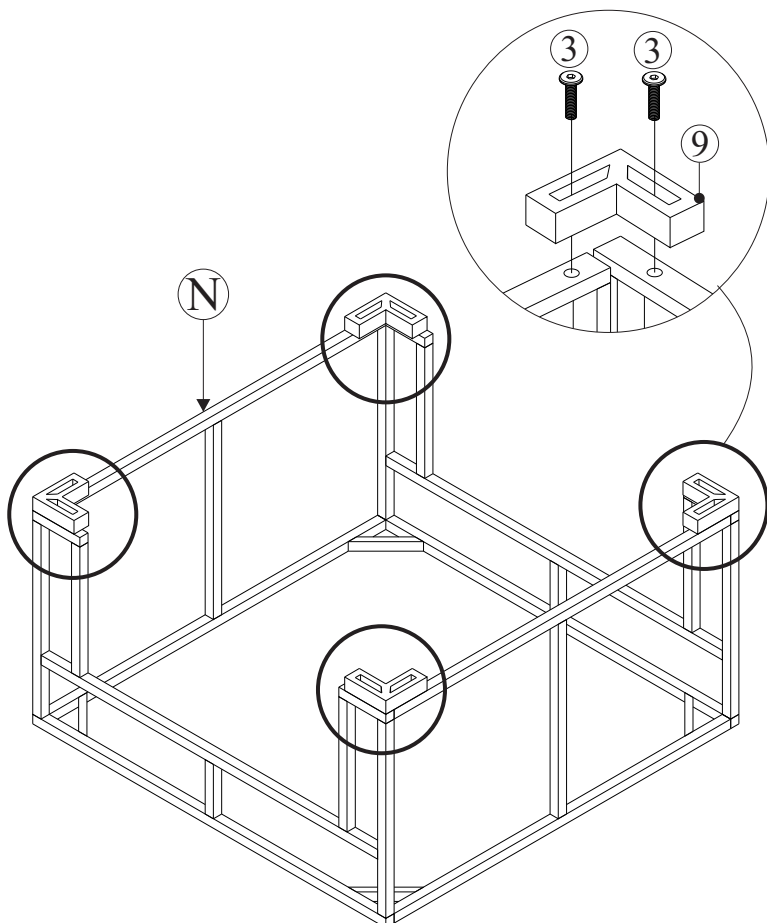
STEP 32

Put on Table Glass (13) to complete table



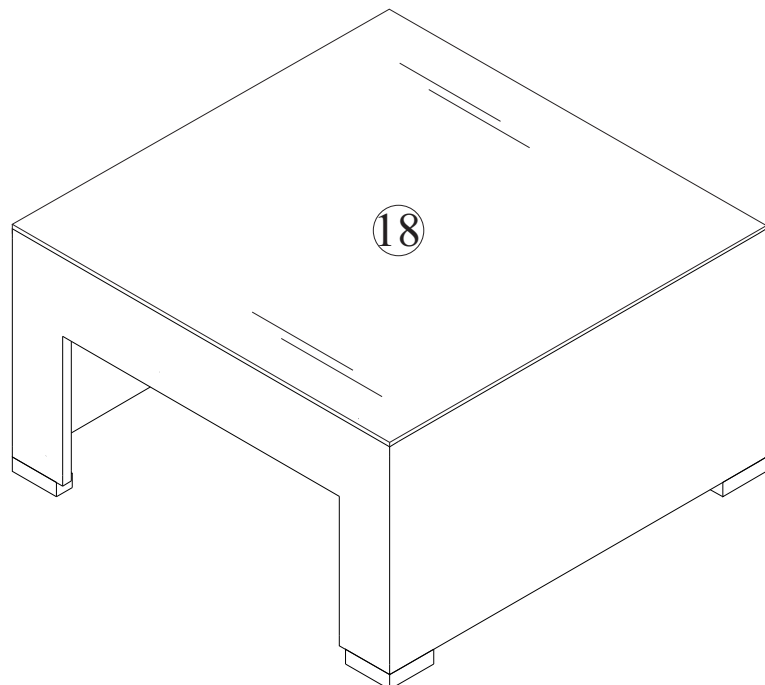
STEP 33

Connect Ottoman (N) & Leg soles (9) with Bolt (3)



STEP 34

Put on Table Glass (18) to complete ottoman



STEP 35

Put on Seat cushion (10), Back pillow (11) & Small back pillow (12) to complete sofa

