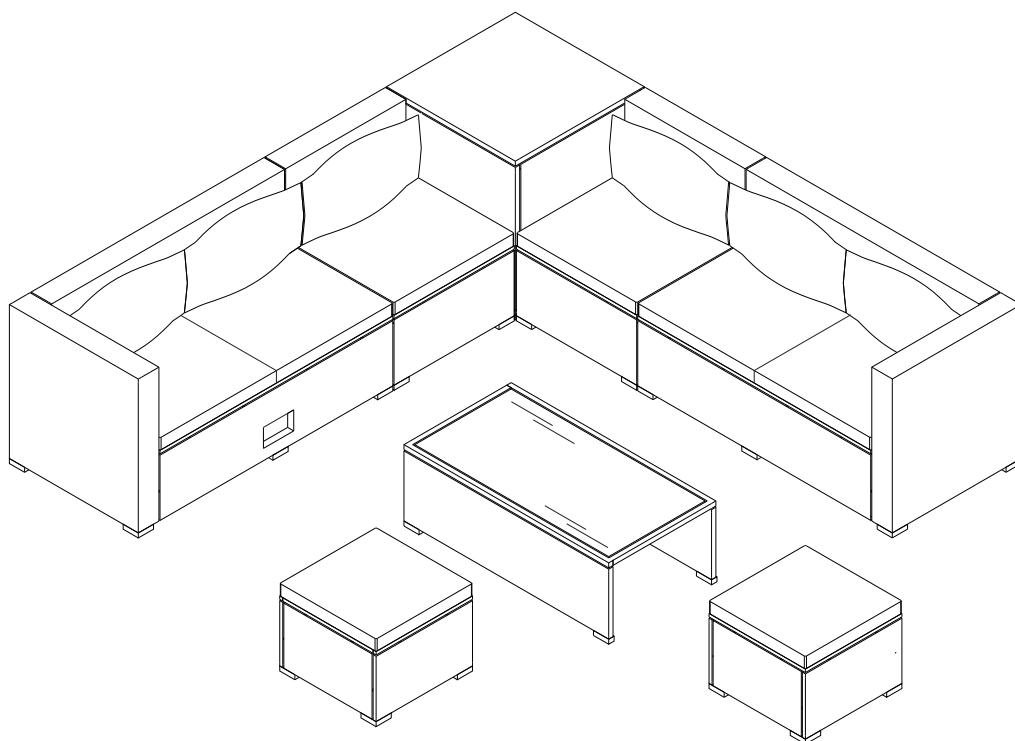


# ASSEMBLY MANUAL BRUKSANVISNING

**Lyfco**®



**NOTE: 50% TIGHTEN BEFORE FIXING ALL BOLTS**

**VIKTIGT – LÄS MONTERINGSANVISNINGARNA NOGA INNAN DU BÖRJAR**

Please don't remove the batch code sticker at back side of this product!  
Any feedback please take picture of this batch code for traceability purpose

Ta inte bort etiketten med batchnummer som finns på möbelen. Om du behöver hjälp med service eller reklamation av din möbel – ange möblensbatchnummer till återförsäljaren, så att du kan få rätt reservdelar till just din möbel.

**XX-YYWW**

**SKU: 166-1-68**

**MODEL NAME: Djursvik**

**MODELLNAMN: Djursvik**

**Konsumentkontakt**

**Arc E-commerce AB**

**Box 3124**

**13603 Haninge**

Attention! Please note that at first all screws should be inserted slightly by hand! Turn 2-3 times so that the screw grips on its own and connects all elements loosely. The screws must only be driven in tightly when all elements are connected with each other in this way. Otherwise the setup won't be possible. Only by driving them in tightly afterwards, small deviations of the borehole or the welded joints, which always occur with handcrafted products, can be compensated.

Var uppmärksam! Sätt först i samtliga skruvar löst. Dra inte åt, för då finns risk att skruvhålen inte passar.

Notes on an optimized assembly:

Before you completely tighten the screws, check carefully all the screws and tighten them (only) to the extent that the product remains (especially chairs or loungers) still under load. If you are sure that your product can withstand load, place it on a solid, level ground and put some weight on it, please carefully and always with cushions. The various components can then align with each other. Then tighten completely the screws. Thus you achieve an optimal alignment of the product and prevent wobbling. Don't sit, find some weight.

Innan du drar åt skruvarna helt, gör såhär för bästa resultat:

Ställ möbeln på en helt slät yta och lägg ett tillräckligt tungt föremål (ca 10-15kg) på den, så att alla ben nuddar marken. Skruva därefter i skruvarna helt. Obs – använd inte din kroppstyngd, då det är för mycket vikt. Om du följer dessa råd, blir din möbel stabil.

Om du inte följer dessa instruktioner kommer möbeln att bli ostadig och "vickig" då produkten upplevs ojämn.

Your new product was made by hand. Slightly irregularities are rather seen as a quality attribute than as a reason for complaints.

Din nya möbel är handgjord. Små avvikelser kan därför förekomma och är ett kvalitetsattribut snarare än ett fel.

Tip: Always fully insert the hex key inside designated notch of screw.

Tips: Var noga att alltid sätta in insexnyckeln helt ner i skruven.



If you don't do that and slip out of the screw, the screw will suffer damage and it can cause the screw head to become round inside you won't be able to find grip with the hex key anymore!

Om du inte gör det finns risk att insexnyckeln slinter, vilket skadar skruven. Skruven kan då bli obrukbar.

### ✘ DONT'S

Don't use this product if parts are missing, damaged or worn down.

Don't use any electronic tools to set up these products. The high energy of these electronic tools will cause screw overtightening and therefore they won't grip.

Don't overtighten screws or bolts. Only tighten the screws entirely after the product is completely set up. You shouldn't sit or stand on it.

Don't let your product stand in the rain. Protect it from weather impacts. In times of freeze and over the winter, we suggest you to store the product in a covered dry place.

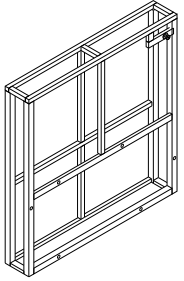
### ✘ VIKTIGT

Använd inte den här produkten om delar saknas, är skadade eller utslitna.

Använd inte elektriska skruvdragare för att montera produkten. Den höga kraften i elektriska verktyg kommer dra åt skruvarna för hårt vilket kan skada gängorna.

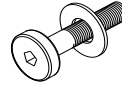
Spänn inte skruvar eller muttrar för hårt. Dra åt alla skruvar efter att hela möbeln monterats. Stå eller sitt inte på bordet.

För att förlänga livslängden på möbeln, undvik att låta den stå i regn. Under vintertid rekommenderar vi att möbeln förvaras inomhus, i torr miljö.

**Component****Hardware****A**

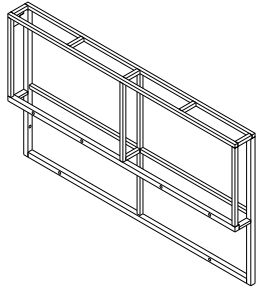
Right Frame

1 pc

**1**

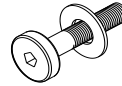
Bolt M6x35 mm

29 pcs

**B**

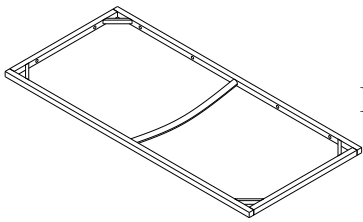
Right Back Frame

1 pc

**2**

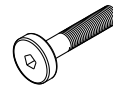
Bolt M6x30 mm

78 pcs

**C**

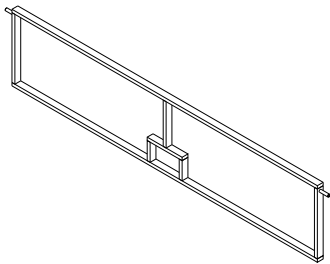
Right Seat Frame

1 pc

**3**

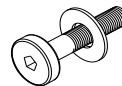
Bolt M6x25 mm

64 pcs

**D**

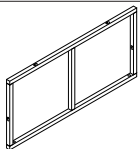
Lid Open Frame

1 pc

**4**

Bolt M6x15 mm

4 pcs

**E**

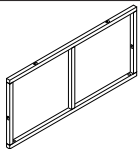
Side Frame

5 pcs

**5**

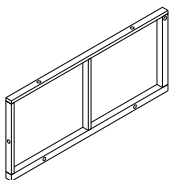
Washer M8x2 mm

4 pcs

**E1**

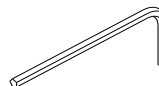
Inner Frame

1 pc

**F**

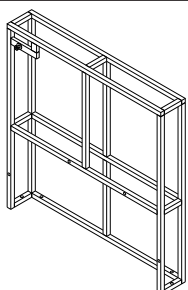
Right Side Frame

1 pc

**6**

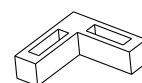
Allen key

1 pc

**G**

Left Frame

1 pc

**7**

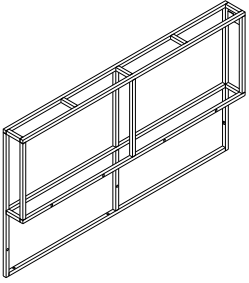
Sofa Leg

30 pcs

**Component**

**Hardware**

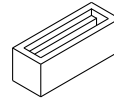
H



Left Back Frame

1 pc

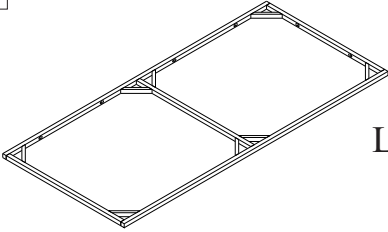
8



Sofa Leg

6 pcs

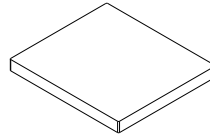
I



Left SeatFrame

1 pc

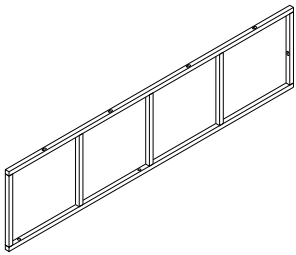
9



Bench Cushion

4 pcs

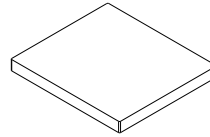
J



Left Front Frame

1 pc

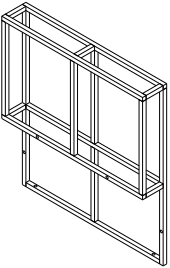
10



Seat Cushion

2 pcs

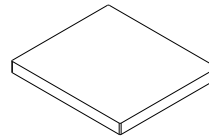
K



Single Back Frame

2 pcs

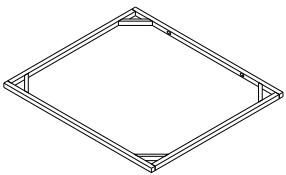
11



Stool Cushion

2 pcs

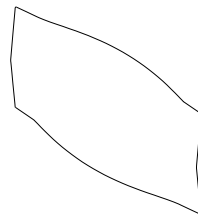
L



Single Seat Frame

2 pcs

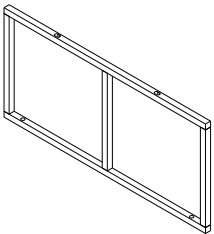
12



Back Pillow

6 pcs

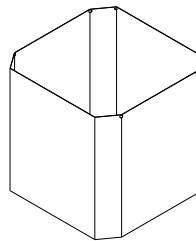
M



Single Front Frame

2 pcs

13



Rain Cover

1 pc

N

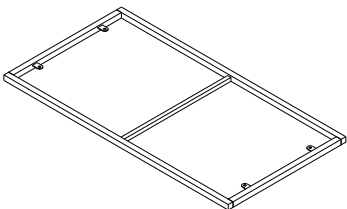


Table Top Frame

1 pc

14

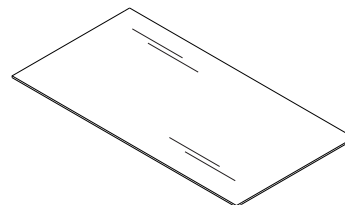


Table Glass

1 pc

**Component**

**Component**

**O**

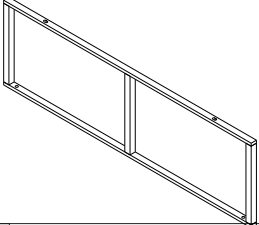
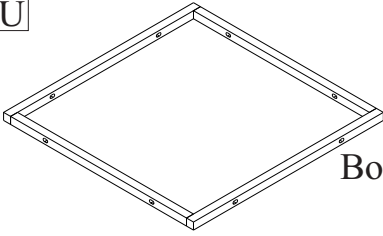


Table Side Frame

2 pcs

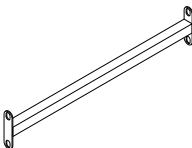
**U**



Box Bottom Frame

1 pc

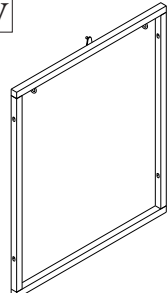
**P**



Connecting Table Frame

1 pc

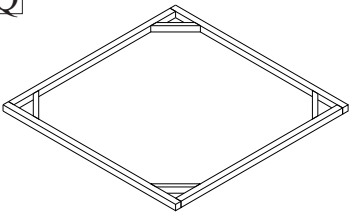
**V**



Box Left Frame

1 pc

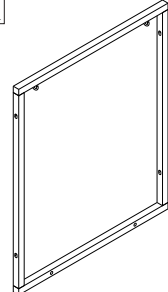
**Q**



Stool Seat Frame

2 pcs

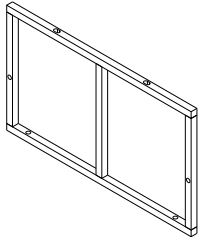
**X**



Box Right Frame

1 pc

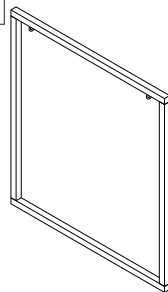
**R**



Big Side Frame

4 pcs

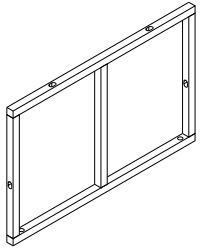
**Y**



Box Front Frame

1 pc

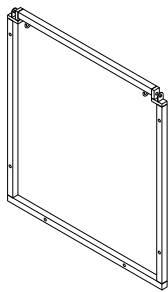
**S**



Small Side Frame

4 pcs

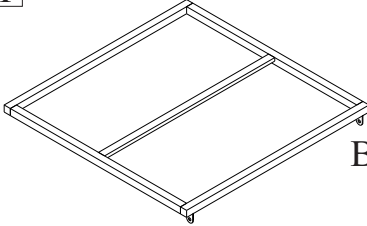
**Z**



Box Behind Frame

1 pc

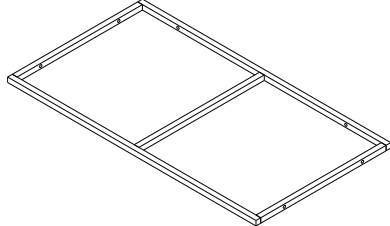
**T**



Box Cover Frame

1 pc

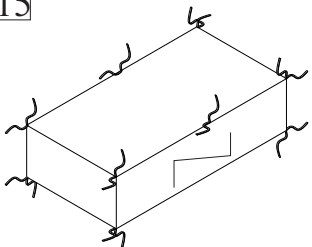
**W**



Bottom Frame

1 pc

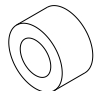
**15**



Rain Cover

1 pc


**16**



Washer M8 x 10 mm

1 pc

**17**

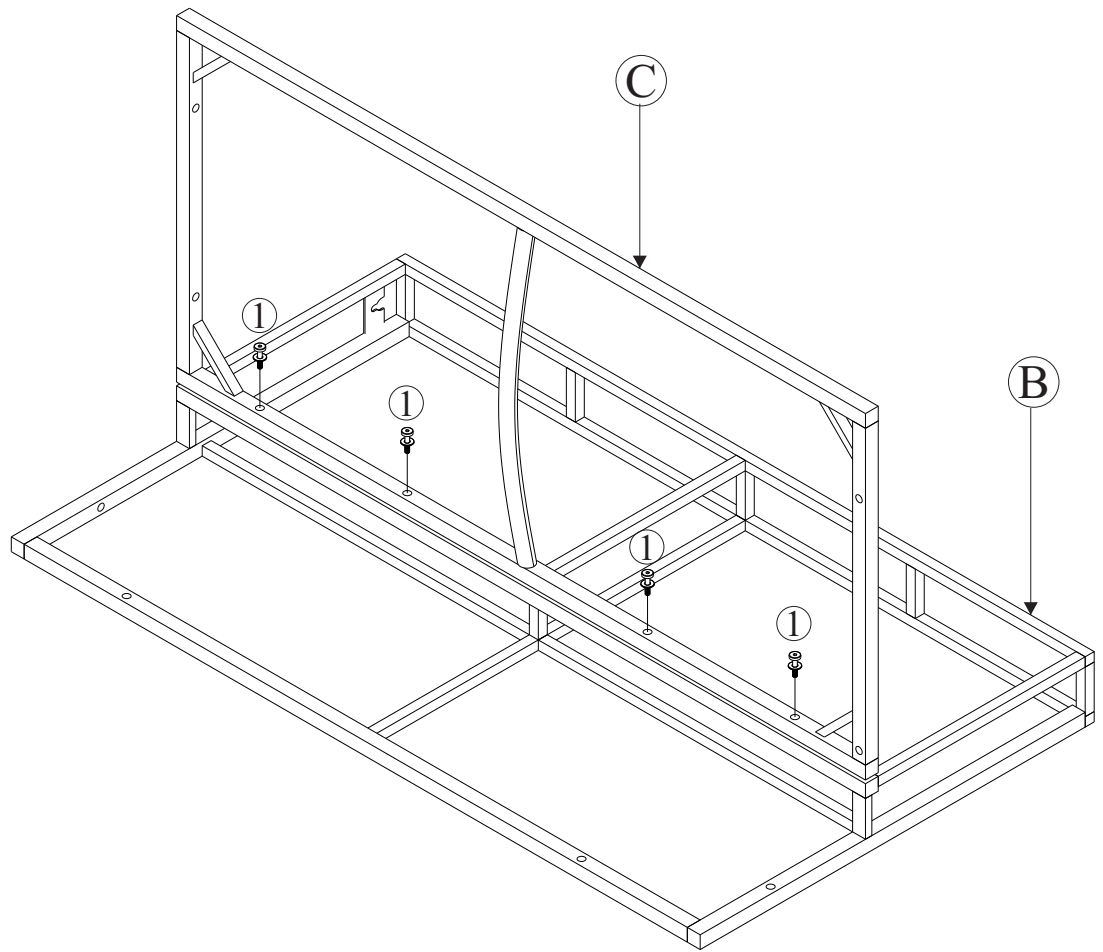


Nut

8 pcs

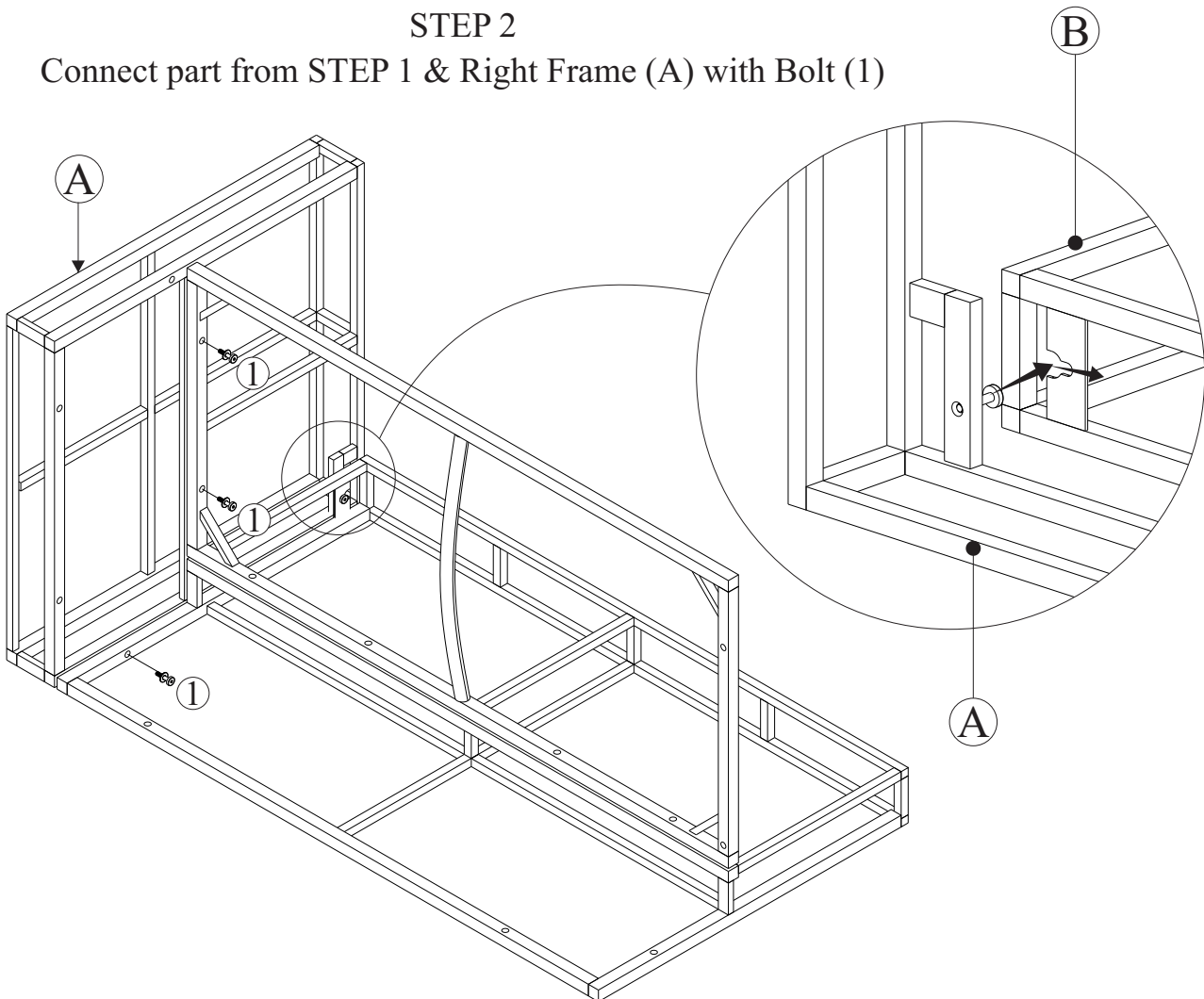
### STEP 1

Connect Right Back Frame (B) & Right Seat Frame (C) with Bolt (1)



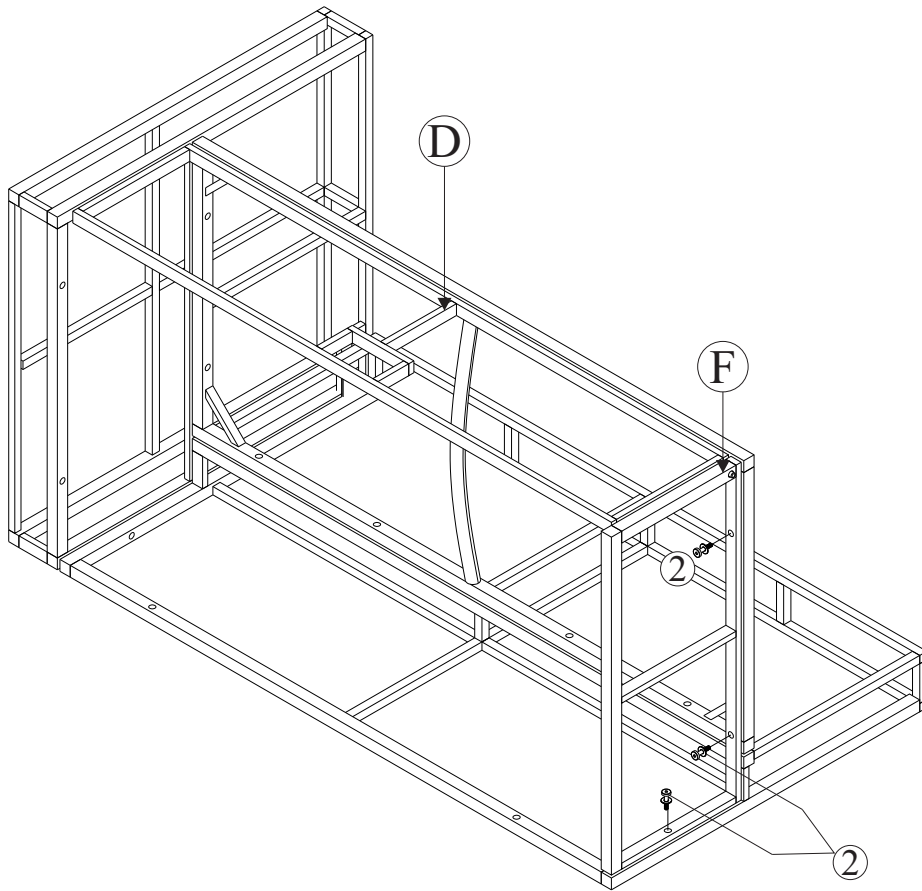
### STEP 2

Connect part from STEP 1 & Right Frame (A) with Bolt (1)



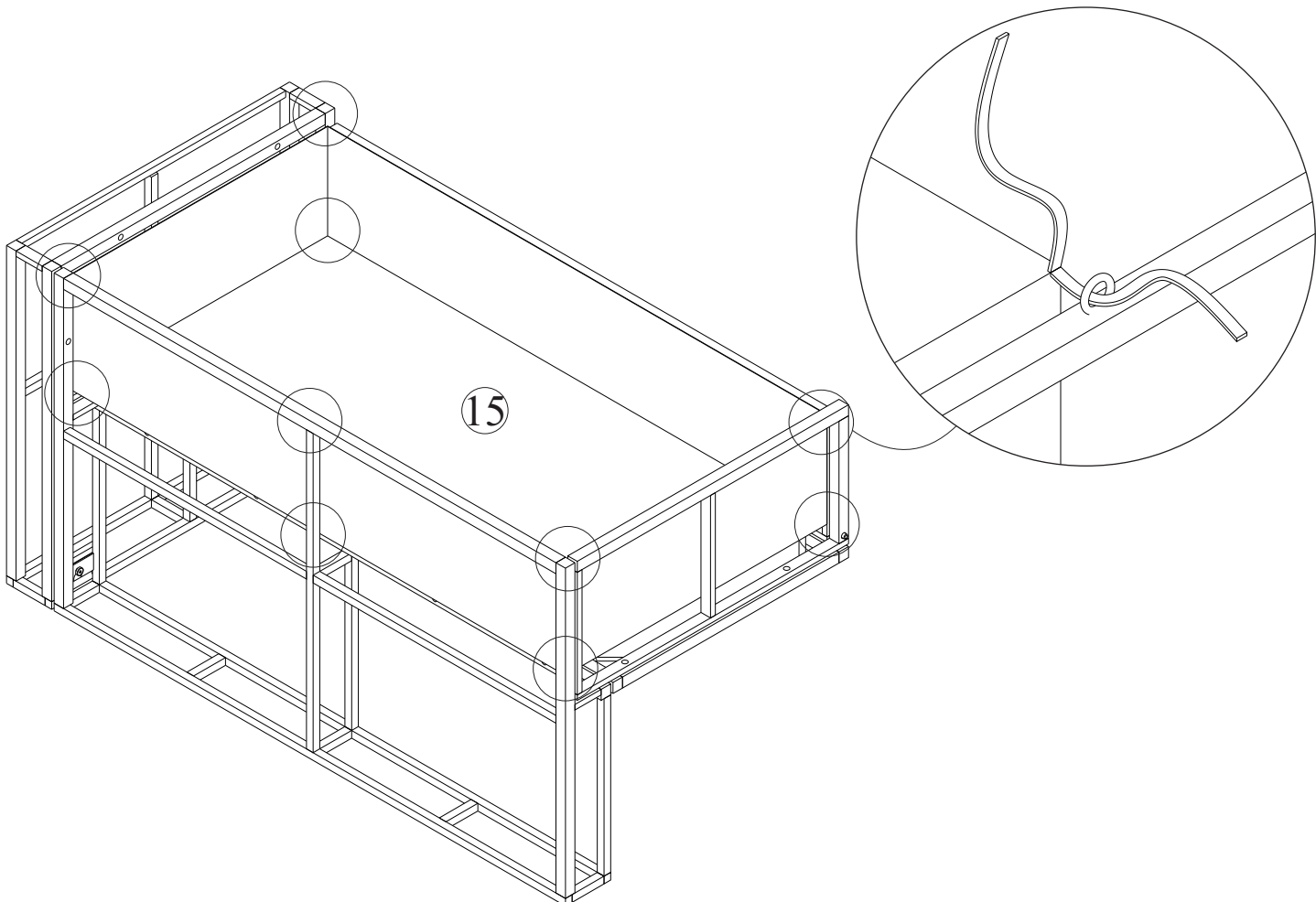
### STEP 3

Connect part from STEP 2, Lid Open Frame (D) & Right Side Frame (F) with Bolt (2)



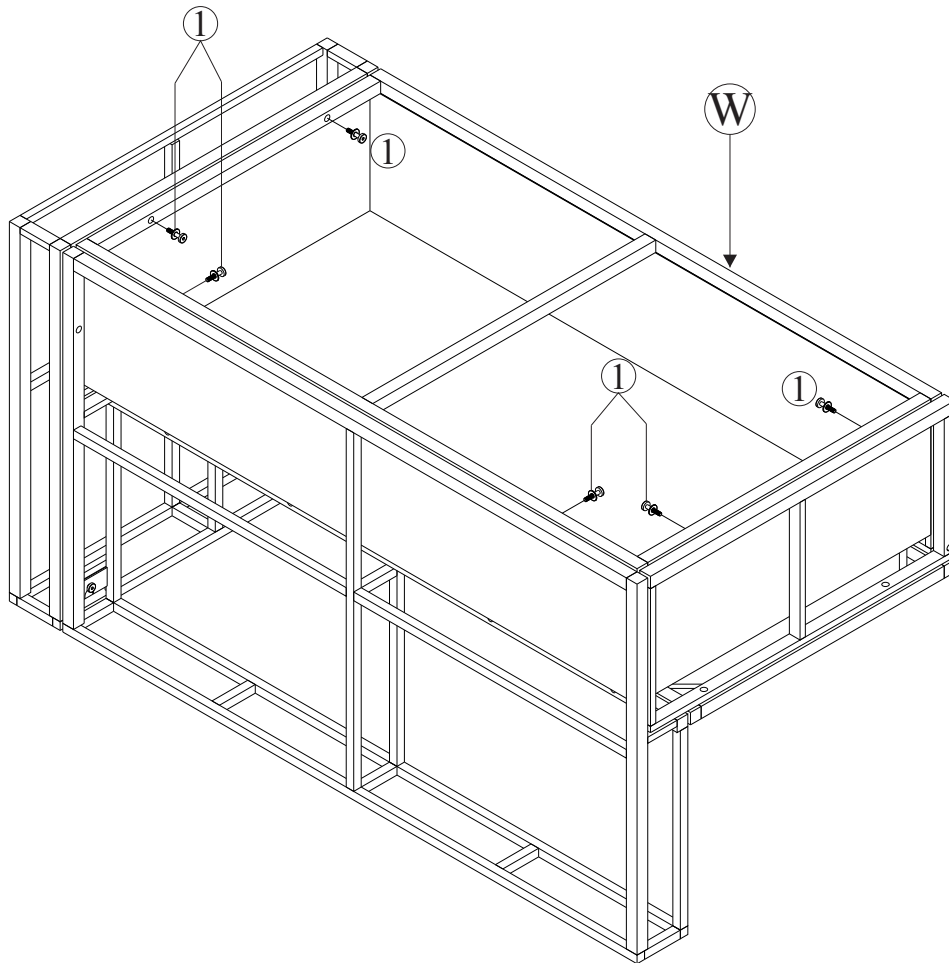
### STEP 4

Connect part from STEP 3 & Rain Cover (15), tie the rope of rain cover with round hole



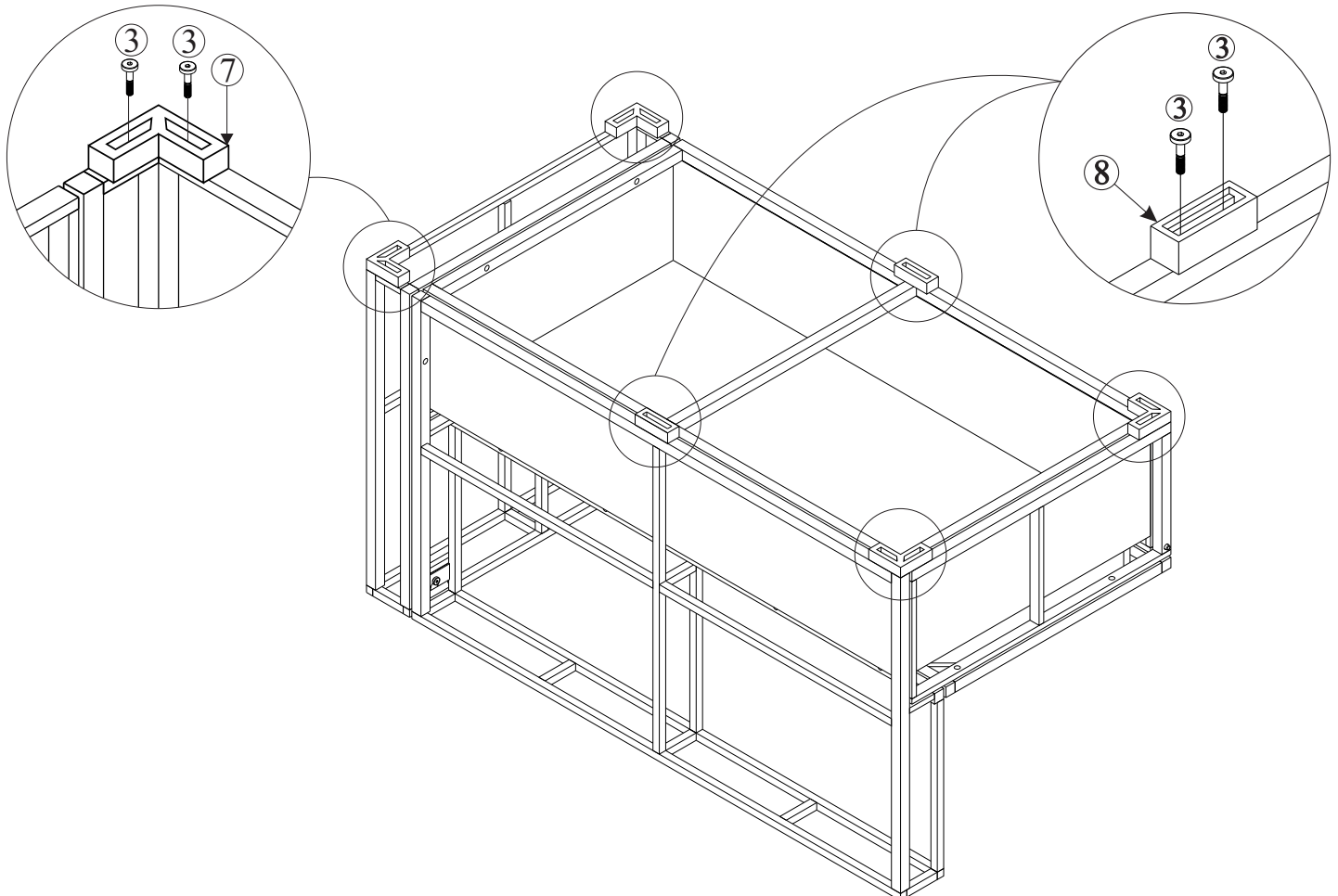
### STEP 5

Connect part from STEP 4 & Bottom Frame (W) with Bolt (1)



### STEP 6

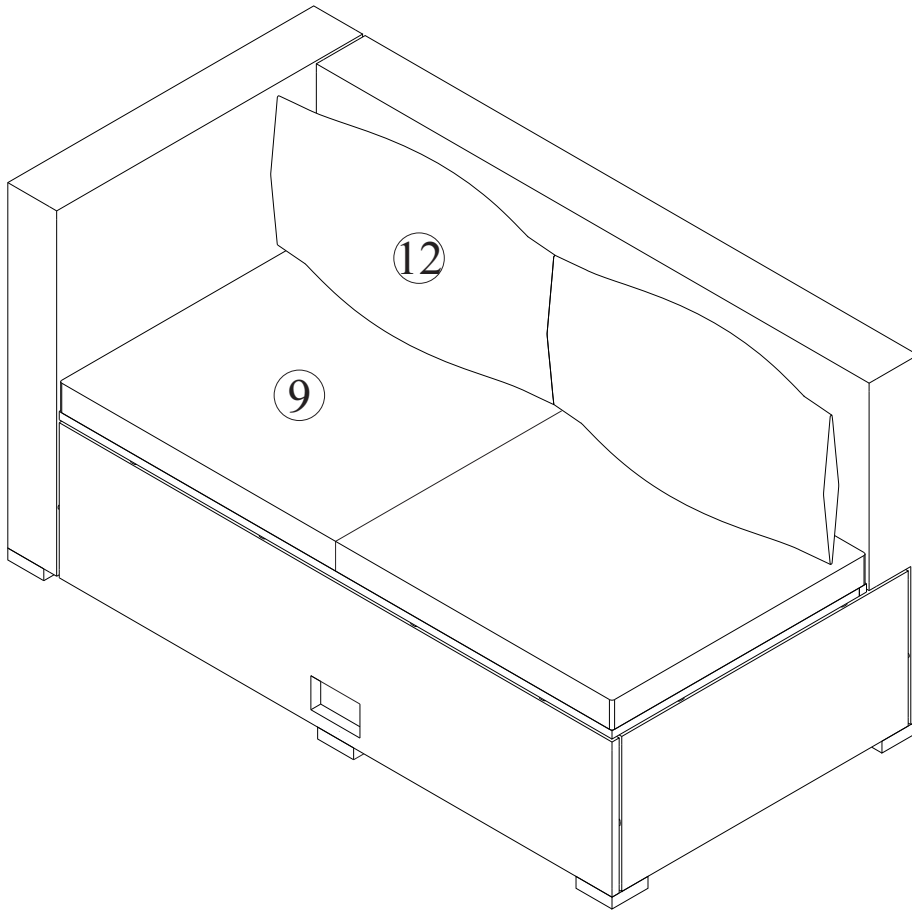
Connect part from STEP 5 & Sofa Leg (7), (8) with Bolt (3)





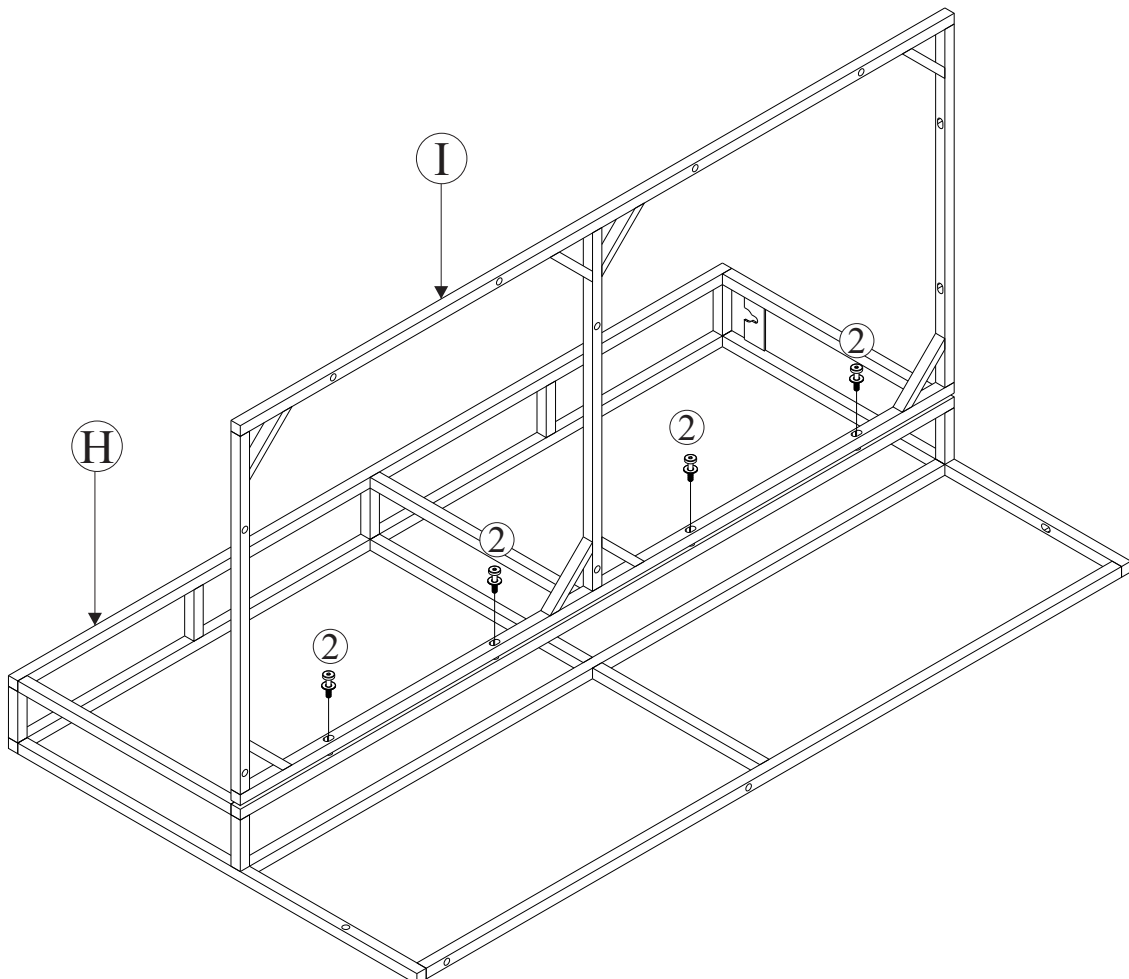
### STEP 7

Put on Bench Cushion (9) & Back Pillow (12) to complete right bench



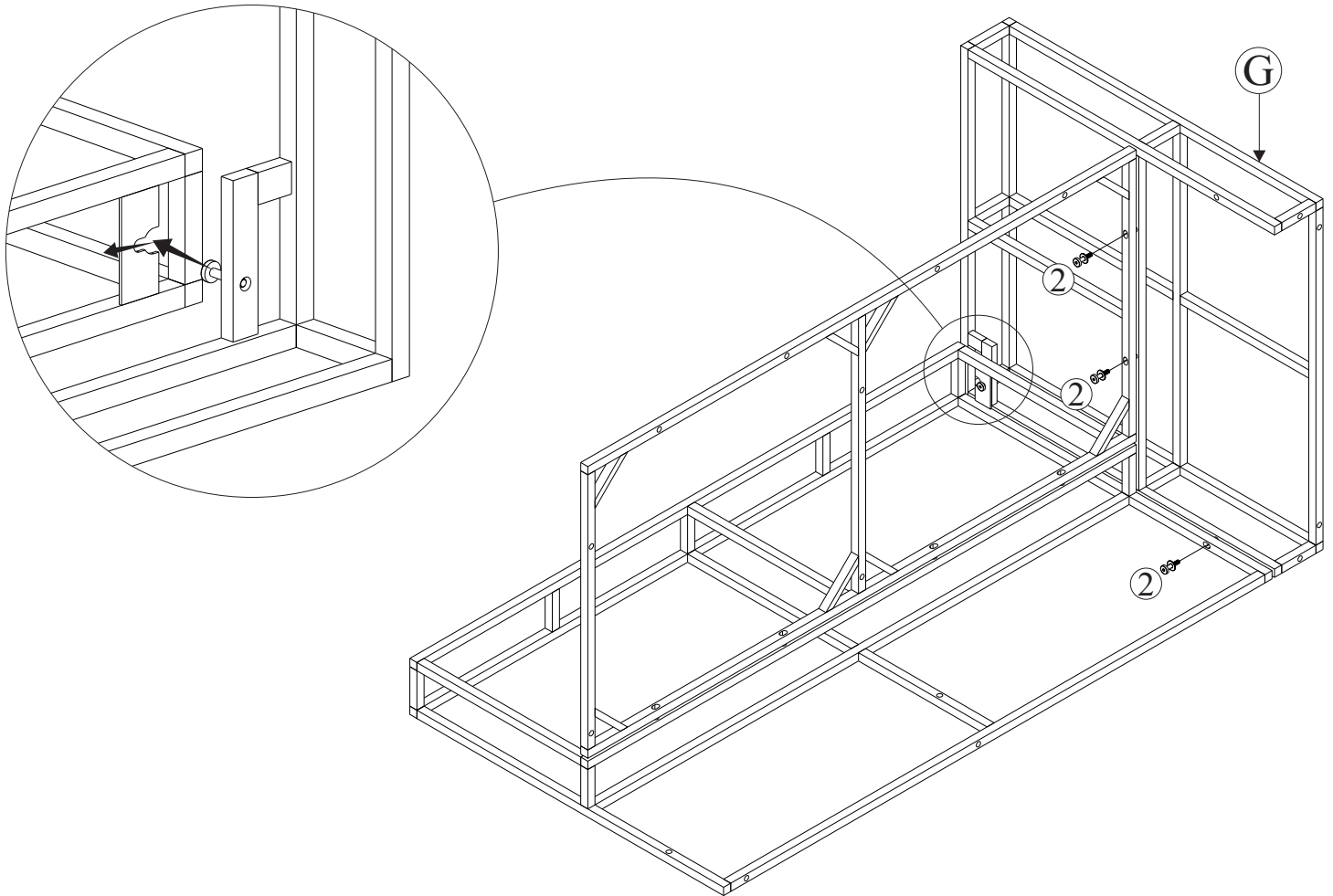
### STEP 8

Connect Left Back Frame (H) & Left Seat Frame (I) with Bolt (2)



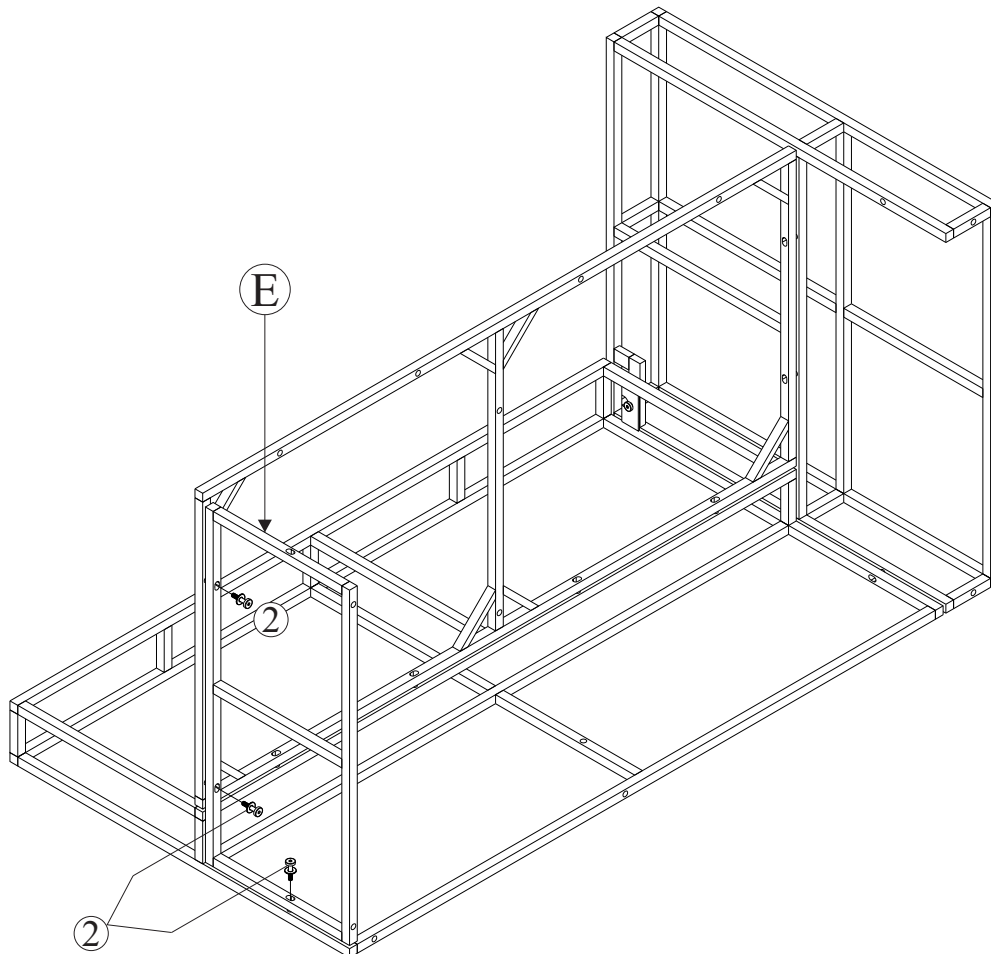
### STEP 9

Connect part from STEP 8 & Left Frame (G) with Bolt (2)



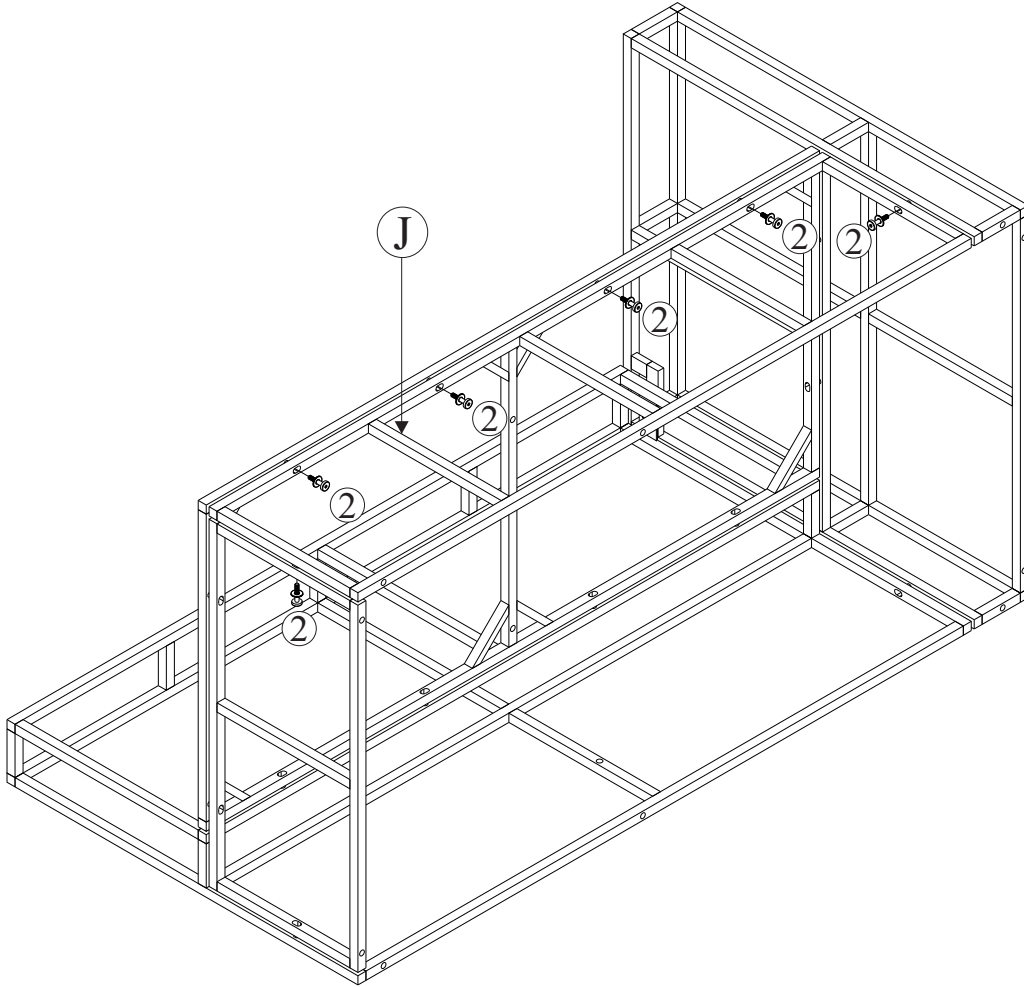
### STEP 10

Connect part from STEP 9 & Side Frame (E) with Bolt (2)



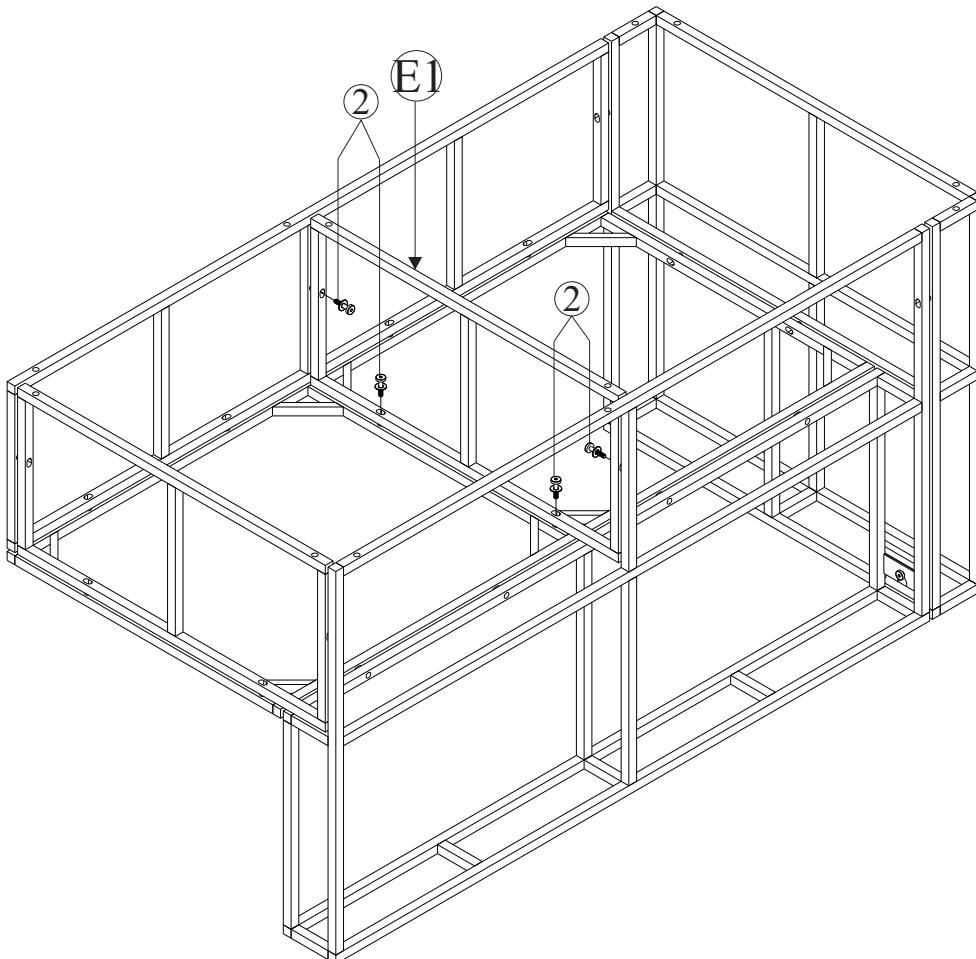
### STEP 11

Connect part from STEP 10 & Left Front Frame (J) with Bolt (2)



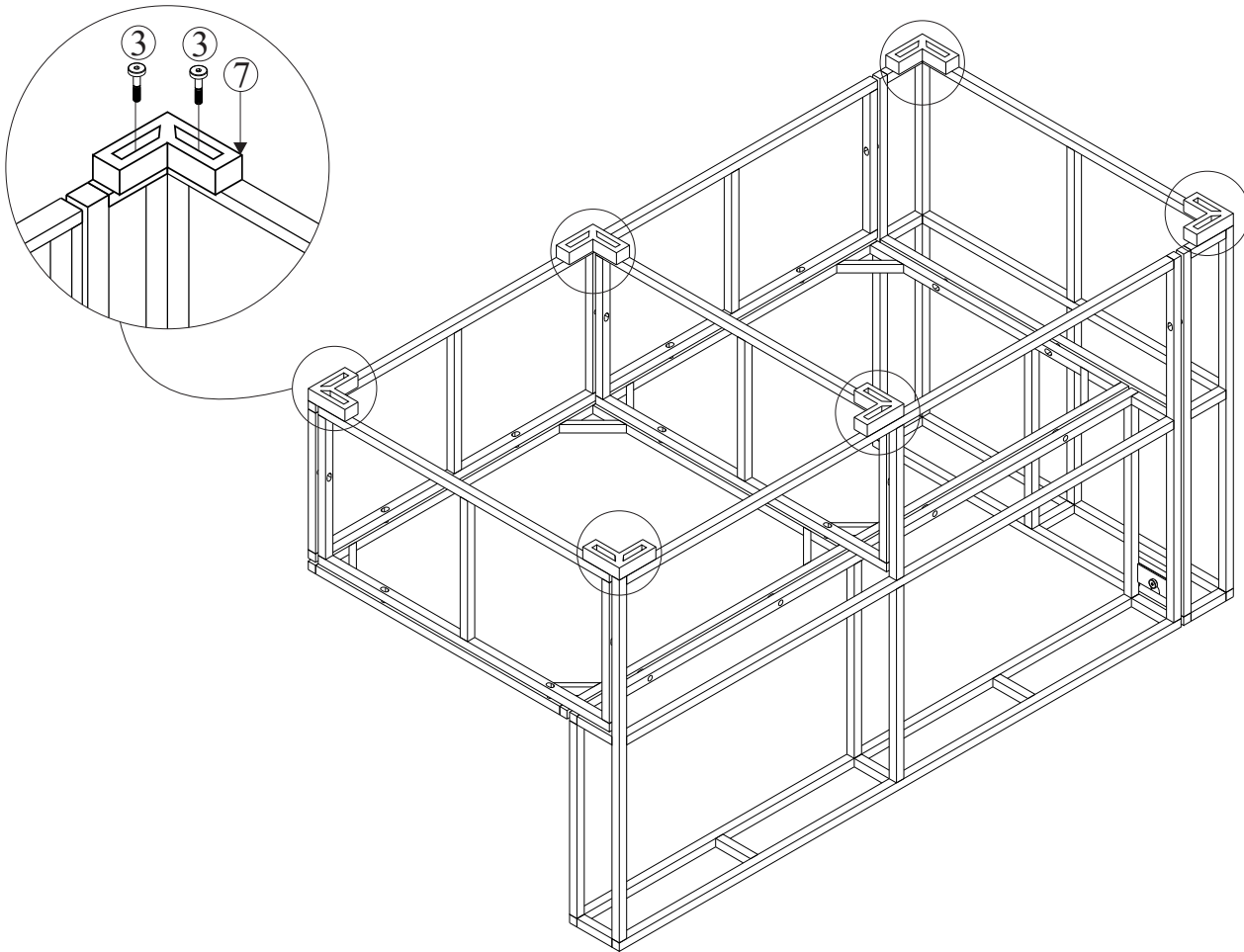
### STEP 12

Connect part from STEP 11 & Inner Frame (E1) with Bolt (2)



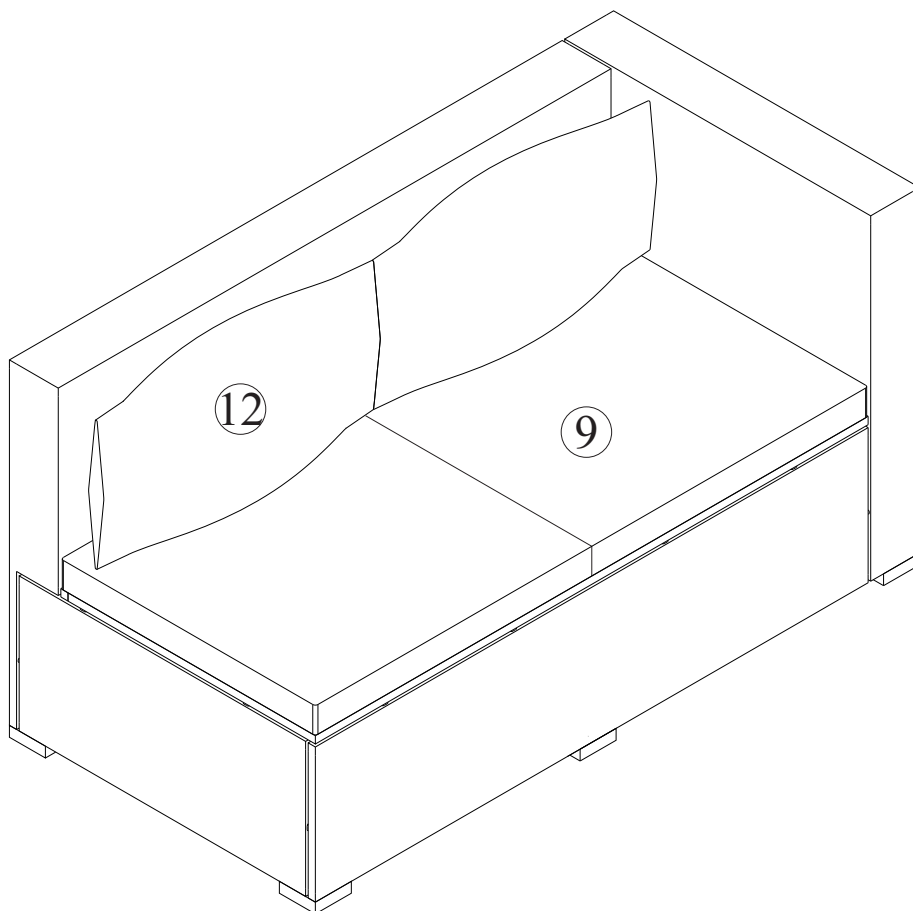
### STEP 13

Connect part from STEP 12 & Sofa Leg (7) with Bolt (3)



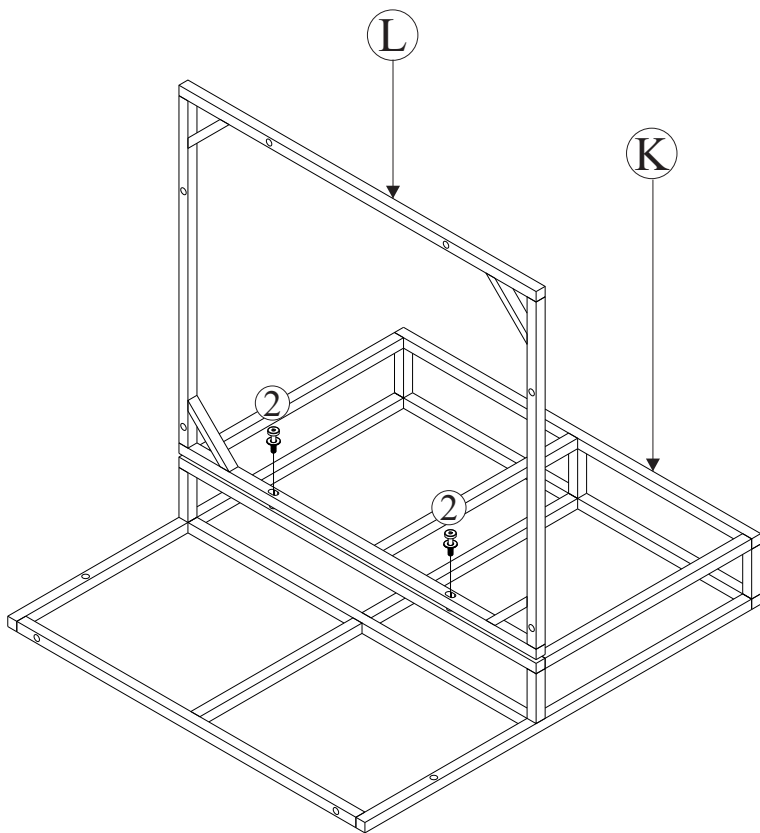
### STEP 14

Put on Bench Cushion (9) & Back Pillow (12) to complete left bench



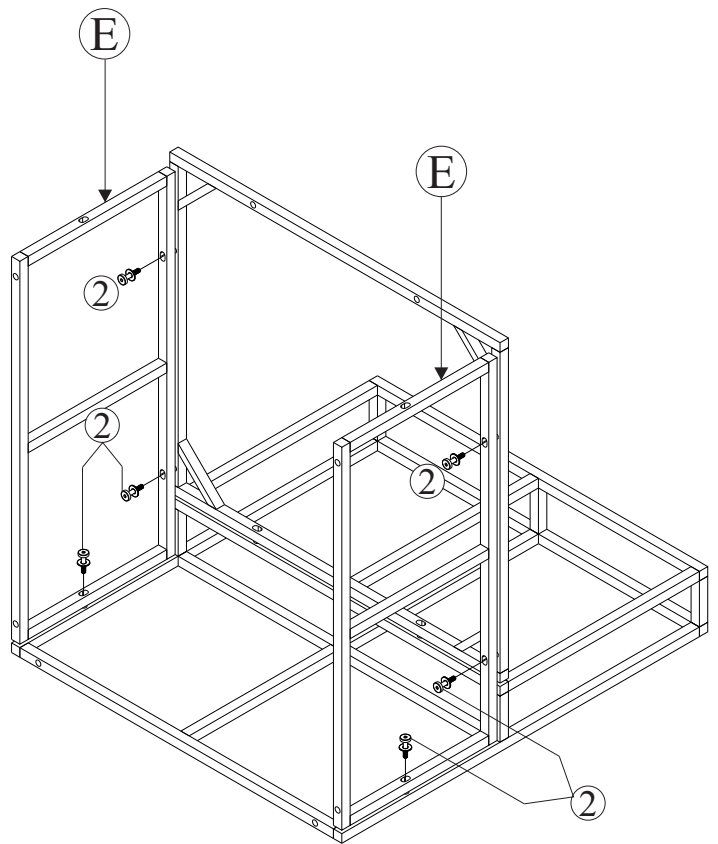
### STEP 15

Connect Single Back Frame (K) & Single Seat Frame (L) with Bolt (2)



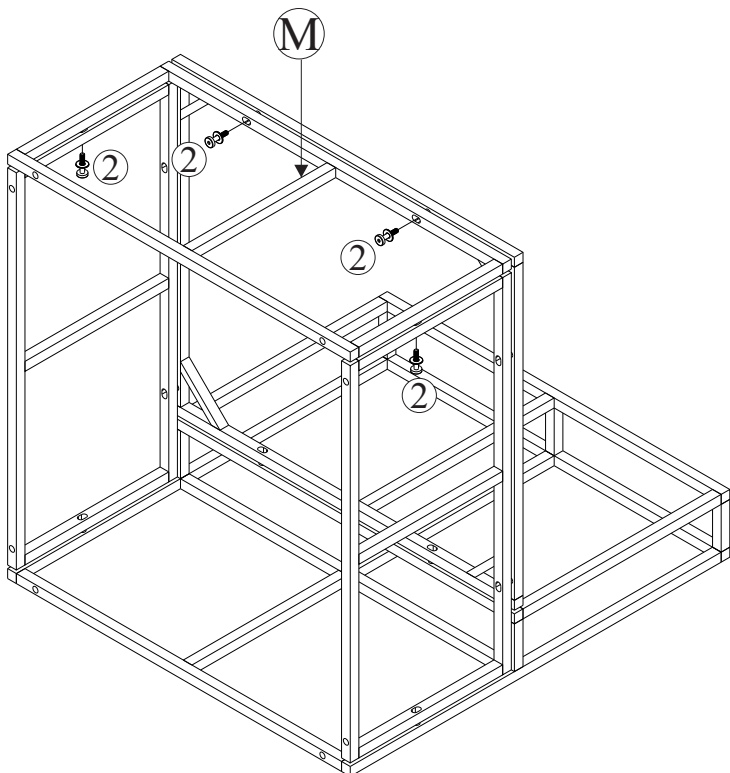
### STEP 16

Connect part from STEP 18 & Side Frame (E) with Bolt (2)



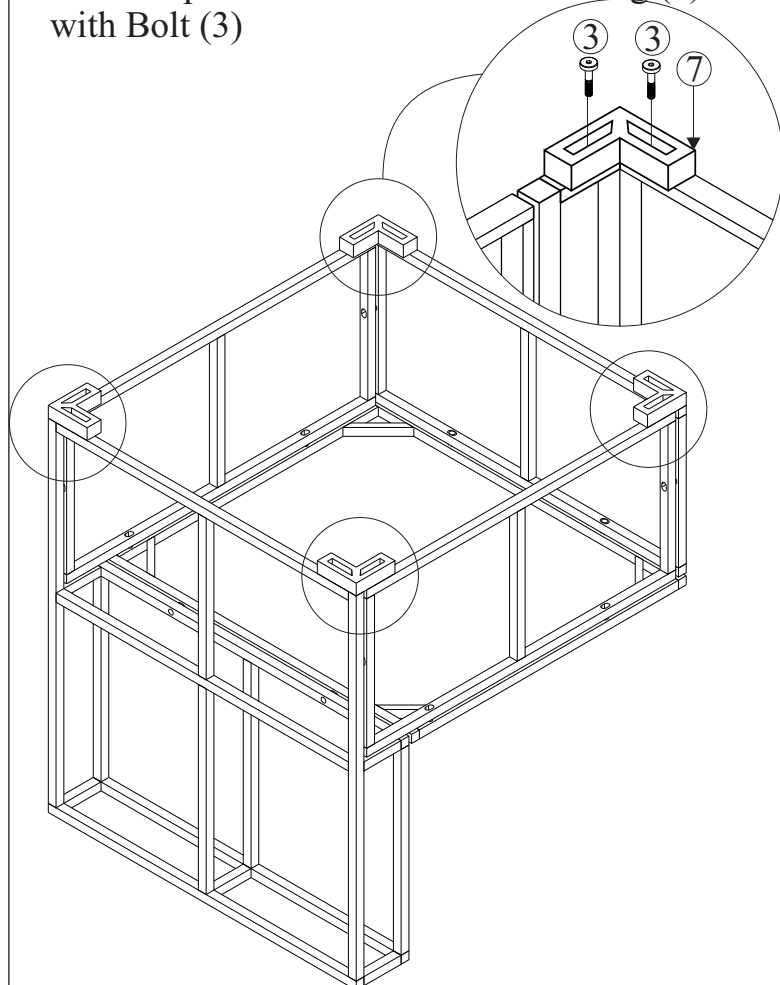
### STEP 17

Connect part from STEP 16 & Single Front Frame (M) with Bolt (2)



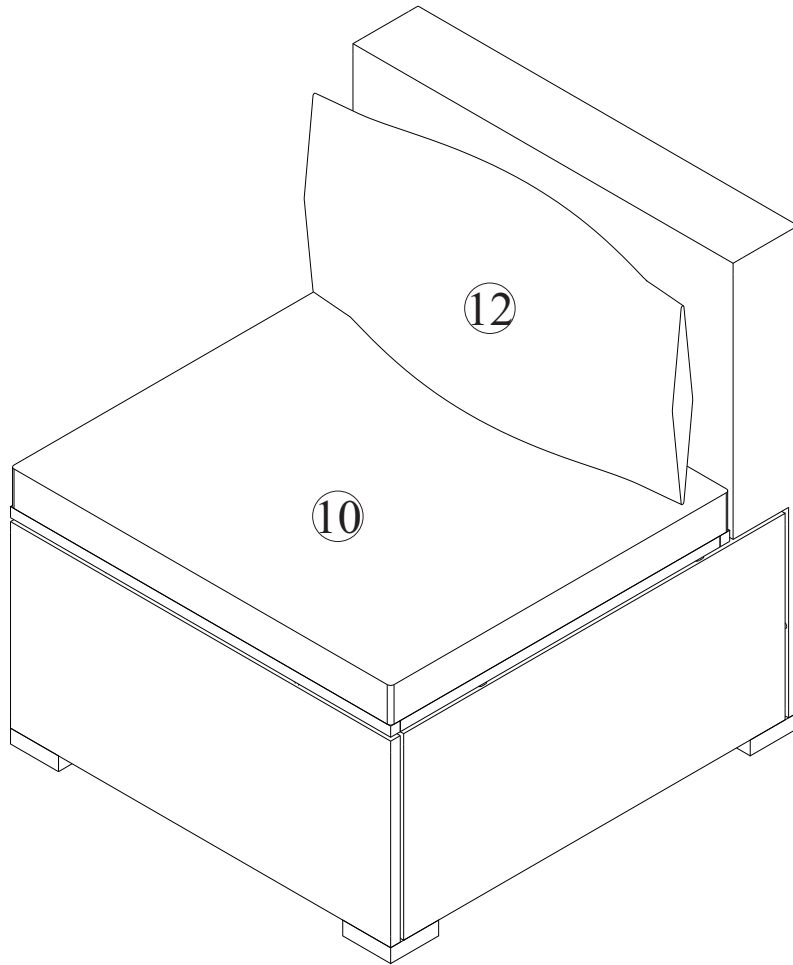
### STEP 18

Connect part from STEP 17 & Sofa Leg (7) with Bolt (3)



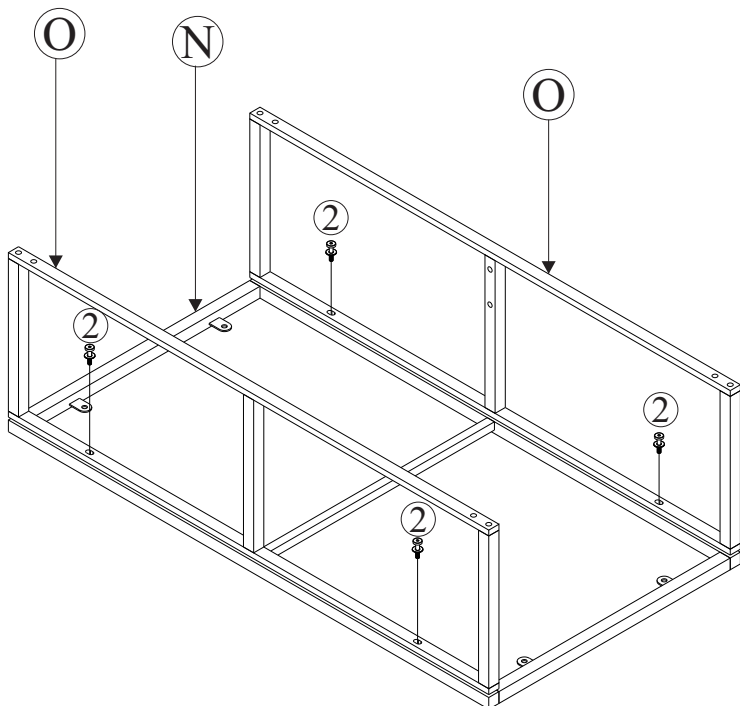
### STEP 19

Put on Seat Cushion (10) & Back Pillow (12) to complete right bench



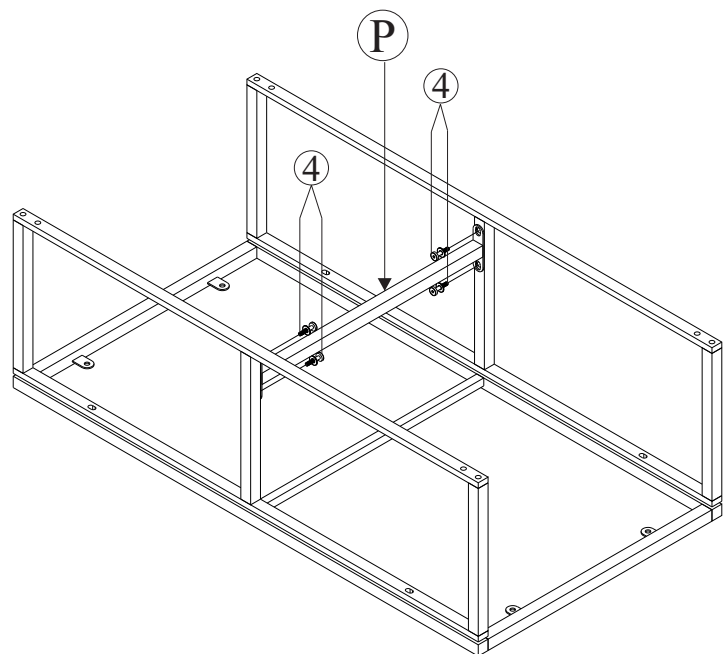
### STEP 20

Connect Table Top Frame (N) & Table Side Frame (O) with Bolt (2)



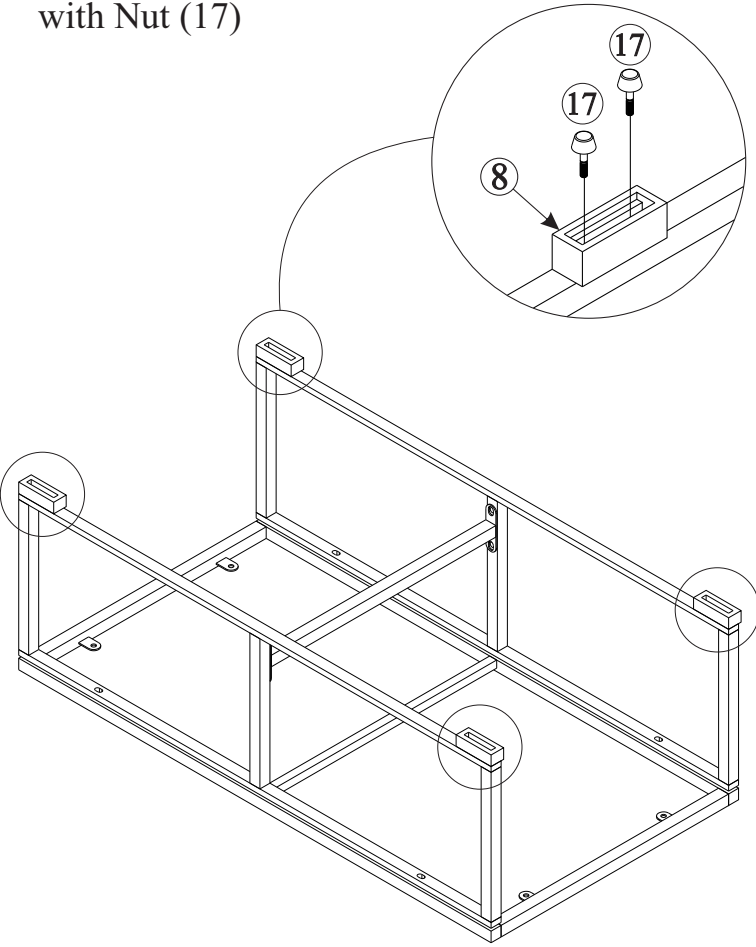
### STEP 21

Connect part from STEP 20 & Connecting Table Frame (P) with Bolt (4)



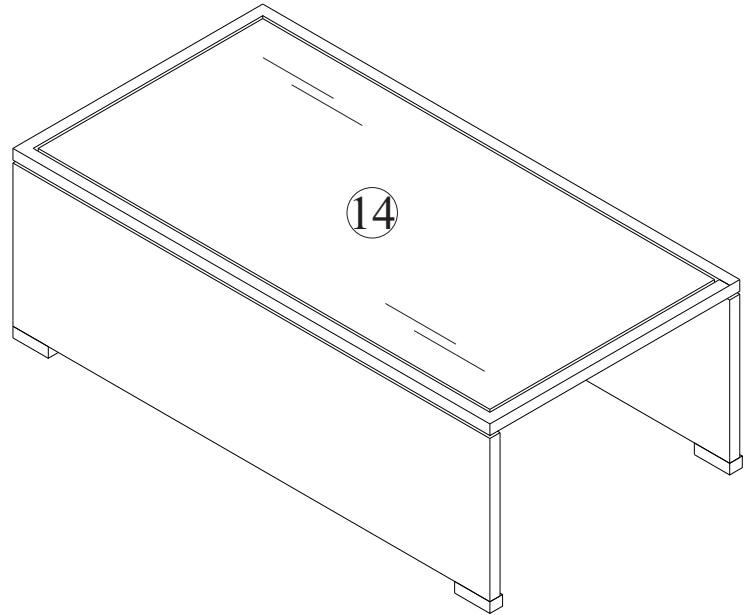
### STEP 22

Connect part from STEP 21 & Sofa Leg (8) with Nut (17)



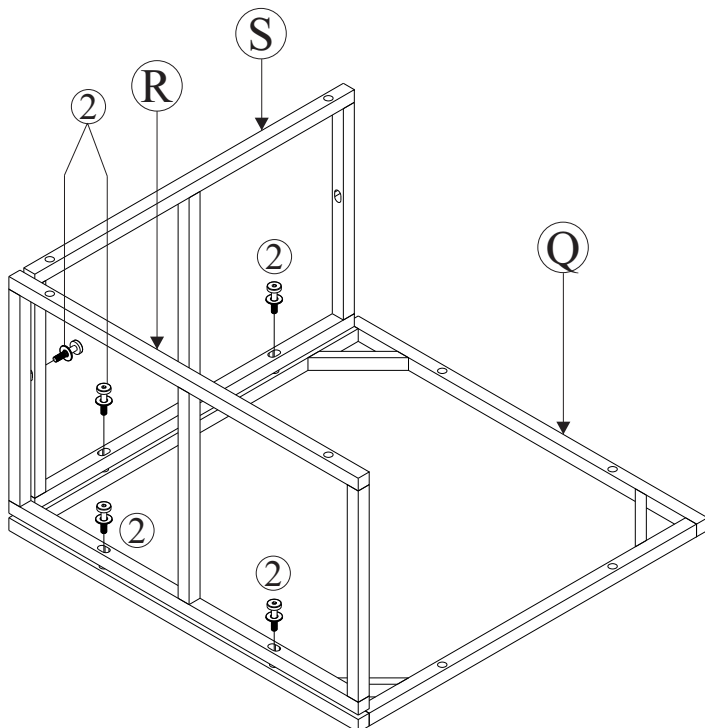
### STEP 23

Put on Table Glass (14) to complete table



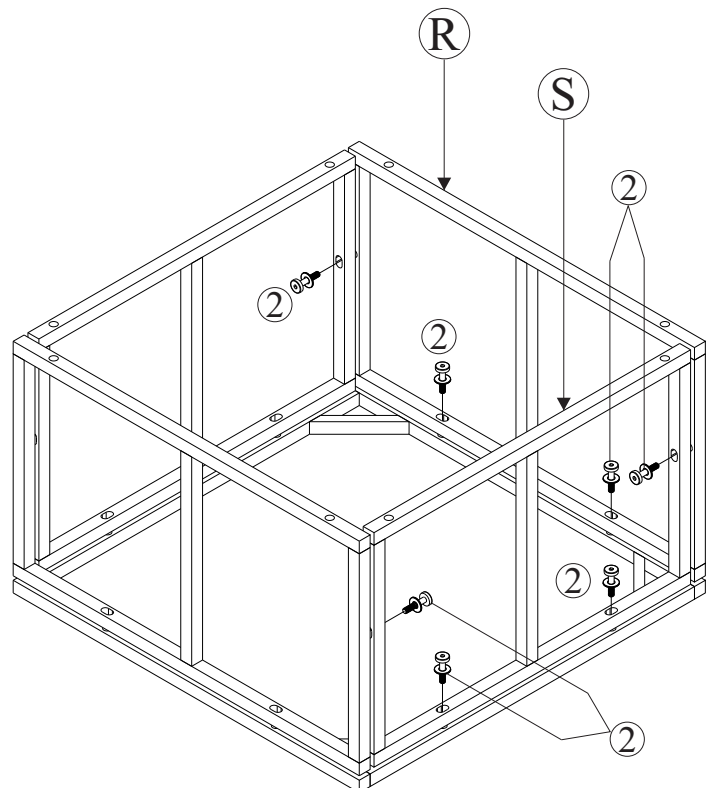
### STEP 24

Connect Stool Seat Frame (Q), Small Side Frame (S) & Big Side Frame (R) with Bolt (2)



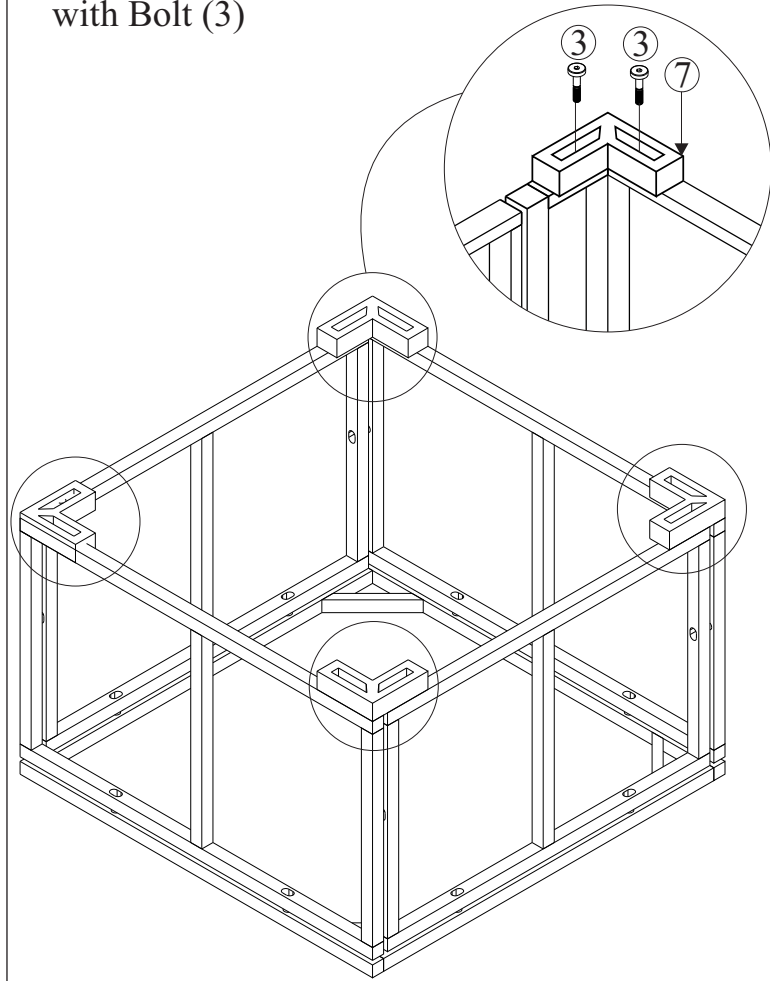
### STEP 25

Connect part from STEP 24, Small Side Frame (S) & Big Side Frame (R) with Bolt (2)



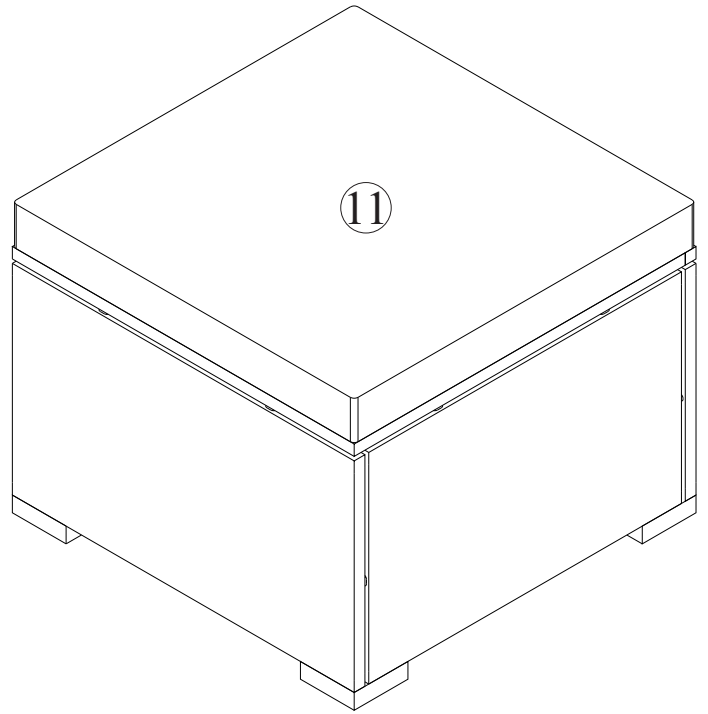
### STEP 26

Connect part from STEP 25 & Sofa Leg (7) with Bolt (3)



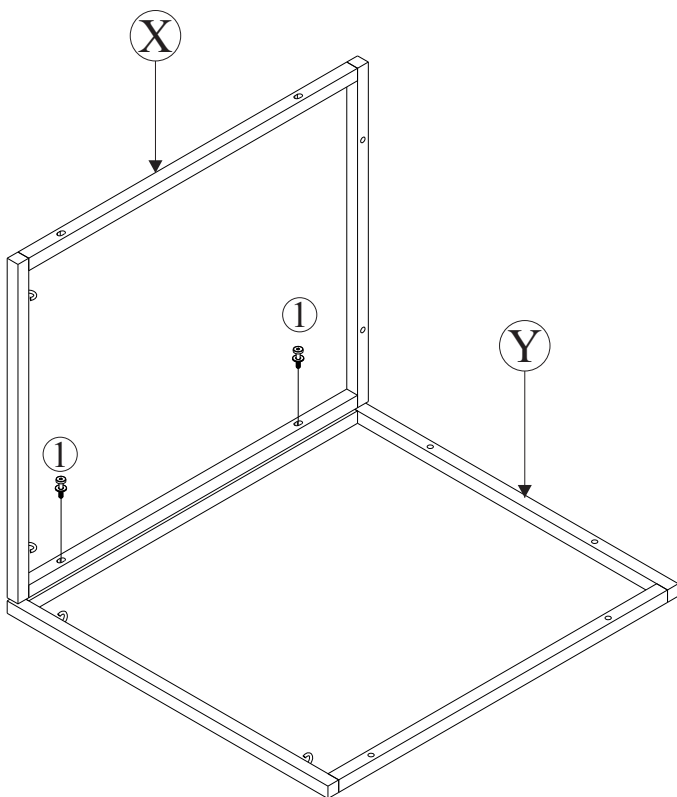
### STEP 27

Put on Stool Cushion (11) to complete stool



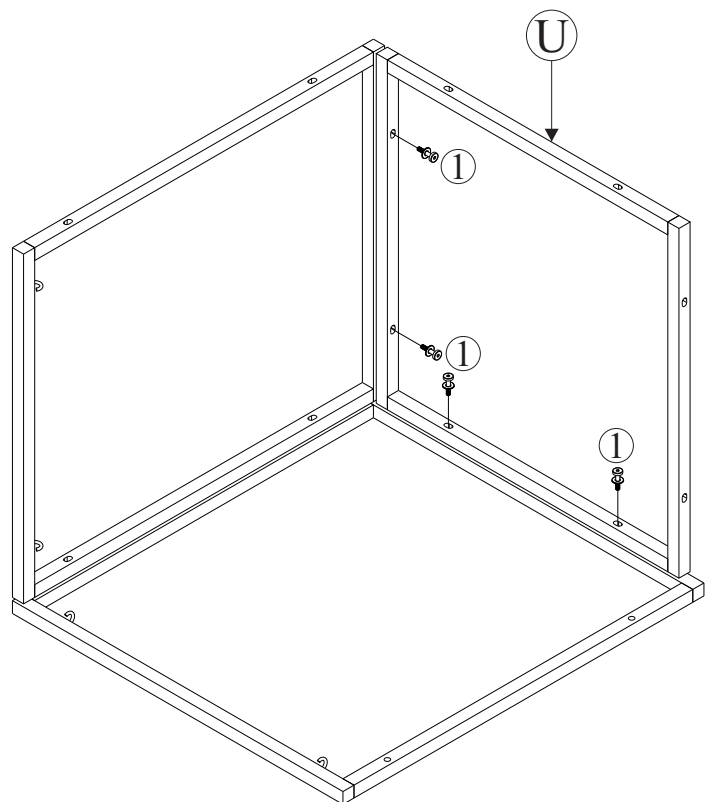
### STEP 28

Connect Box Right Frame (X) & Box Front Frame (Y) with Bolt (1)



### STEP 29

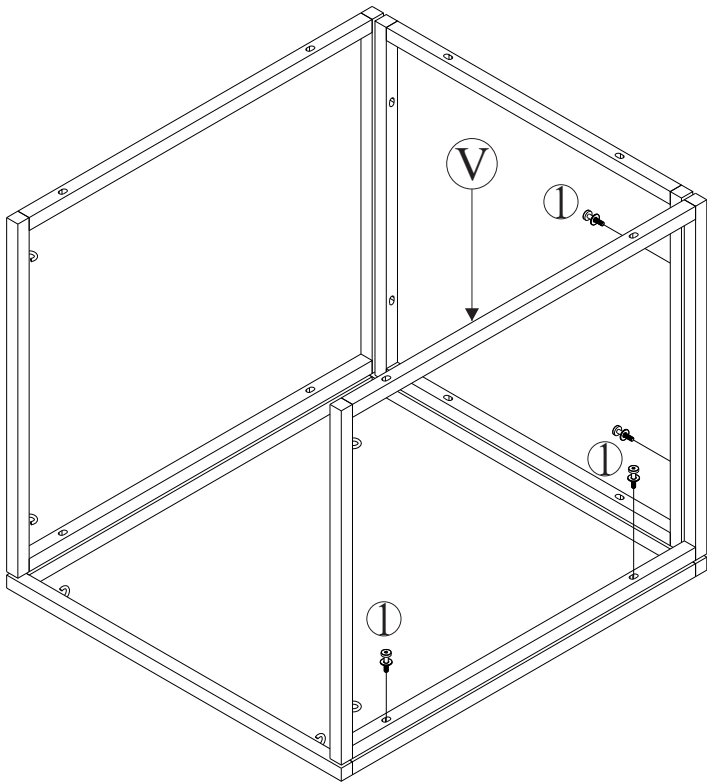
Connect part from STEP 28 & Box Bottom Frame (U) with Bolt (1)





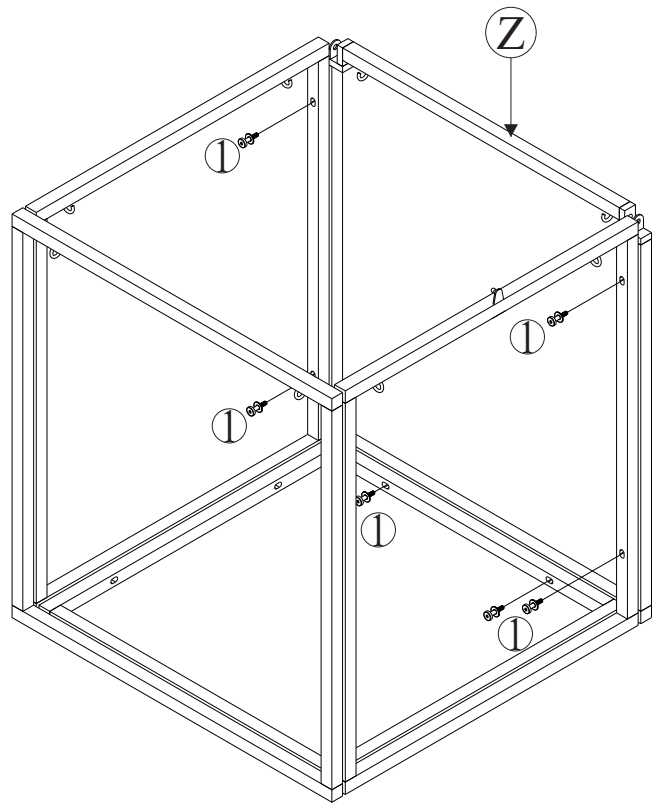
### STEP 30

Connect part from STEP 29 & Box Left Frame (V) with Bolt (1)



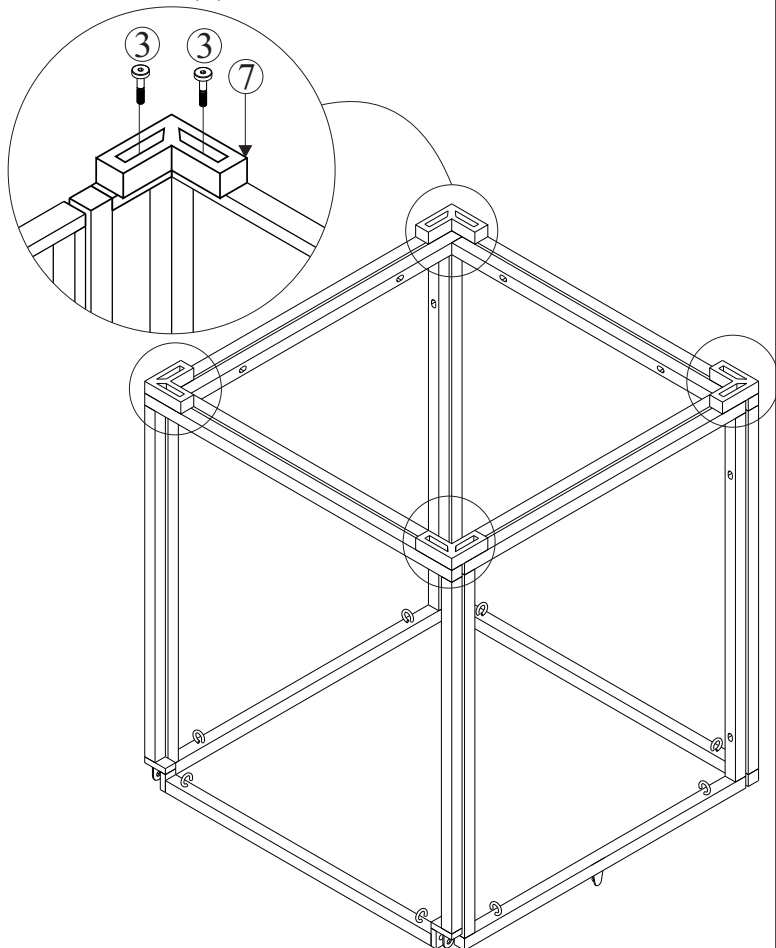
### STEP 31

Connect part from STEP 30 & Box Behind Frame (Z) with Bolt (1)



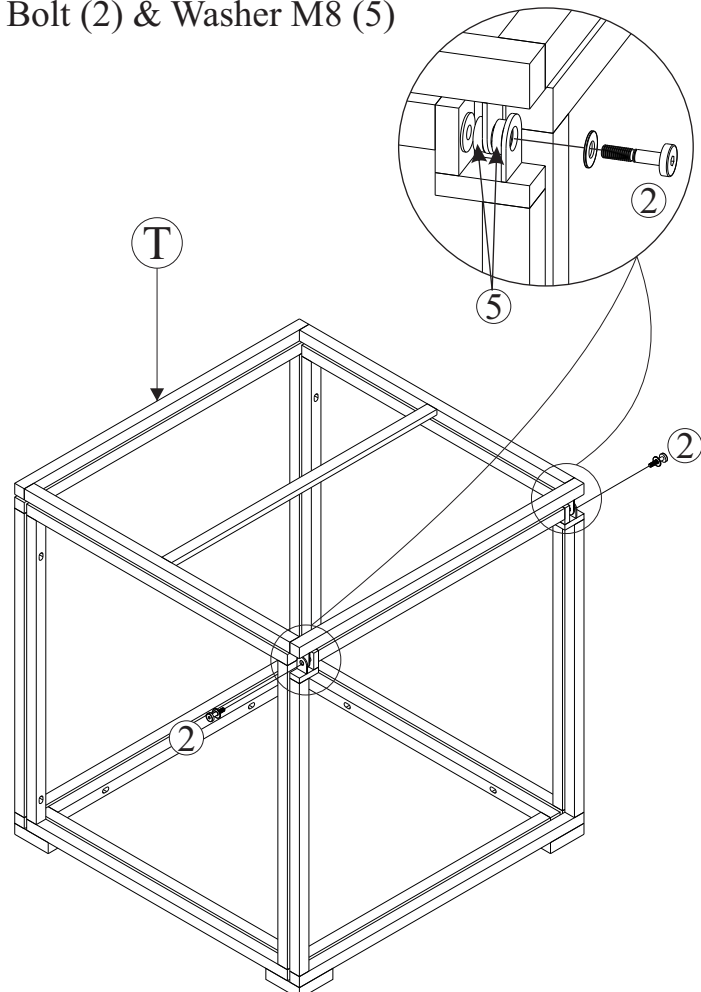
### STEP 32

Connect part from STEP 31 & Sofa Leg (7) with Bolt (3)



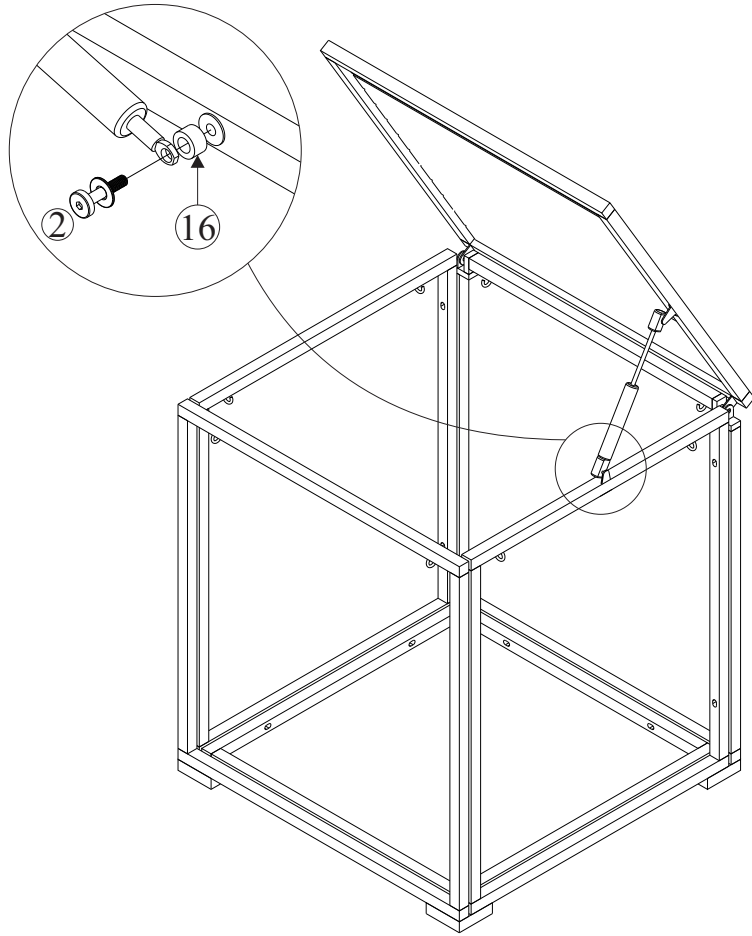
### STEP 33

Connect part from STEP 32 & Box Cover Frame (T) with Bolt (2) & Washer M8 (5)



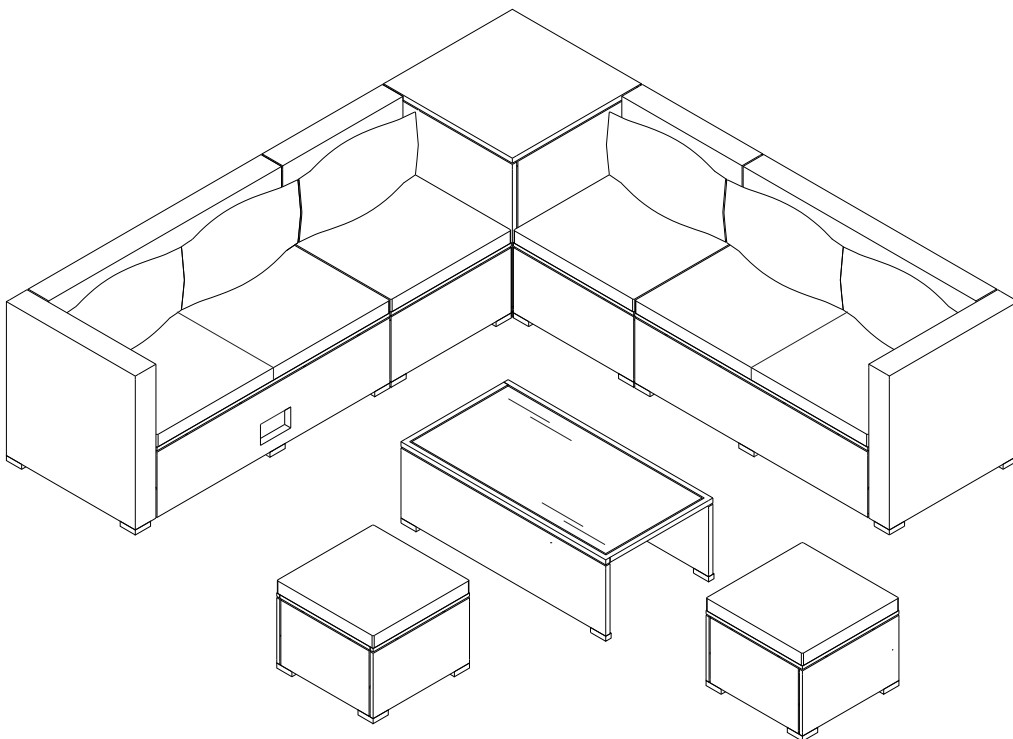
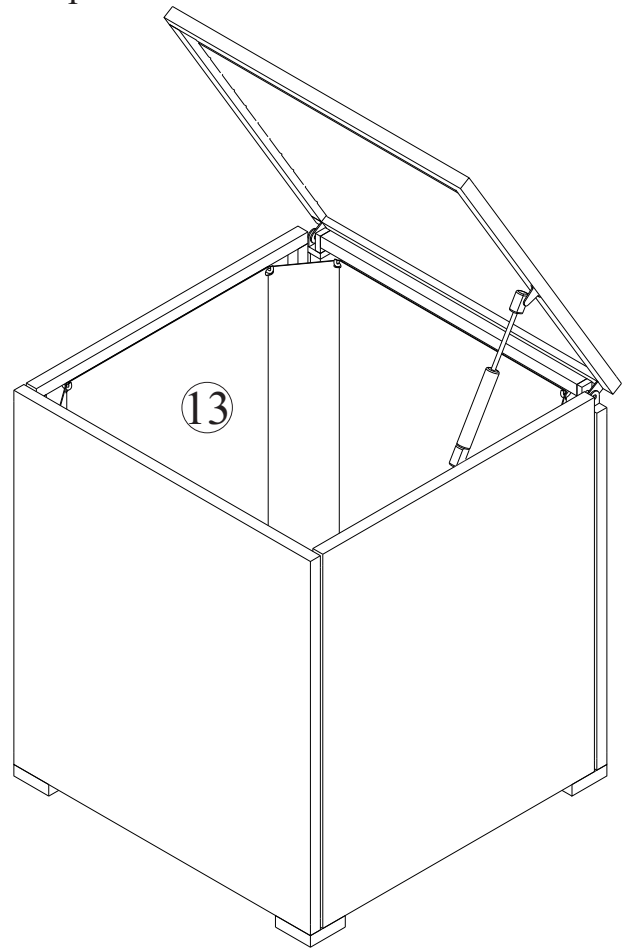
### STEP 34

Connect part from STEP 33, Gaslift & Washer M8 (16) with Bolt (2)



### STEP 35

Connect part from STEP 34 & Rain Cover (13) to complete cushion box.



**FINISH**