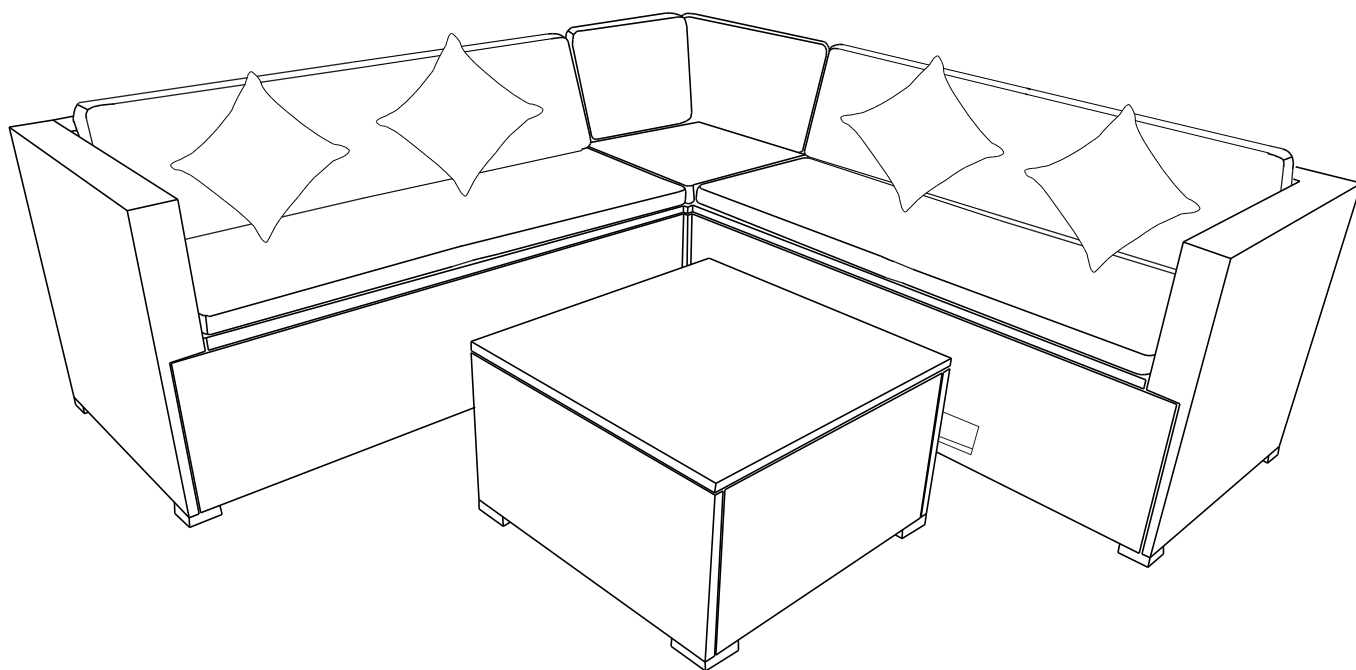


ASSEMBLY MANUAL BRUKSANVISNING

Lyfco®



NOTE: 50% TIGHTEN BEFORE FIXING ALL BOLTS

VIKTIGT – LÄS MONTERINGSANVISNINGARNA NOGA INNAN DU BÖRJAR

Please don't remove the batch code sticker at back side of this product!

Any feedback please take picture of this batch code for traceability purpose

Ta inte bort etiketten med batchnummer som finns på möbelen. Om du behöver hjälp med service eller reklamation av din möbel – ange möblensbatchnummer till återförsäljaren, så att du kan få rätt reservdelar till just din möbel.

XX-YYWW

SKU: 166-1-75

MODEL NAME: Vrångö

MODELLNAMN: Vrångö

Konsumentkontakt

Arc E-commerce AB

Box 3124

13603 Haninge

Attention! Please note that at first all screws should be inserted slightly by hand! Turn 2-3 times so that the screw grips on its own and connects all elements loosely. The screws must only be driven in tightly when all elements are connected with each other in this way. Otherwise the setup won't be possible. Only by driving them in tightly afterwards, small deviations of the borehole or the welded joints, which always occur with handcrafted products, can be compensated.

Var uppmärksam! Sätt först i samtliga skruvar löst. **Dra inte åt,** för då finns risk att skruvhålen inte passar.

Notes on an optimized assembly:

Before you completely tighten the screws, check carefully all the screws and tighten them (only) to the extent that the product remains (especially chairs or loungers) still under load. If you are sure that your product can withstand load, place it on a solid, level ground and put some weight on it, please carefully and always with cushions. The various components can then align with each other. Then tighten completely the screws. Thus you achieve an optimal alignment of the product and prevent wobbling. Don't sit, find some weight.

Innan du drar åt skruvarna helt, gör såhär för bästa resultat:

Ställ möbelen på en helt slät yta och lägg ett tillräckligt tungt föremål (ca 10-15kg) på den, så att alla ben nuddar marken. Skruva därefter i skruvarna helt. Obs – använd inte din kroppstyngd, då det är för mycket vikt. Om du följer dessa råd, blir din möbel stabil.

Om du inte följer dessa instruktioner kommer möbelen att bli ostadiga och "vickiga" då produkten upplevs ojämn.

Your new product was made by hand.

Slightly irregularities are rather seen as a quality attribute than as a reason for complaints.

Din nya möbel är handgjord. Små avvikelser kan därför förekomma och är ett kvalitetsattribut snarare än ett fel.

Tip: Always fully insert the hex key inside designated notch of screw.

Tips: Var noga att alltid sätta in insexnyckeln helt ner i skruven.



If you don't do that and slip out of the screw, the screw will suffer damage and it can cause the screw head to become round inside you won't be able to find grip with the hex key anymore!

Om du inte gör det finns risk att insexnyckeln slinter, vilket skadar skruven. Skruven kan då bli obrukbar.



DON'T'S

Don't use this product if parts are missing, damaged or worn down.

Don't use any electronic tools to set up these products. The high energy of these electronic tools will cause screw over-tightening and therefore they won't grip.

Don't over-tighten screws or bolts. Only tighten the screws entirely after the product is completely set up. You shouldn't sit or stand on it.

Don't let your product stand in the rain. Protect it from weather impacts. In times of freeze and over the winter, we suggest you to store the product in a covered dry place.



VIKTIGT

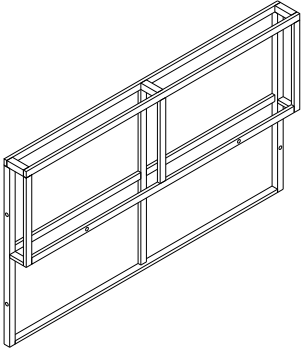
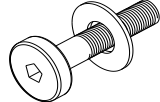
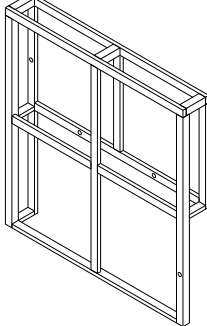
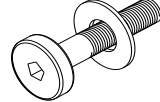
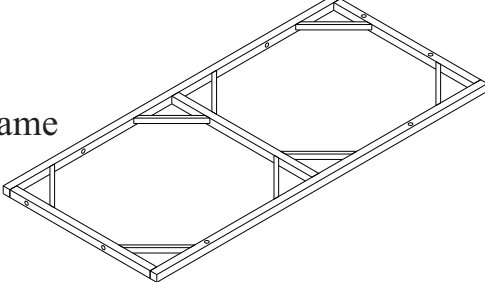
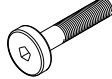
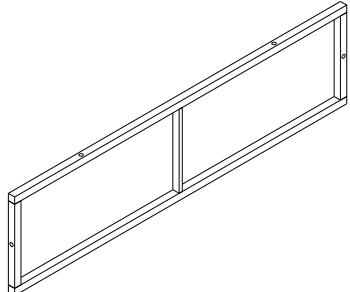
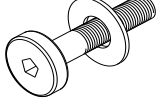
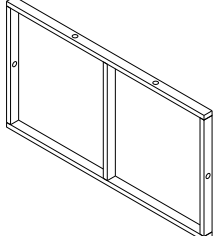
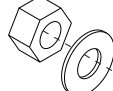
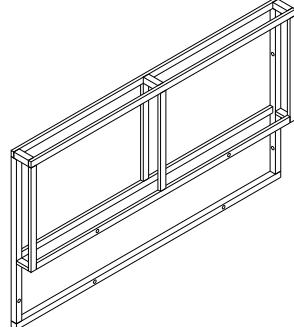
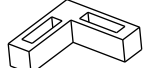
Använd inte den här produkten om delar saknas, är skadade eller utslitna.

Använd inte elektriska skruvdragare för att montera produkten. Den höga kraften i elektriska verktyg kommer dra åt skruvarna för hårt vilket kan skada gängorna.

Spänn inte skruvar eller muttrar för hårt. Dra åt alla skruvar efter att hela möbelen monterats. Stå eller sitt inte på bordet.

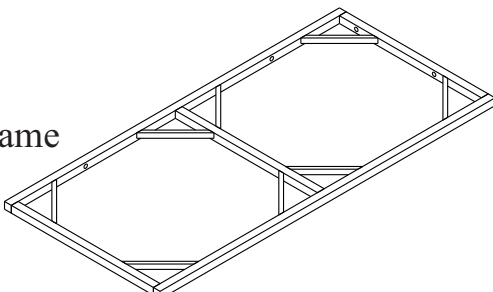
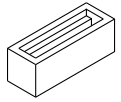
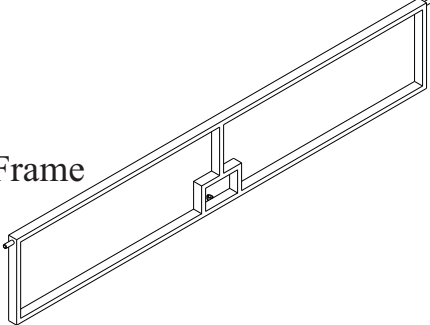
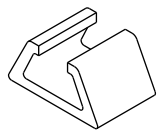
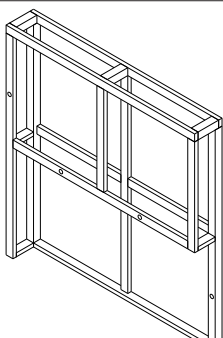
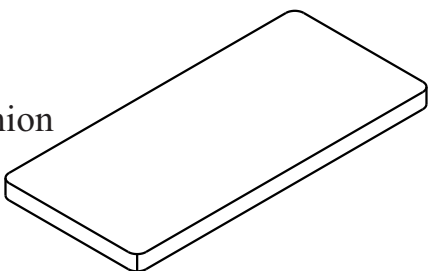
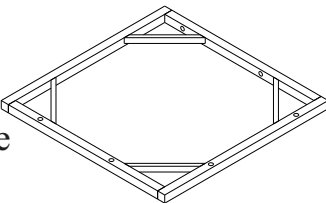
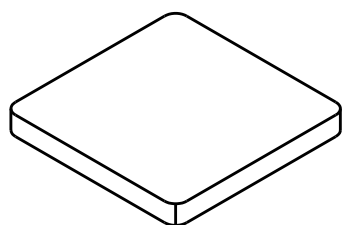
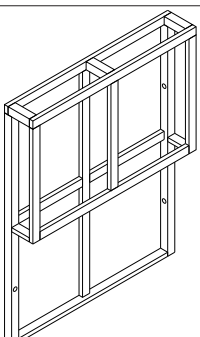
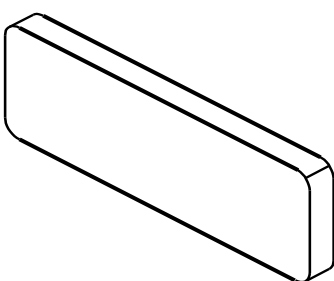
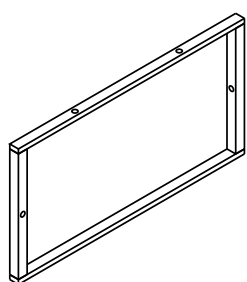
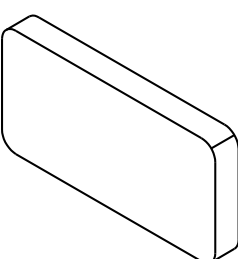
För att förlänga livslängden på möbelen, undvik att låta den stå i regn. Under vintertid rekommenderar vi att möbelen förvaras inomhus, i torr miljö.

Component**Hardware**

A		1		
Right Back Frame 	1 pc	Bolt M6x40mm		12 pcs
Right Frame 	1 pc	Bolt M6x30mm		23 pcs
Seat Frame 	1 pc	Bolt M6x25mm		36 pcs
Front Frame 	1 pc	Bolt M6x60mm		18 pcs
Side Frame 	2 pcs	Nut M6		18 pcs
Left Back Frame 	1 pc	Sofa Leg		16 pcs

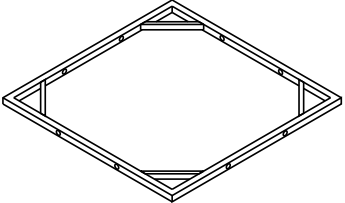
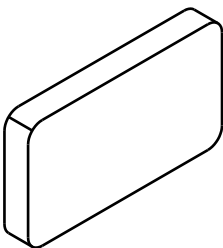
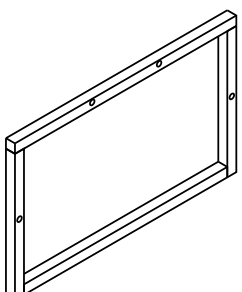
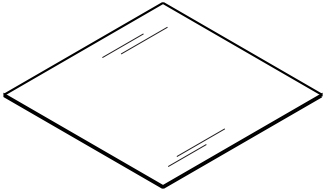
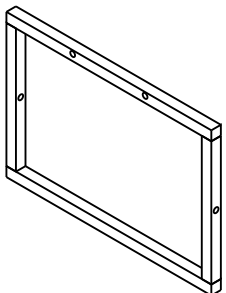
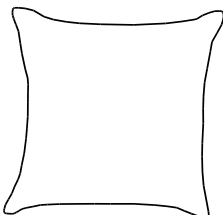
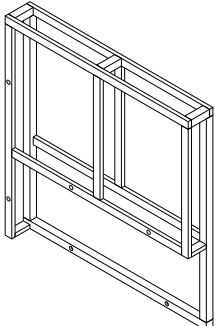
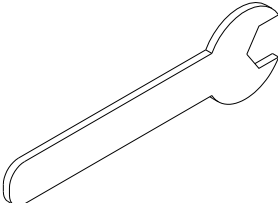
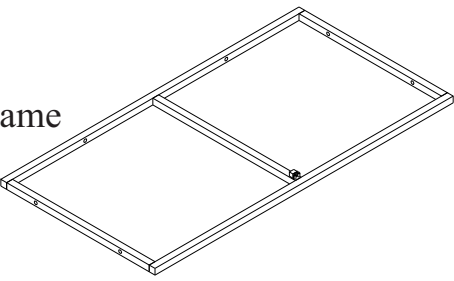
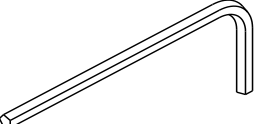
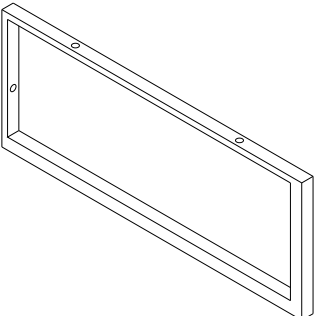
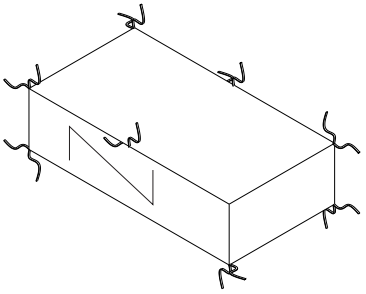
Component

Hardware

<p>G</p> <p>Seat Frame</p> 	<p>1 pc</p>	<p>7</p> <p>Sofa Leg</p>  <p>2 pcs</p>
<p>H</p> <p>Lid Open Frame</p> 	<p>1 pc</p>	<p>8</p> <p>Sofa Connector</p>  <p>2 pcs</p>
<p>I</p> <p>Left Frame</p> 	<p>1 pc</p>	<p>9</p> <p>Bench Cushion</p>  <p>2 pcs</p>
<p>J</p> <p>Corner Seat Frame</p> 	<p>1 pc</p>	<p>10</p> <p>Corner Cushion</p>  <p>1 pc</p>
<p>K</p> <p>Small Corner Frame</p> 	<p>1 pc</p>	<p>11</p> <p>Back Cushion</p>  <p>2 pcs</p>
<p>L</p> <p>Corner Front Frame</p> 	<p>1 pc</p>	<p>12</p> <p>Small Corner Cushion</p>  <p>1 pc</p>

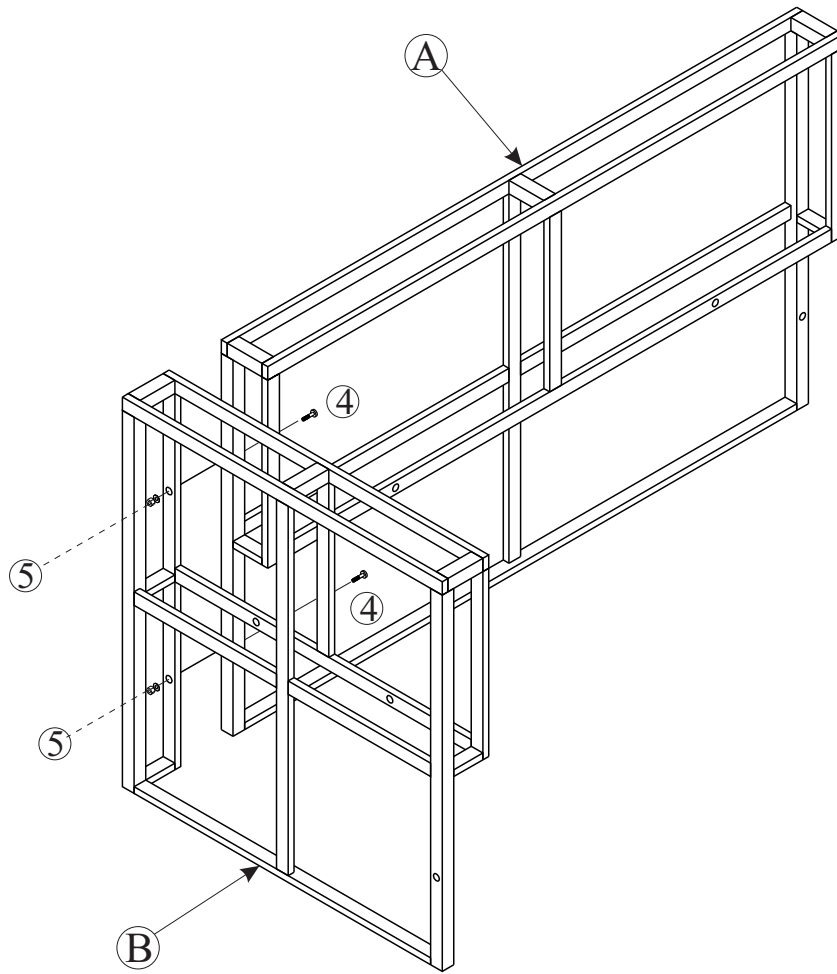
Component

Hardware

<p>M</p> <p>Table Top Frame</p> 	<p>1 pc</p>	<p>13</p> <p>Big Corner Cushion</p> 	<p>1 pc</p>
<p>N</p> <p>Long Table Frame</p> 	<p>2 pcs</p>	<p>14</p> <p>Table Glass</p> 	<p>1 pc</p>
<p>O</p> <p>Short Table Frame</p> 	<p>2 pcs</p>	<p>15</p> <p>Pillow</p> 	<p>4 pcs</p>
<p>P</p> <p>Left Frame</p> 	<p>1 pc</p>	<p>16</p> <p>Spanner</p> 	<p>1 pc</p>
<p>Q</p> <p>Bottom Frame</p> 	<p>1 pc</p>	<p>17</p> <p>Allen key</p> 	<p>1 pc</p>
<p>R</p> <p>Side Frame</p> 	<p>1 pc</p>	<p>S</p> <p>Rain Cover</p> 	<p>1 pc</p>

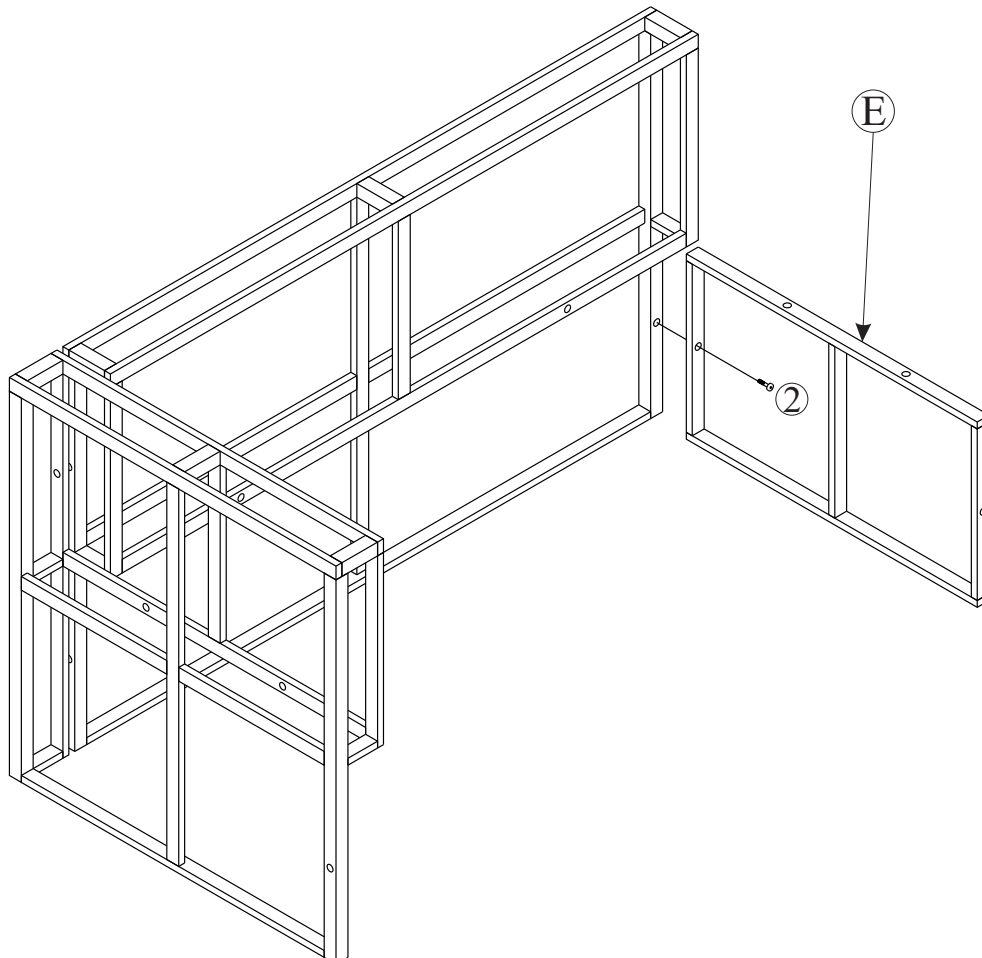
STEP 1

Connect Right Back Frame (A) & Right Frame (B) with Bolt (4) & Nut M6 (5)



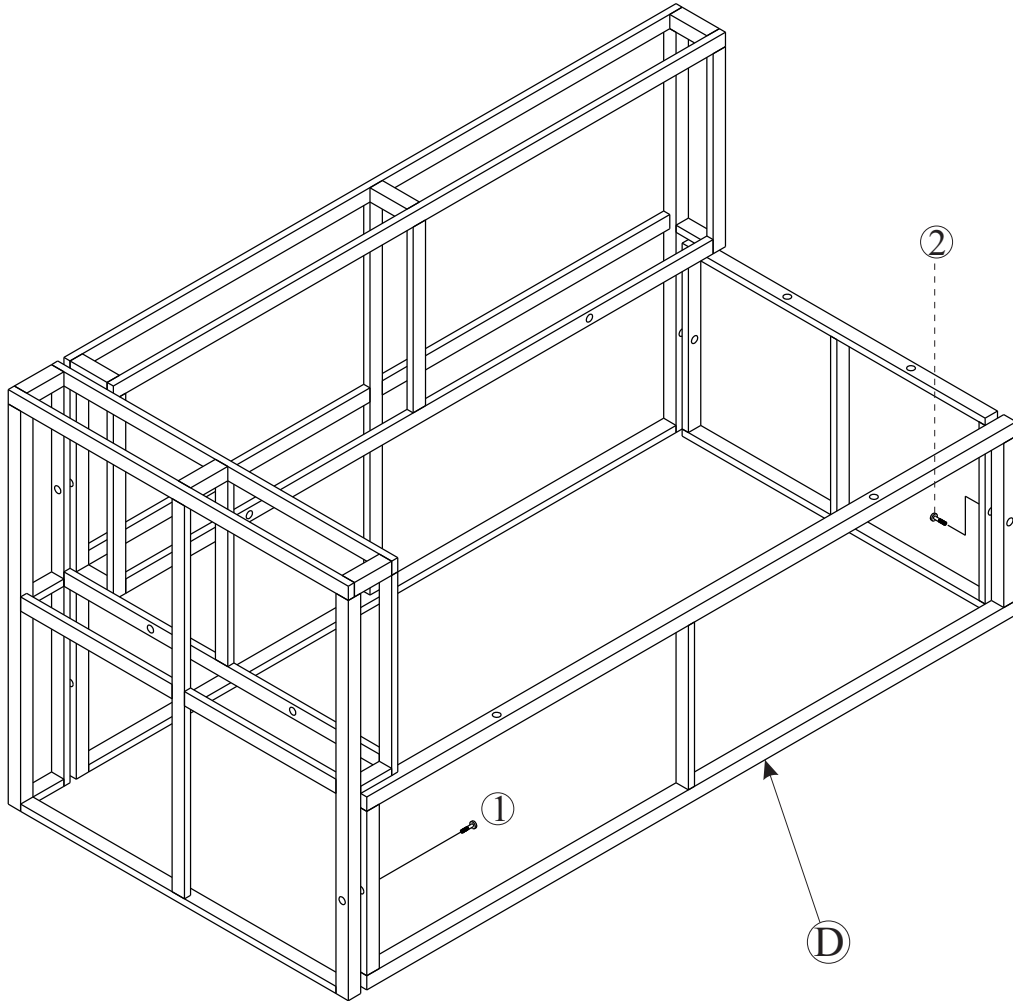
STEP 2

Connect part from STEP 1 & Side Frame (E) with Bolt (2)



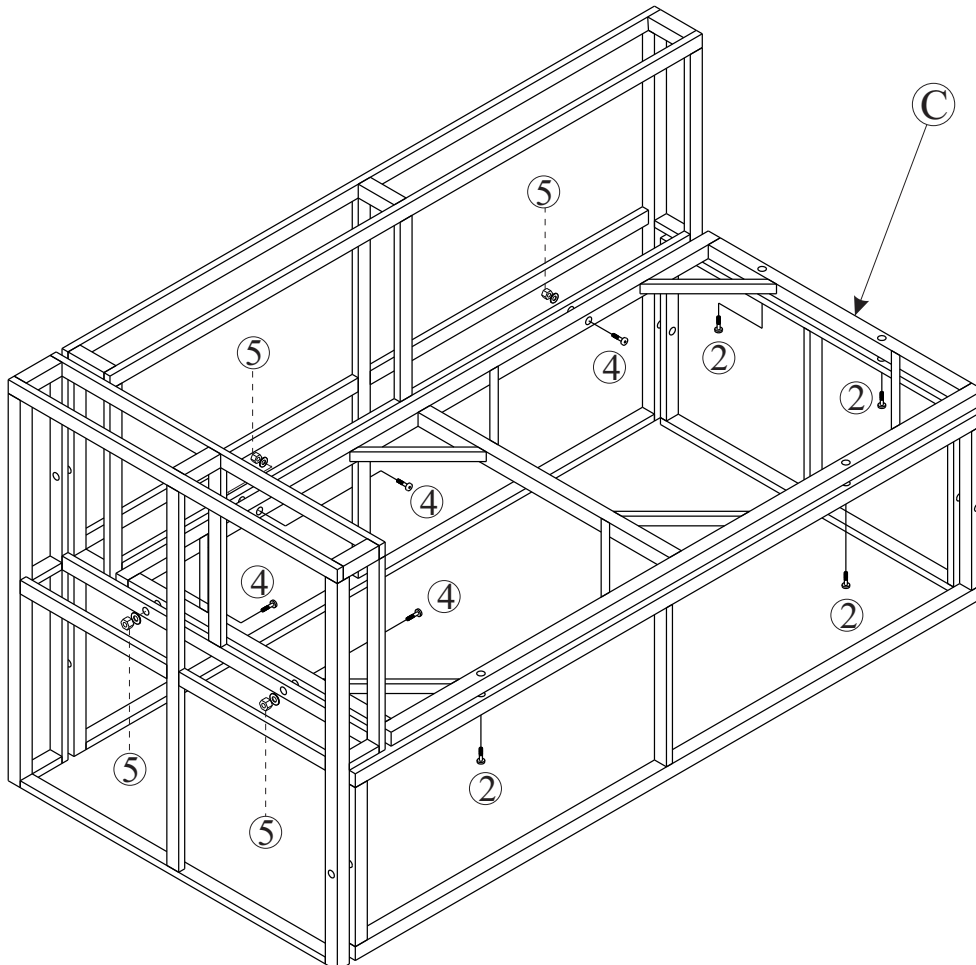
STEP 3

Connect part from STEP 2 & Right Front Frame (D) with Bolt (1) & (2)



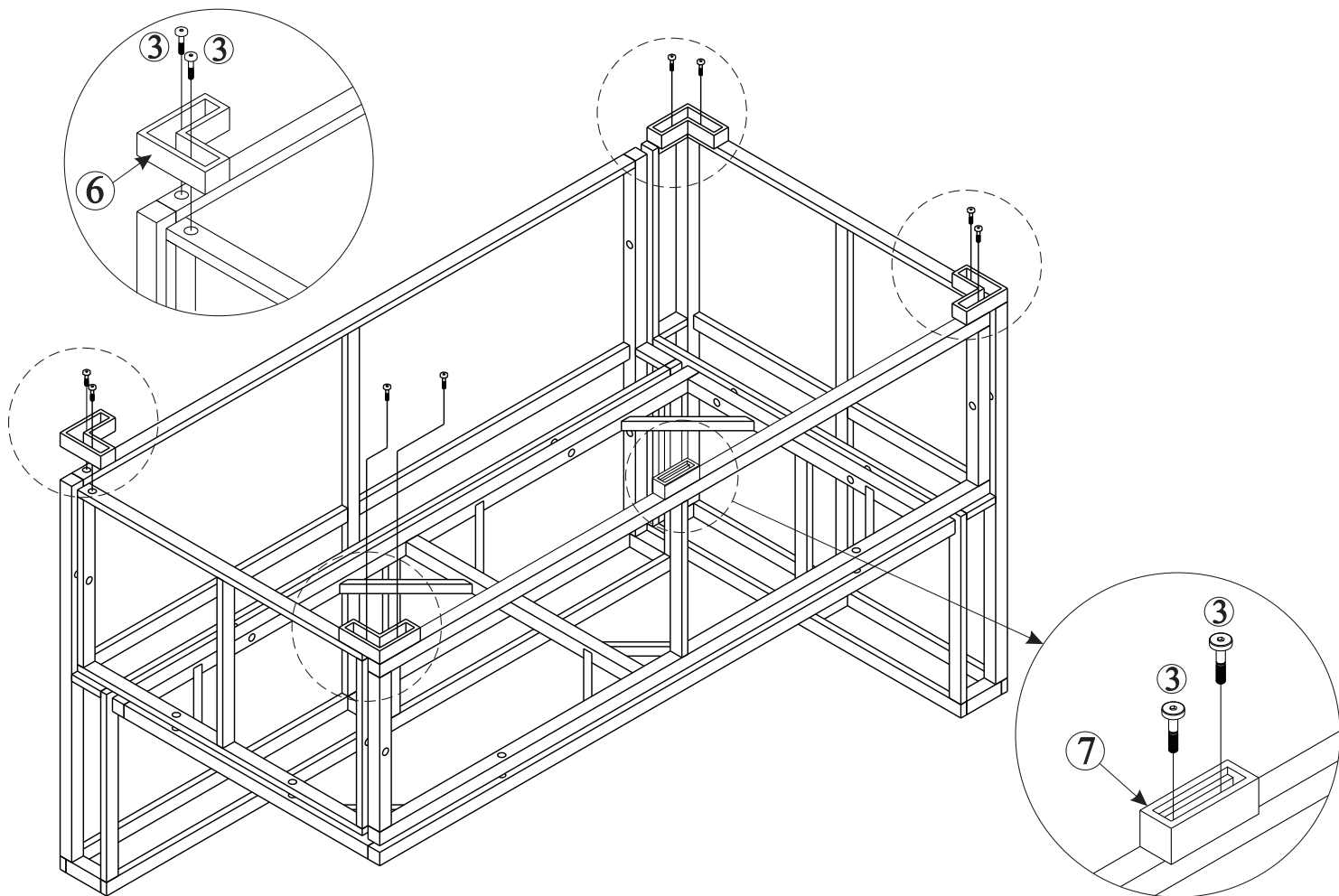
STEP 4

Connect part from STEP 3 & Right Seat Frame (C) with Bolt (2), (4) & Nut M6 (5)



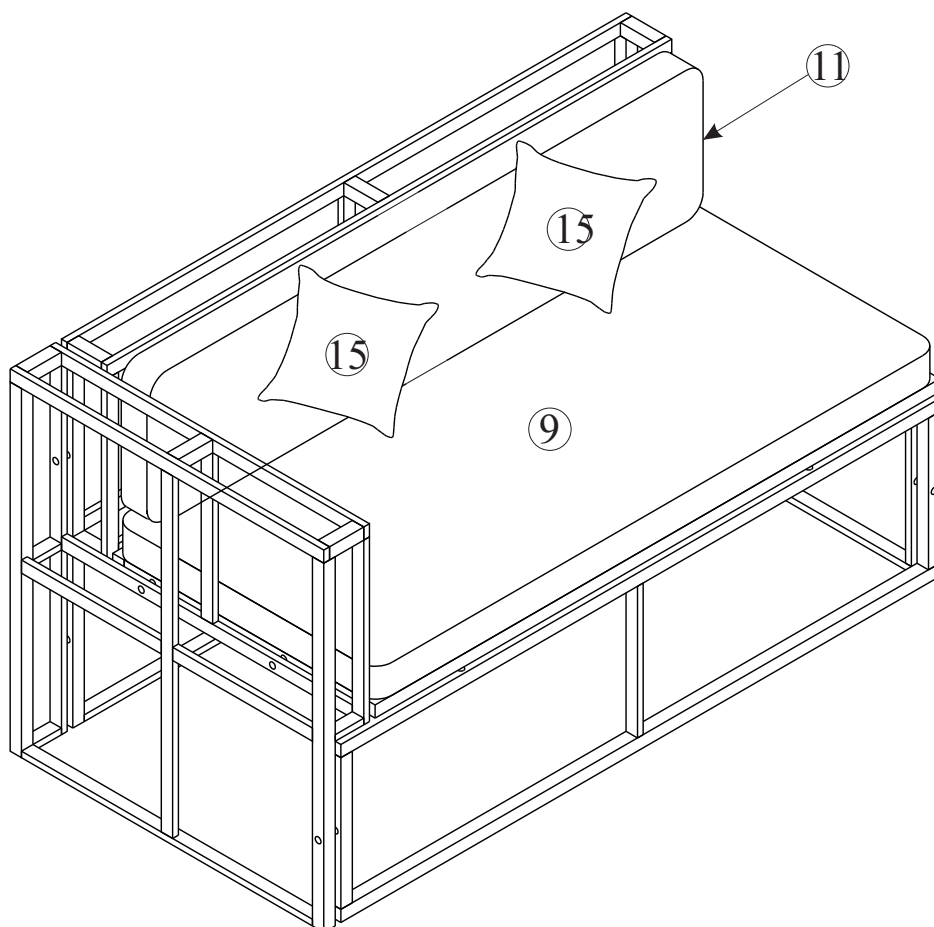
STEP 5

Overtum STEP 4, connect part from STEP 4 & Sofa Leg (6), (7) with Bolt (3)



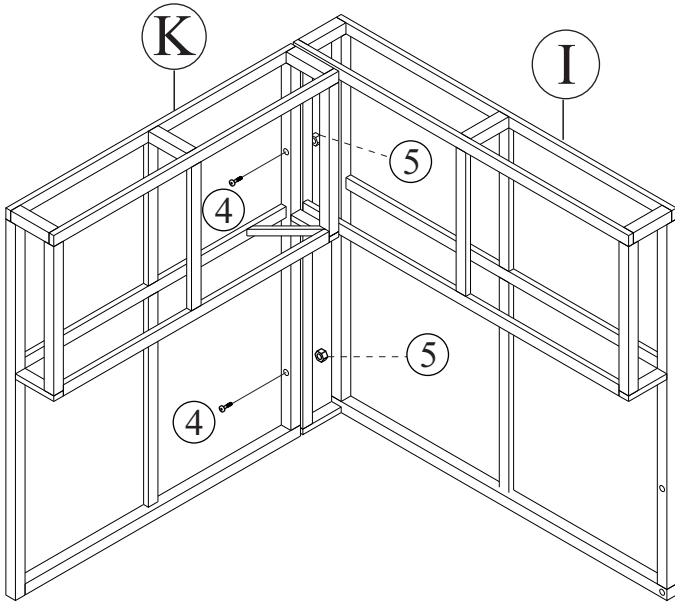
STEP 6

Put on Seat Cushion (9), Back Cushion (11) & Pillow (15) to complete Right Bench Sofa



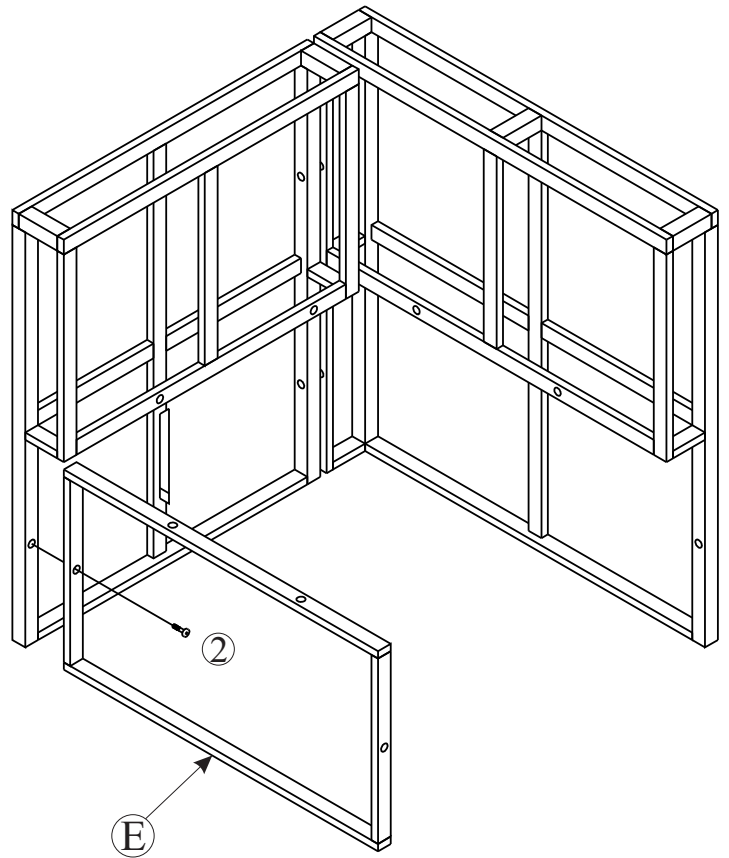
STEP 7

Connect Left Frame (I) & Small Corner Frame (K) with Bolt (4) & Nut M6 (5)



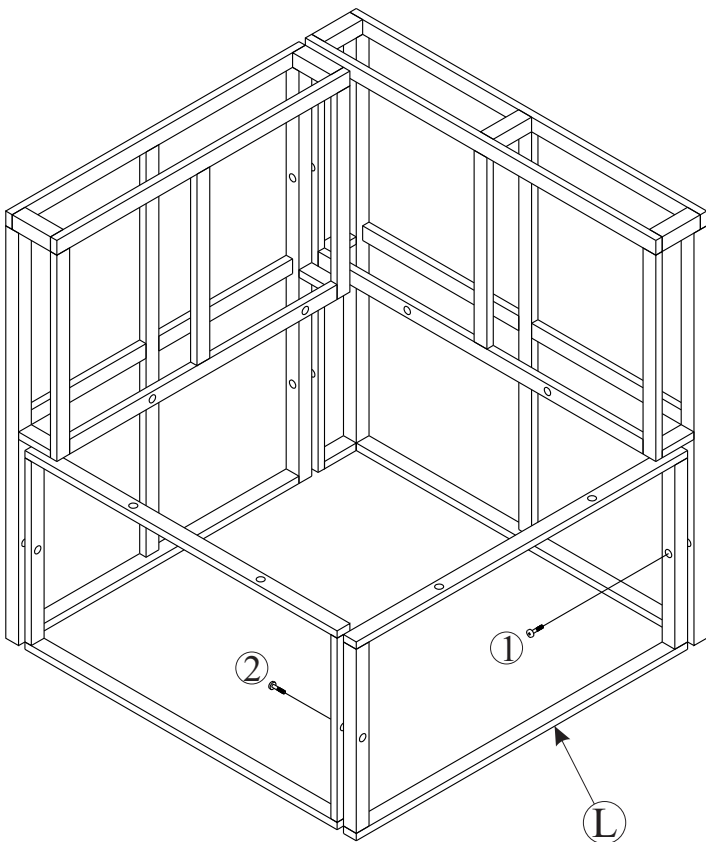
STEP 8

Connect part from STEP 13 & Side Frame (E) with Bolt (2)



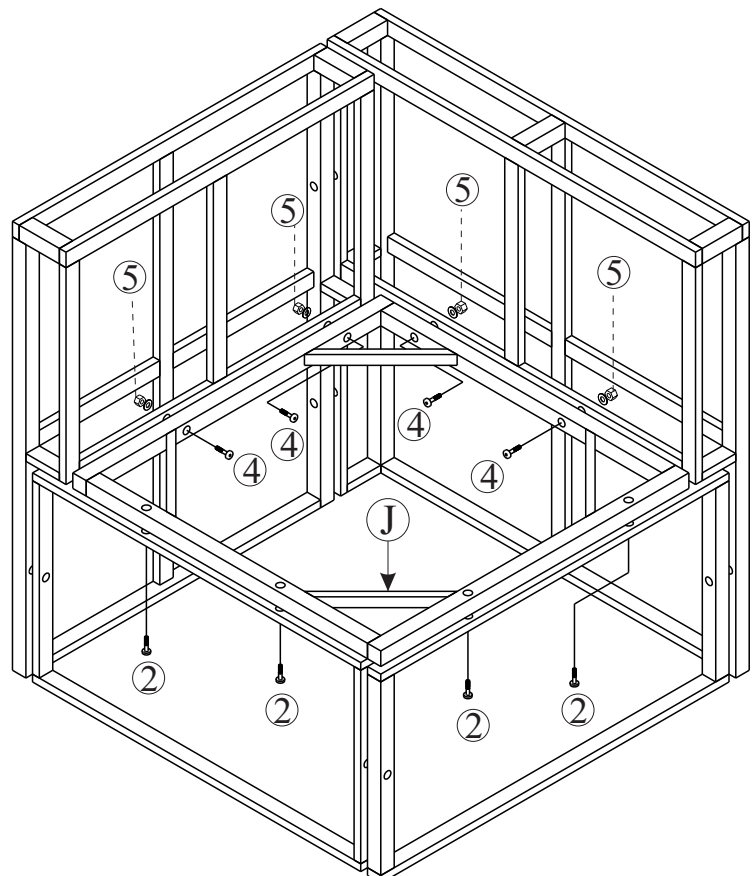
STEP 9

Connect part from STEP 14 & Corner Front Frame (L) with Bolt (1) & (2)



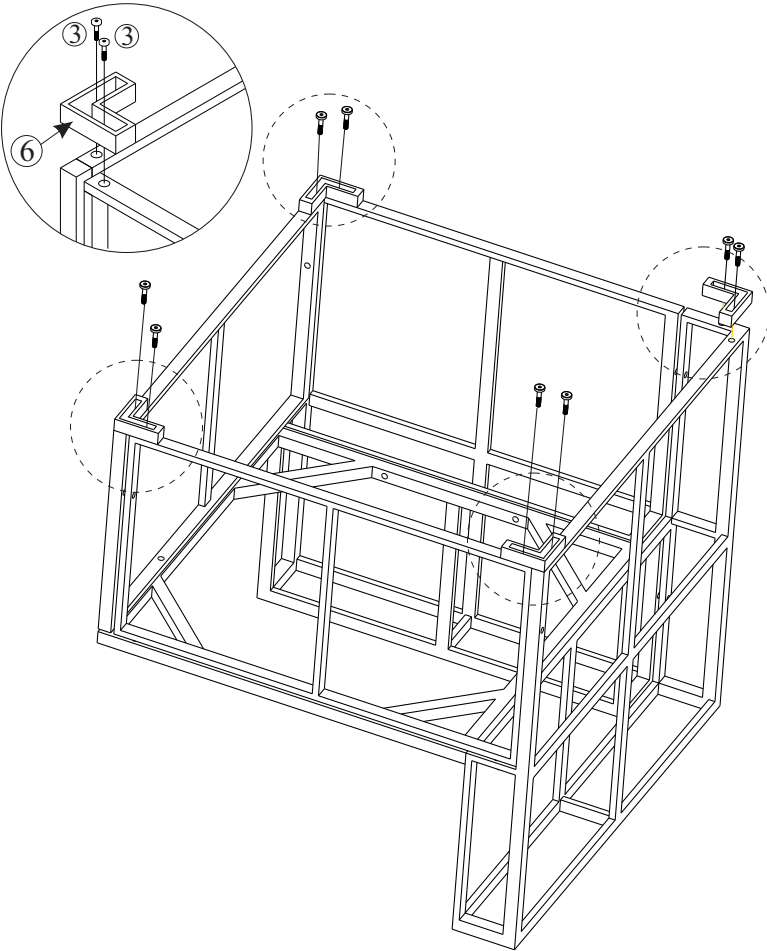
STEP 10

Connect part from STEP 15 & Corner Seat Frame (J) with Bolt (2), (4) & Nut M6 (5)



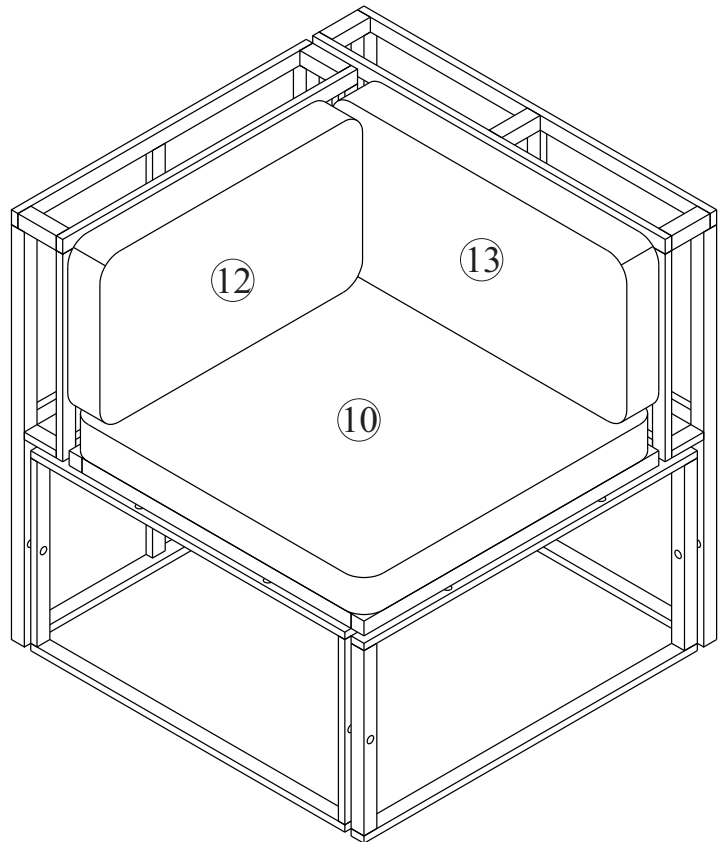
STEP 11

Overturn STEP 16, connect part from STEP 16 & Sofa Leg (6) with Bolt (3)



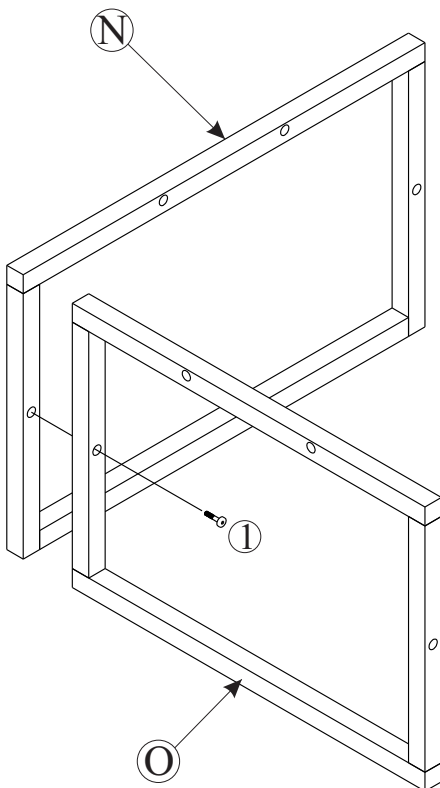
STEP 12

Put on Big Corner Cushion (13), Small Corner Cushion (12) & Corner Seat Cushion (10) to complete corner sofa



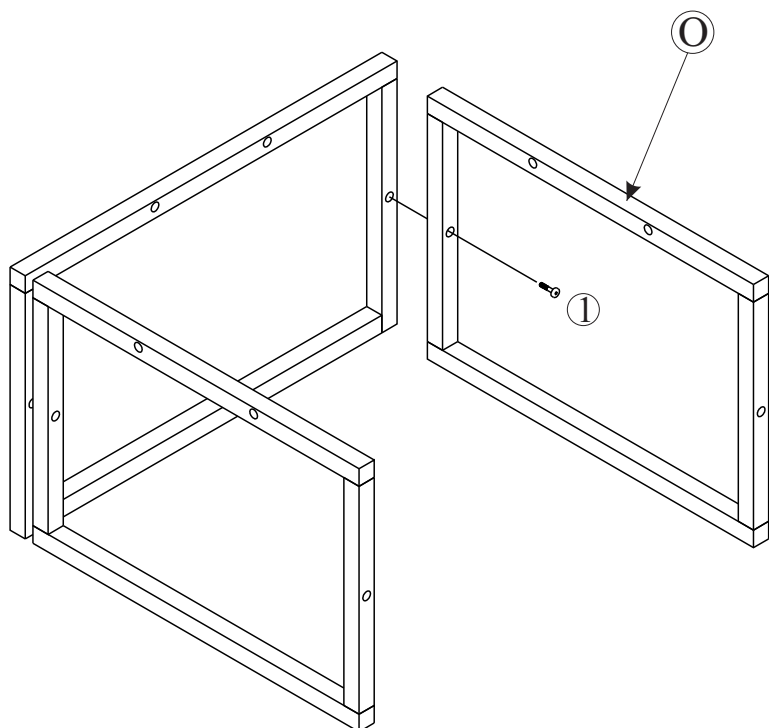
STEP 13

Connect Long Table Frame (N) & Short Table Frame (O) with Bolt (1)



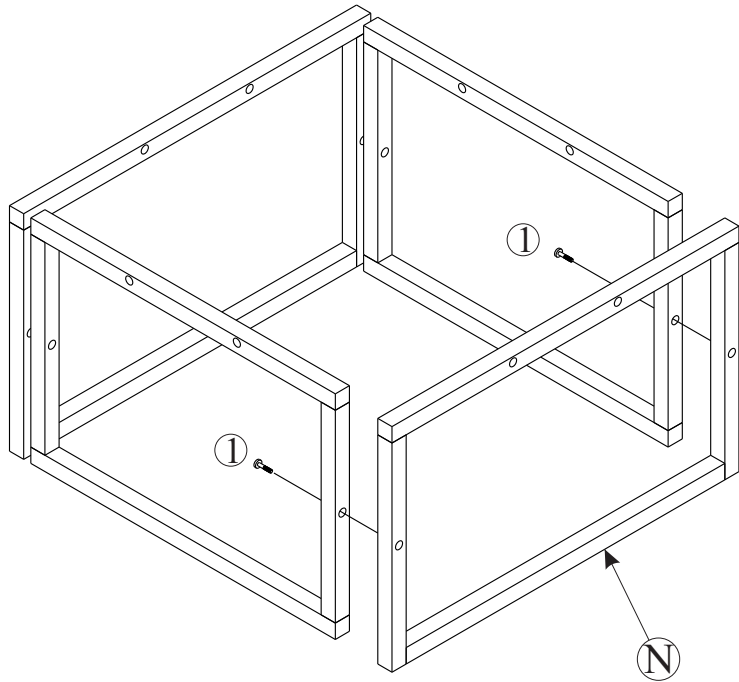
STEP 14

Connect part from STEP 19 & Short Table Frame (O) with Bolt (1)



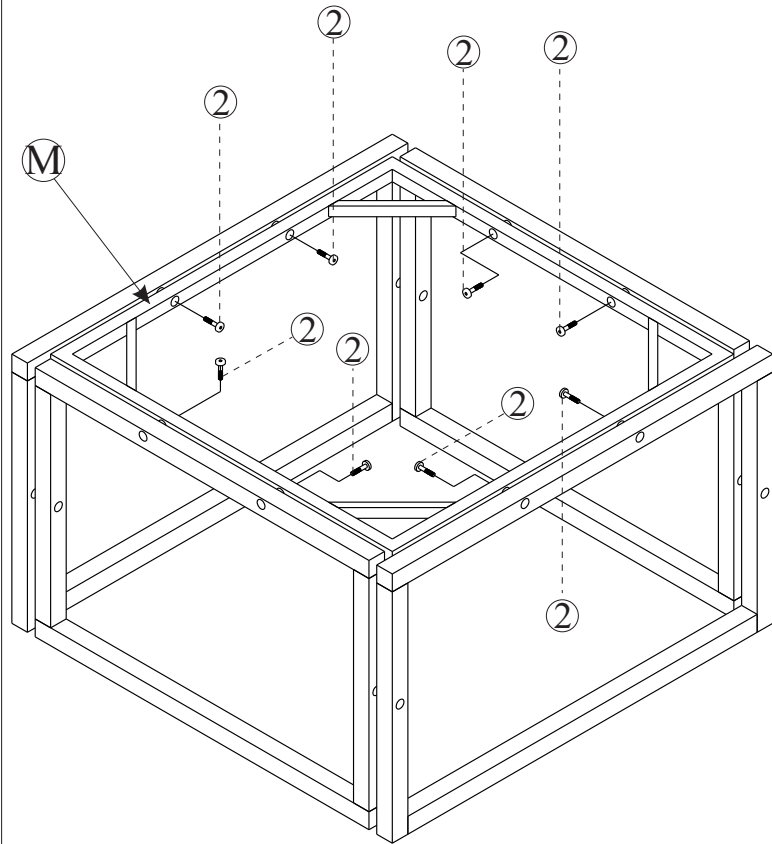
STEP 15

Connect part from STEP 20 & Long Table Frame (N) with Bolt (1)



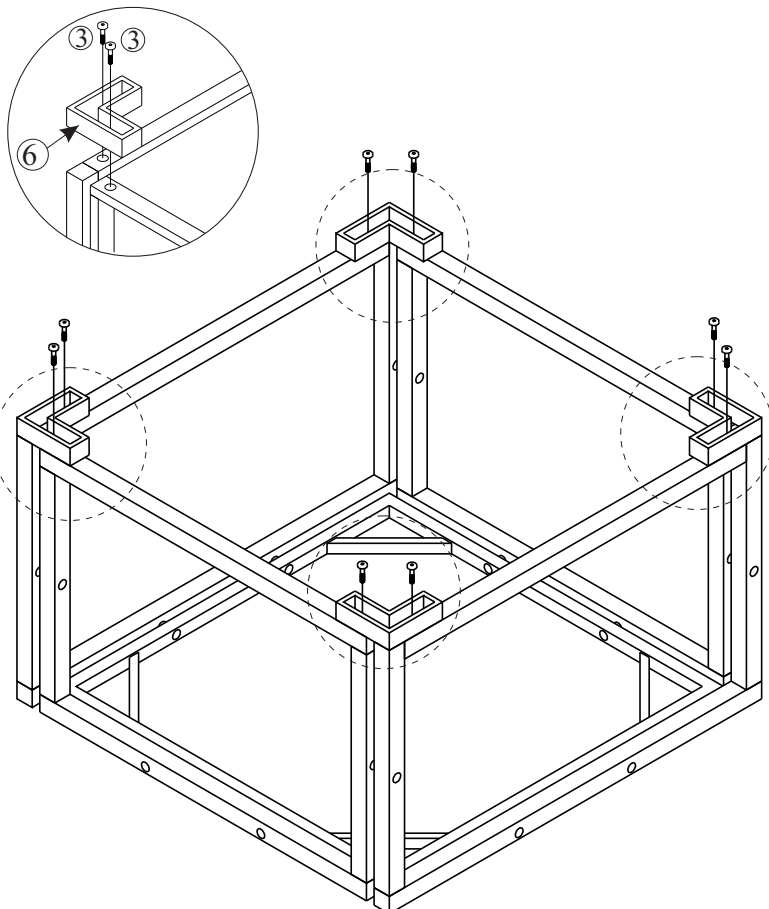
STEP 16

Connect part from STEP 21 & Table Top Frame (M) with Bolt (2)



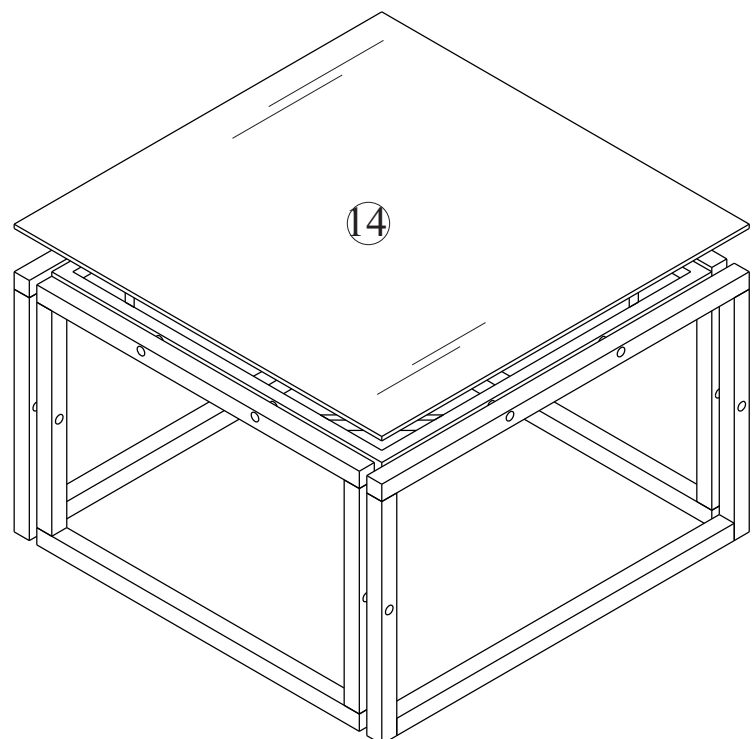
STEP 17

Overturn STEP 22, connect part from STEP 22 & Sofa Leg (6) with Bolt (3)



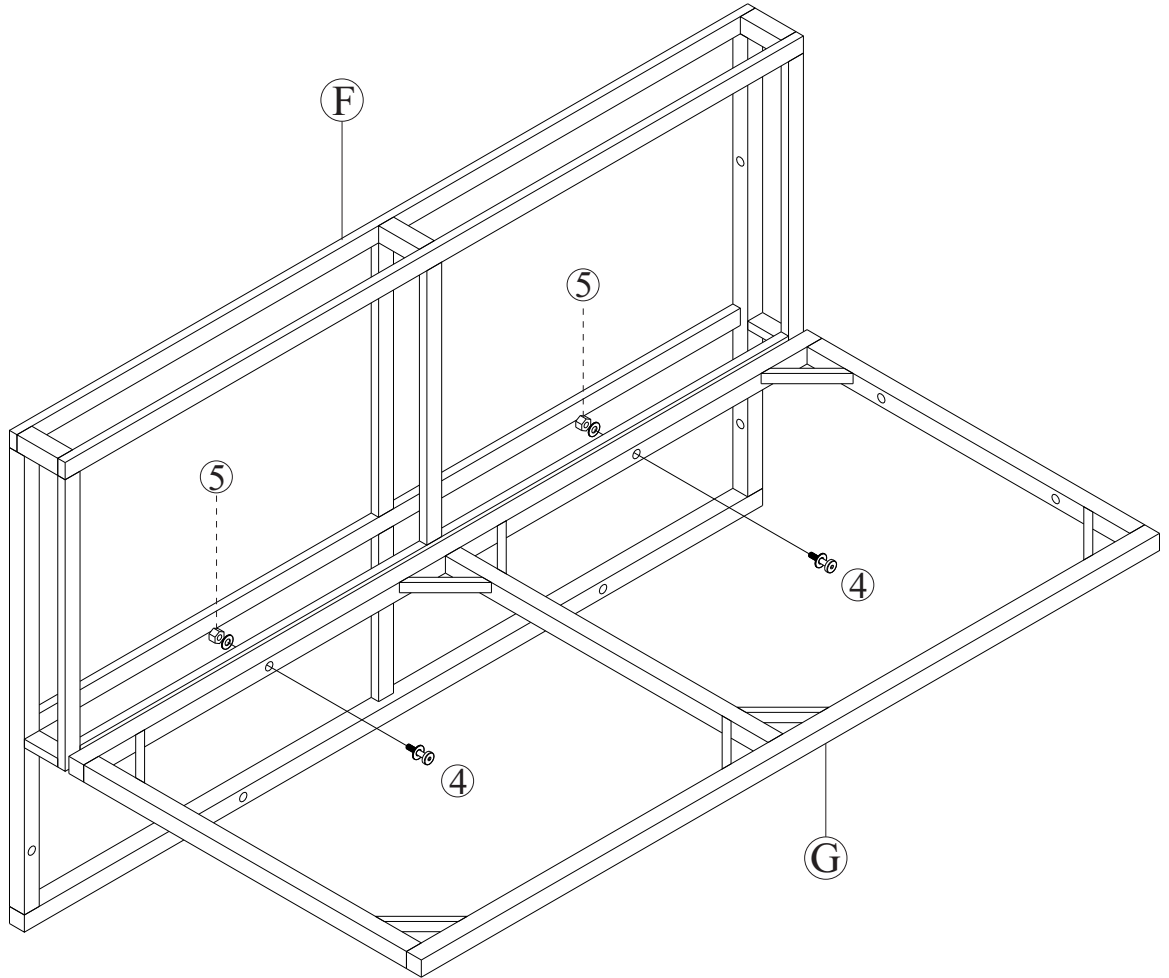
STEP 18

Put on Table Glass (14) to complete the table



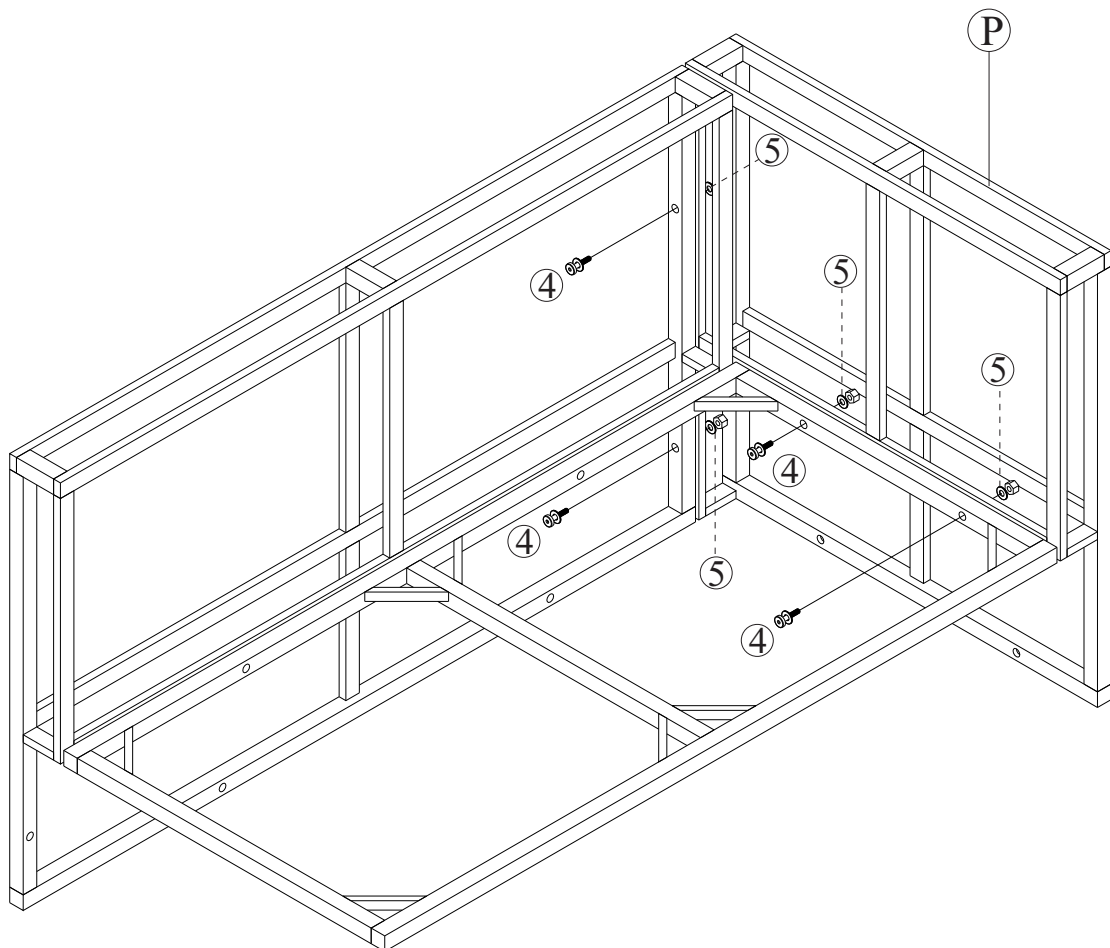
STEP 19

Connect Back Frame (F) & Seat Frame (G) with Bolt (4) & Nut M6 (5)



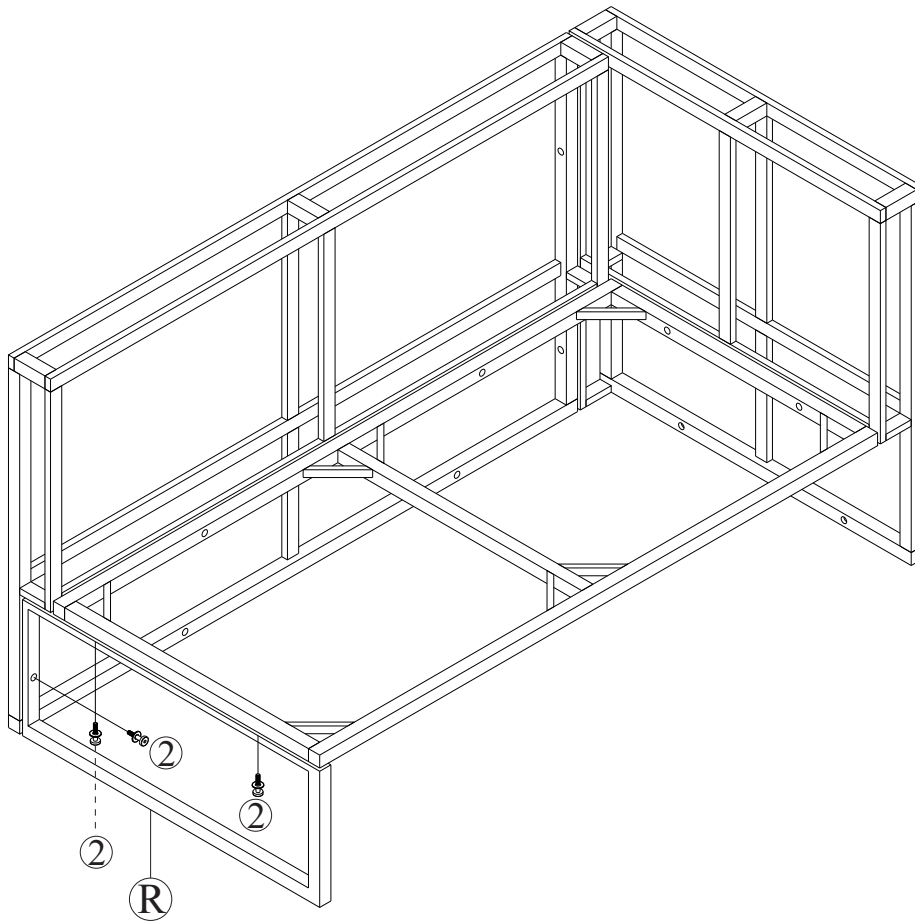
STEP 20

Connect part from STEP 19 & Left Frame (P) with Bolt (4) & Nut M6 (5)



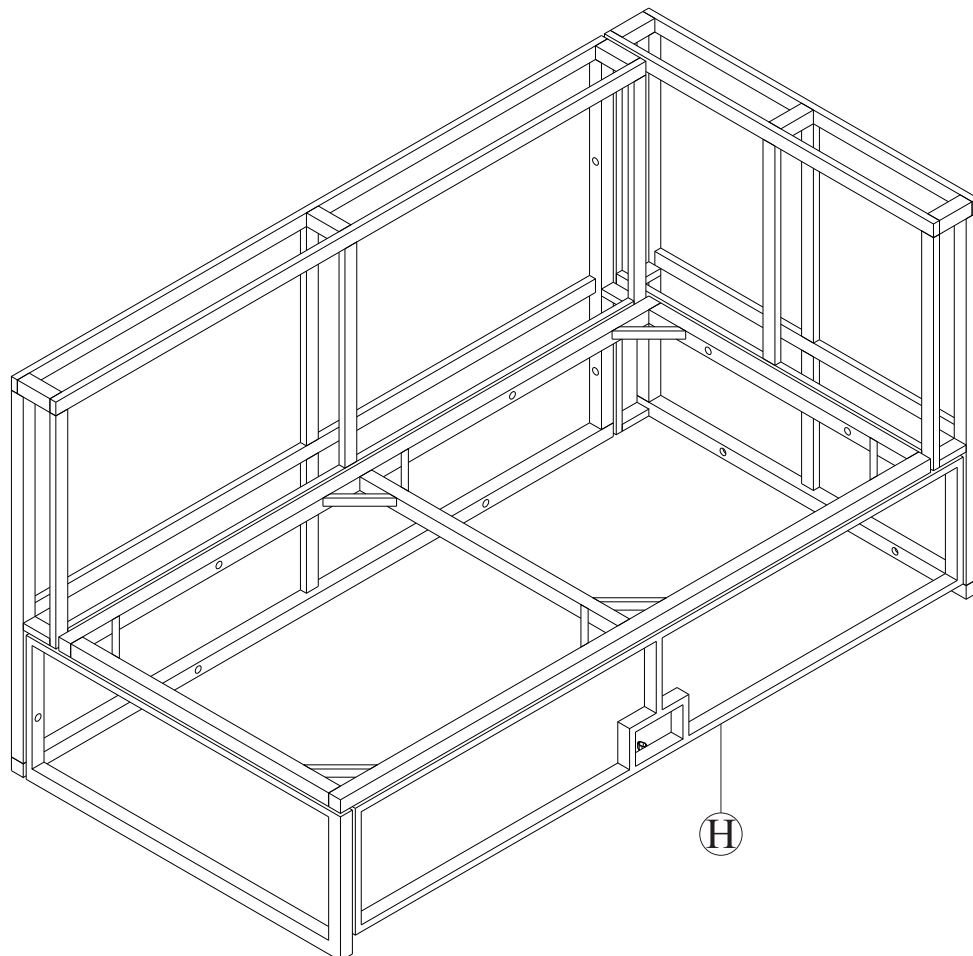
STEP 21

Connect part from STEP 20 & Side Frame (R) with Bolt (2)



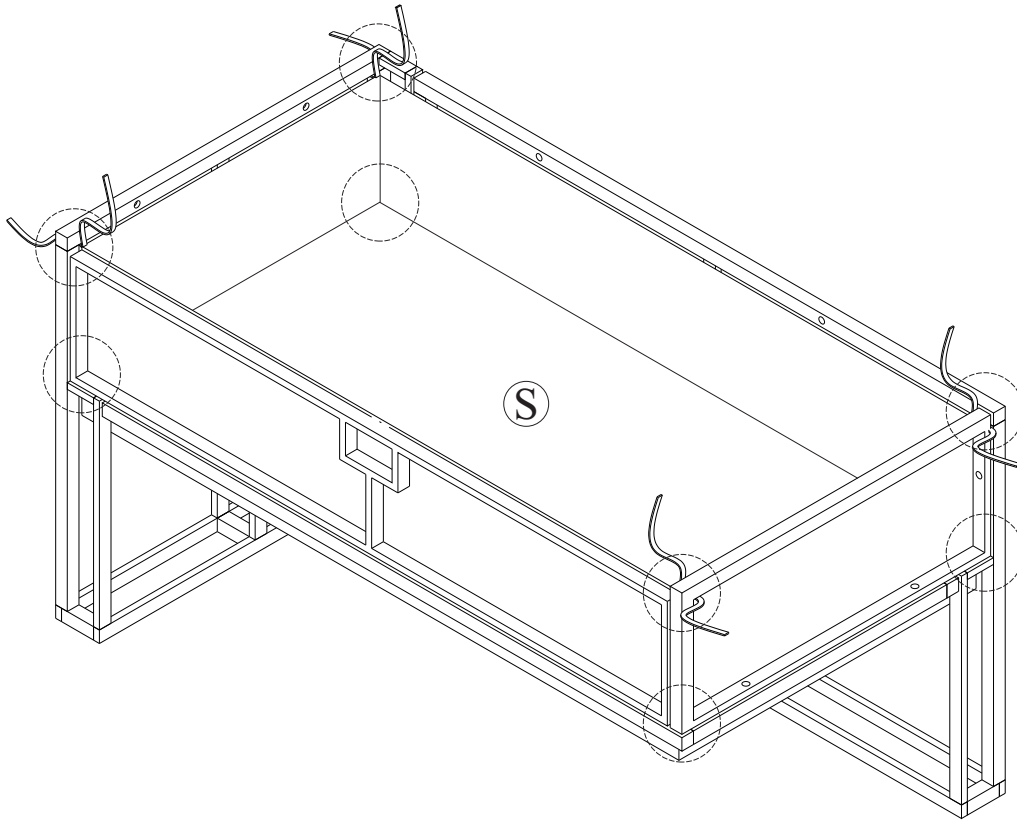
STEP 22

Connect part from STEP 21 & Lid Open Frame (H)



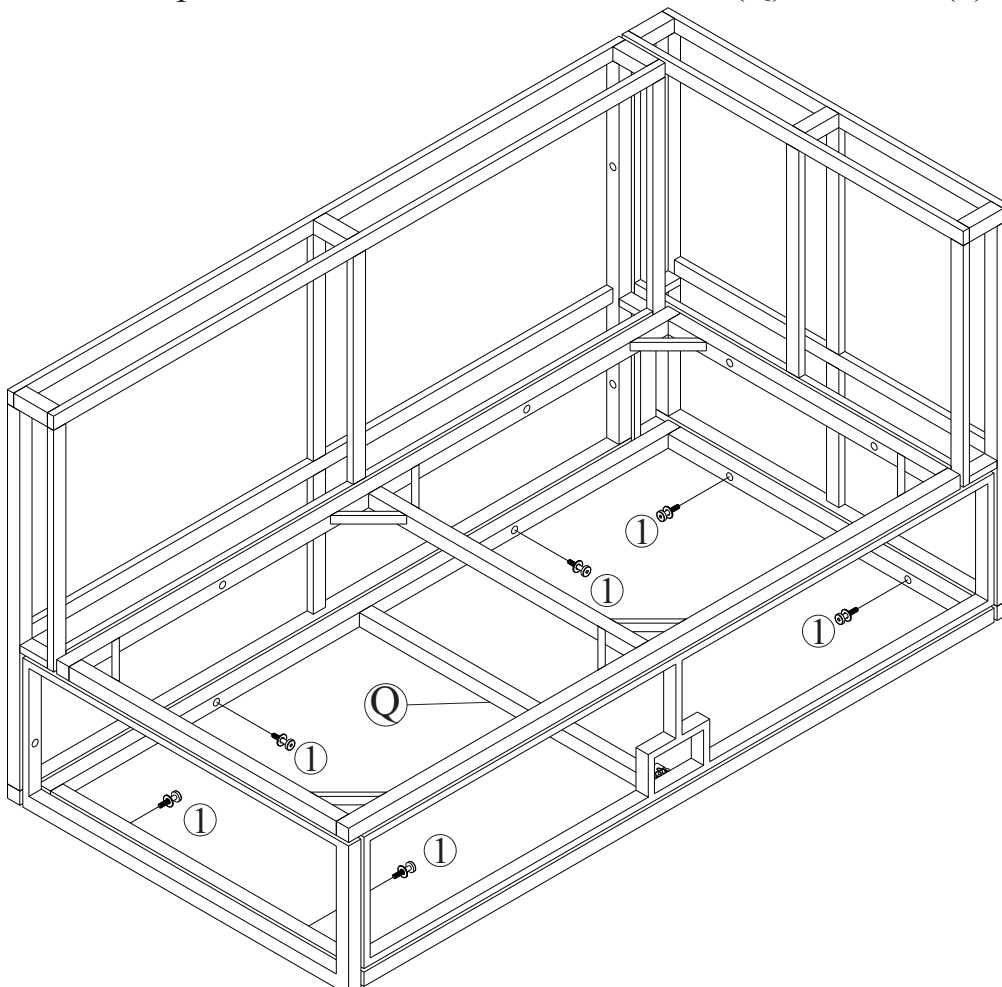
STEP 23

Connect part from STEP 22 & Rain Cover (S), tie the rope of rain cover with round hole



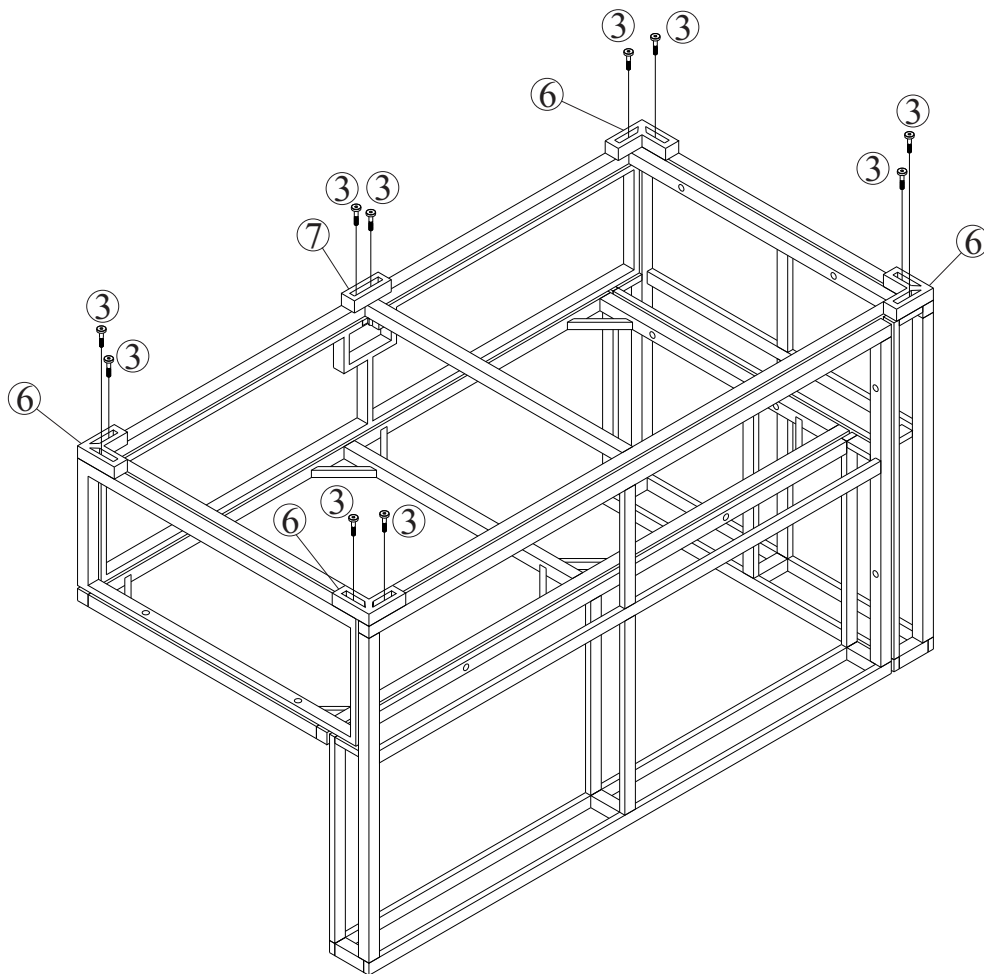
STEP 24

Connect part from STEP 23 & Bottom Frame (Q) with Bolt (1)



STEP 25

Connect part from STEP 24 & Sofa Leg (6), (7) with Bolt (3)



STEP 26

Put on Back Cushion (11), Bench Cushion (9) & Pillow (15) to complete bench sofa

