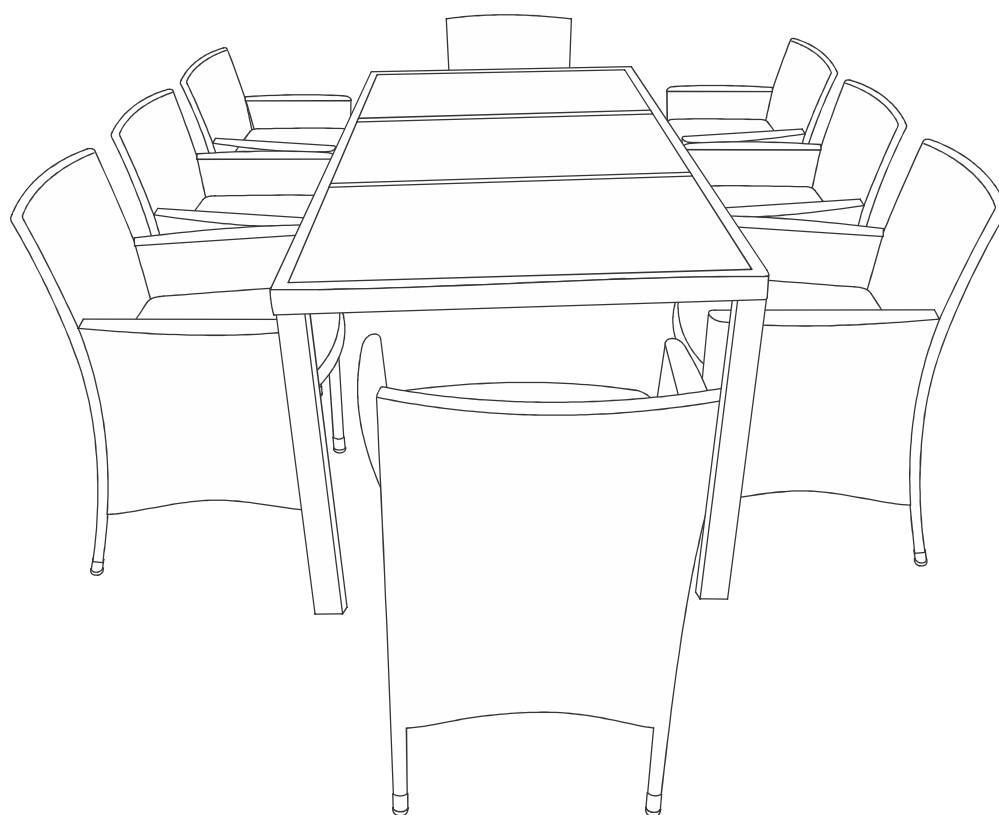


# ASSEMBLY MANUAL

---

*Lyfco*®



**SKU 166-1-2**

**MODEL NAME: LYSEKIL**

**Konsumentkontakt  
Arc E-commerce AB  
Box 3124  
13603 Haninge**

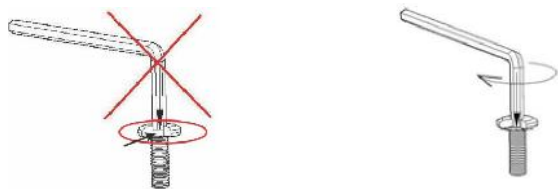
**Attention!** Please note that at first all screws should be inserted slightly by hand! Turn 2-3 times so that the screw grips on its own and connects all elements loosely. The screws must only be driven in tightly when all elements are connected with each other in this way. Otherwise the setup won't be possible. Only by driving them in tightly afterwards, small deviations of the borehole or the welded joints, which always occur with handcrafted products, can be compensated.

**Notes on an optimized assembly:**

Before you completely tighten the screws, check carefully all the screws and tighten them (only) to the extent that the product remains (especially chairs or loungers) still under load. If you are sure that your product can withstand load, place it on a solid, level ground and put some weight on it, please carefully and always with cushions. The various components can then align with each other. Then tighten completely the screws. Thus you achieve an optimal alignment of the product and prevent wobbling. Don't sit, find

**Your new product was made by hand. Slightly irregularities are rather seen as a quality attribute than as a reason for complaints.**

**Tip: Always fully insert the hex key inside designated notch of screw.**



If you don't do that and slip out of the screw, the screw will suffer damage and it can cause the screw head to become round inside you won't be able to find grip with the hex key anymore!



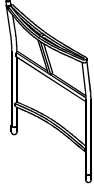
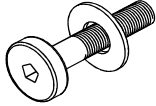

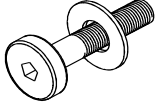
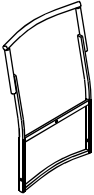
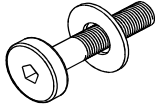
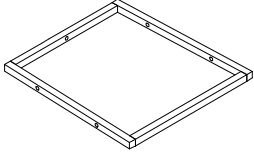
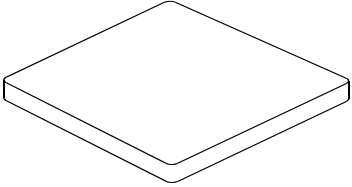
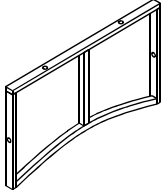
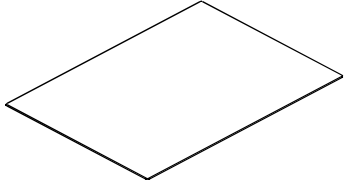


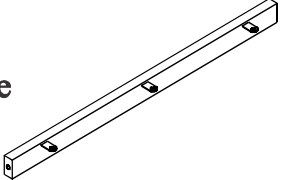
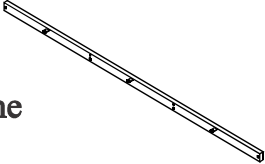
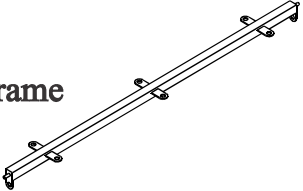
**DON'T'S**

Don't use this product if parts are missing, damaged or worn down.

Don't use any electronic tools to set up these products. The high energy of these electronic tools will cause screw overtightening and therefore they won't grip.

Don't overtighten screws or bolts. Only tighten the screws entirely after the product is completely set up. You shouldn't sit or stand on it.

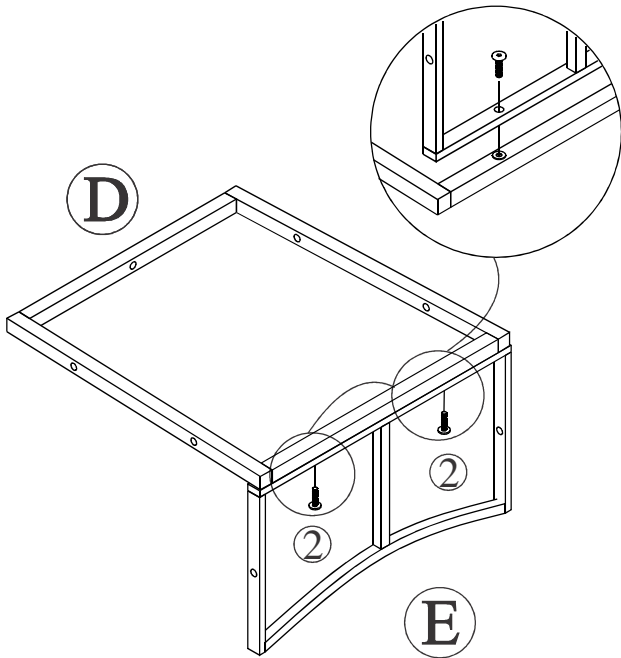
Don't let your product stand in the rain. Protect it from weather impacts. In times of freeze and over the winter, we suggest you to store the product in a covered dry place.

<u>Component</u>			<u>Hardware</u>		
<b>A</b>	<b>Right Frame</b>	 8 pcs	<b>1</b>	 M6 x 40	44 pcs
<b>B</b>	<b>Left Frame</b>	 8 pcs	<b>2</b>	 M6 x 30	48 pcs
<b>C</b>	<b>Chair Back Frame</b>	 8 pcs	<b>3</b>	 M6 x 15	12 pcs
<b>D</b>	<b>Chair Seat</b>	 8 pcs	<b>4</b>	 Chair Cushion	8 pcs
<b>E</b>	<b>Chair Front Panel</b>	 8 pcs	<b>5</b>	 Table Glass	3 pcs
<b>F</b>	<b>Table Leg</b>	 4 pcs	<b>6</b>	 Allen Key	1 pcs
<b>G</b>	<b>Short Table Top Frame</b>	 2 pcs			
<b>H</b>	<b>Long Table Top Frame</b>	 2 pcs			
<b>I</b>	<b>Midle Table Top Frame</b>	 2 pcs			

# ASSEMBLY THE SINGLE CHAIR

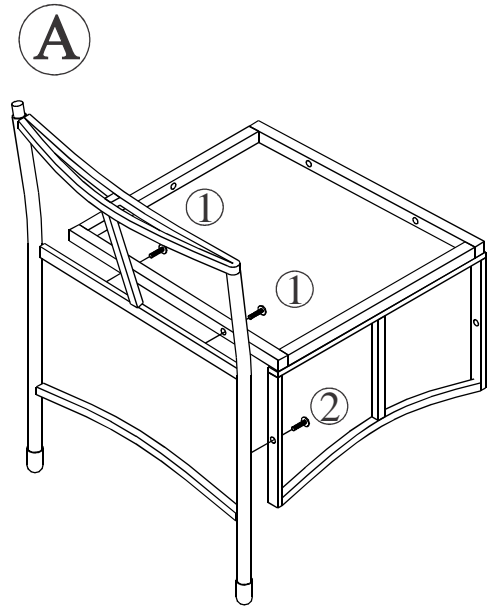
## STEP 1

Connect Chair Seat (D) & Chair Front Panel (E) with Bolt (2)



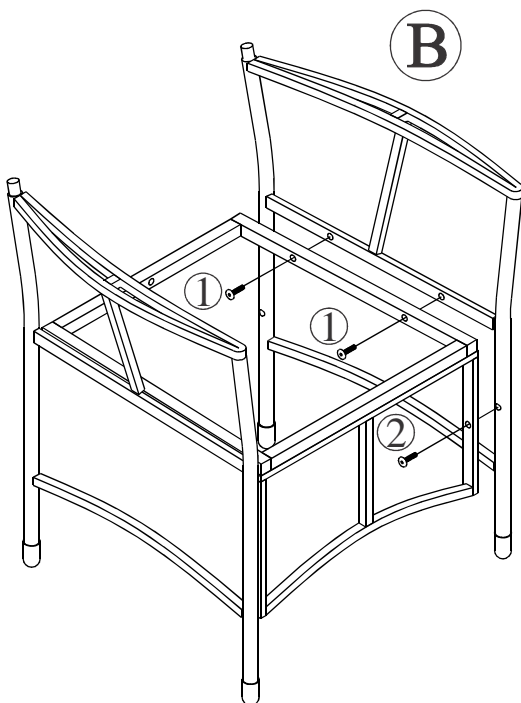
## STEP 2

Connect the part from STEP 1 & Right Frame (A) with Bolt (1) & (2)



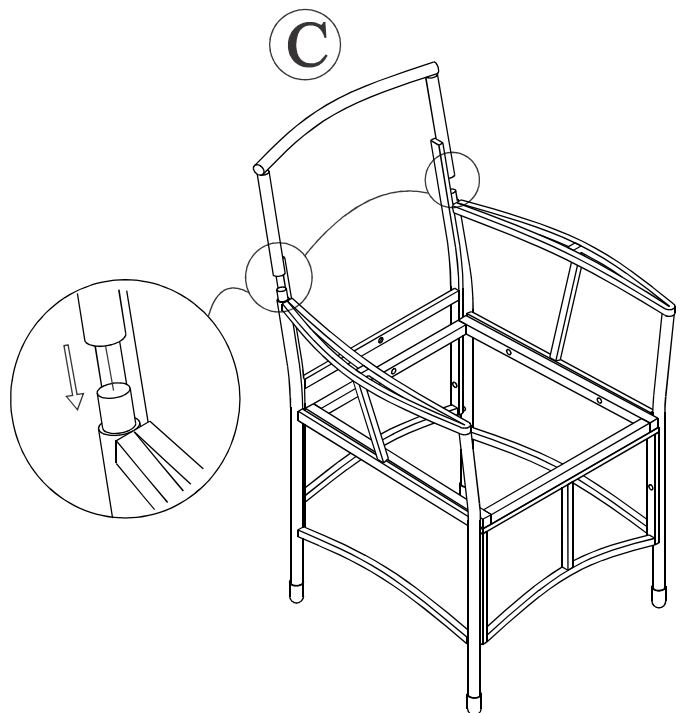
## STEP 3

Connect The Part From STEP 2 & Left Frame (B) with Bolt (1) & (2)



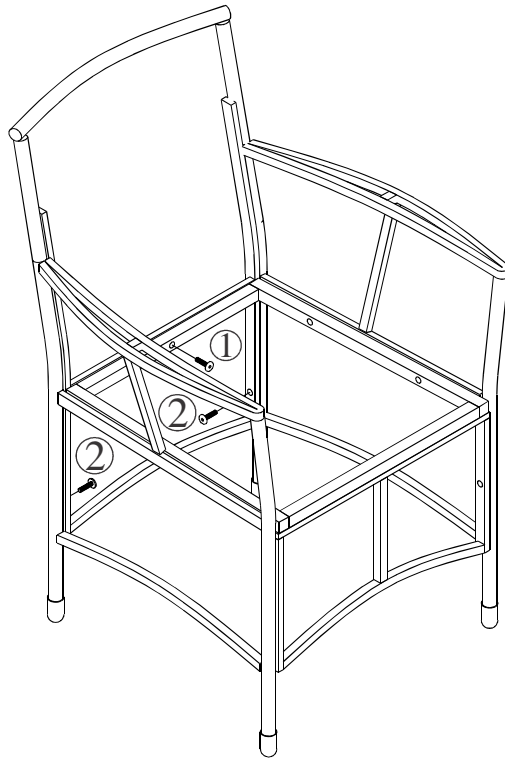
## STEP 4

Connect The Part From STEP 3 & Chair Back Frame (C)



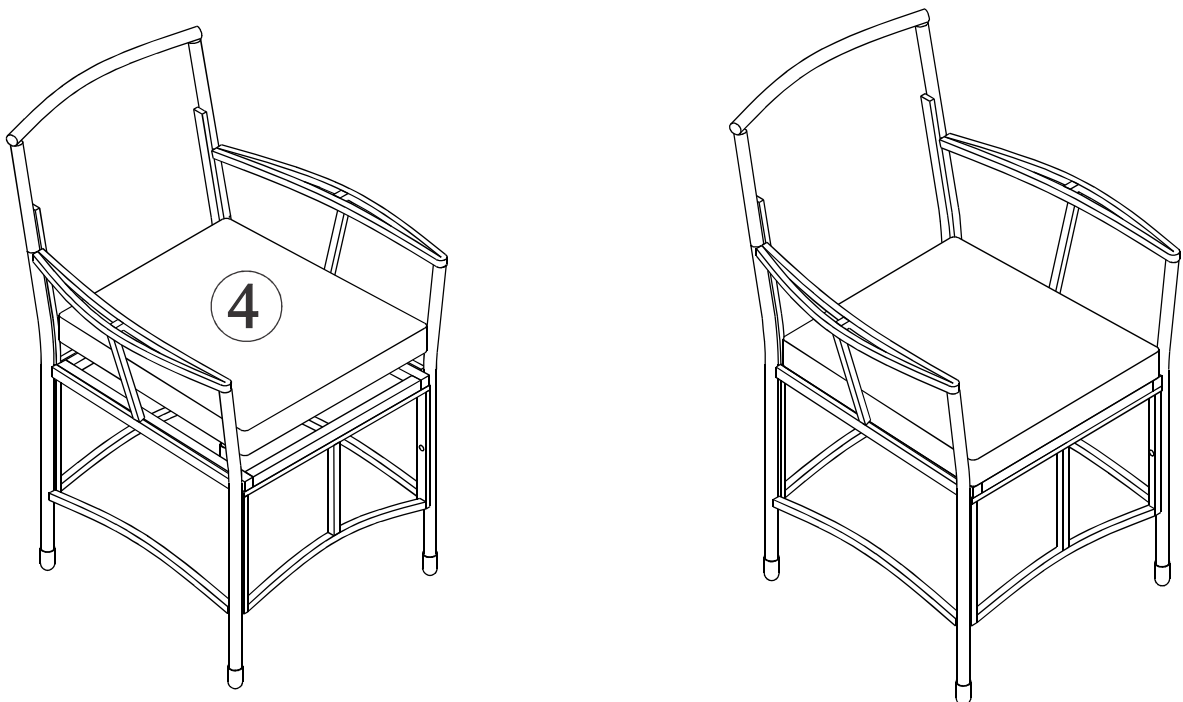
### STEP 5

Connect The Part From STEP 4 with Bolt (1) & (2)



### STEP 6

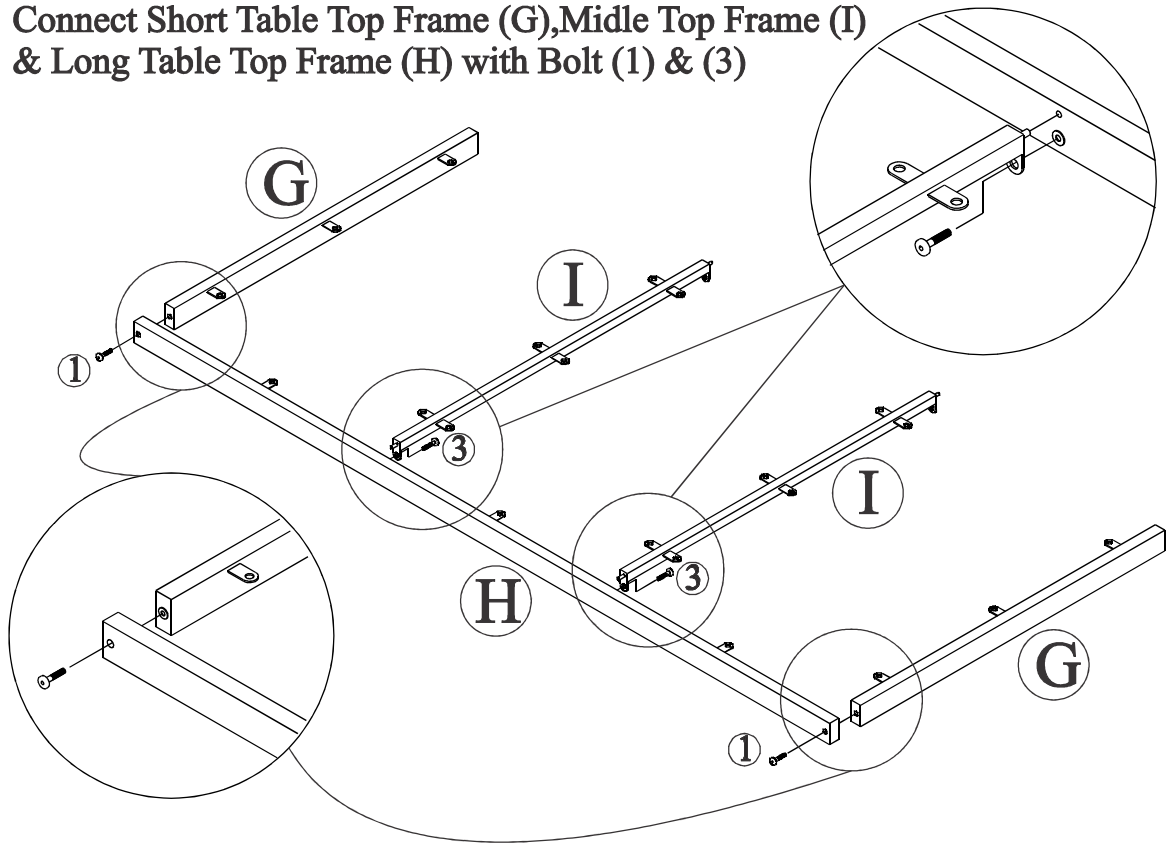
Put On Chair Cushion (4) to Complete the single Seat Chair



# ASSEMBLY THE TABLE

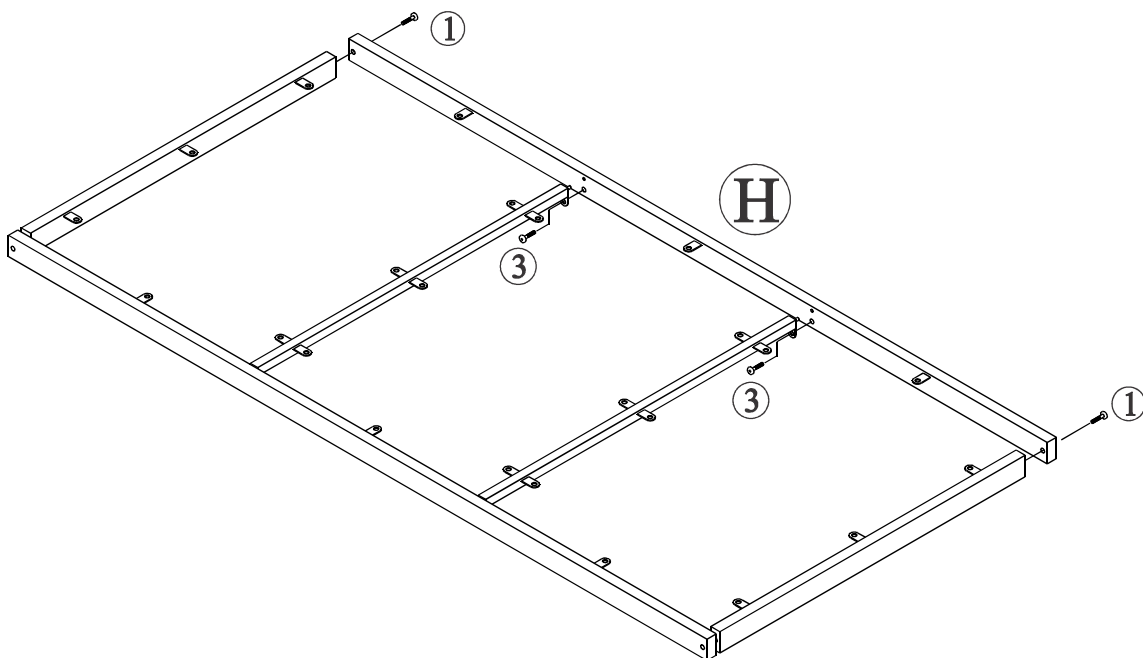
## STEP 7

Connect Short Table Top Frame (G), Middle Top Frame (I) & Long Table Top Frame (H) with Bolt (1) & (3)



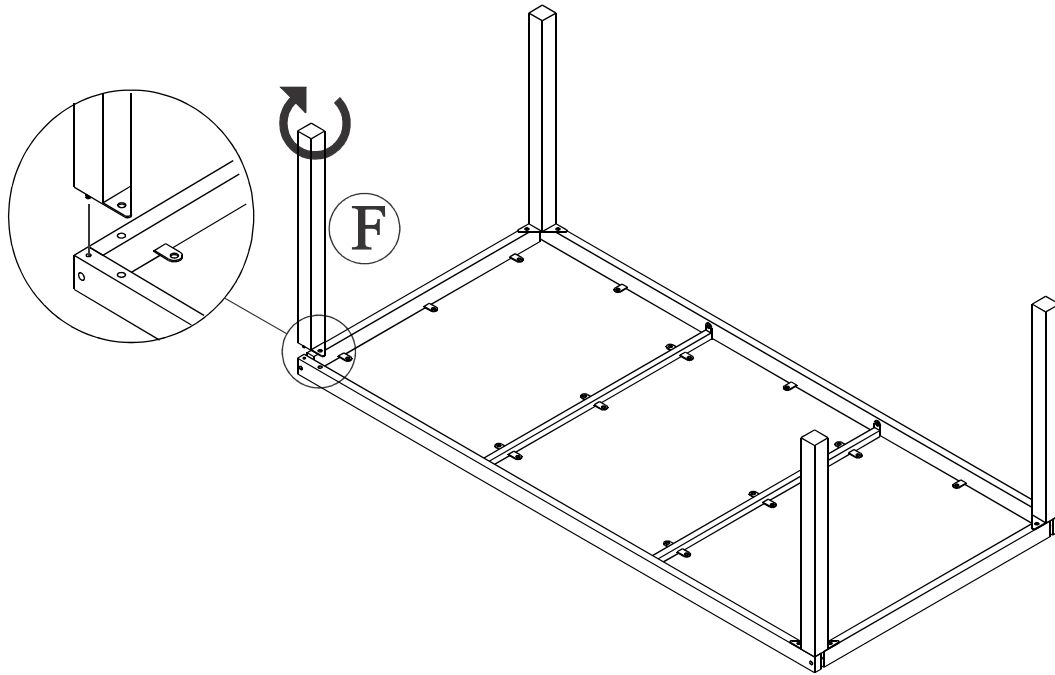
## STEP 8

Connect The part from STEP 7 & Long Table Top (H) with Bolt (1) & (3)



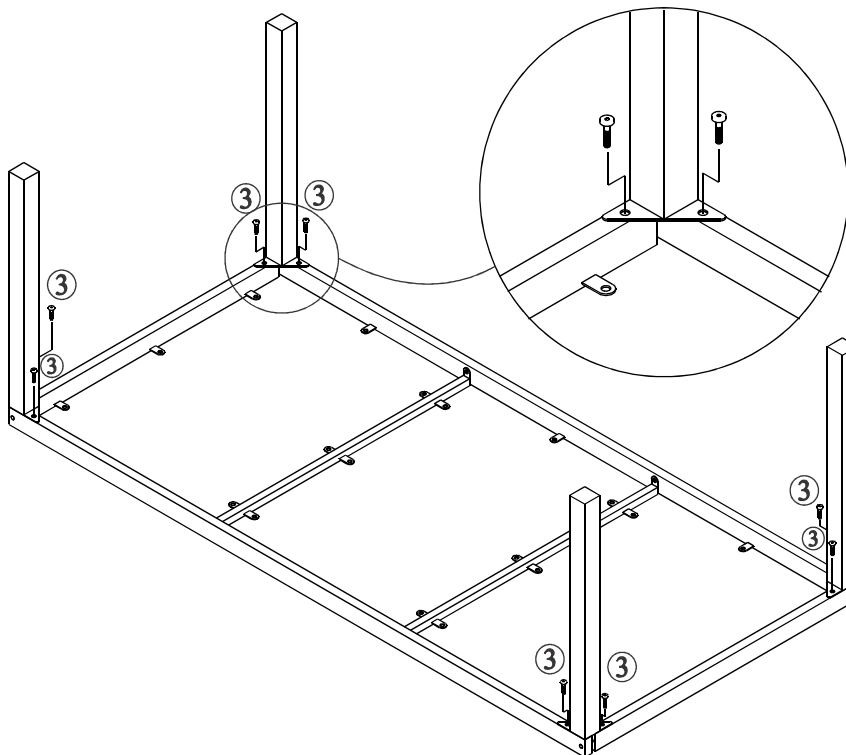
## STEP 9

Connect The Part from STEP 8, Table Leg (F) & tighten Table Leg (F) with STEP 8



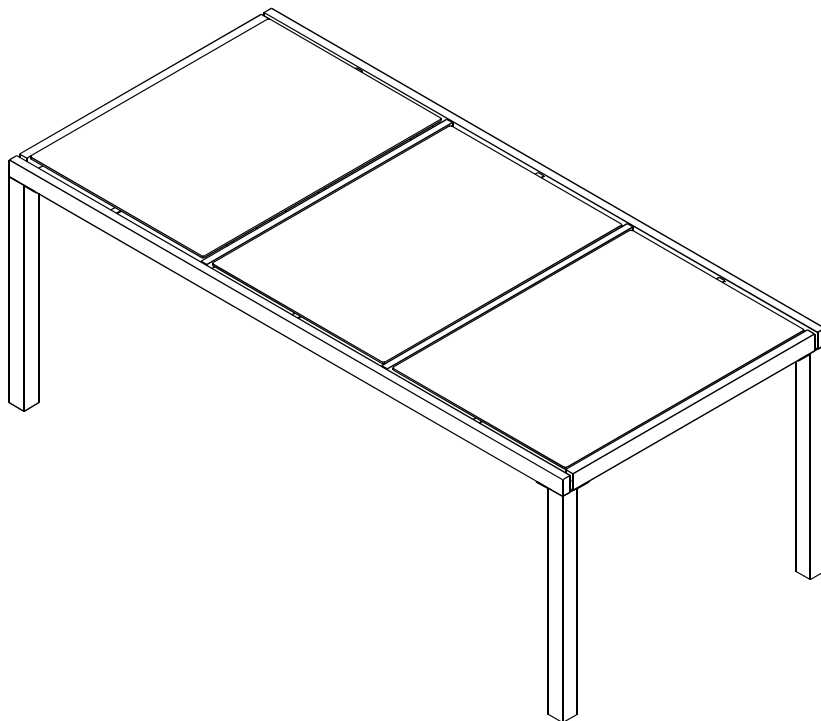
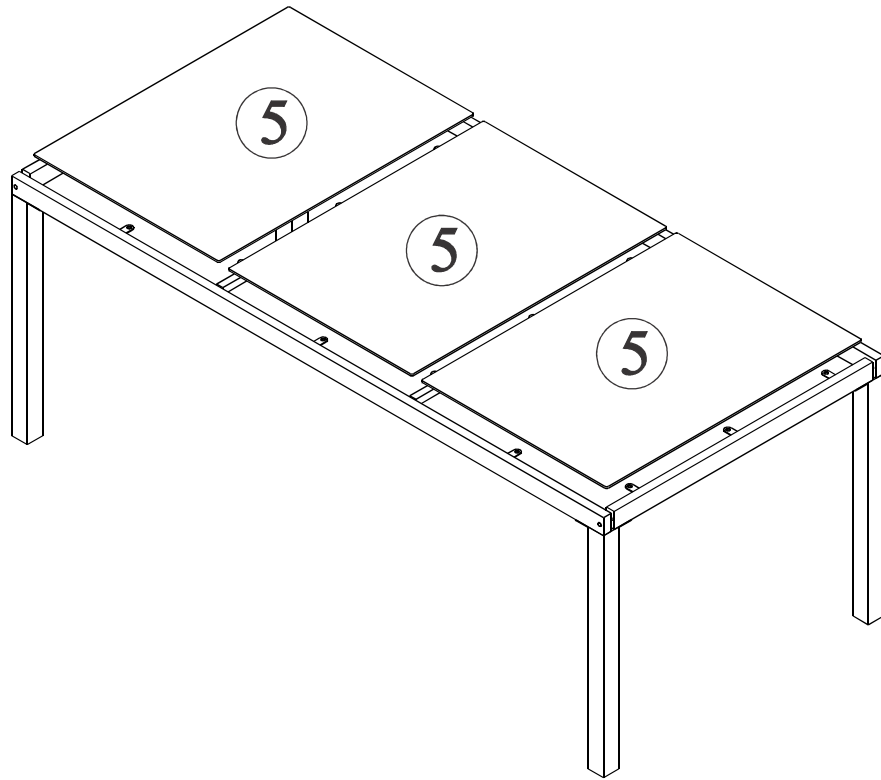
## STEP 10

Connect the part from STEP 9 with Bolt (3)



## STEP 11

Put on Table Glass (5) to finish the Table



**FINISH**