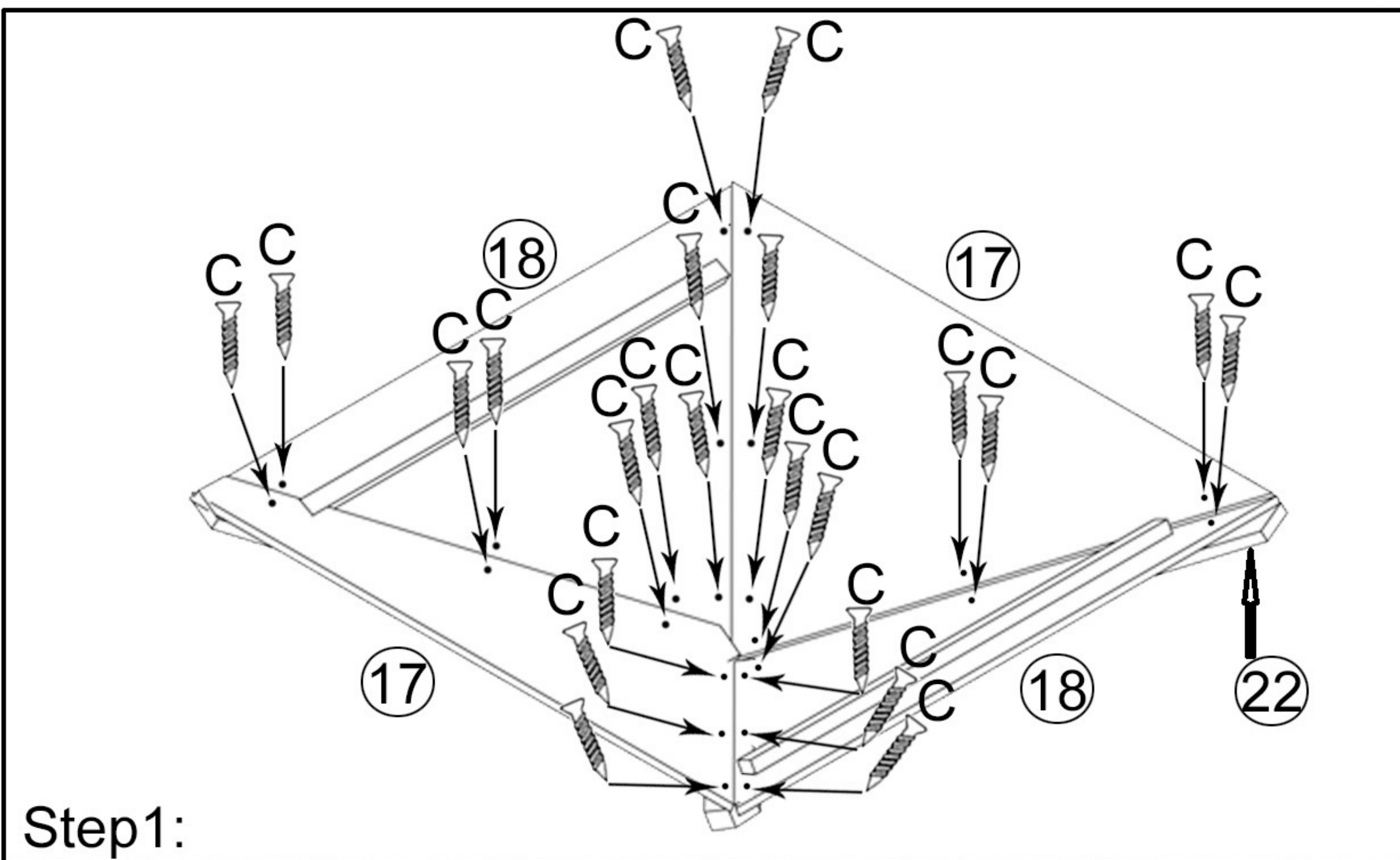
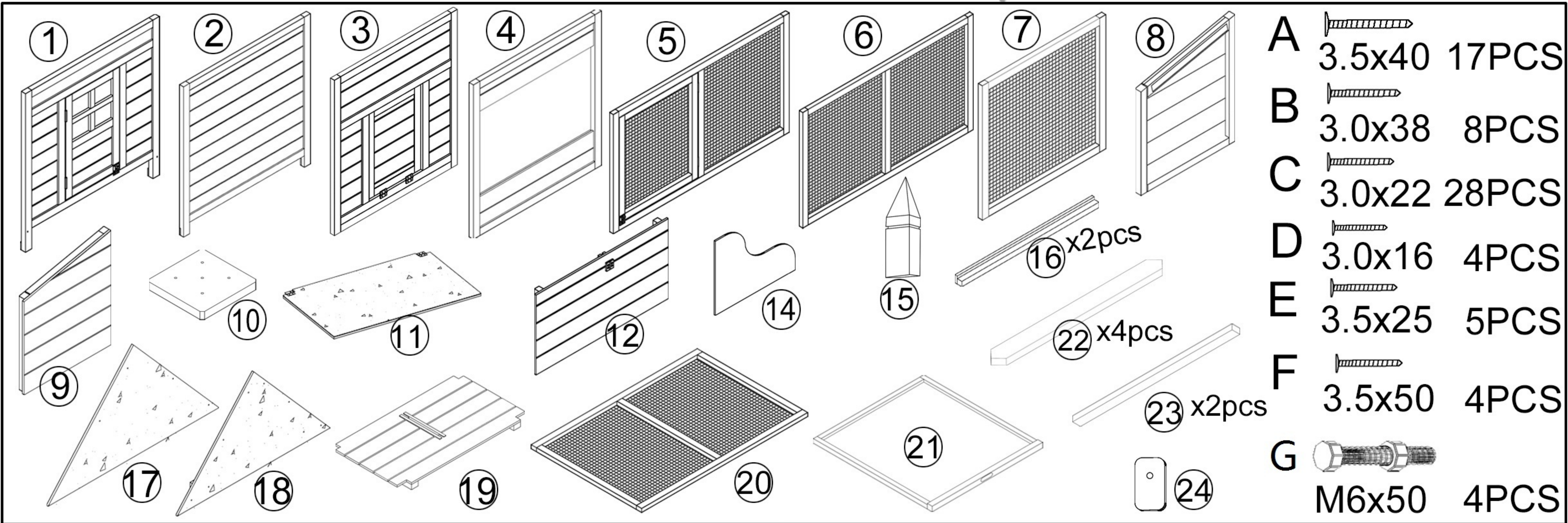
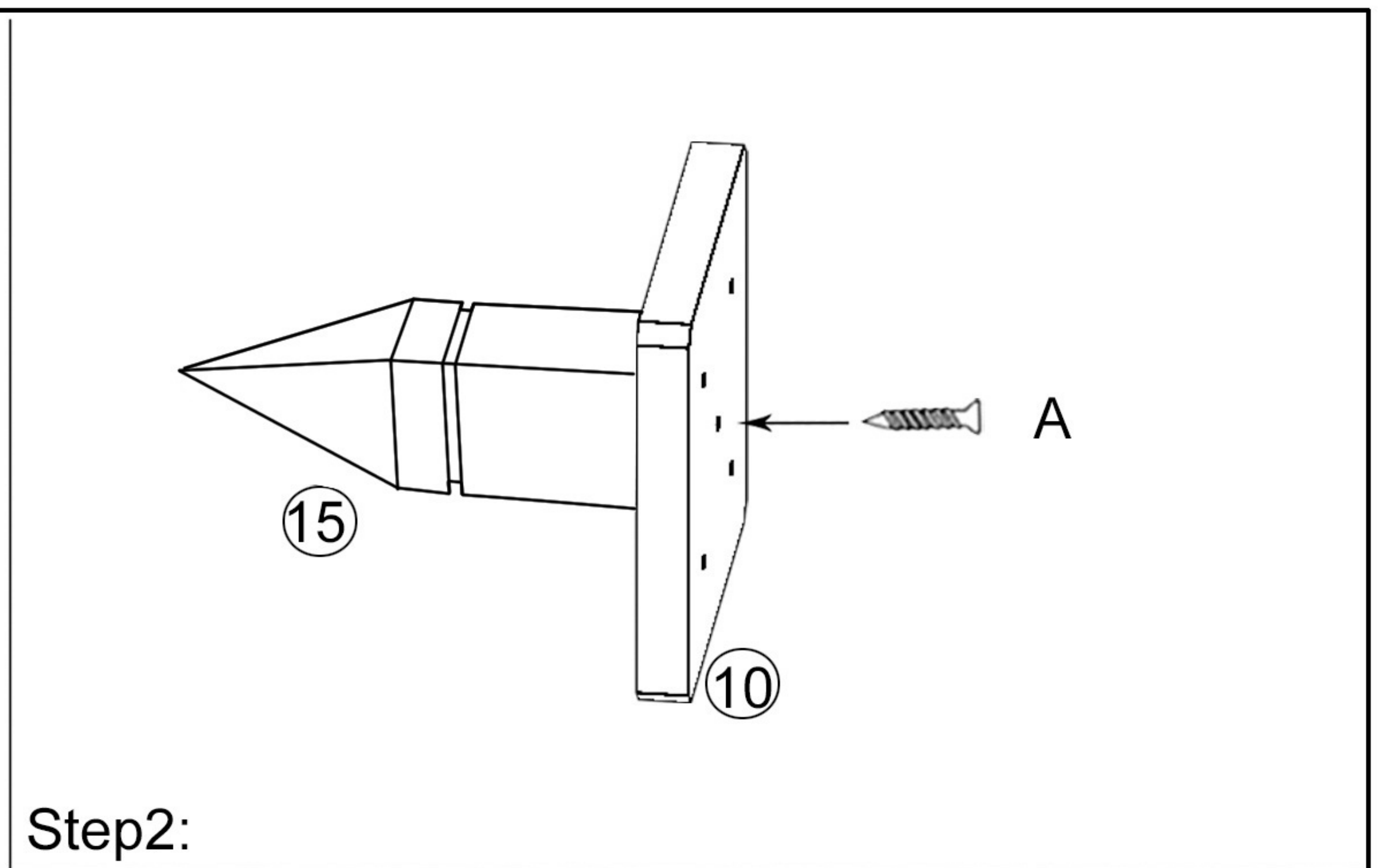


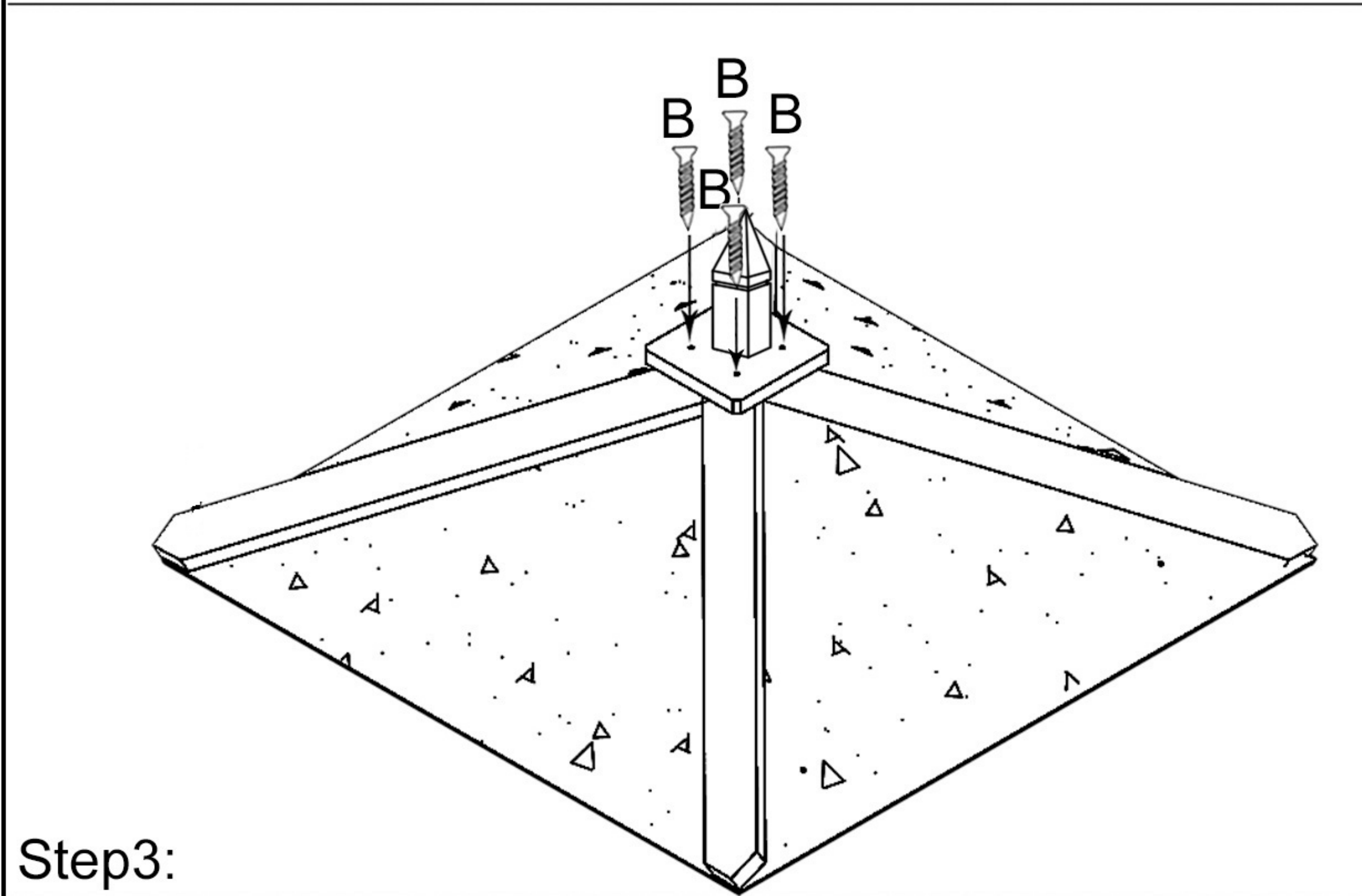
Assembly Instructions



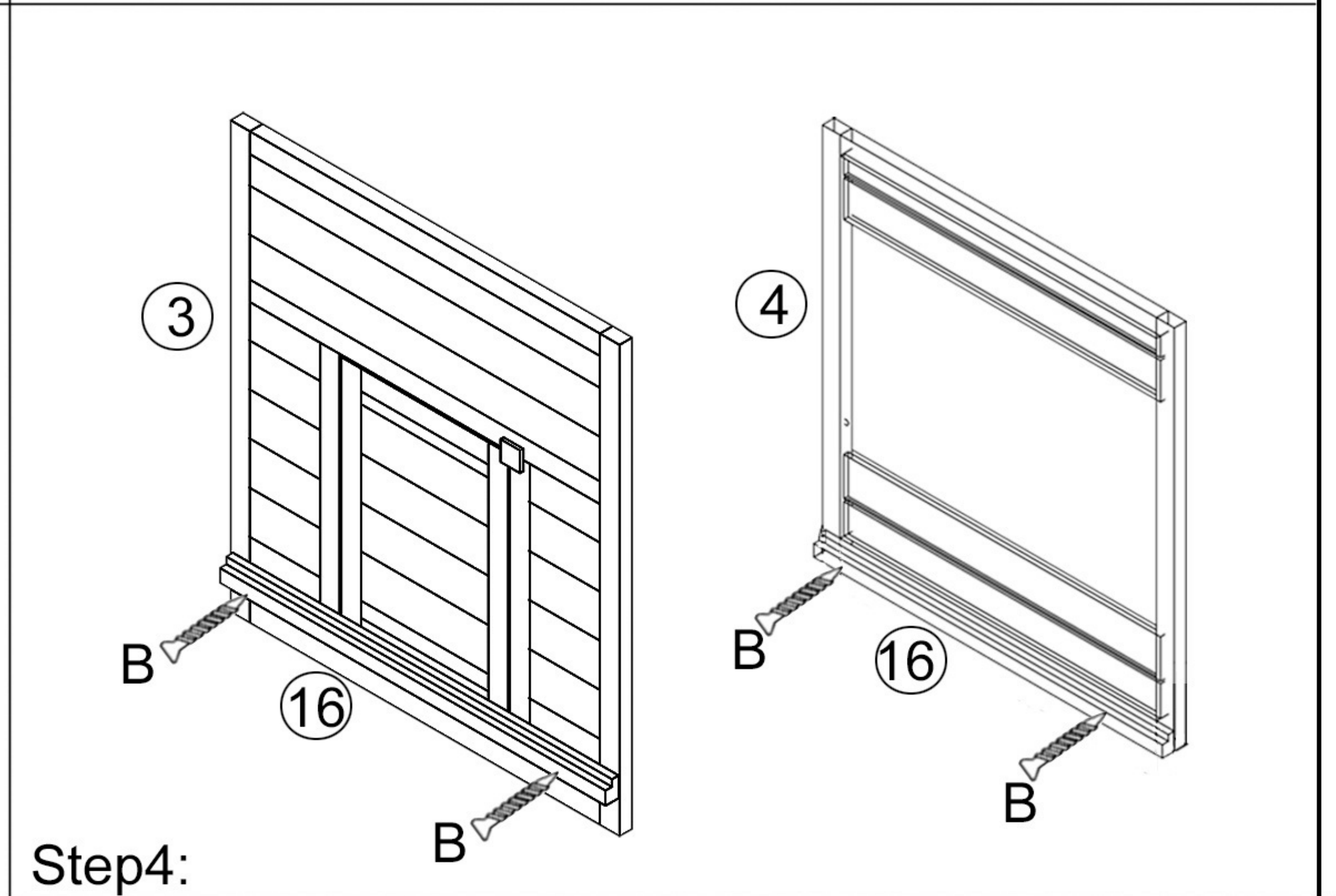
Step1:



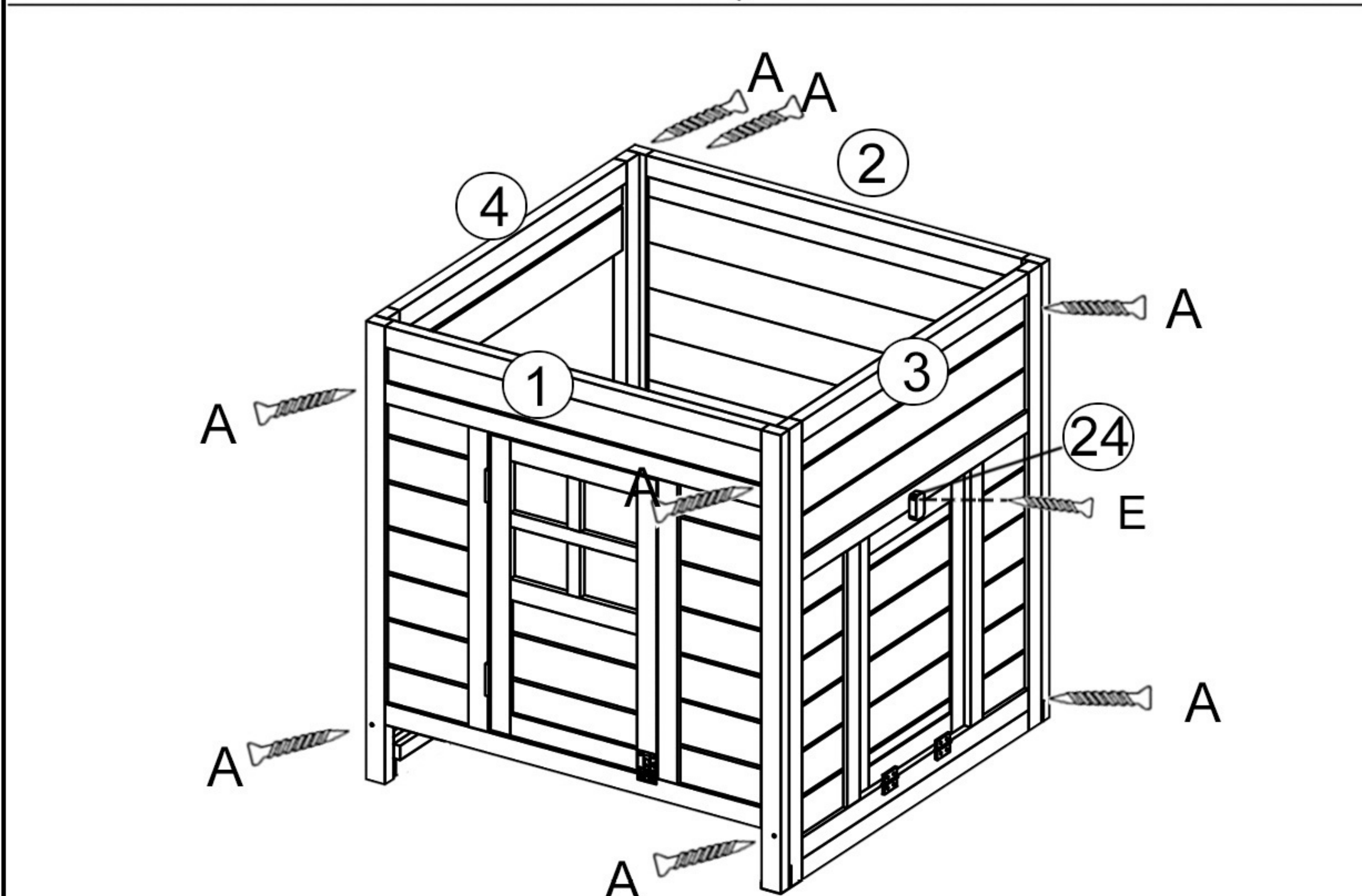
Step2:



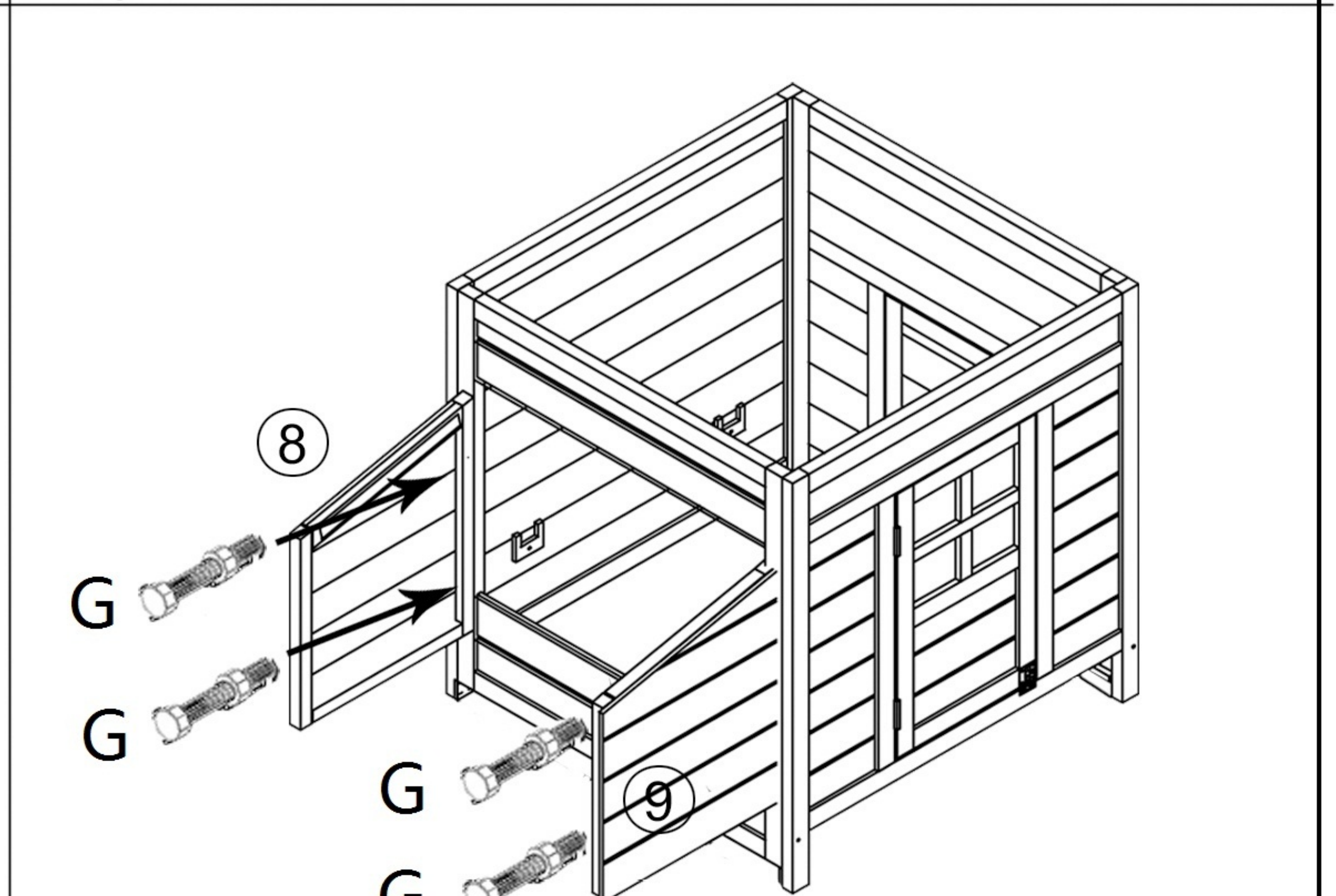
Step3:



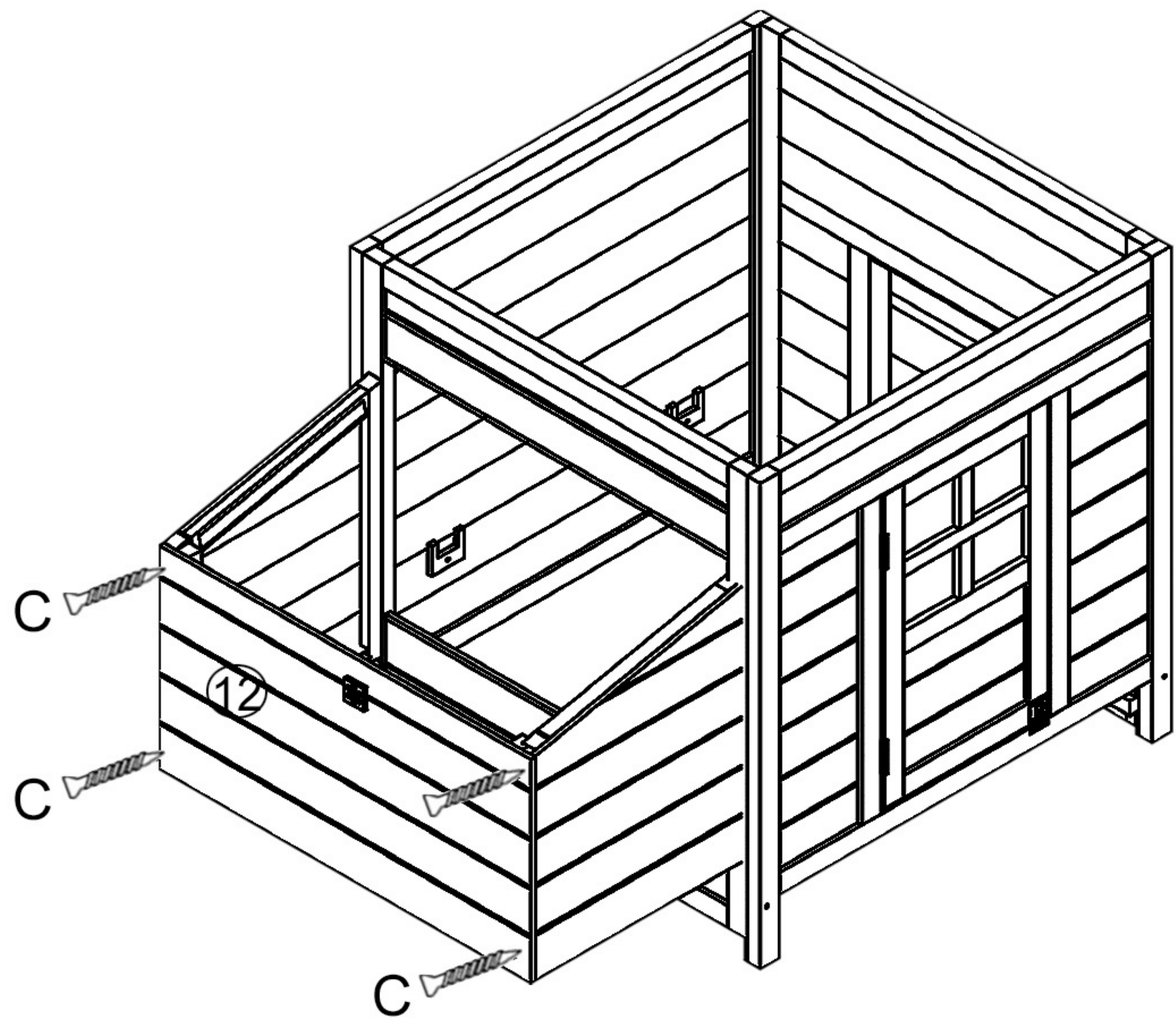
Step4:



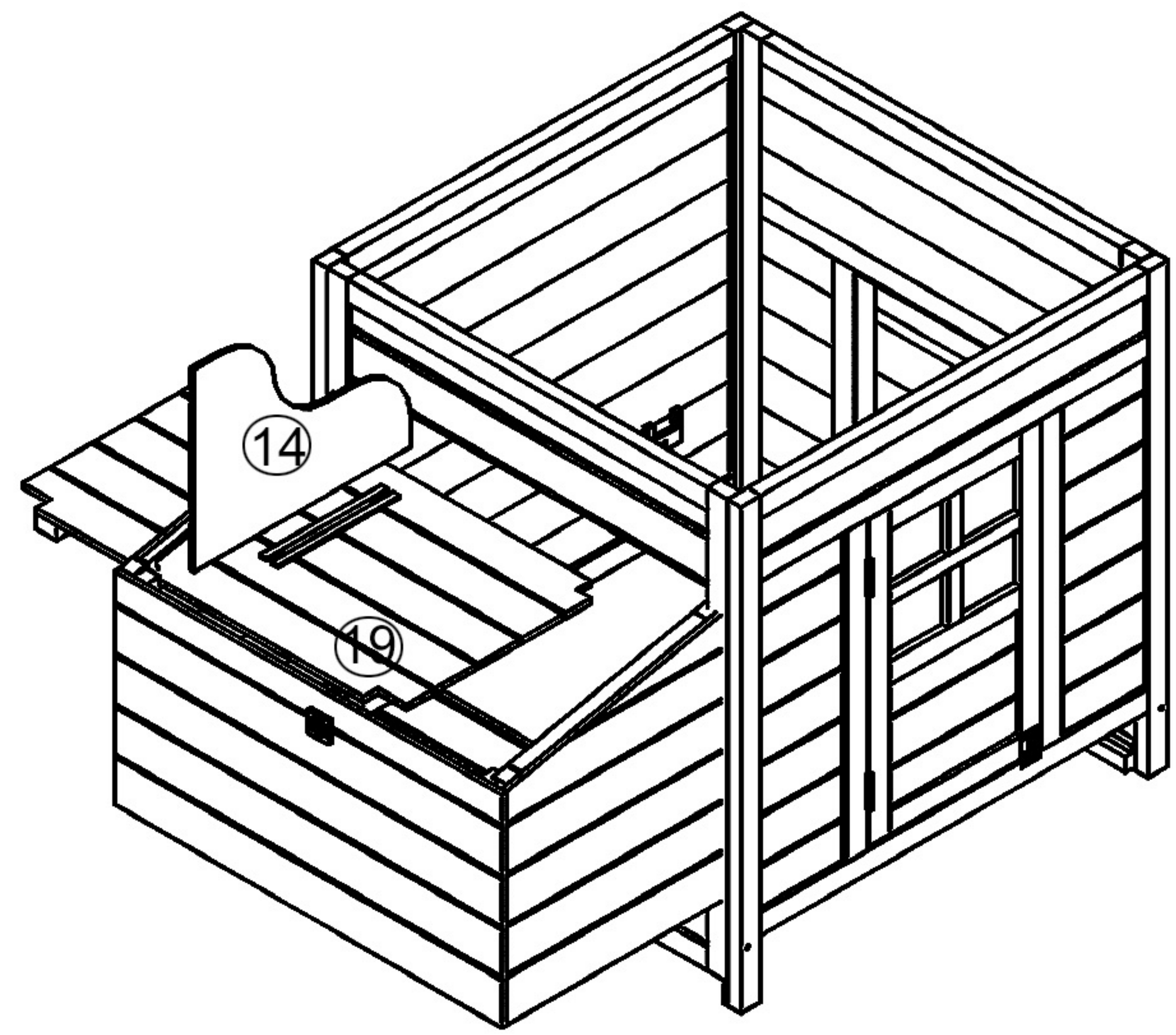
Step5:



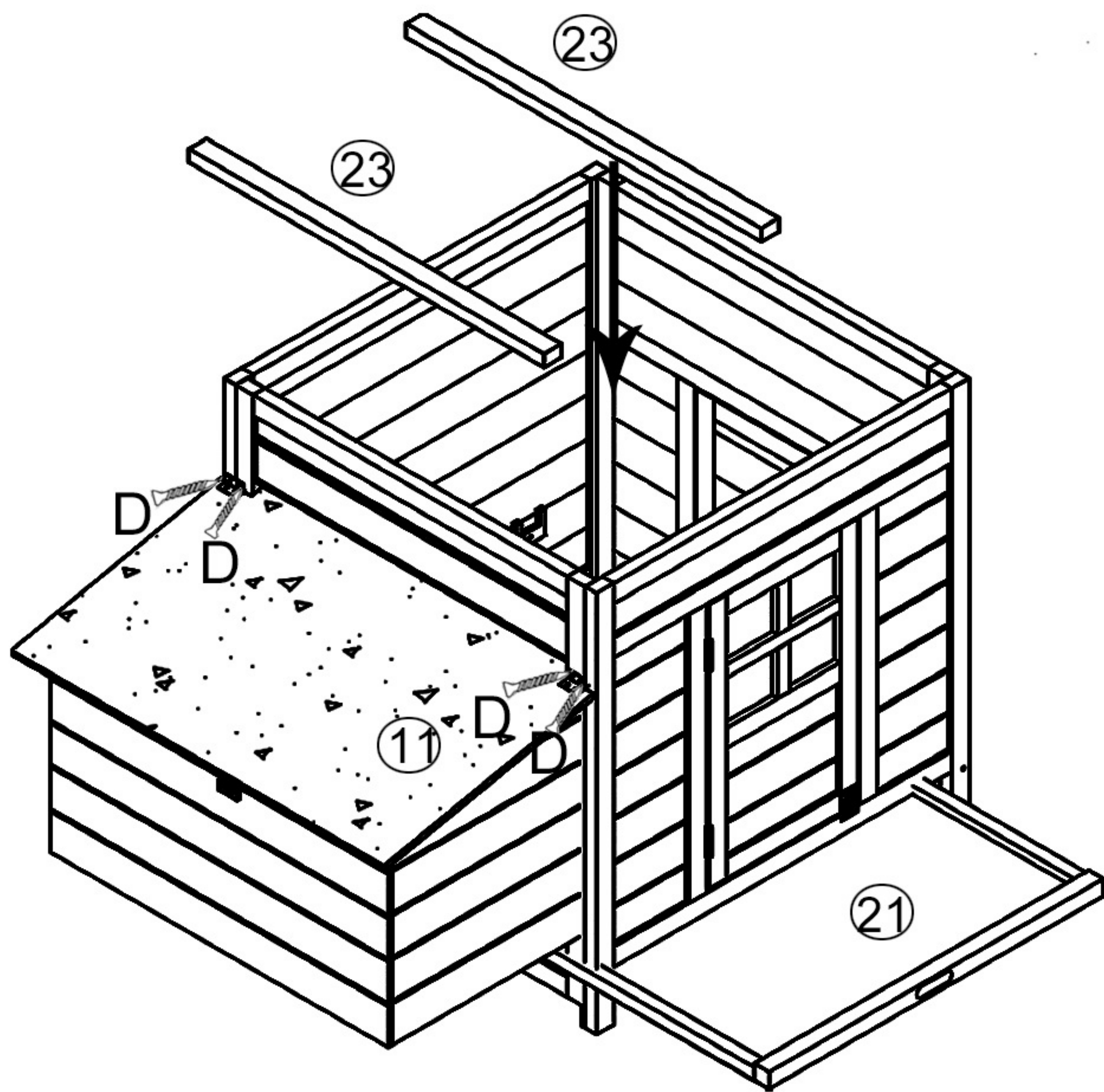
Step6:



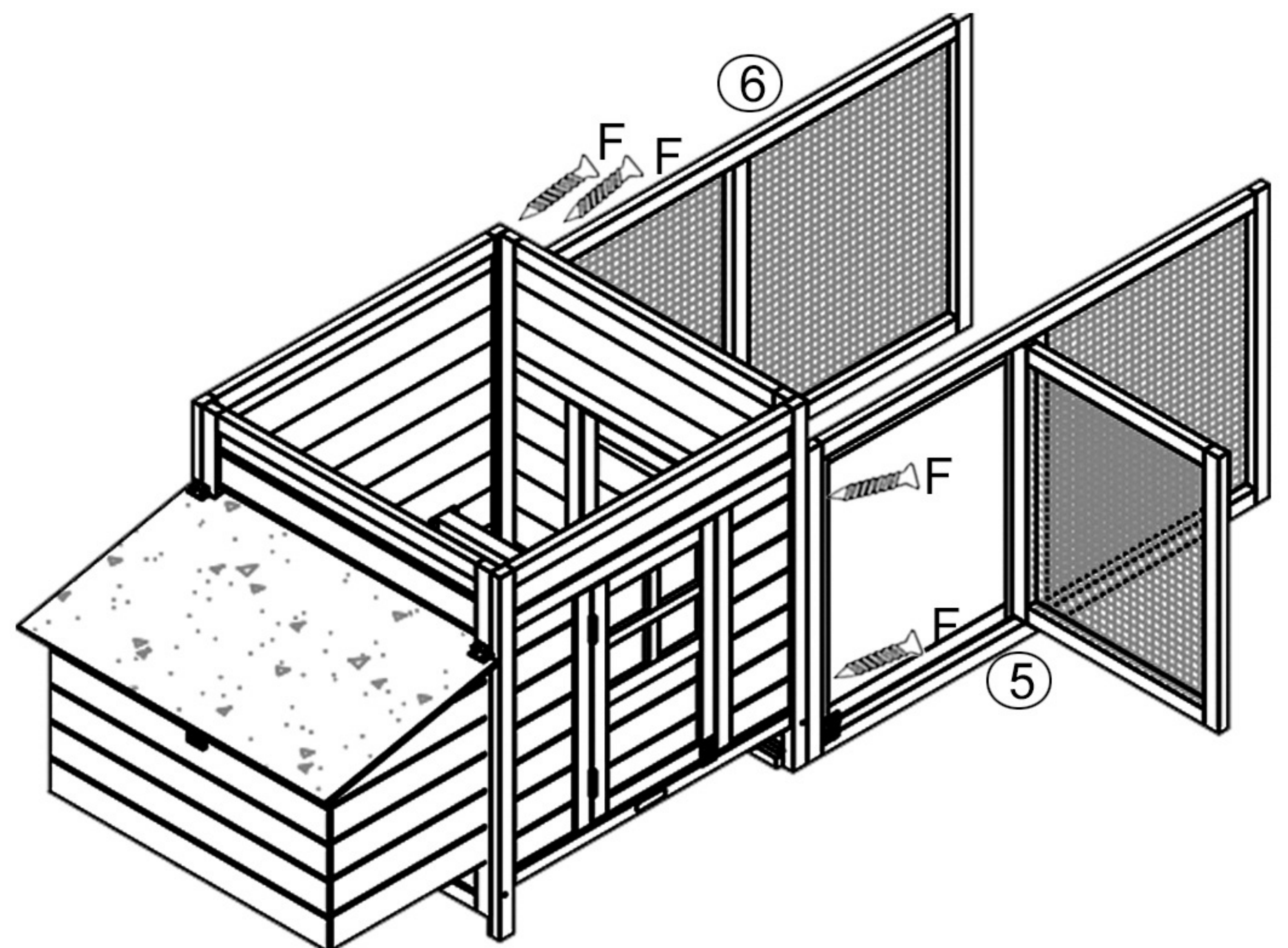
Step7:



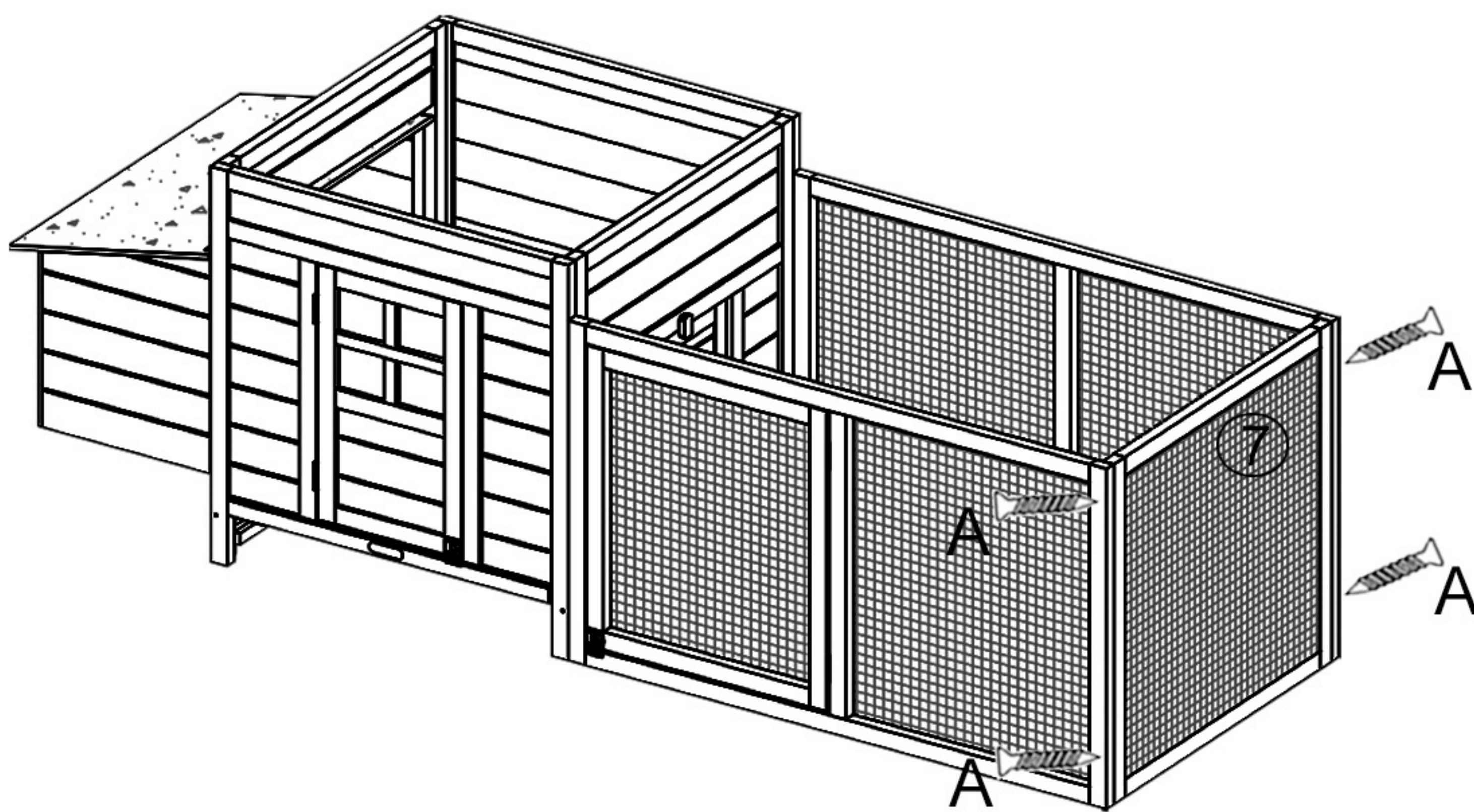
Step8:



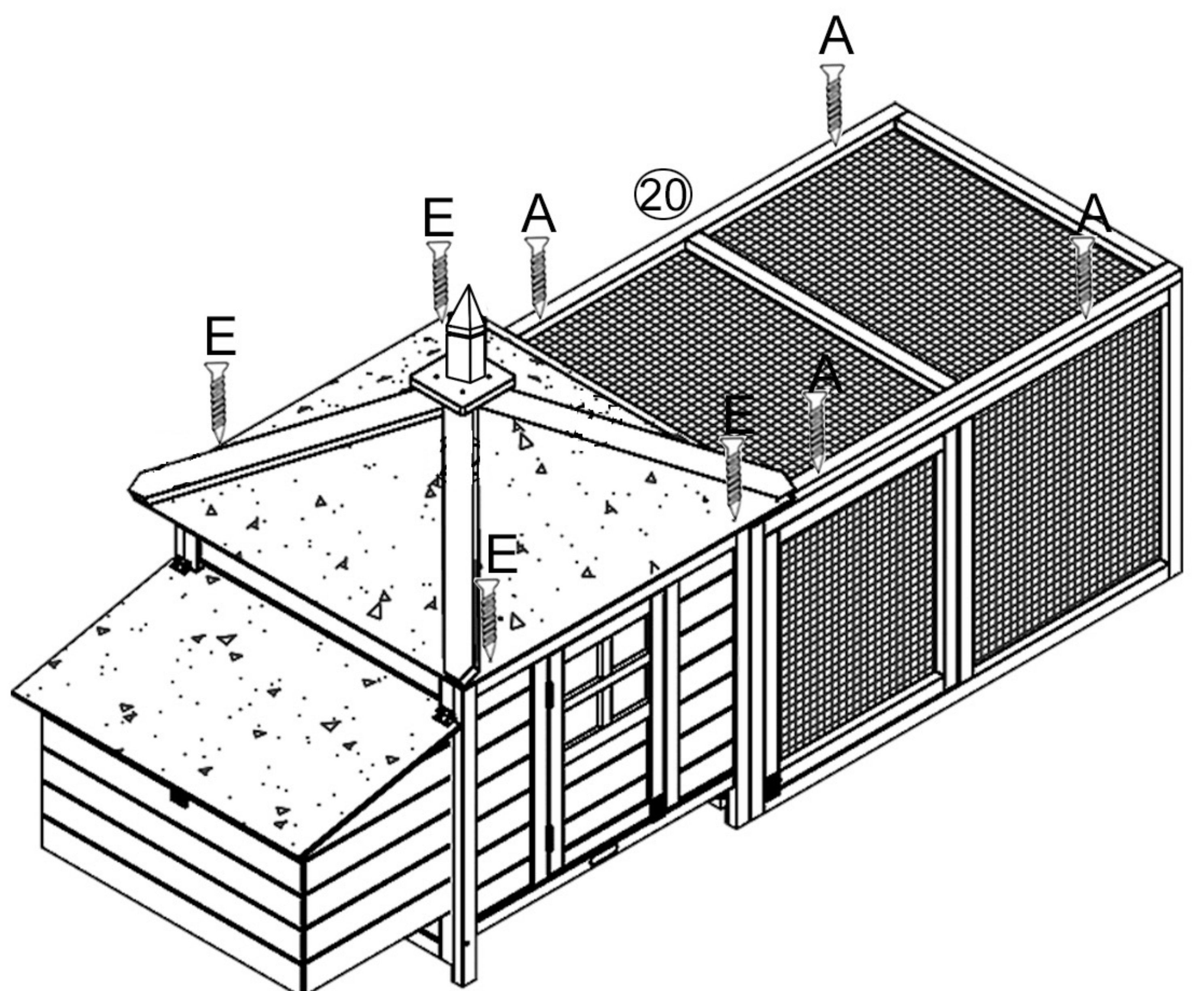
Step9:



Step10:



Step11:



Step12: