



Assembly Instructions

(A)  x 8pcs

M6*55

(B)  x 8pcs

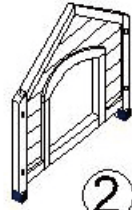
3.5*35

(C)  x 4pcs

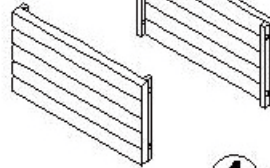
3.5*25



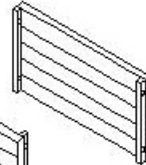
1



2



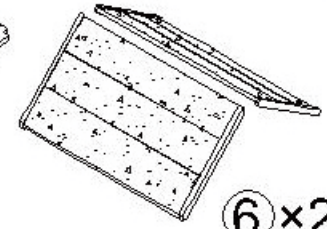
3



4



5 x 2

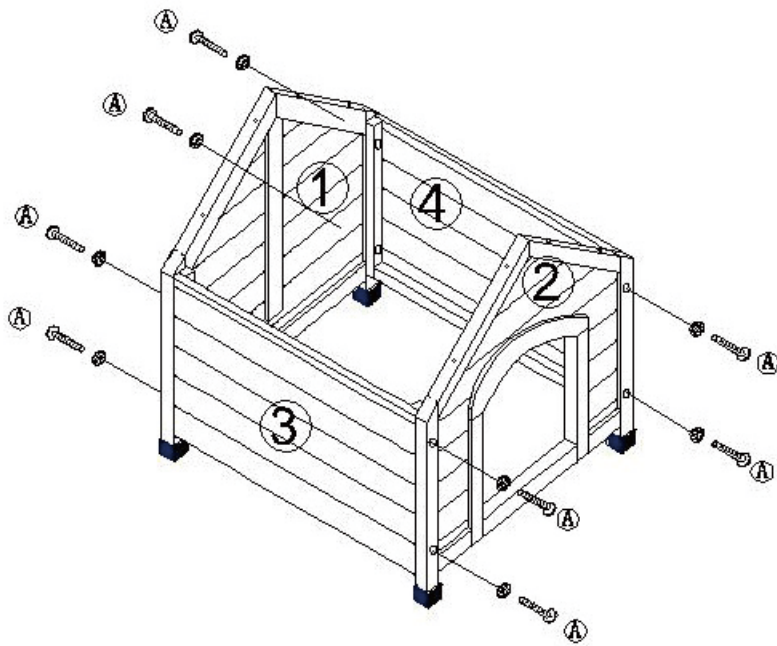


6 x 2

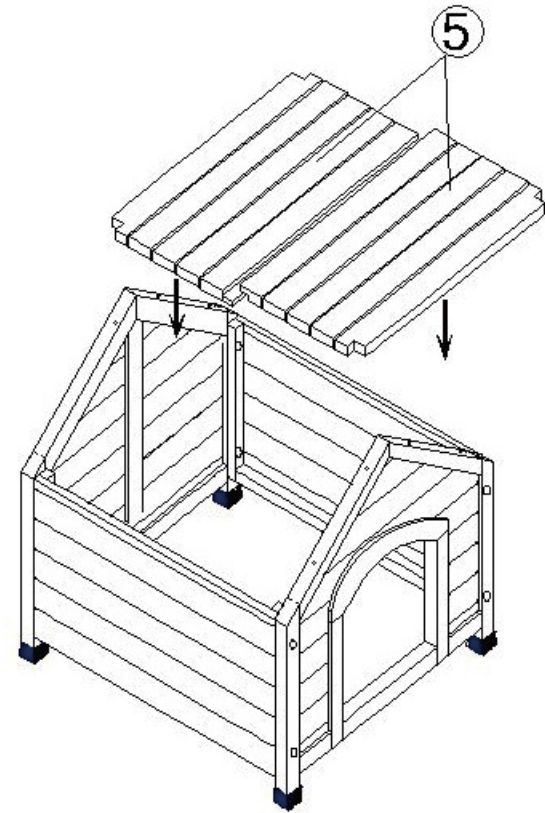


7

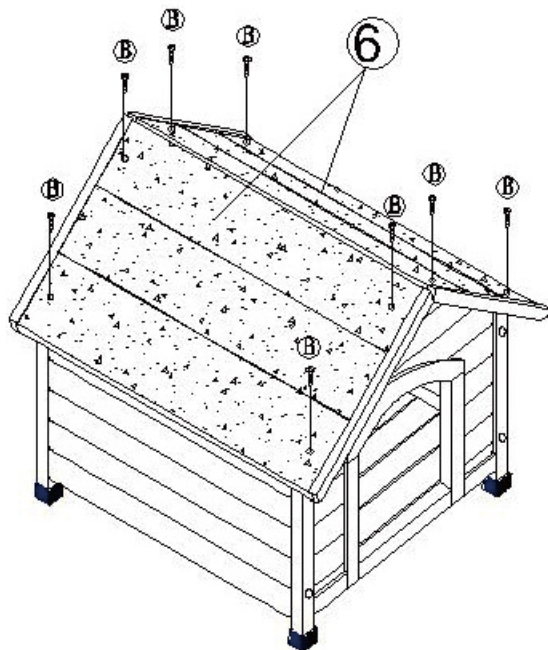
1



2



3



4

