

Broil King®

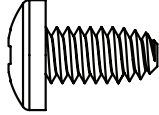
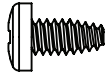
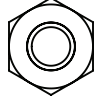
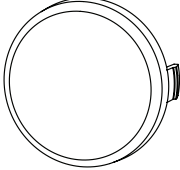
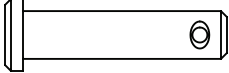
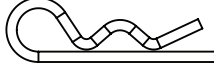

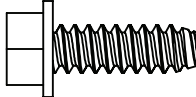
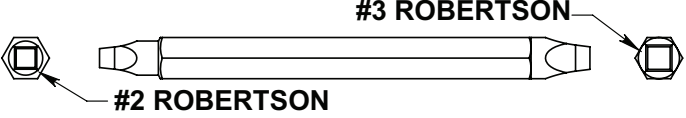



Broil King
CROWN 310 SHADOW
8649-52
8649-53
8649-56

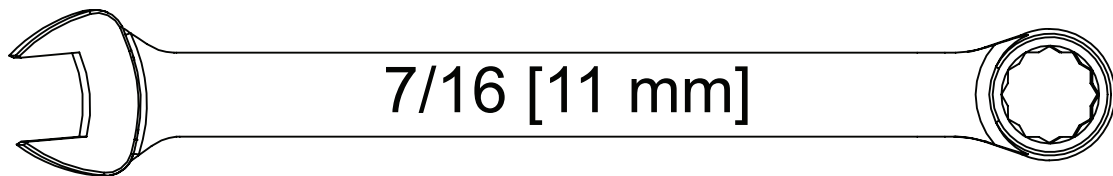


Broil King
CROWN 310
8640-52
8640-53
8640-56
8640-53IL

HARDWARE INCLUDED / MATERIAL INCLUS / EQUIPOS INCLUIDO

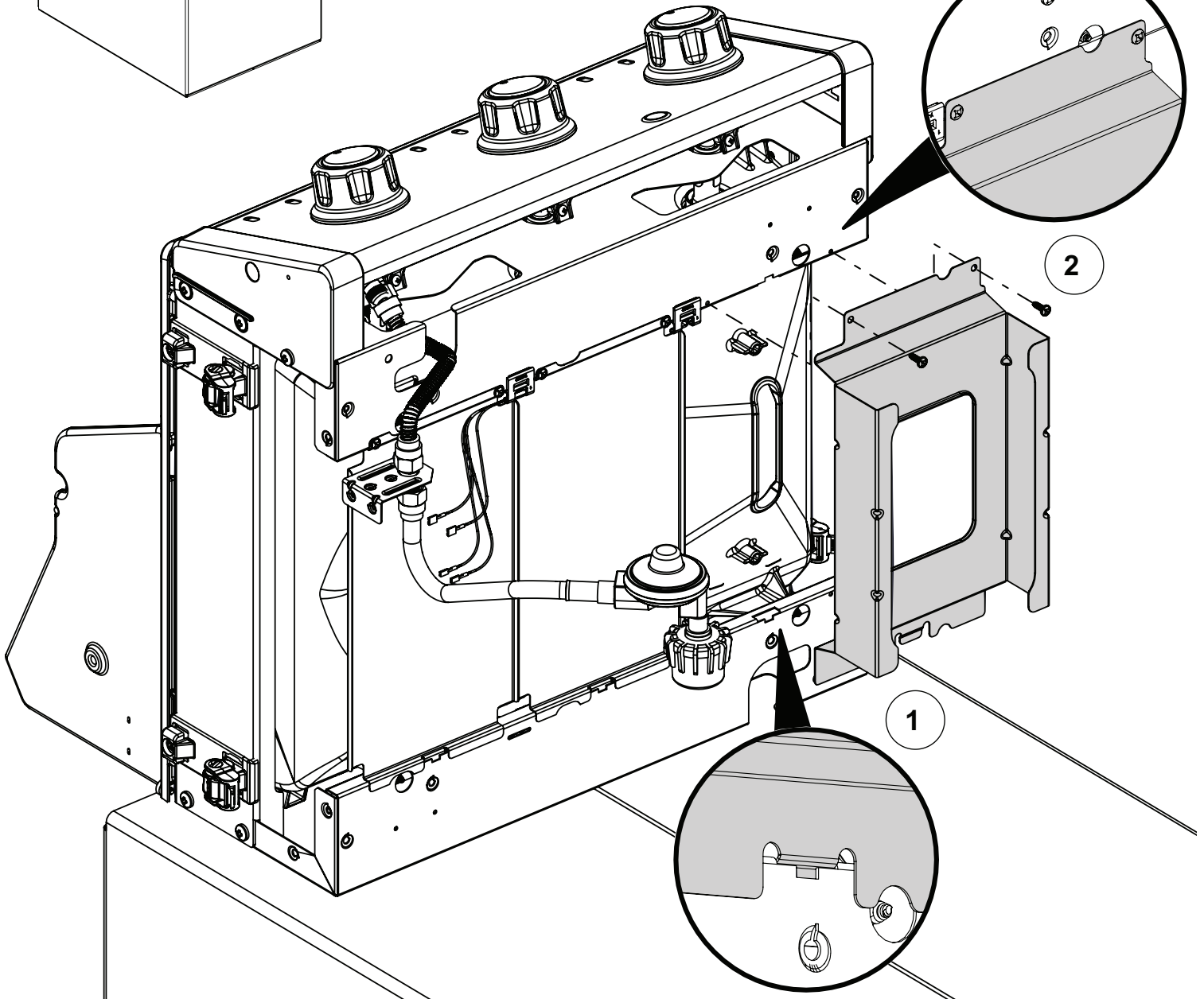
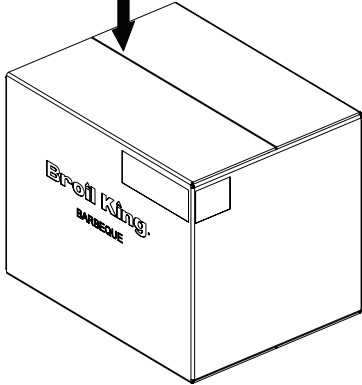
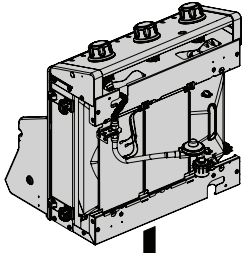
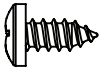
Y-12865		(12)	Y-29304		(6)
Y-11793		(4)	32001-151		(4)
S21235		(2)	S21233		(2)
S21125		(2)	S21088		(8)
 <p>#3 ROBERTSON</p> <p>#2 ROBERTSON</p>					
20005-000					(1)

TOOLS REQUIRED / OUTILS NECESSAIRES / HERRAMIENTAS NECESARIAS

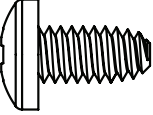


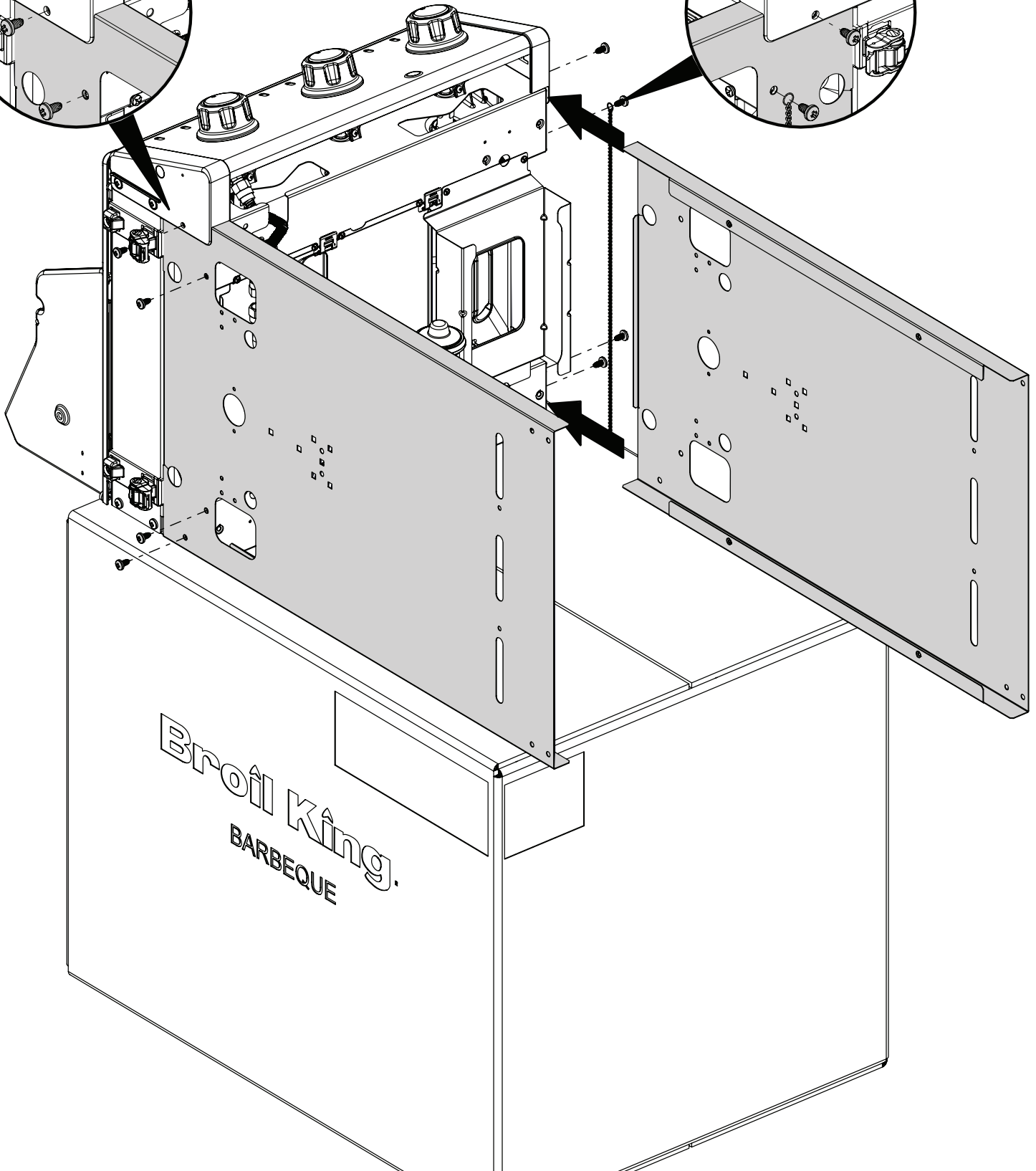
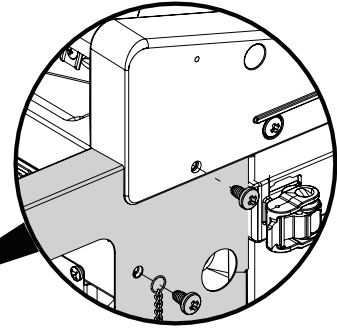
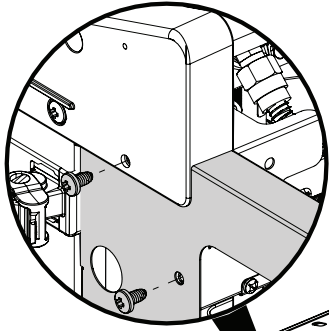
1

(2)

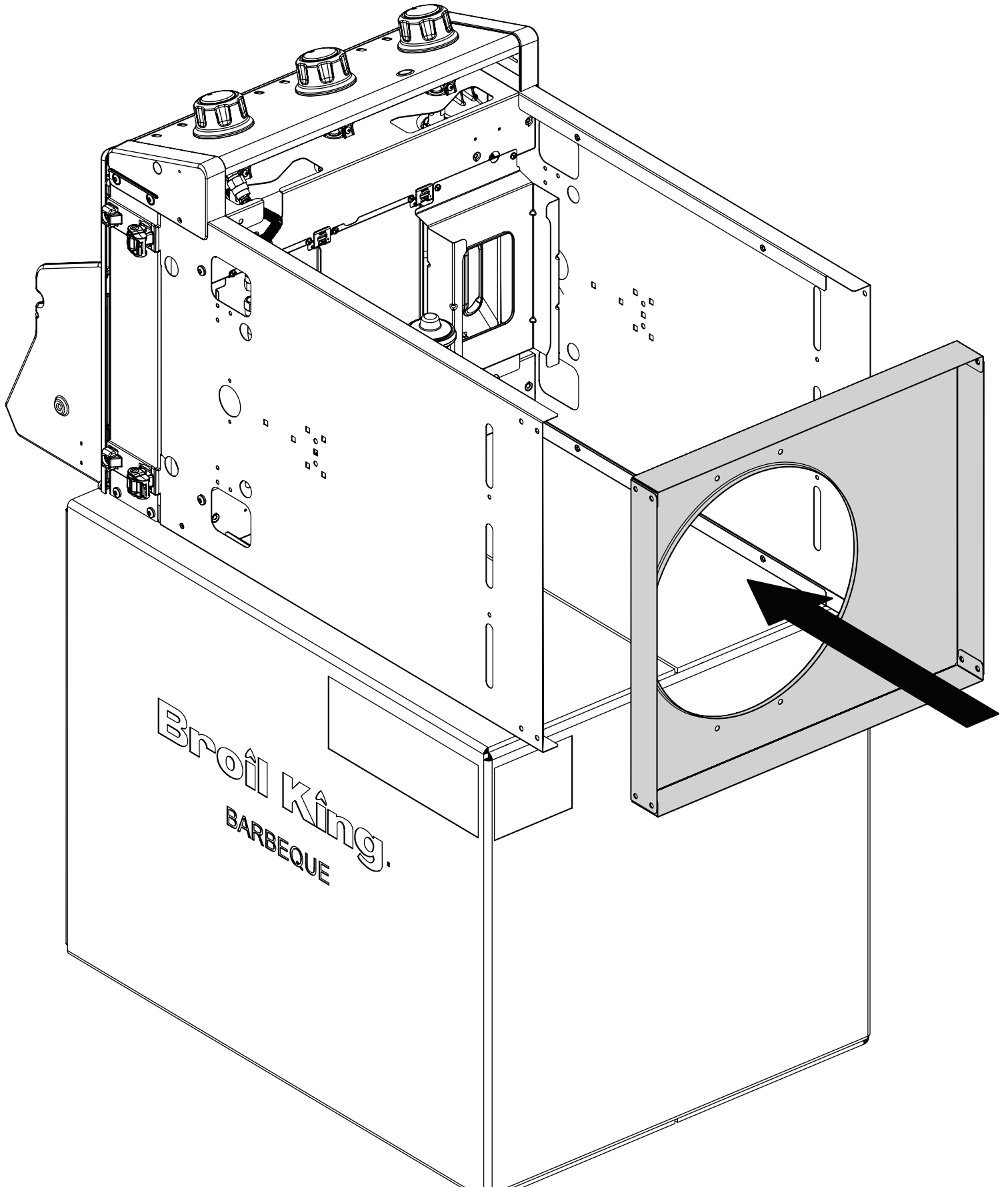


2

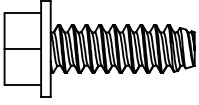
(8)  (1)

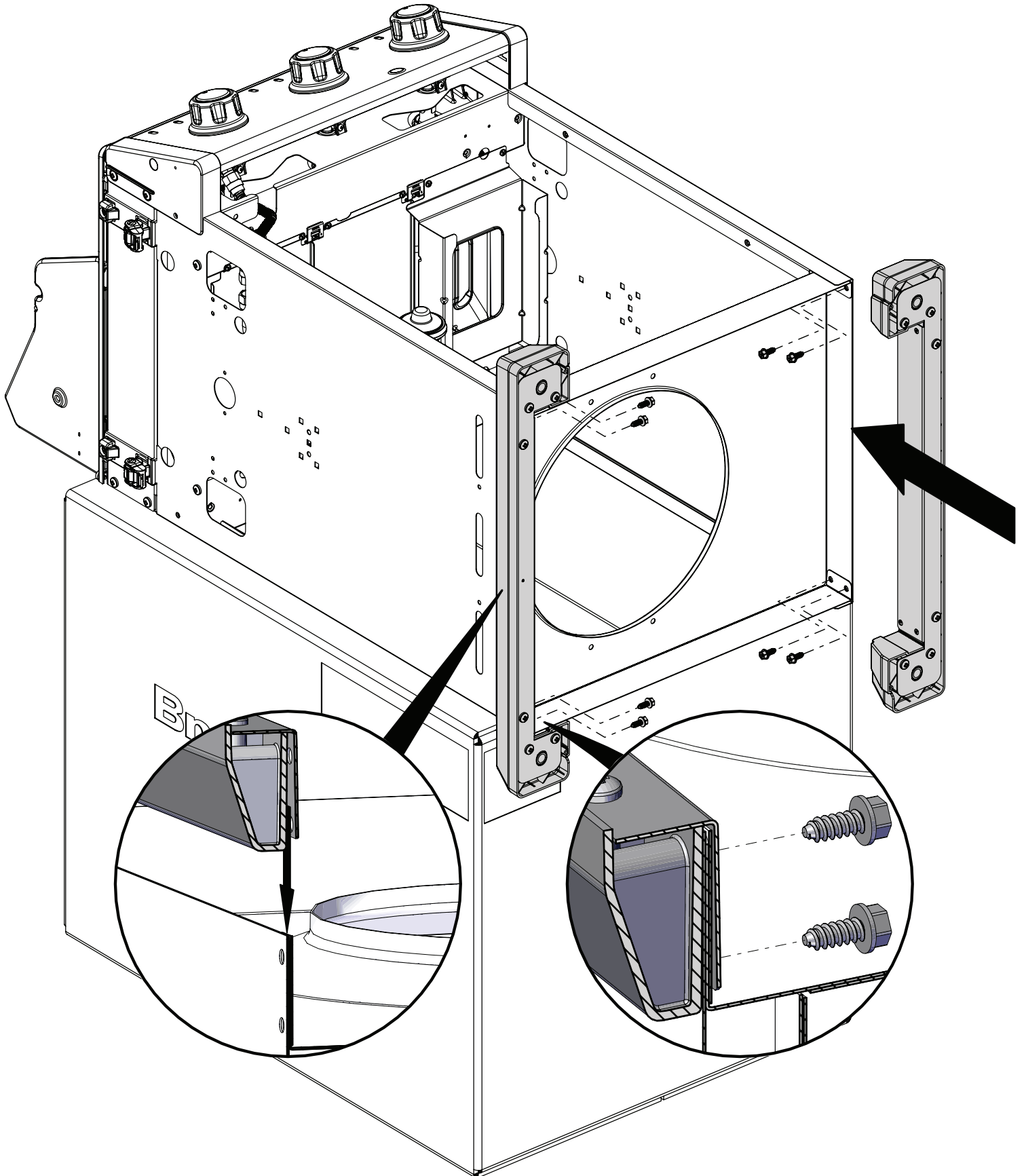


3

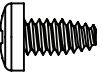


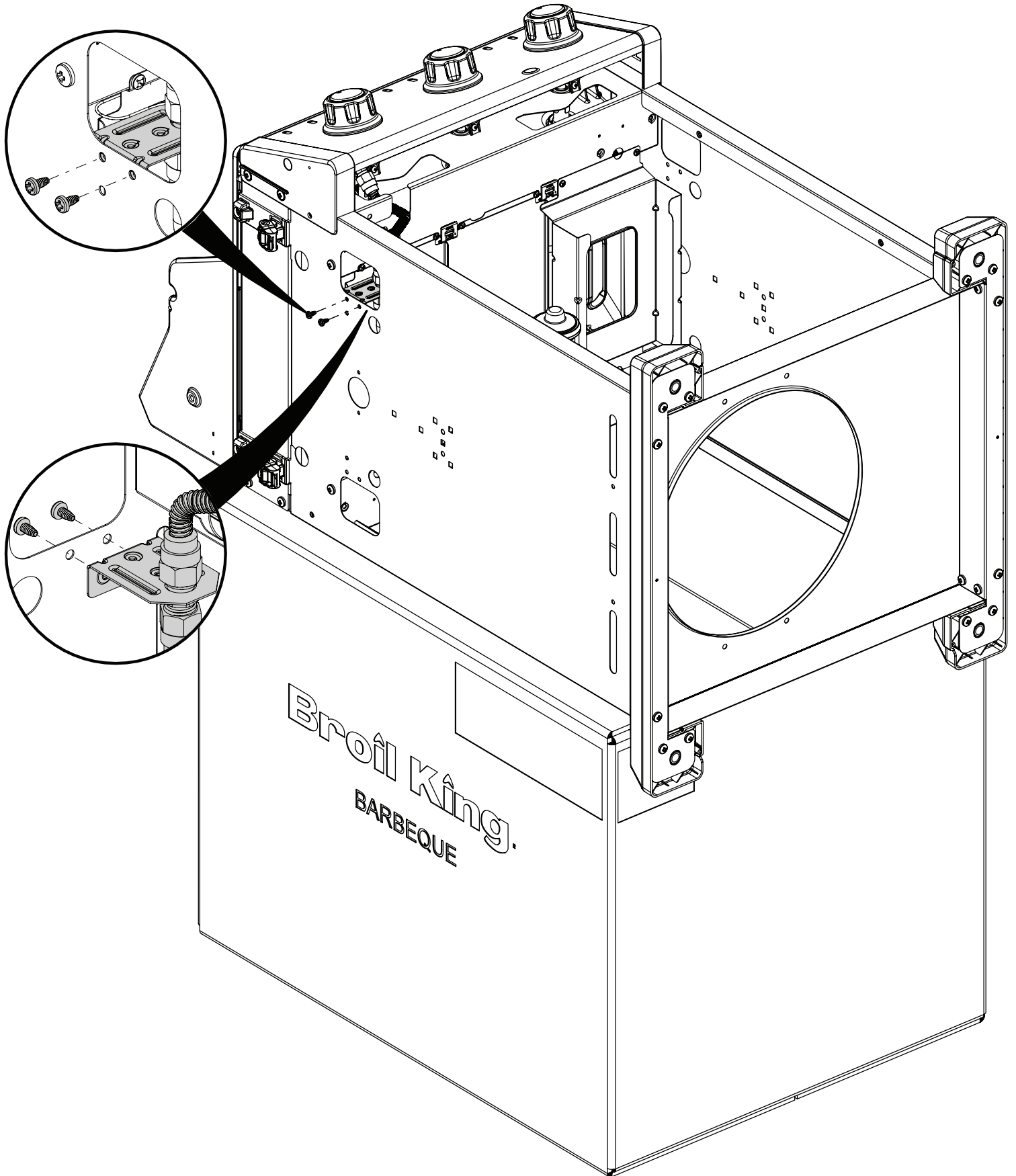
4

(8) 

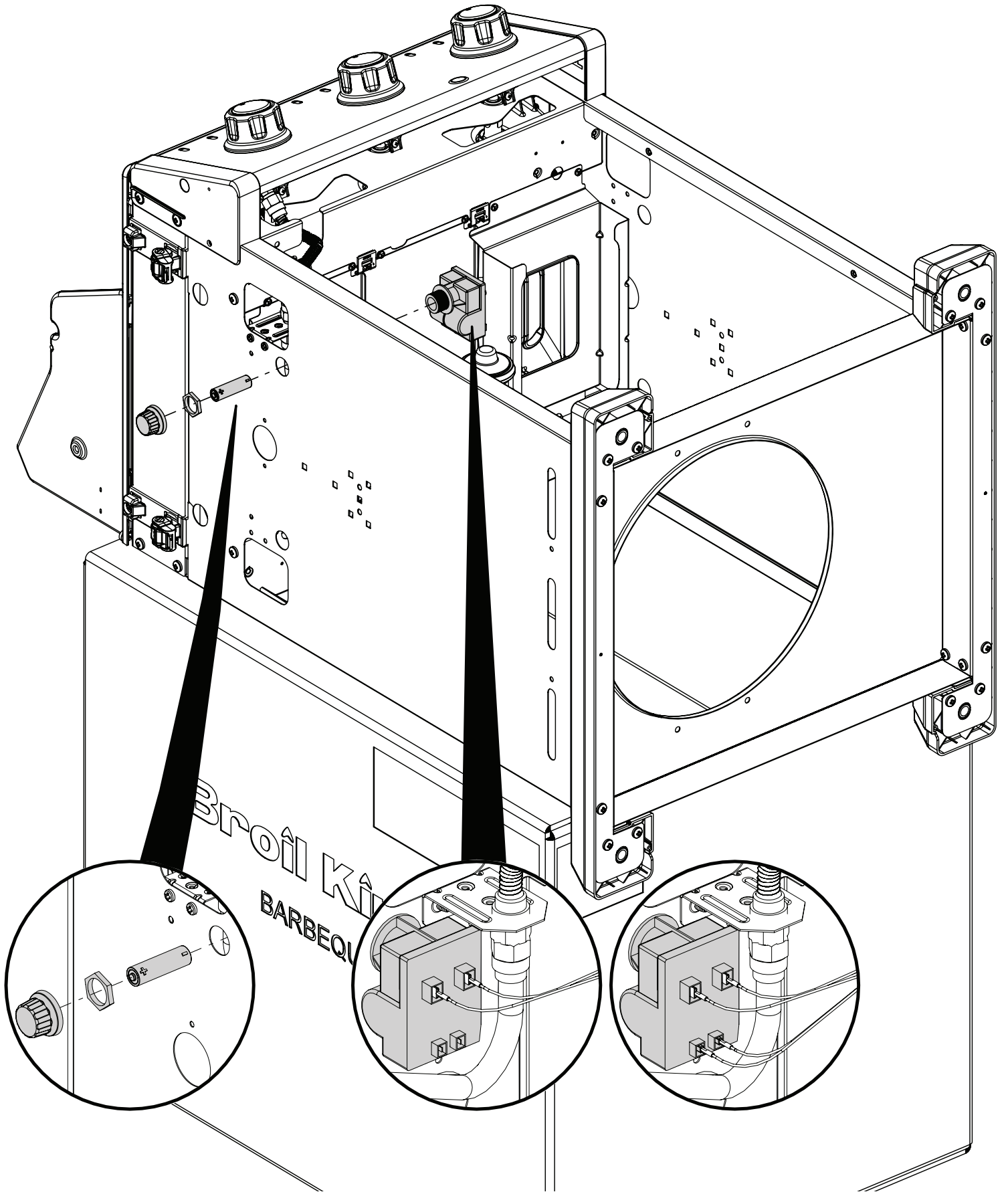


5

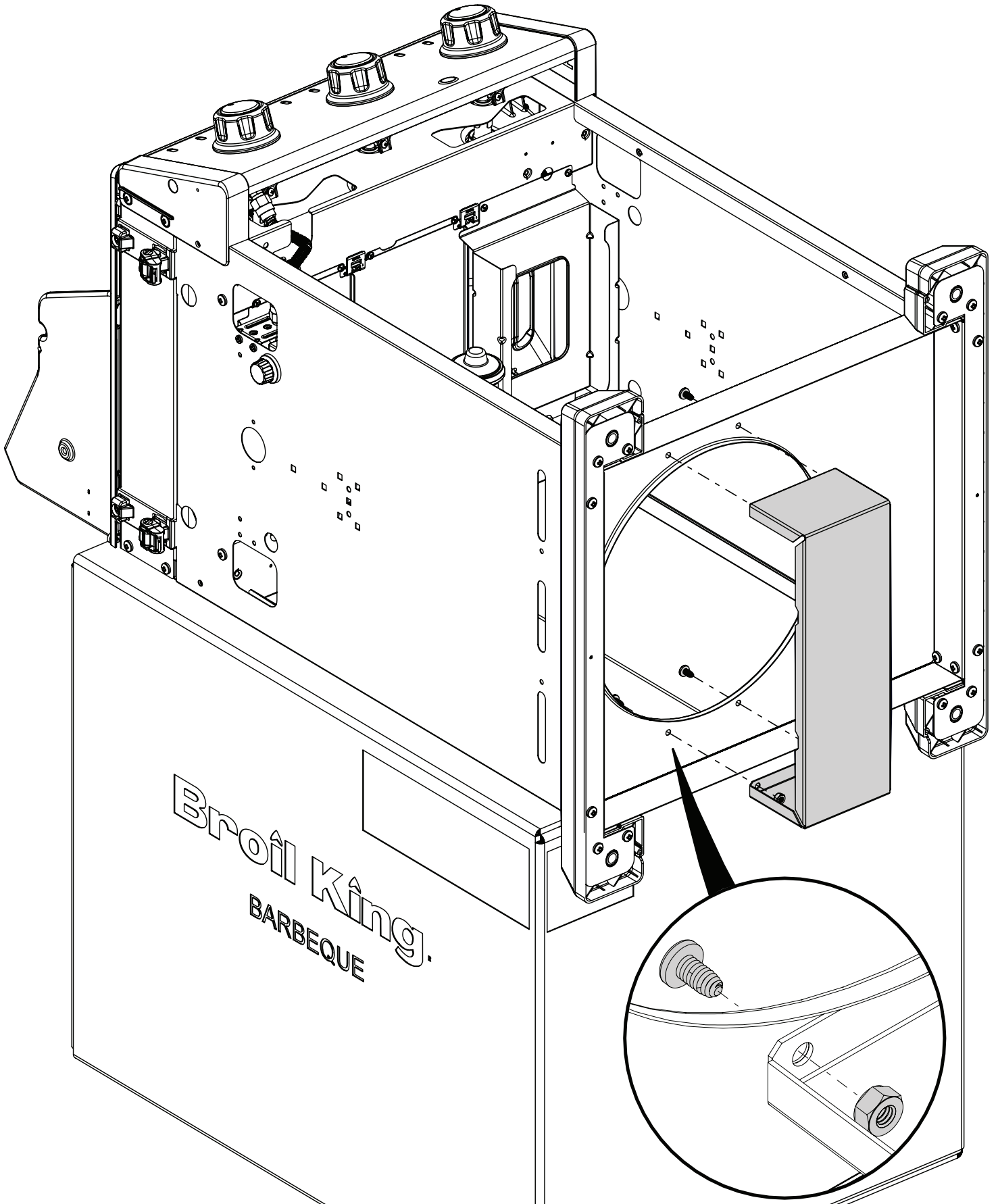
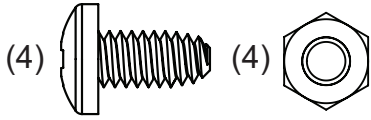
(2) 



6

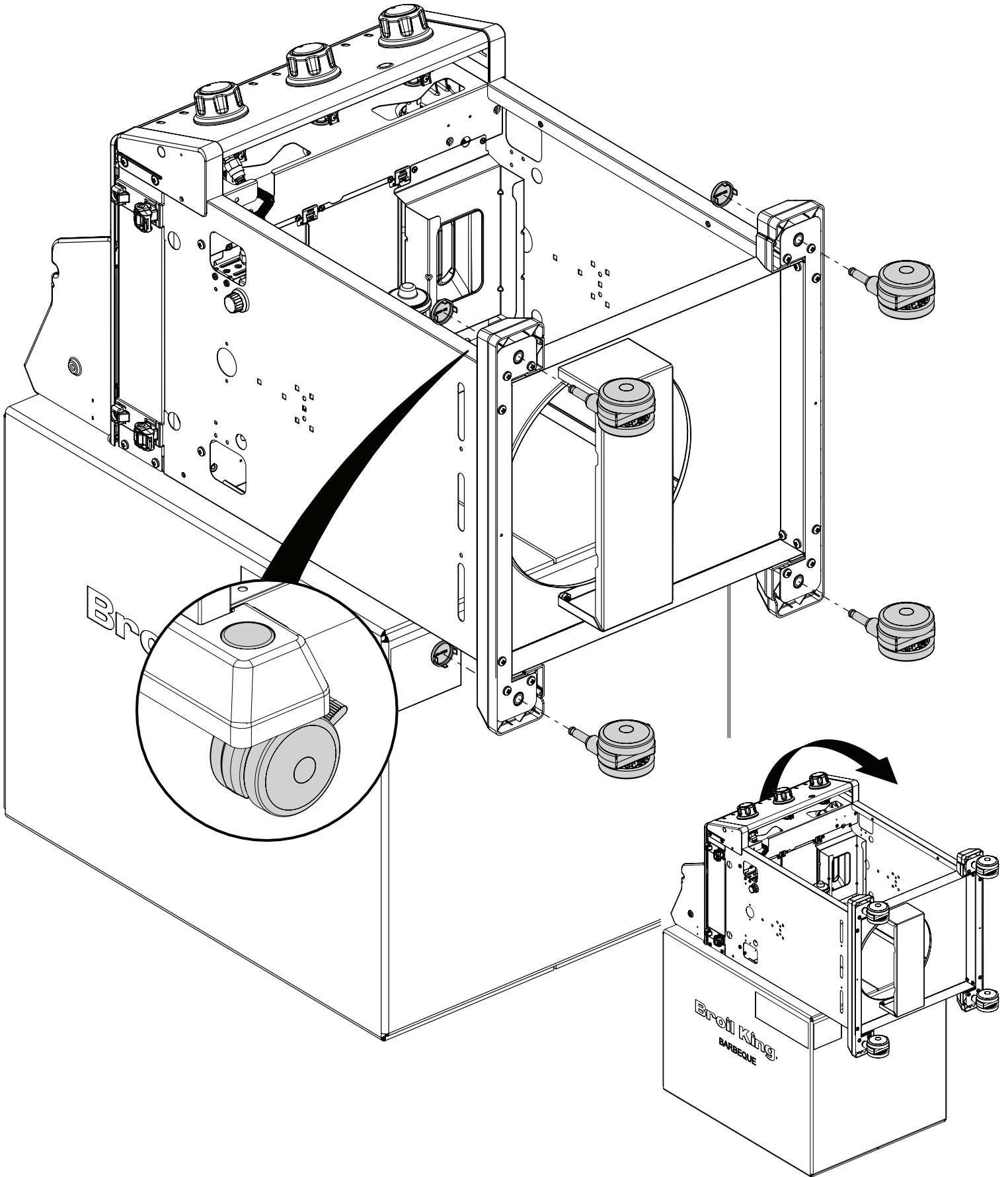
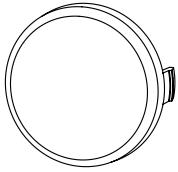


7

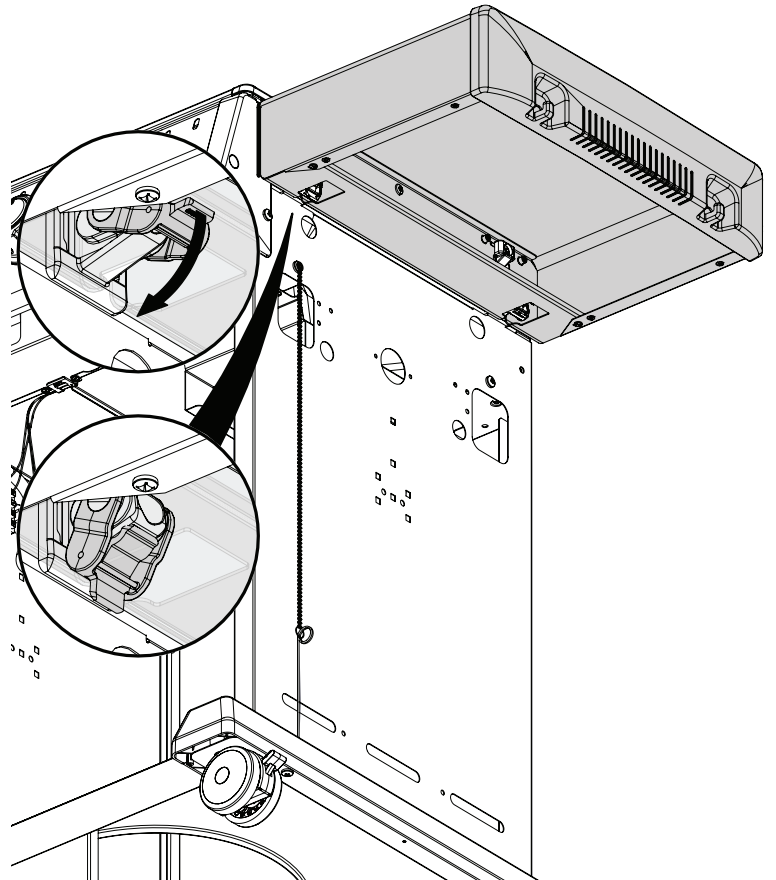
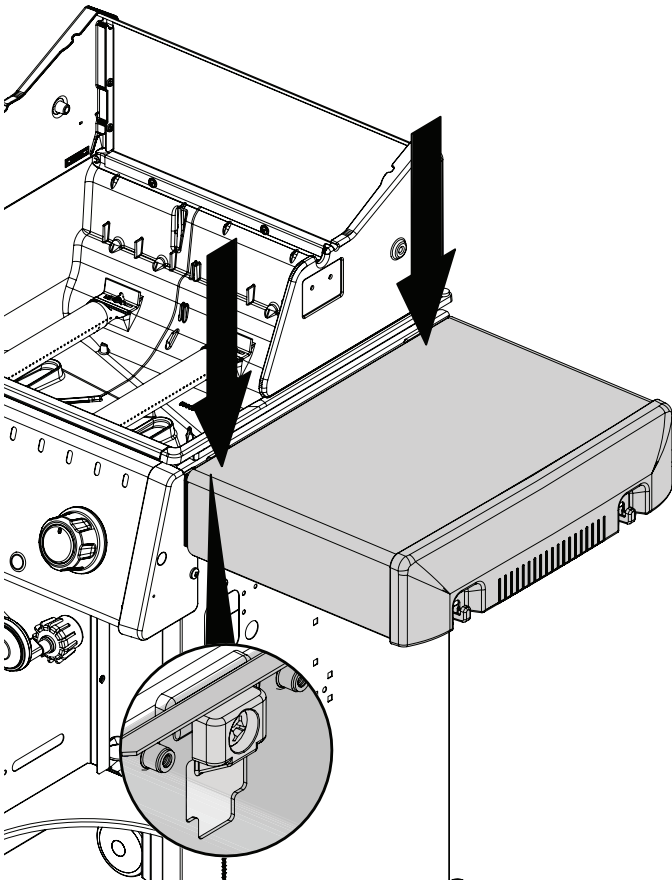
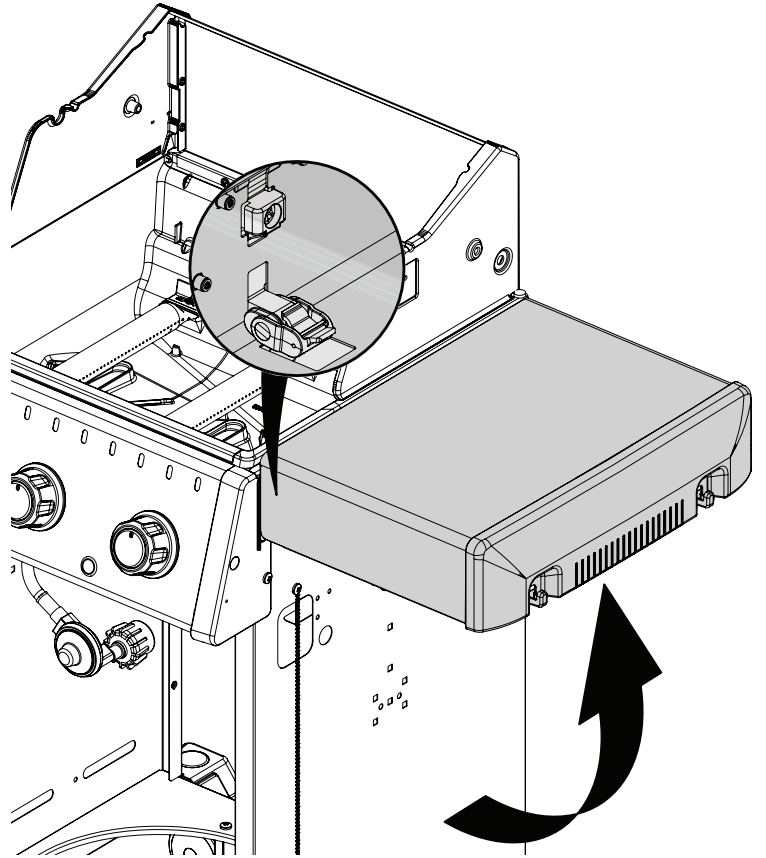
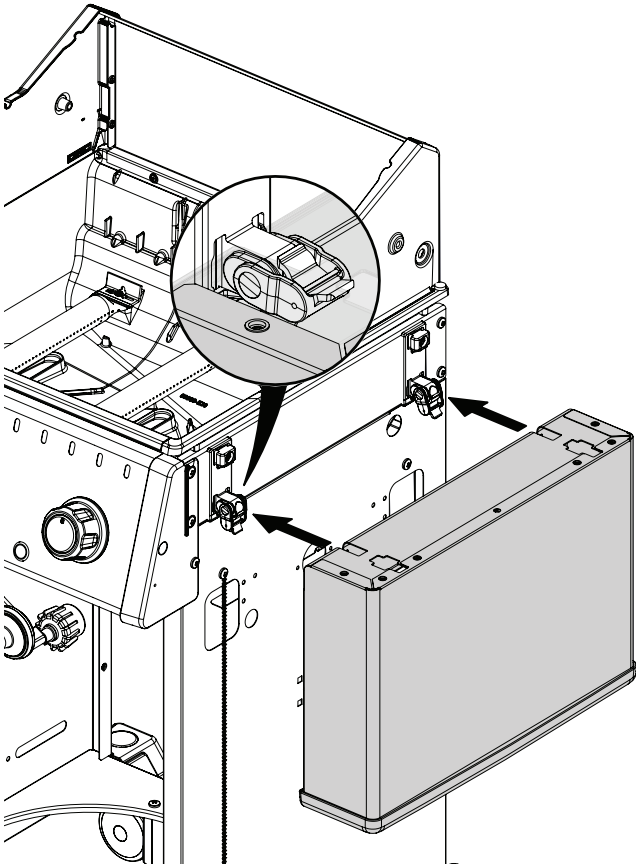


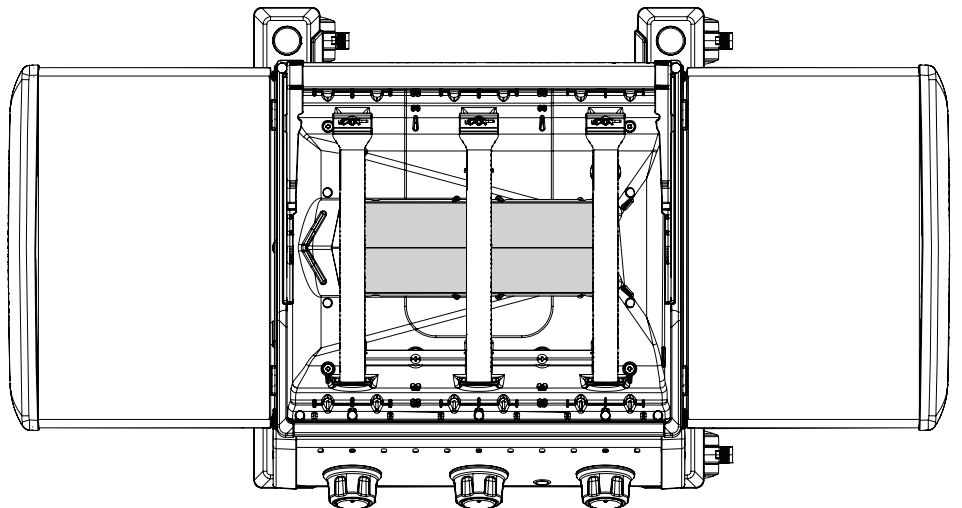
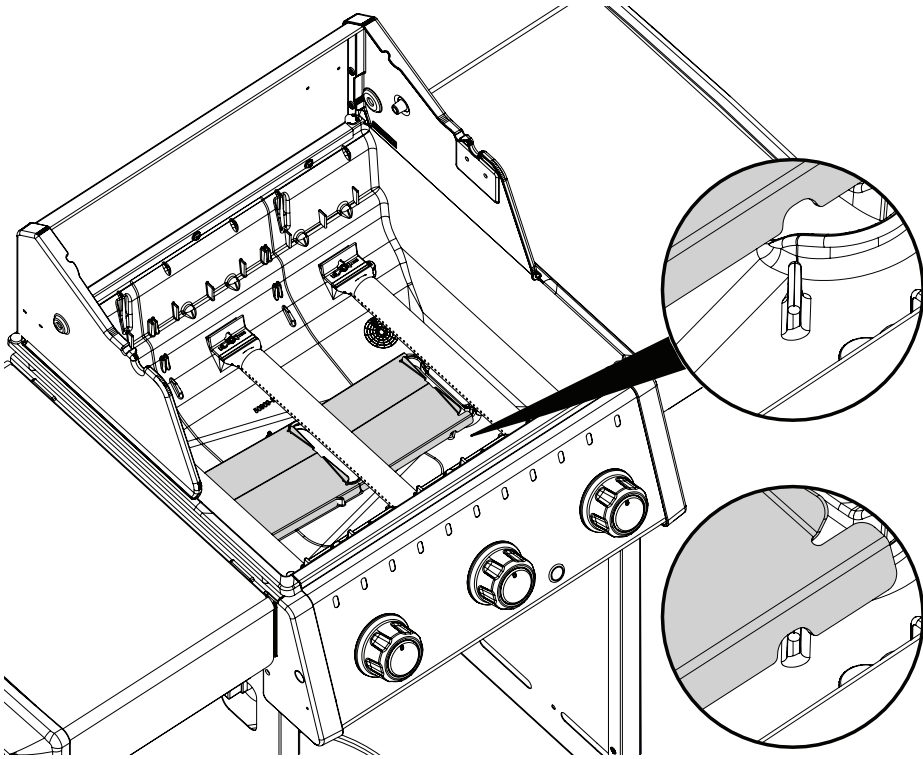
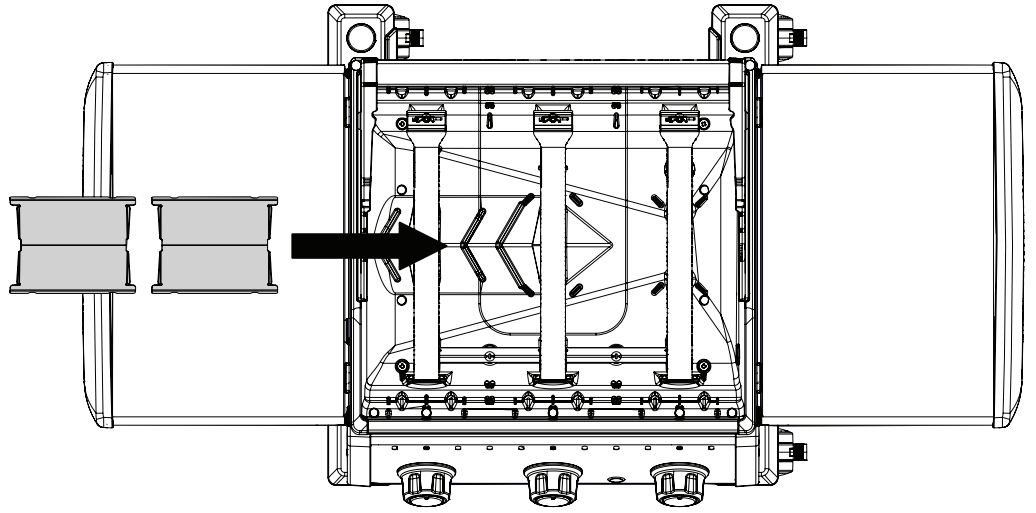
8

(4)

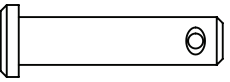
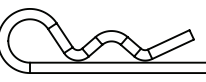


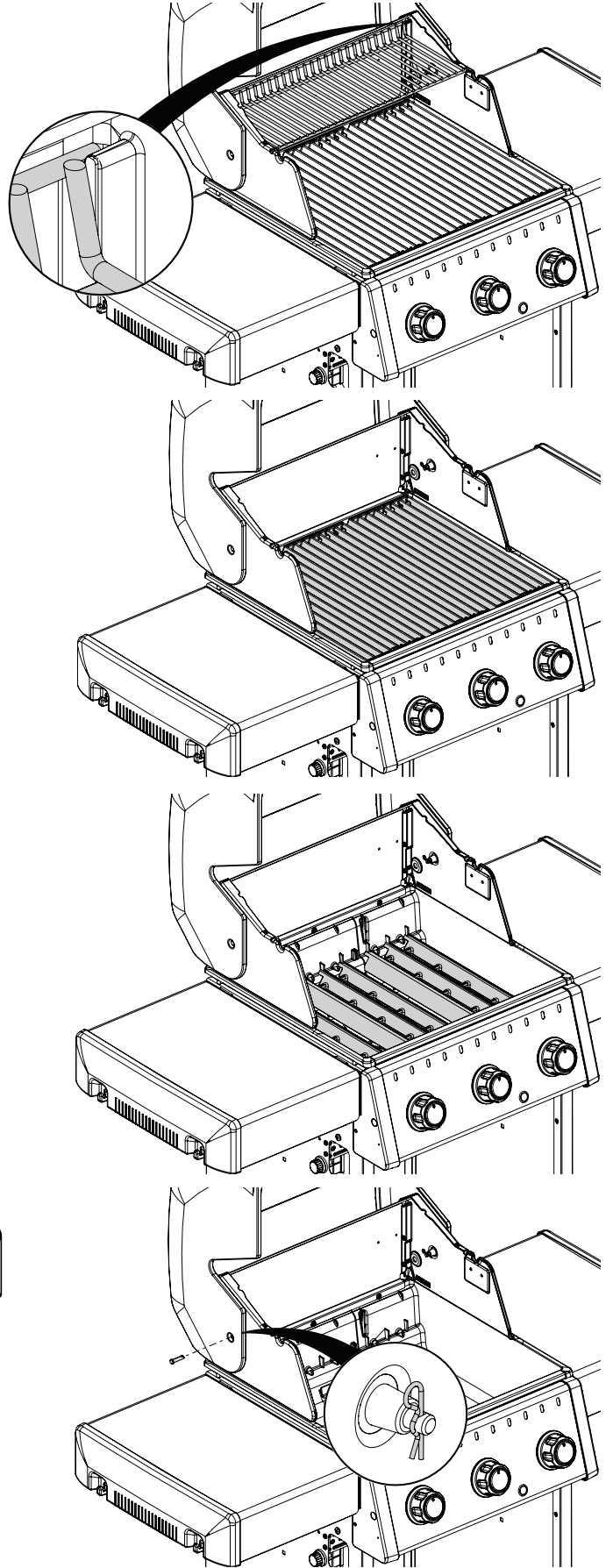
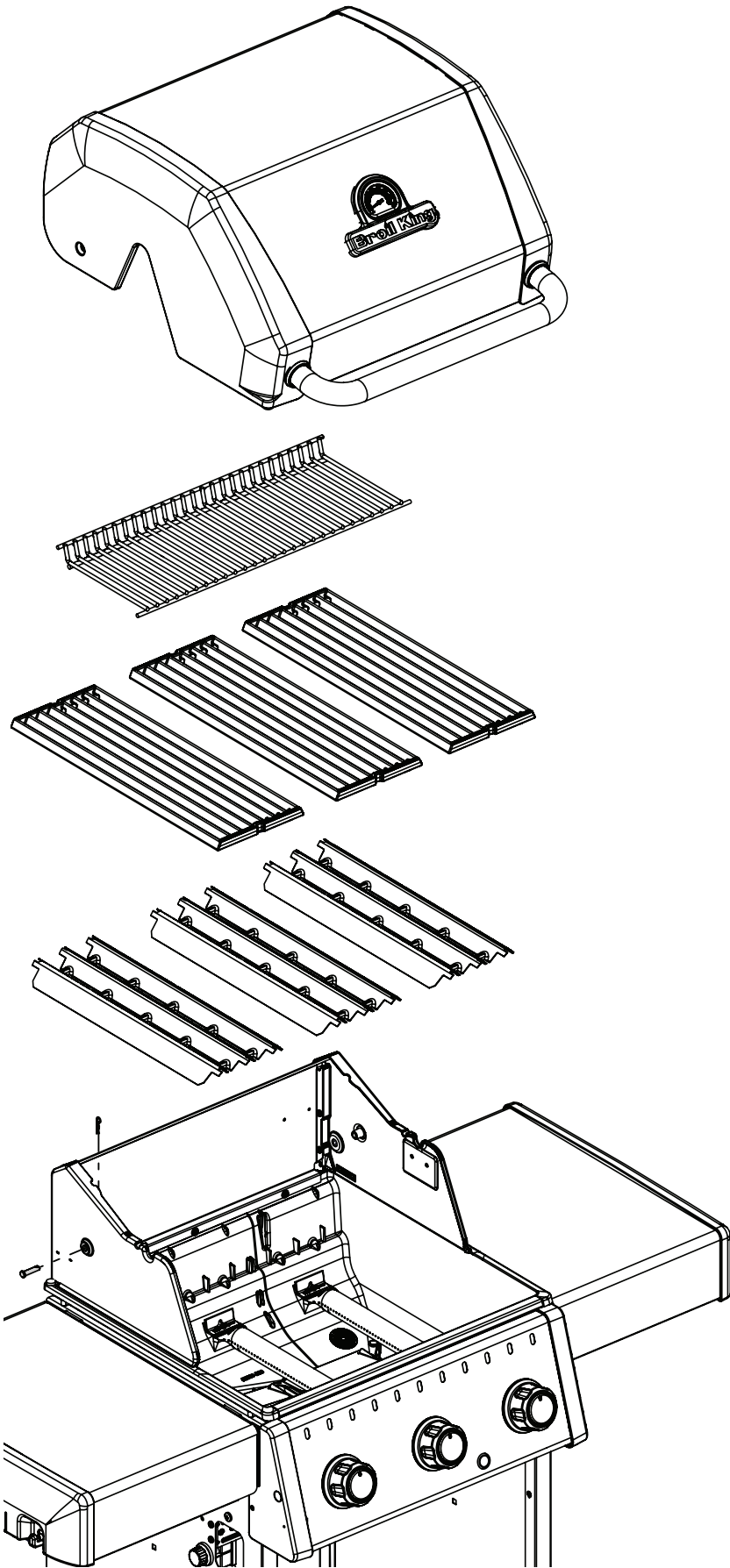
9



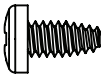


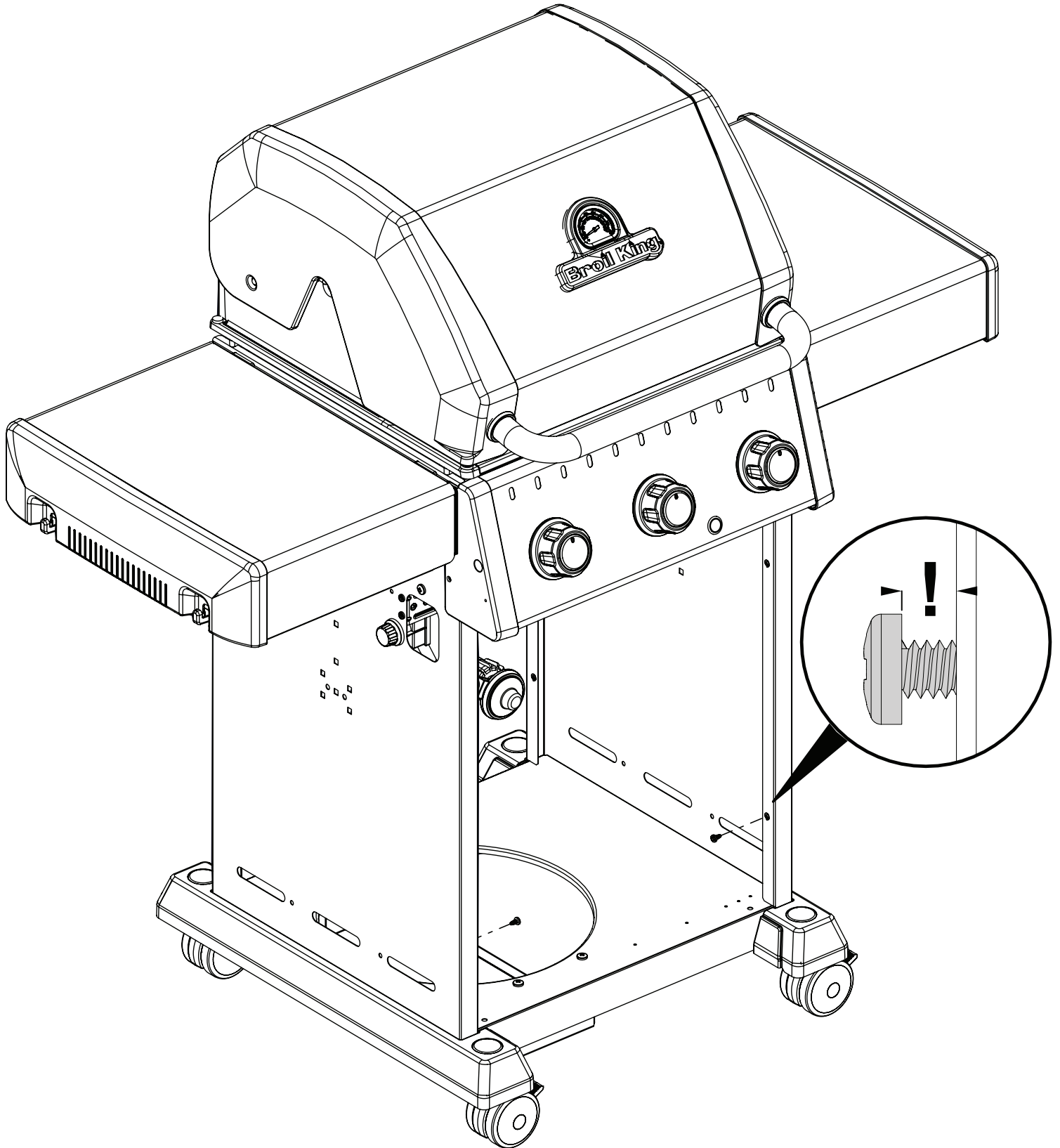
11

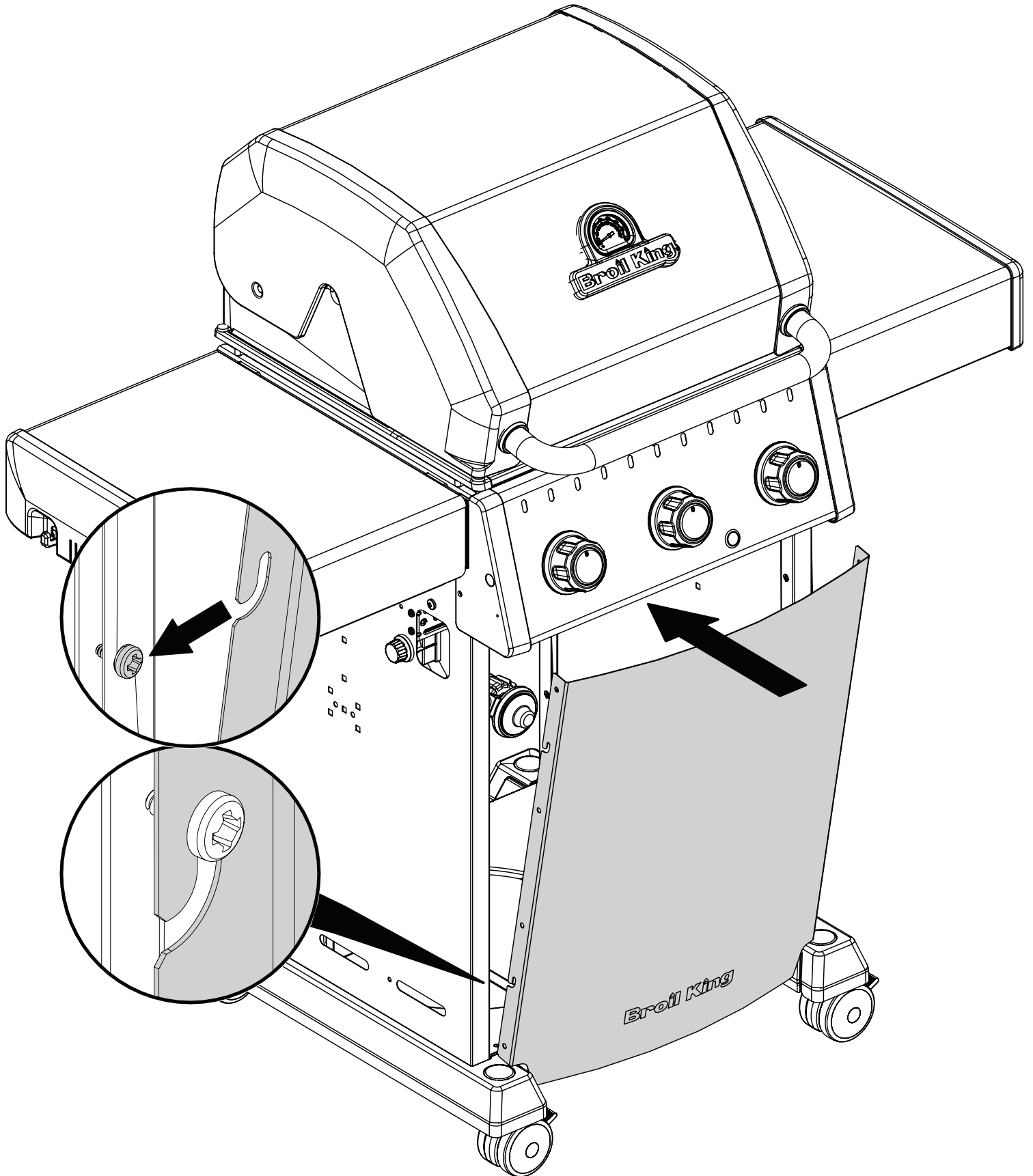
(2)  (2) 



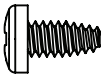
12

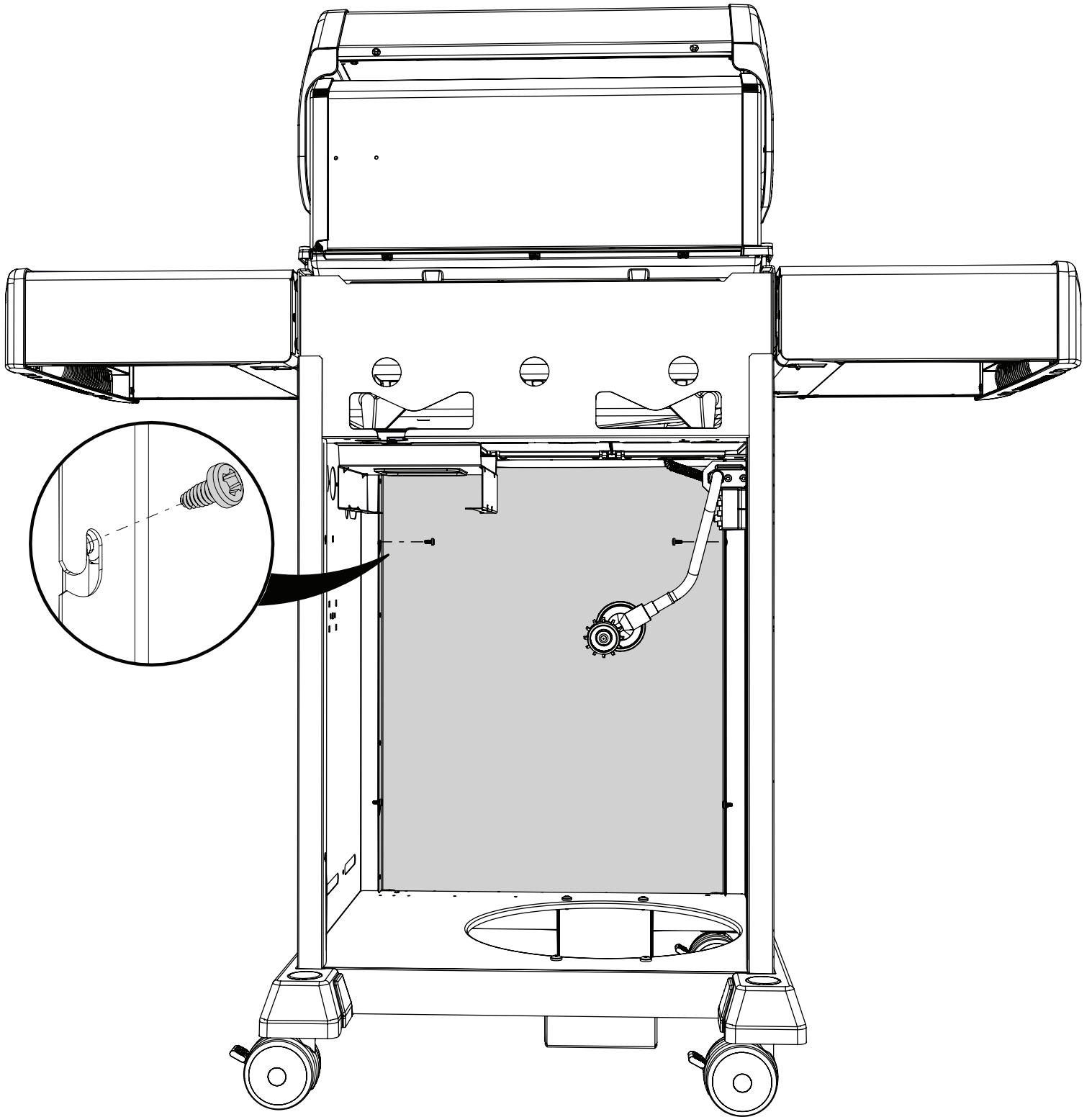
(2) 

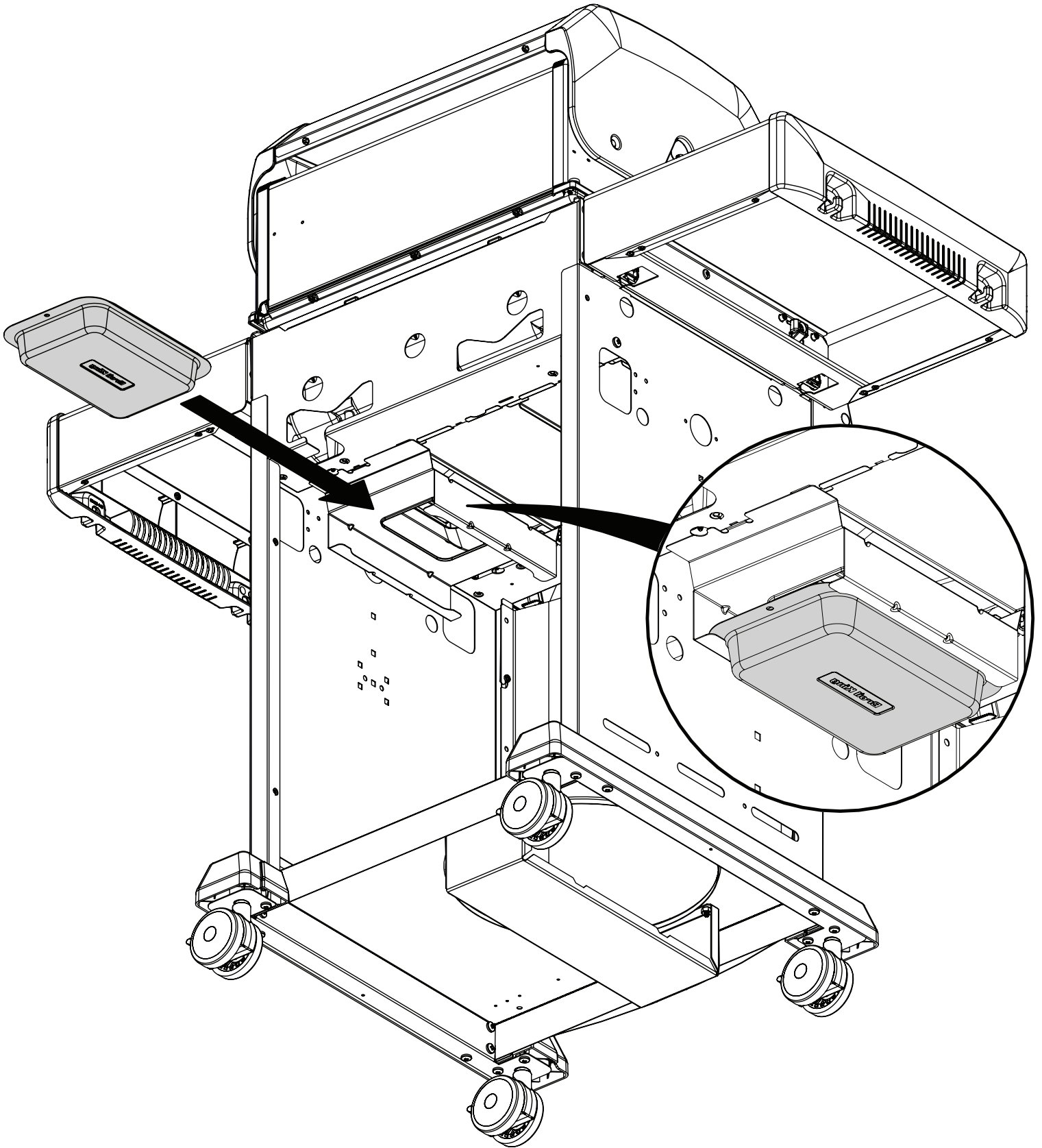




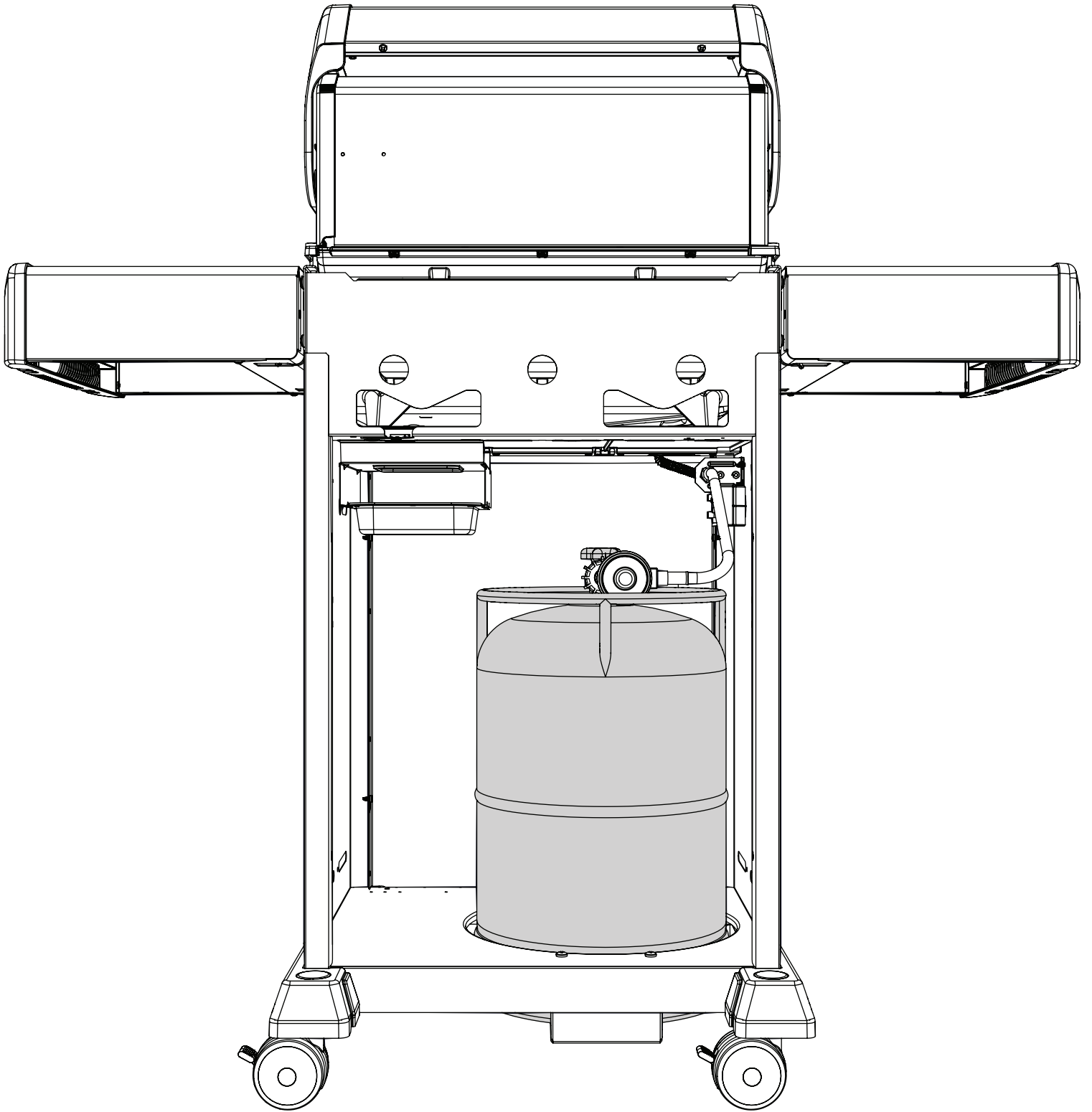
14

(2) 





16



<u>KEY #</u>	<u>ITEM #</u>	<u>DESCRIPTION</u>	<u>8649-52</u>	<u>8649-53</u>	<u>8649-56</u>	<u>8640-52</u>	<u>8640-53</u>	<u>8640-56</u>	<u>8640-53IL</u>
1	52004-101	FIREBOX ASSEMBLY	1	1	1	1	1	1	1
2	56004-801	LID ASSEMBLY	1	1	1	1	1	1	1
7	Y-11544S	SCREW - BURNER	3	3	3	3	3	3	3
8	S21242	BURNER CLIP	3	3	3	3	3	3	3
18	52001-981	GRID - SINGLE CI	3	3	3	3	3	3	3
20	52004-991	GRID - WARMING RACK	1	1	1	1	1	1	1
21	59804-012	CONTROL ASSEMBLY	1	1	1	1	•	•	•
	59804-013	CONTROL ASSEMBLY	•	•	•	•	1	•	1
	59804-016	CONTROL ASSEMBLY	•	•	•	•	•	1	•
22	22024-903A	COLLECTOR BOX	1	1	1	1	1	1	1
24	10111-16A	CONNECTOR HOSE	1	1	1	1	1	1	1
25	52929-104E	BURNER	3	3	3	3	3	3	3
26	52002-291A	CONTROL KNOB	3	3	3	3	3	3	3
28	52023-1211CRO	CONTROL COVER	1	1	1	•	•	•	•
	52023-124CRO	CONTROL COVER	•	•	•	1	1	1	•
	52023-124CROIL	CONTROL COVER	•	•	•	•	•	•	1
31	52009-918	EDGE CAP - LH	1	1	1	1	1	1	1
32	52009-938	EDGE CAP - RH	1	1	1	1	1	1	1
37	53139-908	SHELF BRACKET	4	4	4	4	4	4	4
38	Y-12620	SHELF LOCK CLIP	4	4	4	4	4	4	4
41	10342-E13	ELECTRODE	1	1	1	1	1	1	1
42	10342-E22	ELECTRODE	1	1	1	1	1	1	1
44	10342-42	ELECTRONIC IGNITOR	1	1	1	1	1	1	1
44A	25070-925	WIRE - IGNITOR	1	1	1	1	1	1	1
44B	25070-931	BUTTON - IGNITOR	1	1	1	1	1	1	1
49	51009-007	GREASE TRAY	1	1	1	1	1	1	1
50	52060-1011	GREASE TRAY SUPPORT	1	1	1	1	1	1	1
51	52009-104	FLAV-R-WAVE ®	3	3	3	3	3	3	3
52	52149-004	GREASE SHIELD	2	2	2	2	2	2	2
56	24004-12A	HANDLE	1	1	1	1	1	1	1
58	24009-936	BEZEL	2	2	2	2	2	2	2
59	10081-BK630	NAMEPLATE	1	1	1	1	1	1	1
60	10571-6	HEAT INDICATOR	1	1	1	1	1	1	1
62	53409-148	SHELF END CAP	2	2	2	2	2	2	2
65	20005-000	MATCH LIGHT - STICK	1	1	1	1	1	1	1
69	51584-1016	FRONT PANEL	1	1	1	1	1	1	1
80	51189-1011	SIDE PANEL	2	2	2	2	2	2	2
87	Y-11793	NUT 1/4-20	4	4	4	4	4	•	4
90	51624-1311	BASE	1	1	•	1	1	•	1
	51624-1711	BASE	•	•	1	•	•	1	•
99	32001-151	CASTOR BRACKET CAP	4	4	4	4	4	4	4
100	51639-108	CASTOR BRACKET	2	2	2	2	2	2	2
102	10892-286	CASTOR	4	4	4	4	4	4	4
103	21039-3011	TANK BRACKET	1	1	•	1	1	•	1
114	53109-1111	SHELF	2	2	2	2	2	2	2
141	Y-11559	BOLT 1/4-20 X 1	2	2	2	2	2	2	2
142	S21125	SCREW #8 X 1/2	2	2	2	2	2	2	2

<u>KEY #</u>	<u>ITEM #</u>	<u>DESCRIPTION</u>	<u>8649-52</u>	<u>8649-53</u>	<u>8649-56</u>	<u>8640-52</u>	<u>8640-53</u>	<u>8640-56</u>	<u>8640-53IL</u>
145	S21235	HINGE PIN	2	2	2	2	2	2	2
146	S21233	HITCH PIN CLIP	2	2	2	2	2	2	2
147	Y-11231	LID BUMPER	4	4	4	4	4	4	4
159	S21127S	SCREW #8-32 X 7/16	6	6	6	6	6	6	6
160	Y-29304	SCREW #10-24 X 3/8	26	26	26	26	26	26	26
161	Y-12310	SCREW 1/4-20 X 3/4	8	8	8	8	8	8	8
162	S21088	SCREW #14 X 3/8	8	8	8	8	8	8	8
186	Y-12865	SCREW 1/4-20 X 3/4	14	14	14	14	14	14	14

