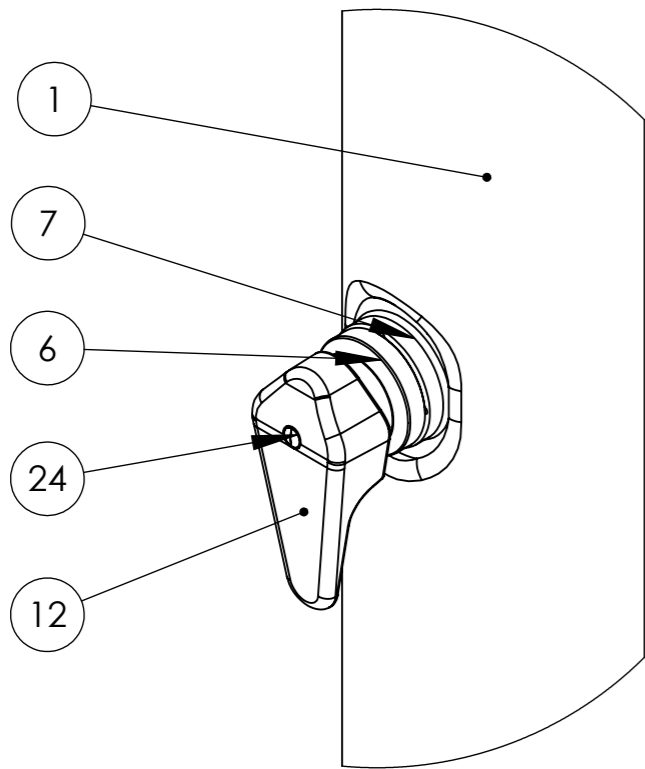
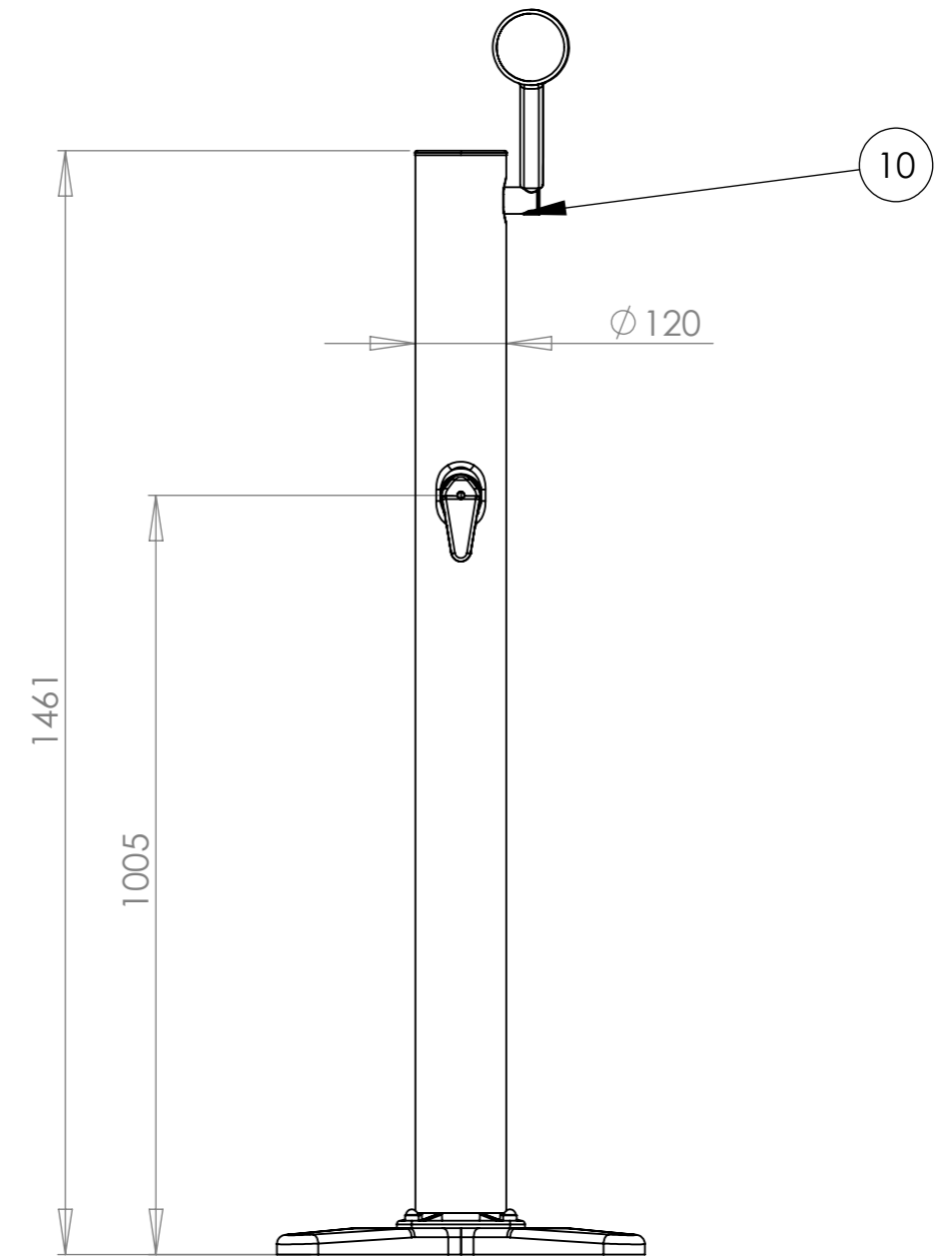
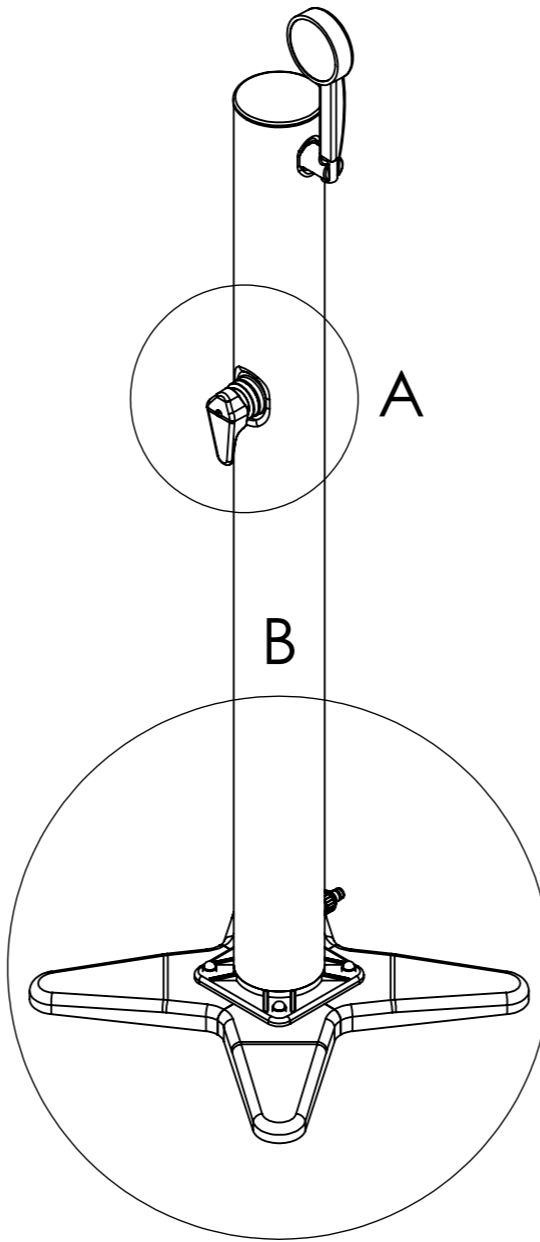
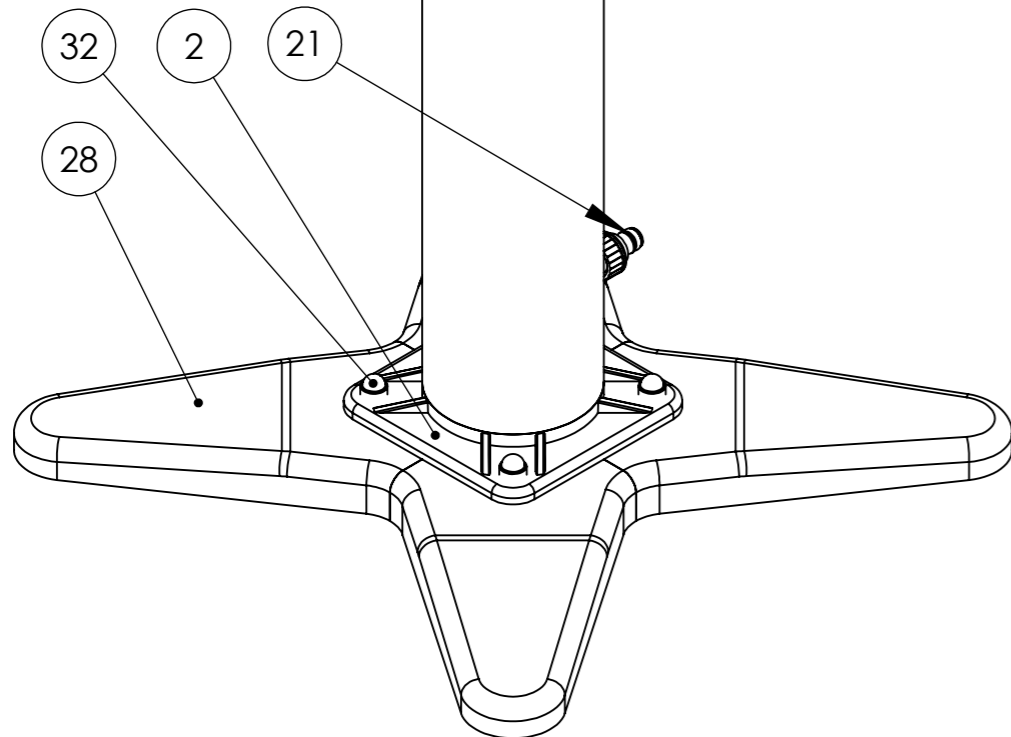


DETAIL A
MĚŘITKO 1 : 3



DETAIL B
MĚŘITKO 1 : 5



UNLESS OTHERWISE SPECIFIED: DIMENSIONS ARE IN MILLIMETERS SURFACE FINISH: TOLERANCES: LINEAR: ANGULAR:				FINISH:		DEBUR AND BREAK SHARP EDGES		DO NOT SCALE DRAWING		REVISION	
DRAWN		NAME		SIGNATURE		DATE		TITLE:			
CHK'D		Šveda				9.12.2014		Sestava zkrácené sprchy S-SS120ZKR-001			
APPV'D											
MFG											
Q.A											
						MATERIAL:		DWG NO.		A3	
						WEIGHT:		SCALE:1:1		SHEET 1 OF 1	