



**Robert Bosch Power Tools GmbH**  
70538 Stuttgart  
GERMANY

[www.bosch-do-it.com](http://www.bosch-do-it.com)

**F 016 L81 746** (2017.10) 0 / 40



**F 016 L81 746**

# EasyAquatak 100

 **BOSCH**

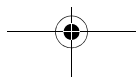
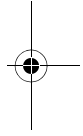
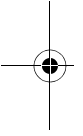
**en** Original instructions  
**ar** تعليمات التشغيل الأصلية  
**fa** دفترچه راهنمای اصلی





2 |

English ..... Page 3  
عربي ..... صفحة 19  
فارسی ..... صفحه 27  
CE ..... 1



## English

### Safety Notes

#### Explanation of symbols



General hazard safety alert.



Never direct the water jet at people, animals, the unit or electric components.

Warning: High pressure jets can be dangerous if subject to misuse.



**According to the applicable regulations, the appliance must never be used on the drinking water network without a system separator. Use a separator as per IEC 61770 Type BA.**

**Water flowing through a system separator is considered not drinkable.**

#### Safety Notes for pressure washer



**Read all safety warnings and all instructions.** Failure to follow the warnings and instructions may result in electric shock, fire and/or serious injury.

**The warning and information signs attached to the unit provide important information for safe operation. Apart from the information in the operating instructions comply with the general safety regulations and regulations for the prevention of accidents.**

#### Connecting to the mains

- ▶ The voltage indicated on the rating plate must correspond to the voltage of the power source.

- ▶ We recommend that this equipment is only connected into a socket which is protected by a circuit-breaker that would be actuated by a 30 mA residual current.

- ▶ Remove the plug from socket whenever the machine is left unattended for any period.

- ▶ The electric supply installation should comply with IEC 60364-1.

- ▶ If the supply cord is damaged, it must be replaced by the manufacturer, its service agent or similarly qualified persons in order to avoid a hazard.

- ▶ If the plug is damaged, pay attention to the following:

- ▶ Plugs and sockets situated near the work site or outdoors should be to class IP 55 of BS 5490 to provide adequate protection against ingress of water, etc. and cable entries require effective sealing. Rubber shrouds should be provided over cable glands. Drip-proof (class IP X2 of BS 5490) plugs and sockets to BS 4343 are suitable for use indoors where the plug is away from the water spray area where the appliance is in use.

- ▶ Never touch the mains plug with wet hands.

- ▶ Do not pull plug while operating the device.

- ▶ Do not run over, crush or pull the power supply cord or extension cord, otherwise it may be damaged. Protect the cable from heat, oil and sharp edges.

- ▶ Do not use the unit, if the power supply cord or important parts, e. g.

## 4 | English

high-pressure hose, power gun or safety devices are damaged.

- ▶ Warning: Inadequate extension cords can be dangerous.
- ▶ If an extension cord is used, the plug and socket must be of watertight construction. The extension cord must have a cross section in accordance with the operating instructions and be protected against splashed water. The connection must not be in water.
- ▶ When replacing plugs on the power supply cable or extension lead the spray water guard and mechanical stability must remain intact.

**Water connection**

- ▶ Comply with the regulations of your water supply company.
- ▶ All connecting hoses must have properly sealed joints.
- ▶ Make sure that the supply hose is at least 12.7 mm (1/2") in diameter and is reinforced.
- ▶ The appliance should never be used on the drinking water supply without a back flow valve. Water which has passed the back flow valve is regarded as undrinkable.
- ▶ The high-pressure hose must not be damaged (danger of bursting). A damaged high-pressure hose must be replaced immediately. Only use hoses and connections recommended by the manufacturer.
- ▶ High-pressure hoses, fittings and couplings are important for the safety of the appliance. Use only hoses, fittings and couplings recommended by the manufacturer.

- ▶ Only clean or filtered water should be used for intake.

**Application**

- ▶ Before use, check that the unit and operating equipment are in perfect condition and are safe to operate. Do not use the unit if it is not in perfect condition.
- ▶ Do not direct the jet against yourself or others in order to clean clothes or footwear.
- ▶ Do not use solvent-containing liquids, undiluted acids, acetone or solvents! This includes petrol, paint thinners, heating oil. The sprayed vapour is highly flammable, explosive and toxic.
- ▶ The appropriate safety regulations must be observed when using the unit in dangerous areas (e. g. petrol stations). It is forbidden to operate the unit in potentially explosive locations.
- ▶ The unit must be placed on a solid base.
- ▶ Take care if using the machine in a confined space ensuring that there is adequate ventilation. Ensure that all vehicles are switched off at all times whilst cleaning.
- ▶ Do not operate from a ladder. Take care when using the machine on balconies or other raised areas ensuring that you can see any edges at all times.
- ▶ Only use detergents recommended by the manufacturer. Comply with the application, disposal and warning instructions of the detergent manufacturers.

- ▶ All current-conducting components in the working area must be protected against splashed water.
- ▶ The gun trigger must not be jammed in position "ON" during operation.
- ▶ Wear suitable protective clothing to protect against splash water. Do not use the machine in reach of persons, unless these are also wearing protective clothing.
- ▶ If necessary wear personal protective equipment (PPE) e. g. safety goggles, breathing protection etc to protect against water, particles and/or aerosols sprayed back from parts.
- ▶ **During use of high pressure cleaners, aerosols may be formed.** Inhalation of aerosols can be hazardous to health.
- ▶ High pressure may cause objects to rebound. If necessary wear suitable personnel protective equipment such as safety goggles.
- ▶ Vehicle tyres/tyre valves may only be cleaned from a minimum distance of 30 cm in order to avoid damages by the high-pressure jet. The first indication of damage is the discolouration of the tyre. Damaged vehicle tyres/tyre valves are dangerous to life.
- ▶ Materials containing asbestos and other materials which contain substances which are hazardous to your health must not be sprayed.
- ▶ Detergents must not be used undiluted. The products are safe to use as they contain no acids, alkalis or substances which are detrimental to the environment. We recommend that the detergents are kept out of the reach of children. If detergent comes into contact with the eyes, wash immediately with plenty of water and if swallowed contact a doctor immediately.
- ▶ **Never use the power washer without water filter, or with a contaminated or damaged water filter.** Using the power washer without water filter or with a contaminated or damaged water filter shall void the warranty.
- ▶ Metal parts may become hot after prolonged usage, if necessary wear protective gloves.
- ▶ Avoid high pressure washing in bad weather conditions especially when there is a risk of lightning.

### Operation

- ▶ The operator must use the unit in accordance with the regulations. He/she must take local conditions into account and be aware of other people, especially children, when operating the unit.
- ▶ The unit may only be used by authorised persons who have received training or have demonstrated their ability to operate the unit. The unit must not be operated by children or juveniles (danger of accidents due to incorrect use of the unit).
- ▶ Never allow children, persons with physical, sensory or mental limitations or a lack of experience and/or knowledge and/or people unfamiliar with these instructions to use the ma-

## 6 | English

chine. Local regulations may restrict the age of the operator.

- ▶ Children should be supervised to ensure that they do not play with the machine.
- ▶ The unit must never be left unsupervised while the unit is switched on.
- ▶ The water jet from the high-pressure nozzle produces a recoil on the gun. You should therefore hold the gun and spray lance firmly.
- ▶ The product should not be held by the operator whilst in operation and should be kept in an upright position as illustrated within this manual when placed on the ground.

### Transport

- ▶ Switch off the motor and secure the unit before transporting.

### Maintenance






- ▶ Switch off the unit prior to all cleaning and maintenance work and before replacing components. Pull out the mains plug if the unit is mains-operated.
- ▶ Repairs may only be carried out by authorised Bosch Service Centres.

### Accessories and spare parts

- ▶ Accessories and spare parts which have been approved by Bosch must be used. Original accessories and spare parts guarantee that the unit can be operated safely and without any breakdowns.

### Symbols

The following symbols are important for reading and understanding the operating instructions. Please take note of the symbols and their meaning. The correct interpretation of the symbols will help you to use the machine in a better and safer manner.

Symbol	Meaning
	Movement direction
	Weight
	On
	Off
	Accessories

### Intended Use

The product is intended for cleaning areas and objects outside the house, tools, vehicles and boats, if the appropriate accessories such as cleaning agents approved by Bosch are used.

Intended use is related to operation within 0°C and 40°C ambient temperature.

This product should not be used for professional use.

The product should not be held by the operator whilst in operation and should be kept in an upright position as illustrated within this manual when placed on the ground.

### Technical Data

Pressure washer	EasyAquatak 100	
Article number		3 600 H47 E..
Rated power	kW	1.2
Supply temperature max.	°C	40
Supply rate min.	l/min	5.5
Allowable pressure	MPa	10
Rated pressure	MPa	6.7
Rated Flow	l/min	4.8
Maximum inlet pressure	MPa	1
Autostop function		●
Weight according to EPTA-Procedure 01:2014	kg	3.7
Protection class		□/II
Serial number	See serial number (rating plate) on pressure washer.	

The values given are valid for a nominal voltage [U] of 230 V. For different voltages and models for specific countries, these values can vary.

Starting cycles generate brief voltage drops. Interference with other equipment/machines may occur in case of unfavourable mains system conditions. Malfunctions are not to be expected for system impedances below 0.153 ohm.

## Noise/Vibration Information

Sound emission values determined according to EN 60335-2-79.

Typically the A-weighted noise levels of the product are:  
Sound pressure level 79 dB(A); sound power level 91 dB(A).  
Uncertainty K = 3 dB.

### Wear hearing protection!

Vibration total values  $a_h$  (triax vector sum) and uncertainty K determined according to EN 60335-2-79:  
 $a_h = 1.3 \text{ m/s}^2$ ,  $K = 0.6 \text{ m/s}^2$ .

## Mounting and Operation

Action	Figure	Page
Delivery Scope	1	28
Connecting high pressure water supply hose/nozzle	2	29
Connecting to the water supply	3	29
Connect detergent bottle	4	30
Switching On and Off	5	31
Adjust water jet	6	31
Setting Handle Angle	7	32
Working Advice	8	33
Clean nozzle	8	33
Clean the water filter	9	33
Storage	10	34
Selecting Accessories	11	35

## Starting

### Electrical Safety



**Warning! Switch off, remove plug from mains before adjusting, cleaning or if cable is cut, damaged or entangled.**

Your machine is double insulated for safety and requires no earth connection. The operating voltage is 230 V AC, 50 Hz (for some non-EU countries 220 V, 240 V as applicable).

For increased electrical safety use a Residual Current Device (RCD) with a tripping current of not more than 30 mA. Always check your RCD every time you use it.

The supply cables must be inspected for signs of damage at regular intervals and may only be used if in perfect condition. If the replacement of the supply cord is necessary, this has to be done by Bosch or an authorized Bosch service agent in order to avoid a safety hazard.

Only use approved extension cables.



**WARNING! Inadequate extension cables can be dangerous. Extension cable, plug and socket must be of watertight construction and intended for outdoor use.**

Extension cords, cables, leads, reels should only be used if they comply with EN 61242/IEC 61242 or IEC 60884-2-7.

If you want to use an extension cable when operating your product, only the following cable dimensions should be used:

- Nominal Conductor Area of  $1.5 \text{ mm}^2$  to a max. cable length of 20 m for a Cord Extension Set

The connections (plugs and sockets) should be kept dry and off the ground.

It is recommended that this is accomplished by means of a cord reel which keeps the socket at least 60 mm above the ground.

Note: If an extension cable is used it must be earthed and connected through the plug to the earth cable of your supply network in accordance with prescribed safety regulations.

Refer to the instruction manual of the extension cord, lead, reel manufacturer and your local wiring regulations.

If in doubt contact a qualified electrician or the nearest Bosch Service Centre.

For products **not sold in GB:**

**WARNING:** For your safety, it is required that the plug attached to the product is connected with the extension cord. The coupling of the extension cord must be protected against splash water, be made of rubber or coated with rubber. The extension cord must be used with a cable strain relief.

**Products sold in GB only:** Your product is fitted with a BS 1363/A approved electric plug with internal fuse (ASTA approved to BS 1362).

If the plug is not suitable for your socket outlets, it should be cut off and an appropriate plug fitted in its place by an authorised customer service agent. The replacement plug should have the same fuse rating as the original plug.

The severed plug must be disposed of to avoid a possible shock hazard and should never be inserted into a mains socket elsewhere.

**Products sold in AUS and NZ only:** Use a residual current device (RCD) with a rated residual current of 30 mA or less.

## Operation

- ▶ **To prevent damage to the appliance, do not allow it to operate dry.**

### Starting

Attach water supply hose (not supplied) to the mains water supply and machine.

Connect the product to the mains supply ensuring that the mains switch is in the off position.

Open water tap.

Press the safety lock (back button on the gun handle) to release the trigger. Fully press the trigger until there is a constant flow of water to clear the air from the machine and water supply hose. Release trigger. Press the safety lock (front button on the gun handle).

Turn button on main switch. Point the power gun downwards. Press the trigger safety lock to release the trigger. Fully press the trigger.

## 8 | English

**Autostop function**

The machine is designed to switch off the motor when the trigger is released on the gun.

**Working Advice****General**

Ensure that the pressure washer is on level ground.

Do not overreach with the high pressure hose or move the pressure washer by pulling the hose, this could cause the machine to become unstable and fall over.

Do not kink or drive a motor vehicle over the high pressure hose. Do not expose the high pressure hose to sharp edges or corners.

**Working advice for cleaning with detergents**

► **Only use cleaning agents suitable specifically for high pressure washers.**

We recommend that you use detergent sparingly for the sake of the environment. Observe the recommended dilution on the detergent label.

The high-pressure foam nozzle supplied with this product includes a regulator to control detergent use. Adjust as required.

**Recommended cleaning method**

**Step 1:** Remove the heavy dirt.

**Step 2:** Attach the foam bottle and spray on the detergent sparingly.

**Step 3:** Rinse off the loosened dirt and detergent with the wide fan jet.

**Note:** When cleaning vertical surfaces, apply the detergent from bottom to top. When rinsing off, work from top to bottom.

**Use with alternative water sources**

The power washer is self-priming and enables water to be drawn in from containers or natural water sources. It is **IMPORTANT** that the water filter is in clean condition when inserting it at the water inlet, and that only clean water is drawn in.

**Open tanks/containers and natural water sources**

Use the Self Priming accessory kit comprising:

- Inlet strainer with non return valve
- 3 m reinforced supply hose
- Universal coupling to the pressure washer

This enables the pressure washer to draw water up to 0.5 m above the water level in the source in approximately 15 seconds.

Fully immerse the 3 m hose into the water to displace the air in the hose. Connect the 3 m hose to the power washer and make sure that the inlet strainer remains under water.

With the spray gun removed, switch the power washer on and operate it until water flows uniformly out of the high-pressure hose. If no water is coming out of the high-pressure hose after 25 seconds, switch the power washer off and check all connections. As soon as water flows out of the high-pressure hose, switch the power washer off and connect the spray gun and spray lance to begin with the work.

It is important that hose and couplings are of good quality and are tightly connected, and that the seals are undamaged and properly inserted. Loose connections can impede the priming (drawing in).

**Water Tanks with outlet connections**

When connecting the pressure washer to a water tank with a suitable tap outlet, first connect the supply hose (not provided) to the tank outlet, open the tap to allow the water to displace all the air in the hose and then connect to the pressure washer.

**Troubleshooting**

Problem	Possible Cause	Corrective Action
Motor refuses to start	Plug not connected	Connect plug
	Mains socket faulty	Use another socket
	Fuse faulty/blown	Replace fuse
	Extension cable damaged	Try without extension cable
	Motor protector has activated	Allow to cool for 15 minutes
Motor stops	Fuse faulty/blown	Replace fuse
	Wrong mains voltage	Check that mains voltage corresponds to specifications on the model tag
	Motor protector has activated	Allow to cool for 15 minutes
Fuses blow	Fuses incorrectly rated	Change to a mains supply higher than the pressure washer amp consumption
Motor starts but no pressure	Nozzle partly blocked	Clean nozzle



Problem	Possible Cause	Corrective Action
Motor "sounds" but fails to start	Insufficient power supply	Check that the voltage of the mains power supply line is the same as that on the plate
	Voltage loss due to use of extension cable	Check characteristics of extension cable
	Appliance not used for a long period of time	Contact your Bosch Service Centre
	Problems with TSS (Total Stop System) device	Contact your Bosch Service Centre
Pressure pulsating	Air in the inlet water supply hose/pump	Allow pressure washer to run with open spray handle and nozzle at low pressure until regular working pressure is obtained
	Inadequate water supply	Check that the water supply corresponds to specifications. The minimum specification for the water supply hose is 1/2" or 13 mm diameter
	Water filter blocked	Clean water filter
	Water supply hoses squeezed	Straighten out kinked water supply hoses
	High pressure hose too long	Remove high pressure extension hose. Retry (extension hose max. 7 m)
Pressure too low, but steady Note: Several types of accessory will normally deliver a lower pressure	Nozzle worn	Change the nozzle
	Start/stop valve worn	Activate trigger five times in quick succession
Motor starts up but with restricted or no working pressure	No water supply	Connect water supply
	Water filter clogged up	Clean the water filter
	Nozzle clogged up	Clean nozzle
The pressure washer starts irregularly by itself	Pump/spray gun leaky	Contact your Bosch Service Centre
Water leaks from machine	Leaking pump	A slight water leak is permissible; in case of excessive leak, contact Bosch Service Centre

## Maintenance and Service

### Maintenance

► **Stop, remove plug from the power supply and disconnect from water supply.**

**Note:** To ensure long and reliable service, carry out the following maintenance regularly.

Regularly check for obvious defects such as loose fixings, and worn or damaged components.

Check that covers and guards are undamaged and correctly fitted. Carry out necessary maintenance or repairs before using.

If the replacement of the supply cord is necessary, this has to be done by Bosch or an authorized Bosch service agent in order to avoid a safety hazard.

### After use/Storage

Turn the main switch off and operate the trigger to drain the water from the high pressure hose.

Clean the exterior of the machine thoroughly using a soft brush or cloth. Do not use water, solvents or polishes. Remove all debris, especially from the ventilation slots.

End of season storage: Drain water out of pump running motor for a few seconds. Pull trigger to release all water.

Do not place other objects on top of the machine.

Store in a frost-free area.

Ensure cables are not trapped when storing. Do not kink high pressure hose.

### After-sales Service and Application Service

**www.bosch-do-it.com**

In all correspondence and spare parts orders, please always include the 10-digit article number given on the type plate of the machine.

**10 | English****Great Britain**

Robert Bosch Ltd. (B.S.C.)  
 P.O. Box 98  
 Broadwater Park  
 North Orbital Road  
 Denham  
 Uxbridge  
 UB 9 5HJ

At [www.bosch-pt.co.uk](http://www.bosch-pt.co.uk) you can order spare parts or arrange the collection of a product in need of servicing or repair.

Tel. Service: (0344) 7360109

E-Mail: [boschservicecentre@bosch.com](mailto:boschservicecentre@bosch.com)

**Ireland**

Origo Ltd.  
 Unit 23 Magna Drive  
 Magna Business Park  
 City West  
 Dublin 24  
 Tel. Service: (01) 4666700  
 Fax: (01) 4666888

**Australia, New Zealand and Pacific Islands**

Robert Bosch Australia Pty. Ltd.

Power Tools  
 Locked Bag 66  
 Clayton South VIC 3169  
 Customer Contact Center  
 Inside Australia:  
 Phone: (01300) 307044  
 Fax: (01300) 307045

Inside New Zealand:  
 Phone: (0800) 543353  
 Fax: (0800) 428570

Outside AU and NZ:  
 Phone: +61 3 95415555  
[www.bosch-pt.com.au](http://www.bosch-pt.com.au)  
[www.bosch-pt.co.nz](http://www.bosch-pt.co.nz)

**Republic of South Africa****Customer service**

Hotline: (011) 6519600

**Gauteng – BSC Service Centre**

35 Roper Street, New Centre  
 Johannesburg  
 Tel.: (011) 4939375  
 Fax: (011) 4930126  
 E-Mail: [bsctools@icon.co.za](mailto:bsctools@icon.co.za)

**KZN – BSC Service Centre**

Unit E, Almar Centre  
 143 Crompton Street  
 Pinetown  
 Tel.: (031) 7012120  
 Fax: (031) 7012446  
 E-Mail: [bsc.dur@za.bosch.com](mailto:bsc.dur@za.bosch.com)

**Western Cape – BSC Service Centre**

Democracy Way, Prosperity Park  
 Milnerton  
 Tel.: (021) 5512577  
 Fax: (021) 5513223  
 E-Mail: [bsc@zsd.co.za](mailto:bsc@zsd.co.za)

**Bosch Headquarters**

Midrand, Gauteng  
 Tel.: (011) 6519600  
 Fax: (011) 6519880  
 E-Mail: [rbsa-hq.pts@za.bosch.com](mailto:rbsa-hq.pts@za.bosch.com)

**Environmental Protection**


Chemicals dangerous to the environment must not be allowed to enter the ground, ground water or ponds, streams, etc.

For the use of cleaning agents, observe the instructions on the package and the prescribed concentration exactly.

For the cleaning of motor vehicles the local regulations should be observed: Do not allow oil sprayed off to enter into the ground water. Recycle raw materials instead of waste disposal.

**Disposal**

The pressure washer, accessories and packaging should be sorted for environmental-friendly recycling.

 Do not dispose of pressure washers into household waste!

**Only for EC countries:**

According to the European directive 2012/19/EU for Waste Electrical and Electronic Equipment and its implementation into national law, electrical and electronic equipment that are no longer usable must be collected separately and disposed of in an environmentally correct manner.

**Subject to change without notice.**

## التخلص من العدة الكهربائية

يجب التخلص من منظم الضغط العالي والتوابع والتغليف بطريقة منصفة بالبيئة عن طريق التدوير.

لا ترم منظم الضغط العالي في النفايات المنزلية!



### لدول الاتحاد الأوروبي فقط:

حسب التوجيه الأوروبي EU/2012/19/2012 بصدد الأجهزة الكهربائية والإلكترونية القديمة وتطبيقه على الأحكام المحلية، يجب أن يتم جمع الأجهزة الكهربائية والإلكترونية القديمة الغير صالحة للاستعمال على انفراد ليتم التخلص منها بطريقة منصفة بالبيئة عن طريق التدوير.

نحتفظ بحق إدخال التعديلات.

### سوريا

شركة الدلال للأدوات الفنية  
البريد: 1030

حلب

هاتف: +963 212116083

البريد الإلكتروني: rita.dallal@hotmail.com

### تونس

شركة روبرت بوش المحدودة بتونس

7 شارع ابن بطوطة زد. أي. سان جوبان

مقرين الرياض

2014 بن عروس

هاتف: +216 71 427 496/879

فاكس: +216 71 428 621

البريد الإلكتروني: sav.outillage@tn.bosch.com

### الإمارات العربية المتحدة

Central Motors & Equipment LLC

البريد: 1984

شارع الوحدة - مبنى السناء

الشارقة

هاتف: +971 6 593 2777

فاكس: +971 6 533 2269

البريد الإلكتروني: powertools@centralmotors.ae

### اليمن

مجموعة أبو الرجال التجارية

شارع سناء الزبيري أمام مبنى البرلمان الجديد

هاتف: +967 1 202010

فاكس: +967 1 279029

البريد الإلكتروني: tech-tools@abualrejal.com

## حماية البيئة

لا يجوز أن تصل المواد الكيميائية المضرّة بالبيئة إلى الأرض والمياه الجوفية والبحيرات والأنهر وإلخ.

تقيد بالمعلومات المذكورة على الغلاف وبالتركيز المطلوب بشكل دقيق عند استخدام مواد التنظيف.

تراعى الأحكام المحلية عند تنظيف السيارات ذات المحرك:

يمنع وصول الزيوت التي تم إزالتها بالبخ إلى المياه الجوفية.

## الصيانة والخدمة

### الصيانة

◀ اسحب قابس الشبكة الكهربائية وفك وصلة الامداد بالماء قبل البديء بأية أعمال على الجهاز.

**ملاحظة:** طبق أعمال الصيانة التالية بشكل منتظم، لكي تضمن مدة استعمال طويلة وموثوقة.

افحص الجهاز بشكل منتظم بحثاً عن العيوب الواضحة، كالوصلات المنحلة والقطع المستهلكة أو التالفة.

افحص عما إن كانت الأغذية وتجهيزات الوقاية سليمة وإن تم تثبيتها بالشكل الصحيح. نفذ أعمال الصيانة والتصليح الضرورية قبل الاستخدام إن تطلب الأمر ذلك.

إن تطلب الأمر استبدال خط الامداد، فينبغي أن يتم ذلك من قبل شركة بوش أو من قبل مركز خدمة زبائن وكالة بوش للعدد الكهربائية، لتجنب التعرض للمخاطر.

### بعد الاستخدام/الغزن

اطفئ مفتاح التشغيل والإطفاء واكبس الزناد من أجل تفريغ خرطوم الضغط العالي.

نظف منظف الضغط العالي من الخارج بواسطة فرشاة طرية وقطعة قماش. لا يجوز استعمال الماء أو المواد المحللة أو مواد الصقل. أزل جميع الأوساخ ولاسيما عن شقوق تهوية المحرك.

التخزين بنهاية الموسم. أفرغ الماء من المضخة بشكل كامل من خلال إدارة المحرك لعدة ثوان مع الضغط على الزناد. لا تترك أية أغراض أخرى على منظف الضغط العالي.

اغزن الجهاز بمحيط خال من الصقيع.

احرص على عدم ثني الكبلات أثناء التخزين. لا تلوي خرطوم الضغط العالي.

### خدمة الزبائن ومشورة الاستخدام

[www.bosch-do-it.com](http://www.bosch-do-it.com)

يرجى ذكر رقم الصنف بالمراتب العشر حسب لائحة طراز الجهاز بشكل ضروري عند الاستشارة وعند إرسال طلبيات قطع الغيار.

### الجزائر

سيستال

المنطقة الصناعية احدادن  
بجاية 06000

هاتف: +213 (0) 982 400 991/2

فاكس: +213 (0) 3 420 1569

البريد الإلكتروني: [sav@siestal-dz.com](mailto:sav@siestal-dz.com)

### البحرين

حاتم الجفالي للمعدات الفنية

مملكة البحرين

هاتف: +966 126971777-311

فاكس: +973 17704257

البريد الإلكتروني: [h.berjas@eajb.com.sa](mailto:h.berjas@eajb.com.sa)

### مصر

يونيمار

رقم 20 مركز الخدمات

التجمع الاول - القاهرة الجديدة - مصر

هاتف: +2 02 224 76091-95/+ 2 02 224 78072-73

فاكس: +2 02 224 78075

البريد الإلكتروني: [adelzaki@unimaregypt.com](mailto:adelzaki@unimaregypt.com)

### العراق

مجموعة شركات الصهبا للتكنولوجيا

شارع مطار المثنى

بغداد

هاتف: +964 7901906953

هاتف (دبي): +971 43973851

البريد الإلكتروني: [bosch@sahbatechnology.com](mailto:bosch@sahbatechnology.com)

### الأردن

Roots Arabia - Jordan

شارع ناصر بن جميل

بناية رقم 37 الرابعة

11194 عمان

هاتف: +962 6 5545778

البريد الإلكتروني: [bosch@rootsjordan.com](mailto:bosch@rootsjordan.com)

### الكويت

القرين لتجارة السيارات

المنطقة الصناعية شويخ

البريد: 164 - صفت 13002

هاتف: +966 24810844

فاكس: +966 24810879

البريد الإلكتروني: [josephkr@aaalmutawa.com](mailto:josephkr@aaalmutawa.com)

### لبنان

Tehini Hana & Co. S. A. R. L.

بريد: 499-90 جديد

دورا بيروت

هاتف: +961 1255211

البريد الإلكتروني: [service-pt@tehini-hana.com](mailto:service-pt@tehini-hana.com)

### المغرب

شركة روبرت بوش المحدودة بالمغرب

53، زنقة الملازم محمد محروض

20300 الدار البيضاء

البريد الإلكتروني: [sav.outillage@ma.bosch.com](mailto:sav.outillage@ma.bosch.com)

### عمان

Malatan Trading & Contracting LLC

البريد: 131

سلطنة عمان

هاتف: +968 99886794

البريد الإلكتروني: [malatanpowertools@malatan.net](mailto:malatanpowertools@malatan.net)

### قطر

International Construction Solutions W L L

البريد: 51 الدوحة

قطر

هاتف: +974 40065458

فاكس: +974 4453 8585

البريد الإلكتروني: [csd@icsdoha.com](mailto:csd@icsdoha.com)

### المملكة العربية السعودية

إبراهيم الجفالي وأخوانه للمعدات الفنية

البوادي

شارع المدينة المنورة، كيلو 14

جدة 21431، المملكة العربية السعودية

هاتف: +966 2 667222

فاكس: +966 2 6676308

البريد الإلكتروني: [roland@eajb.com.sa](mailto:roland@eajb.com.sa)

## البحث عن الأخطاء

الأعراض	السبب المحتمل	الحل
المحرك لا يشتغل	لم يتم وصل القابس	اربط القابس
	المقيس تالف	استخدم مقيس آخر
	تم إطلاق المصهر	استبدل المصهر
	كبل التمديد تالف	حاول بلا كبل التمديد
	تم إطلاق واقية المحرك	اسمح للمحرك أن يبرد لمدة 15 د
	هناك تجعد	اسمح بإذابة التجمد عن المضخة وخرطوم الماء والتوايح
المحرك يتوقف	تم إطلاق المصهر	استبدل المصهر
	جهد الشبكة الكهربائية غير صحيح	افحص جهد الشبكة الكهربائية، يجب أن يوافق المعلومات المذكورة على لافتة الطراز
	تم إطلاق واقية المحرك	اسمح للمحرك أن يبرد لمدة 15 د
يتم إطلاق المصهر	المصهر شديد الضعف	يتم الوصل بمنبع تيار كهربائي تم وقايته بشكل يلائم قدرة منظم الضغط العالي
المحرك يعمل ولكن لا يوجد ضغط	المنفث مسدود جزئياً	تنظيف المنفث
صوت المحرك متوفر ولكن بلا عمل	جهد تيار الشبكة الكهربائية غير كافي	افحص توافق جهد الشبكة الكهربائية مع المعلومات المذكورة على لافتة الطراز.
	الجهد شديد الانخفاض بسبب استخدام كبل تمديد	افحص صلاحية كبل التمديد
	لم يتم استخدام الجهاز لفترة طويلة	اتصل بخدمة وكالة شركة بوش
	مشاكل بوظيفة الإيقاف الآلي	اتصل بخدمة وكالة شركة بوش
الضغط ينضب	هواء في خرطوم الماء أو المضخة	يدار منظم الضغط العالي مع فتح فرد البغ وصنوبر الماء وضبط المنفث على الضغط المنخفض إلى حد التوصل إلى ضغط عمل منتظم
	الامداد بالماء غير سليم	افحص عما إن كان امداد الماء يوافق المعلومات المذكورة في البيانات الفنية. إن أصغر خراطيم الماء المسموح استعمالها هي 1/2 إنش أو 13 Ø مم
	مرشح الماء مسدود	نظف مرشح الماء
	خرطوم الماء مثني أو ملتوي	مد خرطوم الماء بشكل مستقيم
	خرطوم الضغط العالي أطول من المسموح	فك تمديد خرطوم الضغط العالي، طول خرطوم الماء الأقصى 7 م
الضغط منتظم ولكنه أدنى من المطلوب	المنفث مستهلك	استبدل المنفث
ملاحظة: بعض التوايح تؤدي إلى ضغط منخفض	صمام البدئ/التوقف مستهلك	اضغط على الزناد بسرعة 5 مرات متتالية
المحرك يعمل، ولكن الضغط محدود أو لا يوجد ضغط عمل	لم يتم وصل الماء	صل الماء
	المرشح مسدود	تنظيف المرشح
	المنفث مسدود	نظف المنفث
منظم الضغط العالي يبدأ بالإدارة من تلقاء نفسه	المضخة أو فرد البغ يسرب	اتصل بخدمة وكالة شركة بوش
الجهاز يسرب	المضخة تسرب	تسرب ماء بسيط مسموح. اتصل بخدمة الزبائن إن كان التسرب كبير

## اسلوب التنظيف المنصوح

- الخطوة 1:** أزل الأوساخ الخشنة.
- الخطوة 2:** ركب قارورة المواد التنظيفية وضع القليل من المواد التنظيفية.
- الخطوة 3:** اشطف الأوساخ المنحلة والمواد التنظيفية بواسطة شعاع السطوح العريض.
- ملاحظة:** ابدأ ببخ المواد التنظيفية/الأوساخ من الأسفل عند تنظيف السطوح العمودية وانتقل شيئاً فشيئاً نحو الأعلى. أما عند إزالة الأوساخ فابدأ من الأعلى وانتقل شيئاً فشيئاً نحو الأسفل.

## الاستعمال بمصادر مائية بديلة

يتميز منظم الضغط العالي هذا بالشفط الذاتي ويسمح بشفط الماء من الأوعية أو من المصادر الطبيعية. من **الهام** أن يكون قد تم تركيب وتنظيف مرشح بوش بمدخل الماء، وأن يتم شفط الماء النقي فقط.

## الخزانات/الأوعية المفتوحة والمياه الطبيعية

استخدم توابع الشفط الذاتي التي تتألف من:

- مصفاة الشفط مع الصمام اللارجعي
- خرطوم شفط مقوى 3 م
- قارورة عامة لمنظم الضغط العالي

تسمع هذه التوابع لمنظم الضغط العالي بشفط الماء من ارتفاع 0,5 م فوق مستوى الماء. قد يستغرق ذلك 15 ثا تقريبا.

اغس خرطوم الـ 3 م في الماء بشكل كامل من أجل إزالة الهواء. اربط خرطوم الشفط 3 م بمنظم الضغط العالي، واحرص على إبقاء مصفاة الشفط تحت الماء.

شغل منظم الضغط العالي بعد فك فرد البخ إلى أن يتدفق الماء من خرطوم الضغط العالي بشكل منتظم. إن لم يتدفق الماء بعد 25 ثا، اطفته وافحص جميع الوصلات. إن تدفق الماء، فاطمئن منظم الضغط العالي وركب فرد البخ وحرية البخ للبدء بالعمل.

في بالغ الأهمية أن يكون الخرطوم وأيضا القارنات من نوعية جيدة وأن تكون مرتبطة بطريقة مانعة للتسريب وأن تكون جميع الفلك سليمة وغير تالفة ومركبة بشكل مستقيم. إن الوصلات التي تقوم بالتسريب قد تعيق عملية الشفط.

## وعاء الماء مع صنوبر التفريغ

إن كان من المرغوب وصل منظم الضغط العالي بخزان مزود بصنوبر تفريغ مناسب، توجب وصل خرطوم ماء (غير متضمن بإطار التسليم) بالصنوبر أولا. افتح الصنوبر لإزاحة الهواء من الخرطوم بشكل كامل ثم اربطه بمنظم الضغط العالي.

## التشغيل

◀ يراعى بأن هذا الجهاز لا يجوز أن يعمل بلا ماء.

## التشغيل

اربط خرطوم الماء (غير مرفق) بمنبع الامداد بالماء وبالجهاز. تأكد من ضبط مفتاح الشبكة الكهربائية على وضع "0" وصل الجهاز بالمقبس. افتح صنوبر الماء.

اكبس قفل منع التشغيل (المفتاح الخلفي بمقبض الفرد) لإطلاق سراح الزناد. اضغط على الزناد بشكل كامل إلى أن يتدفق الماء بانتظام وحتى لا يبقى أي هواء في الجهاز وفي خرطوم الضغط العالي. اترك الزناد. اكبس قفل منع التشغيل (المفتاح الأمامي بمقبض الفرد). افتل مفتاح الشبكة الكهربائية. وجه فرد البخ نحو الأسفل. اكبس قفل منع التشغيل لإطلاق سراح الزناد. اضغط على الزناد بشكل كامل.

## وظيفة إيقاف الآلي

يطغى الجهاز الممرح فور إطلاق الزناد بمقبض المسدس.

## ملاحظات شغل

### عام

احرص على ركن منظم الضغط العالي على أرضية مستوية. لا تقترب بخرطوم الضغط العالي نحو الأمام بشكل زائد كما لا تسمح بمنظم الضغط العالي من قبل الخرطوم. قد يؤدي ذلك إلى عدم وقوف منظم الضغط العالي بثبات، فيسقط ويقلب.

لا تثن خرطوم الضغط العالي ولا تعبره بسيارة. احم خرطوم الضغط العالي من الحواف أو الزوايا الحادة.

## ملاحظات عمل من أجل العمل مع المواد

### التنظيفية

◀ استخدم فقط المواد التنظيفية المخصصة بشكل صريح لأجهزة التنظيف بالضغط العالي.

إننا ننصح باستخدام المواد التنظيفية بطريقة اقتصادية حفاظا على البيئة. تراعى نصائح التخفيف المدونة على القارورة.

لقد تم تزويد منث الرغوة بالضغط العالي المرفق بهذا المنتج بمنظم لضبط مادة التنظيف. يتم الضبط حسب الطلبي.

## بدء التشغيل

### الأمان الكهربائي

**انتبه!** اطفئ جهاز الحديقة قبل إجراء أعمال الصيانة والتنظيف واسحب قابس الشبكة الكهربائية. يطبق ذلك أيضا في حال تلف أو قطع أو التلف الكبل الكهربائي.



تم عزل جهاز الحديقة عزلا واقيا لحمايتك وهو لا يحتاج إلى التأريض. يبلغ جهد التشغيل 230 فولط تيار متناوب، 50 هرتز (لغير دول الاتحاد الأوروبي أيضا 220 فولط أو 240 فولط).

استخدم مفتاح للوقاية من التيار المتخلف (RCD (FI) بتيار متخلف يبلغ 30 ميلي أمبير لزيادة الأمان. ينبغي أن يفحص مفتاح الوقاية هذا قبل كل استعمال.

يجب أن يتم فحص كبلات الشبكة الكهربائية وكبلات التمديد بشكل منتظم على ظهور علامات التلف وبجوز استخدامها فقط إن كانت بحالة سليمة.

إن تطلب الأمر استبدال خط الامداد، فينبغي أن يتم ذلك من قبل شركة بوش أو من قبل مركز خدمة زبائن وكالة بوش للعدد الكهربائية، لتجنب التعرض للمخاطر. استخدم فقط كبلات التمديد المرخصة.

**احترس!** إن كبلات التمديد المخالفة للأحكام قد تكون خطيرة. يجب أن تكون كبلات التمديد والقوابس والقارات من النوعية المعزولة ضد الماء والمخصصة للاستعمال الخارجي.



استخدم فقط كبلات وخطوط التمديد أو ملفات الكبلات المطابقة للمعايير EN 61242 أو IEC 61242 أو IEC 60884-2-7.

إن أردت أن تستخدم كبل تمديد لتشغيل الجهاز، فيطلب المحافظة على أقطار النواقل التالية:

- مقطع الناقل 1,5 مم<sup>2</sup> لكبلات التمديد إلى حد طول أقصاه 20 م

ينبغي أن تكون وصلات الكبلات (كبل الشبكة الكهربائية والمقابس) جافة ولا يجب أن تكون موضوعة على الأرض.

ننصح باستخدام ملف كبلات لهذا الغرض بحيث يكون مقبسه مرتفع عن الأرض بمقدار 60 مم على الأقل.

ملاحظة: إن تم استخدام كبل تمديد، توجب أن يمتاز - كما تم وصفه بتعليمات الأمان - بناقل وقائي يتم وصله عبر القابس بالناقل الوقائي بشبكتك الكهربائية للتأريض.

تقيد بتعليمات تشغيل منتج كبل التمديد أو ملف الكبلات وأيضا بالأحكام الوطنية بخصوص استخدامها.

يفضل أن تستشير كهربائي متخصص أو مركز صيانة بوش في حال الشك.

ملاحظة للمنتجات التي لا تباع في GB:

**انتبه:** يطلب للمحافظة على أمانك أن يتم وصل القابس المركب على جهاز الحديقة بكبل التمديد. ينبغي أن يكون قد تم وقاية قارئة كبل التمديد من رذاذ الماء، وأن تكون مصنوعة من المطاط أو أن تكون مغلفة بالمطاط. ينبغي أن يتم استخدام كبل التمديد بالاتصال مع مخفف للسحب.

### منظف الضغط العالي EasyAquatak 100

ضغط الدخل الأقصى	ميغا باسكال	1
وظيفة الإيقاف الآلي		•
الوزن حسب EPTA-Procedure 01:2014	كغ	3,7
فئة الوقاية		II / □
الرقم المتسلسل	راجع الرقم المتسلسل (لافتة الطراز) على منظف الضغط العالي	

القيم سارية المفعول لجهد اسمي [U] بمقدار 230 فولط. قد تتفاوت هذه القيم عندما يختلف الجهد عن ذلك أو بطرازات خاصة ببلدان معينة.

تتبع دورات التشغيل انفاض وجيز بالجهد الكهربائي. قد يطرأ تشويش على الأجهزة الأخرى إن كانت ظروف الشبكة الكهربائية غير ملائمة. إن قلت معاوقة الشبكة عن 0,153 أوم، فلا داع لتوقع أي خلل.

## معلومات عن الضجيج والاهتزازات

قيم انبعاث الضوضاء محتسبة تبعا للمعيار EN 60335-2-79.

تبلغ قيمة مستوى ضجيج (نوع A) العدة الكهربائية عادة: مستوى ضغط صوت 79 ديسيبل (A)، مستوى قدرة الصوت 91 ديسيبل (A). التفاوت  $K = 3$  ديسيبل.

### ارتد واطية سمع!

تم حساب قيم الاهتزازات الاجمالية  $a_{hv}$  (مجموع المتجهات بثلاثة اتجاهات) والتفاوت K حسب EN 60335-2-79:  $a_{hv} = 1,3$  م/ثا<sup>2</sup>,  $K = 0,6$  م/ثا<sup>2</sup>.

## التركيب والتشغيل

هدف العمل	الصورة	الصفحة
نطاق التوريد	1	28
وصل خرطوم الضغط العالي/فرد البغ	2	29
وصل الماء	3	29
وصل قارورة المواد التنظيفية	4	30
التشغيل والإطفاء	5	31
ضبط شعاع المنفذ	6	31
ضبط زاوية العمل	7	32
ملاحظات عمل	8	33
تنظيف المنفذ	9	33
تنظيف المرشح	10	34
التخزين	11	35
اختيار التوابع		

## التوابع وقطع الغيار

◀ يجوز فقط استخدام التوابع وقطع الغيار التي يسمح باستخدامها المنتج. تضمن التوابع الأصلية وقطع الغيار الأصلية تشغيل الجهاز بشكل سليم بلا خلل.

## الرموز

إن الرموز التالية تلعب دورا هاما عند قراءة وفهم كراسة الاستعمال. احفظ الرموز ومعناها. إن تفسير الرموز بشكل صحيح يساعد على استعمال العدة الكهربائية بشكل أفضل وأكثر أمانا.

الرمز	المعنى
	اتجاه الحركة
	الوزن
	تشغيل
	إطفاء
	التوابع

## الاستعمال المخصص

لقد خصص الجهاز لتنظيف السطوح والأغراض في المجال الخارجي، والأجهزة والمركبات والقوارب، بشرط استخدام التوابع الملائمة، مثلا: مواد التنظيف المرخصة من قبل شركة بوش.

يستند الاستعمال المخصص على درجة حرارة محيطية بين 0°C و 40°C.

لا يصلح هذا المنتج للاستعمال الحرفي.

لا تمسك بالجهاز أثناء التشغيل. ينبغي أن يكون بوضعية قائمة عند ركنه على الأرض بالشكل الموضح في تعليمات التشغيل.

## البيانات الفنية

EasyAquatek 100	منظف الضغط العالي	
3 600 H47 E..	رقم الصنف	
1,2	القدرة الاسمية	كيلواط
40	الامداد الحراري الأقصى	°C
5,5	كمية الامداد الدنيا بالماء	لتر/ دقيقة
10	الضغط المسموح	ميغا باسكال
6,7	الضغط الاسمي	ميغا باسكال
4,8	التدفق	لتر/ دقيقة

القليبي الخبرة و/أو المعدومي المعركة و/أو للأشخاص الغير مطلعين على التعليمات هذه أبدا أن يستعملوا جهاز الحديقة. يجوز أن تحد الأحكام الوطنية من سن المستخدم.

◀ ينبغي مراقبة الأطفال لضمان عدم لعبهم بجهاز الحديقة.

◀ لا يجوز أبدا ترك الجهاز بلا مراقبة بعد تشغيله.

◀ تنتج صدمة ارتدادية عن شعاع الماء الخارج من منفث الضغط العالي، لذلك ينبغي إحكام القبض على فرد البخ وحرية البخ.

◀ لا تمسك بالجهاز أثناء التشغيل.

ينبغي أن يكون بوضعية قائمة عند ركنه على الأرض بالشكل الموضح في تعليمات التشغيل.

## النقل

◀ اطفئ وأمن الجهاز قبل نقله.

## الصيانة

◀ اطفئ الجهاز قبل جميع أعمال

التنظيف والصيانة واستبدال

التوابع. اسحب القابس إن

تم تشغيل الجهاز عبر الشبكة

الكهربائية.

◀ يجوز أن تتم أعمال التصليح من

قبل ورشات تصليح مركز خدمة

زبائن وكالة بوش فقط.



أو القلوبيات أو المواد المضرة بالبيئة. إننا ننصح بالاحتفاظ بالمواد التنظيفية بمكان بعيد عن منال الأطفال. اشطف العينين بالماء فوراً إن لامستا المواد التنظيفية وراجع الطبيب فوراً عند ابتلاع المواد التنظيفية.

#### ◀ لا تستخدم منظم الضغط العالي

**أبداً بلا مرشح، أو مع مرشح**

**متسخ أو مع مرشح تالف.** تلغى الكفالة عند استخدام منظم الضغط العالي بلا مرشح، أو مع مرشح متسخ أو تالف.

◀ إن الأجزاء المعدنية قد تسخن بعد الاستخدام لفترة طويلة. ارتد قفازات واقية عند الضرورة.

◀ لا تعمل بواسطة منظم الضغط العالي عندما تكون ظروف الطقس رديئة ولا سيما عند بدء العواصف.

#### التشغيل

◀ يجوز أن يتم تشغيل الجهاز من قبل المستخدم فقط طبقاً للاستعمال المخصص. ينبغي مراعاة ظروف مكان التشغيل. انتبه إلى الأشخاص الآخرين ولا سيما الأطفال أثناء أداء العمل.

◀ يجوز أن يتم استخدام الجهاز فقط من قبل الأشخاص المدربين على استخدامه واستعماله أو الذين أثبتوا على قدرتهم باستخدام الجهاز. لا يجوز أن يتم تشغيل الجهاز من قبل الأطفال أو المراهقين.

◀ لا تسمح للأطفال أو للأشخاص ذوي المقدرات الجسدية أو الحسية أو العقلية المحدودة أو

◀ يجب أن تكون جميع الأجزاء التي يسري بها تيار كهربائي في مجال العمل ذو وقاية من رذاذ الماء.

◀ لا يجوز قشط ذراع الاطلاق بفرد البغ بوضع "ON" أثناء التشغيل.

◀ ارتد ثياب الوقاية الملائمة ضد رذاذ الماء. لا تستخدم الجهاز على مقربة من الأشخاص الآخرين، إلا إذا كانوا يرتدون الثياب الواقية.

◀ ارتد عند الضرورة عتاد الوقاية الشخصي ضد رذاذ الماء، مثلاً: نظارات واقية، قناع للوقاية من الغبار وإلخ..، للاتقاء من الماء والجسيمات الدقيقة و/أو الهباء الجوي الذي قد يتم إكعاسه نموك.

#### ◀ قد يتشكل الهباء الجوي عند

**استخدام أجهزة التنظيف**

**بالضغط العالي.** إن استنشاق الهباء الجوي مضر بالصحة.

◀ إن الضغط العالي قد يجعل الأغراض ترتد. ارتد عند الضرورة عتاد وقاية شخصي ملائم، كالنظارات الواقية مثلاً.

◀ نظف إطارات السيارات/الصمامات فقط بعد أدناه 30 سم لتجنب التلف من قبال شعاع الضغط العالي. إن تغير لون الإطار هو من المؤشرات الأولى للتلف. إن إطارات السيارات/الصمامات التالفة تعرض الحياة للخطر.

◀ لا يجوز البغ على المواد المحتوية على الأسبستوس أو غيرها من المواد المضرة بالصحة.

◀ لا تستعمل مواد التنظيف دون تخفيفها. إن هذه المنتجات آمنة إذ أنها لا تحتوي على الحموض

## الاستخدام

- ◀ يجب أن يتم فحص سلامة وأمان تشغيل الجهاز والتوابع قبل الاستخدام. لا يجوز استخدامها إن لم تكن سليمة.
- ◀ لا توجه شعاع الماء على نفسك أو على غيرك بقصد تنظيف الثياب أو الأحذية.
- ◀ لا يجوز شطف السوائل التي تحتوي على المواد المحلّة، الحموض الغير ممددة، الأستون أو المواد المحلّة بما فيه البنزين، ممدد الطلاء ومازوت التدفئة، لأن رذاذ البغ الناتج عنها شديد الاشتعال والانفجار والسمية.
- ◀ يجب مراعاة أحكام الأمان الموافقة عند استخدام الجهاز في المجالات المعرضة للخطر (محطات الوقود مثلاً). يمنع التشغيل في الغرف المعرضة لخطر الانفجار.
- ◀ يجب أن تكون أرضية الجهاز ثابتة.
- ◀ احرص على توفر تهوية كافية عند الاستخدام داخل الحجرات المغلقة. تأكد من أن العربات مطفأة (المحرك مطفاً) أثناء التنظيف.
- ◀ لا تقوم بالعمل على السلم. احرص عند العمل على الشرفات أو غيرها من السطوح المرتفعة على إمكانية رؤية جميع الحواف في أو وقت.
- ◀ استعمل فقط مواد التنظيف التي ينصح باستخدامها المنتج وتقيّد بملاحظات الاستعمال والتخلص والتحذير من طرف المنتج.

يطابق مقطع الكبل المتطلبات المذكورة بتعليمات التشغيل وأن يكون قد تم وقاية الكبل من رذاذ الماء. لا يجوز أن تضع قارنّة الوصل في الماء.

◀ إن تم استبدال القوابس بكبل الامداد بالكهرباء أو بكبل التمديد، توجب المحافظة على الوقاية من رذاذ الماء وعلى المتانة الميكانيكية.

## الوصل بالماء

- ◀ تراعى أحكام مؤسسة الامداد بالماء.
- ◀ يجب أن تكون وصلات ربط خراطيم الوصل سدودة للماء.
- ◀ استخدم فقط خرطوم مقوى بقطر يبلغ 12,7 مم (1/2 إنش).
- ◀ لا يجوز أبداً أن يتم ربط الجهاز بمصدر الامداد بماء الشرب بلا صمام التدفق الرجعي. يعتبر الماء المتدفق عبر صمام التدفق الرجعي بأنه غير قابل للشرب.
- ◀ لا يجوز أن يكون خرطوم الضغط العالي تالف (خطر التصدع).
- ◀ يجب أن يتم استبدال خرطوم الضغط العالي التالف فوراً. يجوز استخدام الخراطيم والوصلات التي ينصح باستخدامها المنتج فقط.
- ◀ إن خراطيم الضغط العالي والمعدات والقارنات تلعب دوراً هاماً بالنسبة لأمان الجهاز. استخدم فقط الخراطيم والمعدات والقارنات التي ينصح باستخدامها المنتج.
- ◀ يسمح فقط باستخدام الماء النظيف أو المفلتر/المرشح بوصلة الماء.

## الوصل بالكهرباء

- ◀ يجب أن يتوافق جهد منبع التيار مع المعلومات المذكورة على لافتة طراز الجهاز.
- ◀ ينصح بوصل هذا الجهاز فقط بمقبس تم تأمينه بمفتاح 30 ميلي أمبير للوقاية من التيار المتخلف.
- ◀ اسحب القابس من المقبس حتى لو تركت الجهاز دون مراقبة لفترة قصيرة فقط.
- ◀ يجب أن يوافق الامداد بالجهد الكهربائي IEC 60364-1.
- ◀ إن تطلب الأمر استبدال خط الوصل، توجب أن يتم ذلك من قبل المنتج أو مركز خدمة الوكالة أو من قبل شخص متخصص بذلك من أجل تجنب المخاطر.
- ◀ لا تلمس قابس الشبكة الكهربائية بواسطة اليدين المبتلتين إطلاقاً.
- ◀ لا تسمح قابس الشبكة الكهربائية أثناء العمل بواسطة الجهاز.
- ◀ لا تعبر خط الوصل بالشبكة الكهربائية أو كبل التمديد بواسطة السيارة ولا تقمطهما أو تسحبهما، فقد يؤدي ذلك إلى إتلافهما. احم الكبل من الحرارة والزيت والحواف الحادة.
- ◀ لا تستخدم الجهاز إذا كان هناك تلف بكبل الشبكة الكهربائية أو بأجزاء هامة كخرطوم الضغط العالي، مسدس البخ أو تجهيزات الوقاية.
- ◀ انتبه: إن كبلات التمديد الغير نظامية قد تكون خطيرة.
- ◀ ينبغي أن يكون القابس والقارنّة مصنّعان بطريقة معزولة للماء عند استخدام كبل التمديد. يجب أن

## عربي

### ملاحظات الأمان

### شرح صور الرموز

ملاحظة خطر عامة.



لا توجه شعاع الماء إطلاقاً على الأشخاص أو الحيوانات أو الجهاز أو



الأجزاء الكهربائية.

انتبه: قد يكون شعاع الضغط العالي خطيراً عند سوء الاستخدام.

لا يجوز ربط الجهاز بشبكة ماء الشرب دون فصل الأنظمة طبقاً للأحكام



السارية. استخدم فاصل للأنظمة

حسب IEC 61770 طراز BA.

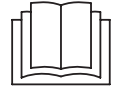
إن الماء الذي يتدفق عبر فاصل الأنظمة لم يعد ماء للشرب.

### ملاحظات الأمان لجهاز التنظيف

### بالضغط العالي

#### اقرأ جميع الملاحظات

التحذيرية والتعليمات. إن ارتكاب الأخطاء عند تطبيق



الملاحظات التحذيرية والتعليمات قد يؤدي إلى الصدمات الكهربائية، إلى نشوب الحرائق و/أو الإصابة بجروح خطيرة.

تشير لافتات الملاحظات والتحذير المثبتة بالجهاز إلى ملاحظات هامة عن كيفية التشغيل بلا مخاطر.

ينبغي مراعاة أحكام الأمان العامة وأحكام تجنب الحوادث إلى جانب الملاحظات المذكورة بتعليمات التشغيل.

ایرادها	دلیل ممکن	راه حل
دستگاه شوینده فشار قوی خود به خود روشن می شود	پمپ یا پیستوله، آب بندی نیستند	به یکی از تعمیرگاه های مجاز و خدمات پس از فروش ابزارآلات برقی بوش مراجعه کنید
دستگاه آب بندی نیست	پمپ، آب بندی نیست	کم شدن (تبخیر) مقادیر کم آب عادی است؛ در صورت کاهش زیاد آب به نمایندگی مراجعه کنید

## مراقبت و سرویس

### سرویس

◀ قبل از هر کاری روی دستگاه، دوشاخه را بکشید و شیر آب را قطع کنید.

**تذکر:** جهت تضمین کارایی طولانی، دستگاه را در موارد زیر سرویس کنید.

دستگاه را از لحاظ داشتن معایبی مانند شل بودن اتصالات و داشتن قسمتهای فرسوده یا آسیب دیده کنترل کنید.

کنترل کنید که سرپوشها و تجهیزات ایمنی بی عیب و صحیح نصب شده باشند. قبل از کار، سرویس و تعمیرهای احتمالی را انجام دهید.

در صورت نیاز به یک کابل پدکی برای اتصال به شبکه برق، بایستی به شرکت بوش و یا به نمایندگی مجاز بوش (خدمات پس از فروش) برای ابزار آلات برقی بوش مراجعه کنید تا از بروز خطرات ایمنی جلوگیری بعمل آید.

### پس از استفاده/نگهداری

کلید قطع و وصل را خاموش کنید و ماشه را فعال نمایید تا شلنگ فشار قوی را خالی کنید.

قسمتهای بیرونی دستگاه شوینده فشار قوی را به کمک یک برس نرم یا یک دستمال تمیز کنید. از آب، مواد حلال و ساینده نباید استفاده کنید. تمام آلودگیها را بزدا کنید، بخصوص شیارهای توهو موتور را تمیز کنید.

نگهداری در انبار پس از اتمام فصل: همه آنها را از پمپ خارج کنید، بدین صورت که موتور را روشن می گذارید و ماشه را فعال می کنید.

هیچ جسمی را روی دستگاه قرار ندهید.

دستگاه را در محیط عاری از یخزدگی نگهداری کنید.

مطمئن شوید که کابل، هنگام در انبار قرار دادن دستگاه گریز نکند. شلنگ فشار قوی را خم نکنید.

### خدمات پس از فروش و مشاوره با

#### مشتریان

[www.bosch-do-it.com](http://www.bosch-do-it.com)

برای هرگونه سؤال و یا سفارش ابزار پدکی و متعلقات، حتماً شماره فنی ده رقمی کالا را مطابق برچسب روی دستگاه اطلاع دهید.

### ایران

روبرت بوش - ایران

میدان ونک، خیابان خدای

تقاطع آفتاب، پلاک 3، برج مادران، طبقه 3

تهران 1994834571

تلفن: +98 21 86092057

## حفظ محیط زیست

مواد شیمیایی مضر برای محیط زیست نباید به زمین، آبراهها، برکه ها و رودها وارد شوند.

هنگام استفاده از مواد شوینده به مندرجات روی بسته و ترکیب توصیه شده توجه کنید.

هنگام تمیز کردن خودروها به مقررات محلی توجه کنید؛ باید از وارد شدن روغن پاشیده شده به آبراه جلوگیری کرد.

## از رده خارج کردن دستگاه

دستگاه شوینده فشار قوی، متعلقات و بسته بندی آن، باید طبق مقررات حفظ محیط زیست از رده خارج و بازیافت شوند.

دستگاه شوینده فشار قوی را داخل زباله دان خانگی نیاندازید!



### فقط برای کشورهای عضو اتحادیه اروپا:

طبق آئین نامه و دستورالعمل اروپائی 2012/19/EU در باره ی دستگاههای کهنه الکتریکی و الکترونیکی و تبدیل آن به حق ملی، باید ابزارهای برقی غیر قابل استفاده را جداگانه جمع آوری کرد و نسبت به بازیافت مناسب با محیط زیست اقدام بعمل آورد.

حق هرگونه تغییری محفوظ است.

**ظروف (بشکه) آب دارای شیر تخلیه**

چنانچه شوینده ی فشار قوی به یک تانکر دارای شیر تخلیه ی مناسب متصل شده باشد، بایستی اول یک شلنگ آب

(ارسال نمی شود) به شیر وصل کرد. شیر را باز کنید، تا همه ی هوای درون شلنگ بیرون رود و سپس آن را به شوینده ی فشار قوی متصل نمایید.

**جستجوی خطا**

ایرادها	دلیل ممکن	راه حل
موتور راه نمی افتد	دوشاخه وصل نیست	دوشاخه را وصل کنید
	پرریز خراب است	از پرریز دیگر استفاده کنید
	فیوز پریده است	فیوز را تعویض کنید
	کابل رابط آسیب دیده است	بدون کابل رابط امتحان کنید
	محافظ موتور فعال شده است	بگذارید موتور به مدت 15 دقیقه خنک شود
	یخ زده است	بگذارید یخ پمپ، شلنگ آب یا متعلقات آب شود
موتور متوقف می شود	فیوز پریده است	فیوز را عوض کنید
	ولتاژ کافی نیست	ولتاژ شبکه را کنترل کنید، بایستی با مقدار مندرج روی برچسب دستگاه مطابق باشد
	محافظ موتور فعال شده است	بگذارید موتور به مدت 15 دقیقه خنک شود
فیوز می پرد	فیوز ضعیف است	به منبع جریان برقی وصل کنید که با توان دستگاه شوینده فشار قوی مطابقت دارد
موتور کار می کند ولی فشار وجود ندارد	نازل کمی گرفته است	نازل را تمیز کنید
صدای موتور می آید ولی کارایی وجود ندارد	ولتاژ کافی نیست	کنترل کنید که ولتاژ برق شبکه با مقدار مندرج روی برچسب دستگاه منطبق باشد
	ولتاژ به دلیل استفاده کابل رابط خیلی کم است	کنترل کنید که کابل رابط مناسب باشد
	دستگاه مدت طولانی بدون استفاده مانده است	به یکی از تعمیرگاه های مجاز و خدمات پس از فروش ابزارآلات برقی بوش مراجعه کنید
	مشکلات در مورد عملکرد توقف خودکار	به یکی از تعمیرگاه های مجاز و خدمات پس از فروش ابزارآلات برقی بوش مراجعه کنید
فشار ضربان دار	وجود هوا در شلنگ آب یا پمپ	بگذارید دستگاه شوینده فشار قوی با پیستوله باز، شیر باز و روی نازل فشار کم کار کند تا فشار متعادل کاری بدست آید
	تأمین آب صحیح نیست	کنترل کنید که شیر آب با مندرجات در بخش مشخصات فنی مطابق باشد. کوچکترین شلنگهای قابل استفاده عبارتند از 1/2" یا Ø13mm
	فیلتر آب گرفته است	فیلتر آب را تمیز کنید
	شلنگ آب خم شده یا گره خورده است	شلنگ آب را صاف کنید
	شلنگ فشار قوی خیلی بلند است	رابط شلنگ فشار قوی را جدا کنید، حداکثر طول شلنگ 7 متر است
فشار متعادل ولی خیلی کم است	نازل فرسوده شده است	نازل را عوض کنید
تذکر: یکی از متعلقات خاص باعث کم کردن فشار می شود	سوپاپ استارت/توقف فرسوده شده است	ماشه را 5 بار پشت سر هم فعال کنید
موتور کار می کند ولی فشار محدود است یا فشار کاری وجود ندارد	آب وصل نیست	آب را وصل کنید
	فیلتر گرفته است	فیلتر را تمیز کنید
	نازل گرفته است	نازل را تمیز کنید

چنانچه هنگام کار با دستگاه از یک کابل رابط استفاده می کنید، کابل‌های با قطر زیر لازم هستند:

- قطر کابل 1,5 میلیمتر<sup>2</sup> برای کابل رابط تا طول 20 متر  
اتصالات کابل (پریز و دوشاخه) بایستی خشک باشند و روی زمین قرار نگیرند.

شلنگ فشار قوی را خم نکنید و با ماشین از روی آن رد نشوید. شلنگ فشار قوی را از لبه های تیز مصون بدارید.

توصیه می شود برای این منظور از قرقره کلاف کابل استفاده کنید که پریز آن به اندازه 60 میلیمتر بالاتر از کف قرار دارد.

## راهنمائی های عملی جهت کار با مواد

### شوینده

◀ **تنها از مواد شوینده ای استفاده کنید که منحصراً برای دستگاه شوینده فشار قوی مناسب هستند.**

به خاطر حفظ محیط زیست توصیه می کنیم در مصرف مواد شوینده صرفه جویی کنید. به توصیه های موجود روی ظروف جهت رقیق کردن توجه کنید.

نازل فشار قوی ارسالی با این محصول دارای یک تنظیم کننده جهت تنظیم مواد شوینده می باشد. تنظیم بر اساس نیاز انجام می شود.

تذکر: در صورت استفاده از کابل رابط بایستی کابل همانطور که در دستورات ایمنی ذکر شد، دارای محافظ ارت باشد که از طریق دوشاخه به محافظ ارت سیستم الکتریکی شما متصل است.

به دفترچه راهنمای تولید کننده کابل رابط یا قرقره کلاف کابل و نیز مقررات مربوط به استفاده در کشور مربوط توجه کنید.

در موارد مشکوک به یک متخصص برقی یا نمایندگی مجاز بوش در نزدیکی خود مراجعه کنید.

تذکر برای محصولاتی که در انگلیس فروخته نمی شوند: **توجه:** برای ایمنی شما لازم است که دوشاخه روی ابزار باغبانی به کابل رابط وصل باشد. اتصال کابل رابط بایستی در مقابل پاشیدن آب مصون باشد، از جنس لاستیک باشد یا روکش لاستیکی داشته باشد. کابل رابط باید با یک مهره مهار کشش بکار برده شود.

## روش تمیز کردن پیشنهادی

**گام اول:** آلودگی های اصلی را بزدابید.

**گام دوم:** بطری مایع شوینده را نصب و با آن کمی کف کنید.

**گام سوم:** توسط نازل افشانک پهن، آلودگی های جدا شده و مایع شوینده را بشوید.

**تذکر:** هنگام تمیز کردن سطوح عمودی توسط مواد شوینده از پایین شروع کنید و به طرف بالا کار کنید. هنگام آب گرفتن از بالا به پایین کار کنید.

## نحوه کاربرد دستگاه

◀ **توجه کنید که این دستگاه را نباید بدون آب بکار برد.**

### روشن کردن

شلنگ آب (ارسال نمی شود) را به شیر آب و دستگاه وصل کنید.

مطمئن شوید که کلید در حالت «0» قرار دارد و دستگاه را به پریز برق بزنید.

شیر آب را باز کنید.

قفل کلید (کلید پشتی روی دسته پیستوله) را فعال کنید تا ماشه را آزاد کنید. ماشه را کاملاً فشار دهید تا آب یکنواخت جاری شود و هیچ هوایی در دستگاه و شلنگ فشار قوی وجود نداشته باشد. ماشه را رها کنید. قفل کلید (کلید جلویی روی دسته پیستوله) را فعال کنید.

کلید برق را بچرخانید. پیستوله را به پایین بگیرید. قفل کلید را فعال کنید تا ماشه آزاد شود. ماشه را کاملاً فشار دهید.

### عملکرد توقف خودکار

دستگاه، موتور را به محض رها کردن ماشه روی دسته پیستوله خاموش می کند.

## راهنمائی های عملی

### عمومی

مطمئن شوید که دستگاه شوینده فشار قوی روی سطح صاف قرار گرفته است.

**استفاده در آبهای دیگر**  
این شوینده ی فشار قوی خود مکنده است و با آن می توان از آب را ظروف یا چشمه های طبیعی کشید. بسیار **مهم:** قبله فیلتر بوش روی ورودی آب پاک شده و نصب باشد و تنها آب تمیز میکده شود.

### تانکرهای باز/ظروف و آبهای طبیعی

از تعلقات خود مکنده ی شامل زیر استفاده کنید:

- توری مکش با سوپاپ ضربه به عقب
  - شلنگ مکش قوی 3 متری
  - کوپلینگ اونیورسال برای شوینده ی فشار قوی
- با این تعلقات می توان با شوینده ی قوی آب را نیم متر بالاتر از سطح آب مکید. این کار ممکن است 15 ثانیه طول بکشد.

شلنگ 3 متری را کاملاً زیر آب کنید تا هوا نگیرد. شلنگ مکنده را به شوینده ی فشار قوی متصل کنید و مطمئن شوید که توری مکش زیر آب بماند.

بگذارید شوینده ی فشار قوی با پیستوله برداشته شده کار کند تا آب به طور منظم از شوینده جاری گردد. چنانچه پس از 25 ثانیه هیچ آبی جاری نشد، آن را خاموش و تمام اتصالات را کنترل کنید. در صورت جاری شدن آب، شوینده ی فشار قوی را خاموش کنید و جهت کار پیستوله و نازل آبپاش را وصل کنید.

مهم است که شلنگ و کوپلها کیفیت خوبی داشته باشند، آب بندی متصل شده و واشرها سالم و درست قرار گرفته باشند. اتصالات آب بندی نشده می توانند مکش را دچار اختلال کنند.

## نحوه نصب و کاربرد

نوع عملکرد	تصویر	صفحه
محتویات ارسال	1	28
نصب شلنگ فشار قوی/پیستوله	2	29
شیر آب	3	29
اتصال بطری ماده شوینده	4	30
نحوه روشن و خاموش کردن	5	31
تنظیم فشار آب خروجی	6	31
تنظیم زاویه کاری راهنمایی های عملی	7	32
نازل را تمیز کنید	8	33
فیلتر را تمیز کنید	9	33
نگهداری	10	34
نحوه انتخاب متعلقات	11	35

## راه اندازی و نحوه کاربرد دستگاه

### ایمنی الکتریکی

توجه! ابزار باغبانی را قبل از سرویس یا تمیز کاری خاموش کنید و دوشاخه آنرا از شبکه برق بیرون بکشید. همین کار را در صورت بریدگی، آسیب دیدگی یا کلافه شدن کابل دستگاه انجام دهید.



ابزار باغبانی جهت ایمنی شما عایق است و نیاز به ارت ندارد. ولتاژ مورد نیاز برابر است با 230 VAC, 50 Hz (برای کشورهای غیر اتحادیه اروپا 220 یا 240 V).

جهت افزایش ایمنی از یک کلید (RCD) FI (با جریان خطای حداکثر 30 میلی آمپر استفاده شود. این کلید FI بایستی قبل از هر بار کار کنترل شود.

کابل برق و کابل رابط باید مرتب از لحاظ داشتن عیب و نقص کنترل و تنها در صورت بی عیب بودن بکار برده شود.

در صورت نیاز به یک کابل پدکی برای اتصال به شبکه برق، بایستی به شرکت بوش و یا به نمایندگی مجاز بوش (خدمات پس از فروش) برای ابزار آلات برقی بوش مراجعه کنید تا از بروز خطرات ایمنی جلوگیری بعمل آید.

تنها از کابل رابط مجاز استفاده کنید.

**احتیاط: کابل رابط غیر استاندارد ممکن است خطر ساز باشد. کابل رابط، دوشاخه و مادگی بایستی ضد آب و مناسب با محیط بیرون باشند.**



از کابلهای برق یا رابط یا قرقره کابل مطابق با استانداردهای IEC 61242/IEC 61242 یا EN 61242-2-7 IEC 60884-2-7 استفاده کنید.

این محصول تنها برای مصارف خانگی در نظر گرفته شده است.

هنگام کار، دستگاه را محکم نگیرید. دستگاه بایستی همانند تصویر در دفترچه راهنما هنگام قرار گرفتن روی زمین حالت عمودی داشته باشد.

## مشخصات فنی

دستگاه شوینده فشار قوی EasyAquatank 100	
شماره فنی	3 600 H47 E..
ورودی نامی	1,2 kW
دمای ورودی حداکثر	40 °C
مقدار ورودی آب در دقیقه	5,5 l/min
فشار مجاز	10 MPa
فشار نامی	6,7 MPa
جریان آب	4,8 l/min
حداکثر فشار ورودی	1 MPa
عملکرد توقف خودکار	•
وزن مطابق استاندارد EPTA-Procedure 01:2014	3,7 kg
کلاس ایمنی	II / □
شماره سری	رجوع شود به شماره سری (برچسب) روی دستگاه شوینده فشار قوی

این اطلاعات برای ولتاژ نامی [U] 230V ولت می باشند و در صورت تغییر ولتاژ و یا در کشورهای دیگر می توانند تغییر کنند. گردش های استارت و راه اندازی باعث افت ولتاژ برای زمان کوتاه میشوند. تحت شرایط نامساعد شبکه برق، امکان بروز اختلال در عملکرد سایر دستگاه ها وجود دارد. در صورت مقاومت ظاهری (امپدانس) کمتر از 0,153 Ohm (اهم) بروز اختلالی انتظار نمی رود.

## اطلاعات مربوط به صدا و ارتعاش

میزان سطح سر و صدا طبق EN 60335-2-79 محاسبه می شود.

سطح ارتعاش صوتی اندازه گیری شده بر حسب a برای ابزار معمولاً برابر است با: سطح فشار صوتی (A) 79 dB; سطح توان صوتی (A) 91 dB. ضریب خطا (عدم قطعیت) K = 3 dB. از گوشه ای ایمنی استفاده کنید!

میزان کل ارتعاشات  $a_{h1}$  (جمع بردارهای سه جهت) و ضریب خطا K بر مبنای استاندارد EN 60335-2-79 محاسبه می شوند:  $a_{h1} = 1,3 \text{ m/s}^2$ ,  $K = 0,6 \text{ m/s}^2$ .

## سرویس و مراقبت

- ◀ قبل از انجام سرویس و تمیز کاری و نیز تعویض متعلقات، دستگاه را خاموش کنید. چنانچه دستگاه با ولتاژ شبکه، تغذیه می شود، دو شاخه را بکشید.
- ◀ تعمیرات و سرویس باید تنها توسط خدمات پس از فروش ابزارآلات برقی مجاز بوش انجام شوند.

## متعلقات و قطعات یدکی

- ◀ فقط باید از متعلقات و قطعات یدکی استفاده کرد که توسط سازنده مجاز شناخته شده اند. متعلقات و قطعات یدکی اصل، کارایی بی نقص دستگاه را تضمین می کنند.

## علامت ها

علامت زیر و معانی آنها میتوانند برای کار و استفاده از ابزار برقی شما پر اهمیت باشند. لطفاً این علامت و مفهوم آنها را خوب بخاطر بسپارید. تفسیر صحیح این علامت به شما کمک میکند که ابزار برقی را بهتر و مطمئن تر مورد استفاده قرار بدهید.

معنی	علامت
مسیر یا جهت حرکت	
وزن	
روشن	
خاموش	
متعلقات	

## موارد استفاده از دستگاه

این دستگاه جهت تمیز کردن (شستن) سطوح و اشیاء در محوطه بیرون، دستگاهها، خودروها و قایقها در نظر گرفته شده است، مادامی که متعلقات مربوط مانند مواد شوینده مجاز بوش استفاده شوند.

استفاده از دستگاه طبق دستورات در یک محیط با یک دمای بین 0°C و 40°C میسر است.

- محل کار توجه کنید. هنگام کار کاملاً به اشخاص توجه کنید، بخصوص کودکان.
- ◀ تنها افرادی که با روش کاربری دستگاه توجیه شده اند یا گواهی دال بر توانایی کار کردن با دستگاه را دارند، می توانند از دستگاه استفاده کنند. دستگاه نباید توسط کودکان یا جوانان بکار برده شود.
- ◀ هرگز به کودکان و سایر افراد دارای کاستیهای روحی و جسمی یا بدون تجربه یا آشنایی یا به اشخاص بدون اطلاع از روش کاربری اجازه استفاده از ابزار باغبانی را ندهید. مقررات مربوط به هر کشور می توانند سن کاربر را محدود کنند.
- ◀ کودکان باید زیر نظر باشند تا اطمینان حاصل شود که آنها با ابزار باغبانی بازی نمی کنند.
- ◀ دستگاه را در صورت روشن بودن نباید بدون نظارت رها کرد.
- ◀ آب جاری از نازل فشار قوی ضربه برگشتی تولید می کند. به همین دلیل میله و پیستوله آب پاش را محکم بگیرید.
- ◀ هنگام کار، دستگاه را محکم بگیرید. دستگاه بایستی همانند تصویر در دفترچه راهنما هنگام قرار گرفتن روی زمین حالت عمودی داشته باشد.

## حمل و نقل

- ◀ قبل از حمل و نقل، دستگاه را خاموش و ایمن کنید.



- ◀ فقط از شوینده های توصیه شده توسط شرکت استفاده کنید و به تذکرات مربوط به کاربری، دفع و هشدارهای سازنده دستگاه توجه کنید.
  - ◀ تمام قسمتهای حامل جریان در محدوده کار بایستی در برابر ورپاش آب مصون باشند.
  - ◀ اهرم پیستوله نباید هنگام کار در حالت «ON» گیر کند.
  - ◀ در برابر ورپاش آب از لباس محافظ مناسب استفاده کنید. از دستگاه در حضور اشخاص استفاده نکنید، جز اینکه آنها مجهز به لباس محافظ باشند.
  - ◀ در صورت نیاز از تجهیزات ایمنی مناسب (شخصی) در برابر ورپاش آب مانند عینک ایمنی، ماسک ضد غبار و غیره استفاده کنید، تا در برابر آب، ذرات غباری که از اجسام منعکس می شوند، مصون بمانید.
  - ◀ **هنگام استفاده از دستگاه شوینده فشار قوی ممکن است ذرات معلق در هوا ایجاد شوند.** استشمام این ذرات برای سلامتی مضر است.
  - ◀ فشار قوی می تواند اشیاء را به طرف کاربر برگرداند. در صورت لزوم از تجهیزات ایمنی شخصی مانند عینک ایمنی استفاده کنید.
  - ◀ جهت جلوگیری از آسیب دیدگی توسط آب فشار قوی، لاستیکهای ماشین/بارفها (سوپاپها) را فقط با حداقل فاصله 30 سانتیمتر تمیز کنید. اولین نشانه آسیب دیدگی، تغییر رنگ لاستیک است.
  - ◀ لاستیکهای ماشین/بارفهای (سوپاپها) آسیب دیده برای سلامتی خطرناک هستند.
  - ◀ مواد دارای آزبست یا موادی که سلامتی را تهدید می کنند را نباید در مسیر آب فشار قوی قرار گیرند.
  - ◀ مواد شوینده توصیه شده را بدون رقیق کردن بکار نبرید. این محصولات ایمن هستند چون محتوی اسید، محلولهای شیمیایی یا مواد مضر برای محیط زیست نمی باشند. توصیه می کنیم، مواد شوینده را دور از دسترس کودکان قرار دهید. در صورت تماس چشم با مواد شوینده فوراً چشم را با آب بشوید، در صورت خوردن سریع به پزشک مراجعه کنید.
  - ◀ **از شوینده فشار قوی هرگز بدون فیلتر، با فیلتر کثیف یا آسیب دیده استفاده نکنید.** در صورت استفاده از دستگاه بدون فیلتر یا با فیلتر آسیب دیده یا کثیف، ضمانت از بین می رود.
  - ◀ قسمتهای فلزی ممکن است پس از کاربرد طولانی داغ شوند. در صورت نیاز از دستکش ایمنی استفاده کنید.
  - ◀ در صورت بد بودن هوا بخصوص هنگام رعد و برق با شوینده فشار قوی کار نکنید.
- کاربری**
- ◀ کاربر باید از دستگاه مطابق مقررات استفاده کند. به وضعیت

◀ در محل اتصال به آب بایستی از آب تمیز و فیلتر شده استفاده کنید.

### کاربرد

◀ قبل از کاربرد دستگاه با متعلقات، آن را از لحاظ وضعیت مطابق با استاندارد و نیز از نظر ایمنی کارکرد کنترل کنید. چنانچه وضعیت دستگاه مناسب نباشد، نباید آن را بکار برد.

◀ سر آبیاش را به طرف خود یا دیگران جهت تمیز کردن لباس یا کفش نگیرید.

◀ نباید مایعات دارای حلال، اسیدهای خالص، استون یا حلالهایی مانند بنزین، تینر و نفت مکیده شوند، چون بخار حاصل از آنها بسیار قابل اشتعال و انفجار و نیز سمی هستند.

◀ هنگام استفاده از دستگاه در جاهای خطرناک (مانند پمپ بنزین) بایستی به مقررات ایمنی مربوط توجه کرد. کاربرد دستگاه در مکانهای دارای خطر انفجار ممنوع است.

◀ دستگاه باید روی کف محکم و ثابت قرار گیرد.

◀ هنگام استفاده در مکانهای سرپوشیده به تهویه کافی توجه کنید. از خاموش بودن خودروها هنگام تمیزکاری مطمئن شوید (موتور را خاموش کنید).

◀ روی نردبان کار نکنید. هنگام کار روی بالکنها و سطوح مرتفع به قابل دید بودن همه گوشه ها توجه کنید.

◀ در صورت استفاده از یک کابل رابط بایستی دوشاخه و مادگی ضد آب باشند. قطر کابل رابط باید مطابق مندرجات دفترچه راهنما باشد و در برابر وریاش آب مصون بماند. محل اتصال نباید در آب قرار گیرد.

◀ چنانچه دوشاخه تأمین جریان برق یا دوشاخه کابل رابط تعویض شوند، بایستی محافظ وریاش آب و ثبات مکانیکی حفظ شوند.

### شیر آب

◀ به مقررات سازمان تأمین آب خود توجه کنید.

◀ تمام اتصالات شلنگ ها بایستی آب بندی باشند.

◀ تنها از یک شلنگ قوی با قطر (1/2") 12,7 mm استفاده کنید.

◀ دستگاه را هرگز نباید بدون سوپاپ (شیر) اطمینان برگشت جریان به منبع آب آشامیدنی وصل کرد. آبی که از شیر اطمینان جاری می شود، قابل آشامیدن نیست.

◀ شلنگ فشار قوی نباید دارای آسیب دیدگی باشد (خطر ترکیدگی). شلنگ فشار قوی آسیب دیده را بایستی بی درنگ تعویض کرد. تنها باید از شلنگها و اتصالات توصیه شده توسط شرکت استفاده کرد.

◀ شلنگهای فشار قوی، شیرآلات و اتصالات برای ایمنی دستگاه مهم هستند. تنها از شلنگها، شیرآلات و اتصالات توصیه شده توسط شرکت استفاده کنید.

## اتصال به برق

- ◀ ولتاژ منبع جریان برق باید با مقادیر موجود بر روی برچسب دستگاه مطابقت داشته باشد.
- ◀ توصیه می شود، دستگاه را فقط به یک پریزی وصل کنید که مجهز به یک کلید حفاظ با جریان خطای حداکثر 30 میلی آمپر باشد.
- ◀ دوشاخه را از پریز بیرون بکشید، حتی اگر برای مدت کوتاه دستگاه را بدون نظارت رها می کنید.
- ◀ تأمین ولتاژ الکتریکی بایستی مطابق با IEC 60364-1 باشد.
- ◀ در صورت نیاز به یک کابل یدکی برای اتصال به شبکه برق، بایستی به شرکت بوش و یا به نمایندگی مجاز بوش (خدمات پس از فروش) برای ابزار آلات برقی بوش مراجعه کنید تا از بروز خطرات ایمنی جلوگیری بعمل آید.
- ◀ دوشاخه را هرگز با دست خیس نگیرید.
- ◀ هنگام کار با دستگاه، دوشاخه را نکشید.
- ◀ کابل اتصال یا کابل رابط را لگد مال یا له نکنید، آن را نکشید، چون ممکن است آسیب ببیند.
- کابل اتصال/رابط را در برابر گرما، روغن و لبه های تیز محفوظ بدارید.
- ◀ چنانچه دوشاخه یا قسمتهای مهم مانند شلنگ فشار قوی، پیستوله یا تجهیزات ایمنی آسیب دیده اند، از دستگاه استفاده نکنید.
- ◀ توجه: کابل رابط غیر استاندارد ممکن است خطر ساز باشد.

## فارسی

### دستورات ایمنی

#### توضیح علائم

هشدارهای عمومی.



سر آپاش را هرگز به طرف انسانها، حیوانات، خود دستگاه و



قسمتهای الکتریکی نگیرید. توجه: آب فشار قوی در صورت استفاده غیر معمول خطرناک است.

#### دستگاه بر اساس مقررات

معتمد نباید بدون جدایی از سیستم به شبکه آب



آشامیدنی متصل گردد. از یک جدا کننده سیستم بر طبق IEC 61770 Typ BA استفاده کنید. آبی که از جدا کننده جاری می شود، دیگر قابل آشامیدن نیست.

#### دستورات ایمنی برای شوینده

#### های فشار قوی

کلیه دستورات ایمنی و راهنمائی ها را مطالعه



کنید. اشتباهات ناشی از عدم رعایت این دستورات ایمنی ممکن است باعث برق گرفتگی، سوختگی و یا سایر جراحات های شدید شود.

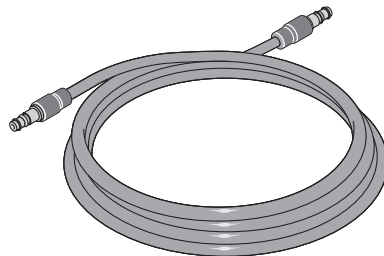
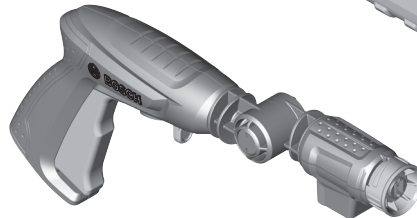
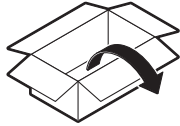
برچسبهای هشدار نصب شده روی دستگاه، تذکرات مهم را برای کاربرد بی خطر ارائه می کنند.

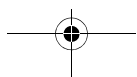
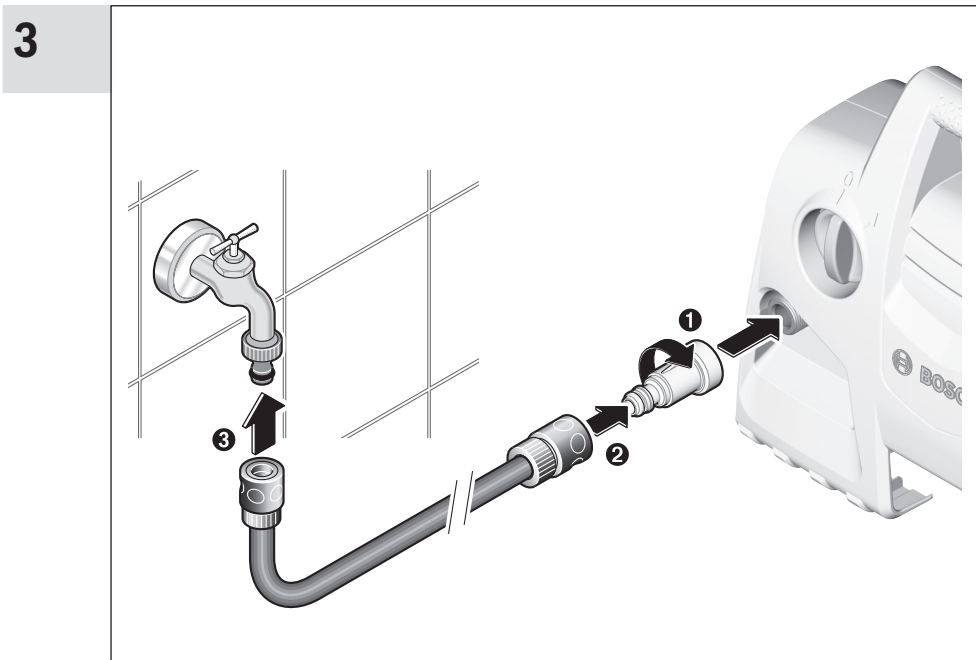
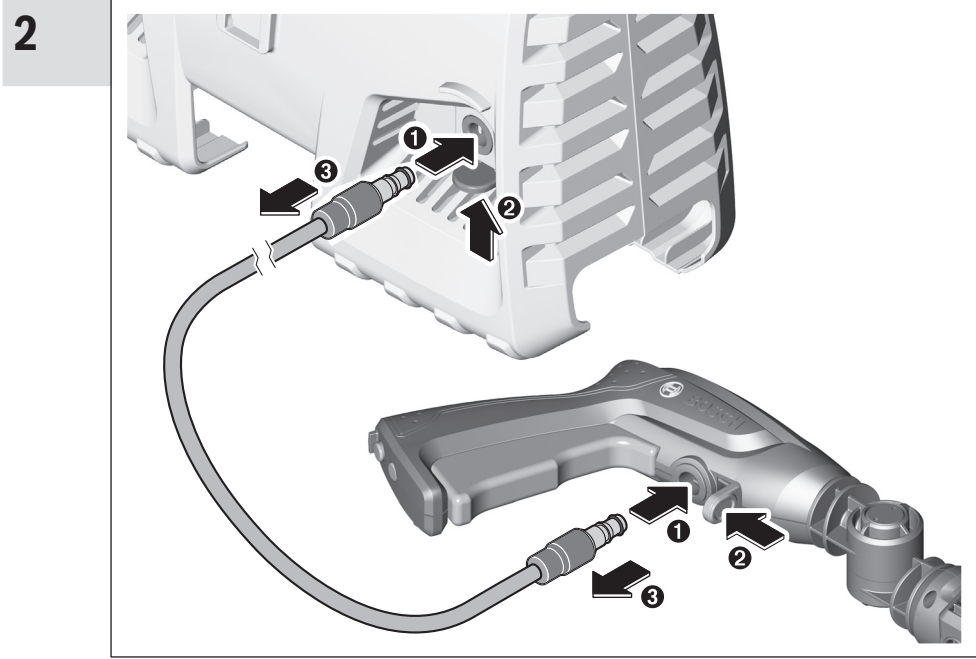
علاوه بر تذکرات موجود در دفترچه راهنما بایستی دستورات ایمنی عمومی و مقررات جلوگیری از حادثه را رعایت نمود.

1



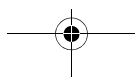
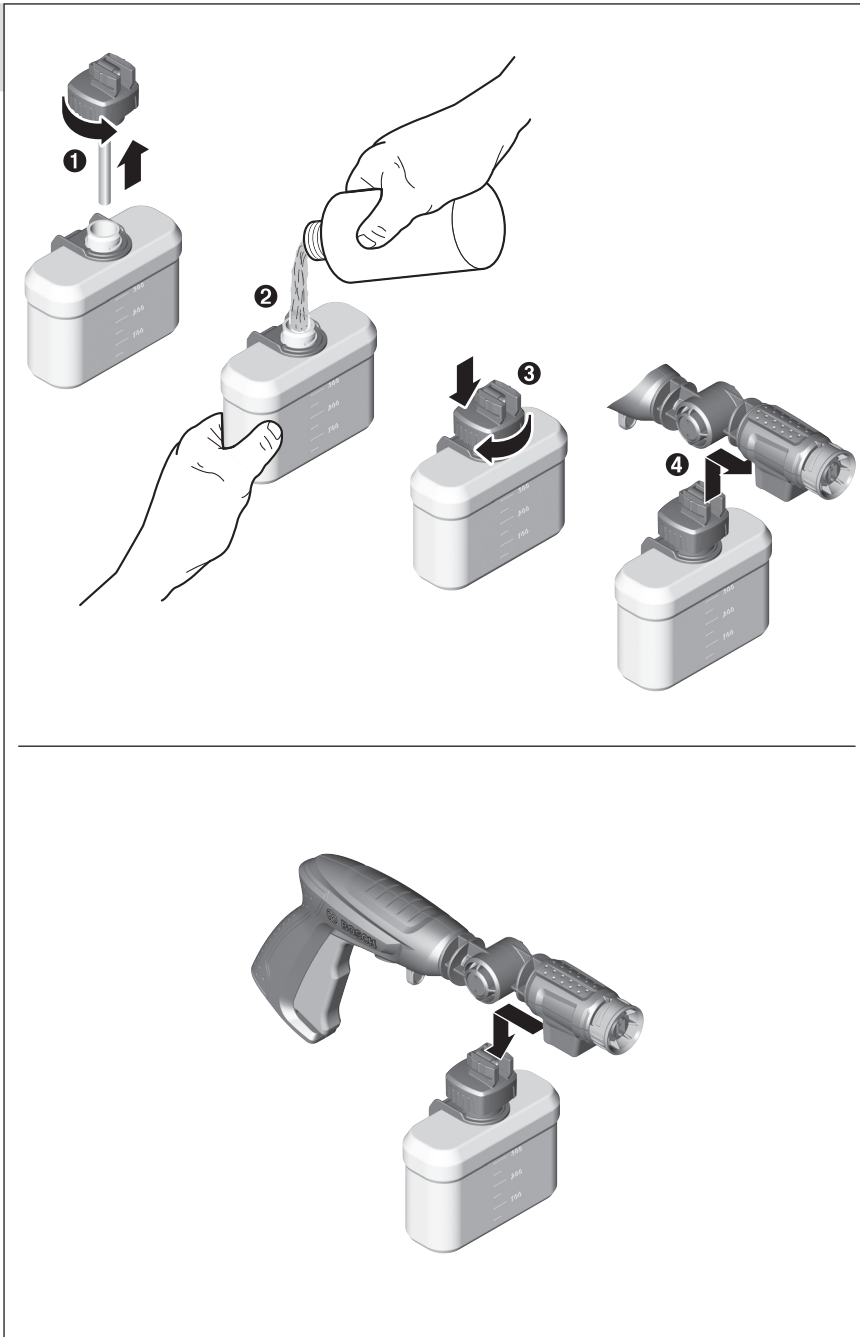
3,7 kg





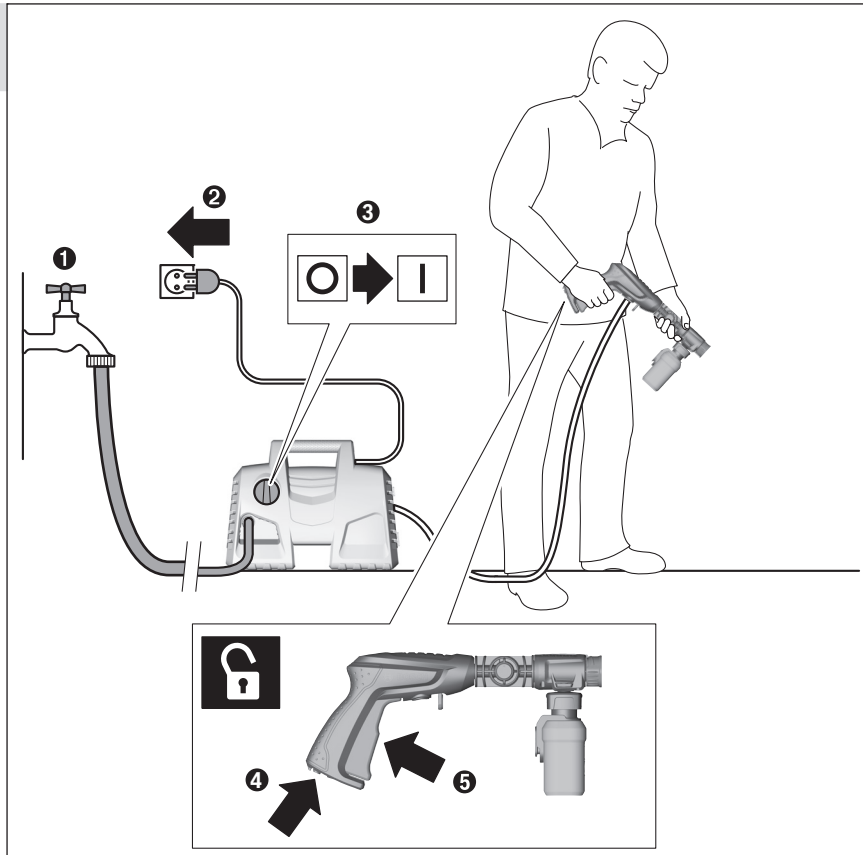


4

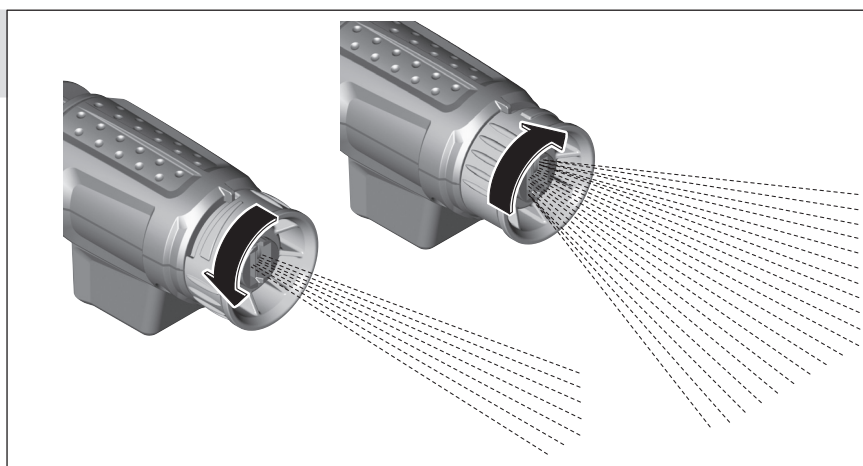




5

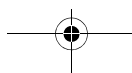
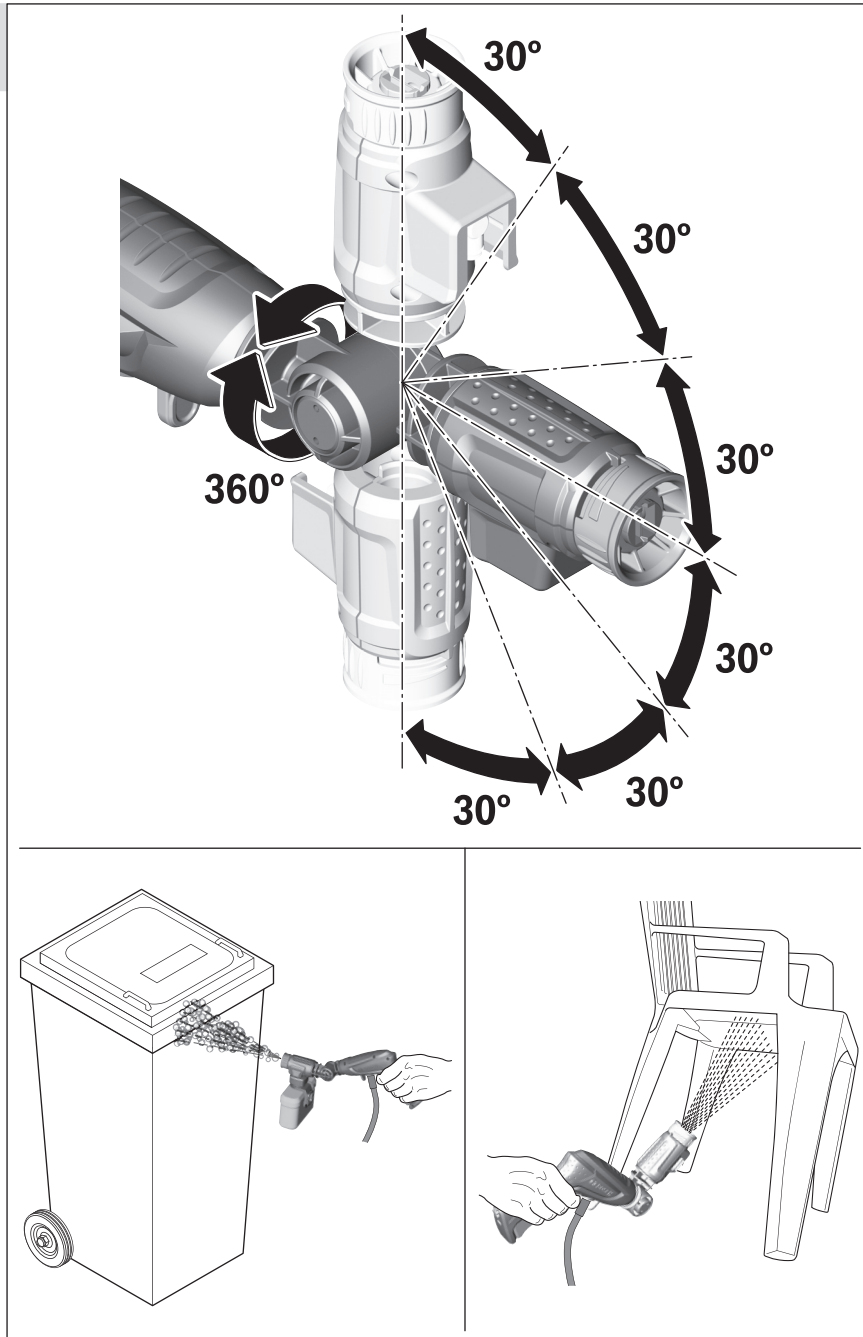


6





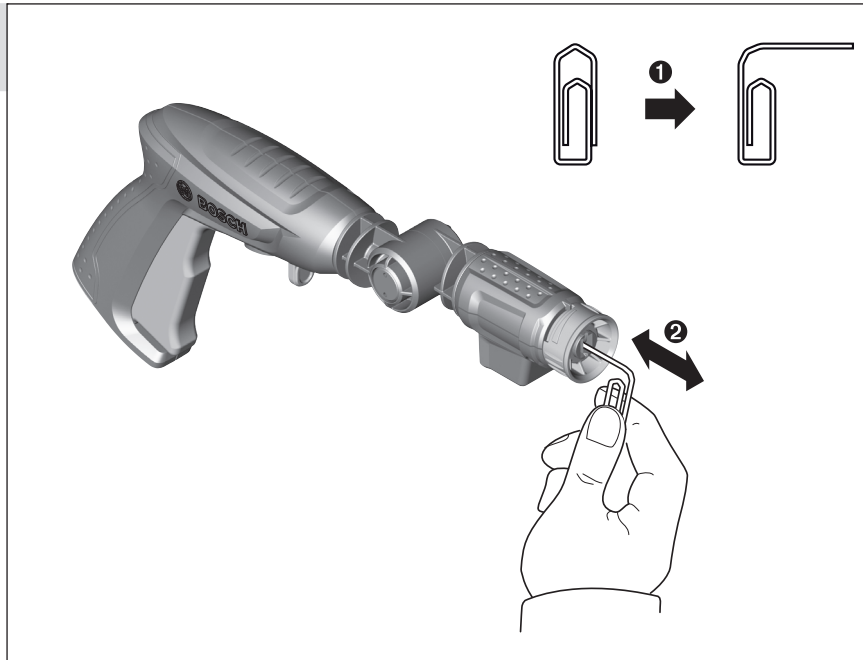
7



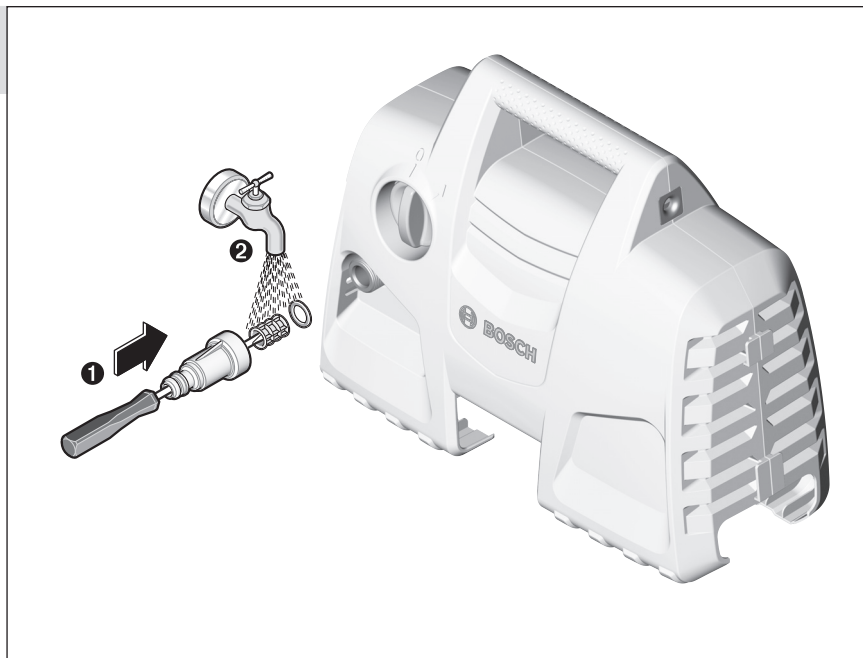




8

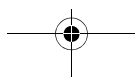
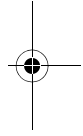
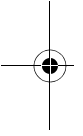
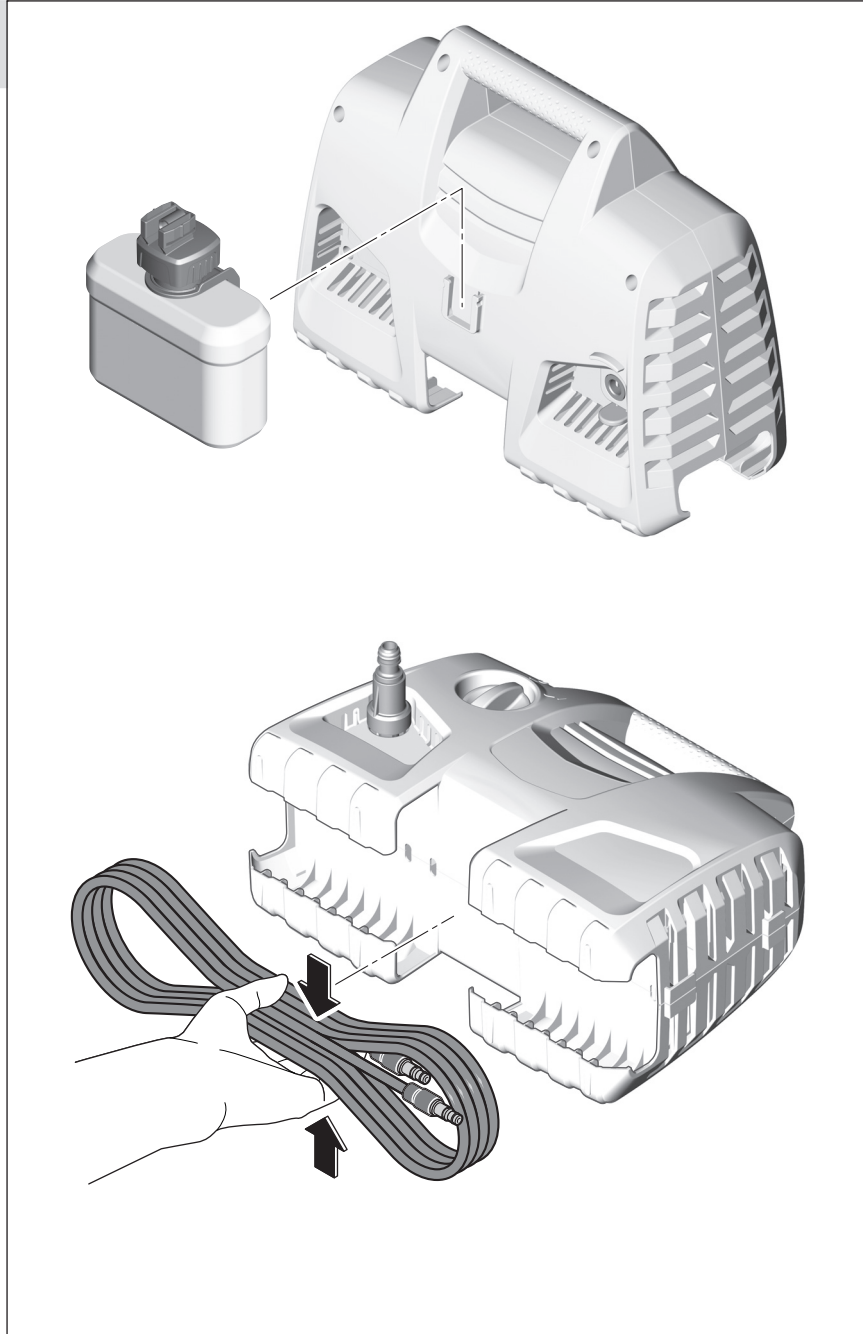


9



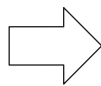
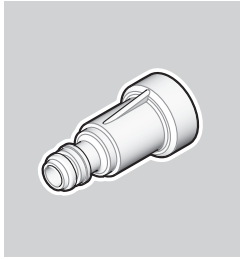
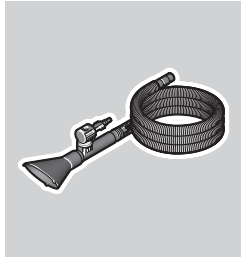
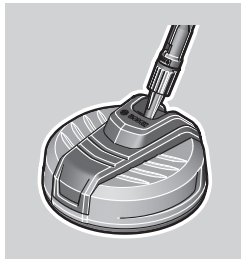
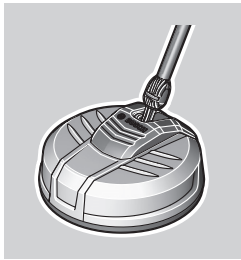
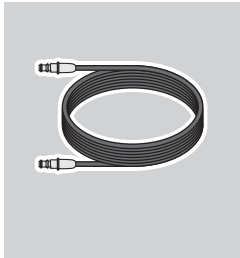
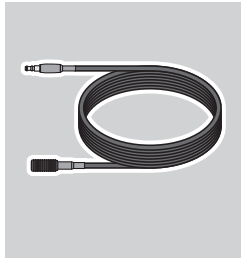
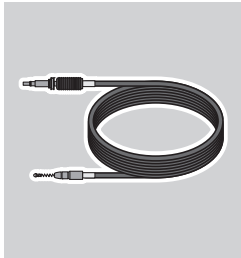
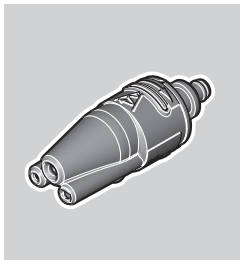
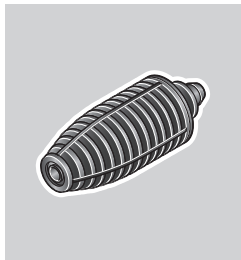
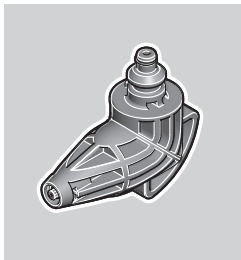


10

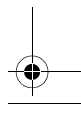
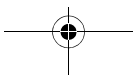
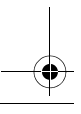
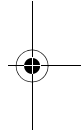
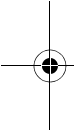




11



[www.bosch-aqt.com](http://www.bosch-aqt.com)



I		CE
<b>de</b>	<b>EU-Konformitätserklärung</b> Hochdruckreiniger Sachnummer	Wir erklären in alleiniger Verantwortung, dass die genannten Produkte allen einschlägigen Bestimmungen der nachfolgend aufgeführten Richtlinien und Verordnungen entsprechen und mit folgenden Normen übereinstimmen.
<b>en</b>	<b>EU Declaration of Conformity</b> Pressure washer Article number	We declare under our sole responsibility that the stated products comply with all applicable provisions of the directives and regulations listed below and are in conformity with the following standards.
<b>fr</b>	<b>Déclaration de conformité UE</b> Nettoyeur haute pression N° d'article	Nous déclarons sous notre propre responsabilité que les produits décrits sont en conformité avec les directives, règlements normatifs et normes énumérés ci-dessous.
<b>es</b>	<b>Declaración de conformidad UE</b> Limpiadora de alta presión N° de artículo	Declaramos bajo nuestra exclusiva responsabilidad, que los productos nombrados cumplen con todas las disposiciones correspondientes de las Directivas y los Reglamentos mencionados a continuación y están en conformidad con las siguientes normas.
<b>pt</b>	<b>Declaração de Conformidade UE</b> Limpador de alta pressão N.º do produto	Declaramos sob nossa exclusiva responsabilidade que os produtos mencionados cumprem todas as disposições e os regulamentos indicados e estão em conformidade com as seguintes normas.
<b>it</b>	<b>Dichiarazione di conformità UE</b> Idropulitrice Codice prodotto	Dichiariamo sotto la nostra piena responsabilità che i prodotti indicati sono conformi a tutte le disposizioni pertinenti delle Direttive e dei Regolamenti elencati di seguito, nonché alle seguenti Normative.
<b>nl</b>	<b>EU-conformiteitsverklaring</b> Hogedrukreiniger Productnummer	Wij verklaren op eigen verantwoordelijkheid dat de genoemde producten voldoen aan alle desbetreffende bepalingen van de hierna genoemde richtlijnen en verordeningen en overeenstemmen met de volgende normen.
<b>da</b>	<b>EU-overensstemmelseserklæring</b> Højtryksrensler Typenummer	Vi erklærer som eneansvarlige, at det beskrevne produkt er i overensstemmelse med alle gældende bestemmelser i følgende direktiver og forordninger og opfylder følgende standarder.
<b>sv</b>	<b>EU-konformitetsförklaring</b> Högtryckstvätt Produktnummer	Vi förklarar under eget ansvar att de nämnda produkterna uppfyller kraven i alla gällande bestämmelser i de nedan angivna direktiven och förordningarnas och att de stämmer överens med följande normer.
<b>no</b>	<b>EU-samsvarserklæring</b> Høytrykkspyler Produktnummer	Vi erklærer under eneansvar at de nevnte produktene er i overensstemmelse med alle relevante bestemmelser i direktivene og forordningene nedenfor og med følgende standarder.
<b>fi</b>	<b>EU-vaatimustenmukaisuusvakuutus</b> Painepesuri Tuotenumero	Vakuutamme täten, että mainitut tuotteet vastaavat kaikkia seuraavien direktiivien ja asetusten asiaankuuluvia vaatimuksia ja ovat seuraavien standardien vaatimusten mukaisia.
<b>el</b>	<b>Δήλωση πιστότητας ΕΕ</b> Πλυντικό υψηλής πίεσης Αριθμός ευρετηρίου	Δηλώνουμε με αποκλειστική μας ευθύνη, ότι τα αναφερόμενα προϊόντα αντιστοιχούν σε όλες τις σχετικές διατάξεις των πιο κάτω αναφερόμενων οδηγιών και κανονισμών και ταυτίζονται με τα ακόλουθα πρότυπα.
<b>tr</b>	<b>AB Uygunluk beyanı</b> Yüksek basınçlı temizleyici Ürün kodu	Tek sorumlu olarak, tanımlanan ürünün aşağıdaki yönetmelik ve direktiflerin geçerli bütün hükümlerine ve aşağıdaki standartlara uygun olduğunu beyan ederiz.
<b>pl</b>	<b>Deklaracja zgodności UE</b> Myjka wysokociśnieniowa Numer katalogowy	Oświadczamy z pełną odpowiedzialnością, że niniejsze produkty odpowiadają wszystkim wymaganiom poniżej wyszczególnionych dyrektyw i rozporządzeń, oraz że są zgodne z następującymi normami.
<b>cs</b>	<b>EU prohlášení o shodě</b> Vysokotlaký čistič Objednáací číslo	Prohlašujeme na výhradní zodpovědnost, že uvedený výrobek splňuje všechna příslušná ustanovení níže uvedených směrnic a nařízení a je v souladu s následujícími normami:
<b>sk</b>	<b>EÚ vyhlásenie o zhode</b> Vysokotlakový čistič Vecné číslo	Vyhlasujeme na výhradnú zodpovednosť, že uvedený výrobok spĺňa všetky príslušné ustanovenia nižšie uvedených smerníc a nariadení a je v súlade s nasledujúcimi normami:
<b>hu</b>	<b>EU konformitási nyilatkozat</b> Nagynyomású tisztító Cikkszám	Egyedüli felelőséggel kijelentjük, hogy a megnevezett termékek megfelelnek az alábbiakban felsorolásra kerülő irányelvek és rendeletek valamennyi idevágó előírásainak és megfelelnek a következő szabványoknak.

CE		II
<b>ru</b>	<b>Заявление о соответствии ЕС</b> Очиститель высокого давления	Мы заявляем под нашу единоличную ответственность, что названные продукты соответствуют всем действующим предписаниям нижеуказанных директив и распоряжений, а также нижеуказанных норм.
<b>uk</b>	<b>Заява про відповідність ЄС</b> Очищувач високого тиску	Мизаявляємо під нашу одноособову відповідальність, що названі вироби відповідають усім чинним положенням нищеозначених директив і розпоряджень, а також нищеозначеним нормам.
<b>kk</b>	<b>ЕО сәйкестік мағлұмдамасы</b> Жоғары қысым тазалағыш	Өз жауапкершілікпен біз аталған өнімдер төменде жзылған директикалар мен жарлықтардың тиісті қағидаларына сәйкестігін және төмендегі нормаларға сай екенін білдіреміз.
<b>ro</b>	<b>Declarație de conformitate UE</b> Mașină de curățat cu înaltă presiune	Declarăm pe proprie răspundere că produsele menționate corespund tuturor dispozițiilor relevante ale directivelor și reglementărilor enumerate în cele ce urmează și sunt în conformitate cu următoarele standarde.
<b>bg</b>	<b>ЕС декларация за съответствие</b> Водоструйна машина	С пълна отговорност ние декларираме, че посочените продукти отговарят на всички валидни изисквания на директивите и разпоредбите по-долу и съответства на следните стандарти.
<b>mk</b>	<b>EU-Изјава за сообразност</b> Високопритисна пералка	Со целосна одговорност изјавуваме, дека опишаните производи се во согласност со сите релевантни одредби на следните регулативи и прописи и се во согласност со следните норми.
<b>sr</b>	<b>EU-izjava o usaglašenosti</b> Uredjaj za čišćenje visokim pritiskom	Na sopstvenu odgovornost izjavljujemo, da navedeni proizvodi odgovaraju svim dotičnim odredbama naknadno navedenih smernica u uredaba i da su u skladu sa sledećim standardima.
<b>sl</b>	<b>Izjava o skladnosti EU</b> Visokotlačni čistilec	Izjavljamo pod izključno odgovornostjo, da je omenjen izdelek v skladu z vsemi relevantnimi določili direktiv in uredb ter ustreza naslednjim standardom.
<b>hr</b>	<b>EU izjava o skladnosti</b> Visokotlačni uređaj za čišćenje	Pod punom odgovornošću izjavljujemo da navedeni proizvodi odgovaraju svim relevantnim odredbama direktiva i propisima navedenima u nastavku i da su sukladni sa sljedećim normama.
<b>et</b>	<b>EL-vastavusdeklaratsioon</b> Kõrgsurvepesur	Kinnitame ainuvastutajatena, et nimetatud tooted vastavad järgnevalt loetletud direktiivide ja määruste kõikidele asjaomastele nõuetele ja on kooskõlas järgmistega normidega.
<b>lv</b>	<b>Deklarācija par atbilstību ES standartiem</b> Augstspiediena tīrītājs	Mēs ar pilnu atbildību paziņojam, ka šeit aplūkotie izstrādājumi atbilst visiem tālāk minētajās direktīvās un rīkojumos ietvertajām saistošajām nostādņēm, kā arī sekojošiem standartiem.
<b>lt</b>	<b>ES atitikties deklaracija</b> Aukšto slėgio plovimo įrenginys	Atsakingai pareiškiame, kad išvardyti gaminiai atitinka visus privalomus žemiau nurodytų direktyvų ir reglamentų reikalavimus ir šiuos standartus.
<b>EasyAquatank 100</b>	3 600 H47 E00	2011/65/EU 2014/30/EU 2006/42/EC 2000/14/EC EN 60335-1:2012+A11:2014 EN 60335-2-79:2012 EN 55014-1:2006 + A1:2009 + A2:2011 EN 55014-2:1997 + A1:2001 + A2:2008 EN 61000-3-2:2014 EN 61000-3-3:2013 EN 50581:2012

III	CE
<b>de</b>	2000/14/EG: Gemessener Schalleistungspegel 91 dB(A), Unsicherheit K = 3 dB, garantierter Schalleistungspegel 95 dB(A); Bewertungsverfahren der Konformität gemäß Anhang V. Produktkategorie: 27 Technische Unterlagen bei: *
<b>en</b>	2000/14/EC: Measured sound power level 91 dB(A), uncertainty K = 3 dB, guaranteed sound power level 95 dB(A); Conformity assessment procedure in accordance with annex V. Product category: 27 Technical file at: *
<b>fr</b>	2000/14/CE : niveau de puissance acoustique mesuré 91 dB(A), incertitude K = 3 dB, niveau de puissance acoustique garanti 95 dB(A) ; procédure d'évaluation de conformité selon l'annexe V. Catégorie de produit : 27 Dossier technique auprès de : *
<b>es</b>	2000/14/CE: nivel medido de la potencia acústica 91 dB(A), tolerancia K = 3 dB, nivel garantizado de la potencia acústica 95 dB(A); método de evaluación de la conformidad según anexo V. Categoría de producto: 27 Documentos técnicos de: *
<b>pt</b>	2000/14/CE: Nível de potência acústica medido 91 dB(A), insegurança K = 3 dB, nível de potência acústica garantido 95 dB(A); processo de avaliação da conformidade de acordo com o anexo V. Categoria de produto: 27 Documentação técnica pertencente à: *
<b>it</b>	2000/14/CE: livello di potenza sonora misurato 91 dB(A), incertezza K = 3 dB, livello di potenza sonora garantito 95 dB(A); procedimento di valutazione della conformità secondo l'Allegato V. Categoria prodotto: 27 Documentazione Tecnica presso: *
<b>nl</b>	2000/14/EG: gemeten geluidsvermogensniveau 91 dB(A), onzekerheid K = 3 dB, gegarandeerd geluidsvermogensniveau 95 dB(A); beoordelingsmethode van de overeenstemming volgens bijlage V. Productcategorie: 27 Technisch dossier bij: *
<b>da</b>	2000/14/EF: Målt lydeffektniveau 91 dB(A), usikkerhed K = 3 dB, garanteret lydeffektniveau 95 dB(A); overensstemmelsesvurderingsprocedure som omhandlet i bilag V. Produktkategori: 27 Tekniske bilag ved: *
<b>sv</b>	2000/14/EG: Uppmått bullernivå 91 dB(A), osäkerhet K = 3 dB, garanterad bullernivå 95 dB(A); konformitetens bedömningsmetod enligt bilaga V. Produktkategori: 27 Teknisk dokumentation: *
<b>no</b>	2000/14/EC: Målt lydeffektnivå 91 dB(A), usikkerhet K = 3 dB, garantert lydeffektnivå 95 dB(A); samsvarsvurderingsmetode i henhold til vedlegg V. Produktkategori: 27 Teknisk dokumentasjon hos: *
<b>fi</b>	2000/14/EY: mitattu äänitehotaso 91 dB(A), epävarmuus K = 3 dB, taattu äänitehotaso 95 dB(A); vaatimustenmukaisuuden arviointimenetelmä liitteen V mukaisesti. Tuotekategoria: 27 Tekniset asiakirjat saatavana: *
<b>el</b>	2000/14/EK: Μετρημένη στάθμη ηχητικής ισχύος 91 dB(A), ανασφάλεια K = 3 dB, εγγυημένη στάθμη ηχητικής ισχύος 95 dB(A). Διαδικασία αξιολόγησης της πιστότητας σύμφωνα με το παράρτημα V. Κατηγορία προϊόντος: 27 Τεχνικά έγγραφα στη: *
<b>tr</b>	2000/14/EC: Ölçülen ses gücü seviyesi 91 dB(A), tolerans K = 3 dB, garanti edilen ses gücü seviyesi 95 dB(A); uygunluk değerlendirme yöntemi ek V uyarınca. Ürün kategorisi: 27 Teknik belgelerin bulunduğu yer: *
<b>pl</b>	2000/14/WE: pomierzony poziom mocy akustycznej 91 dB(A), niepewność K = 3 dB, gwarantowany poziom mocy akustycznej 95 dB(A); procedura oceny zgodności zgodnie z załącznikiem V. Kategoria produktów: 27 Dokumentacja techniczna: *
<b>cs</b>	2000/14/ES: změřená hladina akustického výkonu 91 dB(A), nejistota K = 3 dB, zaručená hladina akustického výkonu 95 dB(A); metoda posouzení shody podle dodatku V. Kategorie výrobku: 27 Technické podklady u: *
<b>sk</b>	2000/14/ES: odmeraná hladina akustického výkonu 91 dB(A), neistota K = 3 dB, zaručená hladina akustického výkonu 95 dB(A); metóda posúdenia zhody podľa dodatku V. Kategória výrobku: 27 Technické podklady má spoločnosť: *
<b>hu</b>	2000/14/EK: Mért hangteljesítmény-szint 91 dB(A), K szórás = 3 dB, garantált hangteljesítmény-szint 95 dB(A); a konformitás kiértékelési eljárást lásd a V Függelékben. Termékkategória: 27 Műszaki dokumentumok megőrzési pontja: *

CE	IV
<b>ru</b>	2000/14/ЕС: Измеренный уровень звуковой мощности 91 дБ(А), погрешность К = 3 дБ, гарантированный уровень звуковой мощности 95 дБ(А); процедура оценки соответствия согласно приложения V. Категория продукта: 27 Техническая документация хранится у: *
<b>uk</b>	2000/14/ЕС: виміряна звукова потужність 91 дБ(А), похибка К = 3 дБ, гарантована звукова потужність 95 дБ(А); процедура оцінки відповідності відповідно до додатку V. Категорія продукту: 27 Технічна документація зберігається у: *
<b>kk</b>	2000/14/ЕС: Өлшелген дыбыс қаттылығы 91 дБ(А), дәлсіздік К = 3 дБ, кепілденген дыбыс қаттылығы 95 дБ(А); Сәйкестікті анықтау әдісі V тіркелгісі бойынша. Өнім санаты: 27 Техникалық құжаттар: *
<b>ro</b>	2000/14/CE: Nivel măsurat al puterii sonore 91 dB(A), incertitudine K = 3 dB, nivel garantat al puterii sonore 95 dB(A); procedură de evaluare a conformității potrivit Anexei V. Categorie produse: 27 Documentație tehnică la: *
<b>bg</b>	2000/14/EO: измерено ниво на звуковата мощност 91 dB(A), неопределеност К = 3 dB, гарантирано ниво на мощността на звука 95 dB(A); метод за оценка на съответствието съгласно приложение V. Категория продукт: 27 Техническа документация при: *
<b>mk</b>	2000/14/EC: Измерено ниво на звучна јачина 91 dB(A), несигурност К = 3 dB, загарантирано ниво на звучна јачина 95 dB(A); постапка за процена на сообразноста според прилог V. Категорија на производ: 27 Техничка документација кај: *
<b>sr</b>	2000/14/EC: izmereni nivo ostvarene buke 91 dB(A), nepouzdanost K = 3 dB, garantovani nivo ostvarene buke 95 dB(A); postupak ocenjivanja usaglašenosti prema prilogu V. Kategorija proizvoda: 27 Tehnička dokumentacija kod: *
<b>sl</b>	2000/14/ES: Izmerjena raven zvočne moči 91 dB(A), negotovost K = 3 dB, zagotovljena raven zvočne moči 95 dB(A); postopek za presojo skladnosti v skladu s prilogo V. Kategorija izdelka: 27 Tehnična dokumentacija pri: *
<b>hr</b>	2000/14/EZ: Izmjerena razina učinka buke 91 dB(A), nesigurnost K = 3 dB, zajamčena razina učinka buke 95 dB(A); postupak ocjenjivanja sukladnosti prema dodatku V. Kategorija proizvoda: 27 Tehnička dokumentacija se može dobiti kod: *
<b>et</b>	2000/14/EÜ: Mõõdetud helivõimsustase 91 dB(A), mõõtemääramatus K = 3 dB, garanteeritud helivõimsustase 95 dB(A); vastavuse hindamise meetod vastavalt lisale V. Tootekategooria: 27 Tehnilised dokumendid saadaval: *
<b>lv</b>	2000/14/EK: izmērītāis trokšņa jaudas līmenis ir 91 dB(A), izkliede K ir = 3 dB, garantētais trokšņa jaudas līmenis ir 95 dB(A); atbilstības novērtēšana ir veikta saskaņā ar pielikumu V. Izstrādājuma kategorija: 27 Tehniskā dokumentācija no: *
<b>lt</b>	2000/14/EB: išmatuotas garso galios lygis 91 dB(A), paklaida K = 3 dB, garantuotas garso galios lygis 95 dB(A); atitikties vertinimas atliktas pagal priedą V. Gaminio kategorija: 27 Techninė dokumentacija saugoma: *


**BOSCH**

 \* Bosch Lawn and Garden Ltd., PT-HG/ENS-PA2,  
Stowmarket, Suffolk IP14 1EY, England

 Henk Becker  
Executive Vice President  
Engineering and Manufacturing

 Helmut Heinzelmann  
Head of Product Certification



 Robert Bosch Power Tools GmbH, 70538 Stuttgart, GERMANY  
Stuttgart, 24.10.2017