



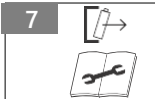
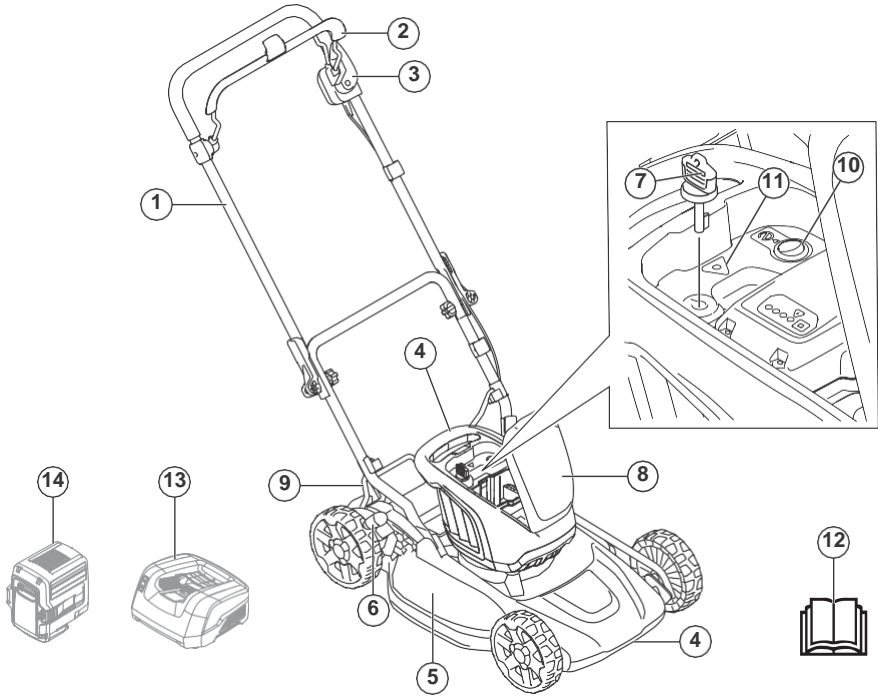
Husqvarna®

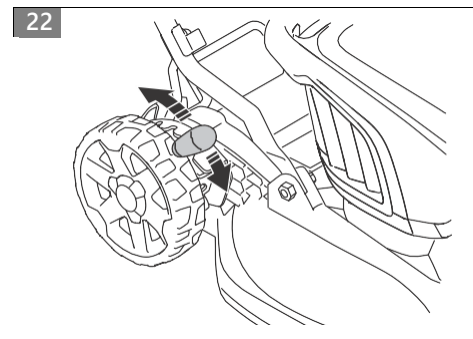
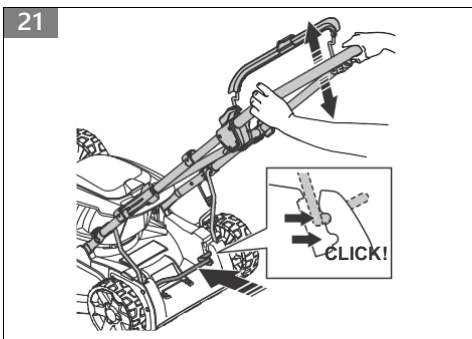
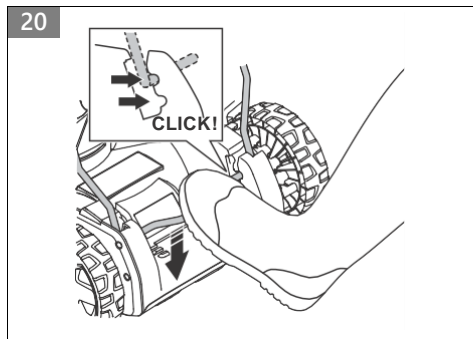
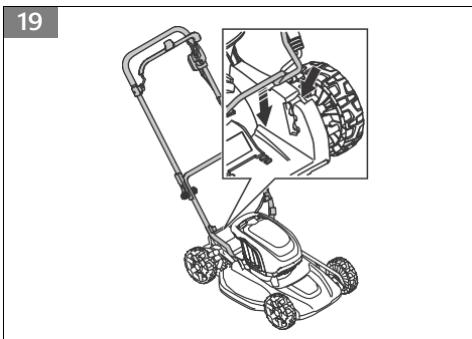
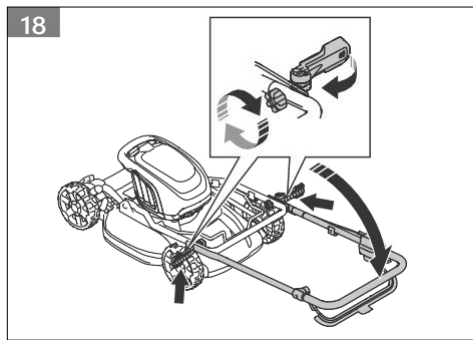
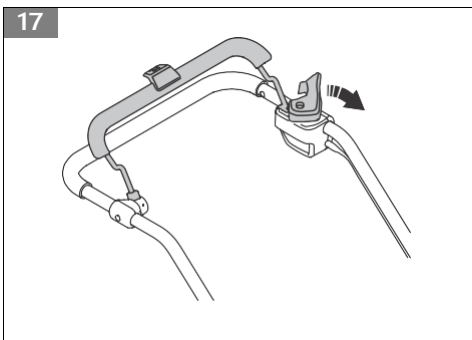
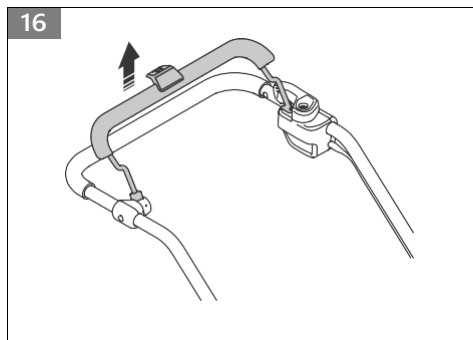
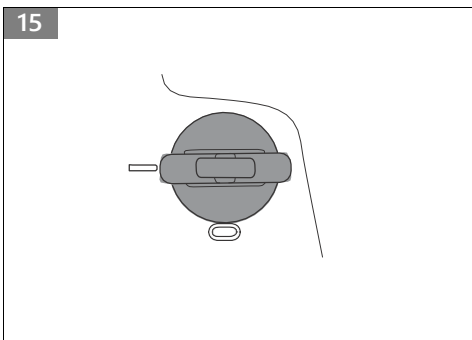


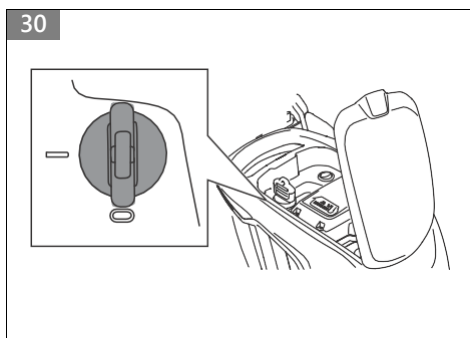
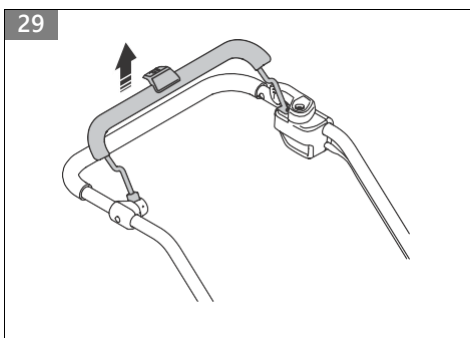
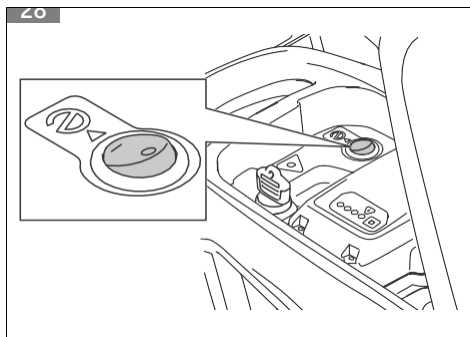
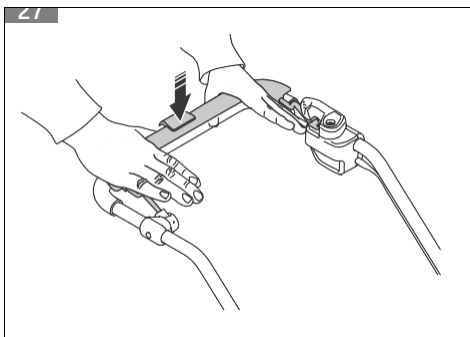
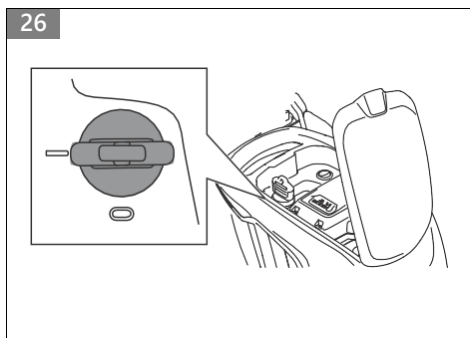
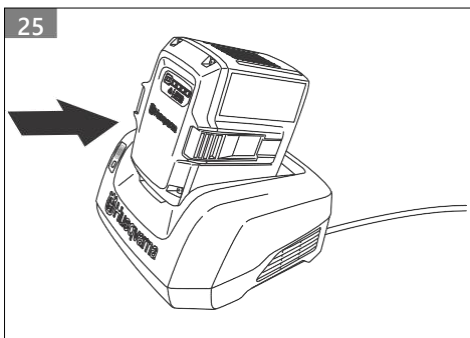
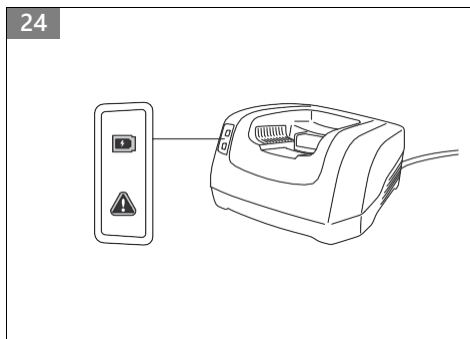
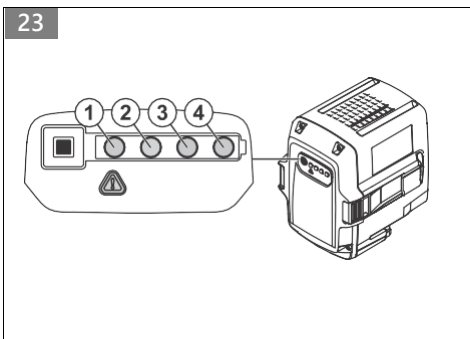
LB 144i



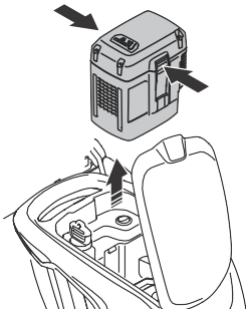
EN	Operator's manual	7-22
BG	Ръководство за експлоатация	23-40
CS	Návod k použití	41-55
DA	Brugsanvisning	56-70
DE	Bedienungsanweisung	71-87
EL	Οδηγίες χρήσης	88-105
ES	Manual de usuario	106-122
ET	Kasutusjuhend	123-137
FI	Käyttöohje	138-152
FR	Manuel d'utilisation	153-169
HR	Priručnik za korištenje	170-184
HU	Használati utasítás	185-200
IT	Manuale dell'operatore	201-216
LT	Operatoriaus vadovas	217-232
LV	Lietošanas pamācība	233-248
NL	Gebbruiksaanwijzing	249-264
NO	Bruksanvisning	265-279
PL	Instrukcja obsługi	280-296
PT	Manual do utilizador	297-313
RO	Instrucțiuni de utilizare	314-329
RU	Руководство по эксплуатации	330-348
SK	Návod na obsluhu	349-364
SL	Navodila za uporabo	365-379
SR	Priručnik za rukovaoca	380-395
SV	Bruksanvisning	396-410
TR	Kullanım kılavuzu	411-425
UK	Посібник користувача	426-443
JA	取扱説明書	444-458



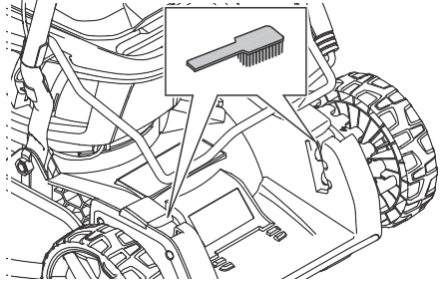




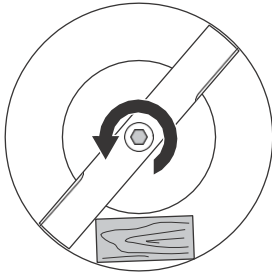
31



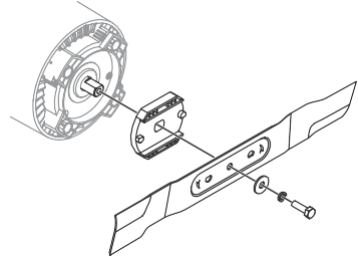
32



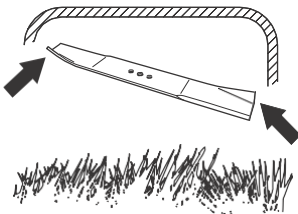
33



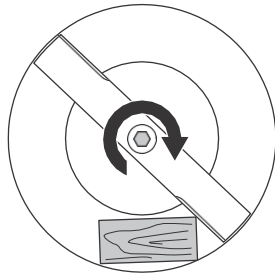
34



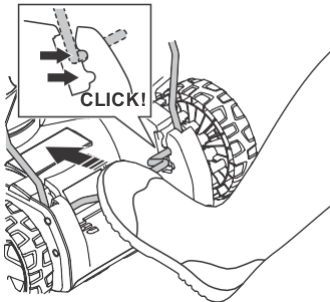
35



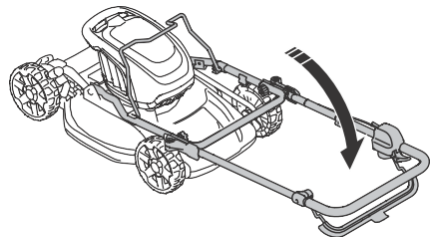
36



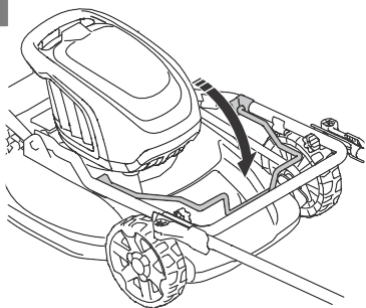
37



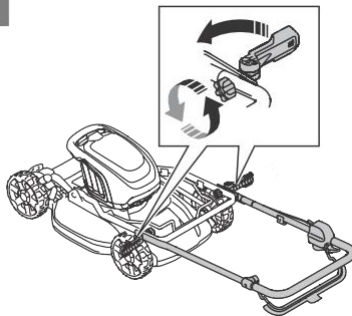
38



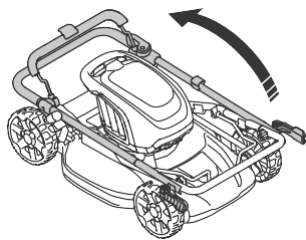
39



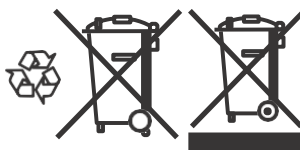
40



41



42



Contents

Introduction.....	7	Troubleshooting.....	17
Safety.....	8	Transportation, storage and disposal.....	18
Assembly.....	12	Technical data.....	19
Operation.....	13	Declaration of Conformity.....	21
Maintenance.....	15		

Introduction

Product description

The product is a pedestrian-controlled rotary lawn mower that uses BioClip to cut the grass into fertilizer.

Product overview

(Fig. 1)

1. Handle / Handlebar
2. Motor brake handle
3. Start inhibitor
4. Lift handles
5. Cutting deck
6. Cutting height lever
7. Safety key
8. Battery lid
9. Height adjustment bail for the handlebar
10. SavE button
11. Warning indicator (error LED)
12. Operator's manual
13. Battery charger (Accessory)
14. Battery (Accessory)

Symbols on the product

- (Fig. 2) WARNING
- (Fig. 3) Read the instructions.
- (Fig. 4) WARNING - Beware of thrown objects.
- (Fig. 5) Keep bystanders away.
- (Fig. 6) WARNING – Keep hands and feet away from the blades.
- (Fig. 7) WARNING – Disconnect battery before maintenance.
- (Fig. 8) The product or package of the product is not domestic waste. Recycle it at

Intended use

Use the product to cut grass. Do not use the product for other tasks.

a recycling station for electrical and electronic equipment.

(Fig. 9)

Noise emission to the environment label as per EU and UK directives and regulations, and New South Wales legislation "Protection of the Environment Operations (Noise Control) Regulation 2017". The guaranteed sound power level of the product is specified in Technical data on page 19 and on the label.

(Fig. 10)

This attachment is in accordance with applicable EC directives.

(Fig. 11)

This product conforms to applicable UK regulations.

(Fig. 12)

The product is drip protected.

(Fig. 13)

Release the motor brake handle to stop.

(Fig. 14)

Scannable code.

Note: Other symbols/decals on the product refer to certification requirements for some markets.

Product liability

As referred to in the product liability laws, we are not liable for damages that our product causes if:

- the product is incorrectly repaired.
- the product is repaired with parts that are not from the manufacturer or not approved by the manufacturer.
- the product has an accessory that is not from the manufacturer or not approved by the manufacturer.
- the product is not repaired at an approved service center or by an approved authority.

Safety

Safety definitions

Warnings, cautions and notes are used to point out specially important parts of the manual.



WARNING: Used if there is a risk of injury or death for the operator or bystanders if the instructions in the manual are not obeyed.



CAUTION: Used if there is a risk of damage to the product, other materials or the adjacent area if the instructions in the manual are not obeyed.

Note: Used to give more information that is necessary in a given situation.

General product safety warnings



WARNING: Read all safety warnings, instructions, illustrations and specifications provided with this product. Failure to follow all instructions listed below may result in electric shock, fire and/or serious injury.

Save all warnings and instructions for future reference. The term "product" in the warnings refers to your mains-operated (corded) product or battery-operated (cordless) product.

Work area safety

- **Keep work area clean and well lit.** Cluttered or dark areas invite accidents.
- **Do not operate the product in explosive atmospheres, such as in the presence of flammable liquids, gases or dust.** The product create sparks which may ignite the dust or fumes.
- **Keep children and bystanders away while operating the product.** Distractions can cause you to lose control.

Electrical safety

- **Product plugs must match the outlet. Never modify the plug in any way. Do not use any adapter plugs with earthed (grounded) products.** Unmodified plugs and matching outlets will reduce risk of electric shock.
- **Avoid body contact with earthed or grounded surfaces, such as pipes, radiators, ranges and refrigerators.** There is an increased risk of electric shock if your body is earthed or grounded.

- **Do not expose products to rain or wet conditions.** Water entering a product will increase the risk of electric shock.
- **Do not abuse the cord. Never use the cord for carrying, pulling or unplugging the product. Keep cord away from heat, oil, sharp edges or moving parts.** Damaged or entangled cords increase the risk of electric shock.
- **When operating a product outdoors, use an extension cord suitable for outdoor use.** Use of a cord suitable for outdoor use reduces the risk of electric shock.
- **If operating a product in a damp location is unavoidable, use a residual current device (RCD) protected supply.** Use of an RCD reduces the risk of electric shock.

Personal safety

- **Stay alert, watch what you are doing and use common sense when operating a product. Do not use a product while you are tired or under the influence of drugs, alcohol or medication.** A moment of inattention while operating products may result in serious personal injury.
- **Use personal protective equipment. Always wear eye protection.** Protective equipment such as dust mask, non-skid safety shoes, hard hat or hearing protection used for appropriate conditions will reduce personal injuries.
- **Prevent unintentional starting. Ensure the switch is in the off-position before connecting to power source and/or battery pack, picking up or carrying the product.** Carrying products with your finger on the switch or energising products that have the switch on invites accidents.
- **Remove any adjusting key or wrench before turning the product on.** A wrench or a key left attached to a rotating part of the product may result in personal injury.
- **Do not overreach. Keep proper footing and balance at all times.** This enables better control of the product in unexpected situations.
- **Dress properly. Do not wear loose clothing or jewellery. Keep your hair and clothing away from moving parts.** Loose clothes, jewellery or long hair can be caught in moving parts.
- **If devices are provided for the connection of dust extraction and collection facilities, ensure these are connected and properly used.** Use of dust collection can reduce dust-related hazards.
- **Do not let familiarity gained from frequent use of products allow you to become complacent and ignore product safety principles.** A careless action can cause severe injury within a fraction of a second.

Product use and care

- **Do not force the product. Use the correct product for your application.** The correct product will do the job better and safer at the rate for which it was designed.
- **Do not use the product if the switch does not turn it on and off.** Any product that cannot be controlled with the switch is dangerous and must be repaired.
- **Disconnect the plug from the power source and/or remove the battery pack, if detachable, from the product before making any adjustments, changing accessories, or storing products.** Such preventive safety measures reduce the risk of starting the product accidentally.
- **Store idle products out of the reach of children and do not allow persons unfamiliar with the product or these instructions to operate the product.** Products are dangerous in the hands of untrained users.
- **Maintain products and accessories. Check for misalignment or binding of moving parts, breakage of parts and any other condition that may affect the product's operation. If damaged, have the product repaired before use.** Many accidents are caused by poorly maintained products.
- **Keep cutting tools sharp and clean.** Properly maintained cutting tools with sharp cutting edges are less likely to bind and are easier to control.
- **Use the product, accessories and tool bits etc. in accordance with these instructions, taking into account the working conditions and the work to be performed.** Use of the product for operations different from those intended could result in a hazardous situation.
- **Keep handles and grasping surfaces dry, clean and free from oil and grease.** Slippery handles and grasping surfaces do not allow for safe handling and control of the product in unexpected situations.

Battery tool use and care

- **Recharge only with the charger specified by the manufacturer.** A charger that is suitable for one type of battery pack may create a risk of fire when used with another battery pack.
- **Use products only with specifically designated battery packs.** Use of any other battery packs may create a risk of injury and fire.
- **When battery pack is not in use, keep it away from other metal objects, like paper clips, coins, keys, nails, screws or other small metal objects, that can make a connection from one terminal to another.** Shorting the battery terminals together may cause burns or a fire.
- **Under abusive conditions, liquid may be ejected from the battery; avoid contact. If contact accidentally occurs, flush with water. If liquid contacts eyes, additionally seek medical help.** Liquid ejected from the battery may cause irritations or burns.
- **Do not use a battery pack or tool that is damaged or modified.** Damaged or modified batteries may exhibit

unpredictable behavior resulting in fire, explosion or risk of injury.

- **Do not expose a battery pack or tool to fire or excessive temperature.** Exposure to fire or temperature above 130 °C / 265 °F may cause explosion.
- **Follow all charging instructions and do not charge the battery pack or tool outside the temperature range specified in the instructions.** Charging improperly or at temperatures outside the specified range may damage the battery and increase the risk of fire.

Service

- **Have your product serviced by a qualified repair person using only identical replacement parts.** This will ensure that the safety of the product is maintained.
- **Never service damaged battery packs.** Service of battery packs should only be performed by the manufacturer or authorized service providers.

Lawnmower safety warnings

- **Do not use the lawnmower in bad weather conditions, especially when there is a risk of lightning.** This decreases the risk of being struck by lightning.
- **Thoroughly inspect the area for wildlife where the lawnmower is to be used.** Wildlife may be injured by the lawnmower during operation.
- **Thoroughly inspect the area where the lawnmower is to be used and remove all stones, sticks, wires, bones, and other foreign objects.** Thrown objects can cause personal injury.
- **Before using the lawnmower, always visually inspect to see that the blade and the blade assembly are not worn or damaged.** Worn or damaged parts increase the risk of injury.
- **Check the grass catcher frequently for wear or deterioration.** A worn or damaged grass catcher may increase the risk of personal injury.
- **Keep guards in place. Guards must be in working order and be properly mounted.** A guard that is loose, damaged, or is not functioning correctly may result in personal injury.
- **Keep all cooling air inlets clear of debris.** Blocked air inlets and debris may result in overheating or risk of fire.
- **While operating the lawnmower, always wear non-slip and protective footwear. Do not operate the lawnmower when barefoot or wearing open sandals.** This reduces the chance of injury to the feet from contact with the moving blade.
- **While operating the lawnmower, always wear long trousers.** Exposed skin increases the likelihood of injury from thrown objects.
- **Do not operate the lawnmower in wet grass. Walk, never run.** This reduces the risk of slipping and falling which may result in personal injury.

- **Do not operate the lawnmower on excessively steep slopes.** This reduces the risk of loss of control, slipping and falling which may result in personal injury.
- **When working on slopes, always be sure of your footing, always work across the face of slopes, never up or down and exercise extreme caution when changing direction.** This reduces the risk of loss of control, slipping and falling which may result in personal injury.
- **Use extreme caution when reversing or pulling the lawnmower towards you. Always be aware of your surroundings.** This reduces the risk of tripping during operation.
- **Do not touch blades and other hazardous moving parts while they are still in motion.** This reduces the risk of injury from moving parts.
- **When clearing jammed material or cleaning the lawnmower, make sure all power switches are off and the power cord is disconnected.** Unexpected operation of the lawnmower may result in serious personal injury.

- Do not use the product if you are tired, ill, or under the influence of alcohol, drugs or medicine. This has a negative effect on your vision, alertness, coordination and judgment.
- Do not use the product if it is defective.
- Do not change this product or use it if it is possible that it has been changed by others.

Work safety



WARNING: Read the warning instructions that follow before you use the product.

- Use this product to cut grass lawns only. It is not permitted to use it for other tasks.
- Use personal protective equipment. Refer to Personal protective equipment on page 11.
- Make sure that you know how to stop the motor quickly in an emergency.
- Do not operate the product in rain or wet conditions. The risk of electrical shock increases if water enters the product.
- Do not operate the product unless the blade and all covers are attached correctly. An incorrectly attached blade can come loose and cause personal injury.
- Make sure that the blade does not hit objects such as stones and roots. This can do damage to the blade and bend the motor shaft. A bent axle causes heavy vibration and a very high risk that the blade becomes loose.
- If the blade hits an object or if vibrations occur, stop the product immediately. Stop the motor, turn the safety key to 0 and remove the battery. Wait until moving parts stop. Examine the product for damages. Tighten loose parts. Repair damages and replace damaged parts. Let an approved service agent do the repair.
- Never attach the motor brake handle permanently to the handle when the motor is started.
- Put the product on a stable, flat surface and start it. Make sure that the blade does not hit the ground or other objects.
- Always stay behind the product when you operate it.
- Let all the wheels stay on the ground and keep 2 hands on the handle when you operate the product. Keep your hands and feet away from the rotating blades.
- Do not tilt the product when you start the motor or during operation of the product.
- Be careful when you pull the product rearward.
- Never lift up the product when the motor is started. If you must lift the product, first stop the motor, turn the safety key to 0 and remove the battery.
- Do not walk rearward when you operate the product.
- Stop the motor when it is necessary to tilt the product for transportation or before you move across

Residual current device

- Use a residual current device with a tripping current of maximum 30 mA.

General safety instructions



WARNING: Read the warning instructions that follow before you use the product.

- This product is dangerous if used incorrectly or if you are not careful. Injury or death can occur if you do not obey the safety instructions.
- This product produces an electromagnetic field during operation. This field may under some circumstances interfere with active or passive medical implants. To reduce the risk of serious or fatal injury we recommend persons with medical implants to consult their physician and the medical implant manufacturer before operating this product.
- Always be careful and use your common sense. If you are not sure how to operate the product in a special situation, stop and speak to your Husqvarna dealer before you continue.
- Keep in mind that the operator will be held responsible for accidents that involve other persons or their property.
- Keep the product clean. Make sure that you can clearly read signs and decals.
- Never allow children or people unfamiliar with these instructions to use the appliance. Local regulations may restrict the age of the operator.
- Always monitor a person, with decreased physical capacity or mental capacity, that uses the product. A responsible adult must be there at all times.

areas without grass, for example paths made of gravel, stone and asphalt.

- Do not run with the product when the motor is started. Always walk when you operate the product.
- Stop the motor before you change the cutting height. Never make adjustments with the motor started.
- Never let the product stay out of view with the motor started. Stop the motor and make sure that the cutting equipment does not rotate.
- The vibrations in the product during operation can be different from the declared vibration value in Technical data on page 19. The difference is caused by variations in how the product is used. If you operate the product frequently or for long periods of time, take breaks regularly to prevent injury from vibrations.

Safety instructions for operation

Personal protective equipment



WARNING: Read the warning instructions that follow before you use the product.

- Personal protective equipment cannot fully prevent injury but it decreases the degree of injury if an accident does occur. Let your dealer help you select the right equipment.
- Use heavy-duty slip-resistant boots or shoes. Do not use open shoes or go with bare feet.
- Use heavy, long pants.
- Use protective gloves when necessary, for example when you attach, examine or clean the cutting equipment.
- We recommend to use hearing protection.

Safety devices on the product



WARNING: Read the warning instructions that follow before you use the product.

- Do not use a product with defective safety devices.
- Do not remove or do modifications to safety devices.
- Do a check of the safety devices regularly. If the safety devices are defective, speak to your Husqvarna service agent.

To do a check of the cutting cover

The cutting cover decreases vibrations in the product and decreases the risk of injury from the blade.

- Examine the cutting cover to make sure that there are no damages such as cracks.

To do a check of the safety key

The safety key is below the battery lid. The safety key connects the battery that supplies the motor with power.

- Start and stop the motor to do a check of the safety key.
- If the safety key operates correctly, the motor can only start when the safety key is in position 1. (Fig. 15)

To do a check of the motor brake handle

The motor brake handle stops the motor. When the motor brake handle is released, the motor stops.

- Start the product. Refer to To start the product on page 14.
- Release the motor brake handle. (Fig. 16)
- Make sure that the product stops. If the motor does not stop in 3 seconds, let an approved Husqvarna service agent adjust the motor brake.

To do a check of the start inhibitor

Do a check of the start inhibitor to make sure that it prevents operation of the motor.

1. Push the motor brake handle in the direction of the handlebar. The start inhibitor stops the movement.
2. Push the start inhibitor out. (Fig. 17)
3. Release the start inhibitor and make sure that it goes back to its initial position.

Battery safety



WARNING: Read the warning instructions that follow before you use the product.

- Use Husqvarna rechargeable batteries as a power supply for related Husqvarna products only. To prevent injury, do not use the battery as a power supply for other devices.
- Do not use non-rechargeable batteries.
- Risk of electrical shock. Do not connect the battery terminals to keys, coins, screws or other metal. This can cause a short circuit of the battery.
- Do not put objects into the air slots of the battery.
- Keep the battery away from sunlight, heat or open flame. The battery can explode and cause burns and/or chemical burns.
- Keep the battery away from rain and wet conditions.
- Keep the battery away from microwaves and high pressure.
- Do not try to disassemble or break the battery.
- If the battery leaks, do not let the liquid touch your body or eyes. If you have touched the liquid, clean the area with a large quantity of water and get medical aid.
- Use the battery in the product only when the ambient temperature is between 5 °C - 40 °C.
- Use the battery charger only when the ambient temperature is between 5 °C - 40 °C.
- The battery will not charge if the battery temperature is more than 50 °C.

- Do not clean the battery or the battery charger with water. Refer to To clean the battery and the battery charger on page 16.
- Do not use a defective or damaged battery.
- Keep batteries in storage away from metal objects such as nails, coins, jewellery.

- Do not use the battery charger near flammable materials or materials that can cause corrosion. Do not cover the battery charger. Pull out the plug to the battery charger if there is smoke or fire.
- Do not use a defective or damaged battery charger.
- Only charge the battery indoors in a room with good airflow and away from sunlight. Do not charge the battery in wet conditions.

Battery charger safety



WARNING: Read the warning instructions that follow before you use the product.

- Use the QC battery chargers to charge Husqvarna replacement batteries only.
- Risk of electrical shock or short circuit. Do not put objects into the air slots of the charger. Do not try to disassemble the battery charger. Do not connect the charger terminals to metal objects. Use an approved mains socket.
- This product produces an electromagnetic field during operation. This field may under some circumstances interfere with active or passive medical implants. To reduce the risk of serious or fatal injury, we recommend persons with medical implants to consult their physician and the medical implant manufacturer before operating this product.
- Regularly make sure that the power cord of the battery charger is not damaged and that there are no cracks in it.
- Do not lift the battery charger by the power cord. To disconnect the battery charger from a mains socket, pull out the plug. Do not pull the power cord.
- Keep the power cord and extension cables away from water, oil and sharp edges. Make sure that the cable is not pinched in doors, fences or equivalent. It can cause the charger to become energized.
- Do not clean the battery charger with water.
- The battery charger can be used by children aged from 8 years and above and persons with reduced physical, sensory, or mental capabilities or lack of experience and knowledge if they have been given supervision or instruction concerning use of the battery charger in a safe way and understand the hazards involved. Children shall not play with the battery charger. Cleaning and user maintenance shall not be made by children without supervision.
- Do not charge non-rechargeable batteries in the battery charger.



WARNING: Read the warning instructions that follow before you use the product.

- To prevent accidental start during maintenance, turn the safety key to 0 and remove the battery. Wait at minimum 5 seconds before you start the maintenance.
- Only do the maintenance work written in this operator's manual. More extensive work and professional repairs must be done by an approved service agent. Speak to your nearest service agent for more information.
- Do the maintenance work correctly to increase the lifetime of the product and decrease the risk of accidents.
- Replace damaged, worn or broken parts. Always use original spare parts from the manufacturer. Other spare parts can cause damage to the product and increase the risk of accidents.
- To prevent injury, do not remove or do modifications to safety devices.
- Put on heavy duty gloves when you use the cutting equipment. The blade is very sharp and cuts can easily occur.
- Keep the cutting edges sharp and clean for the best and safest performance.
- Let your service agent regularly examine the product and make necessary adjustments and repairs.
- Obey the instructions for how to change accessories. Only use accessories from the manufacturer.
- When not in operation, keep the product, battery and battery charger apart in a dry, indoor and locked area. Make sure that children and persons that are not approved cannot get access to the product, battery or battery charger.

Assembly

Introduction



WARNING: Before you assemble the product, read the safety chapter.



WARNING: To prevent accidental start during assembly, turn the safety key to 0, remove the battery and wait at minimum 5 seconds.

To assemble the handle

1. Fold the upper handle forward.
2. Tighten the handle knobs. (Fig. 18)
3. Pull the handle rearward until it is in the end position.
4. Fold down the height adjustment bail and put it into the groove. (Fig. 19)

5. Press down the height adjustment bail with your foot. (Fig. 20)

To adjust the handle height

1. Press in the height adjustment bail with your foot.
2. Put the handlebar in the correct position and release the handlebar. (Fig. 21)

Operation

Introduction



WARNING: Before you operate the product, you must read and understand the safety chapter.

Husqvarna Connect

Husqvarna Connect is a free app for your mobile device. The Husqvarna Connect app gives extended functions for your Husqvarna product:

- Extended product information.
- Information about, and help with, product parts and servicing.

To start to use Husqvarna Connect

1. Download the Husqvarna Connect app on your mobile device.
2. Register in the Husqvarna Connect app.
3. Do the instruction steps in the Husqvarna Connect app to connect and register the product.

To set the product in operation position

1. Assemble the handle. Refer to To assemble the handle on page 13.
2. Adjust the handle height. Refer to To adjust the handle height on page 13.



CAUTION: Make sure that there is not too much tension in the cables. Too much tension can cause damage to the cable if the handle is folded into transport position.



WARNING: Do not operate the product unless the handle is fully folded up and set in one of the applicable height positions. Refer to To adjust the handle height on page 13.

To set the cutting height

The cutting height can be adjusted in 6 different steps.

1. Stop the engine.

2. Move the cutting height lever rearward to increase the cutting height. (Fig. 22)
3. Move the cutting height lever forward to decrease the cutting height.



CAUTION: Do not set the cutting height too low. The blades can hit the ground if the surface of the lawn is not level.

Battery



WARNING: Before you use the battery, you must read and understand the safety chapter. You must also read and understand the operator's manual for the battery and the battery charger.

Keep the battery and the battery charger in correct ambient temperatures.

	Ambient temperature
Operation of the battery	5 °C - 40 °C
Charging of the battery	5 °C - 40 °C

Battery status

The display shows the remaining battery capacity and if there are any problems with the battery. The battery capacity is displayed for 5 seconds after the product is switched off or the battery indicator button is pressed. The warning symbol on the battery is lit when an error has occurred. See Battery on page 17.

(Fig. 23)

LED lights	Battery status
All LEDs are lit	Fully charged (75-100%)
LED 1, LED 2, LED 3 are lit	The battery is 50%-75% charged
LED 1, LED 2 are lit	The battery is 25%-50% charged
LED 1 is lit	The battery is 0%-25% charged.

LED lights	Battery status
LED 1 flashes	The battery is empty. Charge the battery.

To charge the battery

Charge the battery before the first use. The battery is only 30% charged when supplied to the customer.

Note: The battery charger must be connected to the voltage and frequency specified on the rating plate.

The battery does not charge if the battery temperature is above 50°C. The battery charger decreases the temperature of the battery before it starts to charge.

1. Connect one end of the power cord for the battery charger into the socket of the battery charger.
2. Connect the other end of the power cord for the battery charger in an grounded mains socket. The LED on the battery charger flashes green one time. (Fig. 24)
3. Put the battery in the battery charger. The green light on the charger comes on when the battery is correctly connected to the battery charger. (Fig. 25)
4. When all LEDs on the battery have come on the battery is fully charged. Charge the battery for maximum 24 hours.
5. To disconnect the battery charger from the mains socket, pull the plug, not the power cord.
6. Remove the battery from the battery charger.

Battery charging status

Husqvarna Lithium-ion batteries can be charged or used at any charging level. The battery is not damaged. A fully charged battery will not lose its charge even when the battery is left in the charger.

LED display	Charging status
LED 1 flashes	0%-25%
LED 1 is lit, LED 2 flashes	25%-50%
LED 1, LED 2 are lit, LED 3 flashes	50%-75%
LED 1, LED 2, LED 3 are lit, LED 4 flashes	75%-100%
LED 1, LED 2, LED 3, LED 4 are lit	Fully charged

To start the product

1. Open the battery lid.
2. Put a charged battery in the battery holder.
3. Turn the safety key to 1. (Fig. 26)
4. Stay behind the product.

5. Loosen the start inhibitor. (Fig. 17)
6. Push the motor brake handle in the direction of the handlebar. (Fig. 27)

To use the SaveE™ function

The product has a battery saving function (SaveE™) that gives longer operation time.

- Push the SaveE™ button to position 1 to start the function. (Fig. 28)
- Push the SaveE™ button to position 0 to stop the function.

Note: The SaveE™ function stops automatically if the ground conditions make it necessary to have a higher output. The SaveE™ function starts automatically again when the ground conditions let it.

High load function

When the product cuts long or wet grass, the motor automatically increases rpm. The motor goes back to standard mode when high load is not necessary.

Motor stalling

During operation, the blade and motor can temporarily stop because of obstacles such as grass blockage below the cutting cover. If this occurs and you keep the motor brake handle pushed down, the product restarts automatically. If the product does not restart in 5-10 seconds, it can be necessary to clean below the cutting cover. Refer to To clean the product on page 16.



WARNING: If the motor stops, the product tries to restart automatically for 5-10 seconds. Wait for a minimum of 15 seconds before you do a check of the cutting cover.



WARNING: Before a check of the cutting cover, release the motor brake handle, turn the safety key to 0, remove the battery and wait for a minimum of 5 seconds. There is a risk of injury if the obstacle is removed and the product accidentally starts.

To stop the product



WARNING: Turn the safety key to 0 before you let the product out of view.

1. Release the motor brake handle to stop the motor. (Fig. 29)
2. Open the battery lid and turn the safety key to 0. (Fig. 30)
3. To remove the battery, push the 2 release buttons and pull out the battery. (Fig. 31)

4. Charge the battery if it is weak. For more information, refer to To charge the battery on page 14.

To get a good result

- Always use a sharp blade. A blunt blade gives an irregular result and the cut surface of the grass becomes yellow. A sharp blade also uses less energy than a blunt blade.
- Do not cut more than $\frac{1}{3}$ of the length of the grass. Cut first with the cutting height set high. Examine the result and lower the cutting height to an applicable level. If the grass is very long, drive slowly and cut 2 times if necessary.

- Cut in different directions each time to prevent stripes in the lawn.
- Keep the cutting cover clean. Buildup from grass and dirt on the inner side of the cutting cover can decrease the cutting result. Refer to To clean the product on page 16.

Maintenance

Introduction



WARNING: Before you do maintenance, you must read and understand the safety chapter.

For all servicing and repair work on the product, special training is necessary. We guarantee the availability of professional repairs and servicing. If your dealer is not a service agent, speak to them for information about the nearest service agent.

For more detailed information, refer to www.husqvarna.com.

Maintenance schedule

The maintenance intervals are calculated from daily use of the product. The intervals change if the product is not used daily.

For maintenance identified with * see instructions in Safety on page 8.

	Each use	Monthly	Each season
Do a general inspection.	X		
Clean the product.	X		
Clean the area around the handle height adjustment bail.	X		
Do a check of the start inhibitor. *	X		
Make sure that the safety devices on the product are not defective. *	X		
Examine the cutting equipment.	X		
Examine the cutting cover. *	X		
Do a check of the motor brake handle. *	X		
Examine the battery for damage.	X		
Do a check of the battery charge.	X		
Make sure that the release buttons on the battery operates correctly and that the battery locks into the product.	X		
Examine the battery charger for damage and make sure that it operates correctly.		X	
Examine the connections between the battery and the product. Also examine the connection between the battery and the battery charger.			X

To do a general inspection

- Make sure that the nuts and screws on the product are tightened.
- Make sure that the cables on the product are not in a position where they can get damaged.

To clean the product

- Clean plastic parts with a clean and dry cloth.
- Do not use water to clean the product. Water can enter the battery or the motor and cause short circuit or damage to the product.
- Do not use a high pressure washer to clean the product.
- Do not flush water directly on the motor.
- Use a brush to remove leaves, grass and dirt.

To clean the battery and the battery charger



WARNING: Do not clean the battery or the battery charger with water.



WARNING: Do not use any chemical substances to clean the battery.

- Make sure that the battery and the battery charger are clean and dry before you put the battery into the battery charger.
- Clean the battery terminals with compressed air or use a soft and dry cloth.
- Clean the surfaces of the battery and the battery charger with a soft and dry cloth.

To clean the area around the handle height adjustment bail

- Use a brush to remove leaves, grass and dirt. (Fig. 32)

To examine the cutting equipment



WARNING: To prevent accidental start, turn the safety key to 0, remove the battery and wait a minimum 5 seconds.



WARNING: Use protective gloves when you do maintenance on the cutting

equipment. The blade is very sharp and cuts can easily occur.

1. Examine the cutting equipment for damage or cracks. Always replace a damaged cutting equipment.
2. Look at the blade to see if it is damaged or blunt.

Note: It is necessary to balance the blade after it is sharpened. Let a service center sharpen, replace and balance the blade. If you hit an obstacle that causes the product to stop, replace the damaged blade. Let the service center estimate if the blade can be sharpened or must be replaced.

To replace the blade

Refer to Technical data on page 19 for the correct type of blade.



WARNING: Lock the blade with a block of wood to prevent injury to fingers when you replace the blade. The blade can be moved when the motor is off and fingers can become trapped between the blade and stationary parts.

1. Lock the blade with a block of wood. (Fig. 33)
2. Remove the blade bolt, the spring washer and the blade. (Fig. 34)
3. Examine the blade support and blade bolt to see if there are damages.
4. Examine the motor shaft to make sure that it is not bent.
5. When you attach the new blade, point the angled ends of the blade in the direction of the cutting cover. (Fig. 35)
6. Make sure that the blade is aligned with the center of the motor shaft.
7. Lock the blade with a block of wood. Attach the spring washer and tighten the bolt and washer with a torque of 23–28 Nm. (Fig. 36) (Fig. 34)
8. Pull the blade around by hand and make sure that it turns freely.



WARNING: Use heavy duty gloves. The blade is very sharp and cuts can easily occur.

9. Start the product to do a test of the blade. If the blade is not correctly attached, there is vibration in the product or the cutting result is unsatisfactory.

Troubleshooting

Battery

LED on the battery	Cause	Solution
The green LED flashes.	The battery voltage is low.	Charge the battery. Refer to To charge the battery on page 14.
The error LED flashes.	The battery is weak.	Charge the battery. Refer to To charge the battery on page 14.
	The temperature in the work environment is too high or too low.	Use the battery in temperatures between 5 °C - 40 °C.
	Overvoltage.	Make sure that the mains voltage is the same as on the rating plate on the product. Remove the battery from the battery charger. Wait 5 seconds and try again to charge the battery. If the problem continues, speak to an approved service agent.
The error LED is on.	The cell difference too much (1V).	Speak to an approved service agent.

Battery charger

LED on the battery charger	Cause	Solution
The error LED flashes.	The temperature in the work environment is too high or too low.	Use the battery charger in temperatures between 5 °C - 40 °C.
The error LED is on.		Speak to an approved service agent.

Lawn mower

The warning indicator (error LED) is found below the battery lid.

Problem	Error LED (number of flashes)	Cause	Solution
Error LED flashes. The product does not operate correctly.	5	The blade is blocked.	Turn the safety key to 0 to prevent accidental start. Remove the battery and wait a minimum of 5 seconds. Remove possible obstacles and make sure that the blade can rotate freely. If the problem continues, speak to an approved service agent.
		The motor speed drops too much, and the motor stops.	Increase the cutting height. Refer to To set the cutting height on page 13.
	10	The motor control is too hot.	Stop the motor and wait until it has become cool.
Error LED flashes. The product stops.	0	Battery connector failure.	Examine the battery connector.
	3	There is overload in the motor.	Increase the cutting height. Refer to To set the cutting height on page 13.
	8	The battery is weak.	Charge the battery. Refer to To charge the battery on page 14.
	9	Battery error or no signal from battery.	Put the battery in the product correctly and examine the battery connector. If the error LED on the battery flashes. Refer to Battery status on page 13.
	12	Incorrect start procedure. The motor brake handle has been engaged before the motor starts.	Release the motor brake handle and wait approximately 5 seconds. Push the motor brake handle down again to start the product.
Other errors.	If other errors occur, turn the safety key to 0, remove the battery and speak to an approved service agent.		

Transportation, storage and disposal

Introduction



WARNING: To prevent accidental start during transport and storage turn the safety key to 0, remove the battery and wait a minimum of 5 seconds.

To set the product in transport position

1. Push the height adjustment bail with your foot. (Fig. 37)
2. Pull up the handle and pull out the height adjustment bail from the groove.
3. Fold the handle forward until it has reached the end position. (Fig. 38)
4. Fold the height adjustment bail towards the cutting cover. (Fig. 39)

5. Release the handle knobs. (Fig. 40)
6. Fold the upper handle rearwards. (Fig. 41)

Transportation

- The Dangerous Goods Legislation requirements apply to the contained Li-ion batteries.
- For commercial transports special requirements on package and labels must be obeyed.
- Make sure that you obey the regulations for dangerous material when you prepare the product for transport. Local regulations can apply.
- Always remove the battery for transport.
- Put tape on the battery connectors and make sure that the battery cannot move around during transport.
- Attach the product during transport.

Storage

- Before storage, let the product become cool.
- Always remove the battery for storage.
- To prevent accidents, make sure that the battery is not connected to the product during storage.
- Keep the battery charger in a closed and dry space.
- Keep the battery and the battery charger in a dry space where there is no moisture or frost.
- Disconnect the battery from the battery charger during storage.
- Do not keep the battery where static electricity can occur. Do not keep the battery in a metal box.
- Keep the product where the ambient temperature is between -10°C and 40°C.
- Keep the battery where the ambient temperature is between 5 °C and 25 °C and out of sunlight.
- Keep the battery charger where the ambient temperature is between 5 °C and 45 °C and out of sunlight.
- Make sure that the battery is charged to 30% - 50% before you put it in storage for long periods.
- Keep the product, battery and battery charger in a locked area out of reach for children and not approved persons.

- Clean the product and make sure that the grass catcher is empty.
- Do the maintenance procedures given in this operator's manual. Refer to Maintenance schedule on page 15.
- Do a complete servicing before you put the product in storage for a long time.

Disposal

Symbols on the product or the packaging of the product indicate that this product cannot be handled as domestic waste. It must be submitted to an appropriate recycling station for the recovery of electrical and electronic equipment.

By ensuring that this product is taken care of correctly, you can help to counteract the potential negative impact on the environment and people that can otherwise result through the incorrect waste management of this product. For more detailed information about recycling this product, contact your municipality, your domestic waste service or the shop from where you purchased the product.

(Fig. 42)

Technical data

	LB 144i
Cutting motor	
Motor type	BLDC (brushless) 36V
Motor speed – SavE, rpm	2600/min
Motor speed – Nominal, rpm	3200/min
Motor speed – High load, rpm	3500/min
Motor output – max. kW	0.9
Motor output – Nominal, kW	0.75
Drive motor	
Motor output – Nominal, kW	N/A
Self walk speed, km/h	N/A
Speed adjustment levels	N/A
Weight	
Weight (excl. battery), kg	15.5
Weight (incl. 1x BLi30), kg	17.5
Battery	
Type of battery	Husqvarna Battery Series

	LB 144i
Battery runtime	
Battery runtime, min, (free run) with SavE activated, with one Husqvarna 7.5 Ah battery (BLi30).	170
Battery runtime, min, (free run) with standard mode activated, with one Husqvarna 7.5 Ah battery (BLi30).	135
Noise emissions ¹	
Sound power level, measured dB (A)	90
Sound power level, guaranteed L _{WA} dB (A)	92
Sound levels ²	
Sound pressure level at the operator's ear, dB (A)	77
Vibration levels ³	
Handle, m/s ²	0.7
Cutting equipment	
Cutting height, mm	25-75
Cutting width, cm	44
Blade Standard	Mulch 5298073-10
Blade accessory	N/A

Approved batteries	Type	Battery capacity, Ah	Voltage, V	Weight, lb/kg
40-B140	Lithium-ion	4.0	36	2.6/1.2
BLi30	Lithium-ion	7.5	36	4.2/1.9

Approved chargers for the specified batteries, BLi	Input voltage, V	Frequency, Hz	Power, W
40-C80	100-240	50-60	68.8
QC250	220-240	50	250

¹ Noise emissions in the environment measured as sound power (L_{WA}) in conformity with EC directive 2000/14/EC.

² Reported data for noise pressure level has an uncertainty factor (K) of 1.5 dB (A).

³ Reported data for vibration level has an uncertainty factor (K) of 1.5 m/s². The declared vibration total value has been measured in accordance with standard EN 62841-4-3, Annex I and may be used for comparing one machine with another and in a preliminary assessment of exposure.

Declaration of Conformity

EU Declaration of Conformity

We, **Husqvarna AB**, SE-561 82 Huskvarna, Sweden, tel: +46-36-146500, declare on our sole responsibility that the product:

Description	Lawn Mower
Brand	Husqvarna
Type / Model	LB 144i
Identification	Serial numbers dating from 2022 and onwards

complies fully with the following EU directives and regulations:

Regulation	Description
2006/42/EC	"relating to machinery"
2014/30/EU	"relating to electromagnetic compatibility"
2000/14/EC	"relating to the noise emissions in the environment"
2011/65/EU	"on the restriction of the use of certain hazardous substances in electrical and electronic equipment"

and that the following standards and/or technical specifications are applied: EN 62841-1:2015/AC:2015, EN IEC 62841-4-3:2021/A11:2021, EN ISO 12100:2010, EN 55014-1:2021, EN 55014-2:2021, EN IEC 61000-6-2:2019, EN IEC 61000-6-3:2021, EN IEC 63000:2018

Notified Body: 0404, RISE SMP Svensk Maskinprovning AB, Box 4053, SE-904 03 Umeå, Sweden has certified conformity with the council's directive 2000/14/EC, conformity assessment procedure: Annex VI.

For information relating to noise emissions, refer to Technical data on page 19.

Huskvarna, 2022-12-05



Claes Losdal, Development Manager/Garden Products
Husqvarna AB

Responsible for technical documentation



UK Declaration of Conformity

We, **Husqvarna AB**, SE-561 82 Huskvarna, Sweden, tel: +46-36-146500, declare on our sole responsibility that the product:

Description	Lawn Mower
Brand	Husqvarna
Type / Model	LB 144i
Identification	Serial numbers dating from 2022 and onwards

complies fully with the following UK regulations:

Description
The Restriction of the Use of Certain Hazardous Substances in Electrical and Electronic Equipment Regulations 2012
The Supply of Machinery (Safety) Regulations 2008
The Noise Emission in the Environment by Equipment for use Outdoors Regulations 2001, schedule 9
Electromagnetic Compatibility Regulations 2016

and that the following standards and/or technical specifications are applied: EN 62841-1:2015/AC:2015, EN IEC 62841-4-3:2021/A11:2021, EN ISO 12100:2010, EN 55014-1:2021, EN 55014-2:2021, EN IEC 61000-6-2:2019, EN IEC 61000-6-3:2021, EN IEC 63000:2018

Notified Body: 0404, RISE SMP Svensk Maskinprovning AB, Box 4053, SE-904 03 Umeå, Sweden has certified conformity with the council's directive 2000/14/EC, conformity assessment procedure: Annex VI.

For information relating to noise emissions, refer to Technical data on page 19.

Huskvarna, 2022-12-05



Claes Losdal, Development Manager/Garden Products
Husqvarna AB

Responsible for technical documentation



UK Importer:
Husqvarna UK Ltd
Preston Road, Co. Durham
DL5 6UP

Съдържание

Въведение.....	23	Отстраняване на проблеми.....	35
Безопасност.....	24	Транспортиране, съхранение и изхвърляне.....	36
Монтаж.....	30	Технически характеристики.....	37
Операция.....	30	Декларация за съответствие.....	40
Поддръжка.....	33		

Въведение

Описание на продукта

Продуктът е пешеходно управлявана ротационна косачка за трева, която използва BioClip за нарязване на тревата и превръщането ѝ в изкуствен тор.

Общ преглед на продукта

(Фиг. 1)

1. Ръкохватка/удължителна дръжка
2. Ръкохватка за спирачката на двигателя
3. Блокировка на стартирането
4. Повдигащи ръкохватки
5. Платформа за рязане
6. Лост за височината на рязане
7. Ключ за безопасност
8. Капак на акумулаторната батерия
9. Дръжка за регулиране на височината за удължителната дръжка
10. Бутон Save
11. Индикатор за предупреждение (светодиод за грешка)
12. Ръководство за оператора
13. Зарядно устройство за акумулаторни батерии (принадлежност)
14. Акумулаторна батерия (принадлежност)

Символи върху продукта

(Фиг. 2) ПРЕДУПРЕЖДЕНИЕ

(Фиг. 3) Прочетете инструкциите.

(Фиг. 4) ПРЕДУПРЕЖДЕНИЕ – пазете се от изхвърлени предмети.

(Фиг. 5) Не допускате наблизно странични наблюдатели.

(Фиг. 6) ПРЕДУПРЕЖДЕНИЕ – дръжте ръцете и краката си настрана от ножовете.

Предназначение

Използвайте продукта за косене на трева. Не използвайте продукта за други задачи.

(Фиг. 7) ПРЕДУПРЕЖДЕНИЕ – разкачете акумулаторната батерия преди техническо обслужване.

(Фиг. 8) Продуктът или опаковката на продукта не е битов отпадък. Рециклирайте го в станция за рециклиране за електрическо и електронно оборудване.

(Фиг. 9) Етикет за шумовите емисии за околната среда съгласно директивите и регламентите на ЕС и Обединеното кралство и законодателството на Нов Южен Уелс "Регламент 2017 относно защитата от дейности, оказващи влияние на околната среда (контрол на шума)". Гарантираното ниво на звуковата мощност на продукта е посочено в Технически характеристики на страница 37 и на етикета.

(Фиг. 10) Тази приставка отговаря на изискванията на приложимите директиви на ЕО.

(Фиг. 11) Този продукт съответства на приложимите регламенти на Обединеното кралство.

(Фиг. 12) Този продукт е защитен от капки.

(Фиг. 13) Освободете ръкохватката за спирачката на двигателя, за да спрете.

(Фиг. 14) Код с възможност за сканиране.

Забележка: Останалите символи/стикери на продукта се отнасят до изисквания по отношение на сертификати за определени пазари.

Отговорност за продукта

Както е посочено в законите за отговорност за вреди, причинени от стоки, ние не носим отговорност за щети, причинени от нашия продукт, ако:

- продуктът е неправилно ремонтиран.
- продуктът е ремонтиран с части, които не са от производителя или не са одобрени от производителя.
- продуктът има принадлежност, която не е от производителя или не е одобрена от производителя.
- продуктът не е ремонтиран в одобрен сервизен център или от одобрен орган.

Безопасност

Дефиниции за безопасност

Предупреждения, знаци за внимание и бележки се използват за указване на особено важни части на инструкцията.



ПРЕДУПРЕЖДЕНИЕ: Използва се, ако има опасност от нараняване или смърт за оператора или за околните, ако не се спазват инструкциите в ръководството.



ВНИМАНИЕ: Използва се, ако има опасност от повреждане на машината, други материали или съседната зона, ако не се спазват инструкциите в ръководството.

Забележка: Използва се за предоставяне на повече информация, която е необходима в дадена ситуация.

Общи предупреждения за безопасност за продукта



ПРЕДУПРЕЖДЕНИЕ: Прочетете всички предупреждения за безопасност, инструкции, илюстрации и спецификации, предоставени с този продукт. Неспазването на всички инструкции, изброени по-долу, може да доведе до електрически удар, пожар и/или сериозно нараняване.

Запазете всички предупреждения и инструкции за бъдещи справки. Терминът "продукт" в предупрежденията се отнася за продукт с електрическо задвижване (с кабел) или такъв с акумулаторна батерия (безжичен).

Безопасност на работната област

- Поддържайте работната област/работна участък чиста и добре осветена. Мръсните и тъмните области са по-предразполагащи към инциденти.

- Не работете с продукта в експлозивна среда, като например в присъствието на запалителни течности, газове или прах. Продуктът създава искри, които може да запалят праха или дима.
- Дръжте децата и околните настрана, докато работите с продукта. Разсейването може да доведе до загуба на контрол.

Електрическа безопасност

- Щепселите на продукта трябва да съответстват на контакта. Никога не променяйте щепселите по какъвто и да било начин. Не използвайте никакви адаптерни щепсели със заземени продукти. Немодифицираните щепсели и съответстващи им контакти ще намалят рисковете от токов удар.
- Избягвайте контакт на тялото със заземени или замасени повърхности, като тръби, радиатори и хладилници. Има повишен риск от електрически удар, ако Вашето тяло е заземено или замасено.
- Не излагайте продуктите на дъжд или мокра околна среда. Навлизането на вода в продукта повишава риска от токов удар.
- Не насилвайте кабела. Никога не използвайте кабела за носене, дърпане или изключване на продукта от мрежата. Пазете шнура далече от топлинни източници, масло, остри ръбове или движещи се части. Повредените или заплетени кабели увеличават риска от токов удар.
- Когато работите с продукта навън, използвайте удължителен кабел, който е подходящ за употреба на открито. Кабелът, който е подходящ за употреба на открито, намалява риска от токов удар.
- Ако работата с електрически инструмент на влажно място е неизбежна, използвайте захранване с устройство за дефектнотокова защита (RCD). Използването на RCD намалява риска от електрически удар.

Лична безопасност

- Бъдете нащрек, внимавайте какво правите и бъдете разсъдливи, когато работите с продукт. Не използвайте продукта, когато сте изморени или когато сте под влиянието на наркотици, алкохол или лекарства. Един миг невнимание по време на работа с продуктите може да доведе до тежко телесно нараняване.

- Използвайте лични предпазни средства. Винаги носете защитни средства за очите. Предпазните средства като респираторна маска, непързлящи се предпазни обувки, твърда каска или антифони, използвани за съответните условия, ще намалят телесните повреди.
- Не допускате нежелано стартиране. Уверете се, че превключвателят е в изключено положение, преди да свържете захранващия източник и/или акумулаторната батерия, когато вземате или носите продукта. Носенето на продукти с пръст на превключвателя или включването в мрежата на продукти с прекъсвач във включено положение е предпоставка за злополуки.
- Отстранете всички ключове за регулиране или гаечни ключове, преди да включите продукта. Гаечен ключ или ключ, който е оставен присъединен към въртящата се част на продукта, може да доведе до нараняване.
- Не се протягайте прекалено надалеч, докато работите. Поддържайте съответната стъпка и баланс през цялото време. Това осигурява по-добър контрол на продукта в неочаквани ситуации.
- Обличайте се подходящо. Никога не носете широки дрехи или украшения. Дръжте косата и дрехите си далеч от движещите се части на инструмента. Свободновисящи дрехи, бижута или дълга коса могат да бъдат захванати от движещите се части.
- Ако са предоставени устройства за свързване на изсмукване на прах и съдове за събиране, уверете се, че те са свързани и се използват правилно. Използването на съдове за събиране на прах може да намали опасностите, свързани с праха.
- Не позволявайте на натрупания опит от честата употреба на продукти да Ви вдъхне прекомерна увереност и да игнорирате принципите за безопасност. Едно нехайно действие може да причини сериозно нараняване за част от секундата.

Използване и грижа за продукта

- Не насилвайте продукта. Използвайте подходящия продукт за Вашето приложение. Подходящият продукт ще свърши работата по-добре и по-безопасно със скоростта, за която е бил създаден.
- Не използвайте продукта, ако превключвателят не го включва и изключва. Всеки продукт, който не може да се управлява с превключвателя, е опасен и трябва да бъде ремонтиран.
- Разкачете щепсела от електрическия източник и/или премахнете акумулаторната батерия от продукта, ако може да се отстрани, преди да правите каквито и да било настройки, да сменяте принадлежности или да съхранявате продукти. Тези предпазни мерки намаляват риска от нежелано стартиране на продукта.

- Съхранявайте неизползваните продукти на недостъпно за деца място и не разрешавайте на хора, които не са запознати с продукта или с тези инструкции, да работят с него. Продуктите са опасни в ръцете на необучени потребители.
- Поддържайте продуктите и принадлежностите. Проверявайте за разцентроване или задиране на движещите се части, счупвания на части или други състояния, които могат да се отразят на работата на продукта. Ако продуктът бъде повреден, дайте го за ремонт, преди да го използвате. Много инциденти възникват за лошо поддържани продукти.
- Поддържайте режещите инструменти остри и чисти. Правилно поддържаните режещи инструменти с остри режещи краища са по-трудни за огъване и се контролират по-лесно.
- Използвайте продукта, принадлежностите, приставките и др. в съответствие с тези инструкции, като имате предвид условията и естеството на работата, която извършвате. Използването на продукта за операции, различни от тези, за които е предназначен, може да доведе до опасни ситуации.
- Поддържайте ръкохватките и повърхностите за хващане сухи, чисти и без масло и грес. Хлъзгавите ръкохватки и повърхности за захващане не позволяват безопасно боравене и контрол над продукта при непредвидени ситуации.

Употреба и грижа за инструмента на батерия

- Презареждайте само със зарядно устройство, определено от производителя. Зарядно устройство, което е подходящо за един вид батерия, може да създаде опасност от злополука, когато се използва с друга батерия.
- Използвайте продуктите само със специално определените акумулаторни батерии. Използването на други батерии може да създаде опасност от нараняване и пожар.
- Когато батерията не е в употреба, дръжте я далече от други метални предмети, като кламери, монети, ключове, пирони, винтове или други, които могат да свържат едната клемма с другата. Окъсяване на изводите на батерията може да предизвика изгаряния или пожар.
- При злоупотреба от акумулатора може да бъде изхвърлена течност – избягвайте допир. В случай на случаен контакт изгладнете с вода. Ако течността попадне в очите, потърсете допълнителна медицинска помощ. Течност, изхвърлена от акумулатора, може да причини раздразнения или изгаряния.
- Не използвайте акумулаторната батерия или продукт, който е променен или повреден. Повредените или модифицирани батерии могат да имат непредсказуемо поведение, което да

доведе до пожар, експлозия или опасност от нараняване.

- Не излагайте акумулаторната батерия или уреда на огън или прекомерна температура. Излагането на огън или температура над 130°C/265°F може да предизвика експлозия.
- Спазвайте всички инструкции за зареждане и не зареждайте акумулаторната батерия или уреда извън температурния диапазон, посочен в инструкциите. Неправилното зареждане или зареждането при температури извън определения диапазон може да повредят акумулаторната батерия и да увеличат риска от пожар.

Обслужване

- Техническото обслужване на Вашия продукт трябва да се извършва от квалифицирано лице, като се използват само идентични резервни части. Това ще гарантира поддържането на безопасността на продукта.
- Никога не обслужвайте повредени акумулаторни батерии. Обслужването на акумулаторни батерии трябва да се извършва само от производителя или оторизирани сервиси.

Предупреждения за безопасност на косачката за трева

- Не използвайте косачката за трева при лоши метеорологични условия, особено когато има риск от мълнии. Това намалява риска да бъдете ударени от мълния.
- Проверете внимателно площта, където ще се използва косачката за трева, за наличие на диви животни. По време на работа косачката за трева може да нарани диви животни.
- Проверете внимателно площта, където ще се използва косачката за трева, и отстранете всички камъни, пръчки, проводници, кости и други чужди предмети. Изхвърлените предмети могат да причинят телесна повреда.
- Преди употреба винаги проверявайте визуално косачката за трева, за да се уверите, че ножът и модулетъ на ножа не са износени или повредени. Износените или повредени части увеличават риска от нараняване.
- Проверявайте често коша за трева за износвания или влошаване на качествата. Износеният или повреден кош за трева може да увеличи риска от телесна повреда.
- Дръжте предпазителите на място. Предпазителите трябва да са в изправност за работа и да са правилно монтирани. Разхлабен, повреден или неправилно функциониращ предпазител може да доведе до телесна повреда.
- Поддържайте всички входни отвори за охлаждащ въздух чисти от отпадъци. Блокираните входни

отвори за въздух и остатъците може да доведат до прегряване или риск от пожар.

- По време на работа с косачката за трева винаги носете неплъзгащи се и защитни обувки. Не работете с косачката за трева, когато сте боси или носите отворени сандали. Това намалява вероятността от нараняване на краката при контакт с движещия се нож.
- Когато работите с косачката за трева, винаги носете дълги панталони. Съществува вероятност откритите части на кожата да бъдат наранени от изхвърлени предмети.
- Не работете с косачката за трева в мокра трева. Ходете, никога не тичайте. Това намалява риска от подхлъзване и падане, което може да доведе до телесна повреда.
- Не работете с косачката за трева по прекалено стръмни наклони. Това намалява риска от загуба на контрол, подхлъзване и падане, което може да доведе до телесна повреда.
- Когато работите по наклони, винаги се уверявайте, че сте стъпили добре, винаги работете напредно на наклоните, никога нагоре или надолу, и бъдете изключително внимателни при смяна на посоката. Това намалява риска от загуба на контрол, подхлъзване и падане, което може да доведе до телесна повреда.
- Бъдете изключително внимателни при движение на заден ход или при дърпане на косачката за трева към себе си. Внимавайте за заобикалящата среда. Това намалява риска от преобръщане по време на работа.
- Не докосвайте ножовете и други опасни движещи се части, докато те все още се движат. Това намалява риска от нараняване от движещи се части.
- Когато отстранявате заседнал материал или почиствате косачката за трева, се уверете, че всички прекъсвачи са изключени и захранващият шнур е разкачен. Неочакваното задействане на косачката за трева може да доведе до сериозна телесна повреда.

Дефектнотокова защита

- Използвайте дефектнотокова защита с максимален ток на задействане от 30 mA.

Общи инструкции за безопасност



ПРЕДУПРЕЖДЕНИЕ: Прочетете следващите предупредителни указания, преди да използвате продукта.

- Този продукт е опасен, ако се използва неправилно или ако не сте внимателни. Неспазването на инструкциите за безопасност може да доведе до нараняване или смърт.
- Този продукт създава електромагнитно поле по време на работа. При някои условия това поле може да предизвика смущения в активни или

пасивни медицински импланти. За да намалите риска от тежко или смъртоносно нараняване, ние препоръчваме лицата с медицински импланти да говорят с лекаря си и производителя на медицинския имплант, преди да започнат да работят с тази машина.

- Винаги бъдете внимателни и подхождайте разумно. Ако не сте сигурни как да работите с продукта при специална ситуация, спрете и се обърнете към Вашия дилър на Husqvarna, преди да продължите.
- Имайте предвид, че операторът носи отговорност за нещастни случаи, включващи други хора или тяхното имущество.
- Поддържайте продукта чист. Уверете се, че разчитате ясно знаците и стикерите.
- Никога не позволявайте на деца или на хора, непознати с тези инструкции, да използват уреда. Местните разпоредби може да поставят възрастови ограничения за оператора.
- Винаги наблюдавайте лица с намален физически или умствен капацитет, които използват продукта. През цялото време трябва да присъства отговорен възрастен.
- Не използвайте продукта, ако сте уморени, болни или под въздействието на алкохол, наркотици или лекарства. Това състояние оказва отрицателно въздействие върху Вашето зрение, бдителност, координация и преценка.
- Не използвайте продукта, ако е неизправен.
- Не променяйте този продукт или не го използвайте, ако има вероятност той да е бил променен от друг.

Безопасност при работа



ПРЕДУПРЕЖДЕНИЕ: Прочетете следващите предупредителни указания, преди да използвате продукта.

- Използвайте този продукт само за косене на морави. Не се допуска използването му за други цели.
- Използвайте лични предпазни средства. Вижте Лични предпазни средства на страница 28.
- Уверете се, че знаете как бързо да спрете двигателя при аварийна ситуация.
- Не използвайте продукта при дъжд или влага. Опасността от токов удар се повишава при навлизане на вода в продукта.
- Не работете с продукта, докато ножът и всички капаци не се монтират правилно. Неправилно монтираният нож може да се разхлаби и да причини телесна повреда.
- Уверете се, че ножът няма да се удря в обекти, като например камъни и корени. Това може да доведе до повреда на ножа и до огъване на двусекционния вал на двигателя. Огънатата ос

предизвиква силни вибрации и има много голяма опасност ножът да се разхлаби.

- Ако ножът се удари в някакъв обект или се получат вибрации, спрете веднага продукта. Спрете двигателя, завъртете ключа за безопасност на 0 и отстранете акумулатора. Изчакайте спирането на движещите се части. Проверете продукта за повреди. Затегнете разхлабените части. Отстранете повредите и сменете повредените части. Възложете ремонта на упълномощен сервиз.
- Никога не прикрепяйте ръкохватката за спирачката на двигателя за постоянно върху дръжката, когато двигателят е стартиран.
- Поставете продукта върху стабилна, равна повърхност и го стартирайте. Уверете се, че ножът не се допира в земята или в други предмети.
- Винаги стойте зад продукта, когато го използвате.
- Всички колела трябва да бъдат на земята и да държите дръжката с 2 ръце, когато работите с продукта. Дръжете ръцете и краката си далеч от въртящите се ножове.
- Не накланяйте продукта при стартиране на двигателя или по време на работа на продукта.
- Бъдете внимателни, когато дърпате продукта назад.
- Никога не повдигайте продукта при стартиран двигател. Ако се наложи да вдигате продукта, първо спрете двигателя, завъртете ключа за безопасност на 0 и отстранете акумулатора.
- Не се движете назад при работа с продукта.
- Спрете двигателя, когато е необходимо да наклоните продукта за транспортиране или когато преминавате през области без трева, като пътеки от чакъл, камък и асфалт.
- Не тичайте с продукта, докато двигателят работи. Винаги ходете, когато работите с продукта.
- Спрете двигателя, преди да промените височината на рязане. Никога не извършвайте регулировки при работещ двигател.
- Никога не оставяйте продукта без надзор, когато двигателят работи. Спрете двигателя и се уверете, че режещото оборудване не се върти.
- Вибрациите на продукта по време на работа могат да се различават от декларираната стойност на вибрациите в Технически характеристики на страница 37. Разликата е в резултат на различните начини на използване на продукта. Ако работите с продукта често или за дълги периоди от време, правете редовно почивки, за да предотвратите нараняване от вибрации.

Инструкции за безопасност за работа

Лични предпазни средства



ПРЕДУПРЕЖДЕНИЕ: Прочетете следващите предупредителни указания, преди да използвате продукта.

- Личните предпазни средства не изключват изцяло риска от нараняване, но намаляват степента на нараняването при злополука. Нека Вашият доставчик Ви помогне да изберете подходящото оборудване.
- Носете ботуши или обувки, устойчиви на хлъзгане. Не носете отворени обувки и не ходете боси.
- Използвайте дълги панталони от здрав плат.
- Когато е необходимо, носете защитни ръкавици, например, когато закрепвате, проверявате или почиствате режещото оборудване.
- Препоръчваме използване на средства за защита на слуха.

Приспособления за безопасност на машината



ПРЕДУПРЕЖДЕНИЕ: Прочетете следващите предупредителни указания, преди да използвате продукта.

- Не използвайте машина с неизправни приспособления за безопасност.
- Не отстранявайте и не правете модификации по устройствата за безопасност.
- Проверявайте редовно приспособленията за безопасност. Ако приспособленията за безопасност са дефектни, говорете с Вашия сервиз Husqvarna.

За проверка на капака срещу порязване

Капакът срещу порязване намалява вибрациите в продукта и опасността от нараняване, причинени от острието.

- Проверете капака срещу порязване, за да се уверите, че няма повреди, като например пукнатини.

За проверка на ключа за безопасност

Ключът за безопасност е под капака на акумулатора. Ключът за безопасност свързва акумулатора, който захранва двигателя с енергия.

- Стартирайте и спрете двигателя, за да извършите проверка на ключа за безопасност.
- Ако ключът за безопасност работи правилно, двигателят стартира само когато ключът е в положение 1. (Фиг. 15)

За проверка на ръкохватката на спирачката на двигателя

Ръкохватка за спирачката на двигателя спира двигателя. Когато ръкохватката за спирачката на двигателя бъде пусната, двигателят спира.

- Стартирайте продукта. Вижте За стартиране на продукта на страница 32.
- Освободете ръкохватката на спирачката на двигателя. (Фиг. 16)
- Уверете се, че продуктът спира. Ако двигателят не спре след 3 секунди, позволете на одобрен сервиз на Husqvarna да регулира спирачката на двигателя.

За проверка на блокировката на стартирането

Направете проверка на блокировката на стартирането, за да се уверите, че тя не допуска работата на двигателя.

1. Натиснете ръкохватката за спирачката на двигателя по посока на управлението. Блокировката на пускането спира движението.
2. Натиснете блокировката на пускането навън. (Фиг. 17)
3. Освободете блокировката на пускането и се уверете, че тя се е върнала в първоначалното си положение.

Безопасност на акумулатора



ПРЕДУПРЕЖДЕНИЕ: Прочетете следващите предупредителни указания, преди да използвате продукта.

- Използвайте акумулаторни батерии Husqvarna като източник на захранване само на продукти Husqvarna. За да предотвратите нараняване, не използвайте акумулаторната батерия като източник на захранване за други устройства.
- Не използвайте акумулатори, които не се презареждат.
- Опасност от електрически удар. Не свързвайте клемите на акумулатора с ключове, монети, винтове или други метални предмети. Това може да доведе до късо съединение на акумулаторната батерия.
- Не поставяйте предмети във въздушните отвори на акумулаторната батерия.
- Съхранявайте акумулаторната батерия далеч от слънчева светлина, топлина или открит огън. Акумулаторът може да се взриви и да причини изгаряния и/или химически изгаряния.
- Съхранявайте акумулаторната батерия далеч от дъжд или влага.
- Съхранявайте акумулаторната батерия далеч от микровълни и високо налягане.

- Не се опитвайте да разглобите или счупите акумулаторната батерия.
- Ако има в акумулатора има теч, не оставяйте течността да влиза в контакт с тялото и очите. Ако докоснете течността, измийте мястото с обилно количество вода и потърсете медицинска помощ.
- Използвайте акумулаторната батерия в продукт само когато околната температура е в границите на 5°C – 40°C.
- Използвайте зарядното устройство само когато околната температура е в границите на 5°C – 40°C.
- Акумулаторната батерия няма да се зарежда, ако нейната температура е по-висока от 50°C.
- Не почиствайте акумулаторната батерия или зарядното устройство с вода. Вижте За почистване на акумулаторната батерия и зарядното устройство за акумулаторни батерии на страница 34.
- Не използвайте дефектен или повреден акумулатор.
- Съхранявайте акумулаторите далеч от метални предмети като пирони, монети, бижута.
- Дръжте захранващия кабел и удължаващите шнурове далеч от вода, масло или остри ръбове. Уверете се, че кабелът не е защитан от врати, огради и подобни. Това може да доведе до напрежение в зарядното устройство.
- Не почиствайте зарядното устройство с вода.
- Това зарядно устройство може да се използва от деца на възраст от 8 години нагоре и лица с физически, сетивни или умствени способности или без знания и опит, ако са под надзор или са получили инструкции за безопасно използване на зарядното устройство и разбират свързаните с това рискове. Децата не трябва да си играят със зарядното устройство. Почистването и потребителската поддръжка не трябва да се извършват от деца без надзор.
- Не зареждайте акумулатори без възможност за зареждане в зарядното устройство.
- Не използвайте зарядното устройство близо до запалими материали или материали, които причиняват корозия. Не покривайте зарядното устройство. Ако има дим или огън, извадете щепсела на зарядното устройство.
- Не използвайте дефектно или повредено зарядно устройство.
- Зареждайте акумулатора само на закрито, в помещение с добра вентилация и далеч от слънчева светлина. Не зареждайте акумулаторната батерия във влажна условия.

Инструкции за безопасност за зарядното устройство на акумулаторната батерия



ПРЕДУПРЕЖДЕНИЕ: Прочетете следващите предупредителни указания, преди да използвате продукта.

- Използвайте зарядните устройства QC за зареждане само на резервни акумулатори Husqvarna.
- Опасност от токов удар или късо съединение. Не поставяйте предмети във въздушните отвори на зарядното устройство. Не опитвайте да демонтирате зарядното устройство. Не свързвайте клемите на зарядното устройство към метални предмети. Използвайте одобрен електрически контакт.
- Този продукт създава електромагнитно поле по време на работа. При някои условия това поле може да предизвика смущения в активни или пасивни медицински импланти. За да намалите риска от сериозно или смъртоносно нараняване, ние препоръчваме лицата с медицински импланти да говорят с лекаря си и производителя на медицинския имплант, преди да започнат да работят с този продукт.
- Редовно проверявайте дали кабелът на зарядното устройство на акумулатора не е повреден и напукан.
- Не вдигайте зарядното устройство, като го държите за шнура. За да изключите зарядното устройство от стенния контакт, дръпнете щепсела. Не дърпайте захранващия шнур.

Инструкции за безопасност при техническо обслужване



ПРЕДУПРЕЖДЕНИЕ: Прочетете следващите предупредителни указания, преди да използвате продукта.

- За да предотвратите случайно стартиране по време на техническо обслужване, завъртете ключа за безопасност на 0 и извадете акумулатора. Изчакайте най-малко 5 секунди преди да започнете техническото обслужване.
- Изпълнявайте стъпките от техническото обслужване, посочени в тази инструкция за експлоатация. По-значителни ремонтни дейности и професионални ремонти трябва да се извършват от одобрен сервиз. За повече информация говорете с най-близкия до Вас сервиз.
- Извършете правилно техническото обслужване, за да увеличите срока на експлоатация на продукта и да намалите опасността от инциденти.
- Заменете повредени, износени или счупени части. Винаги използвайте оригинални резервни части от производителя. Други резервни части могат да доведат до повреждане на продукта и да увеличат риска от злополуки.

- За предотвратяване на нараняване не отстранявайте устройствата за безопасност и не ги модифицирайте.
- Сложете ръкавици за тежки условия, когато използвате режещото оборудване. Ножът е много остър и можете лесно да се порежете.
- Поддържайте режещите краища остри и чисти за най-добра и безопасна производителност.
- Редовно проверявайте продукта при Вашия сервиз и извършвайте необходимите корекции и ремонтни дейности.
- Следвайте инструкциите за смяна на аксесоарите. Използвайте само аксесоари от производителя.
- Когато не ги използвате, съхранявайте продукта, акумулатора и зарядното устройство отделно на закрито сухо и заключено място. Уверете се, че деца и лица, които не са одобрени, не могат да получат достъп до продукта, акумулатора или зарядното устройство.

Монтаж

Введение



ПРЕДУПРЕЖДЕНИЕ: Преди да сглобите машината, прочетете главата за безопасност.



ПРЕДУПРЕЖДЕНИЕ: За да предотвратите случайно стартиране по време на монтаж, завъртете ключа за безопасност на 0, отстранете акумулатора и изчакайте най-малко 5 секунди.

За монтиране на ръкохватката

1. Сгънете горната ръкохватка напред.

2. Затегнете фиксаторите на ръкохватката. (Фиг. 18)
3. Издърпайте ръкохватката назад, докато достигне крайно положение.
4. Сгънете надолу дръжката за регулиране на височината и я поставете в жлеба. (Фиг. 19)
5. Натиснете надолу с крак дръжката за регулиране на височината. (Фиг. 20)

За регулиране на височината на ръкохватката

1. Натиснете с крак дръжката за регулиране на височината.
2. Поставете удължителната дръжка в правилното положение и я освободете. (Фиг. 21)

Операция

Введение



ПРЕДУПРЕЖДЕНИЕ: Преди работа с продукта трябва да прочетете и разберете главата за безопасност.

Husqvarna Connect

Husqvarna Connect е безплатно приложение за Вашето мобилно устройство. Приложението Husqvarna Connect осигурява разширени функции за Вашия продукт на Husqvarna:

- Разширена продуктова информация.
- Информация и помощ за частите на продукта и сервизното обслужване.

За да започнете да използвате Husqvarna Connect

1. Изтеглете приложението Husqvarna Connect на Вашето мобилно устройство.
2. Регистрирайте се в приложението Husqvarna Connect.

3. Изпълнете стъпките с инструкции в приложението Husqvarna Connect, за да свържете и регистрирате продукта.

За задаване на продукта в положение за работа

1. Монтирайте ръкохватката. Направете справка с За монтиране на ръкохватката на страница 30.
2. Регулирайте височината на ръкохватката. Направете справка с За регулиране на височината на ръкохватката на страница 30.



ВНИМАНИЕ: Уверете се, че кабелите не са опънати прекалено много. Прекаленото опъване може да причини повреда на кабела, ако ръкохватката бъде сгъната в положение при транспортиране.



ПРЕДУПРЕЖДЕНИЕ: Не работете с продукта, ако ръкохватката не е сгъната докрай нагоре и не е зададена в едно от приложимите

положения за височина. Направете справка с За регулиране на височината на ръкохватката на страница 30.

За задаване на височината на рязане

Височината на рязане може да бъде регулирана в 6 различни степени.

1. Спрете двигателя.
2. Преместете назад лоста за височина на рязане, за да увеличите височината на рязане. (Фиг. 22)
3. Преместете напред лоста за височина на рязане, за да намалите височината на рязане.



ВНИМАНИЕ: Не задавайте твърде ниска височина на рязане. Ножовете могат да се ударят в земята, ако повърхността на моравата не е равна.

Акумулатор



ПРЕДУПРЕЖДЕНИЕ: Преди да използвате акумулатора, трябва да прочетете и разберете главата за безопасност. Вие трябва също да прочетете и разберете ръководството на оператора за акумулатора и зарядното устройство.

Поддържайте подходяща околна температура за акумулаторната батерия и зарядното устройство.

	Околна температура
Работа на акумулаторната батерия	5°C – 40°C
Зареждане на акумулаторната батерия	5°C – 40°C

Статус на батерията

Дисплеят показва оставащия капацитет на акумулатора и дали има някакви проблеми с акумулатора. Капацитетът на акумулатора се показва за 5 секунди, след като продуктът бъде изключен или бутонът за индикатора на батерията бъде натиснат. Символът за предупреждение върху акумулатора свети, когато има грешка. Вижте Акумулатор на страница 35.

(Фиг. 23)

Светодиодни лампи	Статус на батерията
Всички светодиоди светят	Напълно зареден (75 – 100%)

Светодиодни лампи	Статус на батерията
Светодиоди 1, 2, 3 светят	Акумулаторът е зареден на 50% – 75%
Светодиоди 1 и 2 светят	Акумулаторът е зареден на 25% – 50%
Светодиод 1 свети	Акумулаторът е зареден на 0% – 25%.
Светодиод 1 мига	Батерията е изтощена. Заредете батерията.

За зареждане на акумулатора

Заредете акумулатора преди използване за първи път. Акумулаторът е зареден само на 30%, когато се доставя на клиента.

Забележка: Зарядното устройство на акумулатора трябва да бъде свързано към напрежението и честотата, посочени на типовата табелка.

Акумулаторът не се зарежда, ако температурата на акумулатора е над 50°C. Зарядното устройство намалява температурата на акумулатора, преди да започне да зарежда.

1. Свържете единия край на захранващия шнур на зарядното устройство в гнездото на зарядното устройство.
2. Свържете другия край на захранващия шнур за зарядното устройство в заземен контакт. Светодиодът на зарядното устройство примигва един път в зелено. (Фиг. 24)
3. Поставете батерията в зарядното устройство. Когато акумулаторът е правилно свързан към зарядното устройство, на зарядното устройство светва зелена светлина. (Фиг. 25)
4. Когато всички светодиоди на акумулатора светнат, акумулаторът е напълно зареден. Зареждайте акумулатора за най-много 24 часа.
5. За да разкачите зарядното устройство на акумулатора от контакта, издърпайте щепсела, а не кабела.
6. Извадете батерията от зарядното устройство.

Състояние на зареждане на акумулатора

Husqvarna Литиево-йонните акумулатори могат да бъдат заредени или използвани във всяко ниво на заряда. Батерията не се поврежда. Напълно заредената батерия няма да се разрези, дори когато е оставена в зарядното устройство.

Светодиоден дисплей	Състояние на зареждането
Светодиод 1 мига	0% – 25%

Светодиоден дисплей	Състояние на зареждането
Светодиод 1 свети, светодиоди 2 мига	25%-50%
Светодиоди 1 и 2 светят, светодиоди 3 мига	50%-75%
Светодиоди 1, 2 и 3 светят, светодиоди 4 мига	75%-100%
Светодиоди 1, 2, 3 и 4 светят	Напълно зареден

почисти пространството под капака на режещите части. Направете справка с За почистване на машината на страница 34.



ПРЕДУПРЕЖДЕНИЕ: Ако двигателят спре, продуктът се опитва да се рестартира автоматично в продължение на 5 – 10 секунди. Изчакайте минимум 15 секунди, преди да извършите проверка на капака на режещите части.



ПРЕДУПРЕЖДЕНИЕ: Преди да извършите проверка на капака на режещите части, освободете ръкохватката за спирачката на двигателя, завъртете ключа за безопасност на 0, отстранете акумулаторната батерия и изчакайте минимум 5 секунди. Има риск от нараняване, ако след отстраняването на препятствието продуктът стартира неочаквано.

За стартиране на продукта

1. Отворете капака на акумулаторната батерия.
2. Поставете заредена акумулаторна батерия в държача за акумулаторни батерии.
3. Завъртете ключа за безопасност на 1. (Фиг. 26)
4. Останете зад продукта.
5. Разхлабете блокировката на стартирането. (Фиг. 17)
6. Натиснете ръкохватката за спирачката на двигателя по посока на управлението. (Фиг. 27)

За да използвате функцията SaveE™

Продуктът разполага с функция за пестене на енергия на акумулатора (SaveE™), която осигурява по-дълго време на работа.

- Натиснете бутона SaveE™ в позиция 1, за да стартирате функцията. (Фиг. 28)
- Натиснете бутона SaveE™ в позиция 0, за да спрете функцията.

Забележка: Функцията SaveE™ спира автоматично, ако условията на терена изискват по-висока мощност. Функцията SaveE™ стартира автоматично отново, когато условията на терена го позволяват.

Функция на високо натоварване

Когато продуктът реже дълга или влажна трева, двигателят автоматично повишава оборотите. Двигателят се връща към стандартен режим, когато не е необходимо голямо натоварване.

Спиране на двигателя

По време на работа ножът и двигателят могат да спрат временно поради препятствия, като например натрупване на трева под капака на режещите части. Ако се случи това и Вие държите ръкохватката за спирачката на двигателя натисната надолу, продуктът се рестартира автоматично. Ако продуктът не се рестартира в рамките на 5 – 10 секунди, може да се окаже необходимо да се

За спиране на продукта



ПРЕДУПРЕЖДЕНИЕ: Завъртете ключа за безопасност на 0, преди да оставите продукта без надзор.

1. Освободете ръкохватката за спирачката на двигателя, за да спрете двигателя. (Фиг. 29)
2. Отворете капака на акумулатора и завъртете ключа за безопасност в положение 0. (Фиг. 30)
3. За да извадите акумулатора, натиснете 2-та бутон за освобождаване и извадете акумулатора. (Фиг. 31)
4. Заредете акумулатора, ако е изтощен. За повече информация вжте За зареждане на акумулатора на страница 31.

За получаване на добър резултат

- Винаги използвайте остър нож. Косенето със затъпен нож е неравномерно и окосената повърхност пожълтява. При работа с остър нож също така се използва по-малко енергия отколкото при работа със затъпен нож.
- Не отрязвайте повече от 1/3 от дължината на тревата. Първо, косете със зададена висока височина на рязане. Вижте какъв е резултатът и намалете височината на рязане до подходящо ниво. Ако тревата е много висока, карайте бавно и – ако е необходимо – окосете два пъти.
- Режете всеки път в различни посоки, за да избегнете образуването на линии в моравата.

- Поддържайте капака за рязане чист. Натрупването на трева и замърсявания по вътрешната страна на капака за рязане могат да намалят резултата от рязането. Вижте За почистване на машината на страница 34.

Поддръжка

Въведение



ПРЕДУПРЕЖДЕНИЕ: Преди да извършите техническо обслужване, трябва да прочетете и разберете главата за безопасност.

За всички работи по обслужването и поправката на продукта е необходимо специално обучение. Осигуряваме предлагане на професионални ремонти и обслужване. Ако Вашият дилър не предлага сервизно обслужване, се свържете с него, за да Ви даде информация за най-близкия сервиз.

За по-подробна информация направете справка с www.husqvarna.com.

Разписание за техническо обслужване

Интервалите за техническо обслужване са изчислени в зависимост от ежедневната употреба на продукта. Интервалите се променят, ако продуктът не се използва ежедневно.

За техническо обслужване, маркирано със *, вижте инструкциите в Безопасност на страница 24.

	При всяка употреба	Всеки месец	Всеки сезон
Извършете обща проверка.	X		
Почистете продукта.	X		
Почистете зоната около дръжката за регулиране на височината на ръкохватката.	X		
Извършете проверка на блокировката на стартирането. *	X		
Уверете се, че устройствата за безопасност на продукта не са дефектни. *	X		
Прегледайте режещото оборудване.	X		
Проверете капака на режещите части. *	X		
Извършете проверка на ръкохватката за спирачката на двигателя. *	X		
Проверете акумулаторната батерия за повреда.	X		
Извършете проверка на заряда на акумулаторната батерия.	X		
Уверете се, че бутоните за освобождаване на акумулаторната батерия работят изправно и че акумулаторната батерия се фиксира на място в продукта.	X		
Проверете зарядното устройство за акумулаторни батерии за повреда и се уверете, че работи правилно.		X	
Проверете връзките между акумулаторната батерия и продукта. Освен това проверете връзката между акумулаторната батерия и зарядното устройство за акумулаторни батерии.			X

За извършване на обща проверка

- Уверете се, че всички гайки и винтове на продукта са затегнати.

- Уверете се, че кабелите на продукта не са в положение, в което могат да бъдат повредени.

За почистване на машината

- Почиствайте пластмасовите части със суха кърпа.
- Не използвайте вода за почистване на продукта. Водата може да навлезе в акумулатора или в двигателя и да причини късо съединение или повреда на продукта.
- Не мийте продукта с устройство за миене под високо налягане.
- Не пръскайте вода директно върху двигателя.
- За отстраняване на листа, трева и прах използвайте четка.

За почистване на акумулаторната батерия и зарядното устройство за акумулаторни батерии



ПРЕДУПРЕЖДЕНИЕ: Не почиствайте акумулаторната батерия или зарядното устройство за акумулаторни батерии с вода.



ПРЕДУПРЕЖДЕНИЕ: Не използвайте никакви химически вещества за почистване на акумулаторната батерия.

- Преди да поставите акумулаторната батерия в зарядното устройство за акумулаторни батерии, се уверете, че акумулаторната батерия и зарядното устройство за акумулаторни батерии са чисти и сухи.
- Почистете клемите на акумулаторната батерия със сгъстен въздух или използвайте мека и суха кърпа.
- Почистете повърхностите на акумулаторната батерия и зарядното устройство за акумулаторни батерии с мека и суха кърпа.

За почистване на зоната около дръжката за регулиране на височината на ръкохватката

- За отстраняване на листа, трева и замърсявания използвайте четка. (Фиг. 32)

За проверка на режещото оборудване



ПРЕДУПРЕЖДЕНИЕ: За да предотвратите случайно стартиране, завъртете ключа за безопасност на 0, отстранете акумулатора и изчакайте най-малко 5 секунди.



ПРЕДУПРЕЖДЕНИЕ: Носете защитни ръкавици, когато ще изпълнявате дейности, свързани с техническото обслужване на режещото оборудване. Ножът е много остър и можете лесно да се порежете.

1. Проверете режещото оборудване за повреди или пукнатини. Винаги заменяйте повреденото режещо оборудване.
2. Погледнете ножа, за да разберете дали не е повреден или затъпен.

Забележка: Необходимо е да балансирате ножа след заточване. Ножът се заточва, сменя и балансира от сервизен център. Ако ударите препятствие и вследствие на това продуктът спре, сменете повредения нож. Оставете специалистите в сервиза да преценят дали ножът ще трябва да се заточи, или да се смени.

За смяна на ножа

Направете справка с Технически характеристики на страница 37 за правилния тип нож.



ПРЕДУПРЕЖДЕНИЕ:

Фиксирайте ножа с дървено блокче, за да предотвратите нараняването на пръстите Ви при смяна на ножа. Когато двигателят е изключен, ножът може да се премести и пръстите да бъдат захванати между ножа и неподвижните части.

1. Фиксирайте ножа с дървено блокче. (Фиг. 33)
2. Отстранете болта на ножа, пружинната шайба и ножа. (Фиг. 34)
3. Проверете опората на ножа и болта на ножа, за да видите дали има повреди.
4. Проверете двусекционния вал на двигателя, за да се уверите, че не е огънат.
5. Когато закрепвате новия нож, насочете извитите краища на ножа по посока към капака на режещите части. (Фиг. 35)
6. Уверете се, че ножът е подравнен с центъра на двусекционния вал на двигателя.
7. Фиксирайте ножа с дървено блокче. Закрепете пружинната шайба и затегнете болта и шайбата с въртящ момент 23–28 Nm. (Фиг. 36) (Фиг. 34)
8. Раздвижете ножа на ръка и се уверете, че той се върти свободно.



ПРЕДУПРЕЖДЕНИЕ:

Използвайте ръкавици с висока здравина. Ножът е много остър и можете лесно да се порежете.

9. Стартирайте продукта, за да извършите тест на ножа. Ако ножът не е закрепен правилно, продуктът вибрира или резултатът от косенето е незадоволителен.

Отстраняване на проблеми

Акумулатор

Светодиод на акумулатора	Причина	Решение
Зеленият светодиод мига.	Напрежението на акумулатора е ниско.	Заредете акумулаторната батерия. Вижте За зареждане на акумулатора на страница 31.
Светодиодът за грешка мига.	Акумулаторът е изтощен.	Заредете акумулаторната батерия. Вижте За зареждане на акумулатора на страница 31.
	Температурата в работната среда е прекалено висока или прекалено ниска.	Използвайте акумулаторната батерия при температури между 5°C – 40°C.
	Свръхнапрежение.	Уверете се, че напрежението на електрическата мрежа е същото като на типовата табелка на продукта. Извадете акумулатора от зарядното устройство. Изчакайте 5 секунди и опитайте отново да заредите акумулатора. Ако проблемът продължава, обърнете се към одобрен сервиз.
Светодиодът за грешка свети.	Разликата в клетките е твърде голяма (1 V).	Обърнете се към одобрен сервиз.

Зарядно устройство за акумулаторна батерия

Светодиод на зарядното устройство	Причина	Решение
Светодиодът за грешка мига.	Температурата в работната среда е прекалено висока или прекалено ниска.	Използвайте зарядното устройство за акумулаторни батерии при температури между 5°C – 40°C.
Светодиодът за грешка свети.		Обърнете се към одобрен сервиз.

Косачка за трева

Индикаторът за предупреждение (светодиод за грешка) се намира под капака на акумулаторната батерия.

Проблем	Светодиод за грешка (брой премигвания)	Причина	Решение
Светодиодът за грешка мига. Продуктът не работи правилно.	5	Ножът е блокиран.	Завъртете ключа за безопасност на 0, за да предотвратите случайно стартиране. Отстранете акумулаторната батерия и изчакайте минимум 5 секунди. Отстранете потенциалните препятствия и се уверете, че ножът може да се върти свободно. Ако проблемът продължава, се обърнете към одобрен сервиз.
		Оборотите на двигателя спадат прекалено много и двигателят спира.	Увеличете височината на рязане. Направете справка с За задаване на височината на рязане на страница 31.
	10	Управлението на двигателя е прекалено горещо.	Спрете двигателя и изчакайте, докато се охлади.
Светодиодът за грешка мига. Продуктът спира.	0	Грешка в конектора на акумулаторната батерия.	Проверете конектора на акумулаторната батерия.
	3	Има претоварване в двигателя.	Увеличете височината на рязане. Направете справка с За задаване на височината на рязане на страница 31.
	8	Акумулаторната батерия е изтощена.	Заредете акумулаторната батерия. Направете справка с За зареждане на акумулатора на страница 31.
	9	Грешка в акумулаторната батерия или липса на сигнал от нея.	Поставете правилно акумулаторната батерия в продукта и проверете конектора на акумулаторната батерия. Ако светодиода за грешка на акумулаторната батерия мига. Направете справка с Статус на батерията на страница 31.
	12	Неправилна процедура за стартиране. Ръкохватката за спирачката на двигателя е била задействана преди стартирането на двигателя.	Освободете ръкохватката за спирачката на двигателя и изчакайте приблизително 5 секунди. Натиснете ръкохватката за спирачката на двигателя отново надолу, за да стартирате продукта.
Други грешки.	Ако възникнат други грешки, завъртете ключа за безопасност на 0, отстранете акумулаторната батерия и се обърнете към одобрен сервиз.		

Транспортиране, съхранение и изхвърляне

Въведение



ПРЕДУПРЕЖДЕНИЕ: За да предотвратите случайно стартиране по време на транспортиране и съхранение, завъртете ключа за безопасност на 0,

отстранете акумулаторната батерия и изчакайте минимум 5 секунди.

За задаване на продукта в положение при транспортиране

1. Натиснете с крак дръжката за регулиране на височината. (Фиг. 37)
2. Издърпайте нагоре ръкохватката и издърпайте дръжката за регулиране на височината от жлеба.
3. Сгънете ръкохватката напред, докато достигне крайно положение. (Фиг. 38)
4. Сгънете дръжката за регулиране на височината към капака на режещите части. (Фиг. 39)
5. Освободете фиксаторите на ръкохватката. (Фиг. 40)
6. Сгънете горната ръкохватка назад. (Фиг. 41)

Транспортиране

- В сила са изискванията на Законодателството за опасни продукти, отнасящи се до литиево-йонни акумулатори.
- За търговско транспортиране трябва да се спазват специалните изисквания върху опаковката и етикетите.
- Уверете се, че спазвате разпоредбите за опасни материали, когато подготвяте продукта за транспорт. Може да са в сила местни разпоредби.
- Винаги изваждайте акумулатора при транспортиране.
- Поставете тиксо върху конекторите на акумулатора и се уверете, че акумулаторът не може да се движи по време на транспортиране.
- Закрепете продукта по време на транспортиране.

Съхранение

- Оставете продукта да се охлади, преди да го приберете за съхранение.
- Винаги изваждайте акумулатора за съхранение.
- За да се избегнат инциденти, се уверете, че акумулаторът не е свързан към продукта по време на съхранение.
- Съхранявайте зарядното устройство в затворено и сухо помещение.
- Съхранявайте акумулатора и зарядното устройство на сухо място, където няма влага или скреж.

- При съхранение разкачете акумулатора от зарядното устройство.
- Не съхранявайте акумулатора, където може да се натрупа статично електричество. Не съхранявайте акумулаторната батерия в метална кутия.
- Съхранявайте продукта на място, на което околната температура е между -10°C и 40°C .
- Съхранявайте акумулаторната батерия на място, на което околната температура е между 5°C и 25°C , и далеч от слънчева светлина.
- Съхранявайте зарядното устройство на място, на което околната температура е между 5°C и 45°C , и далеч от слънчева светлина.
- Уверете се, че акумулаторът е зареден до 30% – 50% преди съхранение за продължителен период.
- Съхранявайте продукта, акумулатора и зарядното устройство в заключено помещение без достъп за деца или неупълномощени лица.
- Почистете продукта и се уверете, че кошът за трева е празен.
- Извършвайте процедурите по техническото обслужване, посочени в това ръководство за оператора. Вижте Разписание за техническо обслужване на страница 33.
- Извършете цялостно сервизно обслужване, преди оставите продукта за продължително съхранение.

Изхвърляне

Символите на продукта или на неговата опаковка показват, че този продукт не може да бъде третиран като битов отпадък. Той трябва да бъде подаден в съответната рециклираща станция за използване на електрическо и електронно оборудване.

Подавайки този продукт на правилното място, вие спомогате за предотвратяване на потенциалното негативно отражение върху околната среда и хората, което би могло да настъпи иначе в резултат на неправилно изхвърляне на този продукт. За повече подробна информация относно рециклирането на този продукт се свържете с местната администрация, услугите за битови отпадъци или магазина, откъдето сте закупили продукта.

(Фиг. 42)

Технически характеристики

	LB 144i
Двигател на режещия апарат	
Тип на двигателя	BLDC (безчетков) 36 V
Обороти на двигателя – SavE, об/мин	2600/min

	LB 144i
Обороти на двигателя – номинални, об/мин	3200/min
Обороти на двигателя – високо натоварване, об/мин	3500/min
Изходна мощност на двигателя – макс. kW	0,9
Изходна мощност на двигателя – номинална, kW	0,75
Задвижващ двигател	
Изходна мощност на двигателя – номинална, kW	Не е налично
Обороти за самостоятелно задвижване, km/h	Не е налично
Нива за регулиране на оборотите	Не е налично
Тегло	
Тегло (без акумулаторна батерия), kg	15,5
Тегло (вкл. 1 x BLi30), kg	17,5
Акумулаторна батерия	
Тип акумулаторна батерия	Серия акумулаторни батерии Husqvarna
Време на работа на акумулаторната батерия	
Време за работа на акумулаторната батерия, мин. (свободна работа) при активирана функция SaveE, с една акумулаторна батерия Husqvarna 7,5 Ah (BLi30).	170
Време за работа на акумулаторната батерия, мин. (свободна работа) при активиран стандартен режим, с една акумулаторна батерия Husqvarna 7,5 Ah (BLi30).	135
Шумови емисии ⁴	
Ниво на звуковата мощност, измерено, измерена dB (A)	90
Ниво на звуковата мощност, гарантирано L _{WA} dB (A)	92
Нива на шума ⁵	
Ниво на звуковото налягане при ухото на оператора, dB (A)	77
Нива на вибрациите ⁶	
Ръкохватка, m/s ²	0,7
Режещо оборудване	
Височина на рязане, mm	25-75
Ширина на рязане, cm	44

⁴ Емисии на шума в околната среда, измерени като звукова мощност (L_{WA}) в съответствие с директивана ЕО 2000/14/ЕО.

⁵ Отчетените данни за нивото на звуковото налягане имат фактор на несигурност (K) от 1,5 dB(A).

⁶ Отчетените данни за нивата на вибрациите имат фактор на несигурност (K) от 1,5 m/s². Обявената обща стойност на вибрациите е измерена в съответствие със стандарт EN 62841-4-3, приложение I, и може да се използва за сравняване на една машина с друга и при предварителна оценка на излагането.

	LB 144i
Стандартен нож	Мулчиране 5298073-10
Принадлежност за нож	Не е налично

Одобрени акумулаторни батерии	Тип	Капацитет на акумулаторната батерия, Ah	Напрежение, V	Тегло, lb/kg
40-B140	Литиевойонен	4,0	36	2,6/1,2
BLi30	Литиевойонен	7,5	36	4,2/1,9

Одобрени зарядни устройства за определени акумулаторни батерии, BLi	Входно напрежение, V	Честота, Hz	Мощност, W
40-C80	100 – 240	50 – 60	68,8
QC250	220 – 240	50	250

Декларация за съответствие

Декларация за съответствие на ЕС

Ние, Husqvarna AB, SE-561 82 Huskvarna, Швеция,
тел.: +46-36-146500, декларираме на своя собствена
отговорност, че продуктът:

Описание	Косачка за трева
Марка	Husqvarna
Тип/модел	LB 144i
Идентификация	Серийни номера от 2022 и нататък

отговаря напълно на следните директиви и
регламенти на ЕС:

Регламент	Описание
2006/42/ЕО	"относно машините"
2014/30/ЕС	"относно електромагнитната съвместимост"
2000/14/ЕО	"относно шумовете емисии в околната среда"
2011/65/ЕС	"по отношение на ограничението за използване на определени опасни вещества в електрическо и електронно оборудване"

и че следните стандарти и/или технически
характеристики са приложени: EN 62841-1:2015/
AC:2015, EN IEC 62841-4-3:2021/A11:2021, EN ISO
12100:2010, EN 55014-1:2021, EN 55014-2:2021, EN
IEC 61000-6-2:2019, EN IEC 61000-6-3:2021, EN IEC
63000:2018

Нотифициран орган: 0404, RISE SMP Svensk
Maskinprovning AB, Box 4053, SE-904 03 Umeå,
Sweden, сертифицира за съответствие с Директива
на съвета 2000/14/ЕО, процедура за оценка на
съответствието: приложение VI.

За информация относно шумови емисии направете
справка с Технически характеристики на страница
37.

Huskvarna, 2022-12-05



Claes Losdal, мениджър "Разработки и развитие/
градински продукти", Husqvarna AB

Отговорен за техническата документация



Obsah

Úvod.....	41	Odstraňování problémů	51
Bezpečnost.....	42	Přeprava, skladování a likvidace.....	52
Montáž	47	Technické údaje.....	53
Provoz.....	47	Prohlášení o shodě.....	55
Údržba.....	49		

Úvod

Popis výrobku

Výrobek je rotační sekačka na trávu s pěší obsluhou, která pomocí funkce BioClip umožňuje využít posečenou trávu jako hnojivo.

Popis výrobku

(Obr. 1)

1. Rukojeť/řídítka
2. Rukojeť brzdy motoru
3. Inhibitor spuštění
4. Zvedací rukojeť
5. Žací ústrojí
6. Páka pro nastavení výšky sečení
7. Bezpečnostní klíček
8. Víko baterie
9. Páka pro nastavení výšky řídítek
10. Tlačítko Save (Úspora energie)
11. Varovná kontrolka (chybová kontrolka LED)
12. Návod k používání
13. Nabíječka baterie (příslušenství)
14. Baterie (příslušenství)

Symboly na výrobku

(Obr. 2) **VAROVÁNÍ**

(Obr. 3) Přečtěte si pokyny.

(Obr. 4) **VAROVÁNÍ** – Dávejte pozor na odmrštěné předměty.

(Obr. 5) Udržujte dostatečnou vzdálenost od okolních osob.

(Obr. 6) **VAROVÁNÍ** – Ruce a nohy udržujte mimo dosah nožů.

(Obr. 7) **VAROVÁNÍ** – Před údržbou odpojte baterii.

(Obr. 8) Výrobek ani obal výrobku nelze zlikvidovat jako domácí odpad. Odevzdejte jej

Zamýšlené použití

Výrobek použijte k sečení trávy. K jiným činnostem výrobek nepoužívejte.

ve stanici pro recyklaci elektrických a elektronických zařízení.

(Obr. 9) Štítek s emisemi hluku do okolí podle směrnic a předpisů Evropské unie a Spojeného království a nařízení o regulaci hluku v australském Novém Jižním Walesu „Protection of the Environment Operations (Noise Control) Regulation 2017“. Garantovaná hladina akustického výkonu tohoto výrobku je uvedena v části Technické údaje na strani 53 a na štítku.

(Obr. 10) Tento nástavec vyhovuje platným směrnicím ES.

(Obr. 11) Tento výrobek vyhovuje platným předpisům Spojeného království.

(Obr. 12) Výrobek je chráněn proti kapající vodě.

(Obr. 13) Uvolněním rukojeti brzdy motoru zastavíte.

(Obr. 14) Skenovatelný kód.

Povšimněte si: Další symboly/štítky na výrobku se týkají certifikačních požadavků pro určité obchodní trhy.

Odpovědnost za výrobek

Jak uvádí zákon o odpovědnosti za výrobek, neneseme odpovědnost za žádnou škodu způsobenou naším výrobkem, pokud:

- byl výrobek nesprávně opraven.
- byl výrobek opraven pomocí součástí od jiného výrobce nebo součástí, které nejsou výrobcem schváleny.

- má výrobek příslušenství od jiného výrobce nebo příslušenství, které není výrobcem schváleno.
- výrobek nebyl opraven ve schváleném servisním středisku nebo schváleným odborníkem.

Bezpečnost

Definice týkající se bezpečnosti

Varování, upozornění a poznámky slouží jako upozornění na specifické důležité části návodu.



VÝSTRAHA: Používá se v případě nebezpečí úrazu nebo usmrcení obsluhy nebo okolních osob, pokud nejsou dodrženy pokyny uvedené v této příručce.



VAROVÁNÍ: Používá se v případě nebezpečí poškození výrobku, dalších materiálů či škod na majetku v blízkém okolí, pokud nejsou dodrženy pokyny uvedené v této příručce.

Povšimněte si: Používá se k poskytnutí dalších informací, které jsou nezbytné v dané situaci.

Obecná bezpečnostní upozornění k výrobku



VÝSTRAHA: Prohlédněte si všechny bezpečnostní pokyny, pokyny, ilustrace a technické údaje dodané s tímto výrobkem. Při nedodržení některého z pokynů uvedených níže může dojít k úrazu elektrickým proudem, požáru nebo vážnému poranění.

Uložte si veškerá upozornění a pokyny pro použití v budoucnu. Termín „výrobek“ v upozorněních označuje přístroj napájený ze sítě (kabelem) nebo napájený baterií (bezdrátový).

Bezpečnost pracovního prostoru

- Udržujte pracovní prostor čistý a dobře osvětlený. Přeplněné či tmavé prostory nahrávají nehodám.
- **Nepoužívejte produkt ve výbušném prostředí, například v přítomnosti hořlavých kapalin, plynů či prachu.** Výrobek vytváří jiskry, které mohou zapálit prach nebo výpary.
- Při práci s výrobkem musí být děti i okolostojící osoby v dostatečné vzdálenosti. Rozptýlení může způsobit, že ztratíte kontrolu nad nástrojem.

Bezpečnost při používání el. energie

- Zástrčky výrobku musí odpovídat použité elektrické zásuvce. Zástrčku nikdy žádným způsobem neupravujte. U uzemněných výrobků nepoužívejte žádné adaptéry. Původní zástrčky a odpovídající

zásuvky snižují nebezpečí úrazu elektrickým proudem.

- **Zabraňte tělesnému kontaktu s uzemněnými povrchy, např. trubkami, radiátory, sporáky a chladničkami.** Pokud je lidské tělo uzemněno, hrozí větší nebezpečí úrazu el. proudem.
- **Výrobek nevystavujte dešti ani vlhku.** Vniknutí vody do výrobku zvyšuje nebezpečí úrazu elektrickým proudem.
- **Nezacházejte hrubě s napájecím kabelem. Výrobek nikdy nenoste za kabel. Za kabel netahajte a výrobek neodpojujte od sítě taháním za kabel. Nevystavujte napájecí kabel působení tepla, oleje, nepoškozte ho ostrými hranami nebo pohyblivými částmi.** Poškozený nebo ohnutý kabel zvyšuje nebezpečí úrazu elektrickým proudem.
- **Při používání výrobku venku použijte prodlužovací kabel určený pro venkovní použití.** Použití kabelu určeného pro venkovní použití snižuje nebezpečí úrazu elektrickým proudem.
- **Pokud je nezbytné pracovat s výrobkem ve vlhkém prostředí, použijte zdroj s proudovým chráničem.** Použití proudového chrániče snižuje nebezpečí úrazu elektrickým proudem.

Osobní bezpečnost

- **Při práci s výrobkem dávejte pozor, sledujte, co děláte, a používejte zdravý rozum. Výrobek nepoužívejte, pokud jste unaveni nebo jste pod vlivem drog, alkoholu či léků.** Při práci s výrobkem stačí okamžik nepozornosti a následkem může být vážný úraz.
- **Používejte osobní ochranné pomůcky. Vždy používejte ochranu zraku.** Ochranné vybavení, např. protiprachová maska, neklouzavá ochranná obuv, přilba nebo ochrana sluchu, použité správným způsobem snižují nebezpečí úrazu.
- **Zabraňte náhodnému spuštění. Před připojením ke zdroji napájení nebo vložením baterií, zvednutím nebo přenášením výrobku se přesvědčte, že je vypínač v poloze vypnuto.** Přenášení výrobku s prstem na spínači nebo připojování výrobku se zapnutým spínačem ke zdroji napětí zvyšuje riziko nehody.
- **Před zapnutím výrobku odstraňte jakékoliv seřizovací nebo dotahovací klíče.** Klíč ponechaný na rotující části výrobku může způsobit úraz.
- **Nezatahujte se příliš daleko. Neustále pevně stůjte a držte rovnováhu.** Budete tak mít lepší kontrolu nad výrobkem v neočekávaných situacích.
- **Noste vhodný oděv. Nenoste volné oblečení ani šperky. Udržujte vlasy a oděv mimo dosah pohyblivých částí.** Pohyblivé části mohou zachytit volný oděv, šperky nebo dlouhé vlasy.

- Pokud jsou zařízení přizpůsobena pro připojení odsávačů a lapačů prachu, musí být připojena a **správně použita**. Použitím lapačů prachu snižujete rizika spojená s výskytém prachu.
- **Nedovolte**, aby rutina nabytá častým používáním výrobku způsobila, že začnete být **neopatrní** a budete ignorovat bezpečnostní zásady při zacházení s výrobkem. Neopatrný úkon může způsobit vážné zranění ve zlomku sekundy.
- **Výrobky používejte pouze s příslušnými speciálními bateriovými moduly**. Při použití jakékoli jiné baterie hrozí riziko úrazu a požáru.
- **Když baterii nepoužíváte, udržujte ji stranou od kovových předmětů**, např. kancelářských sponek, mincí, klíčů, hřebíků, šroubů nebo jiných malých kovových předmětů, které by mohly spojit kontakty baterie. Při zkratování kontaktů baterie může dojít k popáleninám nebo k požáru.

Použití výrobku a péče o výrobek

- **Výrobek nepřetěžujte**. Používejte výrobek, který je pro danou aplikaci určený. Takový výrobek vykoná práci lépe, bezpečněji a rychleji, pro kterou byl navržen.
- **Výrobek nepoužívejte, pokud nefunguje přepínač pro zapnutí a vypnutí**. Každý výrobek, který nelze ovládat přepínačem, je nebezpečný a musí být opraven.
- **Před jakýmkoli nastavováním, výměnou příslušenství nebo uložením elektrického nástroje odpojte zástrčku od napájení nebo z výrobku vytahněte baterie, pokud je to možné**. Taková preventivní bezpečnostní opatření snižují riziko náhodného spuštění výrobku.
- **Nepoužívaný výrobek ukládejte mimo dosah dětí a nedovolte**, aby s ním pracovaly osoby, které ho dobře neznají nebo si nepřečetly tento návod k použití. Výrobky jsou v rukou neproškolených uživatelů nebezpečné.
- **Provádějte údržbu výrobku a příslušenství**. Kontrolujte chybné zarovnaní nebo spojení pohyblivých částí, poškození jakýchkoliv částí nebo jiné stavy, které mohou ovlivnit provoz výrobku. Pokud je výrobek poškozen, nechte ho před použitím opravit. Mnohé nehody jsou způsobeny špatnou údržbou výrobků.
- **Udržujte řezací nástroje ostré a čisté**. Správně udržované řezací nástroje s ostrým ostřím jsou méně náchylné k „zakousnutí“ a snadněji se ovládají.
- **Používejte výrobek, příslušenství a další části podle těchto pokynů**. V úvahu je třeba brát pracovní podmínky a prováděnou práci. Použití výrobku k jinému účelu, než pro který je určen, může mít za následek vznik nebezpečné situace.
- **Rukojeti a uchopovací plochy udržujte suché, čisté a bez zbytků oleje a maziva**. Kluzké rukojeti a uchopovací plochy neumožňují bezpečné ovládání a v neočekávaných situacích může dojít ke ztrátě kontroly.

Použití nástrojů napájených z baterie a péče o ně

- **Baterii dobíjete pouze nabíječkou specifikovanou výrobcem**. Použití nabíječky vhodné pro jeden typ baterie může pro jiný typ baterie představovat nebezpečí vzniku požáru.

- **V nevhodných podmínkách může dojít k vytečení kapaliny z baterie**; vyvarujte se kontaktu s kapalinou. Pokud dojde k náhodnému kontaktu, opláchněte postižené místo vodou. Při zasažení očí kapalinou **vyhledejte lékařskou pomoc**. Kapalina vyteká z baterie může způsobit podráždění nebo popáleniny.
- **Nepoužívejte poškozenou nebo upravenou baterii nebo výrobek**. Poškozené nebo upravené baterie mohou vykazovat neočekávané chování vedoucí k požáru, výbuchu nebo nebezpečí poranění.
- **Nevystavuje baterii ani nástroj ohni a nadměrným teplotám**. Vystavení ohni a teplotám nad 130 °C / 265°F může způsobit explozi.
- **Dodržujte veškeré pokyny k nabíjení a nenabíjejte baterii ani nástroj mimo rozsah teplot uvedený v pokynech**. Nesprávné nabíjení nebo nabíjení při teplotách mimo uvedený rozsah může mít za následek poškození baterie a zvýšené nebezpečí požáru.

Servis

- **Servis výrobku smí provádět pouze kvalifikovaná osoba za použití identických náhradních součástek**. To zajistí udržení bezpečnosti výrobku.
- **Nikdy neprovádějte servis poškozených baterií**. Servis baterií smí provádět pouze výrobce nebo autorizovaný servis.

Bezpečnostní upozornění pro sekačku

- **Sekačku nepoužívejte při špatném počasí, zvláště pokud hrozí riziko blesku**. Snižte tak riziko zasažení bleskem.
- **Důkladně zkontrolujte, zda se v prostoru, kde chcete sekačku používat, nenachází žádná zvířata**. Během provozu sekačky může dojít ke zranění divoké zvěře.
- **Prostor, kde chcete sekačku používat důkladně zkontrolujte a odstraňte kameny, klacky, dráty, kosti a další předměty**. Odmrštěné předměty mohou způsobit zranění.
- **Před sekáním vždy vizuálně zkontrolujte, zda nejsou nůž, šroub nože a sestava nože opotřebené nebo poškozené**. Opotřebené nebo poškozené součásti zvyšují riziko poranění.
- **Často kontrolujte, zda není koš na trávu opotřebený nebo poškozený**. Opotřebený nebo poškozený koš na trávu může zvýšit riziko úrazu.
- **Ochranné kryty stroje musí být vždy připraveny. Ochranné kryty musí být v pořádku a správně připraveny**. Pokud je ochranný kryt uvolněný,

poškozený nebo nefunguje správně, může dojít ke zranění.

- **Všechny větrací otvory udržujte čisté.** Ucpané větrací otvory mohou způsobit přehřátí nebo požár.
- **Při manipulaci se sekačkou noste vždy ochrannou protiskluzovou obuv.** Sekačku neprovozujte naboso nebo v otevřených sandálech. Tím snížíte riziko poranění nohou při kontaktu s pohyblivým se sekacím nožem.
- **Při sečení vždy noste dlouhé kalhoty.** Odhalená pokožka zvyšuje riziko zranění odletujícími předměty.
- **Sekačkou nesekejte mokrou trávu.** Stroj používejte za chůze, nikdy za běhu. Snížíte tak riziko uklouznutí, pádu a možného úrazu.
- **Se sekačkou nevjíždějte na příliš strmé svahy.** Snížíte tak riziko ztráty kontroly, uklouznutí, pádu a možného úrazu.
- **Při práci na svazích dbejte na to, abyste stáli pevně, pohybovali se napříč svahem a nikdy ne do kopce nebo z kopce.** Dbejte zvýšené opatrnosti při změně směru. Snížíte tak riziko ztráty kontroly, uklouznutí, pádu a možného úrazu.
- **Při couvání nebo přitahování sekačky k sobě buďte zvláště opatrní.** Vždy dávejte pozor na své okolí. Tím snížíte riziko zakopnutí.
- **Nedotýkejte se nožů ani jiných pohyblivých nebezpečných součástí, dokud se nezastaví.** Tím snížíte riziko poranění pohyblivými součástmi.
- **Před odstraněním uvízlého materiálu nebo čištěním sekačky se ujistěte, že je vše vypnuto a napájecí kabel je odpojen.** Nečekané spuštění sekačky může způsobit vážné zranění.

Proudový chránič

- Používejte zásuvku chráněnou proudovým chráničem s vypínacím proudem nepřesahujícím 30 mA.

Obecné bezpečnostní pokyny



VÝSTRAHA: Před použitím výrobku si přečtěte následující varování.

- Tento výrobek je nebezpečný, nepoužívali-li se správně nebo není-li věnována provozu řádná pozornost. Nedodržení bezpečnostních pokynů může vést ke zranění nebo usmrcení.
- Tento výrobek vytváří během provozu elektromagnetické pole. Toto pole může za určitých okolností narušovat funkci aktivních či pasivních implantovaných lékařských přístrojů. Za účelem snížení rizika možného zranění nebo smrtelného úrazu doporučujeme osobám s implantovanými lékařskými přístroji poradit se před použitím výrobku s lékařem a s výrobcem implantovaného lékařského přístroje.

- Buďte stále opatrní a používejte zdravý rozum. Nejsíte-li si jisti, jak ovládat výrobek ve zvláštních situacích, vypněte jej a promluvte si s prodejcem Husqvarna, než budete pokračovat v práci.
- Mějte na paměti, že obsluha je odpovědná za nehody a škody vzniklé jiným osobám nebo na jejich majetku.
- Udržujte výrobek čistý. Ujistěte se, že jsou značky a štítky dobře čitelné.
- Nikdy nedovolte dětem nebo osobám, které se neseznámily s těmito pokyny, aby zařízení používaly. Věk obsluhy může být omezen místními předpisy.
- Vždy sledujte osoby s fyzickým nebo mentálním postižením při práci s výrobkem. Vždy musí být přítomna zodpovědná dospělá osoba.
- Nepoužívejte výrobek, jste-li unavení, nemocní nebo pod vlivem alkoholu, drog nebo léků. To by mohlo ovlivnit váš zrak, ostrážitost, koordinaci a úsudek.
- Nepoužívejte výrobek, pokud je vadný.
- Nikdy neupravujte výrobek a nepoužívejte jej, pokud je možné, že jej upravil někdo jiný.

Bezpečnost práce



VÝSTRAHA: Před použitím výrobku si přečtěte následující varování.

- Tento výrobek používejte výhradně k sečení trávy. Není dovoleno používat výrobek k jiným činnostem.
- Používejte osobní ochranné pomůcky. Další informace jsou uvedeny v části Osobní ochranné prostředky na straně 45.
- Ujistěte se, že víte, jak v případě nouze rychle zastavit motor.
- Neprovozujte výrobek v dešti a vlhku. Nebezpečí úrazu elektrickým proudem se zvyšuje, přijde-li výrobek do styku s vodou.
- Neprovozujte výrobek, pokud není správně namontovaný nůž a všechny kryty. V opačném případě by se mohl nůž uvolnit a způsobit zranění osob.
- Zajistěte, aby nůž nenarazil do předmětů, jako jsou kameny a kořeny. Mohlo by dojít k poškození nože a ohnutí hřídele motoru. Ohnutý hřídel způsobuje velké vibrace a hrozí velmi vysoké riziko uvolnění nože.
- Pokud nůž narazí do nějakého předmětu nebo se objeví vibrace, okamžitě zastavte výrobek. Zastavte motor, otočte bezpečnostní klíček do polohy 0 a vyjměte baterii. Vyčkejte na zastavení pohyblivých součástí. Zkontrolujte, zda není výrobek poškozený. Povolené díly dotáhněte. Opravte závady a vyměňte poškozené díly. Opravy by měl provést schválený servis.
- Po nastartování motoru nikdy nepřipevňujte rukojeť brzd motoru trvale k rukojeti sekačky.

- Umístěte výrobek na stabilní, rovný povrch a nastartujte jej. Zkontrolujte, zda někdo nemůže přijít do kontaktu se zemí nebo cizími objekty.
- Při provozu vždy stůjte za výrobkem.
- Při provozu nechte všechna kola spočívat na zemi a držte rukojeť oběma rukama. Ruce a nohy udržujte mimo dosah rotujících břitů.
- Výrobek nenaklánejte při spouštění motoru nebo během provozu.
- Buďte opatrní při tažení výrobku dozadu.
- Nikdy výrobek nezvedejte, když je spuštěný motor. Pokud musíte výrobek zvednout, nejprve vypněte motor, otočte bezpečnostní klíček do polohy 0 a vyjměte baterii.
- Při provozování výrobku nechoďte směrem dozadu.
- Vypněte motor, pokud je nutné výrobek naklonit kvůli přepravě nebo před přejezdem ploch bez trávy, jako jsou cesty ze šterku, kamenů nebo asfaltu.
- Neběhejte s výrobkem, když je spuštěný motor. Při provozu výrobku vždy pouze chodte.
- Před změnou výšky sečení vypněte motor. Nikdy neupravujte nastavení při spuštěném motoru.
- Nikdy nenechte výrobek se spuštěným motorem bez dozoru. Vypněte motor a ujistěte se, že se žací ústrojí neotáčí.
- Vibrace spuštěného výrobku se mohou lišit od hodnoty uvedené v části Technické údaje na straně 53. Rozdíly způsobují různá použití výrobku. Pokud výrobek provozujete často nebo po delší časové intervaly, dělejte pravidelné přestávky, abyste předešli zraněním způsobeným vibracemi.

Bezpečnostní pokyny pro provoz

Osobní ochranné prostředky



VÝSTRAHA: Před použitím výrobku si přečtěte následující varování.

- Osobní ochranné prostředky nemohou zcela eliminovat nebezpečí úrazu, ale v případě nehody pomáhají snížit míru poranění. Požádejte prodejce, aby vám pomohl vybrat správné vybavení.
- Používejte odolnou obuv s protiskluzovou podrážkou. Nepoužívejte otevřenou obuv ani nepracujte naboso.
- Používejte silné, dlouhé kalhoty.
- Při určitých činnostech používejte ochranné rukavice, například při nasazování, prohlídce nebo čištění žacího ústrojí.
- Doporučujeme používat ochranu sluchu.

Bezpečnostní zařízení na produktu



VÝSTRAHA: Před použitím výrobku si přečtěte následující varování.

- Nepoužívejte výrobek, jehož bezpečnostní zařízení jsou vadná!
- Neodstraňujte ani neupravujte bezpečnostní zařízení.
- Pravidelně kontrolujte bezpečnostní zařízení. Pokud je zařízení vadné, obraťte se na servis Husqvarna.

Kontrola krytu žacího ústrojí

Kryt žacího ústrojí snižuje vibrace výrobku a snižuje nebezpečí poranění nožem.

- Zkontrolujte kryt žacího ústrojí, aby bylo zajištěno, že nevykazuje známky poškození, např. praskliny.

Kontrola bezpečnostního klíčku

Bezpečnostní klíček se nachází pod víkem baterie. Bezpečnostní klíček připojuje baterii, která slouží jako napájecí zdroj motoru.

- Kontrolu funkce bezpečnostního klíčku provedete spuštěním a vypnutím motoru.
- V případě správné funkce bezpečnostního klíčku se motor spustí, pouze když je klíček otočený do polohy 1. (Obr. 15)

Kontrola rukojeti brzdy motoru

Rukojeť brzdy motoru slouží k zastavení motoru. Když uvolníte rukojeť brzdy motoru, motor se zastaví.

- Nastartujte výrobek. Další informace jsou uvedeny v části Spuštění výrobku na straně 48.
- Uvolněte rukojeť brzdy motoru. (Obr. 16)
- Ujistěte se, že se výrobek zastavil. Pokud se motor nevyklopí během 3 sekund, požádejte schváleného servisního pracovníka Husqvarna o seřízení brzdy motoru.

Kontrola inhibitoru spuštění

Proveďte kontrolu inhibitoru spuštění a ujistěte se, že brání provozu motoru.

1. Zatlačte rukojeť brzdy motoru směrem k řídítkům. Inhibitor spuštění přeruší pohyb.
2. Zatlačte inhibitor spuštění směrem ven. (Obr. 17)
3. Uvolněte inhibitor spuštění a ujistěte se, že se vrátí do své výchozí polohy.

Bezpečnostní pokyny týkající se akumulátorů



VÝSTRAHA: Před použitím výrobku si přečtěte následující varování.

- Dobíjecí baterie Husqvarna používejte jako zdroj napájení pouze pro související produkty Husqvarna. Abyste zabránili zranění, nepoužívejte baterii jako zdroj napájení pro jiná zařízení.
- Nepoužívejte baterie, které nejsou určené k dobíjení.
- Nebezpečí úrazu elektrickým proudem. Vývody baterie nepřipojujte ke klíčkům, mincím, šroubkům

nebo jiným kovům. Může to způsobit zkrat akumulátoru.

- Nevkládejte do větracích otvorů baterie žádné předměty.
- Chraňte baterii před sluncem, teplem nebo otevřeným ohněm. Baterie může explodovat a způsobit popáleniny a/nebo chemické popáleniny.
- Chraňte baterii před deštěm a vlhkým prostředím.
- Chraňte baterii před mikrovláknami a vysokým tlakem.
- Baterii nikdy nerozebírejte nebo nerozbíjejte.
- Pokud baterie netěsní, kapalina nesmí přijít do styku s kůží a očima. Po styku s kapalinou omyjte zasaženou oblast velkým množstvím vody a získejte lékařskou pomoc.
- Baterii ve výrobku používejte pouze při okolních teplotách v rozsahu 5 až 40 °C.
- Nabíječku baterií používejte pouze při okolních teplotách v rozsahu 5 a 40 °C.
- Baterie se nebude nabíjet, pokud je její teplota vyšší než 50 °C.
- Baterii ani nabíječku baterií nečistěte vodou. Další informace jsou uvedeny v části Čištění baterie nebo nabíječky baterií na strani 50.
- Nepoužívejte vadnou nebo poškozenou baterii.
- Baterie uchovávejte mimo dosah kovových předmětů, jako jsou např. hřebíky, mince nebo šperky.

Bezpečnostní pokyny pro nabíječku baterií



VÝSTRAHA: Před použitím výrobku si přečtěte následující varování.

- Nabíječku baterií QC používejte pouze pro nabíjení náhradních baterií Husqvarna.
- Hrozí nebezpečí zkratu a úrazu elektrickým proudem. Nevkládejte do větracích otvorů nabíječky žádné předměty. Nabíječku baterií nerozebírejte. Nepřipojujte nabíjecí vývody ke kovovým předmětům. Používejte schválenou elektrickou zásuvku.
- Tento výrobek vytváří během provozu elektromagnetické pole. Toto pole může za určitých okolností narušovat funkci aktivních či pasivních implantovaných lékařských přístrojů. Za účelem snížení rizika možného zranění nebo smrtelného úrazu doporučujeme osobám s implantovanými lékařskými přístroji poradit se před použitím výrobku s lékařem a s výrobcem implantovaného lékařského přístroje.
- Pravidelně kontrolujte, zda není napájecí kabel poškozený a nejsou na něm praskliny.
- Nabíječku nezvedejte pomocí napájecího kabelu. Když nabíječku baterií odpojujete z elektrické zásuvky, tahejte za zástrčku. Netahejte za napájecí kabel.
- Uchovávejte napájecí kabel a prodlužovací šňůry mimo dosah vody, oleje a ostrých okrajů. Dejte

pozor, aby nebyl kabel přivřen ve dveřích, nezachytit se za plot a podobně. Mohlo by dojít k probíjení nabíječky.

- Nabíječku baterií nečistěte vodou.
- Nabíječku baterií smí používat děti od 8 let a osoby se sníženými fyzickými, smyslovými nebo duševními schopnostmi nebo nedostatečnými zkušenostmi či znalostmi pod dozorem odpovědné osoby, nebo pokud jim takováto osoba poskytne pokyny, které zajistí, že budou nabíječku používat bezpečným způsobem. Děti si s nabíječkou nesmí hrát. Čištění a údržbu nesmí provádět děti bez dozoru.
- V nabíječce nenabíjejte baterie, které nejsou určeny k opětovnému dobíjení.
- Nabíječku nepoužívejte v blízkosti hořlavých nebo korozivních materiálů. Nabíječku baterií nezakrývejte. V případě, že zaznamenáte kouř nebo požár, vytáhněte zástrčku kabelu nabíječky baterií ze zásuvky.
- Nepoužívejte vadnou nebo poškozenou nabíječku.
- Baterii nabíjejte pouze uvnitř, a to v dobře odvětrané místnosti a mimo dosah slunečních paprsků. Nenabíjejte baterii ve vlhkém prostředí.

Bezpečnostní pokyny pro údržbu



VÝSTRAHA: Před použitím výrobku si přečtěte následující varování.

- Neúmyslnému spuštění během údržby můžete zabránit tím, že otočíte bezpečnostní klíček do polohy 0 a vyjmete baterii. Před započítím údržby vyčkejte minimálně 5 sekund.
- Provádějte pouze údržbu uvedenou v tomto návodu k používání. Rozsáhlejší zásahy a profesionální opravy musí provést schválený servisní pracovník. Pro další informace se obraťte na nejbližšího servisního pracovníka.
- Správným provedením údržby zvýšíte životnost výrobku a snížíte nebezpečí nehod.
- Poškozené, opotřebené či prasklé součásti vyměňte. Vždy používejte originální náhradní díly od výrobce. Jiné náhradní díly mohou výrobek poškodit a zvýšit riziko nehod.
- Abyste zabránili zranění, neodstraňujte ani neupravujte bezpečnostní zařízení.
- Při manipulaci s žacími ústrojími používejte silné rukavice. Nůž je velmi ostrý a může snadno dojít k pořezání.
- Pro dosažení nejlepšího výsledku a bezpečnosti zajistěte, aby byla ostří nože čistá a ostrá.
- Zajistěte pravidelné kontroly a provádění potřebného seřízení a oprav výrobku u servisního pracovníka.
- Dodržujte pokyny pro výměnu příslušenství. Používejte výhradně příslušenství od výrobce.
- Pokud není výrobek, baterie a nabíječka baterií právě v provozu, uchovávejte je samostatně v suchém, vnitřním a uzamčeném prostoru.

Zajistěte, aby k výrobku, baterii či nabíječe baterii neměly přístup děti ani nepovolané osoby.

Montáž

Úvod



VÝSTRAHA: Před montáží produktu si přečtěte kapitolu bezpečnosti.



VÝSTRAHA: Neúmyslnému spuštění během montáže můžete zabránit tím, že otočíte bezpečnostní klíček do polohy 0, vyjmete baterii a počkáte alespoň 5 sekund.

Montáž řídítek

1. Složte horní část řídítek dopředu.

2. Utáhněte knoflíky řídítek. (Obr. 18)
3. Zatáhněte řídítka směrem dozadu do koncové polohy.
4. Sklopte páku pro nastavení výšky a vložte ji do drážky. (Obr. 19)
5. Nohou zatlačte páku pro nastavení výšky. (Obr. 20)

Nastavení výšky řídítek

1. Nohou sešlápněte páku pro nastavení výšky.
2. Umístěte řídítka do správné polohy a uvolněte řídítka. (Obr. 21)

Provoz

Úvod



VÝSTRAHA: Před používáním produktu je třeba, abyste si přečetli a porozuměli kapitole o bezpečnosti.



VÝSTRAHA: Nepoužívejte výrobek, pokud nejsou řídítka zcela vyklopena a nastavena do jedné z příslušných provozních poloh nastavení výšky. Viz část Nastavení výšky řídítek na straně 47.

Husqvarna Connect

Husqvarna Connect je bezplatná aplikace pro mobilní zařízení. Aplikace Husqvarna Connect dodá vašemu výrobku Husqvarna doplňkové funkce:

- Rozšířené informace o výrobku.
- Informace o dílech a servisu a nápověda pro tyto položky.

Jak začít používat aplikaci Husqvarna Connect

1. Stáhněte si aplikaci Husqvarna Connect do svého mobilního zařízení.
2. V aplikaci Husqvarna Connect se zaregistrujte.
3. Při připojování a registraci výrobku postupujte podle pokynů v aplikaci Husqvarna Connect.

Nastavení výrobku do provozní polohy

1. Sestavte řídítka. Viz část Montáž řídítek na straně 47.
2. Nastavte výšku řídítek. Viz část Nastavení výšky řídítek na straně 47.



VAROVÁNÍ: Zkontrolujte, zda kabely nejsou příliš napnuté. Pokud je kabel příliš napnutý, může při složení řídítek do přepravní polohy dojít k jeho poškození.



VAROVÁNÍ: Nenastavujte výšku sečení příliš nízko. V případě, že není povrch trávníku rovný, mohou nože přijít do styku se zemí.

Baterie



VÝSTRAHA: Před použitím baterie je třeba, abyste si přečetli a porozuměli kapitole o bezpečnosti. Rovněž je nezbytné, abyste si přečetli a pochopili návod k používání baterie a nabíječky baterií.

Baterii i nabíječku skladujte za správné okolní teploty.

	Okolní teplota
Provoz baterie	5 až 40 °C

	Okolní teplota
Nabíjení baterie	5 až 40 °C

Stav baterie

Displej ukazuje zbývající kapacitu baterie a zda došlo k problémům s baterií. Kapacita baterie se zobrazuje 5 sekund po vypnutí produktu nebo stisku tlačítka s kontrolkou. Pokud dojde k chybě, rozsvítí se na baterii výstražný symbol. Viz Baterie na straně 51.

(Obr. 23)

Kontrolky LED	Stav baterie
Všechny kontrolky LED svítí	Plně nabití (75–100 %).
Svítí kontrolky LED 1, LED 2, LED 3.	Nabití baterie je 50–75 %.
Svítí kontrolky LED 1, LED 2.	Nabití baterie je 25–50 %.
Svítí kontrolka LED 1.	Baterie je nabitá na 0–20 %.
Bliká kontrolka LED 1.	Baterie je vybitá. Nabijte baterii.

Nabití baterie

Před prvním použitím baterii nabijte. Baterie je při dodání zákazníkovi nabitá pouze na 30 %.

Povšimněte si: Nabíječka baterií musí být připojena ke zdroji o napětí a frekvenci uvedené na typovém štítku.

Pokud teplota baterie přesahuje 50 °C, baterie se nenabíjí. Před zahájením nabíjení zajistí nabíječka baterií snížení teploty baterie.

1. Připojte jeden konec napájecího kabelu nabíječky baterií do zásuvky na nabíječce baterií.
2. Připojte druhý konec napájecího kabelu nabíječky baterií do uzemněné elektrické zásuvky. Kontrolka LED na nabíječce baterií jednou zeleně blikne. (Obr. 24)
3. Vložte baterii do nabíječky baterií. Když je baterie správně připojena k nabíječce baterií, rozsvítí se na nabíječce zelené světlo. (Obr. 25)
4. Když svítí všechny kontrolky LED baterie, baterie je plně nabitá. Baterii nabíjete maximálně po dobu 24 hodin.
5. Když nabíječku baterií odpojujete z elektrické zásuvky, tahejte za zástrčku, nikoliv za kabel.
6. Vyjměte baterii z nabíječky.

Stav nabíjení baterie

Husqvarna Lithium-iontové baterie lze nabíjet bez ohledu na jejich úroveň nabití. Baterie není poškozená. Plně nabitá baterie nebude ztrácet nabití ani v případě, kdy je ponechána v nabíječce.

LED displej	Stav nabíjení
Bliká kontrolka LED 1.	0–25 %
Svítí kontrolka LED 1, bliká kontrolka LED 2.	25–50 %
Svítí kontrolky LED 1, LED 2, bliká kontrolka LED 3.	50–75 %
Svítí kontrolky LED 1, LED 2, LED 3, bliká kontrolka LED 4.	75–100 %
Svítí kontrolky LED 1, LED 2, LED 3, LED 4.	Plně nabitá

Spuštění výrobku

1. Otevřete víko baterie.
2. Vložte nabitou baterii do držáku baterie.
3. Otočte bezpečnostní klíček do polohy 1. (Obr. 26)
4. Postavte se za výrobek.
5. Povolte inhibitor spouštění. (Obr. 17)
6. Zatlačte rukojeť brzdy motoru směrem k řídkům. (Obr. 27)

Použití funkce SaveE™

Výrobek má funkci úspory energie v bateriích (SaveE™), která prodlužuje dobu provozu.

- Funkci zapnete stisknutím tlačítka SaveE™ do pozice 1. (Obr. 28)
- Stisknutím tlačítka SaveE™ do pozice 0 funkci vypnete.

Povšimněte si: Funkce SaveE™ se vypne automaticky, pokud terénní podmínky vyžadují vyšší výkon. Jakmile to terénní podmínky dovolí, funkce SaveE™ se automaticky znovu zapne.

Funkce vysokého zatížení

Když výrobek seká dlouhou či mokrou travu, motor automaticky zvýší své otáčky. Když není režim vysokého zatížení potřeba, motor se vrátí do standardního režimu.

Zastavení motoru

Během provozu se může nůž a motor dočasně zastavit z důvodu překážek, jako je například nahromadění trávy pod krytem žacího ústrojí. Pokud v takovém případě ponecháte rukojeť brzdy motoru stisknutou, výrobek se

automaticky znovu nastartuje. Pokud se výrobek do 5 až 10 sekund znovu nenastartuje, bude zřejmě nutné vyčistit žací ústrojí. Viz část Čištění výrobku na strani 50.



VÝSTRAHA: Pokud se motor zastaví, výrobek se pokusí automaticky znovu nastartovat po dobu 5 až 10 sekund. Před kontrolou krytu žacího ústrojí počkejte minimálně 15 sekund.



VÝSTRAHA: Před kontrolou stavu žacího ústrojí uvolněte rukojeť brzdy motoru, otočte bezpečnostní klíček do polohy 0, vyjměte baterii a počkejte minimálně 5 sekund. Pokud byste pouze odstranili překážku provozu, hrozí riziko poranění náhodným spuštěním výrobku.

Zastavení výrobku



VÝSTRAHA: Než ponecháte výrobek bez dozoru, otočte bezpečnostní klíček do polohy 0.

1. Zastavte motor uvolněním rukojeti brzdy motoru. (Obr. 29)
2. Otevřete víko baterie a otočte bezpečnostní klíček do polohy 0. (Obr. 30)
3. Chcete-li baterii vyjmout, stiskněte dvě tlačítka pro uvolnění baterie a baterii vytáhněte. (Obr. 31)
4. Pokud je baterie slabá, nabijte ji. Více informací je uvedeno v části Nabíjení baterie na strani 48.

Jak docílit dobrých výsledků

- Používejte vždy ostrý nůž. Při použití tupého nože je stříh nepravidelný a posečený povrch trávy žlutne. Ostrý nůž také vyžaduje méně energie než tupý nůž.
- Nesekejte více než $\frac{1}{3}$ výšky trávy. Nejprve sekejte se žacím ústrojím nastaveným vysoko. Zkontrolujte výsledek a případně snižte výšku sečení na požadovanou úroveň. Pokud je tráva velmi vysoká, jezděte pomalu a v případě potřeby sekejte 2krát.
- Sekejte vždy v jiném směru, aby na trávníku nevznikly pruhy.
- Udržujte kryt žacího ústrojí čistý. Nahromaděná tráva a nečistoty na vnitřní straně krytu žacího ústrojí mohou snížit výsledek sečení. Další informace jsou uvedeny v části Čištění výrobku na strani 50.

Údržba

Úvod



VÝSTRAHA: Před prováděním údržby je třeba, abyste si přečetli kapitolu o bezpečnosti a porozuměli jí.

Pro servis a opravy výrobku je nezbytné speciální školení. Garantujeme dostupnost profesionálních oprav a servisu. Pokud prodejce neposkytuje servisní služby, požádejte jej o informace o nejbližším servisu.

Podrobnější informace jsou uvedeny v části www.husqvarna.com.

Plán údržby

Intervaly údržby se vypočítávají na základě každodenního používání výrobku. Intervaly se mění, není-li výrobek používán denně.

U údržby označené symbolem * vyhledejte pokyny v části Bezpečnost na strani 42.

	Každé použití	Měsíčně	Každou sezónu
Proveďte běžnou kontrolu.	X		
Vyčistěte výrobek.	X		
Očistěte oblast kolem páky pro nastavení výšky řídítek.	X		
Zkontrolujte inhibitor spuštění. *	X		
Zkontrolujte, zda nejsou vadná bezpečnostní zařízení výrobku. *	X		
Zkontrolujte žací ústrojí.	X		
Zkontrolujte kryt žacího ústrojí. *	X		
Zkontrolujte rukojeť brzdy motoru. *	X		
Zkontrolujte, zda není baterie poškozena.	X		
Zkontrolujte úroveň nabití baterie.	X		

	Každé použití	Měsíčně	Každou sezónu
Zkontrolujte, zda na baterii fungují tlačítka pro uvolnění baterie a zda baterie drží ve výrobku.	X		
Zkontrolujte, zda není nabíječka baterií poškozena a ujistěte se, že funguje správně.		X	
Zkontrolujte připojení mezi baterií a výrobkem. Rovněž zkontrolujte připojení mezi baterií a nabíječkou baterií.			X

Provedení běžné kontroly

- Zajistěte, aby byly matice a šrouby na výrobku správně dotažené.
- Zkontrolujte, že kabely výrobku nejsou na místě, kde by mohlo dojít k jejich poškození.

Čištění výrobku

- Plastové části čistěte čistou a suchou utěrkou.
- Nečistěte výrobek vodou. Voda může proniknout do baterie nebo motoru a způsobit zkrat nebo poškození výrobku.
- K čištění výrobku nepoužívejte vodu pod vysokým tlakem.
- Motor nesmí být přímo oplachován vodou.
- Pomocí kartáče odstraňte listí, trávu a nečistoty.

Čištění baterie nebo nabíječky baterií



VÝSTRAHA: Baterii ani nabíječku baterií nečistěte vodou.



VÝSTRAHA: K čištění baterie nepoužívejte žádné chemické látky.

- Než vložíte baterii do nabíječky, zkontrolujte, zda jsou baterie a nabíječka baterie čisté a suché.
- Očistěte kontakty baterie stlačeným vzduchem nebo použijte měkkou a suchou utěrku.
- Očistěte povrch baterie a nabíječku baterie měkkou a suchou utěrkou.

Čištění oblasti kolem páky pro nastavení výšky řídítek

- Pomocí kartáče odstraňte listí, trávu a nečistoty. (Obr. 32)

Kontrola žacího ústrojí



VÝSTRAHA: Neúmyslnému spuštění můžete zabránit tak, že otočíte bezpečnostní klíček do polohy 0, vyjmete baterii a počkáte alespoň 5 sekund.



VÝSTRAHA: Při provádění údržby žacího ústrojí používejte ochranné rukavice. Nůž je velmi ostrý a může snadno dojít k pozezání.

1. Zkontrolujte žací ústrojí ohledně poškození a prasklin. Poškozené žací ústrojí vždy vyměňte.
2. Prohlédněte nůž a zkontrolujte, zda není poškozený nebo tupý.

Povšimněte si: Po ostření je nezbytné nůž vyvážit. Výměnu, ostření a vyvážení nože svěřte servisnímu středisku. Dojde-li k nárazu do překážky, po kterém dochází k vypínání výrobku, vyměňte poškozený nůž. O tom, zda je možné nůž nabrousit či zda je nutné ho vyměnit, rozhodne servisní středisko.

Postup výměny nože

Viz část Technické údaje na strani 53 , kde naleznete informace o správném typu nože.



VÝSTRAHA: Nůž zajistěte dřevěným špalíkem, abyste při výměně zabránili zranění prstů. Při vypnutém motoru lze nožem pohybovat a hrozí nebezpečí zachycení prstů mezi nožem a nepohyblivými součástmi.

1. Zajistěte nůž pomocí dřevěného špalíku. (Obr. 33)
2. Odmontujte šroub nože, pružnou podložku a nůž. (Obr. 34)
3. Prohlédněte držák nože a šroub nože a zkontrolujte, zda nejsou poškozené.
4. Prohlédněte hřídel motoru a ujistěte se, že není ohnutý.
5. Při montáži nového nože nasměrujte zahnuté konce nože ve směru krytu žacího ústrojí. (Obr. 35)
6. Zkontrolujte, zda je nůž zarovnaný se středem hřídele motoru.
7. Zajistěte nůž pomocí dřevěného špalíku. Nasaďte pružnou podložku a utáhněte šroub a podložku utahovacím momentem 23–28 Nm. (Obr. 36) (Obr. 34)

8. Otočte nožem rukou a zkontrolujte, zda se volně otáčí.



VÝSTRAHA: Používejte odolné rukavice. Nůž je velmi ostrý a může snadno dojít k pořezání.

9. Nastartujte výrobek a proveďte test nože. Pokud není nůž správně připevněn, výrobek vibruje a výsledky sečení nejsou uspokojivé.

Odstraňování problémů

Baterie

Kontrolka LED na baterii	Příčina	Řešení
Zelená kontrolka LED bliká.	Napětí baterie je nízké.	Nabijte baterii. Další informace jsou uvedeny v části Nabití baterie na strani 48.
Chybová kontrolka LED bliká.	Baterie je slabá.	Nabijte baterii. Další informace jsou uvedeny v části Nabití baterie na strani 48.
	Teplota v pracovním prostředí je příliš vysoká nebo nízká.	Baterii použijte při teplotě 5 až 40 °C.
	Přepětí.	Zkontrolujte, zda napětí elektrické sítě odpovídá napětí uvedenému na typovém štítku výrobku. Vyměňte baterii z nabíječky. Počkejte 5 sekund a zkuste baterii znovu nabít. Pokud potíže přetrvávají, obraťte se na schváleného servisního pracovníka.
Chybová kontrolka LED svítí.	Příliš velký rozdíl napětí článku (1 V).	Obraťte se na schváleného servisního pracovníka.

Nabíječka baterií

Kontrolka LED na nabíječce baterií	Příčina	Řešení
Chybová kontrolka LED bliká.	Teplota v pracovním prostředí je příliš vysoká nebo nízká.	Nabíječku baterií použijte při teplotě 5 až 40 °C.
Chybová kontrolka LED svítí.		Obraťte se na schváleného servisního pracovníka.

Sekačka na trávu

Výstražná kontrolka (chybová kontrolka LED) se nachází pod krytem baterie.

Problém	Chybová kontrolka LED (počet bliknutí)	Příčina	Řešení
Bliká chybová kontrolka LED. Výrobek nepracuje správně.	5	Nůž je zablokovaný.	Otočte bezpečnostní klíček do polohy 0, aby nedošlo k náhodnému spuštění. Vyjměte baterii a počkejte alespoň 5 sekund. Odstraňte případné překážky a zkontrolujte, zda se nůž může volně otáčet. Pokud potíže přetrvávají, obraťte se na schváleného servisního pracovníka.
		Otáčky motoru klesnou příliš nízkou a motor se zastaví.	Zvyšte výšku sečení. Viz část Nastavení výšky sečení na strani 47.
	10	Došlo k přehřátí ovládání motoru.	Zastavte motor a počkejte, než vychladne.
Bliká chybová kontrolka LED. Výrobek se vypíná.	0	Selhání konektoru baterie.	Zkontrolujte konektor baterie.
	3	Motor je přetížený.	Zvyšte výšku sečení. Viz část Nastavení výšky sečení na strani 47.
	8	Baterie je slabá.	Nabijte baterii. Viz část Nabití baterie na strani 48.
	9	Chyba baterie nebo žádný signál z baterie.	Vložte správně baterii do výrobku a zkontrolujte konektor baterie. Pokud chybová kontrolka LED na baterii bliká. Viz část Stav baterie na strani 48.
	12	Nesprávné spuštění. Rukojeť brzdy motoru byla aktivována před spuštěním motoru.	Uvolněte rukojeť brzdy motoru a počkejte přibližně 5 sekund. Opětovným zatlačením rukojeti brzdy motoru dolů výrobek spustíte.
Jiné chyby.	Pokud se objeví jiná chyba, otočte bezpečnostní klíček do polohy 0, vyjměte baterii a obraťte se na schváleného servisního pracovníka.		

Přeprava, skladování a likvidace

Úvod



VÝSTRAHA: Neúmyslnému spuštění během přepravy a skladování můžete zabránit tím, že otočíte bezpečnostní klíček do polohy 0, vyjměte baterii a počkáte alespoň 5 sekund.

Nastavení produktu do přepravní polohy

1. Nohou sešlápněte páku pro nastavení výšky. (Obr. 37)
2. Zvedněte říditka a vytáhněte páku pro nastavení výšky z drážky.

3. Sklopte říditka dopředu do koncové polohy. (Obr. 38)
4. Sklopte páku pro nastavení výšky směrem ke krytu žacího ústrojí. (Obr. 39)
5. Povolte knoflíky říditek. (Obr. 40)
6. Složte horní část říditek dozadu. (Obr. 41)

Přeprava

- Na dodané Li-ion baterie se vztahují požadavky legislativy o nebezpečném zboží.
- Při komerční přepravě musí být dodrženy speciální požadavky na balení a označení.
- Při přípravě výrobku k přepravě nezapomeňte dbát předpisů pro nebezpečné materiály. Mohou platit místní předpisy.

- Při přepravě vždy vyjměte baterii.
- Přelepte konektory baterie páskou a zajistěte, aby se baterie při přepravě nemohla pohybovat.
- Během přepravy výrobek zajistěte.

Skladování

- Před uložením nechte výrobek vychladnout.
- Při skladování baterii vždy vyjmějte.
- Abyste zabránili nehodám, zajistěte, aby při skladování nebyla baterie připojená k výrobku.
- Nabíječku baterií uchovávejte na uzavřeném a suchém místě.
- Baterii a nabíječku baterií uchovávejte na suchém místě, kde nehrozí vlhkost či mráz.
- Při skladování baterii odpojte od nabíječky baterií.
- Neskladujte baterii v místech, kde může docházet k výbojům statické elektřiny. Neskladujte baterii v kovovém obalu.
- Umístěte výrobek na místo, kde je teplota v rozsahu – 10 až 40 °C.
- Baterii uchovávejte na místě s teplotou mezi 5 a 25 °C a mimo dosah slunečních paprsků.
- Nabíječku baterií uchovávejte na místě s teplotou mezi 5 a 45 °C a mimo dosah slunečních paprsků.
- Ujistěte se, že je baterie před dlouhodobým uskladněním nabitá na 30 % až 50 %.

- Produkt, baterii a nabíječku baterií skladujte v uzamčeném prostoru mimo dosah dětí a nepovolaných osob.
- Vyčistěte výrobek a ujistěte se, že je koš na trávu prázdný.
- Proveďte postupy údržby uvedené v tomto návodu k používání. Další informace jsou uvedeny v části Plán údržby na straně 49.
- Před dlouhodobým skladováním proveďte kompletní údržbu výrobku.

Likvidace

Symbolsy na produktu nebo jeho obalu označují, že tento výrobek nesmí být likvidován jako domácí odpad. Musí být odevzdán do příslušné recyklační stanice pro recyklaci elektrických a elektronických zařízení.

Zajištěním odpovídající likvidace tohoto výrobku pomůžete zabránit potenciálnímu negativnímu dopadu na životní prostředí a zdraví lidí, který by jinak mohl být důsledkem nesprávné likvidace tohoto výrobku. Podrobnější informace o recyklaci tohoto výrobku získáte na městském úřadě, u služby zajišťující zpracování domácího odpadu nebo v prodejně, kde jste výrobek zakoupili.

(Obr. 42)

Technické údaje

	LB 144i
Žací motor	
Typ motoru	BLDC (bezkomutátorový) 36 V
Otáčky motoru – SavE, ot/min	2600/min
Otáčky motoru – jmenovité, ot/min	3200/min
Otáčky motoru – vysoké zatížení, ot/min	3500/min
Výkon motoru – max., kW	0,9
Výkon motoru – jmenovitý, kW	0,75
Hnací motor	
Výkon motoru – jmenovitý, kW	Není k dispozici
Rychlost vlastního pojezdu, km/h	Není k dispozici
Úrovně rychlosti	Není k dispozici
Hmotnost	
Hmotnost (bez baterie), kg	15,5
Hmotnost (s 1x BLi30), kg	17,5
Baterie	

	LB 144i
Typ baterie	Řada baterií Husqvarna
Doba provozu baterie	
Provozní doba baterie, min. (volný chod) s aktivovanou funkcí SavE, s jednou baterií Husqvarna 7,5 Ah (BLi30)	170
Provozní doba baterie, min. (volný chod) s aktivovaným standardním režimem, s jednou baterií Husqvarna 7,5 Ah (BLi30)	135
Emise hluku ⁷	
Hladina akustického výkonu, změřená dB (A)	90
Hladina akustického výkonu, zaručená L _{WA} dB (A)	92
Hladiny hluku ⁸	
Hladina akustického tlaku na sluch obsluhy, dB (A)	77
Úrovně vibrací ⁹	
Řídítka, m/s ²	0,7
Žací ústrojí	
Výška sečení, mm	25–75
Šířka sečení, cm	44
Nůž standardní	Mulčovací 5298073-10
Příslušenství nože	Není k dispozici

Schválené baterie	Typ	Kapacita baterie, Ah	Napětí, V	Hmotnost, lb/kg
40-B140	Lithium-iontová	4	36	2,6/1,2
BLi30	Lithium-iontová	7,5	36	4,2/1,9

Schválené nabíječky pro uvedené baterie, BLi	Vstupní napětí, V	Frekvence, Hz	Výkon, W
40-C80	100–240	50–60	68,8
QC250	220–240	50	250

⁷ Emise hluku do okolního prostředí měřené jako akustický výkon (L_{WA}) v souladu se směrnicí 2000/14/ES.

⁸ Uváděná data pro hladinu akustického tlaku mají faktor odchylky (K) 1,5 dB (A).

⁹ Uváděná data pro hladinu vibrací mají faktor odchylky (K) 1,5 m/s². Deklarovaná celková hodnota vibrací byla měřena podle normy EN 62841-4-3, příloha I a lze ji použít ke vzájemnému porovnávání strojů i k předběžnému zhodnocení působení na uživatele.

Prohlášení o shodě

Prohlášení o shodě EU

Společnost **Husqvarna AB**, SE-561 82 Huskvarna,
Švédsko, tel.: +46-36-146500, na svou výhradní
odpovědnost prohlašuje, že výrobek:

Popis	Sekačka na trávu
Značka	Husqvarna
Typ/Model	LB 144i
Identifikace	Výrobní čísla od roku 2022 a dále

je zcela ve shodě s následujícími směrniciemi a předpisy
EU:

Nařízení	Popis
2006/42/ES	„o strojních zařízeních“
2014/30/EU	„o elektromagnetické kompatibilitě“
2000/14/ES	„týkající se emisí hluku do okolního prostředí“
2011/65/EU	„o omezení používání některých nebezpečných látek v elektrických a elektronických zařízeních“

a že byly použity následující normy nebo technické
specifikace: EN 62841-1:2015/AC:2015, EN IEC
62841-4-3:2021/A11:2021, EN ISO 12100:2010,
EN 55014-1:2021, EN 55014-2:2021, EN IEC
61000-6-2:2019, EN IEC 61000-6-3:2021, EN IEC
63000:2018

Oznámený subjekt: 0404, RISE SMP Svensk
Maskinprovning AB, Box 4053, SE-904 03 Umeå,
Sweden obdržel osvědčení o shodě se směrnicí rady
2000/14/ES, postup posouzení shody: Dodatek VI.

Informace o emisích hluku najdete v části Technické
údaje na strani 53.

Huskvarna, 2022-12-05



Claes Losdal, ředitel vývoje zahradního sortimentu,
Husqvarna AB

Osoba odpovědná za technickou dokumentaci



Indhold

Indledning	56	Fejlfinding	66
Sikkerhed	57	Transport, opbevaring og bortskaffelse	67
Montering.....	62	Tekniske data.....	68
Drift	62	Overensstemmelseserklæring	70
Vedligeholdelse.....	64		

Indledning

Produktbeskrivelse

Produktet er en roterende plæneklipper med gående fører, der anvender BioClip til at klippe græsset til gødning.

Produktoversigt

(Fig. 1)

1. Håndtag/styrestang
2. Motorbremsehåndtag
3. Startspærre
4. Løftehåndtag
5. Klippebord
6. Klippehøjdehåndtag
7. Sikkerhedsnøgle
8. Batterilåg
9. Højdejusteringsbjølle til styrestangen
10. SavE-knap
11. Advarselsindikator (fejl-LED)
12. Brugervejledning
13. Batterioplader (tilbehør)
14. Batteri (tilbehør)

Symboler på produktet

(Fig. 2) ADVARSEL

(Fig. 3) Læs instruktionerne.

(Fig. 4) ADVARSEL - Pas på genstande, der slynges ud.

(Fig. 5) Hold andre personer på afstand.

(Fig. 6) ADVARSEL - Hold hænder og fødder væk fra knivene.

(Fig. 7) ADVARSEL - Frakobl batteriet før vedligeholdelse.

(Fig. 8) Produktet og produktemballagen er ikke almindeligt husholdningsaffald. Aflever det

Anvendelsesformål

Brug produktet til at slå græs. Brug ikke produktet til andre opgaver.

på en genbrugsstation til elektrisk og elektronisk udstyr.

(Fig. 9) Mærkat vedrørende emission af støj til omgivelserne i henhold til direktiver og regulativer i EU og Storbritannien og New South Wales' lovgivning om "Beskyttelse af miljøet (støjbegrensning) forordning 2017". Produktets garanterede lydeffektniveau er angivet i Tekniske data på side 68 og på mærkaten.

(Fig. 10) Dette udstyr er i overensstemmelse med gældende CE-direktiver.

(Fig. 11) Dette produkt er i overensstemmelse med gældende UK-bestemmelser.

(Fig. 12) Produktet er drypbeskyttet.

(Fig. 13) Slip motorbremsehåndtaget for at stoppe.

(Fig. 14) Kode, der kan scannes.

Bemærk: Andre symboler/mærkater på produktet henviser til certificeringskrav på visse markeder.

Produktansvar

Som nævnt i produktansvarsbestemmelserne hæfter vi ikke for skader forårsaget af vores produkt, hvis:

- produktet er forkert repareret.
- produktet er repareret med dele, der ikke er fra producenten eller ikke er godkendt af producenten
- produktet har tilbehør, der ikke er fra producenten eller ikke er godkendt af producenten.
- produktet ikke er repareret på et godkendt servicecenter eller af en godkendt myndighed.

Sikkerhed

Sikkerhedsdefinitioner

Advarsler, forholdsregler og bemærkninger bruges til at pege på særligt vigtige dele af brugsanvisningen.



ADVARSEL: Bruges, hvis føreren udsætter sig selv eller omkringstående personer for risiko for personskade eller dødsfald ved tilsidesættelse af instruktionerne i brugsanvisningen.



BEMÆRK: Bruges, hvis der er risiko for skader på produktet, andre materialer eller det omgivende område ved tilsidesættelse af instruktionerne i brugsanvisningen.

Bemærk: Bruges til at give yderligere oplysninger, der er nødvendige i en given situation.

Generelle sikkerhedsadvarsler for produktet



ADVARSEL: Læs alle sikkerhedsadvarsler, instruktioner, illustrationer og specifikationer, der følger med dette produkt. Hvis du ignorerer de nedenfor anførte instruktioner, kan det medføre elektrisk stød, brand og/eller alvorlige skader.

Opbevar alle advarsler og instruktioner til senere brug. Betegnelsen "produkt" i advarslerne henviser til dit produkt, som drives af strøm fra elektricitetsnettet (med ledning) eller fra batteri (ledningsfrit).

Sikkerhed i arbejdsområdet

- Hold arbejdsområdet rent og godt oplyst. Rodede eller mørke områder er en invitation til ulykker.
- Betjen ikke produktet i områder med eksplosionsfare som f.eks. i nærheden af brændbare væsker, luftarter eller støv. Produktet danner gnister, som kan antænde støvet eller dampene.
- Hold børn og omkringstående personer væk, mens produktet betjenes. Distraction kan få dig til at miste styringen.

Elektrisk sikkerhed

- Stikket på produktet skal passe til stikkontakten. Man må aldrig ændre på stikket. Benyt ikke adapterstik i forbindelse med jordet produkt. Uændrede stik og passende stikkontakter reducerer risikoen for elektrisk stød.
- Undgå kropskontakt med jodede genstande som f.eks. rør, radiatorer, komfurer og køleskabe. Der

er øget risiko for elektrisk stød, hvis din krop har forbindelse til jord.

- Udsæt ikke produkter for regn eller våde omgivelser. Vand, som trænger ind i et produkt, øger risikoen for elektrisk stød.
- Behandl kablet forsigtigt. Benyt aldrig ledningen til at bære eller trække produktet eller til at trække stikket ud. Hold ledningen væk fra varme, olie, skarpe kanter eller bevægelige dele. Beskadigede eller filtrede kabler forøger risikoen for elektrisk stød.
- Når du betjener et produkt udendørs, skal du benytte en forlængerledning, der egner sig til udendørs brug. Brug af en ledning, der er egnet til udendørs brug, reducerer risikoen for elektrisk stød.
- Hvis det ikke kan undgås at arbejde med et produkt under fugtige forhold, skal der benyttes en elforsyning, som er beskyttet med en fejlstrømsafbryder (RCD). En fejlstrømsafbryder nedsætter risikoen for elektrisk stød.

Personlig sikkerhed

- Vær opmærksom, hold øje med, hvad du foretager dig, og brug sund fornuft, når du betjener et produkt. Benyt ikke et produkt, hvis du er træt eller er påvirket af narkotika, alkohol eller medicin. Et øjeblik uopmærksomhed under betjening af produkter kan resultere i alvorlig personskade.
- Bær personligt beskyttelsesudstyr. Brug altid beskyttelsesbriller. Beskyttelsesudstyr som støvmaske, skridsikre sikkerhedssko, beskyttelseshjelm eller høreværn, som benyttes til de relevante formål vil nedsætte risikoen for personskade.
- Sørg for at forhindre uønsket start af værktøjet. Sørg for, at kontakten er i frakoblet position, før du slutter produktet til strømkilden og/eller batterienheden, samt når du tager eller bærer produktet. At bære produkter med fingeren på kontakten eller at sætte strøm til produkter med tændt kontakt udgør en risiko for ulykker.
- Fjern alle indstillingsværktøjer og skruenøgler, før elværktøjet tændes. En skruenøgle eller et værktøj, der efterlades fastsiddende i en roterende del af produktet, kan forårsage personskade.
- Stræk dig ikke for langt. Sørg for altid at have godt fodfæste og god balance. Dette sikrer bedre kontrol over produktet i uventede situationer.
- Bær det korrekte tøj. Undgå at bære løstsiddende tøj eller smykker. Hold hår og tøj væk fra bevægelige dele. Løst tøj, smykker eller langt hår kan blive fanget af bevægelige dele.
- Hvis der forefindes udstyr til støvudsugning og -opsamling, skal du sikre, at det er tilsluttet, og at det bruges korrekt. Brug af støvopsamling kan nedbringe støvrelaterede farer.

- Lad ikke erfaringen fra tidligere brug af produkter gøre dig eftergivende, så du ignorerer sikkerhedsprincipperne for produktet. En uforsigtig handling kan give alvorlige skader på en brøkdal af et sekund.

Brug og pleje af produktet

- Tving aldrig produktet. Brug det korrekte produkt til din opgave. Det korrekte produkt udfører arbejdet bedre og mere sikkert ved den hastighed, som det er konstrueret til.
- Brug ikke produktet, hvis kontakten ikke kan slå det til og fra. Ethvert produkt, som ikke kan styres med kontakten, er farligt og skal repareres.
- Tag stikket ud af stikkontakten og/eller fjern batterienheden, hvis den kan tages ud, fra produkter, før du foretager justeringer, skifter tilbehør eller sætter dem til opbevaring. Denne form for forebyggende sikkerhedsforanstaltninger nedsætter risikoen for, at produktet sættes i gang ved et uheld.
- Når de ikke er i brug, skal produkter opbevares uden for børns rækkevidde, og personer, der ikke er bekendt med produktet eller disse instruktioner, må ikke kunne komme til at betjene produktet. Produkter er farlige i hænderne på utrænede brugere.
- Vedligeholdelse af produkter og tilbehør. Kontrollér, om bevægelige dele sidder korrekt, eller om de binder. Se også efter, om der er defekte dele, og kontrollér alle andre forhold, som kan påvirke driften af produktet. Hvis produktet er beskadiget, skal det repareres, før det bruges igen. Mange ulykker skyldes dårligt vedligeholdte produkter.
- Hold skæreprodukter skarpe og rene. Korrekt vedligeholdte skæreprodukter med skarpe klinger er mindre tilbøjelige til at binde og er lettere at styre.
- Benyt produktet, tilbehøret, værktøjsbits osv. i overensstemmelse med disse instruktioner, og tag højde for arbejdsforholdene og det arbejde, der skal udføres. Hvis produktet bruges til andre formål end de tiltænkte, kan der opstå en farlig situation.
- Hold håndtag og gribeblader tørre, rene og frie for olie og fedt. Glatte håndtag og gribeblader muligvis ikke sikker håndtering og kontrol af produktet i uventede situationer.

Brug og pleje af batteriredskaber

- Genoplad kun med den oplader, som producenten foreskriver. En oplader, der egner sig til en bestemt type batteripakke, kan medføre risiko for brand, hvis den benyttes sammen med en anden batteripakke.
- Brug kun produkter sammen med de batterienheder, der er beregnet specifikt til dem. Brug af andre batterienheder medfører risiko for skader og brand.
- Når batterienheden ikke anvendes, skal du holde den væk fra andre metalgenstande, såsom papir, clips, mønter, nøgler, søm, skruer eller andre små metalgenstande, der kan kortslutte polerne. Kortslutning af batteripolerne kan forårsage forbrændinger eller brand.

- Under ugunstige forhold kan der sprøjte væske ud fra batteriet, undgå kontakt. Hvis væsken alligevel berøres, skal der skylles med vand. Hvis du får væske i øjnene, skal du søge læge. Væske, der trænger ud af batteriet, kan forårsage irritation og ætsningsskader.
- Brug ikke en batteripakke eller et værktøj, som er beskadiget eller modificeret. Beskadigede eller modificerede batterier kan opføre sig uforudsigeligt og medføre brand, eksplosion eller risiko for personskade.
- Udsæt ikke en batteripakke eller et værktøj for brand eller høje temperaturer. Udsættelse for brand eller temperatur over 130 °C / 265 °F kan forårsage eksplosion.
- Følg alle opladningsanvisninger, og oplad ikke batteripakken eller værktøjet uden for det temperaturområde, der er angivet i instruktionerne. Forkert opladning eller opladning ved temperaturer uden for det specificerede område kan beskadige batteriet og øge risikoen for brand.

Service

- Få en kvalificeret reparatør til at foretage service på produktet, og brug kun originale reservedele. Dette sikrer, at produktet altid fungerer sikkert.
- Der må aldrig udføres service på beskadigede batteripakker. Service på batteripakker bør kun udføres af producenten eller autoriserede serviceudbydere.

Sikkerhedsadvarsler for plæneklippere

- Brug ikke plæneklipperen i dårligt vejr, specielt hvis der er risiko for lynnedslag. Dette mindsker risikoen for at blive ramt af lynnedslag.
- Undersøg grundigt det område, hvor plæneklipperen skal bruges, for at se, om der er dyr. Vilde dyr kan komme til skade af plæneklipperen under betjening.
- Undersøg grundigt det område, hvor plæneklipperen skal bruges, og fjern alle sten, pinde, kabler, knogler og andre uvedkommende genstande. Udkastede genstande kan forårsage alvorlige personskader.
- Før brug skal plæneklipperen altid efterses visuelt for at se, at kniven, knivbolten og knivenheden ikke er slidte eller beskadigede. Beskadigede eller slidte dele øger risikoen for personskade.
- Græsopsamlere skal hyppigt kontrolleres for slidage og effektivitetsforringelse. En slidt eller beskadiget græsopsamlere kan øge risikoen for personskade.
- Hold skærmene på plads. Skærmene skal være i driftsklar stand og monteret korrekt. En skærm, der er løs, beskadiget eller ikke fungerer korrekt, kan medføre personskade.
- Hold alle køleluftsindtag fri for snavs. Blokerede luftindtag og snavs kan medføre overophedning eller risiko for brand.

- **Brug altid skridsikkert og beskyttende fodtøj, når du betjener plæneklipperen. Betjen ikke plæneklipperen med bare fødder eller åbne sandaler.** Dette reducerer risikoen for, at fødderne kommer i kontakt med den bevægelige kniv.
- **Bær altid lange bukser, når du betjener plæneklipperen.** Blotlagt hud øger sandsynligheden for skader fra udslyngede genstande.
- **Betjen ikke plæneklipperen i vådt græs. Gå. Løb aldrig.** Dette reducerer risikoen for at glide og falde, hvilket kan medføre personskaade.
- **Betjen ikke plæneklipperen på meget stejle skrånninger.** Dette reducerer risikoen for tab af kontrol og for at glide og falde, hvilket kan medføre personskaade.
- **Når du arbejder på skrånninger, skal du altid være sikker på, at du står godt fast. Arbejd altid på tværs af skrånninger, aldrig op eller ned, og udvis stor forsigtighed, når du skifter retning.** Dette reducerer risikoen for tab af kontrol og for at glide og falde, hvilket kan medføre personskaade.
- **Vær yderst forsigtig, når du bakker eller trækker plæneklipperen mod dig selv. Vær altid opmærksom på omgivelserne.** Dette reducerer risikoen for at snuble under drift.
- **Rør ikke ved knive og andre farlige bevægelige dele, mens de stadig er i bevægelse.** Dette reducerer risikoen for personskaade som følge af bevægelige dele.
- **Når du fjerner fastsiddende materiale eller rengør plæneklipperen, skal du sørge for, at alle kontakter er slået fra, og at netledningen er frakoblet.** Uventet betjening af plæneklipperen kan medføre alvorlig personskaade.

Fejlstrømsafbryder

- Brug en fejlstrømsafbryder med en udløsningsstrøm på maks. 30 mA.

Generelle sikkerhedsinstruktioner



ADVARSEL: Læs følgende advarelsinstruktioner, inden du bruger produktet.

- Dette produkt er farligt, hvis det bruges forkert, eller hvis du ikke er forsigtig. Personskaade eller dødsfald kan forekomme, hvis du ikke overholder sikkerhedsinstruktionerne.
- Dette produkt danner et elektromagnetisk felt under betjening. Dette felt kan i nogle tilfælde påvirke aktive eller passive medicinske implantater. For at reducere risikoen for alvorlige eller dødbringende kvæstelser anbefaler vi, at personer med medicinske implantater kontakter deres læge og producenten af

det medicinske implantat, før de tager produktet i brug.

- Vær altid forsigtig, og brug din sunde fornuft. Hvis du ikke er sikker på, hvordan produktet betjenes en særlig situation: Stop, og kontakt Husqvarna forhandleren, inden du fortsætter.
- Vær opmærksom på, at føreren er ansvarlig for ulykker, der involverer andre personer eller disses ejendom.
- Hold produktet rent. Sørg for, at skilte og mærkater er tydeligt læsbare.
- Lad aldrig børn eller personer, der ikke kender apparatet, bruge det. Der kan være lokale regler for, hvor gammel brugeren skal være.
- Hold altid øje med personer med nedsat fysisk eller mental kapacitet, der bruger produktet. En voksen skal være til stede hele tiden.
- Brug ikke produktet, hvis du er træt, syg eller påvirket af alkohol, narkotika eller medicin. Det har en negativ virkning på synet, overliskket, koordinationssevnen og dømmekraften.
- Brug ikke produktet, hvis det er fejlbehæftet.
- Foretag ikke ændringer på produktet, og undlad at bruge det, hvis der er risiko for, at det er blevet ændret af andre.

Arbejdssikkerhed



ADVARSEL: Læs følgende advarelsinstruktioner, inden du bruger produktet.

- Brug kun produktet til græsslåning. Det er ikke tilladt at bruge det til andre opgaver.
- Bær personligt beskyttelsesudstyr. Se Personligt beskyttelsesudstyr på side 60.
- Sørg for, at du ved, hvordan du standser motoren hurtigt i nødstilfælde.
- Betjen ikke produktet i regn eller våde omgivelser. Risikoen for elektriske stød øges, hvis der trænger vand ind i produktet.
- Betjen ikke produktet, medmindre kniven og alle afskærmninger er monteret korrekt. En forkert monteret klinge kan løsne sig og forårsage personskaade.
- Sørg for, at kniven ikke rammer genstande som f.eks. sten og rødder. Det kan beskadige klingens og bøjge motorakslen. En bøjet aksel giver kraftige vibrationer og stor risiko for, at kniven løsner sig.
- Hvis kniven rammer en genstand, eller der opstår vibrationer, skal du straks standse produktet. Stands motoren, drej sikkerhedsnøglen til 0, og afmonter batteriet. Vent, indtil bevægelige dele stopper. Undersøg, om produktet er blevet beskadiget. Spænd løse dele. Reparér skader, og udskift beskadigede dele. Lad et godkendt serviceværksted udføre reparationen.
- Fastgør aldrig motorbremsehåndtaget permanent på styret, når motoren er startet.

- Anbring produktet på et stabilt, fladt underlag, og start det. Sørg for, at kniven ikke rammer jorden eller andre genstande.
- Hold dig altid bag produktet, mens du betjener det.
- Lad alle hjulene blive på jorden, og hold 2 hænder på styret, når du betjener produktet. Hold hænder og fødder på sikker afstand af de roterende knive.
- Vip ikke produktet, når du starter motoren eller under betjening af produktet.
- Vær forsigtig, når du trækker produktet baglæns.
- Løft aldrig produktet, når motoren er startet. Hvis du skal løfte produktet, skal du først stoppe motoren, dreje sikkerhedsnøglen til 0 og afmontere batteriet.
- Gå ikke baglæns, når du bruger produktet.
- Stands motoren, når det er nødvendigt at vippe produktet i forbindelse med transport, eller før du kører på tværs af områder uden græs, f.eks. stier lavet af grus, sten og asfalt.
- Undlad at køre med produktet, når motoren er startet. Gå altid fremad, når du bruger produktet.
- Stands motoren, inden du ændrer klippehøjden. Udfør aldrig justeringer, mens motoren kører.
- Efterlad aldrig produktet uden opsyn, når motoren er startet. Stands motoren, og sørg for, at skæreudstyret ikke roterer.
- Vibrationerne i produktet under betjening kan være forskellige fra den angivne vibrationsværdi i Tekniske data på side 68. Forskellen skyldes variationer i, hvordan produktet anvendes. Hvis du bruger produktet ofte eller i længere tid ad gangen, skal du holde pauser regelmæssigt for at undgå skader som følge af vibrationer.

Sikkerhedsinstruktioner for drift

Personligt beskyttelsesudstyr



ADVARSEL: Læs følgende advarselsinstruktioner, inden du bruger produktet.

- Personligt beskyttelsesudstyr udelukker ikke fuldstændigt risikoen for personskader, men det mindsker graden af skaderne i tilfælde af, at der skulle ske en ulykke. Lad forhandleren hjælpe dig med at vælge det rigtige udstyr.
- Brug kraftige, skridsikre støvler eller sko. Brug ikke åbne sko, og gå heller ikke på bare fødder.
- Brug kraftige, lange bukser.
- Brug om nødvendigt beskyttelseshandsker, f.eks. ved montering, eftersyn eller rengøring af skæreudstyret.
- Vi anbefaler brugen af høreværn.

Sikkerhedsanordninger på produktet



ADVARSEL: Læs følgende advarselsinstruktioner, inden du bruger produktet.

- Brug ikke et produkt med defekte sikkerhedsanordninger.
- Du må ikke fjerne eller foretage ændringer af sikkerhedsanordninger.
- Kontrollér sikkerhedsanordningerne regelmæssigt. Hvis sikkerhedsanordningerne er defekte, skal du henvende dig til dit Husqvarna-serviceværksted.

Sådan kontrolleres klippeskjoldet

Klippeskjoldet mindsker vibrationer i produktet og reducerer risikoen for skader fra klingens.

- Undersøg klippeskjoldet for at sikre, at der ikke er skader såsom revner.

Sådan kontrolleres sikkerhedsnøglen

Sikkerhedsnøglen er under batterilåget. Sikkerhedsnøglen forbinder det batteri, der forsyner motoren med strøm.

- Start og stop motoren for at kontrollere sikkerhedsnøglen.
- Hvis sikkerhedsnøglen fungerer korrekt, kan motoren kun starte, når nøglen er i position 1. (Fig. 15)

Sådan kontrolleres motorbremsehåndtaget

Motorbremsehåndtaget standser motoren. Når motorbremsehåndtaget slippes, standser motoren.

- Start produktet. Se Sådan startes produktet på side 63.
- Slip motorbremsehåndtaget. (Fig. 16)
- Sørg for, at produktet standser. Hvis motoren ikke standser inden for 3 sekunder, skal et godkendt Husqvarna-serviceværksted justere motorbremsen.

Sådan kontrolleres startspærren

Efterse startspærren for at sikre, at den forhindrer drift af motoren.

1. Skub bøjlen til fremtrækket i retning mod styret. Startspærren standser bevægelsen.
2. Skub startspærren ud. (Fig. 17)
3. Slip startspærren, og sørg for, at den returnerer til udgangspositionen.

Batterisikkerhed



ADVARSEL: Læs følgende advarselsinstruktioner, inden du bruger produktet.

- Brug kun genopladelige Husqvarna-batterier som strømforsyning til relaterede Husqvarna-produkter. For at undgå personskade må batteriet ikke anvendes som strømforsyning til andre produkter.
- Undgå at bruge ikke-genopladelige batterier.

- Risiko for elektrisk stød. Tilslut ikke batteripolerne til nøgler, mønter, skruer eller andre metalgenstande. Dette kan medføre en kortslutning af batteriet.
- Sæt ikke genstande ind i batteriets luftspalte.
- Hold batteriet væk fra sollys, varme og åben ild. Batteriet kan eksplodere og medføre forbrændinger og/eller kemiske forbrændinger.
- Hold batteriet væk fra regn og våde omgivelser.
- Hold batteriet væk fra mikrobølger og højt tryk.
- Forsøg ikke at skille batteriet ad eller ødelægge det.
- Hvis batteriet lækker, skal du sørge for, at væsken ikke kommer i kontakt med hud eller øjne. Ved berøring af væsken skal området skylles med en stor mængde vand, og opsøg derefter lægehjælp.
- Brug kun batteriet i produktet, hvis omgivelsestemperaturen er mellem 5 °C og 40 °C.
- Brug kun batteriopladeren, hvis omgivelsestemperaturen er mellem 5 °C og 40 °C.
- Batteriet oplades ikke, hvis batteriets temperatur er højere end 50 °C.
- Batteriet eller batteriopladeren må aldrig rengøres med vand. Se Sådan rengøres batteriet og batteriopladeren på side 65.
- Brug ikke et defekt eller beskadiget batteri.
- Opbevar batterierne væk fra metalgenstande som f.eks. søm, mønter og smykker.
- Batteriopladeren må aldrig rengøres med vand.
- Batteriopladeren kan bruges af børn fra 8 år og opad samt af personer med nedsatte fysiske, følelsesmæssige eller mentale evner eller manglende erfaring og viden, hvis de er under opsyn eller har modtaget træning i brugen af batteriopladeren på en sikker måde og forstår farerne, der er forbundet med brugen. Børn må ikke lege med batteriopladeren. Rengøring og vedligeholdelse må ikke udføres af børn uden overvågning.
- Ikke-genopladelige batterier må ikke oplades i batteriopladeren.
- Brug ikke batteriopladeren i nærheden af brandfarlige materialer eller materialer, der kan medføre korrosion. Batteriopladeren må ikke tildækkes. I tilfælde af røgafgivelse eller brand skal batteriopladeren afbrydes fra stikkontakten.
- Brug ikke defekte eller beskadigede batteriopladere.
- Oplad kun batteriet indendørs i et rum med god ventilation og beskyttet mod direkte sollys. Oplad ikke batteriet under våde forhold.

Sikkerhedsinstruktioner for vedligeholdelse



ADVARSEL: Læs følgende advarselsinstruktioner, inden du bruger produktet.

Batteriopladersikkerhed



ADVARSEL: Læs følgende advarselsinstruktioner, inden du bruger produktet.

- Brug udelukkende QC-batteriopladerne til at oplade uskiftelige Husqvarna-batterier.
- Minimér risikoen for elektrisk stød eller kortslutning. Sæt ikke genstande ind i opladerens luftspalte. Forsøg aldrig at adskille batteriopladeren. Forbind ikke batteriopladerens poler med metalgenstande. Brug en godkendt stikkontakt.
- Dette produkt danner et elektromagnetisk felt under betjening. Dette felt kan i nogle tilfælde påvirke aktive eller passive medicinske implantater. For at reducere risikoen for alvorlige eller dødbringende kvæstelser anbefaler vi, at personer med medicinske implantater kontakter deres læge og producenten af det medicinske implantat, før de tager produktet i brug.
- Undersøg regelmæssigt, at ledningen til batteriopladeren er intakt, og at der ikke er revner i den.
- Løft aldrig batteriopladeren ved hjælp af ledningen. Træk stikket ud for at afbryde batteriopladeren fra stikkontakten. Træk ikke i strømkablet.
- Hold strømledningen og forlængerledninger væk fra vand, olie og skarpe kanter. Sørg for, at ledningen ikke bliver klemmt i døre, hegn eller lignende. Det kan medføre, at opladeren bliver strømførende.
- For at undgå utilsigtet start i forbindelse med vedligeholdelse, skal du dreje sikkerhedsnøglen til 0 og fjerne batteriet. Vent i mindst 5 sekunder, før du påbegynder vedligeholdelse.
- Foretag kun den form for vedligeholdelsesarbejde, der er angivet i denne brugsanvisning. Mere omfattende arbejde og professionelle reparationer skal udføres af et godkendt serviceværksted. Kontakt dit nærmeste serviceværksted for at få flere oplysninger.
- Udfør vedligeholdelsesarbejde korrekt for at øge levetiden for produktet og mindske risikoen for ulykker.
- Udskift beskadigede, slidte eller defekte dele. Brug altid originale reservedele fra producenten. Andre reservedele kan beskadige produktet og øge risikoen for ulykker.
- For at forhindre skader må du ikke fjerne eller foretage ændringer af sikkerhedsanordninger.
- Ifør dig kraftige handsker, når du anvender skæredustret. Kniven er meget skarp, og du kan nemt komme til at skære dig.
- Hold klingerne skarpe og rene for at sikre den bedst mulige ydeevne.
- Lad jævnligt serviceværkstedet efterse produktet og foretage de nødvendige justeringer og reparationer.
- Følg vejledningen for, hvordan du udskifter tilbehør. Brug kun tilbehør fra producenten.
- Når de ikke er i drift, skal du holde produktet, batteriet og batteriopladeren adskilt et tørt,

indendørs og aflåst sted. Sørg for, at børn og personer, som ikke er godkendt, ikke kan få adgang til produktet, batteriet eller batteriopladeren.

Montering

Indledning



ADVARSEL: Før du samler produktet, skal du læse sikkerhedskapitlet.



ADVARSEL: For at undgå utilsigtet start under monteringen, skal du dreje sikkerhedsnøglen til 0, fjerne batteriet og vente i mindst 5 sekunder.

Sådan samles håndtaget

1. Fold det øverste håndtag fremad.

2. Spænd reguleringshåndgrebene. (Fig. 18)
3. Træk håndtaget bagud, indtil det er i endepositionen.
4. Fold højdejusteringsbøjlen ned, og sæt den ind i rillen. (Fig. 19)
5. Tryk højdejusteringsbøjlen ned med foden. (Fig. 20)

Sådan justeres styrets højde

1. Tryk højdejusteringsbøjlen ind med foden.
2. Sæt styrestangen i den korrekte position, og slip den. (Fig. 21)

Drift

Indledning



ADVARSEL: Før du bruger produktet, skal du læse og forstå kapitlet om sikkerhed.

Husqvarna Connect

Husqvarna Connect er en gratis app til din mobile enhed. Appen Husqvarna Connect giver udvidede funktioner til dit Husqvarna produkt:

- Yderligere produktoplysninger.
- Oplysninger om, og hjælp til, dele og service.

Sådan kommer du i gang med at bruge Husqvarna Connect

1. Download Husqvarna Connect appen på din mobile enhed.
2. Tilmeld dig i Husqvarna Connect appen.
3. Følg instruktionerne i Husqvarna Connect appen for at tilslutte og registrere produktet.

Sådan sættes produktet i driftsstilling

1. Sådan samles håndtaget. Se Sådan samles håndtaget på side 62.
2. Juster styrets højde. Se Sådan justeres styrets højde på side 62.



BEMÆRK: Sørg for, at der ikke er for stor spænding i kablerne. For høj en spænding kan beskadige kablet, hvis styret er foldet op i transportposition.



ADVARSEL: Brug ikke produktet, medmindre håndtaget er foldet helt op og indstillet i en af de relevante højdepositioner. Se Sådan justeres styrets højde på side 62.

Sådan indstilles klippehøjden

Klippehøjden kan justeres i 6 forskellige trin.

1. Stop motoren.
2. Flyt klippehøjdehåndtaget bagud for at øge klippehøjden. (Fig. 22)
3. Flyt klippehøjdehåndtaget fremad for at mindske klippehøjden.



BEMÆRK: Indstil ikke klippehøjden for lavt. Knivene kan ramme jorden, hvis græsplænenes overflade ikke er jævn.

Batteri



ADVARSEL: Inden brug af produktet skal du læse og sætte dig ind i kapitlet om sikkerhed. Du skal også læse og sætte dig ind i brugsanvisningen for batteriet og batteriopladeren.

Opbevar batteriet og batteriopladeren i de korrekte omgivende temperaturer.

	Omgivelsestemperatur
Betjening af batteriet	5 °C - 40 °C

	Omgivelsestemperatur
Opladning af batteriet	5 °C - 40 °C

Batteristatus

Displayet viser batteriets resterende batterikapacitet, og om der er problemer med batteriet. Batteriets ladestatus vises i 5 sekunder, efter at maskinen er slukket, eller batteriindikatorknappen er trykket ned. Advarselssymbolet på batteriet tændes, når der er sket en fejl. Se Batteri på side 66.

(Fig. 23)

LED-lys	Batteristatus
Alle LED'er er tændt	Fuldt opladet (75-100 %)
LED 1, LED 2 og LED 3 er tændt	Batteriet er opladet 50-75 %
LED 1 og LED 2 er tændt	Batteriet er opladet 25-50 %
LED 1 er tændt	Batteriet er opladet 0-25 %.
LED 1 blinker	Batteriet er afladet. Oplad batteriet.

Sådan oplades batteriet

Oplad batteriet, inden første ibrugtagning. Batteriet er kun 30 % opladet, når det leveres til kunden.

Bemærk: Batteriopladeren skal tilsluttes til den spænding og frekvens, der fremgår af typeskiltet.

Batteriet oplades ikke, hvis batteriets temperatur er over 50 °C. Batteriopladeren sænker batteriets temperatur, før det begynder at oplade.

1. Forbind den ene ende af ledningen til batteriopladeren til stikket på batteriopladeren.
2. Forbind den anden ende af ledningen til batteriopladeren til en jordet stikkontakt. LED'en på batteriopladeren blinker grønt én gang. (Fig. 24)
3. Isæt batteriet i batteriopladeren. Den grønne lampe på opladeren lyser, når batteriet er korrekt forbundet med batteriopladeren. (Fig. 25)
4. Når alle LED'erne på batteriet er tændt, er batteriet fuldt opladet. Oplad batteriet i maks. 24 timer.
5. For at afbryde batteriopladeren fra stikkontakten, skal du trække i stikket, ikke i ledningen.
6. Fjern batteriet fra batteriopladeren.

Batteriets ladestatus

Husqvarna Lithium-ion-batterier kan oplades eller bruges ved en hvilken som helst ladestand. Batteriet er

ikke beskudiget. Et fuldt opladet batteri vil ikke aflades, selv når batteriet efterlades i opladeren.

LED-display	Ladestatus
LED 1 blinker	0 %-25 %
LED 1 er tændt, LED 2 blinker	25 %-50 %
LED 1, LED 2 er tændt, LED 3 blinker	50 %-75 %
LED 1, LED 2, LED 3 er tændt, LED 4 blinker	75 %-100 %
LED 1, LED 2, LED 3, LED 4 er tændt	Fuldt opladet

Sådan startes produktet

1. Åbn batterilåget.
2. Isæt et opladet batteri i batteriholderen.
3. Drej sikkerhedsnøglen til 1. (Fig. 26)
4. Stil dig bag produktet.
5. Løsn startspærren. (Fig. 17)
6. Skub bøjlen til fremtrækket i retning mod håndtaget. (Fig. 27)

Sådan bruges SaveE™-funktionen

Produktet har en batterisparefunktion (SaveE™), der giver længere driftstid.

- Tryk SaveE™-knappen til position 1 for at starte funktionen. (Fig. 28)
- Tryk SaveE™-knappen til position 0 for at standse funktionen.

Bemærk: SaveE™-funktionen standser automatisk, hvis terrænforholdene gør det nødvendigt at have en højere effekt. SaveE™-funktionen starter automatisk igen, når terrænforholdene gør det muligt.

Høj belastningsfunktion

Når produktet klipper langt eller vådt græs, øger motoren automatisk o/min. Motoren skifter tilbage til standardtilstand, når høj belastning ikke er nødvendigt.

Motoren stopper

Under betjening kan kniven og motoren midlertidigt stoppe på grund af forhindringer som f.eks. græsbløking under klippeskjoldet. Hvis dette sker, og du holder motorbremsehåndtaget trykket ned, så genstarter produktet automatisk. Hvis produktet ikke genstarter i løbet af 5-10 sekunder, kan det være nødvendigt at rengøre under klippeskjoldet. Se Sådan rengøres produktet på side 65.



ADVARSEL: Hvis motoren stopper, så forsøger produktet at genstarte automatisk i 5-10 sekunder. Vent i mindst 15 sekunder, før du udfører en kontrol af klippeskjoldet.



ADVARSEL: Før en kontrol af klippeskjoldet skal du slippe motorbremsehåndtaget, dreje sikkerhedsnøglen til 0, fjerne batteriet og vente i mindst 5 sekunder. Der er risiko for personskade, hvis forhindringen fjernes, og produktet starter ved et uheld.

Sådan standses produktet



ADVARSEL: Drej sikkerhedsnøglen til 0, før du efterlader produktet uden opsyn.

1. Slip motorbremsehåndtaget for at standse motoren. (Fig. 29)
2. Åbn batterilåget, og drej sikkerhedsnøglen til 0. (Fig. 30)

3. Fjern batteriet ved at trykke på de 2 udløserknapper og trække batteriet ud. (Fig. 31)
4. Oplad batteriet, hvis det er svagt. Se Sådan oplades batteriet på side 63 for at få flere oplysninger.

Sådan opnår du et godt resultat

- Sørg altid for, at klingen er skarp. En sløv klinge giver et uregelmæssigt resultat, og græssets snitflade bliver gul. En skarp klinge bruger desuden mindre energi end en sløv klinge.
- Klip aldrig mere end $\frac{1}{3}$ af græssets længde. Klip først med klippehøjden indstillet højt. Efterse resultatet, og sænk derefter klippehøjden til det ønskede niveau. Hvis græsset er meget højt, skal du køre langsomt og om nødvendigt klippe 2 gange.
- Klip i forskellige retninger hver gang for at undgå striber i græsplænen.
- Hold klippeafskærmningen ren. Ophobning af græs og snavs på indersiden af klippeafskærmningen kan forringe klipperesultatet. Se Sådan rengøres produktet på side 65.

Vedligeholdelse

Indledning



ADVARSEL: Inden der foretages vedligeholdelse, skal du læse og forstå kapitlet om sikkerhed.

Alt service- og reparationsarbejde på produktet kræver specialuddannelse. Vi garanterer faglig korrekt reparation og service. Hvis forhandleren ikke er et serviceværksted, kan vedkommende oplyse om nærmeste serviceværksted.

Se www.husqvarna.com for at få mere detaljerede oplysninger.

Vedligeholdelsesskema

Vedligeholdelsesintervallerne er fastlagt baseret på daglig brug af produktet. Intervallerne ændres, hvis produktet ikke bruges dagligt.

For vedligeholdelse identificeret med * henvises til vejledningen i Sikkerhed på side 57.

	Hver brug	Månedligt	Hver sæson
Foretag et generelt eftersyn.	X		
Rengør produktet.	X		
Rengør området omkring håndtagets højdejusteringsbøjle.	X		
Kontrollér startspærren. *	X		
Sørg for, at sikkerhedsanordningerne på produktet ikke er defekte. *	X		
Efterse klippeudstyret.	X		
Efterse klippebordet. *	X		
Kontrollér motorbremsehåndtaget. *	X		
Efterse batteriet for skader.	X		

	Hver brug	Månedligt	Hver sæson
Kontrollér batteriopladeren.	X		
Sørg for, at udløserknapperne på batteriet fungerer korrekt, og at batteriet låses på plads i produktet.	X		
Efterse batteriopladeren for skader, og sørg for, at den fungerer korrekt.		X	
Efterse forbindelserne mellem batteriet og produktet. Efterse også forbindelsen mellem batteriet og batteriopladeren.			X

Sådan udføres et generelt eftersyn

- Sørg for, at møtrikker og skruer på produktet er spændt.
- Sørg for, at ledningerne på produktet ikke er placeret på en måde, så de kan blive beskadiget.

Sådan rengøres produktet

- Rengør plasticdele med en ren og tør klud.
- Brug ikke vand til rengøring af produktet. Vand kan trænge ind i batteriet eller motoren og forårsage kortslutning eller beskadigelse af produktet.
- Brug ikke en højtryksrensere til at rengøre produktet.
- Sprøjt aldrig vand direkte på motoren.
- Brug en børste til at fjerne blade, græs og snavs.

Sådan rengøres batteriet og batteriopladeren



ADVARSEL: Batteriet eller batteriopladeren må aldrig rengøres med vand.



ADVARSEL: Brug ikke kemiske stoffer til at rengøre batteriet.

- Sørg for, at batteriet og opladeren er rene og tørre, før du sætter batteriet i batteriopladeren.
- Rengør batteriets poler med trykluft eller med en blød og tør klud.
- Rens overfladerne på batteriet og batteriopladeren med en blød og tør klud.

Til rengøring af området omkring håndtagets højdejusteringsbøjle

- Brug en børste til at fjerne blade, græs og snavs. (Fig. 32)

Sådan efterses skæreudstyret



ADVARSEL: For at undgå utilsigtet start, skal du dreje sikkerhedsnøglen til 0, fjerne batteriet og vente i mindst 5 sekunder.



ADVARSEL: Brug handsker, når du udfører vedligeholdelse på skæreudstyret. Klingens er meget skarp, og du kan nemt komme til at skære dig.

1. Efterse skæreudstyret for skader eller revner. Udskift altid skæreudstyret, hvis det er beskadiget.
2. Kig på klingens for at se, om den er beskadiget eller sløvt.

Bemærk: Kniven skal afbalanceres, efter den er blevet slebet. Lad et servicecenter skærpe, udskift og afbalancere klingens. Hvis du rammer en forhindring, der får produktet til at standse, udskiftes den beskadigede klinge. Lad servicecenteret vurdere, om klingens kan files, eller om den skal udskiftes.

Sådan udskiftes bladet

Se Tekniske data på side 68 for den korrekte type blad.



ADVARSEL: Lås kniven med en træklods for at forhindre skader på fingrene, når du udskifter kniven. Kniven kan bevæge sig, når motoren er slukket, og fingrene kan komme i klemme mellem kniven og de stationære dele.

1. Lås kniven med en træklods. (Fig. 33)
2. Fjern klingebolten, fjederskiven og klingens. (Fig. 34)
3. Efterse knivophæng og knivbolt for at se, om der er skader.
4. Efterse motorakslens for at sikre, at den ikke er bøjet.
5. Når du sætter den nye kniv på, skal knivens spidser pege i retning af klippebordets. (Fig. 35)
6. Sørg for, at klingens flugter med motorakslens centrum.
7. Lås kniven med en træklods. Monter fjederskiven, og spænd boltens og skivens med et tilspændingsmoment på 23–28 Nm. (Fig. 36) (Fig. 34)
8. Træk kniven rundt pr. håndkraft, og kontrollér, at den drejer frit.



ADVARSEL: Brug sikkerhedshandsker. Kniven er meget

skarp, og du kan nemt komme til at skære dig.

- Start produktet for at afprøve kniven. Hvis kniven ikke er korrekt fastgjort, forekommer der vibrationer i produktet, eller klipperesultatet bliver utilfredsstillende.

Fejlfinding

Batteri

LED på batteriet	Årsag	Løsning
Den grønne LED blinker.	Batterispændingen er lav.	Oplad batteri. Se Sådan oplades batteriet på side 63.
Fejl-LED'en blinker.	Batteriet er svagt.	Oplad batteri. Se Sådan oplades batteriet på side 63.
	Temperaturen i arbejdsmiljøet er for høj eller for lav.	Brug batteriet i temperaturer mellem 5 °C og 40 °C.
	Overspænding.	Sørg for, at netspændingen er den samme som på typeskiltet på produktet. Fjern batteriet fra batteriopladeren. Vent 5 sekunder, og prøv igen for at oplade batteriet. Hvis problemet fortsætter, skal du kontakte et autoriseret serviceværksted.
Fejl-LED'en er tændt.	Celleforskellen er for stor (1 V).	Kontakt et godkendt serviceværksted.

Batterioplader

LED på batteriopladeren.	Årsag	Løsning
Fejl-LED'en blinker.	Temperaturen i arbejdsmiljøet er for høj eller for lav.	Brug batteriopladeren i temperaturer mellem 5 °C og 40 °C.
Fejl-LED'en er tændt.		Kontakt et godkendt serviceværksted.

Plæneklipper

Advarselsindikatoren (fejl-LED) findes under batterilåget.

Problem	Fejl-LED (antal blink)	Årsag	Løsning
Fejl-LED blinker. Produktet fungerer ikke korrekt.	5	Klingen er blokeret.	Drej sikkerhedsnøglen til 0 for at forhindre utilsigtet start. Tag batteriet ud, og vent mindst 5 sekunder. Fjern eventuelle forhindringer, og sørg for, at klingen kan rotere frit. Hvis problemet fortsætter, skal du kontakte et autoriseret serviceværksted.
		Motoromdrejningstallet falder for meget, og motoren standser.	Øg klippehøjden. Se Sådan indstilles klippehøjden på side 62.
	10	Kontrolenheden til motoren er for varm.	Stand motoren, og vent, indtil den er blevet kold.
Fejl-LED blinker. Produktet standser.	0	Fejl ved batteristik.	Efterse batteristikket.
	3	Der er overbelastning i motoren.	Øg klippehøjden. Se Sådan indstilles klippehøjden på side 62.
	8	Batteriet er svagt.	Oplad batteriet. Se Sådan oplades batteriet på side 63.
	9	Batterifejl eller intet signal fra batteri.	Isæt batteriet korrekt i produktet, og efterse batteristikket. Hvis fejl-LED'en på batteriet blinker. Se Batteristatus på side 63.
	12	Forkert startprocedure. Motorbremsehåndtaget er blevet aktiveret, før motoren starter.	Slip motorbremsehåndtaget, og vent ca. 5 sekunder. Tryk motorbremsehåndtaget ned igen for at starte produktet.
Andre fejl.	Hvis der opstår andre fejl, skal du dreje tændingsnøglen til 0, afmontere batteriet og kontakte et godkendt serviceværksted.		

Transport, opbevaring og bortskaffelse

Indledning



ADVARSEL: For at undgå utilsigtet start under transport og opbevaring, skal du dreje sikkerhedsnøglen til 0, fjerne batteriet og vente i mindst 5 sekunder.

Sådan sættes produktet i transportposition

1. Tryk på højdejusteringsbøjlen med foden. (Fig. 37)
2. Træk håndtaget op, og træk højdejusteringsbøjlen ud af rillen.
3. Fold håndtaget fremad, indtil det har nået endepositionen. (Fig. 38)

4. Fold højdejusteringsbøjlen mod klippebordet. (Fig. 39)
5. Udløs reguleringshåndgrebene. (Fig. 40)
6. Fold det øverste håndtag tilbage. (Fig. 41)

Transport

- Lovkravene om farligt gods gælder for de indeholdte li-ion-batterier.
- Ved kommerciel transport skal særlige krav vedrørende emballering og mærkning overholdes.
- Sørg for at overholde bestemmelserne for farligt materiale, når du klargør produktet til transport. Lokale bestemmelser kan være gældende.
- Fjern altid batteriet ved transport.
- Sæt tape på batteristikkene, og sørg for, at batteriet ikke kan rykke sig under transporten.
- Fastspænd produktet under transport.

Opbevaring

- Lad produktet køle af før opbevaring.
- Fjern altid batteriet ved opbevaring.
- For at forhindre ulykker, skal du sørge for, at batteriet ikke er tilsluttet produktet under opbevaring.
- Opbevar batteriopladeren et lukket og tørt sted.
- Opbevar batteriet og batteriopladeren et tørt sted, hvor der ikke er fugt eller frost.
- Afbryd forbindelsen mellem batteriet og batteriopladeren under opbevaring.
- Batteriet må ikke opbevares, hvor der kan forekomme statisk elektricitet. Opbevar ikke batteriet i en metalkasse.
- Opbevar produktet på et sted, hvor omgivelsestemperaturen er mellem -10 °C og 40 °C.
- Opbevar batteriet ved omgivelsestemperaturer mellem 5 °C og 25 °C og væk fra sollys.
- Opbevar batteriopladerne ved omgivelsestemperaturer mellem 5 °C og 45°C og væk fra sollys.
- Sørg for, at batteriet er ladet op til 30 % - 50 %, før du sætter det til opbevaring i længere tid.
- Opbevar produktet, batteriet og batteriopladeren et låst sted, der er utilgængeligt for børn og ikke-godkendte personer.

- Rengør produktet, og sørg for, at græsopsamleren er tom.
- Foretag den form for vedligeholdelse, der er beskrevet i denne brugervejledning. Se Vedligeholdelsesskema på side 64.
- Udfør fuld service, før du sætter produktet til opbevaring i længere tid.

Bortskaffelse

Symbolerne på produktet eller emballagen angiver, at produktet ikke må behandles som almindeligt husholdningsaffald. Det skal afleveres til en passende genbrugsstation med henblik på genvinding af elektrisk og elektronisk udstyr.

Hvis du sørger for, at dette produkt håndteres korrekt, kan du være med til at modvirke potentielle negative indvirkninger på mennesker og miljø, som ellers kan være et resultat af fejlagtig affaldshåndtering i forbindelse med dette produkt. Nærmere oplysninger om genanvendelse af dette produkt fås hos kommunen, det lokale renovationselskab eller forretningen, hvor produktet er købt.

(Fig. 42)

Tekniske data

	LB 144i
Klippemotor	
Motortype	BLDC (børsteløs) 36 V
Motoromdrejningstal - SavE, o/min.	2600/min.
Motoromdrejningstal – nominelt, o/min.	3200/min.
Motoromdrejningstal – høj belastning, o/min.	3500/min.
Motoreffekt - maks. kW	0,9
Motoreffekt – nominel, kW	0,75
Køremotor	
Motoreffekt – nominel, kW	N/A
Selvkørende hastighed, km/t	N/A
Justering af hastighedsniveauer	N/A
Vægt	
Vægt (ekskl. batteri), kg	15,5
Vægt (inkl. 1x BLi30), kg	17,5
Batteri	

	LB 144i
Batteritype	Husqvarna Batteriserie
Batteriets driftstid	
Batteriets driftstid, min, (friløb) med SavE aktiveret, med et 7,5 Ah Husqvarna-batteri (BLi30).	170
Batteriets driftstid, min, (friløb) med standardtilstand aktiveret, med et 7,5 Ah Husqvarna-batteri (BLi30).	135
Støjemissioner ¹⁰	
Lydeffektniveau, målt dB(A)	90
Lydeffektniveau, garanteret L _{WA} dB (A)	92
Lydniveauer ¹¹	
Lydtryksniveau ved brugerens øre, dB(A)	77
Vibrationsniveauer ¹²	
Styr, m/s ²	0,7
Klippeudstyr	
Klippehøjde, mm	25-75
Klippebredde, cm	44
Knivstandard	Bioklip 5298073-10
Knivtilbehør	N/A

Godkendte batterier	Type	Batterikapacitet, Ah	Spænding, V	Vægt, lb/kg
40-B140	Lithiumion	4,0	36	2,6/1,2
BLi30	Lithiumion	7,5	36	4,2/1,9

Godkendte opladere til de angivne batterier, BLi	Indgangsspænding, V	Frekvens, Hz	Effekt, watt
40-C80	100-240	50-60	68,8
QC250	220-240	50	250

¹⁰ Støjemissioner til omgivelserne målt som lydeffekt (L_{WA}) i henhold til EF-direktiv 2000/14/EF.

¹¹ Rapporterede data for lydtryksniveau har en usikkerhedsfaktor (K) på 1,5 dB(A).

¹² Rapporterede data for vibrationsniveau har en usikkerhedsfaktor (K) på 1,5 m/s². Den angivne samlede vibrationsværdi er målt i henhold til standard EN 62841-4-3, bilag I, og kan anvendes til at sammenligne en maskine med en anden og i en indledende vurdering af udsættelse for vibrationer.

Overensstemmelseserklæring

EU-overensstemmelseserklæring

Vi, **Husqvarna AB**, SE - 561 82 Huskvarna, Sverige,
tlf.: +46-36-146500 erklærer under eneansvar, at det
pågældende produkt:

Beskrivelse	Plæneklipper
Varemærke	Husqvarna
Type / model	LB 144i
Identifikation	Serienumrene fra 2022 og fremefter

overholder følgende EU-direktiver og bestemmelser:

Regulativ	Beskrivelse
2006/42/EF	"vedrørende maskiner"
2014/30/EU	"vedrørende elektromagnetisk kompatibilitet"
2000/14/EF	"vedrørende støjemissioner til omgivelserne"
2011/65/EU	"om begrænsning af anvendelsen af visse farlige stoffer i elektrisk og elektronisk udstyr"

og at følgende standarder og/eller tekniske
specifikationer anvendes: EN 62841-1:2015/AC:2015,
EN IEC 62841-4-3:2021/A11:2021, EN ISO 12100:2010,
EN 55014-1:2021, EN 55014-2:2021, EN IEC
61000-6-2:2019, EN IEC 61000-6-3:2021, EN IEC
63000:2018

Bemyndiget organ: 0404, RISE SMP Svensk
Maskinprovning AB, Box 4053, SE-904 03
Umeå, Sweden har bekræftet, at bestemmelserne
i Rådets direktiv 2000/14/EF, procedure for
overensstemmelsesvurdering: Bilag VI.

Vedr. oplysninger om støjemission, se Tekniske data på
side 68.

Huskvarna, 2022-12-05



Claes Losdal, udviklingschef/haveprodukter, Husqvarna
AB

Ansvarlig for teknisk dokumentation



Inhalt

Einleitung.....	71	Fehlerbehebung.....	82
Sicherheit.....	72	Transport, Lagerung und Entsorgung.....	84
Montage.....	78	Technische Daten.....	85
Betrieb.....	78	Konformitätserklärung.....	87
Wartung.....	80		

Einleitung

Gerätebeschreibung

Das Gerät ist ein handgeführter Rasenmäher, der BioClip nutzt, um das Gras in Dünger zu schneiden.

Geräteübersicht

(Abb. 1)

1. Griff/Lenker
2. Motorbremsgriff
3. Startsperr
4. Hebegriffe
5. Mähdeck
6. Schnitthöhenhebel
7. Sicherheitsschlüssel
8. Akkudeckel
9. Höheneinstellungsbügel für den Lenker
10. SavE-Taste (Energiespartaste)
11. Warnanzeige (Fehler-LED)
12. Bedienungsanleitung
13. Ladegerät (Zubehör)
14. Akku (Zubehör)

Symbole auf dem Gerät

(Abb. 2) WARNUNG

(Abb. 3) Lesen Sie die Anweisungen.

(Abb. 4) WARNUNG: Achten Sie auf hochgeschleuderte Gegenstände.

(Abb. 5) Zuschauer sollten einen Sicherheitsabstand einhalten.

(Abb. 6) WARNUNG: Halten Sie Hände und Füße von den Klängen fern.

(Abb. 7) WARNUNG: Trennen Sie vor der Wartung den Akku.

(Abb. 8) Das Gerät und die Verpackung des Geräts dürfen nicht über den Hausmüll entsorgt werden. Recyceln Sie es an

Verwendungszweck

Verwenden Sie das Gerät zum Schneiden von Gras.
Verwenden Sie das Gerät nicht für andere Aufgaben.

einer Recyclingstation für elektrische und elektronische Geräte.

(Abb. 9) Etikett mit Geräuschemissionen gemäß EU- und UK-Richtlinien und Verordnungen sowie der australischen „Protection of the Environment Operations (Noise Control) Regulation 2017“ (Umweltschutz-/Lärmschutzbestimmung) von New South Wales. Der garantierte Schalleistungspegel des Geräts ist unter Technische Daten auf Seite 85 und auf dem Etikett angegeben.

(Abb. 10) Dieses Anbaugerät stimmt mit den geltenden CE-Richtlinien überein.

(Abb. 11) Dieses Gerät entspricht den geltenden UK-Richtlinien.

(Abb. 12) Das Gerät ist tropfgeschützt.

(Abb. 13) Lassen Sie den Motorbremsgriff los, um den Motor zu stoppen.

(Abb. 14) Scanbarer Code.

Hinweis: Sonstige Symbole/Aufkleber auf dem Gerät beziehen sich auf Zertifizierungsanforderungen, die in einigen Märkten gelten.

Produkthaftung

Im Sinne der Produkthaftungsgesetze übernehmen wir keine Haftung für Schäden, die unser Gerät verursacht, wenn...

- das Gerät nicht ordnungsgemäß repariert wird.
- das Gerät mit Teilen repariert wird, die nicht vom Hersteller stammen oder nicht vom Hersteller zugelassen sind.

- ein Zubehöriteil mit dem Gerät verwendet wird, das nicht vom Hersteller stammt oder nicht vom Hersteller zugelassen ist.

- das Gerät nicht bei einem zugelassenen Service Center oder von einem zugelassenen Fachmann repariert wird.

Sicherheit

Sicherheitsdefinitionen

Warnungen, Vorsichtsmaßnahmen und Hinweise werden verwendet, um auf besonders wichtige Teile der Bedienungsanleitung hinzuweisen.



WARNUNG: Wird verwendet, wenn bei Nichtbeachtung der Anweisungen in diesem Handbuch die Gefahr von Verletzung oder Tod des Bedieners oder anderer Personen besteht.



ACHTUNG: Wird verwendet, wenn bei Nichtbeachtung der Anweisungen in diesem Handbuch die Gefahr von Schäden am Gerät, an anderen Materialien oder in der Umgebung besteht.

Hinweis: Für weitere Informationen, die in bestimmten Situationen nötig sind.

Allgemeine Sicherheitshinweise zum Gerät



WARNUNG: Beachten Sie alle für das Gerät vorgesehenen Sicherheitshinweise, Anleitungen, Abbildungen und technischen Daten. Wenn Sie die unten stehenden Anweisungen nicht befolgen, kann dies zu elektrischen Schlägen, Brand und/oder schweren Verletzungen führen.

Bewahren Sie alle Warnhinweise und Anweisungen für spätere Referenzzwecke auf. Die Bezeichnung „Gerät“ in den Warnhinweisen bezieht sich auf ein Gerät mit Netzbetrieb (über ein Kabel) oder Akkubetrieb (kabellos).

Sicherheit im Arbeitsbereich

- Sorgen Sie für einen sauberen und gut ausgeleuchteten Arbeitsbereich. Durch zugestellte oder dunkle Arbeitsbereiche steigt die Unfallgefahr stark an.
- Betreiben Sie das Gerät niemals an Orten, an denen Explosionsgefahr besteht, z. B. in der Nähe von leicht entzündlichen Flüssigkeiten, Gasen oder Staubansammlungen. Bei der Arbeit mit dem Gerät kann es zu Funkenbildung kommen, wodurch sich Stäube oder Dämpfe entzünden können.
- Sorgen Sie bei der Arbeit mit dem Gerät dafür, dass sich keine Kinder oder unbefugte Personen in der

Nähe befinden. Durch Ablenkungen können Sie die Kontrolle über das Werkzeug verlieren.

Elektrische Sicherheit

- Die Netzstecker des Geräts müssen zur Steckdose passen. Der Netzstecker darf in keiner Weise verändert werden. Verwenden Sie bei Geräten mit Schutzkontakt (geerdet) niemals Adapterstecker. Nicht modifizierte Stecker und Steckdosen reduzieren das Risiko eines Elektroschocks.
- Vermeiden Sie Körperkontakt mit geerdeten Gegenständen wie Rohrleitungen, Heizungen, Herden oder Kühlschränken. Bei Körperkontakt mit geerdeten Gegenständen besteht ein erhöhtes Stromschlagrisiko.
- Setzen Sie das Gerät weder Regen noch Feuchtigkeit aus. Wenn Wasser in das Gerät eindringt, erhöht sich das Stromschlagrisiko.
- Verwenden Sie das Anschlusskabel nicht missbräuchlich. Verwenden Sie das Anschlusskabel niemals zum Tragen oder Heranziehen des Geräts, und ziehen Sie den Stecker nicht am Anschlusskabel aus der Steckdose. Halten Sie das Kabel fern von Hitzequellen, Öl, scharfen Kanten und beweglichen Teilen. Beschädigte oder verdrehte Anschlusskabel erhöhen das Stromschlagrisiko.
- Wenn Sie das Gerät im Freien benutzen, verwenden Sie ein für den Außeneinsatz geeignetes Verlängerungskabel. Die Verwendung eines für den Außeneinsatz geeigneten Kabels verringert das Risiko eines elektrischen Schlags.
- Falls der Einsatz des Geräts in einer feuchten Umgebung nicht zu vermeiden ist, benutzen Sie eine Stromversorgung mit FI-Schutzschalter (RCD). Die Verwendung eines FI-Schutzschalters verringert das Risiko eines Stromschlags.

Persönliche Sicherheit

- Bleiben Sie aufmerksam, achten Sie auf das, was Sie tun, und setzen Sie Ihren gesunden Menschenverstand ein, wenn Sie mit dem Gerät arbeiten. Verwenden Sie das Gerät nicht, wenn Sie müde sind oder unter dem Einfluss von Drogen, Alkohol oder Medikamenten stehen. Bei der Arbeit mit dem Gerät können bereits kurze Phasen der Unaufmerksamkeit zu schweren Verletzungen führen.
- Tragen Sie eine persönliche Schutzausrüstung. Tragen Sie stets einen Augenschutz. Schutzausrüstung wie Atemschutzmaske, rutschsichere Sicherheitsschuhe, Schutzhelm und Gehörschutz senkt bei angemessenem Einsatz das Verletzungsrisiko.

- **Vermeiden Sie ein versehentliches Starten.** Achten Sie darauf, dass sich der Schalter in der AUS-Stellung befindet, bevor Sie das Gerät an die Stromversorgung und/oder den Akku anschließen oder es hochheben oder herumtragen. Durch Herumtragen des Geräts mit dem Finger am Schalter bzw. das Einstecken des Steckers bei betätigtem Schalter erhöht sich das Unfallrisiko.
- **Entfernen Sie sämtliche Einstellschlüssel, bevor Sie das Gerät einschalten.** Ein an einem beweglichen Teil des Geräts angebrachter Schlüssel kann zu Verletzungen führen.
- **Arbeiten Sie nicht über die normale Reichweite hinaus.** Achten Sie jederzeit darauf, sicher zu stehen und das Gleichgewicht zu bewahren. Dadurch haben Sie das Gerät in unerwarteten Situationen besser im Griff.
- **Kleiden Sie sich richtig.** Tragen Sie niemals lose sitzende Kleidung oder Schmuck. Halten Sie Haar und Kleidung von beweglichen Teilen fern. Lose sitzende Kleidung, Schmuck oder langes Haar kann von beweglichen Teilen erfasst werden.
- **Wenn Anschlüsse für Staubabsaug- und Staubsammelvorrichtungen vorhanden sind, sorgen Sie dafür, dass diese richtig angeschlossen und eingesetzt werden.** Die Verwendung von Staubsammelvorrichtungen kann staubbedingte Gefahren verringern.
- **Auch wenn Sie durch häufige Verwendung bestens mit dem Gerät vertraut sind, dürfen Sie keinesfalls nachlässig werden und die Sicherheitsgrundsätze ignorieren.** Eine achtlose Handlung kann im Bruchteil einer Sekunde zu schweren Verletzungen führen.

Produktverwendung und -pflege

- **Wenden Sie keine Gewalt an.** Beschränken Sie sich für Ihren Einsatz auf das korrekte Gerät. Das korrekte Gerät wird die Aufgabe besser und sicherer und mit der Leistung ausführen, für die es ausgelegt ist.
- **Benutzen Sie das Gerät nicht, wenn es sich nicht am Schalter ein- und ausschalten lässt.** Jedes Gerät, das nicht mit dem Schalter betätigt werden kann, stellt eine Gefahr dar und muss repariert werden.
- **Trennen Sie das Gerät von der Stromversorgung bzw. entfernen Sie den Akku, bevor Sie Einstellungen vornehmen, Zubehörteile austauschen oder das Gerät verstauen.** Mit diesen Präventivmaßnahmen reduzieren Sie das Risiko eines versehentlichen unkontrollierten Starts des Gerätes.
- **Lagern Sie nicht benutzte Geräte außerhalb der Reichweite von Kindern, und lassen Sie nicht zu, dass Personen das Gerät bedienen, die nicht mit dem Gerät selbst und/oder diesen Anweisungen vertraut sind.** Die Geräte stellen in ungeschulten Händen eine Gefahr dar.
- **Pflegen Sie das Gerät und das Zubehör.** Prüfen Sie, ob bewegliche Teile falsch eingestellt sind oder

klemmen und ob Teile gebrochen oder so weit beschädigt sind, dass der sichere Betrieb des Geräts beeinträchtigt werden kann. Bei Beschädigungen lassen Sie das Gerät reparieren, bevor Sie es benutzen. Viele Unfälle sind auf schlechte Geräterwartung zurückzuführen.

- **Halten Sie Schneidwerkzeuge scharf und sauber.** Ordnungsgemäß gewartete Schneidwerkzeuge mit scharfen Schneidkanten bleiben seltener hängen und sind einfacher zu bedienen.
- **Benutzen Sie das Gerät, Zubehör, Werkzeugspitzen und Ähnliches in Übereinstimmung mit diesen Anweisungen und auf die für das jeweilige Elektrowerkzeug bestimmungsgemäße Weise und beachten Sie dabei die jeweiligen Arbeitsbedingungen und die Art der auszuführenden Arbeiten.** Der Einsatz des Geräts für bestimmungswidrige Zwecke kann zu Gefahrensituationen führen.
- **Halten Sie die Handgriffe und Griffflächen trocken, sauber und frei von Öl und Fett.** Wenn Handgriffe und Griffflächen rutschig sind, kann das Gerät in unerwarteten Situationen nicht sicher bedient und kontrolliert werden.

Verwendung und Pflege von akkubetriebenen Werkzeugen

- **Eine Aufladung darf nur mit dem vom Hersteller vorgeschriebenen Ladegerät durchgeführt werden.** Durch ein für einen bestimmten Akkotyp geeignetes Ladegerät kann Brandgefahr entstehen, wenn es für einen anderen Akku verwendet wird.
- **Verwenden Sie Geräte nur mit speziell für sie ausgezeichneten Akkus.** Die Verwendung anderer Akkus kann zu Verletzungs- und Brandgefahr führen.
- **Wird der Akku nicht verwendet, halten Sie ihn von Metallgegenständen wie Büroklammern, Münzen, Schlüsseln, Nägeln, Schrauben oder anderen kleineren Metallobjekten fern, da es zu einer Überbrückung der Kontakte kommen könnte.** Durch Kurzschluss der Akkuklemmen kann es zu Verbrennungen oder Bränden kommen.
- **Unter missbräuchlichen Bedingungen kann Flüssigkeit aus dem Akku austreten; vermeiden Sie Kontakt damit.** Bei versehentlichem Hautkontakt sofort mit Wasser abspülen. Sollten Ihre Augen damit in Berührung gekommen sein, suchen Sie sofort ärztliche Hilfe auf. Durch austretende Flüssigkeit aus dem Akku kann es zu Reizungen oder Verbrennungen kommen.
- **Verwenden Sie keinen Akku und kein Werkzeug, der bzw. das defekt ist oder modifiziert wurde.** Beschädigte oder modifizierte Akkus können ein unvorhersehbares Verhalten aufweisen, welches zu Feuer, Explosionen oder Verletzungsgefahren führen kann.
- **Setzen Sie Akku oder Werkzeug niemals Feuer oder sehr hohen Temperatur aus.** Feuer oder

Temperaturen über 130 °C/265 F können zu einer Explosion führen.

- **Befolgen Sie die Ladeanweisungen und laden Sie den Akku oder das Werkzeug niemals bei Temperaturen außerhalb den in der Anleitung angegebenen Temperaturbereichen auf.** Unsachgemäßes Aufladen oder Aufladen bei Temperaturen außerhalb des angegebenen Bereichs kann den Akku beschädigen und die Brandgefahr erhöhen.

Service

- **Lassen Sie Ihr Gerät von einem qualifizierten Fachmann reparieren, und bestehen Sie darauf, dass nur Originalersatzteile verwendet werden.** Auf diese Weise wird die Sicherheit des Geräts nicht beeinträchtigt.
- **Warten Sie niemals beschädigte Akkus.** Akkus dürfen nur vom Hersteller oder von autorisierten Serviceanbietern gewartet werden.

Sicherheitshinweise für Rasenmäher

- **Verwenden Sie den Rasenmäher nicht bei schlechten Wetterverhältnissen, insbesondere dann, wenn das Risiko eines Blitzschlags besteht.** Dadurch wird die Gefahr eines Blitzschlags reduziert.
- **Untersuchen Sie den Bereich, in dem der Rasenmäher eingesetzt werden soll, sorgfältig auf Tiere.** Tiere können im Betrieb durch den Rasenmäher verletzt werden.
- **Inspizieren Sie sorgfältig das Gelände, in dem der Rasenmäher eingesetzt werden soll, und entfernen Sie alle losen Gegenstände wie Steine, Stöcke, Kabel, Knochen und sonstige Fremdoobjekte.** Aufgeschleuderte Gegenstände können schwere Verletzungen verursachen.
- **Bevor Sie den Rasenmäher verwenden, stellen Sie sicher, dass Klinge und Klingeneinheit nicht abgenutzt oder beschädigt sind.** Abgenutzte oder beschädigte Teile erhöhen das Verletzungsrisiko.
- **Überprüfen Sie den Grasfänger regelmäßig auf Verschleiß und abnehmende Leistung.** Ein abgenutzter oder beschädigter Grasfänger kann das Risiko von Verletzungen erhöhen.
- **Nehmen Sie keine Veränderungen an den Schutzvorrichtungen vor.** Die Schutzvorrichtungen müssen funktionstüchtig und ordnungsgemäß angebracht sein. Eine lose, beschädigte oder nicht ordnungsgemäß funktionierende Schutzvorrichtung kann zu Verletzungen führen.
- **Halten Sie alle Kühllufteinlässe frei von Verunreinigungen.** Verstopfte Luftpfeile und Verunreinigungen können zu Überhitzung oder Brandgefahr führen.
- **Tragen Sie beim Betrieb des Rasenmähers stets rutschfeste Sicherheitsschuhe.** Bedienen Sie den Rasenmäher nicht barfuß oder mit offenen Sandalen. Dadurch wird die Gefahr von

Verletzungen an den Füßen durch Kontakt mit der rotierenden Klinge verringert.

- **Tragen Sie beim Betrieb des Rasenmähers stets eine lange Hose.** Freiliegende Haut erhöht die Wahrscheinlichkeit von Verletzungen durch aufgeschleuderte Gegenstände.
- **Verwenden Sie den Rasenmäher nicht in feuchtem Gras.** Gehen Sie, auf keinen Fall dürfen Sie laufen. So reduzieren Sie die Verletzungsgefahr durch Wegrutschen und Stürze.
- **Betreiben Sie den Rasenmäher nicht an übermäßig steilen Hängen.** So reduzieren Sie die Verletzungsgefahr durch Kontrollverlust, Wegrutschen oder Stürze.
- **Achten Sie bei Arbeiten an Hängen immer auf festen Stand, arbeiten Sie immer quer statt längs zum Hang, und gehen Sie beim Richtungswechsel mit äußerster Vorsicht vor.** So reduzieren Sie die Verletzungsgefahr durch Kontrollverlust, Wegrutschen oder Stürze.
- **Lassen Sie besondere Vorsicht walten, wenn Sie den Rasenmäher rückwärts bewegen oder zum Körper ziehen.** Achten Sie stets auf Ihre Umgebung. So reduzieren Sie die Stolpergefahr im Betrieb.
- **Berühren Sie keine Klingen und andere gefährliche bewegliche Teile, während diese sich noch bewegen.** So reduzieren Sie die Verletzungsgefahr durch bewegliche Teile.
- **Stellen Sie beim Beseitigen von eingeklemmtem Material oder beim Reinigen des Rasenmähers sicher, dass alle Schalter ausgeschaltet sind und das Netzkabel getrennt ist.** Ein unerwarteter Start des Rasenmähers kann zu schweren Verletzungen führen.

Fehlerstromschutzschalter

- Verwenden Sie einen Fehlerstromschutzschalter mit einem Auslösestrom von maximal 30 mA.

Allgemeine Sicherheitshinweise



WARNING: Lesen Sie die folgenden Warnhinweise, bevor Sie das Gerät benutzen.

- Dieses Gerät ist gefährlich, wenn es falsch bedient wird oder Sie unvorsichtig sind. Wenn die Sicherheitshinweise nicht befolgt werden, kann dies zu Verletzungen oder zum Tod führen.
- Dieses Gerät erzeugt beim Betrieb ein elektromagnetisches Feld. Dieses Feld kann sich unter bestimmten Bedingungen auf die Funktionsweise aktiver oder passiver medizinischer Implantate auswirken. Um die Gefahr von Situationen, die zu schweren oder tödlichen Verletzungen führen können, zu reduzieren, sollten Personen mit einem medizinischen Implantat vor der Nutzung dieses Geräts ihren Arzt und den Hersteller des Implantats konsultieren.

- Lassen Sie immer Vorsicht walten, und arbeiten Sie mit gesundem Menschenverstand. Wenn Sie sich nicht sicher sind, wie das Gerät in einer bestimmten Situation zu bedienen ist, unterbrechen Sie die Arbeit und wenden sich an Ihren Husqvarna-Händler, bevor Sie fortfahren.
- Denken Sie daran, dass der Bediener für Unfälle mit anderen Personen oder deren Eigentum verantwortlich ist.
- Halten Sie das Gerät sauber. Stellen Sie sicher, dass Symbole und Aufkleber deutlich lesbar sind.
- Verhindern Sie, dass Kinder oder Personen, die mit den Anweisungen nicht vertraut sind, das Gerät benutzen. Unter Umständen gelten gesetzliche vorgeschriebene Altersbeschränkungen für den Bediener.
- Stellen Sie sicher, dass Personen mit verminderter physischer oder psychischer Leistungsfähigkeit dieses Gerät nicht unbeobachtet verwenden. Es muss immer ein verantwortlicher Erwachsener anwesend sein.
- Verwenden Sie das Gerät nicht, wenn Sie müde oder krank sind oder unter Einfluss von Alkohol, Drogen oder Medikamenten stehen. Dies wirkt sich negativ auf Ihre Sehkraft, Ihre Aufmerksamkeit sowie Ihr Koordinations- und Urteilsvermögen aus.
- Verwenden Sie das Gerät nicht, wenn es defekt ist.
- Verändern oder verwenden Sie dieses Gerät nicht, wenn die Möglichkeit besteht, dass andere es verändert haben.
- Wenn die Klinge auf ein Objektiv trifft oder Vibrationen auftreten, müssen Sie das Gerät sofort abstellen. Stoppen Sie den Motor, drehen Sie den Sicherheitsschlüssel auf 0 und nehmen Sie den Akku heraus. Warten Sie, bis die beweglichen Teile stillstehen. Das Gerät auf Beschädigungen untersuchen. Befestigen Sie alle lockeren Teile. Reparieren bzw. ersetzen Sie alle beschädigten Teile. Lassen Sie die Reparatur von einer zugelassenen Servicewerkstatt durchführen.
- Befestigen Sie den Motorbremsbügel niemals fest am Griff, wenn der Motor läuft.
- Stellen Sie das Gerät auf eine stabile, flache Oberfläche und starten Sie es. Stellen Sie sicher, dass die Klinge nicht den Boden oder ein anderes Objekt berührt.
- Bleiben Sie immer hinter dem Gerät, wenn Sie es betreiben.
- Lassen Sie alle Räder auf dem Boden bleiben, und halten Sie den Griff mit beiden Händen, wenn Sie das Gerät betreiben. Halten Sie Hände und Füße von den rotierenden Klingen fern.
- Kippen Sie das Gerät nicht, wenn Sie den Motor starten oder das Gerät betreiben.
- Seien Sie vorsichtig, wenn Sie das Gerät nach hinten ziehen.
- Heben Sie das Gerät nicht hoch, wenn der Motor läuft. Wenn Sie das Produkt anheben müssen, stoppen Sie zuerst den Motor, drehen Sie den Sicherheitsschlüssel auf 0 und nehmen Sie den Akku heraus.
- Gehen Sie nicht rückwärts, wenn Sie das Gerät betreiben.
- Stellen Sie den Motor ab, wenn das Gerät für den Transport gekippt oder auf grasfreien Flächen (z. B. Kies-, Pflaster- oder Asphaltwege) bewegt werden soll.
- Rennen Sie nicht mit dem Gerät, wenn der Motor läuft. Gehen Sie immer, wenn Sie das Gerät benutzen.
- Stellen Sie den Motor ab, bevor Sie die Schnitthöhe verändern. Verändern Sie die Einstellungen niemals, wenn der Motor läuft.
- Lassen Sie das Gerät niemals aus den Augen, wenn der Motor läuft. Stellen Sie den Motor ab und stellen Sie sicher, dass sich die Schneidausrüstung nicht dreht.
- Die Vibrationen des Geräts im Betrieb können von dem in Technische Daten auf Seite 85 angegebenen Vibrationswert abweichen. Diese Abweichung entsteht durch die verschiedenen Nutzungsweisen des Geräts. Wenn Sie das Gerät häufig oder über längere Zeit betreiben, legen Sie regelmäßig Pausen ein, um Verletzungen durch Vibrationen zu vermeiden.

Arbeitssicherheit



WARNUNG: Lesen Sie die folgenden Warnhinweise, bevor Sie das Gerät benutzen.

- Verwenden Sie dieses Gerät nur zum Mähen von Rasenflächen. Es ist nicht erlaubt, das Gerät für andere Aufgaben zu verwenden.
- Tragen Sie eine persönliche Schutzausrüstung. Siehe Persönliche Schutzausrüstung auf Seite 76.
- Stellen Sie sicher, dass Sie wissen, wie der Motor in einem Notfall schnell gestoppt werden kann.
- Verwenden Sie das Gerät nicht im Regen oder in feuchter Umgebung. Das Risiko eines elektrischen Schlags wird erhöht, wenn Wasser in das Gerät eindringt.
- Starten Sie das Gerät nicht, bevor die Klinge und alle Abdeckungen korrekt befestigt sind. Eine falsch befestigte Klinge kann sich lösen und Verletzungen verursachen.
- Stellen Sie sicher, dass die Klinge nicht auf Gegenstände wie Steine und Wurzeln trifft. Dies kann die Klinge beschädigen und die Motorwelle verbiegen. Eine verbogene Achse führt zu starken Vibrationen und birgt ein hohes Risiko, dass die Klinge sich löst.

Sicherheitshinweise für den Betrieb

Persönliche Schutzausrüstung



WARNUNG: Lesen Sie die folgenden Warnhinweise, bevor Sie das Gerät benutzen.

- Die persönliche Schutzausrüstung kann Verletzungen nicht vollständig vermeiden, vermindert aber den Umfang der Verletzungen und Schäden bei einem Unfall. Lassen Sie sich bei der Auswahl der richtigen Ausrüstung von Ihrem Händler beraten.
- Tragen Sie rutschfeste Sicherheitsstiefel oder -schuhe. Verwenden Sie keine offenen Schuhe, und gehen Sie nicht barfuß.
- Tragen Sie schwere, lange Hosen.
- Tragen Sie bei Bedarf Schutzhandschuhe, beispielsweise bei der Montage, der Untersuchung oder der Reinigung der Schneidausrüstung.
- Wir empfehlen die Verwendung eines Gehörschutzes.

Sicherheitsvorrichtungen am Gerät



WARNUNG: Lesen Sie die folgenden Warnhinweise, bevor Sie das Gerät benutzen.

- Benutzen Sie kein Gerät mit defekten Sicherheitsvorrichtungen.
- Sicherheitsvorrichtungen dürfen nicht entfernt oder verändert werden.
- Führen Sie regelmäßig eine Überprüfung der Sicherheitsvorrichtungen durch. Wenn die Sicherheitsvorrichtungen defekt sind, wenden Sie sich an Ihre Husqvarna-Servicewerkstatt.

So überprüfen Sie den Schneidschutz

Der Schneidschutz verringert Vibrationen im Gerät und das Verletzungsrisiko durch die Klinge.

- Untersuchen Sie die Schneidewerkabdeckung, um sicherzustellen, dass es keine Beschädigungen wie zum Beispiel Risse gibt.

So kontrollieren Sie den Sicherheitsschlüssel

Der Sicherheitsschlüssel befindet sich unter der Akkuabdeckung. Mit dem Sicherheitsschlüssel wird der Akku angeschlossen, der den Motor mit Strom versorgt.

- Starten und stoppen Sie den Motor, um den Sicherheitsschlüssel zu kontrollieren.
- Wenn der Sicherheitsschlüssel ordnungsgemäß funktioniert, kann der Motor nur starten, wenn der Sicherheitsschlüssel auf Position 1 steht. (Abb. 15)

Motorbremsgriff prüfen

Der Motorbremsgriff stoppt den Motor. Wenn der Motorbremsgriff losgelassen wird, stoppt der Motor.

- Starten Sie das Gerät. Siehe So starten Sie das Gerät auf Seite 79.
- Lassen Sie den Motorbremsgriff los. (Abb. 16)
- Vergewissern Sie sich, dass das Gerät zum Stehen gekommen ist. Wenn der Motor nicht innerhalb von 3 Sekunden stoppt, lassen Sie die Motorbremse von einer autorisierten Husqvarna-Servicewerkstatt einstellen.

Startsperre prüfen

Führen Sie eine Prüfung der Startsperre durch, um sicherzustellen, dass diese den Betrieb des Motors verhindert.

1. Drücken Sie den Motorbremsgriff in Richtung des Lenkers. Die Startsperre stoppt die Bewegung.
2. Drücken Sie die Startsperre heraus. (Abb. 17)
3. Lösen Sie die Startsperre, und stellen Sie sicher, dass sie sich zurück in die Ausgangsstellung bewegt.

Sicherer Umgang mit Akkus



WARNUNG: Lesen Sie die folgenden Warnhinweise, bevor Sie das Gerät benutzen.

- Verwenden Sie die wiederaufladbaren Akkus von Husqvarna nur als Stromversorgung für zugehörige Husqvarna Produkte. Um Verletzungen zu vermeiden, verwenden Sie den Akku nicht zur Energieversorgung anderer Geräte.
- Verwenden Sie ausschließlich wiederaufladbare Akkus.
- Es besteht die Gefahr von elektrischen Schlägen. Verbinden Sie die Akkuklemmen nicht mit Schlüsseln, Münzen, Schrauben oder anderen metallischen Gegenständen. Dadurch kann es zu einem Kurzschluss des Akkus kommen.
- Legen Sie keine Gegenstände in die Luftschlitze des Akkus.
- Halten Sie den Akku von direkter Sonneneinstrahlung, Hitze oder offenem Feuer fern. Der Akku kann explodieren und Verbrennungen und/oder chemische Verbrennungen verursachen.
- Halten Sie den Akku von Regen und Feuchtigkeit fern.
- Halten Sie den Akku von Mikrowellen und hohem Druck fern.
- Versuchen Sie nicht, den Akku zu zerlegen oder aufzubrechen.
- Wenn aus dem Akku Flüssigkeit austritt, vermeiden Sie Haut- oder Augenkontakt mit dieser. Sollten Sie dennoch mit der Flüssigkeit in Berührung gekommen

sein, reinigen Sie den Bereich mit ausreichend Wasser und suchen Sie medizinische Hilfe auf.

- Der Akku darf nur im Gerät verwendet werden, wenn die Umgebungstemperatur zwischen 5 und 40 °C liegt.
- Das Akkuladegerät darf nur verwendet werden, wenn die Umgebungstemperatur zwischen 5 und 40 °C liegt.
- Der Akku wird nicht aufgeladen, wenn die Akkutemperatur mehr als 50 °C beträgt.
- Reinigen Sie weder den Akku noch das Ladegerät mit Wasser. Siehe So reinigen Sie den Akku und das Ladegerät auf Seite 81.
- Verwenden Sie keine fehlerhaften oder beschädigten Akkus.
- Lagern Sie Akkus getrennt von Metallgegenständen wie Nägeln, Münzen und Schmuck.

Sicherer Umgang mit dem Ladegerät



WARNUNG: Lesen Sie die folgenden Warnhinweise, bevor Sie das Gerät benutzen.

- Verwenden Sie die QC Ladegeräte nur zum Laden von Husqvarna Akkus.
- Stromschlag- oder Kurzschlussgefahr. Legen Sie keine Gegenstände in die Luftschlitze des Ladegeräts. Das Ladegerät nicht zerlegen. Verbinden Sie die Anschlüsse des Ladegeräts nicht mit Metallgegenständen. Verwenden Sie eine geprüfte Netzsteckdose.
- Dieses Gerät erzeugt beim Betrieb ein elektromagnetisches Feld. Dieses Feld kann sich unter bestimmten Bedingungen auf die Funktionsweise aktiver oder passiver medizinischer Implantate auswirken. Um die Gefahr von Situationen, die zu schweren oder tödlichen Verletzungen führen können, auszuschließen, sollten Personen mit einem medizinischen Implantat vor der Nutzung dieses Geräts ihren Arzt und den Hersteller des Implantats konsultieren.
- Prüfen Sie regelmäßig, dass das Netzkabel des Akkuladegeräts nicht beschädigt ist und dass keine Risse vorhanden sind.
- Heben Sie das Ladegerät nicht am Netzkabel an. Um das Ladegerät von der Steckdose zu trennen, ziehen Sie am Netzstecker. Ziehen Sie nicht am Netzkabel.
- Achten Sie darauf, dass Netzkabel und Verlängerungskabel nicht mit Wasser, Öl oder scharfen Kanten in Berührung kommen. Achten Sie darauf, dass die Kabel nicht in Türen, Zäunen o. ä. eingeklemmt werden. Es besteht sonst die Gefahr, dass das Ladegerät unter Strom gestellt wird.
- Reinigen Sie das Ladegerät nicht mit Wasser.
- Das Akkuladegerät kann von Kindern ab 8 Jahren sowie von Personen mit eingeschränkten physischen, sensorischen oder psychischen

Fähigkeiten bzw. Personen ohne jegliche Erfahrung oder Kenntnisse verwendet werden, wenn sie beaufsichtigt werden oder ihnen die sichere Verwendung des Ladegeräts ausführlich erklärt wurde und sie sich der Gefahren bewusst sind. Kinder dürfen nicht mit dem Ladegerät spielen. Reinigung und Wartung durch den Benutzer dürfen nicht von Kindern ohne Aufsicht durchgeführt werden.

- Setzen Sie keine nicht wiederaufladbaren Akkus in das Ladegerät ein.
- Das Ladegerät darf nicht in der Nähe von entzündlichen Materialien oder Materialien, die Korrosion verursachen können, verwendet werden. Das Ladegerät darf nicht abgedeckt werden. Bei Rauchentwicklung oder Feuer muss der Stecker des Ladegeräts sofort aus der Steckdose gezogen werden.
- Verwenden Sie keine fehlerhaften oder beschädigten Ladegeräte.
- Laden Sie den Akku nur in geschlossenen Räumen an einem Ort mit guter Luftzirkulation und ohne direkte Sonneneinstrahlung. Auf keinen Fall Akkus in feuchter Umgebung laden.

Sicherheitshinweise für die Wartung



WARNUNG: Lesen Sie die folgenden Warnhinweise, bevor Sie das Gerät benutzen.

- Um ein unbeabsichtigtes Starten während der Wartung zu vermeiden, drehen Sie den Sicherheitsschlüssel auf 0 und nehmen Sie den Akku heraus. Warten Sie mindestens 5 Sekunden, bevor Sie mit der Wartung beginnen.
- Führen Sie die Wartung nur gemäß dieser Betriebsanleitung durch. Größere Eingriffe und professionelle Reparaturen sind von einer zugelassenen Servicewerkstatt auszuführen. Weitere Informationen erhalten Sie von Ihrer Servicewerkstatt.
- Führen Sie die Wartungsarbeiten zur Erhöhung der Lebensdauer des Geräts und Verringerung der Unfallgefahr ordnungsgemäß aus.
- Ersetzen Sie beschädigte, abgenutzte oder defekte Teile. Verwenden Sie nur die vom Hersteller angebotenen Originalersatzteile. Andere Ersatzteile können das Gerät beschädigen und die Unfallgefahr erhöhen.
- Um Verletzungen zu vermeiden, entfernen oder verändern Sie keine Sicherheitsvorrichtungen.
- Tragen Sie beim Umgang mit der Schneidusrüstung schwere Arbeitshandschuhe. Die Klinge ist sehr scharf, und man schneidet sich sehr leicht.
- Halten Sie die Schnittkanten sauber und scharf für die beste und sicherste Leistung.

- Ihre Servicewerkstatt sollte das Gerät regelmäßig überprüfen und notwendige Einstellungen und Reparaturen vornehmen.
- Befolgen Sie die Anweisungen für das Auswechseln von Zubehöerteilen. Verwenden Sie nur Zubehör vom Gerätehersteller.

- Wenn es nicht in Betrieb ist, bewahren Sie Gerät, Akku und Ladegerät getrennt an einem trockenen und abgeschlossenen Ort auf. Achten Sie darauf, dass Kinder und unbefugte Personen keinen Zugriff auf das Gerät, den Akku oder das Ladegerät haben.

Montage

Einleitung



WARNUNG: Lesen Sie das Kapitel über Sicherheit vor der Montage des Produkts.



WARNUNG: Um ein unbeabsichtigtes Starten bei der Montage zu verhindern, drehen Sie den Sicherheitsschlüssel auf 0, entfernen Sie den Akku und warten Sie mindestens 5 Sekunden.

So montieren Sie den Griff

1. Klappen Sie den oberen Griff nach vorne.

2. Ziehen Sie die Griffknöpfe fest. (Abb. 18)
3. Ziehen Sie den Griff nach hinten, bis er sich in der Endposition befindet.
4. Klappen Sie den Höheneinstellungsbügel nach unten, und setzen Sie ihn in die Nut ein. (Abb. 19)
5. Drücken Sie den Höheneinstellungsbügel mit dem Fuß nach unten. (Abb. 20)

So stellen Sie die Handgriffhöhe ein

1. Drücken Sie mit dem Fuß auf den Höheneinstellungsbügel.
2. Bringen Sie den Lenker in die richtige Position, und lassen Sie den Lenker los. (Abb. 21)

Betrieb

Einleitung



WARNUNG: Vor dem Betrieb des Gerätes müssen Sie die Sicherheitsinformationen lesen und verstehen.

Husqvarna Connect

Husqvarna Connect ist eine kostenlose App für Ihr Mobilgerät. Die Husqvarna Connect App bietet erweiterte Funktionen für Ihr Gerät:

- Erweiterte Produktinformationen
- Informationen über Produktteile und -wartung sowie entsprechende Hilfe dazu.

So verwenden Sie Husqvarna Connect

1. Laden Sie die Husqvarna Connect App auf Ihr Mobiltelefon.
2. Anmeldung bei der Husqvarna Connect App.
3. Befolgen Sie die Anweisungen in der Husqvarna Connect App, um sich zu verbinden und das Gerät zu registrieren.

So bringen Sie das Gerät in die Betriebsposition

1. Montieren Sie den Griff. Siehe So montieren Sie den Griff auf Seite 78.

2. Stellen Sie die Handgriffhöhe ein. Siehe So stellen Sie die Handgriffhöhe ein auf Seite 78.



ACHTUNG: Stellen Sie sicher, dass die Kabel nicht zu sehr unter Spannung stehen. Eine zu hohe Spannung kann zu Schäden am Kabel führen, wenn sich der Griff in der Transportposition befindet.



WARNUNG: Das Gerät darf nur in Betrieb genommen werden, wenn der Griff ganz hochgeklappt und in einer der vorgesehenen Höhenstufen arretiert ist. Siehe So stellen Sie die Handgriffhöhe ein auf Seite 78.

So stellen Sie die Schnitthöhe ein

Die Schnitthöhe lässt sich in 6 Stufen einstellen.

1. Stellen Sie den Motor ab.
2. Bewegen Sie den Schnitthöhenhebel nach hinten, um die Schnitthöhe zu erhöhen. (Abb. 22)
3. Bewegen Sie den Schnitthöhenhebel nach vorne, um die Schnitthöhe zu verringern.



ACHTUNG: Stellen Sie die Schnitthöhe nicht zu niedrig ein. Die Klingen können auf den Boden treffen, wenn die Oberfläche des Rasens nicht eben ist.

Akku



WARNUNG: Vor dem Betrieb des Akkus müssen Sie die Sicherheitsinformationen lesen und verstehen. Sie müssen außerdem Bedienungsanleitung für den Akku und das Ladegerät lesen und verstehen.

Sorgen Sie für die richtigen Umgebungstemperaturen von Akku und Ladegerät.

	Umgebungstemperatur
Betrieb des Akkus	5 bis 40 °C
Laden des Akkus	5 bis 40 °C

Akkuladestatus

Auf der Anzeige werden der verbleibende Ladezustand und eventuelle Störungen des Akkus angezeigt. Die Akkukapazität wird nach dem Ausschalten des Geräts bzw. nach Drücken der Akkuanzeigetaste für 5 Sekunden angezeigt. Das Warnsymbol auf dem Akku leuchtet auf, wenn eine Störung vorliegt. Siehe Akku auf Seite 82.

(Abb. 23)

LED-Leuchten	Akkuladestatus
Alle LEDs leuchten	Volle Ladung (75-100 %)
LED 1, LED 2 und LED 3 leuchten	Der Akku ist zu 50-75 % geladen
LED 1 und LED 2 leuchten	Der Akku ist zu 25-50 % geladen
LED 1 leuchtet	Der Akku ist zu 0-25 % geladen.
LED 1 blinkt	Der Akku ist leer. Laden Sie den Akku.

So laden Sie den Akku

Laden Sie den Akku vor dem ersten Gebrauch. Der Akku ist bei der Auslieferung an den Kunden nur zu 30 % geladen.

Hinweis: Das Ladegerät muss mit der auf dem Typenschild angegebenen Spannung und Frequenz angeschlossen werden.

Der Akku wird nicht aufgeladen, wenn die Akkutemperatur über 50 °C beträgt. Das Ladegerät verringert die Temperatur des Akkus, bevor es zu laden beginnt.

1. Schließen Sie ein Ende des Netzkabels für das Ladegerät an die Anschlussbuchse des Ladegeräts an.
2. Schließen Sie das andere Ende des Netzkabels für das Ladegerät an eine geerdete Steckdose an. Die LED am Ladegerät blinkt einmal grün. (Abb. 24)
3. Die Batterie in das Ladegerät einlegen. Die grüne Leuchte auf dem Ladegerät leuchtet auf, wenn der Akku richtig mit dem Ladegerät verbunden ist. (Abb. 25)
4. Wenn alle LEDs am Akku leuchten, ist der Akku vollständig aufgeladen. Laden Sie den Akku für maximal 24 Stunden.
5. Um das Ladegerät von der Steckdose zu trennen, ziehen Sie am Netzstecker und nicht am Netzkabel.
6. Den Akku aus dem Ladegerät entnehmen.

Akku-Ladestatus

Husqvarna Lithium-Ionen-Akkus können unabhängig vom Ladezustand geladen oder verwendet werden. Der Akku wird hierdurch nicht beschädigt. Ein vollgeladener Akku behält ihre Ladung auch dann, wenn der Akku im Ladegerät belassen wird.

LED-Anzeige	Ladezustand
LED 1 blinkt	0 %-25 %
LED 1 leuchtet, LED 2 blinkt	25 %-50 %
LED 1 und LED 2 leuchten, LED 3 blinkt	50 %-75 %
LED 1, LED 2 und LED 3 leuchten, LED 4 blinkt	75%-100 %
LED 1, LED 2, LED 3 und LED 4 leuchten	Vollständig aufgeladen

So starten Sie das Gerät

1. Öffnen Sie den Akkudeckel.
2. Legen Sie einen aufgeladenen Akku in das Akkufach ein.
3. Drehen Sie den Sicherheitsschlüssel auf 1. (Abb. 26)
4. Halten Sie sich immer hinter dem Gerät auf.
5. Lösen Sie die Startsperrung. (Abb. 17)
6. Drücken Sie den Motorbremsgriff in Richtung des Lenkers. (Abb. 27)

So verwenden Sie die SaveE™ - Funktion

Das Gerät ist mit einer Akkusparfunktion (SaveE™) ausgestattet, um die Betriebsdauer zu verlängern.

- Drücken Sie die SaveE™-Taste in Position 1, um die Funktion zu starten. (Abb. 28)

- Drücken Sie die SaveE™-Taste in Position 0, um die Funktion zu stoppen.

besteht Verletzungsgefahr durch einen versehentlichen Neustart des Geräts.

Hinweis: Die SaveE™-Funktion stoppt automatisch, wenn die Bodenbeschaffenheit eine höhere Leistung erfordert. Die SaveE™-Funktion startet automatisch erneut, wenn die Bodenbeschaffenheit es zulässt.

So stoppen Sie das Gerät



WARNUNG: Stellen Sie den Sicherheitsschlüssel auf 0, bevor Sie das Gerät unbeaufsichtigt lassen.

Funktion für hohe Belastung

Wenn das Produkt langes oder nasses Gras schneidet, wird die Motordrehzahl automatisch erhöht. Der Motor wechselt zurück zum normalen Modus, wenn eine hohe Belastung nicht erforderlich ist.

Motor stirbt ab

Im Betrieb können Klinge und Motor durch Hindernisse (z. B. Verstopfung durch Gras unter der Schneidwerkabdeckung) blockiert und abgewürgt werden. Wenn dies geschieht und Sie den Motorbremsgriff gedrückt halten, macht das Gerät einen automatischen Neustart. Wenn das Gerät nicht innerhalb von 5-10 Sekunden neu startet, muss der Bereich unter der Schneidwerkabdeckung eventuell gereinigt werden. Siehe So reinigen Sie das Gerät auf Seite 81.



WARNUNG: Wenn der Motor anhält, versucht das Gerät 5-10 Sekunden lang, automatisch neu zu starten. Warten Sie mindestens 15 Sekunden, bevor Sie die Schneidwerkabdeckung überprüfen.



WARNUNG: Bevor Sie die Schneidwerkabdeckung prüfen, lösen Sie den Motorbremsgriff, drehen den Sicherheitsschlüssel auf 0, entnehmen den Akku und warten mindestens 5 Sekunden. Wenn das Hindernis entfernt wird,

1. Lösen Sie den Motorbremsgriff, um den Motor auszuschalten. (Abb. 29)
2. Öffnen Sie die Akkuabdeckung und drehen Sie den Sicherheitsschlüssel auf 0. (Abb. 30)
3. Um den Akku zu entfernen, drücken Sie die beiden Entriegelungstasten und ziehen Sie den Akku heraus. (Abb. 31)
4. Laden Sie den Akku, wenn er schwach ist. Weitere Informationen finden Sie unter So laden Sie den Akku auf Seite 79.

So erhalten Sie ein gutes Arbeitsergebnis

- Benutzen Sie immer eine scharfe Klinge. Eine stumpfe Klinge liefert ein unregelmäßiges Ergebnis, und die Schnittfläche des Grases wird gelb. Eine scharfe Klinge verbraucht außerdem weniger Energie als eine stumpfe Klinge.
- Schneiden Sie nicht mehr als $\frac{1}{3}$ der Länge des Grases ab. Mähen Sie zuerst mit einer hohen Schnitthöhe. Überprüfen Sie das Ergebnis, und senken Sie die Schnitthöhe auf eine entsprechende Stufe. Wenn das Gras sehr lang ist, fahren Sie langsam und mähen bei Bedarf 2-mal.
- Mähen Sie bei jedem Mal in eine andere Richtung, um Streifen auf dem Rasen zu vermeiden.
- Halten Sie die Schneidwerkabdeckung sauber. Ansammlungen von Gras und Schmutz auf der Innenseite der Schneidwerkabdeckung können das Schneidergebnis beeinträchtigen. Siehe So reinigen Sie das Gerät auf Seite 81.

Wartung

Einleitung



WARNUNG: Bevor Sie eine Wartung durchführen, müssen Sie das Kapitel über die Sicherheit lesen und verstehen.

Für alle Wartungs- und Reparaturarbeiten am Produkt ist eine spezielle Schulung erforderlich. Wir garantieren die Verfügbarkeit von professionellen Reparaturen und Wartungsarbeiten. Wenn Ihr Händler keine Servicewerkstatt ist, sprechen Sie mit ihm, um Informationen über die nächste Servicewerkstatt zu erhalten.

Genauere Informationen finden Sie unter www.husqvarna.com.

Wartungsplan

Die Wartungsintervalle werden anhand der täglichen Nutzung des Geräts berechnet. Die Intervalle ändern sich, wenn das Gerät nicht täglich verwendet wird.

Für Wartungsarbeiten, die mit * gekennzeichnet sind, siehe Anweisungen in Sicherheit auf Seite 72.

	Nach jedem Einsatz	Monatlich	Zu jeder Jahreszeit
Allgemeine Inspektion durchführen.	X		
Das Gerät reinigen.	X		
Den Bereich um den Höheneinstellungsbügel reinigen.	X		
Die Startsperrle prüfen. *	X		
Sicherstellen, dass die Sicherheitsvorrichtungen am Gerät nicht beschädigt sind. *	X		
Die Schneidausrüstung prüfen.	X		
Die Schneidwerkabdeckung prüfen. *	X		
Den Motorbremsgriff prüfen. *	X		
Den Akku auf Schäden kontrollieren.	X		
Den Ladezustand des Akkus überprüfen.	X		
Sicherstellen, dass die Entriegelungstasten am Akku richtig funktionieren und der Akku in das Gerät einrastet.	X		
Das Ladegerät auf Beschädigungen überprüfen und sicherstellen, dass es ordnungsgemäß funktioniert.		X	
Die Verbindungen zwischen Akku und Gerät überprüfen. Die Verbindung zwischen Akku und Ladegerät ebenfalls überprüfen.			X

So führen Sie eine allgemeine Inspektion durch

- Stellen Sie sicher, dass die Muttern und Schrauben am Produkt nicht beschädigt sind.
- Stellen Sie sicher, dass die Kabel an dem Produkt nicht so liegen, dass sie beschädigt werden könnten.

So reinigen Sie das Gerät

- Kunststoffteile mit einem sauberen und trockenen Tuch reinigen.
- Verwenden Sie kein Wasser zur Reinigung des Produkts. Wasser kann in den Akku oder den Motor eindringen und einen Kurzschluss oder andere Schäden am Produkt verursachen.
- Reinigen Sie das Gerät nicht mit einem Hochdruckreiniger.
- Lassen Sie kein Wasser direkt auf den Motor gelangen.
- Verwenden Sie einen Pinsel, um Blätter, Gras und Schmutz zu entfernen.

So reinigen Sie den Akku und das Ladegerät



WARNUNG: Reinigen Sie weder den Akku noch das Ladegerät mit Wasser.



WARNUNG: Verwenden Sie keine chemischen Substanzen zum Reinigen des Akkus.

- Stellen Sie sicher, dass der Akku und das Ladegerät sauber und trocken sind, bevor Sie den Akku in das Ladegerät einlegen.
- Reinigen Sie die Akkuklemmen mit Druckluft oder einem weichen, trockenen Tuch.
- Reinigen Sie die Oberflächen des Akkus und des Ladegeräts mit einem weichen, trockenen Tuch.

So reinigen Sie den Bereich um den Höheneinstellungsbügel

- Verwenden Sie einen Pinsel, um Blätter, Gras und Schmutz zu entfernen.
(Abb. 32)

So prüfen Sie die Schneidusrüstung



WARNUNG: Um ein unbeabsichtigtes Starten zu verhindern, drehen Sie den Sicherheitsschlüssel auf 0, entfernen Sie den Akku und warten Sie mindestens 5 Sekunden.



WARNUNG: Tragen Sie Schutzhandschuhe, wenn Sie an der Schneidusrüstung eine Wartung durchführen. Die Klinge ist sehr scharf und man schneidet sich sehr leicht.

1. Prüfen Sie die Schneidusrüstung auf Beschädigungen oder Risse. Wechseln Sie eine beschädigte Schneidusrüstung unbedingt aus.
2. Schauen Sie sich die Klinge an, um festzustellen, ob sie beschädigt oder stumpf ist.

Hinweis: Nach dem Schärfen muss die Klinge ausbalanciert werden. Lassen Sie eine Servicewerkstatt die Klinge schärfen, ersetzen und ausbalancieren. Wenn Sie auf ein Hindernis treffen, das das Produkt zum Halten bringt, ersetzen Sie die beschädigte Klinge. Lassen Sie die Werkstatt beurteilen, ob die Klinge geschliffen werden kann oder ersetzt werden muss.

So tauschen Sie die Klinge aus

Siehe Technische Daten auf Seite 85 für weitere Informationen zum richtigen Klingentyp.



WARNUNG: Sichern Sie die Klinge mit einem Holzblock, um Verletzungen der Finger beim Austausch der Klinge

zu vermeiden. Die Klinge lässt sich bei ausgeschaltetem Motor bewegen, sodass die Finger zwischen Klinge und feststehenden Teilen eingeklemmt werden können.

1. Arretieren Sie die Klinge mit einem Holzblock. (Abb. 33)
2. Entfernen Sie die Klingenschraube, die Federscheibe und die Klinge. (Abb. 34)
3. Prüfen Sie die Halterung und den Bolzen der Klinge, um festzustellen, ob Beschädigungen vorliegen.
4. Prüfen Sie die Motorwelle, um sicherstellen, dass sie nicht geknickt ist.
5. Wenn Sie die neue Klinge montieren, zeigen die abgewinkelten Enden der Klinge in die Richtung der Schneidwerkabdeckung. (Abb. 35)
6. Stellen Sie sicher, dass die Klinge mit der Mitte der Motorwelle ausgerichtet ist.
7. Arretieren Sie die Klinge mit einem Holzblock. Befestigen Sie die Federscheibe, und ziehen Sie die Schraube und die Unterlegscheibe mit einem Drehmoment von 23–28 Nm an. (Abb. 36) (Abb. 34)
8. Drehen Sie die Klinge mit der Hand, um sicherzustellen, dass sie sich einwandfrei dreht.



WARNUNG: Tragen Sie Sicherheitshandschuhe. Die Klinge ist sehr scharf, und man schneidet sich sehr leicht.

9. Starten Sie das Gerät, um die Klinge zu prüfen. Wenn die Klinge nicht richtig befestigt ist, gibt es im Gerät Vibrationen, oder das Schneidergebnis ist unbefriedigend.

Fehlerbehebung

Akku

LED-Anzeige am Akku	Ursache	Lösung
Die grüne LED blinkt.	Die Akkuspannung ist niedrig.	Laden Sie den Akku auf. Siehe So laden Sie den Akku auf Seite 79.

LED-Anzeige am Akku	Ursache	Lösung
Die Fehler-LED blinkt.	Der Akku ist schwach.	Laden Sie den Akku auf. Siehe So laden Sie den Akku auf Seite 79.
	Die Temperatur in der Arbeitsumgebung ist zu hoch oder zu niedrig.	Der Akku darf nur bei Temperaturen zwischen 5 und 40 °C verwendet werden.
	Überspannung.	Sicherstellen, dass die Netzspannung mit dem auf dem Typenschild des Geräts angezeigten Spannungswert übereinstimmt. Nehmen Sie den Akku aus dem Ladegerät. 5 Sekunden und warten und erneut versuchen, den Akku aufzuladen. Falls das Problem weiter besteht, eine autorisierte Servicewerkstatt kontaktieren.
Die Fehler-LED leuchtet.	Die Zellendifferenz ist zu groß (1 V).	Bitte eine autorisierte Servicewerkstatt kontaktieren.

Akkuladegerät

Die LED am Akkuladegerät	Ursache	Lösung
Die Fehler-LED blinkt.	Die Temperatur in der Arbeitsumgebung ist zu hoch oder zu niedrig.	Das Akkuladegerät darf nur bei Temperaturen zwischen 5 und 40 °C verwendet werden.
Die Fehler-LED leuchtet.		Bitte eine autorisierte Servicewerkstatt kontaktieren.

Rasenmäher

Die Warnanzeige (Fehler-LED) befindet sich unter der Akkuabdeckung.

Problem	Fehler-LED (Blinkanzahl)	Ursache	Lösung
Fehler-LED blinkt. Das Gerät arbeitet nicht korrekt.	5	Die Klinge ist blockiert.	Den Sicherheitsschlüssel auf 0 drehen, um ein versehentliches Starten zu verhindern. Den Akku entfernen und mindestens 5 Sekunden warten. Mögliche Hindernisse entfernen und sicherstellen, dass sich die Klinge frei drehen kann. Falls das Problem weiter besteht, eine autorisierte Servicewerkstatt kontaktieren.
		Die Motordrehzahl fällt zu stark ab, und der Motor stoppt.	Die Schnitthöhe erhöhen. Siehe So stellen Sie die Schnitthöhe ein auf Seite 78.
	10	Die Motorsteuerung ist zu heiß.	Den Motor abschalten und warten, bis er sich abgekühlt hat.

Problem	Fehler-LED (Blinkanzahl)	Ursache	Lösung
Fehler-LED blinkt. Das Gerät schaltet sich ab.	0	Akku-Anschluss defekt.	Akku-Anschluss überprüfen.
	3	Der Motor ist überlastet.	Die Schnitthöhe erhöhen. Siehe So stellen Sie die Schnitthöhe ein auf Seite 78.
	8	Der Akku ist schwach.	Akku aufladen. Siehe So laden Sie den Akku auf Seite 79.
	9	Akkufehler oder kein Signal vom Akku.	Den Akku korrekt in das Gerät einsetzen und den Akku-Anschluss überprüfen. Wenn die Fehler-LED am Akku blinkt. Siehe Akkuladestatus auf Seite 79.
	12	Falsche Vorgehensweise beim Anlassen. Der Motorbremsgriff wurde vor dem Motorstart betätigt.	Den Motorbremsgriff lösen und ca. 5 Sekunden warten. Den Motorbremsgriff erneut nach unten drücken, um das Gerät zu starten.
Andere Fehler.	Wenn andere Fehler auftreten, stellen Sie den Sicherheitsschlüssel auf 0, entfernen den Akku und wenden sich an eine zugelassene Servicewerkstatt.		

Transport, Lagerung und Entsorgung

Einleitung



WARNUNG: Um ein unbeabsichtigtes Starten bei Transport und Lagerung zu verhindern, drehen Sie den Sicherheitsschlüssel auf 0, entfernen den Akku und warten mindestens 5 Sekunden.

- Stellen Sie sicher, dass Sie sich an die Vorschriften für gefährliche Güter halten, wenn Sie das Produkt für den Transport vorbereiten. Gegebenenfalls gelten örtliche Vorschriften.
- Entnehmen Sie die für den Transport stets den Akku.
- Decken Sie die Akkustecker mit Klebeband ab und stellen Sie sicher, dass der Akku sich während des Transports nicht bewegen kann.
- Sichern Sie das Produkt während des Transports.

So bringen Sie das Gerät in die Transportposition

1. Drücken Sie mit dem Fuß auf den Höheneinstellungsbügel. (Abb. 37)
2. Ziehen Sie den Griff nach oben, und ziehen Sie den Höheneinstellungsbügel aus der Nut.
3. Klappen Sie den Griff nach vorne, bis er die Endposition erreicht hat. (Abb. 38)
4. Klappen Sie den Höheneinstellungsbügel in Richtung der Schneidabdeckung. (Abb. 39)
5. Lösen Sie die Griffknöpfe. (Abb. 40)
6. Klappen Sie den oberen Griff nach hinten. (Abb. 41)

Transport

- Die enthaltenen Lithium-Ionen-Batterien unterliegen den gesetzlichen Bestimmungen zu gefährlichen Gütern.
- Für gewerbliche Transporte müssen besondere Anforderungen bei Verpackung und Kennzeichnung eingehalten werden.

Lagerung

- Lassen Sie das Gerät vor der Lagerung abkühlen.
- Entnehmen Sie für die Lagerung stets den Akku.
- Stellen Sie zur Vermeidung von Unfällen sicher, dass der Akku während der Lagerung nicht an das Produkt angeschlossen bleibt.
- Bewahren Sie das Ladegerät an einem geschlossenen und trockenen Ort auf.
- Bewahren Sie den Akku und das Ladegerät an einem trockenen Ort ohne Feuchtigkeit oder Frost auf.
- Trennen Sie den Akku während der Lagerung vom Ladegerät.
- Lagern Sie den Akku nicht an einem Ort, an dem es zu elektrostatischen Entladungen kommen kann. Bewahren Sie den Akku nicht in einem Metallkasten auf.
- Lagern Sie das Gerät bei einer Umgebungstemperatur zwischen -10 und 40 °C.

- Lagern Sie den Akku an einem Ort mit einer Umgebungstemperatur zwischen 5 und 25 °C, und setzen Sie ihn nicht direkter Sonneneinstrahlung aus.
- Lagern Sie das Akkuladegerät an einem Ort mit einer Umgebungstemperatur zwischen 5 und 45 °C, und setzen Sie es nicht direkter Sonneneinstrahlung aus.
- Stellen Sie sicher, dass der Akkustand mindestens zwischen 30 und 50 % beträgt, bevor Sie das Produkt für längere Zeit einlagern.
- Bewahren Sie das Produkt, den Akku und das Ladegerät an einem verschließbaren Ort und für Kinder und unbefugte Personen unzugänglich auf.
- Reinigen Sie das Gerät, und stellen Sie sicher, dass der Grasfänger leer ist.
- Führen Sie die Wartungsarbeiten durch, die in dieser Betriebsanleitung beschrieben sind. Siehe Wartungsplan auf Seite 80.
- Führen Sie eine vollständige Wartung durch, bevor Sie das Gerät längere Zeit einlagern.

Entsorgung

Durch Symbole auf dem Produkt oder seiner Verpackung wird angezeigt, dass dieses Produkt nicht über den Hausmüll entsorgt werden darf. Es ist einer entsprechenden Recycling-Einrichtung zuzuführen, damit elektrische und elektronische Komponenten wiedergewonnen werden können.

Dadurch, dass Sie sicherstellen, dass Sie mit diesem Produkt sorgfältig umgehen, können Sie helfen, den potentiellen negativen Auswirkungen auf die Umwelt und Ihre Mitmenschen entgegenzuwirken, die sich andernfalls durch eine unsachgemäße Entsorgung dieses Produkts ergeben können. Genauere Informationen über die ordnungsgemäße Entsorgung dieses Produkts erhalten Sie bei Ihrer Stadtverwaltung, Ihrem Abfallentsorgungsunternehmen oder dem Geschäft, in dem Sie Ihr Produkt gekauft haben.

(Abb. 42)

Technische Daten

	LB 144i
Schneidmotor	
Motortyp	BLDC (bürstenlos) 36 V
Motorrehzahl – SavE, U/min	2600/min
Motorrehzahl – Nennwert, U/min	3200/min
Motorrehzahl – hohe Belastung, U/min	3500/min
Motorleistung – max. kW	0,9
Motorleistung – Nennwert, kW	0,75
Antriebsmotor	
Motorleistung – Nennwert, kW	k.A.
Eigene Gehgeschwindigkeit, km/h	k.A.
Anpasswerte Geschwindigkeit	k.A.
Gewicht	
Gewicht (ohne Akku), kg	15,5
Gewicht (inkl. 1x BLi30), kg	17,5
Akku	
Akkutyp	Husqvarna-Akkuserie
Akkulaufzeit	
Mindest-Akkulaufzeit (Leerlauf) bei aktiviertem SavE-Modus, mit einem Husqvarna 7,5-Ah-Akku (BLi30).	170

	LB 144i
Mindest-Akkulaufzeit (Leerlauf) bei aktiviertem Standardmodus, mit einem Husqvarna 7,5-Ah-Akku (BLi30).	135
Geräuschemissionen ¹³	
Schallleistungspegel, gemessen dB (A)	90
Schallleistungspegel, garantiert L _{WA} dB (A)	92
Schallpegel ¹⁴	
Schalldruckpegel am Ohr des Bedieners, dB (A)	77
Vibrationspegel ¹⁵	
Griff, m/s ²	0,7
Schneidausrüstung	
Schnitthöhe, mm	25-75
Schnittbreite, cm	44
Klinge, Standard	Mulch 5298073-10
Klingenzubehör	k.A.

Zugelassene Akkus	Typ	Akkukapazität, Ah	Spannung, V	Gewicht, lb/kg
40-B140	Lithium-Ionen	4,0	36	2,6/1,2
BLi30	Lithium-Ionen	7,5	36	4,2/1,9

Zugelassene Ladegeräte für die angegebenen Akkus, BLi	Eingangsspannung, V	Frequenz, Hz	Leistung, W
40-C80	100–240	50–60	68,8
QC250	220-240	50	250

¹³ Umweltbelastende Geräuschemissionen, gemessen als Schalleistung (L_{WA}) gemäß EG-Richtlinie 2000/14/EG.

¹⁴ Die für den Schalldruckpegel angegebenen Werte haben einen Messunsicherheitsfaktor von 1,5 dB(A).

¹⁵ Die für den Vibrationspegel angegebenen Werte haben einen Messunsicherheitsfaktor von 1,5 m/s². Der angegebene Vibrationsgesamtwert wurde gemäß EN 62841-4-3, Anhang 1 gemessen und kann zum Maschinenvergleich sowie für eine vorläufige Beurteilung der Exposition herangezogen werden.

Konformitätserklärung

EU-Konformitätserklärung

Die Husqvarna AB, SE-561 82 Huskvarna, Schweden,
Tel.: +46-36-146500, erklärt in alleiniger Verantwortung,
dass das Gerät:

Beschreibung	Rasenmäher
Marke	Husqvarna
Typ/Modell	LB 144i
Identifizierung	Seriennummern ab 2022

die folgenden EU-Richtlinien und -Verordnungen erfüllt:

Verordnung	Beschreibung
2006/42/EG	„Maschinenrichtlinie“
2014/30/EG	„EMV-Richtlinie“
2000/14/EG	„über umweltbelastende Geräuschemissionen von zur Verwendung im Freien vorgesehenen Geräten und Maschinen“
2011/65/EG	„zur Beschränkung der Verwendung bestimmter gefährlicher Stoffe in Elektro- und Elektronikgeräten“

und dass die folgenden Normen und/oder technischen Daten angewendet werden: EN 62841-1:2015/AC:2015, EN IEC 62841-4-3:2021/A11:2021, EN ISO 12100:2010, EN 55014-1:2021, EN 55014-2:2021, EN IEC 61000-6-2:2019, EN IEC 61000-6-3:2021, EN IEC 63000:2018

Benannte Stelle: 0404, RISE SMP Svensk Maskinprovning AB, Box 4053, SE-904 03 Umeå, Schweden bestätigte die Konformität mit der Richtlinie 2000/14/EG, Konformitätsbewertungsverfahren nach: Anhang VI.

Informationen zu Geräuschemissionen finden Sie unter Technische Daten auf Seite 85.

Huskvarna, 2022-12-05



Claes Losdal, Entwicklungsleiter/Gartenprodukte,
Husqvarna AB

Verantwortlich für die technische Dokumentation



Περιεχόμενα

Εισαγωγή.....	88	Αντιμετώπιση προβλημάτων.....	100
Ασφάλεια.....	89	Μεταφορά, αποθήκευση και απόρριψη.....	101
Συναρμολόγηση.....	95	Τεχνικά στοιχεία.....	102
Λειτουργία.....	95	Δήλωση συμμόρφωσης.....	105
Συντήρηση.....	98		

Εισαγωγή

Περιγραφή προϊόντος

Το προϊόν είναι ένα ωθούμενο χλοοκοπτικό γκαζόν πεζού χειριστή με κύλινδρο, που χρησιμοποιεί το BioClip για να κόψει το γρασίδι σε σύνθεση λιπάσματος.

Επισκόπηση προϊόντος

(Εικ. 1)

1. Λαβή / χειρολαβή
2. Λαβή φρένου μοτέρ
3. Αναστολέας εκκίνησης
4. Λαβές ανύψωσης
5. Πλαίσιο κοπής
6. Μοχλός ρύθμισης του ύψους κοπής
7. Κλειδί ασφαλείας
8. Καπάκι μπαταρίας
9. Ασφάλεια ρύθμισης ύψους για τη χειρολαβή
10. Κουμπί λειτουργίας εξοικονόμησης Save
11. Προειδοποιητική λυχνία (LED σφάλματος)
12. Εγχειρίδιο χρήσης
13. Φορτιστής μπαταρίας (αξεσουάρ)
14. Μπαταρία (αξεσουάρ)

Σύμβολα στο προϊόν

(Εικ. 2) ΠΡΟΕΙΔΟΠΟΙΗΣΗ

(Εικ. 3) Διαβάστε τις οδηγίες.

(Εικ. 4) ΠΡΟΕΙΔΟΠΟΙΗΣΗ - Προσοχή σε αντικείμενα που εκτοξεύονται.

(Εικ. 5) Απομακρύνετε τυχόν παριστάμενα άτομα.

(Εικ. 6) ΠΡΟΕΙΔΟΠΟΙΗΣΗ – Κρατήστε τα χέρια και τα πόδια σας μακριά από τις λεπίδες.

(Εικ. 7) ΠΡΟΕΙΔΟΠΟΙΗΣΗ – Αποσυνδέστε την μπαταρία πριν από τη συντήρηση.

(Εικ. 8) Το προϊόν ή η συσκευασία του προϊόντος δεν αποτελεί οικιακό απόρριμμα. Ανακυκλώστε το σε κέντρο ανακύκλωσης ηλεκτρικού και ηλεκτρονικού εξοπλισμού.

Προβλεπόμενη χρήση

Χρησιμοποιήστε το προϊόν για την κοπή γρασιδιού. Μην χρησιμοποιείτε το προϊόν για άλλες εργασίες.

(Εικ. 9)

Ετικέτα εκπομπών θορύβου στο περιβάλλον σύμφωνα με οδηγίες και κανονισμούς της ΕΕ και του Η.Β. και τη νομοθεσία της Νότιας Νέας Ουαλίας "Κανονισμός για την προστασία των περιβαλλοντικών δράσεων (έλεγχος θορύβου) του 2017". Η εγγυημένη στάθμη θορύβου του προϊόντος καθορίζεται στην ενότητα Τεχνικά στοιχεία στη σελίδα 102 και στην ετικέτα.

(Εικ. 10) Αυτό το εξάρτημα συμμορφώνεται με τις ισχύουσες οδηγίες ΕΚ.

(Εικ. 11) Αυτό το προϊόν συμμορφώνεται με τις ισχύουσες οδηγίες του Η.Β.

(Εικ. 12) Το προϊόν διαθέτει προστασία από διαρροές νερού.

(Εικ. 13) Για να διακόψετε τη λειτουργία, αφήστε τη λαβή του φρένου του μοτέρ.

(Εικ. 14) Κωδικός με δυνατότητα σάρωσης.

Περιεχόμενα Άλλα σύμβολα/σήματα που υπάρχουν στο προϊόν αναφέρονται σε απαιτήσεις πιστοποίησης για ορισμένες αγορές.

Ευθύνη προϊόντος

Όπως αναφέρεται στη νομοθεσία περί ευθύνης για τα προϊόντα, δεν φέρουμε καμία ευθύνη για ζημιές που οφείλονται στο προϊόν μας εάν:

- Το προϊόν έχει επισκευαστεί λανθασμένα.
- Το προϊόν έχει επισκευαστεί με εξαρτήματα που δεν προέρχονται από τον κατασκευαστή ή που δεν έχουν εγκριθεί από τον κατασκευαστή.

- Το προϊόν διαθέτει ένα αξεσουάρ που δεν προέρχεται από τον κατασκευαστή ή που δεν έχει εγκριθεί από τον κατασκευαστή.

- Το προϊόν δεν έχει επισκευαστεί σε εγκεκριμένο κέντρο σέρβις ή από εγκεκριμένη αρχή.

Ασφάλεια

Ορισμοί για την ασφάλεια

Για την επισημάνση ειδικών σημαντικών τμημάτων του χειριδίου χρησιμοποιούνται προειδοποιήσεις, συστάσεις προσοχής και σημειώσεις.



ΠΡΟΕΙΔΟΠΟΙΗΣΗ: Χρησιμοποιείται όταν υπάρχει κίνδυνος τραυματισμού ή θανάτου του χειριστή ή άλλων παριστάμενων ατόμων, αν δεν τηρηθούν οι οδηγίες που παρέχονται στο χειριδίο.



ΠΡΟΣΟΧΗ: Χρησιμοποιείται όταν υπάρχει κίνδυνος πρόκλησης ζημιάς στο προϊόν, σε άλλα υλικά ή στον παρακείμενο χώρο, αν δεν τηρηθούν οι οδηγίες που παρέχονται στο χειριδίο.

Περιεχόμενα Χρησιμοποιείται για παροχή περισσότερων πληροφοριών, οι οποίες χρειάζονται σε μια δεδομένη κατάσταση.

Γενικές προειδοποιήσεις ασφαλείας για το προϊόν



ΠΡΟΕΙΔΟΠΟΙΗΣΗ: Διαβάστε όλες τις προειδοποιήσεις, τις οδηγίες, τις εικόνες και τις προδιαγραφές ασφαλείας που παρέχονται με αυτό το προϊόν. Η μη τήρηση όλων των οδηγιών που αναφέρονται παρακάτω μπορεί να προκαλέσει ηλεκτροπληξία, πυρκαγιά ή/και σοβαρό τραυματισμό.

Φυλάξτε τις προειδοποιήσεις και τις οδηγίες για μελλοντική αναφορά. Ο όρος "προϊόν" που χρησιμοποιείται στις προειδοποιήσεις αναφέρεται σε προϊόν που τροφοδοτείται από το δίκτυο ρεύματος (με καλώδιο) ή σε προϊόν που τροφοδοτείται από μπαταρία (χωρίς καλώδιο).

Ασφάλεια στο χώρο εργασίας

- Διατηρήστε το χώρο εργασίας καθαρό και με καλό φωτισμό. Οι ακατάστατοι ή σκοτεινοί χώροι ενέχουν τον κίνδυνο ατυχημάτων.
- Μην χειρίζεστε το προϊόν σε εκρηκτικές ατμόσφαιρες, π.χ. στον ίδιο χώρο με εύφλεκτα υγρά, αέρια ή σωματίδια σκόνης. Το προϊόν δημιουργεί σπινθήρες, οι οποίοι ενδέχεται να προκαλέσουν την ανάφλεξη των σωματιδίων σκόνης ή των καπνών.

- Κατά τον χειρισμό του προϊόντος, δεν πρέπει να βρίσκονται κοντά παιδιά ή άλλοι παρευρισκόμενοι. Ενδέχεται να αποσπάσουν την προσοχή σας, με αποτέλεσμα να χάσετε τον έλεγχο.

Ασφάλεια με το ηλεκτρικό ρεύμα

- Το βύσμα του προϊόντος πρέπει να ταιριάζει στην πρίζα. Μην τροποποιείτε ποτέ το βύσμα. Μην χρησιμοποιείτε προσαρμογείς με γεωμένα προϊόντα. Η χρήση μη τροποποιημένων φις και αντίστοιχων πριζών μειώνει τον κίνδυνο ηλεκτροπληξίας.
- Αποφύγετε την επαφή του σώματος με γεωμένες επιφάνειες, όπως σωλήνες, καλοριφέρ, κουζίνες και ψυγεία. Υπάρχει αυξημένος κίνδυνος ηλεκτροπληξίας, αν το σώμα σας έρθει σε επαφή με τη γείωση.
- Μην εκθέτετε τα προϊόντα στη βροχή ή σε συνθήκες υγρασίας. Σε περίπτωση εισχώρησης νερού στο προϊόν, αυξάνεται ο κίνδυνος ηλεκτροπληξίας.
- Μην προκαλείτε φθορά στο καλώδιο. Μην χρησιμοποιείτε ποτέ το καλώδιο για τη μεταφορά, το τράβηγμα ή την αποσύνδεση του προϊόντος. Φυλάσσετε το καλώδιο μακριά από θερμότητα, λάδια, αιχμηρές άκρες ή κινούμενα εξαρτήματα. Εάν το καλώδιο καταστραφεί ή εμπλακεί, αυξάνεται ο κίνδυνος ηλεκτροπληξίας.
- Όταν χρησιμοποιείτε ένα προϊόν σε εξωτερικό χώρο, χρησιμοποιήστε ένα καλώδιο προέκτασης που είναι κατάλληλο για χρήση σε εξωτερικό χώρο. Η χρήση καλωδίου κατάλληλου για εξωτερικό χώρο μειώνει τον κίνδυνο ηλεκτροπληξίας.
- Αν η χρήση ενός προϊόντος σε χώρο με υγρασία είναι αναπόφευκτη, χρησιμοποιήστε παροχή ρεύματος με διάταξη προστασίας από ρεύματα διαρροής (RCD). Η χρήση μιας συσκευής RCD μειώνει τον κίνδυνο ηλεκτροπληξίας.

Προσωπική ασφάλεια

- Να είστε σε εγρήγορση, να παρακολουθείτε αυτό που κάνετε και να χρησιμοποιείτε την κοινή λογική όταν χρησιμοποιείτε ένα προϊόν. Μην χρησιμοποιείτε προϊόντα όταν είστε κουρασμένοι ή υπό την επήρεια ναρκωτικών, αλκοόλ ή φαρμάκων. Μια στιγμή απροσεξίας κατά τον χειρισμό των προϊόντων μπορεί να οδηγήσει σε σοβαρό τραυματισμό.
- Πρέπει να χρησιμοποιείτε προσωπικό εξοπλισμό προστασίας. Φοράτε πάντοτε προστατευτικά γυαλιά. Ο εξοπλισμός προστασίας, όπως προστατευτική μάσκα αναπνοής, αντιολισθητικά παπούτσια ασφαλείας, κράνος ή προστατευτικά ακοής σε κατάλληλες συνθήκες, μειώνει τον κίνδυνο τραυματισμών.

- Φροντίστε ώστε να μην είναι εφικτή η ακούσια εκκίνηση. Βεβαιωθείτε ότι ο διακόπτης βρίσκεται στη θέση Off προτού συνδέσετε το προϊόν στην πηγή τροφοδοσίας ή/και στην μπαταρία και προτού πιάσετε ή μεταφέρετε το προϊόν. Η μεταφορά των προϊόντων, ενώ έχετε το χέρι σας στον διακόπτη, ή η σύνδεση ενεργοποιημένων προϊόντων σε πρίζα ενέχει κίνδυνο ατυχήματος.
- Αφαιρέστε τυχόν κλειδιά προσαρμογής ή σύσφιξης, προτού ενεργοποιήσετε το προϊόν. Ένα κλειδί σύσφιξης ή ρύθμισης που παραμένει προσαρτημένο σε κινούμενο μέρος του προϊόντος μπορεί να προκαλέσει τραυματισμό.
- Μην τεντώνετε υπερβολικά. Να πατάτε καλά τα πόδια σας και να διατηρείτε την ισορροπία σας συνεχώς. Έτσι επιτυγχάνεται καλύτερος έλεγχος του προϊόντος σε τυχόν απρόβλεπτες καταστάσεις.
- Φοράτε κατάλληλα ρούχα. Μην φοράτε φαρδιά ρούχα ή κοσμήματα. Φροντίστε τα μαλλιά και τα ρούχα σας να βρίσκονται σε απόσταση από τα κινούμενα εξαρτήματα. Τα φαρδιά ρούχα, τα κοσμήματα ή τα μακριά μαλλιά ενδέχεται να πιαστούν σε κινούμενα μέρη.
- Εάν παρέχονται διατάξεις για τη σύνδεση συστημάτων συλλογής και απομάκρυνσης σκόνης, βεβαιωθείτε ότι αυτές έχουν συνδεθεί και χρησιμοποιούνται σωστά. Να χρησιμοποιείτε σύστημα συλλογής σκόνης για να μειώσετε τους κινδύνους που σχετίζονται με τη σκόνη.
- Ακόμη και αν χρησιμοποιείτε συχνά και είστε εξοικειωμένοι με τα προϊόντα, μην επαναπαύεστε και μην παραβλέπετε τις αρχές ασφαλείας των εργαλείων. Μια απρόσεκτη ενέργεια μπορεί να προκαλέσει σοβαρό τραυματισμό σε κλάσμα του δευτερολέπτου.
- Συντηρείτε τα προϊόντα και τα αξεσουάρ. Ελέγξτε το προϊόν για τυχόν εσφαλμένη ευθυγράμμιση ή κινούμενα εξαρτήματα που μαγκώνουν, σπασμένα εξαρτήματα ή άλλες καταστάσεις που ενδέχεται να επηρεάσουν τη λειτουργία του προϊόντος. Σε περίπτωση ζημιάς, φροντίστε για την επισκευή του προϊόντος προτού το χρησιμοποιήσετε. Πολλά ατυχήματα προκαλούνται από προϊόντα που δεν συντηρούνται σωστά.
- Διατηρείτε τα εργαλεία κοπής αιχμηρά και καθαρά. Εάν τα εργαλεία κοπής συντηρούνται σωστά, με αιχμηρές άκρες κοπής, είναι λιγότερο πιθανή η εμπλοκή τους και πιο εύκολος ο έλεγχός τους.
- Χρησιμοποιείτε το προϊόν, τα εξαρτήματα και τα τρυπάνια σύμφωνα με τις οδηγίες αυτές, λαμβάνοντας υπόψη τις συνθήκες εργασίας και την εργασία που πρέπει να εκτελεστεί. Η χρήση του προϊόντος για εργασίες διαφορετικές από αυτές για τις οποίες προορίζεται μπορεί να οδηγήσει σε επικίνδυνες καταστάσεις.
- Διατηρήστε τις χειρολαβές και τις επιφάνειες κρατήματος στεγνές και καθαρές, χωρίς λάδια και γράσο. Οι ολισθηρές λαβές και επιφάνειες κρατήματος δεν επιτρέπουν τον ασφαλή χειρισμό και έλεγχο του προϊόντος σε απρόβλεπτες καταστάσεις.

Χρήση και φροντίδα εργαλείων μπαταρίας

- Να επαναφορτίζετε μόνο με το φορτιστή που ορίζεται από τον κατασκευαστή. Ένας φορτιστής κατάλληλος για έναν τύπο συστοιχίας μπαταριών μπορεί να δημιουργήσει κίνδυνο φωτιάς κατά τη χρήση με άλλη συστοιχία μπαταριών.
- Χρησιμοποιείτε προϊόντα μόνο με τις προδιαγραφόμενες μπαταρίες. Η χρήση οποιασδήποτε άλλης μπαταρίας μπορεί να προκαλέσει κίνδυνο τραυματισμού και πυρκαγιάς.
- Όταν η μπαταρία δεν χρησιμοποιείται, πρέπει να την φυλάσσετε μακριά από άλλα μεταλλικά αντικείμενα, όπως συνδετήρες, νομίσματα, κλειδιά, καρφιά, βίδες ή άλλα μικρά μεταλλικά αντικείμενα, που μπορεί να προκαλέσουν ένωση των πόλων. Η βραχυκύκλωση των ακροδεκτών της μπαταρίας μεταξύ τους μπορεί να προκαλέσει εγκαύματα ή πυρκαγιά.
- Σε περίπτωση ακατάλληλου χειρισμού, μπορεί να εκτιναχθεί υγρό από την μπαταρία. Αποφύγετε κάθε επαφή. Σε περίπτωση τυχαίας επαφής, ξεπλύνετε με νερό. Εάν το υγρό έρθει σε επαφή με τα μάτια, ζητήστε επίσης ιατρική βοήθεια. Η εκτόξευση υγρού από την μπαταρία μπορεί να προκαλέσει ερεθισμούς ή εγκαύματα.
- Μην χρησιμοποιείτε μπαταρίες ή εργαλεία που έχουν υποστεί ζημιά ή μετατροπές. Οι μπαταρίες που έχουν υποστεί ζημιά ή τροποποίηση μπορεί να παρουσιάσουν απρόβλεπτη συμπεριφορά με αποτέλεσμα να προκληθεί κίνδυνος πυρκαγιάς, έκρηξης ή τραυματισμού.
- Μην εκθέτετε τις μπαταρίες ή τα εργαλεία σε φωτιά ή υπερβολική θερμοκρασία. Η έκθεση σε φωτιά ή θερμοκρασίες πάνω από 130 °C/265 °F μπορεί να προκαλέσει έκρηξη.

Χρήση και φροντίδα προϊόντος

- Μην ασκείτε δύναμη το προϊόν. Χρησιμοποιήστε το κατάλληλο προϊόν για την εφαρμογή σας. Το κατάλληλο προϊόν θα προσφέρει υψηλότερη απόδοση και ασφάλεια κατά την εργασία σας στο βαθμό για τον οποίο έχει σχεδιαστεί.
- Μην χρησιμοποιείτε το προϊόν, εάν δεν μπορεί να ενεργοποιηθεί και να απενεργοποιηθεί με τον διακόπτη. Ένα προϊόν που δεν μπορεί να ελεγχθεί από τον διακόπτη είναι επικίνδυνο και πρέπει να επισκευαστεί.
- Αποσυνδέστε το βύσμα από την πηγή τροφοδοσίας ή/και αφαιρέστε την μπαταρία, αν είναι αποσπώμενη, από το προϊόν πριν από την πραγματοποίηση ρυθμίσεων, την αλλαγή αξεσουάρ ή την αποθήκευση ηλεκτρικών εργαλείων. Αυτά τα προληπτικά μέτρα ασφαλείας μειώνουν τον κίνδυνο ακούσιας εκκίνησης του προϊόντος.
- Φυλάσσετε τα προϊόντα που βρίσκονται σε αδράνεια μακριά από παιδιά και μην επιτρέπετε σε άτομα που δεν είναι εξοικειωμένα με αυτά ή με τις οδηγίες να χρησιμοποιούν το προϊόν. Τα προϊόντα είναι επικίνδυνα στα χέρια μη εκπαιδευμένων χρηστών.

- Ακολουθήστε όλες τις οδηγίες φόρτισης και μην φορτίζετε τις μπαταρίες ή τα εργαλεία εκτός του εύρους θερμοκρασίας που προδιαγράφεται στις οδηγίες. Η φόρτιση με λανθασμένο τρόπο ή σε θερμοκρασίες εκτός του προδιαγραφόμενου εύρους μπορεί να προκαλέσει ζημιά στην μπαταρία και αυξάνει τον κίνδυνο πυρκαγιάς.

Υπηρεσία

- Αναθέστε το σέρβις του προϊόντος σας σε εξειδικευμένο τεχνικό για επισκευή με τη χρήση μόνο πανομοιότυπων ανταλλακτικών. Έτσι διασφαλίζεται η ασφάλεια του προϊόντος.
- Μην εκτελείτε εργασίες σέρβις σε κατεστραμμένες μπαταρίες. Οι εργασίες σέρβις σε μπαταρίες θα πρέπει να εκτελούνται μόνο από τον κατασκευαστή ή από εξουσιοδοτημένα καταστήματα σέρβις.

Προειδοποιήσεις ασφαλείας για το ωθούμενο χλοοκοπτικό

- Μην χρησιμοποιείτε το ωθούμενο χλοοκοπτικό σε κακές καιρικές συνθήκες, ιδιαίτερα όταν υπάρχει κίνδυνος κεραυνού. Έτσι μειώνεται ο κίνδυνος να σας χτυπήσει κεραυνός.
- Επιθεωρήστε προσεκτικά την περιοχή όπου θα χρησιμοποιηθεί το ωθούμενο χλοοκοπτικό για ύπαρξη πανίδας. Η πανίδα μπορεί να τραυματιστεί από το ωθούμενο χλοοκοπτικό κατά τη διάρκεια της λειτουργίας.
- Επιθεωρήστε προσεκτικά την περιοχή όπου θα χρησιμοποιηθεί το ωθούμενο χλοοκοπτικό και αφαιρέστε όλες τις πέτρες, τα κλαδιά, τα καλώδια, τα κόκκαλα και οποιαδήποτε άλλα ξένα αντικείμενα. Τα αντικείμενα που εκτοξεύονται μπορούν να προκαλέσουν τραυματισμό.
- Πριν από τη χρήση, επιθεωρείτε πάντα οπτικά το ωθούμενο χλοοκοπτικό για να βεβαιωθείτε ότι η λεπίδα και το συγκρότημα λεπίδας δεν έχουν φθαρεί ή καταστραφεί. Τα εξαρτήματα που έχουν υποστεί φθορά ή ζημιά αυξάνουν τον κίνδυνο τραυματισμού.
- Ελέγχετε συχνά τον συλλέκτη χόρτου για φθορά ή μειωμένη απόδοση. Ο φθαρμένος ή κατεστραμμένος συλλέκτης χόρτου μπορεί να αυξήσει τον κίνδυνο προσωπικού τραυματισμού.
- Διατηρείτε τα προστατευτικά στη θέση τους. Τα προστατευτικά πρέπει να βρίσκονται σε λειτουργική κατάσταση και να είναι σωστά τοποθετημένα. Εάν ένα προστατευτικό είναι χαλαρό, έχει υποστεί ζημιά ή δεν λειτουργεί σωστά, μπορεί να προκληθεί τραυματισμός.
- Διατηρήστε όλες τις εισαγωγές αέρα ψύξης καθαρές από υπολείμματα. Οι φραγμένες εισαγωγές αέρα και τα υπολείμματα μπορεί να προκαλέσουν υπερθέρμανση ή κίνδυνο πυρκαγιάς.
- Κατά τη λειτουργία του ωθούμενου χλοοκοπτικού, φοράτε πάντα αντιολισθητικά και προστατευτικά παπούτσια. Μην χρησιμοποιείτε το ωθούμενο χλοοκοπτικό με γυμνά πόδια ή φαρνίτσες σανδάλια. Αυτό μειώνει την πιθανότητα τραυματισμού των ποδιών από επαφή με την κινούμενη λεπίδα.

- Κατά τη λειτουργία του ωθούμενου χλοοκοπτικού, φοράτε πάντα μακριά παντελόνια. Το εκτεθειμένο δέρμα αυξάνει την πιθανότητα τραυματισμού από αντικείμενα που εκτινάσσονται.
- Μην χρησιμοποιείτε το ωθούμενο χλοοκοπτικό σε νωπό γρασίδι. Περπατάτε, ποτέ μην τρέχετε. Αυτό μειώνει τον κίνδυνο ολίσθησης και πτώσης, γεγονός που μπορεί να οδηγήσει σε τραυματισμό.
- Μην χρησιμοποιείτε το ωθούμενο χλοοκοπτικό σε υπερβολικά απότομα πρανή. Αυτό μειώνει τον κίνδυνο απώλειας ελέγχου, ολίσθησης και πτώσης, γεγονός που μπορεί να οδηγήσει σε τραυματισμό.
- Κατά την εργασία σε πρανή, πρέπει πάντα να είστε σίγουροι που πατάτε, να εργάζεστε πάντα κινούμενοι εγκάρσια στις επιφάνειες με κλίση, ποτέ προς τα πάνω ή προς τα κάτω, και να είστε ιδιαίτερα προσεκτικοί κατά την αλλαγή κατεύθυνσης. Αυτό μειώνει τον κίνδυνο απώλειας ελέγχου, ολίσθησης και πτώσης, γεγονός που μπορεί να οδηγήσει σε τραυματισμό.
- Πρέπει να είστε εξαιρετικά προσεκτικοί κατά την οπισθοπορεία ή όταν τραβάτε το ωθούμενο χλοοκοπτικό προς το μέρος σας. Να είστε πάντα προσεκτικοί με το περιβάλλον σας. Αυτό μειώνει τον κίνδυνο παραπατήματος στη διάρκεια της λειτουργίας.
- Μην αγγίζετε τις λεπίδες και άλλα επικίνδυνα κινούμενα μέρη ενώ βρίσκονται ακόμη σε κίνηση. Αυτό μειώνει τον κίνδυνο τραυματισμού από κινούμενα μέρη.
- Όταν απομακρύνετε υλικά που μπλοκάρουν τη λειτουργία ή όταν καθαρίζετε το ωθούμενο χλοοκοπτικό, βεβαιωθείτε ότι όλοι οι διακόπτες ισχύος είναι σβηστοί και ότι το καλώδιο παροχής ρεύματος είναι αποσυνδεδεμένο. Η μη αναμενόμενη λειτουργία του ωθούμενου χλοοκοπτικού μπορεί να οδηγήσει σε σοβαρό τραυματισμό.

Διάταξη προστασίας από ρεύματα διαρροής

- Χρησιμοποιήστε μια διάταξη προστασίας από ρεύματα διαρροής με ρεύμα ενεργοποίησης το ανώτερο έως 30 mA.

Γενικές οδηγίες ασφαλείας



ΠΡΟΕΙΔΟΠΟΙΗΣΗ: Προτού χρησιμοποιήσετε το προϊόν, διαβάστε τις παρακάτω προειδοποιητικές οδηγίες.

- Αυτό το προϊόν είναι επικίνδυνο αν δεν χρησιμοποιηθεί σωστά ή αν δεν είστε προσεκτικοί. Αν δεν τηρείτε τις οδηγίες ασφαλείας, μπορεί να προκληθεί τραυματισμός ή θάνατος.
- Αυτό το προϊόν παράγει ηλεκτρομαγνητικό πεδίο κατά τη λειτουργία του. Το πεδίο αυτό, υπό ορισμένες συνθήκες, μπορεί να προκαλέσει παρεμβολές σε ενεργά ή παθητικά ιατρικά εμφυτεύματα. Για να μειωθεί ο κίνδυνος σοβαρών ή θανατηφόρων τραυματισμών, συστήνουμε στα άτομα με ιατρικά εμφυτεύματα να συμβουλευούνται

το θεράποντα ιατρό τους και τον κατασκευαστή του ιατρικού εμφυτεύματος, προτού θέσουν το προϊόν σε λειτουργία.

- Πρέπει πάντα να προσέχετε και να χρησιμοποιείτε την κοινή λογική. Αν δεν είστε βέβαιοι πώς να χειριστείτε το προϊόν σε μια ιδιαίτερη κατάσταση, σταματήστε και μιλήστε με τον αντιπρόσωπο της Husqvarna προτού συνεχίσετε.
- Πρέπει να θυμάστε ότι ο χειριστής θεωρείται υπεύθυνος για ατυχήματα που μπορεί να προκληθούν σε άλλα άτομα ή στην περιοχή τους.
- Να διατηρείτε το προϊόν καθαρό. Βεβαιωθείτε ότι μπορείτε να διαβάσετε καθαρά τις ενδείξεις και τα σήματα.
- Μην επιτρέπετε ποτέ σε παιδιά ή άλλα άτομα, που δεν έχουν εξοικειωθεί με αυτές τις οδηγίες, να χρησιμοποιήσουν τη συσκευή. Οι τοπικοί κανονισμοί μπορεί να θέτουν περιορισμούς για την ηλικία του χειριστή.
- Αν το προϊόν χρησιμοποιείται από ένα άτομο με μειωμένη σωματική ή διανοητική ικανότητα, θα πρέπει πάντα να το επιβλέπετε. Πρέπει να είναι παρών ένας υπεύθυνος ενήλικας ανά πάσα στιγμή.
- Μην χρησιμοποιείτε το προϊόν, αν είστε κουρασμένοι, άρρωστοι ή υπό την επήρεια αλκοόλ, ναρκωτικών ή φαρμάκων. Αυτά έχουν αρνητικές συνέπειες στην όραση, την αυτοσυγκέντρωση, τον συντονισμό και την κρίση σας.
- Μην χρησιμοποιείτε το προϊόν, αν είναι ελαττωματικό.
- Μην τροποποιείτε το προϊόν και μην το χρησιμοποιείτε αν είναι εμφανές ότι έχει τροποποιηθεί από άλλους.

Ασφάλεια στην εργασία



ΠΡΟΕΙΔΟΠΟΙΗΣΗ: Προτού χρησιμοποιήσετε το προϊόν, διαβάστε τις παρακάτω προειδοποιητικές οδηγίες.

- Να χρησιμοποιείτε το προϊόν μόνο για την κοπή χόρτου γκαζόν. Δεν επιτρέπεται η χρήση του για άλλες εργασίες.
 - Πρέπει να χρησιμοποιείτε προσωπικό εξοπλισμό προστασίας. Ανατρέξτε στην ενότητα Προσωπικός εξοπλισμός προστασίας στη σελίδα 93.
 - Βεβαιωθείτε ότι γνωρίζετε πώς να σταματήσετε τον κινητήρα γρήγορα σε περίπτωση έκτακτης ανάγκης.
 - Μην χρησιμοποιείτε το προϊόν σε συνθήκες βροχής ή υγρασίας. Αν εισέλθει νερό στο προϊόν, αυξάνεται ο κίνδυνος ηλεκτροπληξίας.
 - Μην λειτουργείτε το προϊόν αν δεν είναι σωστά συνδεδεμένη η λεπίδα και όλα τα καλύμματα. Αν η λεπίδα δεν είναι σωστά συνδεδεμένη, μπορεί να χαλαρώσει και να προκληθεί προσωπικός τραυματισμός.
 - Να βεβαιώσετε ότι ο δίσκος δεν χτυπάει αντικείμενα, όπως πέτρες και ρίζες. Αυτό μπορεί να προκαλέσει ζημιά στη λεπίδα και να λυγίσει τον άξονα του
- κινητήρα. Ο λυγισμένος άξονας προκαλεί ισχυρή δόνηση και πολύ υψηλό κίνδυνο χαλάρωσης της λεπίδας.
 - Σε περίπτωση πρόσκρουσης της λεπίδας σε αντικείμενο ή αν διαπιστώσετε κραδασμούς, διακόψτε αμέσως τη λειτουργία του προϊόντος. Σβήστε τον κινητήρα, γυρίστε το κλειδί ασφαλείας στη θέση "0" και αφαιρέστε την μπαταρία. Περιμένετε μέχρι να σταματήσουν τα κινούμενα μέρη. Ελέγξτε το προϊόν για ζημιές. Σφίξτε τα χαλαρωμένα εξαρτήματα. Επισκευάστε τις ζημιές και αντικαταστήστε τα κατεστραμμένα εξαρτήματα. Η επισκευή θα πρέπει να γίνεται από εγκεκριμένο αντιπρόσωπο σέρβις.
 - Μην συνδέετε ποτέ μόνιμα τη λαβή φρένου του κινητήρα στη λαβή όταν έχει εκκινήσει ο κινητήρας.
 - Τοποθετήστε το προϊόν σε μια σταθερή, επίπεδη επιφάνεια και εκκινήστε το. Να βεβαιώνετε ότι η λεπίδα δεν χτυπάει στο έδαφος ή σε άλλα αντικείμενα.
 - Να παραμένετε πάντα πίσω από το προϊόν κατά τη λειτουργία.
 - Κατά τη λειτουργία του προϊόντος, θα πρέπει όλοι οι τροχοί να ακουμπούν στο έδαφος και να διατηρείτε και τα 2 χέρια πάνω στη λαβή. Φροντίστε τα χέρια και τα πόδια σας να βρίσκονται μακριά από τις περιστρεφόμενες λεπίδες.
 - Μην γέροντε το προϊόν όταν εκκινείτε τον κινητήρα ή όταν το προϊόν λειτουργεί.
 - Να είστε προσεκτικοί όταν τραβάτε το προϊόν προς τα πίσω.
 - Μην ανασηκώνετε ποτέ το προϊόν όταν έχει εκκινήσει ο κινητήρας. Αν πρέπει να ανασηκώσετε το προϊόν, σβήστε πρώτα τον κινητήρα, γυρίστε το κλειδί ασφαλείας στη θέση "0" και αφαιρέστε την μπαταρία.
 - Μην περπατάτε προς τα πίσω όταν χρησιμοποιείτε το προϊόν.
 - Σταματήστε τον κινητήρα όταν πρέπει να γείρετε το προϊόν για μεταφορά ή πριν να μετακινήσετε σε περιοχές χωρίς χορτάρι, για παράδειγμα σε μονοπάτια από χαλίκι, πέτρα και άσφαλο.
 - Μην τρέχετε με το προϊόν όταν έχει εκκινήσει ο κινητήρας. Να περπατάτε πάντα προς τα εμπρός όταν χρησιμοποιείτε το προϊόν.
 - Σβήστε τον κινητήρα προτού αλλάξετε το ύψος κοπής. Μην προβαίνετε ποτέ σε ρυθμίσεις ενώ έχει εκκινήσει ο κινητήρας.
 - Μην αφήνετε ποτέ το προϊόν εκτός του οπτικού σας πεδίου ενώ έχει εκκινήσει ο κινητήρας. Βεβαιωθείτε ότι ο εξοπλισμός κοπής δεν περιστρέφεται, προτού σβήσετε τον κινητήρα.
 - Οι δονήσεις στο προϊόν στη διάρκεια της λειτουργίας μπορεί να διαφέρουν από την αναγραφόμενη τιμή δόνησης στο Τεχνικά στοιχεία στη σελίδα 102. Η διαφορά οφείλεται σε διακυμάνσεις στον τρόπο χρήσης του προϊόντος. Εάν χρησιμοποιείτε το προϊόν συχνά ή για μεγάλα χρονικά διαστήματα, πρέπει να κάνετε τακτικά διαλείμματα για να αποφύγετε τραυματισμούς από δονήσεις.

Οδηγίες ασφαλείας για τη λειτουργία

Προσωπικός εξοπλισμός προστασίας



ΠΡΟΕΙΔΟΠΟΙΗΣΗ: Προτού χρησιμοποιήσετε το προϊόν, διαβάστε τις παρακάτω προειδοποιητικές οδηγίες.

- Ο προσωπικός εξοπλισμός προστασίας δεν μπορεί να εξαλείψει τον κίνδυνο τραυματισμών, ωστόσο μειώνει τη σοβαρότητά τους σε περίπτωση ατυχήματος. Ο αντιπρόσωπος θα σας βοηθήσει να επιλέξετε το σωστό εξοπλισμό.
- Να χρησιμοποιείτε αντιολισθητικές μπότες ή παπούτσια βαρέος τύπου. Να μην χρησιμοποιείτε το προϊόν με ανοιχτά παπούτσια ή ξυπόλυτοι.
- Χρησιμοποιήστε χοντρά, μακριά παντελόνια.
- Όταν χρειάζεται, να χρησιμοποιείτε προστατευτικά γάντια, για παράδειγμα κατά την τοποθέτηση, την επιθεώρηση ή τον καθαρισμό του εξοπλισμού κοπής.
- Συνιστάται η χρήση προστατευτικών ακοής.

Συσκευές ασφαλείας στο προϊόν



ΠΡΟΕΙΔΟΠΟΙΗΣΗ: Προτού χρησιμοποιήσετε το προϊόν, διαβάστε τις παρακάτω προειδοποιητικές οδηγίες.

- Μην χρησιμοποιείτε ποτέ το προϊόν, αν υπάρχουν ελαττωματικές συσκευές ασφαλείας.
- Μην αφαιρείτε και μην τροποποιείτε τις συσκευές ασφαλείας.
- Πρέπει να κάνετε τακτικά έλεγχο των συσκευών ασφαλείας. Αν οι συσκευές ασφαλείας είναι ελαττωματικές, απευθυνθείτε στον αντιπρόσωπο σέρβις της Husqvarna.

Για τον έλεγχο του καλύμματος κοπής

Το κάλυμμα κοπής μειώνει τους κραδασμούς στο προϊόν και μειώνεται ο κίνδυνος τραυματισμού από τη λεπίδα.

- Εξετάστε το κάλυμμα κοπής για να βεβαιωθείτε ότι δεν υπάρχουν φθορές όπως ρωγμές.

Έλεγχος του κλειδιού ασφαλείας

Το κλειδί ασφαλείας βρίσκεται κάτω από το καπάκι της μπαταρίας. Το κλειδί ασφαλείας συνδέει την μπαταρία που τροφοδοτεί με ρεύμα τον κινητήρα.

- Για να ελέγξετε το κλειδί ασφαλείας, εκκινήστε και σβήστε τον κινητήρα.
- Αν το κλειδί ασφαλείας λειτουργεί σωστά, ο κινητήρας μπορεί να εκκινήσει μόνο όταν το κλειδί ασφαλείας βρίσκεται στη θέση 1. (Εικ. 15)

Έλεγχος της λαβής του φρένου του κινητήρα

Χρησιμοποιήστε τη λαβή φρένου του κινητήρα, για να σβήσετε τον κινητήρα. Εάν απελευθερώσετε τη λαβή φρένου του κινητήρα, ο κινητήρας σβήνει.

- Θέστε το προϊόν σε λειτουργία. Ανατρέξτε στην ενότητα Εκκίνηση του προϊόντος στη σελίδα 97.
- Απελευθερώστε τη λαβή φρένου του κινητήρα. (Εικ. 16)
- Βεβαιωθείτε ότι το προϊόν σταματά. Αν ο κινητήρας δεν σβήσει εντός 3 δευτερολέπτων, απευθυνθείτε σε έναν εγκεκριμένο αντιπρόσωπο σέρβις της Husqvarna για τη ρύθμιση του φρένου του κινητήρα.

Έλεγχος του αναστολέα εκκίνησης

Ελέγξτε τον αναστολέα εκκίνησης για να βεβαιωθείτε ότι εμποδίζει τη λειτουργία του κινητήρα.

1. Σπρώξτε τη λαβή φρένου του κινητήρα προς την κατεύθυνση της χειρολαβής. Ο αναστολέας εκκίνησης σταματά να κινείται.
2. Σπρώξτε τον αναστολέα εκκίνησης προς τα έξω. (Εικ. 17)
3. Αφήστε τον αναστολέα εκκίνησης και βεβαιωθείτε ότι επιστρέφει στην αρχική του θέση.

Ασφάλεια μπαταρίας



ΠΡΟΕΙΔΟΠΟΙΗΣΗ: Προτού χρησιμοποιήσετε το προϊόν, διαβάστε τις παρακάτω προειδοποιητικές οδηγίες.

- Χρησιμοποιείτε επαναφορτιζόμενες μπαταρίες της Husqvarna ως πηγή ηλεκτρικής ισχύος μόνο για τα σχετικά προϊόντα της Husqvarna. Για την αποφυγή τραυματισμών, μην χρησιμοποιείτε την μπαταρία ως πηγή ηλεκτρικής ισχύος για άλλες συσκευές.
- Μην χρησιμοποιείτε μη επαναφορτιζόμενες μπαταρίες.
- Κίνδυνος ηλεκτροπληξίας. Μη συνδέετε τους ακροδέκτες της μπαταρίας σε κλειδιά, νομίσματα, βίδες ή άλλα μεταλλικά αντικείμενα. Αυτό μπορεί να προκαλέσει βραχυκύκλωμα της μπαταρίας.
- Μην τοποθετείτε αντικείμενα μέσα στις εγκοπές αερισμού της μπαταρίας.
- Διατηρείτε την μπαταρία μακριά από την ηλιακή ακτινοβολία, τη θερμότητα ή τις γυμνές φλόγες. Η μπαταρία μπορεί να εκραγεί και να προκαλέσει εγκαύματα ή/και χημικά εγκαύματα.
- Διατηρείτε την μπαταρία μακριά από συνθήκες βροχής και υγρασίας.
- Διατηρείτε την μπαταρία μακριά από πηγές μικροκυμάτων και υψηλής πίεσης.
- Μην προσπαθήσετε να αποσυναρμολογήσετε ή να διαλύσετε την μπαταρία.
- Αν η μπαταρία εμφανίσει διαρροή, φροντίστε το υγρό να μην έρθει σε επαφή με το δέρμα ή τα μάτια σας. Αν έρθετε σε επαφή με το υγρό, καθαρίστε την περιοχή με μεγάλη ποσότητα νερού και ζητήστε ιατρική βοήθεια.
- Χρησιμοποιείτε την μπαταρία του προϊόντος μόνο όταν η θερμοκρασία περιβάλλοντος είναι μεταξύ 5 °C και 40 °C.

- Χρησιμοποιείτε τον φορτιστή μπαταρίας μόνο όταν η θερμοκρασία περιβάλλοντος είναι μεταξύ 5 °C και 40 °C.
- Η μπαταρία δεν φορτίζεται, εάν η θερμοκρασία της είναι μεγαλύτερη από 50 °C.
- Μην καθαρίζετε την μπαταρία ή το φορτιστή μπαταρίας με νερό. Ανατρέξτε στην ενότητα Καθαρισμός της μπαταρίας και του φορτιστή μπαταρίας στη σελίδα 99.
- Μην χρησιμοποιείτε ελαττωματικές ή κατεστραμμένες μπαταρίες.
- Φυλάσσετε τις μπαταρίες μακριά από μεταλλικά αντικείμενα, όπως καρφιά, νομίσματα και κοσμήματα.

Ασφάλεια φορτιστή μπαταρίας



ΠΡΟΕΙΔΟΠΟΙΗΣΗ: Προτού χρησιμοποιήσετε το προϊόν, διαβάστε τις παρακάτω προειδοποιητικές οδηγίες.

- Χρησιμοποιείτε τους φορτιστές μπαταρίας QC για να φορτίζετε μόνο τις ανταλλακτικές μπαταρίες της Husqvarna.
- Κίνδυνος ηλεκτροπληξίας ή βραχυκυκλώματος. Μην τοποθετείτε αντικείμενα μέσα στις εγκοπές αερισμού του φορτιστή. Μην επιχειρείτε να αποσυρμολογήσετε το φορτιστή μπαταρίας. Μην συνδέετε ποτέ τους ακροδέκτες του φορτιστή σε μεταλλικά αντικείμενα. Χρησιμοποιήστε μια εγκεκριμένη πρίζα.
- Αυτό το προϊόν παράγει ηλεκτρομαγνητικό πεδίο κατά τη λειτουργία του. Το πεδίο αυτό, υπό ορισμένες συνθήκες, μπορεί να προκαλέσει παρεμβολές σε ενεργά ή παθητικά ιατρικά εμφυτεύματα. Προκειμένου να μειωθεί ο κίνδυνος παθήσεων που μπορεί να προκαλέσουν τραυματισμό ή θάνατο, συνιστούμε στα άτομα με ιατρικά εμφυτεύματα να συμβουλευτούν το θεράποντα ιατρό τους και τον κατασκευαστή του ιατρικού εμφυτεύματος, πριν να θέσουν το προϊόν σε λειτουργία.
- Να βεβαιώνετε τακτικά ότι το καλώδιο ρεύματος του φορτιστή της μπαταρίας δεν έχει υποστεί ζημιά και ότι δεν παρουσιάζει ρωγμές.
- Μην σηκώνετε το φορτιστή μπαταρίας από το καλώδιο ρεύματος. Για να αποσυνδέσετε το φορτιστή της μπαταρίας από την πρίζα, τραβήξτε το βύσμα. Μην τραβάτε το καλώδιο.
- Διατηρείτε το καλώδιο ρεύματος και το καλώδιο επέκτασης μακριά από νερό, λάδι και αιχμηρές γωνίες. Βεβαιωθείτε ότι το καλώδιο δεν έχει μαγκώσει σε πόρτες, φράκτες ή παρόμοια σημεία. Μπορεί να προκληθεί κίνδυνος τροφοδοσίας ρεύματος στο φορτιστή.
- Μην καθαρίζετε τον φορτιστή μπαταρίας με νερό.
- Ο φορτιστής της μπαταρίας μπορεί να χρησιμοποιηθεί από παιδιά ηλικίας από 8 ετών και άνω και από άτομα με περιορισμένες σωματικές, αισθητήριες ή διανοητικές ικανότητες ή από άτομα χωρίς εμπειρία και γνώση, εφόσον τον

- χρησιμοποιούν υπό επίτηρηση ή έχουν λάβει οδηγίες σχετικά με την ασφαλή χρήση του και κατανοούν τους κινδύνους που ενέχονται. Τα παιδιά δεν πρέπει να παίζουν με το φορτιστή της μπαταρίας. Τα παιδιά δεν πρέπει να εκτελούν εργασίες καθαρισμού και συντήρησης χωρίς επίβλεψη.
- Μην φορτίζετε μη επαναφορτιζόμενες μπαταρίες με το φορτιστή της μπαταρίας.
- Μη χρησιμοποιείτε το φορτιστή μπαταρίας κοντά σε εύφλεκτα υλικά ή υλικά που μπορούν να προκαλέσουν διάβρωση. Μην καλύπτετε το φορτιστή μπαταρίας. Σε περίπτωση έκλυσης καπνού ή πυρκαγιάς, βγάλτε το φορτιστή μπαταρίας από την πρίζα.
- Μη χρησιμοποιείτε φορτιστή μπαταρίας που παρουσιάζει ελάττωμα ή έχει υποστεί ζημιά.
- Φορτίζετε την μπαταρία μόνο σε εσωτερικό και καλά αεριζόμενο χώρο μακριά από την ηλιακή ακτινοβολία. Μην φορτίζετε την μπαταρία σε συνθήκες υγρασίας.

Οδηγίες ασφαλείας για τη συντήρηση



ΠΡΟΕΙΔΟΠΟΙΗΣΗ: Προτού χρησιμοποιήσετε το προϊόν, διαβάστε τις παρακάτω προειδοποιητικές οδηγίες.

- Για την αποφυγή ακούσιας εκκίνησης κατά τις εργασίες συντήρησης, γυρίστε το κλειδί ασφαλείας στη θέση "0" και αφαιρέστε την μπαταρία. Περιμένετε τουλάχιστον για 5 δευτερόλεπτα προτού ξεκινήσετε τις εργασίες συντήρησης.
- Να πραγματοποιείτε μόνο τις εργασίες συντήρησης που περιλαμβάνονται στο παρόν εγχειρίδιο χρήσης. Οι εκτεταμένες εργασίες και οι επαγγελματικές επισκευές πρέπει να εκτελούνται από εγκεκριμένο αντιπρόσωπο σέρβις. Επικοινωνήστε με τον πλησιέστερο αντιπρόσωπο σέρβις για περισσότερες πληροφορίες.
- Να εκτελείτε σωστά τις εργασίες συντήρησης για να αυξήσετε τη διάρκεια ζωής του προϊόντος και να μειώσετε τον κίνδυνο ατυχημάτων.
- Φροντίστε να αντικαθιστάτε τυχόν κατεστραμμένα, φθαρμένα ή σπασμένα εξαρτήματα. Να χρησιμοποιείτε πάντα γνήσια ανταλλακτικά από τον κατασκευαστή. Άλλα ανταλλακτικά μπορεί να προκαλέσουν ζημιά στο προϊόν και να αυξήσουν τον κίνδυνο ατυχημάτων.
- Για την αποφυγή τραυματισμών, μην αφαιρείτε και μην τροποποιείτε τις συσκευές ασφαλείας.
- Φοράτε ανθεκτικά γάντια όταν χρησιμοποιείτε τον εξοπλισμό κοπής. Η λεπίδα είναι πολύ κοφτερή και μπορεί εύκολα να κοπείτε.
- Διατηρείτε την κοπτική ακμή αιχμηρή και καθαρή για καλύτερη απόδοση και μεγαλύτερη ασφάλεια.
- Να αναθέτετε στον αντιπρόσωπο σέρβις να ελέγχει συχνά το προϊόν και να κάνει τις απαραίτητες ρυθμίσεις και επισκευές.

- Τηρείτε τις οδηγίες για την αλλαγή των αξεσουάρ. Χρησιμοποιήστε μόνο αξεσουάρ του κατασκευαστή.
- Αποθηκεύετε το προϊόν, την μπαταρία και τον φορτιστή μπαταρίας ξεχωριστά σε κλειδωμένο

εσωτερικό χώρο χωρίς υγρασία, όταν δεν τα χρησιμοποιείτε. Βεβαιωθείτε ότι τα παιδιά και τα μη εξουσιοδοτημένα άτομα δεν έχουν πρόσβαση στο προϊόν, την μπαταρία ή τον φορτιστή μπαταρίας.

Συναρμολόγηση

Εισαγωγή



ΠΡΟΕΙΔΟΠΟΙΗΣΗ: Πριν συναρμολογήσετε το προϊόν, διαβάστε το κεφάλαιο για την ασφάλεια.



ΠΡΟΕΙΔΟΠΟΙΗΣΗ: Για την αποφυγή ακούσιας εκκίνησης κατά τη συναρμολόγηση, γυρίστε το κλειδί ασφαλείας στη θέση "0", αφαιρέστε την μπαταρία και περιμένετε τουλάχιστον για 5 δευτερόλεπτα.

2. Σφιξτε τις χειρόβιδες της λαβής. (Εικ. 18)
3. Τραβήξτε τη λαβή προς τα πίσω μέχρι να φτάσει στην τελική της θέση.
4. Διπλώστε την ασφάλεια ρύθμισης ύψους προς τα κάτω και τοποθετήστε την στην εγκοπή. (Εικ. 19)
5. Πιέστε προς τα κάτω την ασφάλεια ρύθμισης ύψους με το πόδι σας. (Εικ. 20)

Ρύθμιση ύψους της λαβής

1. Πιέστε προς τα μέσα την ασφάλεια ρύθμισης ύψους με το πόδι σας.
2. Τοποθετήστε τη χειρολαβή στη σωστή θέση και αφήστε την. (Εικ. 21)

Συναρμολόγηση της λαβής

1. Διπλώστε την επάνω λαβή προς τα εμπρός.

Λειτουργία

Εισαγωγή



ΠΡΟΕΙΔΟΠΟΙΗΣΗ: Προτού χρησιμοποιήσετε το προϊόν, πρέπει να διαβάσετε και να κατανοήσετε το κεφάλαιο για την ασφάλεια.

Husqvarna Connect

Η Husqvarna Connect είναι μια δωρεάν εφαρμογή για τη φορητή συσκευή σας. Η εφαρμογή Husqvarna Connect παρέχει εκτεταμένες λειτουργίες για το προϊόν σας Husqvarna:

- Περισσότερες πληροφορίες για το προϊόν.
- Πληροφορίες και βοήθεια για τα ανταλλακτικά και το σέρβις του προϊόντος.

Για να αρχίσετε να χρησιμοποιείτε το προϊόν Husqvarna Connect

1. Κατεβάστε την εφαρμογή Husqvarna Connect στη φορητή συσκευή σας.
2. Εγγραφείτε στην εφαρμογή Husqvarna Connect.
3. Ακολουθήστε τα βήματα με τις οδηγίες που θα βρείτε στην εφαρμογή Husqvarna Connect για να συνδέσετε και να δηλώσετε το προϊόν.

Τοποθέτηση του προϊόντος στη θέση λειτουργίας

1. Συναρμολόγηση της λαβής. Ανατρέξτε στην ενότητα Συναρμολόγηση της λαβής στη σελίδα 95.
2. Προσαρμόστε το ύψος της λαβής. Ανατρέξτε στην ενότητα Ρύθμιση ύψους της λαβής στη σελίδα 95.



ΠΡΟΣΟΧΗ: Βεβαιωθείτε ότι οι ντίζες δεν είναι πολύ τεντωμένες. Σε περίπτωση πολύ υψηλής μηχανικής τάσης, μπορεί να προκληθεί ζημιά στην ντίζα, εάν διπλωθεί η λαβή στη θέση μεταφοράς.



ΠΡΟΕΙΔΟΠΟΙΗΣΗ: Μην χρησιμοποιείτε το προϊόν εάν η λαβή δεν είναι πλήρως αναδιπλωμένη και δεν έχει ρυθμιστεί σε μία από τις κατάλληλες θέσεις ύψους. Ανατρέξτε στην ενότητα Ρύθμιση ύψους της λαβής στη σελίδα 95.

Ρύθμιση του ύψους κοπής

Το ύψος κοπής μπορεί να ρυθμιστεί σε 6 διαφορετικές θέσεις.

1. Σβήσιμο του κινητήρα.
2. Μετακινήστε τον μοχλό ύψους κοπής προς τα πίσω για να αυξήσετε το ύψος κοπής. (Εικ. 22)

3. Μετακινήστε τον μοχλό ύψους κοπής προς τα εμπρός για να μειώσετε το ύψος κοπής.



ΠΡΟΣΟΧΗ: Μην ρυθμίζετε το ύψος κοπής πολύ χαμηλά. Οι λεπίδες μπορεί να χτυπήσουν στο έδαφος αν η επιφάνεια του λλοοτάπητα δεν είναι επίπεδη.

Μπαταρία



ΠΡΟΕΙΔΟΠΟΙΗΣΗ: Προτού χρησιμοποιήσετε την μπαταρία, πρέπει να διαβάσετε και να κατανοήσετε το κεφάλαιο σχετικά με την ασφάλεια. Πρέπει επίσης να διαβάσετε και να κατανοήσετε το εγχειρίδιο χρήσης για την μπαταρία και τον φορτιστή της μπαταρίας.

Διατηρείτε την μπαταρία και τον φορτιστή μπαταρίας στις σωστές θερμοκρασίες περιβάλλοντος.

	Θερμοκρασία περιβάλλοντος
Λειτουργία της μπαταρίας	5 °C - 40 °C
Φόρτιση μπαταρίας	5 °C - 40 °C

Κατάσταση μπαταρίας

Στην οθόνη εμφανίζεται η απομένουσα χωρητικότητα της μπαταρίας και τυχόν προβλήματα της μπαταρίας. Η στάθμη φόρτισης της μπαταρίας εμφανίζεται για 5 δευτερόλεπτα μετά την απενεργοποίηση του προϊόντος ή το πάτημα του κουμπιού ένδειξης μπαταρίας. Το προειδοποιητικό σύμβολο στην μπαταρία ανάβει όταν προκύψει σφάλμα. Ανατρέξτε στην ενότητα Μπαταρία στη σελίδα 100.

(Εικ. 23)

Ενδεικτικές λυχνίες LED	Κατάσταση μπαταρίας
Όλες οι ενδεικτικές λυχνίες LED είναι αναμμένες	Πλήρως φορτισμένη (75-100%)
Οι ενδεικτικές λυχνίες LED 1, LED 2, LED 3 είναι αναμμένες	Η μπαταρία είναι φορτισμένη κατά 50%-75%
Οι ενδεικτικές λυχνίες LED 1, LED 2 είναι αναμμένες	Η μπαταρία είναι φορτισμένη κατά 25%-50%
Η ενδεικτική λυχνία LED 1 είναι αναμμένη	Η μπαταρία είναι φορτισμένη κατά 0%-25%.
Αναβοσβήνει η λυχνία LED 1	Η μπαταρία είναι άδεια. Φορτίστε την μπαταρία.

Φόρτιση της μπαταρίας

Φορτίστε την μπαταρία πριν από την πρώτη χρήση. Η μπαταρία είναι φορτισμένη μόνο κατά 30% όταν παρέχεται στον πελάτη.

Περιεχόμενα Ο φορτιστής της μπαταρίας πρέπει να συνδέεται σε παροχή με τάση και συχνότητα ίδια με αυτή που ορίζεται στην πινακίδα στοιχείων.

Η φόρτιση της μπαταρίας δεν είναι δυνατή αν η θερμοκρασία της μπαταρίας είναι μεγαλύτερη από 50 °C. Ο φορτιστής της μπαταρίας μειώνει τη θερμοκρασία πριν ξεκινήσει η φόρτιση.

1. Συνδέστε το ένα άκρο του καλωδίου ρεύματος του φορτιστή μπαταρίας στην υποδοχή του φορτιστή μπαταρίας.
2. Συνδέστε το άλλο άκρο του καλωδίου ρεύματος του φορτιστή μπαταρίας σε μια γειωμένη πρίζα. Η ενδεικτική λυχνία LED στον φορτιστή της μπαταρίας θα αναβοσβήσει με πράσινο χρώμα μία φορά. (Εικ. 24)
3. Τοποθετήστε την μπαταρία στο φορτιστή μπαταρίας. Όταν η μπαταρία συνδεθεί σωστά στον φορτιστή, ανάβει η πράσινη λυχνία στον φορτιστή. (Εικ. 25)
4. Η μπαταρία είναι πλήρως φορτισμένη, όταν ανάψουν όλες οι λυχνίες LED στην μπαταρία. Ο μέγιστος χρόνος φόρτισης της μπαταρίας δεν θα πρέπει να υπερβαίνει τις 24 ώρες.
5. Για να αποσυνδέσετε τον φορτιστή της μπαταρίας από την πρίζα, τραβήξτε το φις και όχι το καλώδιο.
6. Αφαιρέστε την μπαταρία από το φορτιστή.

Κατάσταση φόρτισης της μπαταρίας

Husqvarna Οι μπαταρίες ιόντων λιθίου μπορούν να φορτιστούν ή να χρησιμοποιηθούν σε οποιοδήποτε επίπεδο φόρτισης. Δεν προκαλείται ζημιά στην μπαταρία. Μια πλήρως φορτισμένη μπαταρία δεν χάνει το φορτίο της ακόμα κι αν παραμείνει μέσα στον φορτιστή.

Οθόνη LED	Κατάσταση φόρτισης
Αναβοσβήνει η λυχνία LED 1	0%-25%
Η ενδεικτική λυχνία LED 1 είναι αναμμένη, η ενδεικτική λυχνία LED 2 αναβοσβήνει	25%-50%
Οι ενδεικτικές λυχνίες LED 1, LED 2 είναι αναμμένες, η ενδεικτική λυχνία LED 3 αναβοσβήνει	50%-75%

Οθόνη LED	Κατάσταση φόρτισης
Οι ενδεικτικές λυχνίες LED 1, LED 2, LED 3 είναι αναμμένες, η ενδεικτική λυχνία LED 4 αναβοσβήνει	75%-100%
Οι λυχνίες LED 1, LED 2, LED 3, LED 4 είναι αναμμένες	Πλήρως φορτισμένη

Εκκίνηση του προϊόντος

1. Ανοίξετε το καπάκι της μπαταρίας.
2. Τοποθετήστε μία φορτισμένη μπαταρία στη θήκη της μπαταρίας.
3. Γυρίστε το κλειδί ασφαλείας στη θέση "1". (Εικ. 26)
4. Παραμείνετε πίσω από το προϊόν.
5. Χαλαρώστε τον αναστολέα εκκίνησης. (Εικ. 17)
6. Σπρώξτε τη λαβή του φρένου του μοτέρ προς την κατεύθυνση της χειρολαβής. (Εικ. 27)

Για να χρησιμοποιήσετε τη λειτουργία SaveE™

Το προϊόν διαθέτει μια λειτουργία εξοικονόμησης μπαταρίας (SaveE™) για μεγαλύτερη διάρκεια λειτουργίας.

- Πατήστε το κουμπί SaveE™ στη θέση 1 για να ξεκινήσει η λειτουργία. (Εικ. 28)
- Πατήστε το κουμπί SaveE™ στη θέση 0 για να διακόψετε τη λειτουργία.

Περιεχόμενα Η λειτουργία SaveE™ αυτόματα αν οι συνθήκες εδάφους απαιτούν υψηλότερη απόδοση. Η λειτουργία SaveE™ εκκινείται ξανά αυτόματα όταν το επιτρέψουν οι συνθήκες εδάφους.

Λειτουργία υψηλού φορτίου

Οι σ.α.λ. του κινητήρα αυξάνονται αυτόματα, όταν το προϊόν κόβει μακρύ ή υψοπ χορτάρι. Ο κινητήρας επιστρέφει σε κανονική λειτουργία όταν δεν απαιτείται υψηλό φορτίο.

Σβήσιμο του μοτέρ

Στη διάρκεια της λειτουργίας, η λεπίδα και το μοτέρ μπορεί να σταματήσουν προσωρινά, λόγω εμποδίων όπως το μπλοκάρισμα του χορταριού κάτω από το κάλυμμα κοπής. Εάν συμβεί αυτό και διατηρήσετε πατημένη τη λαβή του φρένου του μοτέρ, το προϊόν θα επανεκκινήσει αυτόματα. Αν το προϊόν δεν επανεκκινήσει σε 5-10 δευτερόλεπτα, μπορεί να χρειαστεί να καθαρίσετε την περιοχή κάτω από το κάλυμμα κοπής. Ανατρέξτε στην ενότητα Καθαρισμός του προϊόντος στη σελίδα 98.



ΠΡΟΕΙΔΟΠΟΙΗΣΗ: Αν σταματήσει το μοτέρ, το προϊόν προσπαθεί να επανεκκινήσει αυτόματα για 5-10 δευτερόλεπτα. Περιμένετε τουλάχιστον 15 δευτερόλεπτα προτού ελέγξετε το κάλυμμα κοπής.



ΠΡΟΕΙΔΟΠΟΙΗΣΗ: Πριν από τον έλεγχο του καλύμματος κοπής, αφήστε τη λαβή του φρένου του μοτέρ, γυρίστε το κλειδί ασφαλείας στη θέση 0, αφαιρέστε την μπαταρία και περιμένετε τουλάχιστον 5 δευτερόλεπτα. Υπάρχει κίνδυνος τραυματισμού σε περίπτωση αφαίρεσης του εμποδίου και της τυχαίας εκκίνησης του προϊόντος.

Διακοπή λειτουργίας του προϊόντος



ΠΡΟΕΙΔΟΠΟΙΗΣΗ: Γυρίστε το κλειδί ασφαλείας στη θέση "0" προτού αφήσετε το προϊόν εκτός του οπτικού σας πεδίου.

1. Απελευθερώστε τη λαβή φρένου του κινητήρα για να σβήσετε τον κινητήρα. (Εικ. 29)
2. Ανοίξετε το καπάκι της μπαταρίας και γυρίστε το κλειδί ασφαλείας στη θέση "0". (Εικ. 30)
3. Για να αφαιρέσετε την μπαταρία, πατήστε τα 2 κουμπιά απασφάλισης και τραβήξτε την μπαταρία προς τα έξω. (Εικ. 31)
4. Φορτίστε την μπαταρία, αν η στάθμη φόρτισης είναι πολύ χαμηλή. Για περισσότερες πληροφορίες, ανατρέξτε στην ενότητα Φόρτιση της μπαταρίας στη σελίδα 96.

Για ένα καλό αποτέλεσμα

- Να χρησιμοποιείτε πάντα μια ακονισμένη λεπίδα. Η στομωμένη λεπίδα δίνει ένα ακανόνιστο αποτέλεσμα και η επιφάνεια κοπής του γρασιδιού γίνεται κίτρινη. Επίσης, η ακονισμένη λεπίδα χρησιμοποιεί λιγότερη ενέργεια από μια στομωμένη λεπίδα.
- Να μην κόβετε ποτέ πάνω από το 1/2 του μήκους του γρασιδιού. Να κόβετε πρώτα με το ύψος κοπής ρυθμισμένο σε υψηλό. Εξετάστε το αποτέλεσμα και χαμηλώστε το ύψος κοπής σε κατάλληλο επίπεδο. Αν το γρασίδι είναι πολύ μακρύ, οδηγήστε αργά και κόψτε 2 φορές, αν είναι απαραίτητο.
- Να κόβετε κάθε φορά σε διαφορετικές κατευθύνσεις για να αποφευγείτε τις ρίγες στο γρασίδι.
- Διατηρείτε το κάλυμμα κοπής καθαρό. Η συσσώρευση γρασιδιού και ακαθαρσιών στην εσωτερική πλευρά του καλύμματος κοπής μπορεί να μειώσει το αποτέλεσμα κοπής. Ανατρέξτε στην ενότητα Καθαρισμός του προϊόντος στη σελίδα 98.

Συντήρηση

Εισαγωγή



ΠΡΟΕΙΔΟΠΟΙΗΣΗ: Προτού εκτελέσετε εργασίες συντήρησης, πρέπει να διαβάσετε και να κατανοήσετε το κεφάλαιο για την ασφάλεια.

Για όλες τις εργασίες συντήρησης και επισκευής στο προϊόν, είναι απαραίτητη ειδική εκπαίδευση. Μπορούμε να εγγυηθούμε για τη διαθεσιμότητα των επαγγελματικών επισκευών και τη συντήρηση. Αν ο αντιπρόσωπός σας δεν είναι αντιπρόσωπος σέρβις,

μιλήστε του για πληροφορίες σχετικά με τον πλησιέστερο αντιπρόσωπο σέρβις.

Για λεπτομερέστερες πληροφορίες, ανατρέξτε στη σελίδα www.husqvarna.com.

Πρόγραμμα συντήρησης

Τα διαστήματα συντήρησης υπολογίζονται με βάση την καθημερινή χρήση του προϊόντος. Τα διαστήματα αλλάζουν αν το προϊόν δεν χρησιμοποιείται καθημερινά.

Για τις εργασίες συντήρησης που επισημαίνονται με *, βλ. οδηγίες στην ενότητα Ασφάλεια στη σελίδα 89.

	Σε κάθε χρήση	Κάθε μή-να	Σε κάθε σεζόν
Πραγματοποιήστε γενική επιθεώρηση.	X		
Καθαρίστε το προϊόν.	X		
Καθαρίστε την περιοχή γύρω από την ασφάλεια ρύθμισης ύψους της λαβής.	X		
Ελέγξτε τον αναστολέα εκκίνησης. *	X		
Βεβαιωθείτε ότι οι συσκευές ασφαλείας στο προϊόν δεν είναι ελαττωματικές. *	X		
Έλεγχος του εξοπλισμού κοπής.	X		
Ελέγξτε το κάλυμμα κοπής. *	X		
Ελέγξτε τη λαβή του φρένου του μοτέρ. *	X		
Ελέγξτε την μπαταρία για ζημιά.	X		
Έλεγχος της φόρτισης της μπαταρίας.	X		
Έλεγχος της σωστής λειτουργίας των κουμπιών απασφάλισης της μπαταρίας και της ασφάλισης της μπαταρίας μέσα στο προϊόν.	X		
Ελέγξτε τον φορτιστή μπαταρίας για τυχόν ζημιές και βεβαιωθείτε ότι λειτουργεί σωστά.		X	
Ελέγξτε τις συνδέσεις μεταξύ της μπαταρίας και του προϊόντος. Επιπλέον, ελέγξτε τη σύνδεση μεταξύ της μπαταρίας και του φορτιστή μπαταρίας.			X

Εκτέλεση γενικής επιθεώρησης

- Βεβαιωθείτε ότι τα παξιμάδια και οι βίδες πάνω στο προϊόν είναι σφιγμένα.
- Βεβαιωθείτε ότι τα καλώδια στο προϊόν δεν βρίσκονται σε σημείο όπου μπορούν να υποστούν ζημιά.

Καθαρισμός του προϊόντος

- Καθαρίζετε τα πλαστικά εξαρτήματα με καθαρό και στεγνό πανί.
- Μην χρησιμοποιείτε νερό για να καθαρίσετε το προϊόν. Το νερό μπορεί να εισχωρήσει στην

μπαταρία ή στον κινητήρα και να προκαλέσει βραχυκύκλωμα ή ζημιά στο προϊόν.

- Μην χρησιμοποιείτε σύστημα πλύσης με υψηλή πίεση για να καθαρίσετε το προϊόν.
- Μην ρίχνετε νερό απευθείας επάνω στον κινητήρα.
- Χρησιμοποιήστε μια βούρτσα για να αφαιρέσετε φύλλα, γρασιδί και ακαθαρσίες.

Καθαρισμός της μπαταρίας και του φορτιστή μπαταρίας



ΠΡΟΕΙΔΟΠΟΙΗΣΗ: Μην καθαρίζετε την μπαταρία ή τον φορτιστή μπαταρίας με νερό.



ΠΡΟΕΙΔΟΠΟΙΗΣΗ: Μην χρησιμοποιείτε χημικές ουσίες για τον καθαρισμό της μπαταρίας.

- Βεβαιωθείτε ότι η μπαταρία και ο φορτιστής είναι καθαροί και στεγνοί προτού τοποθετήσετε την μπαταρία στον φορτιστή.
- Καθαρίστε τους πόλους της μπαταρίας με πεπιεσμένο αέρα ή χρησιμοποιήστε μαλακό και στεγνό πανί.
- Καθαρίστε τις επιφάνειες της μπαταρίας και του φορτιστή της μπαταρίας με μαλακό και στεγνό πανί.

Καθαρισμός περιοχής γύρω από την ασφάλεια ρύθμισης ύψους λαβής

- Χρησιμοποιήστε μια βούρτσα για να αφαιρέσετε φύλλα, γρασίδι και ακαθαρσίες. (Εικ. 32)

Έλεγχος εξοπλισμού κοπής



ΠΡΟΕΙΔΟΠΟΙΗΣΗ: Για την αποφυγή ακούσιας εκκίνησης, γυρίστε το κλειδί ασφαλείας στη θέση "0", αφαιρέστε την μπαταρία και περιμένετε τουλάχιστον για 5 δευτερόλεπτα.



ΠΡΟΕΙΔΟΠΟΙΗΣΗ: Να χρησιμοποιείτε προστατευτικά γάντια όταν κάνετε συντήρηση του εξοπλισμού κοπής. Η λεπίδα είναι πολύ κοφτερή και μπορεί εύκολα να κοπείτε.

1. Ελέγξτε τον εξοπλισμό κοπής για ζημιές ή ρωγμές. Πρέπει πάντα να αντικαθιστάτε τον εξοπλισμό κοπής αν έχει υποστεί ζημιά.
2. Κοιτάξτε τη λεπίδα για να δείτε εάν είναι φθαρμένη ή στομαυμένη.

Περιεχόμενα Είναι απαραίτητο να ζυγοσταθμιστεί η λεπίδα μετά το ακόνισμα. Να αναθέτετε το ακόνισμα,

την αντικατάσταση και τη ζυγοστάθμιση της λεπίδας σε ένα κέντρο σέρβις. Αν χτυπήσετε κάποιο εμπόδιο και σταματήσει το προϊόν, αντικαταστήστε τη φθαρμένη λεπίδα. Το κέντρο σέρβις θα αξιολογήσει αν η λεπίδα μπορεί να ακονιστεί ή πρέπει να αντικατασταθεί.

Αντικατάσταση της λεπίδας

Ανατρέξτε στην ενότητα Τεχνικά στοιχεία στη σελίδα 102 για τον σωστό τύπο λεπίδας.



ΠΡΟΕΙΔΟΠΟΙΗΣΗ: Ασφαλίστε τη λεπίδα με ένα κομμάτι ξύλο για να αποφύγετε τον τραυματισμό των δαχτύλων σας κατά την αντικατάσταση της λεπίδας. Η λεπίδα μπορεί να μετακινηθεί όταν το μοτέρ είναι σβηστό και τα δάχτυλά σας μπορεί να παγιδευτούν ανάμεσα στη λεπίδα και τα μη κινούμενα εξαρτήματα.

1. Ασφαλίστε τη λεπίδα με έναν ξύλινο τάκο. (Εικ. 33)
2. Αφαιρέστε τη βίδα της λεπίδας, τη ροδέλα του ελατηρίου και τη λεπίδα. (Εικ. 34)
3. Εξετάστε την υποστήριξη και τη βίδα της λεπίδας για να δείτε εάν υπάρχουν φθορές.
4. Βεβαιωθείτε ότι ο άξονας του μοτέρ δεν είναι λυγισμένος.
5. Όταν συνδέετε μια καινούργια λεπίδα, στρέψτε τα άκρα της λεπίδας που σχηματίζουν γωνία προς την κατεύθυνση του καλύμματος κοπής. (Εικ. 35)
6. Βεβαιωθείτε ότι η λεπίδα είναι ευθυγραμμισμένη με το κέντρο του άξονα του μοτέρ.
7. Ασφαλίστε τη λεπίδα με έναν ξύλινο τάκο. Τοποθετήστε τη ροδέλα του ελατηρίου και σφίξτε τη βίδα και τη ροδέλα με ροπή 23–28 Nm. (Εικ. 36) (Εικ. 34)
8. Περιστρέψτε τη λάμα με το χέρι και βεβαιωθείτε ότι μπορεί να περιστραφεί χωρίς προβλήματα.



ΠΡΟΕΙΔΟΠΟΙΗΣΗ:

Χρησιμοποιείτε γάντια βαρέος τύπου. Η λεπίδα είναι πολύ κοφτερή και μπορεί εύκολα να κοπείτε.

9. Εκκινήστε το προϊόν για να δοκιμάσετε τη λεπίδα. Αν η λεπίδα δεν είναι σωστά συνδεδεμένη, θα υπάρχουν κραδασμοί στο προϊόν ή το αποτέλεσμα κοπής δεν θα είναι ικανοποιητικό.

Αντιμετώπιση προβλημάτων

Μπαταρία

Λυχνία LED στην μπαταρία	Αιτία	Λύση
Η πράσινη λυχνία LED αναβοσβήνει.	Η τάση της μπαταρίας είναι χαμηλή.	Φορτίστε την μπαταρία. Ανατρέξτε στην ενότητα Φόρτιση της μπαταρίας στη σελίδα 96.
Η λυχνία LED σφάλματος αναβοσβήνει.	Η μπαταρία έχει χαμηλή στάθμη φόρτισης.	Φορτίστε την μπαταρία. Ανατρέξτε στην ενότητα Φόρτιση της μπαταρίας στη σελίδα 96.
	Η θερμοκρασία στο περιβάλλον εργασίας είναι πολύ υψηλή ή πολύ χαμηλή.	Χρησιμοποιήστε την μπαταρία σε θερμοκρασίες μεταξύ 5 °C και 40 °C.
	Υπέρταση.	Βεβαιωθείτε ότι η τάση του δικτύου ρεύματος είναι ίδια με εκείνη που αναγράφεται στην πινακίδα στοιχείων στο προϊόν. Αφαιρέστε την μπαταρία από το φορτιστή. Περιμένετε 5 δευτερόλεπτα και προσπαθήστε ξανά να φορτίσετε την μπαταρία. Αν το πρόβλημα εξακολουθεί να εμφανίζεται, επικοινωνήστε με έναν εξουσιοδοτημένο αντιπρόσωπο σέρβις.
Η λυχνία LED σφάλματος είναι αναμμένη.	Η διαφορά τάσης μεταξύ των στοιχείων της μπαταρίας είναι πολύ μεγάλη (1 V).	Επικοινωνήστε με έναν εγκεκριμένο αντιπρόσωπο σέρβις.

Φορτιστής μπαταρίας

Λυχνία LED στον φορτιστή της μπαταρίας	Αιτία	Λύση
Η λυχνία LED σφάλματος αναβοσβήνει.	Η θερμοκρασία στο περιβάλλον εργασίας είναι πολύ υψηλή ή πολύ χαμηλή.	Χρησιμοποιήστε τον φορτιστή της μπαταρίας σε θερμοκρασίες μεταξύ 5 °C και 40 °C.
Η λυχνία LED σφάλματος είναι αναμμένη.		Επικοινωνήστε με έναν εγκεκριμένο αντιπρόσωπο σέρβις.

ιθούμενο χλοοκοπτικό

Η προειδοποιητική λυχνία (LED σφάλματος) βρίσκεται κάτω από το κάλυμμα της μπαταρίας.

Πρόβλημα	Λυχνία LED σφάλματος (αριθμός αναβοσβήσιματων)	Αιτία	Λύση
Η ενδεικτική λυχνία LED σφάλματος αναβοσβήνει. Το προϊόν δεν λειτουργεί σωστά.	5	Η λεπίδα έχει μπλοκάρει.	Γυρίστε το κλειδί ασφαλείας στη θέση 0 για να εμποδίσετε την ακούσια εκκίνηση. Αφαιρέστε την μπαταρία και περιμένετε τουλάχιστον 5 δευτερόλεπτα. Αφαιρέστε τυχόν εμπόδια και βεβαιωθείτε ότι η λεπίδα μπορεί να περιστραφεί ελεύθερα. Αν το πρόβλημα εξακολουθεί να εμφανίζεται, επικοινωνήστε με έναν εξουσιοδοτημένο αντιπρόσωπο σέρβις.
		Η ταχύτητα του μοτέρ μειώνεται υπερβολικά και το μοτέρ σταματά.	Αυξήστε το ύψος κοπής. Ανατρέξτε στην ενότητα Ρύθμιση του ύψους κοπής στη σελίδα 95.
	10	Το σύστημα ελέγχου του μοτέρ έχει ζεσταθεί πολύ.	Σταματήστε το μοτέρ και περιμένετε μέχρι να κρυώσει.
Η ενδεικτική λυχνία LED σφάλματος αναβοσβήνει. Το προϊόν σταματά να λειτουργεί.	0	Βλάβη συνδέσμου μπαταρίας.	Ελέγξτε τον σύνδεσμο της μπαταρίας.
	3	Υπάρχει υπερφόρτωση στο μοτέρ.	Αυξήστε το ύψος κοπής. Ανατρέξτε στην ενότητα Ρύθμιση του ύψους κοπής στη σελίδα 95.
	8	Η μπαταρία έχει χαμηλή στάθμη φόρτισης.	Φορτίστε την μπαταρία. Ανατρέξτε στην ενότητα Φόρτιση της μπαταρίας στη σελίδα 96.
	9	Σφάλμα μπαταρίας ή έλλειψη σήματος από την μπαταρία.	Τοποθετήστε σωστά την μπαταρία στο προϊόν και ελέγξτε τον σύνδεσμο της μπαταρίας. Αν η λυχνία LED σφάλματος στην μπαταρία αναβοσβήνει. Ανατρέξτε στην ενότητα Κατάσταση μπαταρίας στη σελίδα 96.
	12	Λανθασμένη διαδικασία εκκίνησης. Η λαβή του φρένου του μοτέρ πατήθηκε προτού εκκινηθεί το μοτέρ.	Αφήστε τη λαβή του φρένου του μοτέρ και περιμένετε περίπου 5 δευτερόλεπτα. Πιέστε ξανά τη λαβή του φρένου του μοτέρ προς τα κάτω για να εκκινήσετε το προϊόν.
Άλλα σφάλματα.	Εάν προκύψουν άλλα σφάλματα, γυρίστε το κλειδί ασφαλείας στη θέση 0, αφαιρέστε την μπαταρία και απευθυνθείτε σε έναν εγκεκριμένο αντιπρόσωπο σέρβις.		

Μεταφορά, αποθήκευση και απόρριψη

Εισαγωγή



ΠΡΟΕΙΔΟΠΟΙΗΣΗ: Για να μην εκκινηθεί κατά λάθος το προϊόν κατά τη διάρκεια της μεταφοράς και της αποθήκευσης, γυρίστε το κλειδί ασφαλείας στη θέση 0, αφαιρέστε την μπαταρία και περιμένετε τουλάχιστον για 5 δευτερόλεπτα.

Ρύθμιση του προϊόντος στη θέση μεταφοράς

1. Πιέστε την ασφάλεια ρύθμισης ύψους με το πόδι σας. (Εικ. 37)
2. Τραβήξτε προς τα πάνω τη λαβή και τραβήξτε προς τα έξω την ασφάλεια ρύθμισης ύψους από την εγκοπή.

3. Διπλώστε τη λαβή προς τα εμπρός μέχρι να φτάσει στην τελική της θέση. (Εικ. 38)
4. Διπλώστε την ασφάλεια ρύθμισης ύψους προς το κάλυμμα κοπής. (Εικ. 39)
5. Χαλαρώστε τις χειρόβιδες της λαβής. (Εικ. 40)
6. Διπλώστε την πάνω λαβή προς τα πίσω. (Εικ. 41)

Μεταφορά

- Οι απαιτήσεις της νομοθεσίας περί μεταφοράς επικίνδυνων εμπορευμάτων ισχύει για τις μπαταρίες ιόντων λιθίου που περιλαμβάνονται.
- Για τις εμπορικές μεταφορές πρέπει να τηρούνται οι ειδικές απαιτήσεις που αναγράφονται στη συσκευασία και στις ετικέτες.
- Βεβαιωθείτε ότι τηρείτε τους κανονισμούς για επικίνδυνα υλικά κατά τη μεταφορά του προϊόντος. Μπορεί να ισχύουν τοπικοί κανονισμοί.
- Για τη μεταφορά, πρέπει πάντα να αφαιρείτε την μπαταρία.
- Τοποθετήστε ταινία στους συνδέσμους της μπαταρίας και βεβαιωθείτε ότι η μπαταρία δεν μπορεί να μετακινηθεί κατά τη μεταφορά.
- Στερεώστε το προϊόν κατά τη μεταφορά.

Αποθήκευση

- Πριν από την αποθήκευση, αφήστε το προϊόν να κρυώσει.
- Για την αποθήκευση, πρέπει πάντα να αφαιρείτε την μπαταρία.
- Για την αποφυγή ατυχημάτων, βεβαιωθείτε ότι η μπαταρία δεν είναι συνδεδεμένη στο προϊόν κατά την αποθήκευση.
- Αποθηκεύστε τον φορτιστή της μπαταρίας σε κλειστό χώρο χωρίς υγρασία.
- Αποθηκεύστε την μπαταρία και τον φορτιστή σε χώρο χωρίς υγρασία ή παγετό.
- Αποσυνδέστε την μπαταρία από τον φορτιστή προτού την αποθηκεύσετε.
- Μην αποθηκεύετε την μπαταρία σε χώρους όπου μπορεί να προκληθεί στατικός ηλεκτρισμός. Μην αποθηκεύετε την μπαταρία σε μεταλλικό κουτί.
- Αποθηκεύστε το προϊόν μόνο σε χώρο όπου η θερμοκρασία περιβάλλοντος είναι μεταξύ -10 °C και 40 °C.

- Αποθηκεύστε την μπαταρία σε χώρο όπου η θερμοκρασία κυμαίνεται μεταξύ 5 °C και 25 °C, μακριά από την ηλιακή ακτινοβολία.
- Αποθηκεύστε τον φορτιστή μπαταρίας σε χώρο όπου η θερμοκρασία κυμαίνεται μεταξύ 5 °C και 45 °C, μακριά από την ηλιακή ακτινοβολία.
- Βεβαιωθείτε ότι η μπαταρία είναι φορτισμένη κατά 30% - 50% προτού την αποθηκεύσετε για μεγάλο χρονικό διάστημα.
- Αποθηκεύστε το προϊόν, την μπαταρία και τον φορτιστή μπαταρίας σε χώρο που κλειδώνεται, ώστε να μην έχουν πρόσβαση παιδιά και μη εξουσιοδοτημένα άτομα.
- Καθαρίστε το προϊόν και βεβαιωθείτε ότι ο συλλέκτης χόρτου είναι άδειος.
- Εκτελείτε τις εργασίες συντήρησης που περιγράφονται σε αυτό το εγχειρίδιο χρήσης. Ανατρέξτε στην ενότητα Πρόγραμμα συντήρησης στη σελίδα 98.
- Πραγματοποιήστε πλήρες σέρβις του προϊόντος προτού το αποθηκεύσετε για μεγάλο χρονικό διάστημα.

Απόρριψη

Τα σύμβολα που υπάρχουν πάνω στο προϊόν ή στη συσκευασία του, υποδεικνύουν ότι δεν πρέπει να μεταχειριστείτε το συγκεκριμένο προϊόν ως οικιακό απόρριμμα. Αντιθέτως, πρέπει να το παραδώσετε σε κατάλληλο σταθμό ανακύκλωσης για ανάκτηση του ηλεκτρικού και ηλεκτρονικού εξοπλισμού.

Εξασφαλίζοντας τη σωστή απόρριψη του προϊόντος, συνεισφέρετε στην αντιμετώπιση πιθανών αρνητικών επιπτώσεων που θα μπορούσε να έχει στο περιβάλλον και τους ανθρώπους η λανθασμένη απόρριψη αυτού του προϊόντος. Για περισσότερες πληροφορίες σχετικά με την ανακύκλωση αυτού του προϊόντος, απευθυνθείτε στο δήμο σας, την τοπική υπηρεσία συλλογής απορριμμάτων ή το κατάστημα από το οποίο αγοράσατε το προϊόν.

(Εικ. 42)

Τεχνικά στοιχεία

	LB 144i
Μοτέρ κοπής	
Τύπος μοτέρ	BLDC (χωρίς ψήκτρες) 36V
Ταχύτητα κινητήρα - Λειτουργία Save, σ.α.λ.	2600/λεπτό
Ταχύτητα μοτέρ - Ονομαστική, σ.α.λ.	3200/λεπτό

	LB 144i
Ταχύτητα μοτέρ - Υψηλό φορτίο, σ.α.λ.	3500/λεπτό
Ισχύς μοτέρ – μέγ. kW	0,9
Ισχύς μοτέρ - Ονομαστική, kW	0,75
Μοτέρ πορείας	
Ισχύς μοτέρ - Ονομαστική, kW	Δ/Υ
Ταχύτητα αυτόματης πορείας, km/h	Δ/Υ
Επίπεδα ρύθμισης ταχύτητας	Δ/Υ
Βάρος	
Βάρος (χωρίς μπαταρία), κιλά	15,5
Βάρος (περιλαμβάνεται 1 x BLi30), kg	17,5
Μπαταρία	
Τύπος μπαταρίας	Σειρά μπαταριών της Husqvarna
Χρόνος λειτουργίας μπαταρίας	
Χρόνος λειτουργίας μπαταρίας, λεπτά, (ελεύθερη λειτουργία) με ενεργοποιημένη τη λειτουργία εξοικονόμησης SavE, με μία μπαταρία (BLi30) 7,5 Ah της Husqvarna.	170
Χρόνος λειτουργίας μπαταρίας, λεπτά, (ελεύθερη λειτουργία) με ενεργοποιημένη την τυπική λειτουργία, με μία μπαταρία (BLi30) 7,5 Ah της Husqvarna.	135
Εκπομπές θορύβου ¹⁶	
Στάθμη ηχητικής ισχύος, μετρούμενη τιμή σε dB (A)	90
Στάθμη ηχητικής ισχύος, εγγυημένη L_{WA} dB (A)	92
Στάθμες ήχου ¹⁷	
Στάθμη ηχητικής πίεσης στο αυτί του χειριστή, σε dB (A)	77
Στάθμες κραδασμών ¹⁸	
Λαβή, m/s^2	0,7
Εξοπλισμός κοπής	
Ύψος κοπής, mm	25-75
Πλάτος κοπής, cm	44
Λεπίδα, βασικός εξοπλισμός	Χορτολίπασμα 5298073-10
Λεπίδα, αξεσουάρ	Δ/Υ

¹⁶ Οι εκπομπές θορύβου στο περιβάλλον μετρούνται ως ηχητική ισχύς (L_{WA}) σε συμμόρφωση με την Οδηγία 2000/14/ΕΚ.

¹⁷ Ο συντελεστής αβεβαιότητας (K) των αναφερόμενων δεδομένων για το επίπεδο πίεσης θορύβου είναι 1,5 dB (A).

¹⁸ Ο συντελεστής αβεβαιότητας (K) των αναφερόμενων δεδομένων για τη στάθμη δόνησης είναι 1,5 m/s^2 . Η δηλωθείσα συνολική τιμή κραδασμών μετρήθηκε σύμφωνα με το πρότυπο EN 62841-4-3, Παράρτημα I, και μπορεί να χρησιμοποιηθεί για τη σύγκριση μηχανημάτων και στην προκαταρκτική αξιολόγηση της έκθεσης.

Εγκεκριμένες μπαταρίες	Τύπος	Χωρητικότητα μπαταρίας, Ah	Τάση, V	Βάρος, lb/kg
40-B140	Ιόντων λιθίου	4,0	36	2,6/1,2
BLi30	Ιόντων λιθίου	7,5	36	4,2/1,9

Εγκεκριμένοι φορτιστές για προδιαγραφόμενες μπαταρίες, BLi	Τάση εισόδου, V	Συχνότητα, Hz	Ισχύς, W
40-C80	100-240	50-60	68,8
QC250	220-240	50	250

Δήλωση συμμόρφωσης

Δήλωση συμμόρφωσης ΕΕ

Εμείς, η Husqvarna AB, SE - 561 82 Huskvarna, Σουηδία,
τηλ.: +46-36-146500, δηλώνουμε με αποκλειστική μας
ευθύνη ότι το προϊόν:

Περιγραφή	Ωθούμενο χλοοκοπτικό
Μάρκα	Husqvarna
Τύπος / Μοντέλο	LB 144i
Αναγνώριση	Αριθμοί σειράς με ημερομηνία από το 2022 και έπειτα

συμμορφώνεται πλήρως με τις ακόλουθες οδηγίες και
τους κανονισμούς της ΕΕ:

Κανονισμός	Περιγραφή
2006/42/EK	"σχετικά με τα μηχανήματα"
2014/30/EE	"σχετικά με την ηλεκτρομαγνητική συμβατότητα"
2000/14/EK	"σχετικά με τις εκπομπές θορύβου στο περιβάλλον"
2011/65/EE	"σχετικά με τον περιορισμό της χρήσης ορισμένων επικίνδυνων ουσιών σε είδη ηλεκτρικού και ηλεκτρονικού εξοπλισμού"

και ότι εφαρμόζονται τα παρακάτω πρότυπα ή/και
τεχνικές προδιαγραφές: EN 62841-1:2015/AC:2015, EN
IEC 62841-4-3:2021/A11:2021, EN ISO 12100:2010,
EN 55014-1:2021, EN 55014-2:2021, EN IEC
61000-6-2:2019, EN IEC 61000-6-3:2021, EN IEC
63000:2018

Κοινοποιημένος φορέας: O 0404, RISE SMP Svensk
Maskinprovning AB, Box 4053, SE-904 03 Umeå,
Sweden έχει πιστοποιήσει τη συμμόρφωση με
την οδηγία 2000/14/EK του Συμβουλίου, διαδικασία
αξιολόγησης συμμόρφωσης: Παράρτημα VI.

Για πληροφορίες σχετικά με τις εκπομπές θορύβου,
ανατρέξτε στην ενότητα Τεχνικά στοιχεία στη σελίδα 102.

Huskvarna, 2022-12-05



Claes Losdal, Υπεύθυνος ανάπτυξης/Προϊόντα κήπου
Husqvarna AB

Υπεύθυνος για την τεχνική τεκμηρίωση



Contenido

Introducción.....	106	Resolución de problemas.....	117
Seguridad.....	107	Transporte, almacenamiento y eliminación.....	119
Montaje.....	112	Datos técnicos.....	120
Funcionamiento.....	113	Declaración de conformidad.....	122
Mantenimiento.....	115		

Introducción

Descripción del producto

El producto es un cortacésped giratorio conducido a pie que utiliza BioClip para cortar la hierba y convertirla en fertilizante.

Descripción del producto

(Fig. 1)

1. Manillar
2. Palanca del freno del motor
3. Inhibidor de arranque
4. Asas de elevación
5. Equipo de corte
6. Palanca de altura de corte
7. Llave de seguridad
8. Tapa de la batería
9. Palanca de ajuste de altura del manillar
10. Botón Save
11. Indicador de advertencia (LED de error)
12. Manual de usuario
13. Cargador de batería (accesorio)
14. Batería (accesorio)

Símbolos que aparecen en el producto

(Fig. 2) ADVERTENCIA

(Fig. 3) Lea las instrucciones.

(Fig. 4) ADVERTENCIA: Tenga cuidado con los objetos que salen despedidos.

(Fig. 5) Mantenga alejados a los transeúntes.

(Fig. 6) ADVERTENCIA: Mantenga los pies y las manos alejados de las cuchillas.

(Fig. 7) ADVERTENCIA: Desconecte la batería antes de realizar el mantenimiento.

(Fig. 8) Ni el producto ni su embalaje son residuos domésticos. Recíclelos en un centro de reciclaje para equipos eléctricos y electrónicos.

Uso previsto

Utilice el producto para cortar hierba. No utilice el producto para otras tareas.

(Fig. 9) Etiqueta de emisiones sonoras al medio ambiente conforme con las directivas y normativas europeas y del Reino Unido, y con la regulación de 2017 sobre de protección del medioambiente (control de ruidos) (Protection of the Environment Operations - Noise Control) de la legislación de Nueva Gales del Sur. El nivel de potencia acústica garantizado del producto se especifica en el apartado Datos técnicos en la página 120 y en la etiqueta.

(Fig. 10) Este equipo cumple con las directivas CE vigentes.

(Fig. 11) Este producto cumple con las directivas del Reino Unido vigentes.

(Fig. 12) El producto está protegido contra salpicaduras.

(Fig. 13) Suelte la palanca del freno del motor para detenerse.

(Fig. 14) Código escaneable.

Nota: Los demás símbolos y etiquetas que aparecen en el producto corresponden a requisitos de homologación específicos en algunos mercados.

Responsabilidad sobre el producto

Como se estipula en las leyes de responsabilidad del producto, no nos hacemos responsables de los daños y perjuicios causados por nuestro producto si:

- El producto se ha reparado incorrectamente.
- El producto se ha reparado con piezas que no eran del fabricante o no autorizadas por el fabricante.

- El producto tiene un accesorio que no es del fabricante o no está autorizado por este.
- El producto no se ha reparado en un centro de servicio autorizado o por un organismo homologado.

Seguridad

Definiciones de seguridad

Las advertencias, precauciones y notas se utilizan para destacar información especialmente importante del manual.



ADVERTENCIA: Indica un riesgo de lesiones o incluso de muerte del usuario o de las personas cercanas si no se respetan las instrucciones del manual.



PRECAUCIÓN: Indica un riesgo de daños en el producto, otros materiales o el área adyacente si no se respetan las instrucciones del manual.

Nota: Se usa para proporcionar más información necesaria en una situación determinada.

Instrucciones generales de seguridad del producto



ADVERTENCIA: Lea todas las advertencias de seguridad, instrucciones, ilustraciones y especificaciones que se incluyen con este producto. Si no se siguen las instrucciones que aparecen a continuación, puede producirse una descarga eléctrica, un incendio o lesiones graves.

Conservar todas las advertencias e instrucciones para su consulta. El término «producto» empleado en las advertencias hace referencia tanto al producto que funciona con conexión eléctrica a la red (con cable) como al que funciona con batería (inalámbrico).

Seguridad en el área de trabajo

- Mantenga el área de trabajo limpia y bien iluminada. Las zonas abarrotadas de cosas u oscuras favorecen los accidentes.
- No utilice el producto en ambientes explosivos como aquellos en los que hay líquidos, gases o polvo inflamables. El producto produce chispas que pueden inflamar el polvo o los vapores.
- Mantenga alejados a los niños y a otras personas mientras utiliza el producto. Las distracciones pueden hacer que pierda el control de esta.

Seguridad eléctrica

- El enchufe del producto debe ser apto para la toma de corriente utilizada. Nunca modifique el enchufe.

No utilice adaptadores en productos con conexión a tierra. Los enchufes sin modificar y las tomas de corriente del mismo tipo ayudan a reducir el riesgo de descarga eléctrica.

- Evite el contacto de su cuerpo con superficies puestas a tierra como tuberías, radiadores, cocinas y neveras. Si su cuerpo está en contacto con el suelo, existe un mayor riesgo de descarga eléctrica.
- No exponga el producto a la lluvia ni a ambientes húmedos. Si entra agua en el producto, aumentará el riesgo de recibir descargas eléctricas.
- Maneje el cable con cuidado. No lo utilice nunca para transportar el producto, tirar de él o desenchufarlo. Manténgalo alejado de fuentes de calor, aceite, aristas vivas o piezas móviles. Los cables dañados o enredados incrementan el riesgo de descarga eléctrica.
- Cuando trabaje con un producto en exteriores, utilice un alargador apto para exteriores. Utilizar un cable adecuado para su uso en exteriores reduce el riesgo de descarga eléctrica.
- Si es necesario utilizar el producto en un lugar húmedo, utilice un interruptor diferencial como protección. La utilización de un interruptor diferencial reduce el riesgo de descargas eléctricas.

Seguridad personal

- Esté siempre atento, fíjese en lo que está haciendo y utilice el sentido común cuando maneje el producto. No utilice el producto si está cansado o bajo los efectos de estupefacientes, alcohol o medicamentos. Un momento de descuido puede causar lesiones graves.
- Utilice el equipo de protección personal. Protéjase siempre los ojos. El equipo de protección, como la mascarilla antipolvo, los zapatos de seguridad antideslizantes, el casco o los protectores auditivos, utilizados en función de las condiciones de trabajo, reducirá el riesgo de lesiones.
- Evite el encendido accidental de la herramienta. Asegúrese de que el interruptor está en la posición de apagado antes de conectar el producto a la fuente de alimentación o la batería, cogerlo o transportarlo. Transportar el producto con el dedo puesto sobre el interruptor o conectar la alimentación con el interruptor en la posición de encendido puede provocar accidentes.
- Quite todas las clavijas de ajuste o llaves de tuercas antes de encender el producto. Una llave de tuercas o clavija de ajuste que se ha dejado colocada en una pieza giratoria del producto puede causar lesiones.
- No se estire demasiado. Mantenga una posición correcta y el equilibrio en todo momento. Así

podrá controlar mejor el producto en situaciones imprevistas.

- **Utilice la ropa adecuada. No utilice nunca ropa amplia ni joyas. Mantenga el pelo y la ropa alejados de las piezas móviles.** La ropa holgada, las joyas o el pelo largo pueden quedar atrapados en las piezas móviles.
- **Si se suministran equipos de aspiración o captación de polvo, asegúrese de que estén conectados y se utilicen correctamente.** El uso de estos equipos puede reducir los riesgos derivados del polvo.
- **Evite que la familiaridad adquirida con el uso frecuente del producto le lleve a confiarse e ignorar las medidas de seguridad del mismo.** Una acción negligente puede causar lesiones graves en una fracción de segundo.

Uso y cuidado del producto

- **No fuerce el producto. Utilice el producto adecuado para el trabajo que deba realizar.** Con el producto apropiado hará el trabajo mejor y con mayor seguridad a la potencia para la que fue diseñado.
- **No utilice el producto si el interruptor no funciona.** Los productos que no se puedan controlar con el interruptor son peligrosos y deben repararse.
- **Desconecte el enchufe de la fuente de alimentación o quite la batería del producto, si se puede, antes de realizar cualquier ajuste, cambiar accesorios o guardar el producto.** Las medidas de seguridad preventivas reducen el riesgo de poner en marcha el producto de forma accidental.
- **Si no utiliza el producto, guárdelo fuera del alcance de los niños y no permita que personas no familiarizadas con su uso o con estas instrucciones lo manejen.** El producto puede ser peligroso en manos de usuarios no cualificados.
- **Efectúe el mantenimiento del producto y de los accesorios. Compruebe que no haya partes móviles mal alineadas o trabadas, piezas rotas o cualquier otra circunstancia que pueda afectar al funcionamiento del producto.** Si detecta daños, lleve el producto a reparar antes de usarlo. Muchos accidentes se deben al uso de productos que carecen de un mantenimiento adecuado.
- **Mantenga las herramientas de corte afiladas y limpias.** Las herramientas de corte con aristas afiladas y un mantenimiento adecuado tienen menos probabilidades de trabarse y son más fáciles de controlar.
- **Utilice el producto, accesorios, útiles, etc., según se indica en estas instrucciones, teniendo en cuenta las condiciones de trabajo y la tarea que debe realizar.** El uso del producto para trabajos distintos a aquellos para los que fue diseñado podría dar lugar a situaciones peligrosas.
- **Mantenga los mangos y superficies de agarre secos, limpios y sin aceite ni grasa.** Las superficies de agarre y los mangos resbaladizos no permiten manejar y controlar de forma segura el producto ante cualquier imprevisto.

Uso y cuidado de la herramienta con batería

- **Efectúe las recargas únicamente con el cargador especificado por el fabricante.** Un cargador apto para un tipo de batería puede comportar riesgo de incendio al utilizarse con otra batería distinta.
- **Utilice los productos exclusivamente con su batería específica.** El uso de otra batería puede comportar riesgo de lesiones e incendio.
- **Cuando no utilice la batería, manténgala alejada de objetos metálicos que puedan conectar un terminal a otro, como clips, monedas, llaves, clavos, tornillos u otros objetos metálicos pequeños.** Un cortocircuito en los terminales de la batería puede causar quemaduras o un incendio.
- **En condiciones extremas, el líquido puede salir expulsado de la batería; evite cualquier contacto.** Si se produjera un contacto accidentalmente, enjuáguese con agua. Además, si el líquido entra en contacto con los ojos, busque asistencia médica. El líquido expulsado de la batería puede causar irritaciones o quemaduras.
- **No utilice una batería o herramienta defectuosa, dañada o modificada.** Las baterías dañadas o modificadas pueden comportarse de forma impredecible y provocar incendios, explosiones o riesgo de lesiones.
- **No exponga la batería o la herramienta al fuego ni a temperaturas excesivas.** La exposición al fuego o a temperaturas superiores a 130 °C/265 °F puede causar una explosión.
- **Siga todas las instrucciones de carga y no cargue la batería o herramienta fuera del rango de temperatura especificado en las instrucciones.** La carga incorrecta o a temperaturas fuera del intervalo especificado puede dañar la batería y aumentar el riesgo de incendio.

Servicio

- **Solo técnicos cualificados que utilicen piezas de repuesto originales deben llevar a cabo las tareas de mantenimiento del producto.** De este modo se garantiza la seguridad del producto.
- **No revise baterías dañadas.** La revisión de las baterías solo debe realizarla el fabricante o un proveedor de servicio autorizado.

Advertencias de seguridad sobre el cortacésped

- **No utilice el cortacésped con condiciones meteorológicas adversas, especialmente si hay riesgo de tormenta eléctrica.** Así disminuirá el riesgo de recibir un rayo.
- **Inspeccione a fondo la zona donde se va a utilizar el cortacésped por si hubiera animales.** El cortacésped puede ser peligroso para los animales durante su funcionamiento.
- **Inspeccione a fondo la zona donde va a utilizar el cortacésped y retire todas las piedras, palos, alambres, huesos y cualquier otro objeto extraño.**

Los objetos que salen despedidos pueden provocar lesiones.

- **Antes de utilizar el cortacésped, inspecciónelo visualmente para comprobar que la cuchilla y el conjunto de la cuchilla no están desgastados ni dañados.** Las piezas dañadas o desgastadas aumentan el riesgo de lesiones.
- **Compruebe el recogedor de césped con frecuencia para ver si presenta desgaste o deterioro.** Un recogedor de césped desgastado o dañado puede aumentar el riesgo de lesiones.
- **Mantenga las protecciones colocadas en su lugar. Las protecciones deben estar en buen estado y montadas correctamente.** Una protección suelta, dañada o que no funcione correctamente puede provocar lesiones.
- **Mantenga las entradas de refrigeración limpias de todo tipo de suciedad.** Las entradas de aire obstruidas y los residuos pueden provocar el sobrecalentamiento de la máquina o riesgo de incendio.
- **Durante el funcionamiento del cortacésped, use siempre calzado antideslizante y de protección. No utilice el cortacésped sin calzado o con sandalias abiertas.** Así reducirá la posibilidad de sufrir lesiones en los pies por contacto con la cuchilla.
- **Cuando utilice el cortacésped, use siempre pantalones largos.** La piel expuesta aumenta la probabilidad de sufrir lesiones por objetos que pueden salir despedidos.
- **No utilice el cortacésped en hierba húmeda. Camine, en ningún caso corra.** Así reducirá el riesgo de resbalones y caídas, lo que puede provocar lesiones.
- **No utilice el cortacésped en pendientes excesivamente pronunciadas.** Así reducirá el riesgo de perder el control, resbalar o caer, lo que puede provocar lesiones.
- **Cuando trabaje en pendientes, asegúrese siempre de tener los pies firmemente asentados, trabaje siempre en perpendicular a la superficie de las pendientes, nunca hacia arriba o hacia abajo, y extremar la precaución al cambiar de dirección.** Así reducirá el riesgo de perder el control, resbalar o caer, lo que puede provocar lesiones.
- **Sea extremadamente prudente cuando dé marcha atrás o tire del cortacésped hacia usted. Sea siempre consciente del espacio que le rodea.** Así reducirá el riesgo de tropezar durante el uso de la máquina.
- **No toque las cuchillas ni otras piezas peligrosas mientras estén en movimiento.** Así reducirá el riesgo de sufrir lesiones por contacto con piezas móviles.
- **Al retirar material atascado o limpiar el cortacésped, asegúrese de que todos los interruptores de alimentación estén apagados y el cable de alimentación esté desconectado.** El funcionamiento imprevisto del cortacésped puede provocar lesiones graves.

Interruptor diferencial

- Utilice un interruptor diferencial con una corriente de activación máxima de 30 mA.

Instrucciones generales de seguridad



ADVERTENCIA: Lea las siguientes instrucciones de advertencia antes de utilizar el producto.

- Este producto es una herramienta peligrosa si se usa incorrectamente o si no se tiene cuidado. Puede causar lesiones graves o incluso la muerte si no siguen las instrucciones de seguridad.
- Este producto genera un campo electromagnético durante el funcionamiento. Este campo puede, en determinadas circunstancias, interferir en implantes médicos activos o pasivos. Para reducir el riesgo de que se den condiciones que provocarían lesiones graves o letales, las personas que utilizan implantes médicos deben consultar con su médico y con el fabricante del implante antes de poner en marcha este producto.
- Proceda siempre con cuidado y utilice siempre el sentido común. Si no está seguro de cómo manejar el producto en una situación especial, pare y consulte con su distribuidor Husqvarna antes de continuar.
- Tenga en cuenta que el usuario será el responsable de los accidentes que involucren a otras personas o a su propiedad.
- Mantenga el producto limpio. Asegúrese de que puede leer claramente las etiquetas.
- No permita que niños ni adultos que no estén familiarizados con estas instrucciones utilicen el aparato. La legislación local puede restringir la edad del operador.
- Si una persona con discapacidad física o mental usa el producto, asegúrese de supervisarla en todo momento. Debe haber presente en todo momento una persona mayor de edad responsable.
- No utilice el producto si está cansado, enfermo o si se encuentra bajo los efectos de alcohol, drogas o medicamentos. Esto tiene un efecto negativo en su visión, vigilancia, coordinación y capacidad de decisión.
- No utilice el producto si está defectuoso.
- No modifique este producto ni lo utilice si puede haber sido modificado por otras personas.

Seguridad en el trabajo



ADVERTENCIA: Lea las siguientes instrucciones de advertencia antes de utilizar el producto.

- Utilice este producto para cortar solamente césped. No está permitido utilizar el producto para otras tareas.

- Utilice el equipo de protección personal. Consulte la sección Equipo de protección personal en la página 110.
- Asegúrese de que sabe cómo detener el motor rápidamente en caso de emergencia.
- No utilice el producto bajo la lluvia ni en ambientes húmedos. El riesgo de sacudida eléctrica aumenta si entra agua en el producto.
- No utilice el producto a menos que la cuchilla y todas las cubiertas estén fijadas correctamente. Una cuchilla fijada incorrectamente puede soltarse y provocar daños personales.
- Asegúrese de que la cuchilla no golpea ningún objeto, como piedras y raíces. Esto puede causar daños a la cuchilla y doblar el eje del motor. Un eje doblado causa vibraciones excesivas y un riesgo muy alto de que la cuchilla se suelte.
- Si la cuchilla choca con algún objeto o si se producen vibraciones, pare el producto inmediatamente. Detenga el motor, gire la llave de seguridad a la posición 0 y retire la batería. Espere hasta que las piezas móviles se detengan. Examine el producto para comprobar si presenta daños. Apriete las piezas sueltas. Repare los daños y cambie las piezas dañadas. Lleve el cortacésped a un taller de servicio homologado para que hagan las reparaciones.
- No acople la palanca del freno del motor permanentemente al manillar cuando el motor esté encendido.
- Ponga el producto en una superficie plana y estable, y arránquelo. Asegúrese de que la cuchilla no entre en contacto con el suelo u otros objetos.
- Manténgase siempre detrás del producto durante su uso.
- Mientras utilice el producto, mantenga todas las ruedas apoyadas en el suelo y las dos manos en el manillar. Mantenga alejados las manos y los pies de las hojas giratorias.
- No incline el producto cuando arranque el motor ni durante su uso.
- Tenga cuidado cuando tire del producto hacia atrás.
- Nunca levante el producto con el motor en marcha. Si tiene que levantar el producto, en primer lugar detenga el motor, gire la llave de seguridad a la posición 0 y retire la batería.
- No camine hacia atrás mientras utiliza el producto.
- Pare el motor cuando sea necesario inclinar el producto para transportarlo o para llevarlo por zonas sin hierba, como caminos de grava, piedra y asfalto.
- No corra con el producto con el motor en marcha. Camine siempre mientras utiliza el producto.
- Detenga el motor antes de cambiar la altura de corte. Nunca realice ajustes con el motor en marcha.
- No deje el producto desatendido con el motor en marcha. Pare el motor y asegúrese de que el equipo de corte no gire.
- Las vibraciones del producto durante el funcionamiento pueden ser diferentes del valor de

vibraciones declarado en Datos técnicos en la página 120. La diferencia se debe a las variaciones en la forma en la que se utiliza el producto. Si utiliza el producto con frecuencia o durante largos periodos de tiempo, haga descansos con frecuencia para evitar lesiones por vibraciones.

Instrucciones de seguridad para el funcionamiento

Equipo de protección personal



ADVERTENCIA: Lea las siguientes instrucciones de advertencia antes de utilizar el producto.

- El equipo de protección personal no elimina completamente el riesgo de lesiones, pero reduce la gravedad de las lesiones en caso de accidente. Deje que el distribuidor le ayude a seleccionar el equipo adecuado.
- Utilice botas o zapatos de trabajo antideslizantes. No utilice calzado abierto ni vaya descalzo.
- Utilice pantalones largos gruesos.
- Utilice guantes protectores cuando sea necesario, por ejemplo, para el montaje, inspección o limpieza del equipo de corte.
- Recomendamos utilizar protectores auriculares.

Dispositivos de seguridad en el producto



ADVERTENCIA: Lea las siguientes instrucciones de advertencia antes de utilizar el producto.

- No utilice un producto que tenga dispositivos de seguridad defectuosos.
- No retire los dispositivos de seguridad ni realice cambios en ellos.
- Realice una comprobación de los dispositivos de seguridad con frecuencia. Si los dispositivos de seguridad están defectuosos, hable con su taller de servicio Husqvarna.

Comprobación de la cubierta del equipo de corte

La cubierta del equipo de corte disminuye las vibraciones en el producto y el riesgo de lesiones provocadas por la cuchilla.

- Examine la cubierta de corte para asegurarse de que no haya daños como, por ejemplo, grietas.

Comprobación de la llave de seguridad

La llave de seguridad se encuentra debajo de la tapa de la batería. La llave de seguridad conecta la batería que suministra electricidad al motor.

- Arranque y detenga el motor para realizar una comprobación de la llave de seguridad.

- Si la llave de seguridad funciona correctamente, el motor solo arranca cuando la llave está en la posición 1. (Fig. 15)

Comprobación de la maneta de freno del motor

La maneta del freno del motor detiene el motor. Cuando se suelta la maneta del freno del motor, el motor se para.

- Arranque el producto. Consulte la sección Puesta en marcha del producto en la página 114.
- Suelte la palanca del freno del motor. (Fig. 16)
- Asegúrese de que el producto se detiene. Si el motor no se detiene en 3 segundos, lleve el producto a un taller de servicio Husqvarna autorizado para realizar el ajuste del freno del motor.

Comprobación del inhibidor de arranque

Compruebe el inhibidor de arranque para verificar que evita el funcionamiento del motor.

1. Empuje la palanca del freno del motor hacia el manillar. El inhibidor de arranque impide el movimiento.
2. Empuje el inhibidor de arranque hacia fuera. (Fig. 17)
3. Suelte el inhibidor de arranque y asegúrese de que regresa a su posición inicial.

Seguridad de la batería



ADVERTENCIA: Lea las siguientes instrucciones de advertencia antes de utilizar el producto.

- Utilice solamente pilas recargables Husqvarna como fuente de alimentación para otros productos Husqvarna relacionados. Para evitar lesiones, no utilice la batería como fuente de alimentación de otros dispositivos.
- No utilice baterías no recargables.
- Riesgo de descarga eléctrica. No conecte los terminales de la batería a llaves, monedas, tornillos u otros objetos metálicos. Esto puede provocar un cortocircuito en la batería.
- No coloque objetos en las ranuras de ventilación de la batería.
- Mantenga la batería lejos de la luz directa del sol, de fuentes de calor o de llamas abiertas. La batería puede explotar y provocar quemaduras graves y/o quemaduras químicas.
- Mantenga la batería resguardada de la lluvia y la humedad.
- Mantenga la batería lejos de microondas y fuentes de alta presión.
- No intente desmontar o romper la batería.
- Si se produce una fuga en la batería, no permita que el líquido entre en contacto con el cuerpo ni con los

ojos. Si toca el líquido, limpie el área con abundante agua y busque asistencia médica.

- Utilice la batería en el producto únicamente cuando la temperatura ambiente se encuentre entre los 5 °C y los 40 °C.
- Utilice el cargador de la batería únicamente cuando la temperatura ambiente se encuentre entre los 5 °C y los 40 °C.
- La batería no se cargará si su temperatura es superior a 50 °C.
- No limpie la batería o el cargador con agua. Consulte la sección Limpieza de la batería y el cargador de batería en la página 116.
- No utilice una batería defectuosa o dañada.
- Guarde la batería alejada de objetos metálicos, como clavos, monedas o joyas.

Seguridad del cargador de la batería



ADVERTENCIA: Lea las siguientes instrucciones de advertencia antes de utilizar el producto.

- Utilice solamente cargadores de baterías QC para cargar las baterías de repuesto Husqvarna.
- Riesgo de sacudida eléctrica o cortocircuito. No coloque objetos en las ranuras de ventilación del cargador. No intente desmontar el cargador de batería. No conecte los terminales del cargador a objetos metálicos. Utilice una toma de corriente homologada.
- Este producto genera un campo electromagnético durante el funcionamiento. Este campo puede, en determinadas circunstancias, interferir en implantes médicos activos o pasivos. Para reducir el riesgo de que se den condiciones que provocarían lesiones graves o letales, las personas que utilizan implantes médicos deben consultar con su médico y con el fabricante del implante antes de poner en marcha este producto.
- Compruebe con regularidad que el cable de alimentación del cargador de batería no esté dañado ni agrietado.
- No levante el cargador de la batería tirando del cable de alimentación. Para desconectar el cargador de batería de la toma de corriente, tire del enchufe. No tire del cable de alimentación.
- Mantenga el cable de alimentación y los cables de empalme apartados de agua, aceite y cantos agudos. Proceda con cuidado para evitar que el cable se enganche en puertas, vallas o similares. De lo contrario, el cargador podría transmitir corriente.
- No limpie el cargador de la batería con agua.
- Los niños mayores de ocho años y las personas con facultades físicas, psíquicas o sensoriales disminuidas, o sin la experiencia y los conocimientos necesarios pueden usar el cargador de batería si se les supervisa o instruye en lo que respecta al uso seguro del aparato y comprenden los peligros

existentes. Los niños no deben jugar con el cargador de batería. Los niños no deberán llevar a cabo la limpieza ni el mantenimiento del usuario sin supervisión.

- No intente cargar baterías no recargables en el cargador de la batería.
- No utilice el cargador de batería cerca de materiales inflamables o corrosivos. No cubra el cargador. Desenchufe el cargador de batería en caso de humareda o incendio.
- No utilice un cargador de batería defectuoso o dañado.
- Solo cargue la batería en interiores si se trata de una estancia con buena ventilación y lejos de la luz solar directa. No cargue la batería en un entorno húmedo.

Instrucciones de seguridad para el mantenimiento



ADVERTENCIA: Lea las siguientes instrucciones de advertencia antes de utilizar el producto.

- Para evitar el arranque accidental durante el mantenimiento, gire la llave de seguridad a la posición 0 y retire la batería. Espere al menos 5 segundos antes de empezar los trabajos de mantenimiento.
- Realice únicamente las tareas de mantenimiento que figuran en este manual de usuario. Las tareas de mayor envergadura y las reparaciones

profesionales se deben realizar en un taller de servicio autorizado. Póngase en contacto con su taller de servicio más cercano para obtener más información.

- Realice los trabajos de mantenimiento correctamente para aumentar la vida útil del producto y reducir el riesgo de accidentes.
- Cambie las piezas dañadas, desgastadas o rotas. Utilice siempre piezas de repuesto originales del fabricante. Si utiliza otras piezas de repuesto podría dañar el producto y aumentaría el riesgo de accidentes.
- No retire los dispositivos de seguridad ni realice cambios en ellos para prevenir lesiones.
- Utilice guantes resistentes al utilizar el equipo de corte. La cuchilla está muy afilada y se pueden producir cortes con mucha facilidad.
- Mantenga los bordes cortantes afilados y limpios para obtener los mejores resultados con la máxima seguridad.
- Diríjase a su taller de servicio para que examine el producto regularmente y para que realice ajustes y reparaciones necesarios.
- Respete las instrucciones correspondientes al cambio de accesorios. Utilice únicamente los accesorios del fabricante.
- Cuando no esté en funcionamiento, mantenga el producto, la batería y cargador de batería aparte en un lugar seco, interior y bajo llave. Asegúrese de que los niños y personas que no cuenten con autorización no puedan acceder al producto, la batería o el cargador de batería.

Montaje

Introducción



ADVERTENCIA: Antes de montar este producto, lea el capítulo sobre seguridad.



ADVERTENCIA: Para evitar un arranque accidental durante el montaje, gire la llave de seguridad hasta la posición 0, retire la batería y espere al menos 5 segundos.

Montaje del manillar

1. Despliegue la parte superior del manillar hacia delante.

2. Apriete las palomillas del manillar. (Fig. 18)
3. Tire de la palanca hacia atrás hasta que esté en la posición final.
4. Tire hacia abajo de la palanca de ajuste de altura y colóquela en la ranura. (Fig. 19)
5. Presione hacia abajo la palanca de ajuste de altura con el pie. (Fig. 20)

Regulación de la altura del manillar

1. Presione la palanca de ajuste de altura con el pie.
2. Coloque el manillar en la posición correcta y suéltelo. (Fig. 21)

Funcionamiento

Introducción



ADVERTENCIA: Antes de utilizar el producto, debe leer y entender el capítulo sobre seguridad.

Husqvarna Connect

Husqvarna Connect es una aplicación gratuita para su dispositivo móvil. La aplicación Husqvarna Connect proporciona más funciones para su producto Husqvarna:

- Información ampliada sobre el producto.
- Información y asistencia sobre piezas y mantenimiento de productos.

Para empezar a utilizar Husqvarna Connect

1. Descargue la aplicación Husqvarna Connect en su dispositivo móvil.
2. Registre una cuenta en la aplicación Husqvarna Connect.
3. Siga las instrucciones de la aplicación Husqvarna Connect para conectarse y registrar el producto.

Ajuste del producto en la posición de funcionamiento

1. Monte el manillar. Consulte Montaje del manillar en la página 112.
2. Regule la altura del manillar. Consulte Regulación de la altura del manillar en la página 112.



PRECAUCIÓN: Asegúrese de que los cables no estén demasiado tensos. Una tensión excesiva puede provocar daños en el cable si el manillar se pliega en la posición de transporte.



ADVERTENCIA: No utilice el producto si el manillar no está completamente desplegado y colocado en la posición de altura correspondiente. Consulte Regulación de la altura del manillar en la página 112.

Ajuste de la altura de corte

La altura de corte puede ajustarse en 6 posiciones diferentes.

1. Pare el motor.
2. Mueva la palanca de altura de corte hacia atrás para aumentar la altura de corte. (Fig. 22)

3. Mueva la palanca de altura de corte hacia delante para reducir la altura de corte.



PRECAUCIÓN: No ajuste una altura de corte demasiado baja. Las cuchillas pueden golpear el suelo si la superficie del césped no está nivelada.

Batería



ADVERTENCIA: Antes de usar la batería, debe leer y entender el capítulo sobre seguridad. También debe leer y comprender el manual de usuario de la batería y el cargador de la batería.

Mantenga la batería y el cargador de la batería en lugares con una temperatura ambiente correcta.

	Temperatura ambiente
Funcionamiento de la batería	5 °C - 40 °C
Carga de la batería	5 °C - 40 °C

Estado de la batería

La pantalla muestra la capacidad restante de la batería y si hay algún problema con la batería. La carga de la batería se muestra durante cinco segundos después de apagar el producto o pulsar el botón del indicador de la batería. El símbolo de advertencia de la batería se enciende cuando se produce un error. Consulte Batería en la página 117.

(Fig. 23)

Indicadores LED	Estado de la batería
Todos los LED están encendidos	Carga completa (75-100 %)
LED 1, LED 2 y LED 3 encendidos	La batería tiene una carga del 50 %-75 %
LED 1 y LED 2 encendidos	La batería tiene una carga del 25 %-50 %
LED 1 encendido	La batería tiene una carga del 0 %-25 %.
El LED 1 parpadea	La batería está descargada. Cargue la batería.

Para cargar la batería

Cargue la batería antes de utilizarla por primera vez. La batería solo tiene un 30 % de carga cuando se entrega al cliente.

Nota: El cargador de la batería debe estar conectado a la tensión y la frecuencia indicadas en la placa de características.

La batería no se cargará si su temperatura es superior a 50 °C. El cargador de batería disminuye la temperatura de la batería antes de empezar a cargarse.

1. Conecte un extremo del cable de alimentación del cargador de batería a la toma de este último.
2. Conecte el otro extremo del cable de alimentación del cargador de batería a un enchufe de corriente con toma de tierra. El LED del cargador de batería parpadea de color verde una vez. (Fig. 24)
3. Coloque la batería en el cargador. La luz verde del cargador se enciende cuando la batería está conectada correctamente al cargador de batería. (Fig. 25)
4. Cuando todos los LED de la batería se hayan encendido, la batería estará totalmente cargada. Cargue la batería durante un máximo de 24 horas.
5. Para desconectar el cargador de la toma de corriente, tire del enchufe, no del cable de alimentación.
6. Retire la batería del cargador.

Estado de la carga de la batería

Husqvarna Las baterías de iones de litio pueden cargarse o utilizarse con cualquier nivel de carga. La batería no sufre daños. Una batería completamente cargada no pierde su carga aun cuando se deje en el cargador.

Indicadores LED	Estado de carga
El LED 1 parpadea	0 %-25 %
LED 1 encendido y LED 2 parpadeando	25 %-50 %
LED 1 y LED 2 encendidos; LED 3 parpadeando.	50 %-75 %
LED 1, LED 2 y LED 3 encendidos; LED 4 parpadeando.	75 %-100 %
LED 1, LED 2, LED 3 y LED 4 encendidos	Completamente cargada

Puesta en marcha del producto

1. Abra la tapa de la batería.
2. Coloque una batería cargada en el compartimento de la batería.

3. Gire la llave de seguridad a la posición 1. (Fig. 26)
4. Permanezca detrás del producto.
5. Afloje el inhibidor de arranque. (Fig. 17)
6. Oprima la palanca del freno del motor contra el manillar. (Fig. 27)

Uso de la función SaveE™

El producto cuenta con una función de ahorro de batería (SaveE™) que le permite funcionar durante más tiempo.

- Coloque el botón SaveE™ en la posición 1 para iniciar la función. (Fig. 28)
- Coloque el botón SaveE™ en la posición 0 para detener la función.

Nota: La función SaveE™ se detiene automáticamente si las condiciones del terreno requieren una mayor potencia. La función SaveE™ se vuelve a activar automáticamente cuando las condiciones del terreno lo permitan.

Función de carga alta

Cuando el producto corta hierba larga o húmeda, el motor aumenta automáticamente las revoluciones. El motor regresa al modo normal cuando no se necesitan cargas altas.

Parada del motor

Durante el funcionamiento, la cuchilla y el motor pueden detenerse temporalmente debido a obstáculos como la acumulación de hierba bajo la cubierta del equipo de corte. Si esto ocurre y mantiene la palanca del freno del motor presionada, el producto arrancará de nuevo automáticamente. Si el producto no vuelve a arrancar en 5-10 segundos, puede que sea necesario limpiar la cubierta del equipo de corte. Consulte Limpieza del producto en la página 116.



ADVERTENCIA: Si el motor se detiene, el producto intentará arrancar automáticamente durante 5-10 segundos. Espere al menos 15 segundos antes de comprobar la cubierta del equipo de corte.



ADVERTENCIA: Antes de inspeccionar la cubierta del equipo de corte, suelte la palanca del freno del motor, gire la llave de seguridad a la posición 0, retire la batería y espere al menos 5 segundos. Si al intentar retirar los obstáculos, el producto se pusiera en marcha accidentalmente, podría sufrir lesiones.

Parada del producto



ADVERTENCIA: Apague la llave de seguridad colocándola en la posición 0 antes de dejar el producto fuera de la vista.

1. Suelte la palanca del freno del motor para detener el motor. (Fig. 29)
2. Abra la tapa de la batería y gire la llave de seguridad hasta 0. (Fig. 30)
3. Para extraer la batería, presione los 2 botones de liberación y tire de ella hacia fuera. (Fig. 31)
4. Cargue la batería si está baja. Para obtener más información, consulte Para cargar la batería en la página 114.

Para obtener un buen resultado

- Use siempre una cuchilla afilada. Un cuchilla roma proporciona un resultado irregular y la superficie de corte de la hierba adquiere un tono amarillo. Una cuchilla afilada también utiliza menos energía que una cuchilla roma.

- No corte más de $\frac{1}{3}$ de la longitud del césped. Corte primero con una altura de corte alta. Examine el resultado y baje la altura de corte al nivel que corresponda. Si la hierba está muy larga, vaya despacio y corte dos veces si es necesario.
- Corte en direcciones distintas cada vez para evitar crear rayas en el césped.
- Mantenga limpia la cubierta del equipo de corte. La acumulación de hierba y suciedad en el interior de esta cubierta puede reducir el resultado del corte. Consulte la sección Limpieza del producto en la página 116.

Mantenimiento

Introducción



ADVERTENCIA: Antes de realizar cualquier trabajo de mantenimiento, debe leer y entender el capítulo sobre seguridad.

Para todos los trabajos de mantenimiento y reparación del producto, es necesario realizar una formación especial. Husqvarna garantiza que los trabajos de mantenimiento y reparación sean realizados por profesionales. Si su distribuidor no es un taller de servicio, pídale información sobre el taller de servicio más cercano.

Para obtener información detallada, consulte www.husqvarna.com.

Programa de mantenimiento

Los intervalos de mantenimiento se calculan a partir del uso diario del producto. Los intervalos cambian si el producto no se utiliza a diario.

Para las tareas de mantenimiento identificadas con un *, consulte las instrucciones de Seguridad en la página 107.

	En cada uso	Mensualmente	Cada temporada
Realice una inspección general.	X		
Limpie el producto.	X		
Limpie el área alrededor de la palanca de ajuste de altura del manillar.	X		
Compruebe el inhibidor de arranque. *	X		
Asegúrese de que los dispositivos de seguridad del producto no estén defectuosos. *	X		
Examine el equipo de corte.	X		
Examine la cubierta del equipo de corte. *	X		
Compruebe la palanca del freno del motor. *	X		

	En cada uso	Mensualmente	Cada temporada
Examine la batería en busca de posibles daños.	X		
Compruebe la carga de la batería.	X		
Asegúrese de que los botones de liberación de la batería funcionan correctamente y que esta se acopla al producto.	X		
Examine el cargador de batería en busca de posibles daños y asegúrese de que funciona correctamente.		X	
Examine las conexiones entre la batería y el producto. Examine también la conexión entre la batería y el cargador de batería.			X

Para realizar una inspección general

- Asegúrese de que las tuercas y los tornillos del producto estén bien apretados.
- Asegúrese de que los cables del producto no están en una posición en la que puedan resultar dañados.

Limpeza del producto

- Limpie las piezas de plástico con un paño limpio y seco.
- No utilice agua para limpiar el producto. El agua puede entrar en la batería o el motor y causar un cortocircuito o daños en el producto.
- No utilice un equipo de limpieza a alta presión para limpiar el producto.
- No vierta agua directamente sobre el motor.
- Use un cepillo para retirar las hojas, la hierba y la suciedad.

Limpeza de la batería y el cargador de batería



ADVERTENCIA: No limpie la batería ni el cargador con agua.



ADVERTENCIA: No utilice sustancias químicas para limpiar la batería.

- Asegúrese de que la batería y el cargador estén limpios y secos antes de colocar la batería en el cargador.
- Limpie los bornes de la batería con aire comprimido o con un paño suave y seco.
- Limpie las superficies de la batería y el cargador con un paño suave y seco.

Limpeza del área alrededor de la palanca de ajuste de altura del manillar

- Use un cepillo para retirar las hojas, la hierba y la suciedad.
(Fig. 32)

Para inspeccionar el equipo de corte



ADVERTENCIA: Para evitar un arranque accidental, gire la llave de seguridad hasta la posición 0, retire la batería y espere al menos 5 segundos.



ADVERTENCIA: Utilice guantes protectores cuando realice el mantenimiento del equipo de corte. La cuchilla está muy afilada y se pueden producir cortes con mucha facilidad.

1. Inspeccione el equipo de corte para comprobar si presenta daños o grietas. Sustituya siempre un equipo de corte dañado.
2. Inspeccione la cuchilla para comprobar si está dañada o roma.

Nota: Después de afilar la cuchilla, es necesario equilibrarla. El afilado, la sustitución y el equilibrado de la cuchilla deben realizarse en un centro de servicio. Si choca con un obstáculo que haga que el producto se pare, sustituya la cuchilla dañada. Lleve el producto a un centro de servicio, donde estimarán si la cuchilla puede afilarse o debe sustituirse.

Sustitución de la cuchilla

Consulte Datos técnicos en la página 120 para saber cuál es el tipo de cuchilla correcto.



ADVERTENCIA: Bloquee la cuchilla con un bloque de madera para evitar lesiones en los dedos mientras la sustituye.

La cuchilla podría moverse con el motor apagado y los dedos podrían quedar atrapados entre la cuchilla y las piezas fijas.

1. Bloquee la cuchilla con un bloque de madera. (Fig. 33)
2. Retire el tornillo de la cuchilla, la arandela y la cuchilla. (Fig. 34)
3. Examine el soporte de la cuchilla y el tornillo de la cuchilla para comprobar si presentan daños.
4. Examine el eje del motor para asegurarse de que no está doblado.
5. Cuando instale la nueva cuchilla, colóquela con los extremos en ángulo en dirección a la cubierta del equipo de corte. (Fig. 35)
6. Asegúrese de que la cuchilla quede alineada con el centro del eje del motor.

7. Bloquee la cuchilla con un bloque de madera. Coloque la arandela de presión, y apriete el tornillo y la arandela a un par de 23–28 Nm. (Fig. 36) (Fig. 34)
8. Mueva la cuchilla en distintas direcciones manualmente y compruebe que gira libremente.



ADVERTENCIA: Utilice guantes de protección de alta resistencia. La cuchilla está muy afilada y se pueden producir cortes con mucha facilidad.

9. Arranque el producto para hacer una prueba de la cuchilla. Si la cuchilla no está correctamente fijada, se producirán vibraciones en el producto o el resultado del corte no será satisfactorio.

Resolución de problemas

Batería

Indicador LED de la batería	Causa	Solución
El LED verde parpadea.	La tensión de la batería es baja.	Recargue la batería. Consulte la sección Para cargar la batería en la página 114.
El LED de error parpadea.	La batería está baja.	Recargue la batería. Consulte la sección Para cargar la batería en la página 114.
	La temperatura en el entorno de trabajo es demasiado alta o demasiado baja.	Utilice la batería con temperaturas de entre 5 °C y 40 °C.
	Sobretensión.	Compruebe que la tensión de la red eléctrica es la misma que la que figura en la placa de características del producto. Retire la batería del cargador. Espere 5 segundos y vuelva a intentar cargar la batería. Si el problema persiste, diríjase a un taller de servicio autorizado.
El LED de error está encendido.	La diferencia entre las celdas es demasiado grande (1 V).	Acuda a un taller de servicio autorizado.

Cargador de baterías

LED del cargador de batería	Causa	Solución
El LED de error parpadea.	La temperatura en el entorno de trabajo es demasiado alta o demasiado baja.	Utilice el cargador de la batería con temperaturas de entre 5 °C y 40 °C.
El LED de error está encendido.		Acuda a un taller de servicio autorizado.

Cortacésped

El indicador de advertencia (LED de error) se encuentra debajo de la tapa de la batería.

Problema	LED de error (número de parpadeos)	Causa	Solución
El LED de error parpadea. El producto no funciona correctamente.	5	La cuchilla está bloqueada.	Gire la llave de seguridad a la posición 0 para evitar un arranque accidental. Extraiga la batería y espere al menos 5 segundos. Retire todos los obstáculos posibles y asegúrese de que la cuchilla pueda girar libremente. Si el problema persiste, diríjase a un taller de servicio autorizado.
		El régimen del motor desciende demasiado y el motor se detiene.	Aumente la altura de corte. Consulte Ajuste de la altura de corte en la página 113.
	10	El control del motor está demasiado caliente.	Detenga el motor y espere hasta que se haya enfriado.
El LED de error parpadea. El producto se detiene.	0	Fallo del conector de la batería.	Examine el conector de la batería.
	3	Se ha producido una sobrecarga en el motor.	Aumente la altura de corte. Consulte Ajuste de la altura de corte en la página 113.
	8	El nivel de carga de la batería es bajo.	Cargue la batería. Consulte Para cargar la batería en la página 114.
	9	Error de batería o ausencia de señal de la batería.	Coloque la batería en el producto correctamente y examine el conector de la batería. Si el LED de error de la batería parpadea. Consulte Estado de la batería en la página 113.
	12	Procedimiento de arranque incorrecto. La palanca del freno del motor se ha activado antes del arranque del motor.	Suelte la palanca del freno del motor y espere aproximadamente 5 segundos. Baje la palanca del freno del motor para volver a arrancar el producto.
Otros errores.	Si se producen otros errores, gire la llave de seguridad a la posición 0, retire la batería y diríjase a un taller de servicio autorizado.		

Transporte, almacenamiento y eliminación

Introducción



ADVERTENCIA: Para evitar un arranque accidental durante el transporte o el almacenamiento, gire la llave de seguridad a la posición 0, retire la batería y espere al menos 5 segundos.

Ajuste del producto en la posición de transporte

1. Presione la palanca de ajuste de altura con el pie. (Fig. 37)
2. Tire del manillar hacia arriba y saque la palanca de ajuste de altura de la ranura.
3. Despliegue la parte superior del manillar hacia delante hasta que alcance la posición final. (Fig. 38)
4. Empuje la palanca de ajuste de altura hacia la cubierta de corte. (Fig. 39)
5. Afloje las palomillas del manillar. (Fig. 40)
6. Despliegue la parte superior del manillar hacia atrás. (Fig. 41)

Transporte

- Las disposiciones de la legislación sobre mercancías peligrosas se aplican a las baterías de iones de litio incluidas en el producto.
- Para los transportes comerciales, se deben acatar los requisitos especiales sobre embalajes y etiquetas.
- Asegúrese de que se cumplan las disposiciones sobre materiales peligrosos cuando prepare el producto para su transporte. Se pueden aplicar las regulaciones locales.
- No olvide extraer la batería para el transporte.
- Coloque cinta aislante en los conectores de la batería y asegúrese de que la batería no se desplace durante el transporte.
- Fije el producto durante el transporte.

Almacenamiento

- Antes de guardarlo, espere a que el producto se enfríe.
- Extraiga siempre la batería para el almacenamiento.
- Para evitar accidentes, asegúrese de que la batería no esté conectada al producto durante el almacenamiento.

- Mantenga el cargador de batería en un lugar cerrado y seco.
- Mantenga la batería y el cargador de batería en un lugar seco donde no haya humedad ni escarcha.
- Cuando guarde la batería, desconéctela del cargador.
- No almacene la batería en lugares donde pueda generarse electricidad estática. No guarde la batería en una caja metálica.
- Cuando guarde el producto, hágalo en un lugar con una temperatura ambiente comprendida entre -10 °C y 40 °C.
- Guarde la batería en un lugar con una temperatura ambiente comprendida entre 5 °C y 25 °C, y protegida de la luz solar.
- Guarde el cargador de la batería en un lugar con una temperatura ambiente comprendida entre 5 °C y 45 °C, y protegido de la luz solar.
- Asegúrese de que la batería esté cargada al 30 %-50 % antes de guardarla durante largos periodos de tiempo.
- Mantenga el producto, la batería y cargador de batería en un lugar bajo llave fuera del alcance de los niños y de personas sin autorización.
- Limpie el producto y no olvide vaciar el recogedor de césped.
- Lleve a cabo las tareas de mantenimiento que se indican en este manual de usuario. Consulte la sección Programa de mantenimiento en la página 115.
- Realice un mantenimiento completo del producto antes de guardarlo durante un largo periodo de tiempo.

Eliminación

Los símbolos del producto o del embalaje del producto indican que este producto no puede desecharse como residuo doméstico. Debe enviarse a una estación de reciclaje apropiada para la recuperación de piezas eléctricas y electrónicas.

Si se asegura de que se trata este producto correctamente, puede ayudar a contrarrestar el posible impacto negativo para el medio ambiente y las personas que podría darse por una gestión incorrecta de los residuos del mismo. Si desea información más detallada sobre el reciclaje de este producto, póngase en contacto con su ayuntamiento, el servicio de recogida de basuras o la tienda donde lo adquirió.

(Fig. 42)

Datos técnicos

	LB 144i
Motor de corte	
Tipo de motor	BLDC (sin escobillas) 36 V
Régimen del motor - SavE, rpm	2600/min.
Régimen del motor (nominal), rpm	3200/min.
Régimen del motor (carga alta), rpm	3500/min.
Potencia del motor (máx.), kW	0,9
Potencia del motor (nominal), kW	0,75
Motor de accionamiento	
Potencia del motor (nominal), kW	N/P
Velocidad de movimiento, km/h	N/P
Niveles de ajuste de velocidad	N/P
Peso	
Peso (sin batería), kg	15,5
Peso (incl. batería BLi30), kg	17,5
Batería	
Tipo de batería	Batería Husqvarna
Duración de la batería	
Autonomía de la batería, min., (funcionamiento continuo) con modo SavE activado, con una batería Husqvarna de 7,5 Ah (BLi30).	170
Autonomía de la batería, min., (funcionamiento continuo) con modo estándar activado, con una batería Husqvarna de 7,5 Ah (BLi30).	135
Emisiones de ruido ¹⁹	
Nivel de potencia acústica medido, dB(A)	90
Nivel de potencia acústica garantizado L _{WA} dB(A)	92
Niveles acústicos ²⁰	
Nivel de presión sonora en el oído del usuario, dB(A)	77
Niveles de vibración ²¹	
Manillar, m/s ²	0,7
Equipo de corte	

¹⁹ Emisiones sonoras en el entorno medidas como potencia acústica (L_{WA}) según la directiva 2000/14/CE.

²⁰ Los datos indicados sobre el nivel de presión acústica tienen un factor de incertidumbre (K) de 1,5 dB(A).

²¹ Los datos indicados sobre los niveles de vibración tienen un factor de incertidumbre (K) de 1,5 m/s². El valor total de vibración indicado se ha medido según el Anexo I de la norma EN 62841-4-3 y puede utilizarse para comparar máquinas y para realizar una evaluación preliminar de la exposición.

	LB 144i
Altura de corte, mm	25-75
Anchura de corte, cm	44
Cuchilla estándar	Mulch 5298073-10
Cuchilla auxiliar	N/P

Baterías homologadas	Tipo	Capacidad de la batería, Ah	Tensión, V	Peso, lb/kg
40-B140	Iones de litio	4,0	36	2,6/1,2
BLi30	Iones de litio	7,5	36	4,2/1,9

Cargadores de batería homologados para las baterías especificadas, BLi	Tensión de entrada, V	Frecuencia, Hz	Potencia, W
40-C80	100-240	50-60	68,8
QC250	220-240	50	250

Declaración de conformidad

Declaración de conformidad CE

Nosotros, **Husqvarna AB**, SE-561 82 Huskvarna (Suecia), tel. +46-36-146500, declaramos bajo nuestra exclusiva responsabilidad que el producto:

Descripción	Cortacésped
Marca	Husqvarna
Tipo/Modelo	LB 144i
Identificación	Números de serie a partir del año 2022

Cumple las siguientes directivas y normas de la UE:

Norma	Descripción
2006/42/CE	"relativa a las máquinas"
2014/30/UE	"relativa a la compatibilidad electromagnética"
2000/14/CE	"relativa a las emisiones sonoras en el entorno"
2011/65/UE	"relativa a restricciones de utilización de determinadas sustancias peligrosas en aparatos eléctricos y electrónicos"

Y que se aplican las especificaciones técnicas o los estándares siguientes: EN 62841-1:2015/AC:2015, EN IEC 62841-4-3:2021/A11:2021, EN ISO 12100:2010, EN 55014-1:2021, EN 55014-2:2021, EN IEC 61000-6-2:2019, EN IEC 61000-6-3:2021, EN IEC 63000:2018

Organismo notificado: 0404, RISE SMP Svensk Maskinprovning AB, Box 4053, SE-904 03 Umeå, Sweden ha certificado la conformidad con la Directiva del Consejo 2000/14/CE, Procedimiento de evaluación de conformidad: Anexo VI.

Para obtener información respecto a las emisiones sonoras, consulte Datos técnicos en la página 120.

Huskvarna, 2022-12-05



Claes Losdal, director de desarrollo/productos para jardín de Husqvarna AB

Responsable de la documentación técnica



Sisukord

Sissejuhatus.....	123	Veaotsing.....	132
Ohutus.....	124	Transportimine, hoiulepanek ja utiliseerimine.....	134
Kokkupanek.....	128	Tehnilised andmed.....	135
Töö.....	129	Vastavusdeklaratsioon.....	137
Hooldamine.....	131		

Sissejuhatus

Toote kirjeldus

Toode on lükatav pöörleva löiketeraga muruniiduk, mis kasutab muru väetiseks lõikamiseks süsteemi BioClip.

Toote tutvustus

(Joon. 1)

1. Käepide / juhtraud
2. Mootori pidurikäepide
3. Käivitustõke
4. Tõstekäpidemed
5. Lõikeosa
6. Lõikekõrguse hoob
7. Ohutusüliti
8. Akukaas
9. Juhtraua kõrguse reguleerimisvarras
10. SavE-nupp
11. Hoiatuse indikaator (tõrke LED-tuli)
12. Kasutusjuhend
13. Akulaadija (lisatarvik)
14. Aku (lisatarvik)

Sümbolid tootel

(Joon. 2) HOIATUS!

(Joon. 3) Lugege läbi juhised.

(Joon. 4) HOIATUS! Olge tähelepanelik paiskuvate esemete suhtes.

(Joon. 5) Hoidke kõrvalseisjad eemale.

(Joon. 6) HOIATUS! Hoidke käed ja jalad teradest eemal.

(Joon. 7) HOIATUS! Enne hooldamist ühendage aku lahti.

(Joon. 8) Toode või toote pakend ei kuulu olmejäätmete hulka. Toimetage

Kasutusotstarve

Kasuta toodet muru pügamiseks. Ära kasuta toodet muude tööde tegemiseks.

see elektri- ja elektroonikajäätmete vastuvõtupunkti.

(Joon. 9) Müramissioonile viitav keskkonnasilt vastavalt ELi ja UK direktiividele ja määrustele ja Uus Lõuna-Walesi õigusaktile „Protection of the Environment Operations (Noise Control) Regulation 2017“. Toote garanteeritud helivõimsuse taseme andmed leiata jaotisest Tehnilised andmed lk 135 ja sildil.

(Joon. 10) See lõikeosa vastab EL-i kehtivatele direktiividele.

(Joon. 11) See toode vastab kehtivatele UK direktiividele.

(Joon. 12) Toode on pritsmekindel.

(Joon. 13) Seiskamiseks vabastage mootori pidurikäepide.

(Joon. 14) Skannitav kood.

Märkus: Ülejäänud seadmel toodud sümbolid/ tähised vastavad teatud riikides kehtivatele sertifitseerimisnõuetele.

Tootevastutus

Tootevastutusseaduste alusel ei vastuta me tootest tingitud kahjustuste eest, kui:

- toodet on valesti parandatud;
- toote parandamisel on kasutatud osi, mis ei ole tootja poolt valmistatud või heaks kiidetud;
- tootel on kasutatud tarvikut, mis ei ole tootja poolt valmistatud või heaks kiidetud;

- toodet ei ole parandatud volitatud hoolduskeskuses või volitatud isiku poolt.

Ohutus

Ohutuse määratlused

Mõistetega „hoiatus“, „ettevaatus“ ja „märkus“ juhitakse tähelepanu eriti olulistele kohtadele kasutusjuhendis.



HOIATUS: Tähistab kasutusjuhendi juhiste eiramise korral kasutaja või kõrvalseisjate kehavigastuse või surmaga lõppeva õnnetuse ohtu.



ETTEVAATUST: Tähistab kasutusjuhendi juhiste eiramise korral seadme, muude esemete või läheduses asuvate objektide kahjustamise ohtu.

Märkus: Tähistab antud olukorras vajalikku lisateavet.

Üldised tooteohutuse hoiatused



HOIATUS: Lugege läbi kõik tootega kaasas olevad hoiatused, juhised, tehnilised andmed ning tutvuge joonistega. Alltoodud juhiste eiramine võib põhjustada elektrilöögi, tulekahju ja/või ohtliku kehavigastuse.

Hoidke kõik ohutusalasel märkused ja juhised edasiseks kasutamiseks alles. Hoiatuses kasutatud mõiste „toode“ tähistab võrgutoitel (juhtmega) elektritööriista või akutoitel (juhtmata) elektritööriista.

Tööala ohutus

- Hoidke tööala puhas ja tagage hea valgustus. Segamini või hämarad alad on õnnetusealltid.
- Ärge kasutage toodet plahvatusohtlikus keskkonnas, näiteks tuleohtlike vedelike, gaaside või tolmu läheduses. Toode võib tekitada sädemeid, mis võivad tolmu või auru süüdata.
- Hoidke toote kasutamise ajal lapsed ja kõrvalseisjad tööalast eemale. Tähelepanu hajumine võib põhjustada kontrolli kaotamist.

Elektriohutus

- Elektritööriista pistikud peavad pistikupesaga ühilduma. Ärge muutke pistikut mis tahes viisil. Ärge kasutage maandusega toodete puhul adapterpistikuid. Muutmata pistikud ja sobivad pistikupesad vähendavad elektrilöögi ohtu.
- Välti kehalist kokkupuudet maandatud pindadega (nt torud, radiaatorid, elektripliidid ja külmikud). Keha maandamise korral on elektrilöögi oht suurem.

- Ärge laske toodet kokku puutuda vihma ega niiskusega. Toote sisse tunginud vesi suurendab elektrilöögiohtu.
- Kasutage juhet õigesti. Ärge kunagi kasutage kaablit toote kandmiseks, tõmbamiseks või pistikupesast eemaldamiseks. Kaitske juhet kuumuse, õli, teravate servade ja liikuvate osade eest. Kahjustatud või sõlmes juhe suurendab elektrilöögi ohtu.
- Tootega õues töötamisel kasutage välistingimustes kasutamiseks sobivat pikendusjuhet. Välistingimustes kasutamiseks sobiva pikendusjuhtme kasutamine vähendab elektrilöögi ohtu.
- Kui toote kasutamine niiskes keskkonnas on vältimatu, kasutage rikkevoolukaitsmega (RCD) kaitsitud toidet. RCD kasutamine vähendab elektrilöögi ohtu.

Inimeste kaitsmine

- Olge toote kasutamisel tähelepanelik, jälgige oma tegevust ja kasutage tervet mõistust. Ärge kasutage toodet, kui olete väsinud või uimastite, alkoholi või ravimite mõju all. Hetkeline tähelepanematus toote kasutamise ajal võib lõppeda raskete kehavigastustega.
- Kasuta isikukaitselahendusi. Kasutage alati kaitseprille. Asjakohastes tingimustes kaitsevahendite (nt tolmu mask, mittelibiisivad turvajalatsid, kiiver või kõrvaklapid) kasutamine vähendab kehavigastuste ohtu.
- Vältige soovimatut käivitumist. Enne toote ühendamist toiteallika ja/või akuga, üles tõstmist või kandmist veenduge, et lüliti oleks väljalülitatud asendis. Kui kannate toodet nii, et sõrm on toitelüliti, või ühendate toote vooluvõrku, kui toitelüliti on sisse lülitatud, võib see lõppeda õnnetusega.
- Eemaldage enne seadme sisselülitamist kõik reguleerimis- ja mutrivõtmed. Seadme pöörleva osa külge jäetud mutri- või muu võti võib tekitada kehavigastusi.
- Ärge küünitage liiga kaugemale. Säilitage oogu aeg kindel jalgealune ja tasakaal. See tagab ootamatutes olukordades seadme üle parema kontrolli.
- Kandke nõuetekohaseid riideid. Ärge kandke lahtiseid rõivaid ega ehteid. Hoidke juukseid ja rõivad liikuvatest osadest eemal. Lahtised rõivad, ehted või pikad juukseid võivad liikuvate osade vahele kinni jääda.
- Kui seadmetel on ühendus tolmuemaldus- ja kogumisseadmetega jaoks, veenduge, et need on ühendatud ja neid kasutatakse õigesti. Tolmukogumise kasutamise abil saab vähendada tolmu seotud ohte.

- Ärge muutuge tööriistade sagedasest kasutusest hooletuks ning ärge eirake tööriistade ohutu kasutamise põhimõtteid. Hooletu tegevus võib ka murdosa sekundi jooksul põhjustada tõsiseid kehavigastusi.
- Väärkasutamise korral võib akust vedelikku lekkida; vältige kokkupuudet. Kokkupuute korral loputage kannatada saanud kohta veega. Kui vedelik satub silma, loputage silma veega ja pöörduge arsti poole. Akust lekkinud vedelik võib põhjustada ärritust või põletushaavu.

Toote kasutamine ja hooldamine

- Ärge koormake toodet üle. Kasutage rakenduse jaoks õiget toodet. Õige toode teeb töö ära paremini, ohutumalt ja ettenähtud kiirusel.
- Ärge kasutage toodet, kui see lülitu vajutamisel ei lülitu sisse ega välja. Mis tahes toode, mida pole võimalik lülitu abil juhtida, on ohtlik ja tuleb viivitamatult parandada.
- Enne toote reguleerimist, tarvikute vahetamist või hoiustamist eemaldage pistik toiteallikast ja/või eemaldage toote küljest aku, kui see on eemaldatav. Taolised ennetavad ohutusmeetmed vähendavad toote tahtmatu käivitamise ohtu.
- Hoidke toodet, mida te parasjagu ei kasuta, lastele kättesaamatus kohas ning ärge lubage toodet kasutada isikutel, kes ei oska seda kasutada või pole neid juhiseid läbi lugenud. Toodet on väljaõppeta kasutajate käes ohtlikud.
- Hooldage tooteid ja lisatarvikuid. Kontrollige liikuvate osade joondust ja kinnitusi, osade puninemist või muid toote kasutamist mõjutada võivaid tegureid. Kahjustuse korral laske seade enne kasutamist remontida. Paljude õnnetuste põhjuseks on toote puudulik hooldus.
- Hoidke löikevahendid teravad ja puhtad. Nõuetekohaselt hooldatud teravate lõikeservadega löikevahendite kinnikiilumise tõenäosus on väiksem ja neid on hõlpsam juhtida.
- Järgige toote, tarvikute, tööriistaosakute jm kasutamisel neid juhiseid ning arvestage töötingimuste ja -ülesandega. Toote kasutamine muuks kui ettenähtud otstarbeks võib põhjustada ohtliku olukorra.
- Hoidke käepidemed ja haardepinnad kuivad, puhtad ning õli- ja määrdevabad. Libedate käepidemete ja haardepindade korral ei ole ootamatutes olukordades võimalik toodet ohutult käsitseda ja juhtida.

Akutööriistade kasutamine ja hooldamine

- Kasutage laadimiseks ainult tootja soovitatud laadijat. Ühte tüüpi aku laadimiseks sobiv laadija võib koos teist tüüpi akuga kasutades tuleohtu põhjustada.
- Kasutage toodetega vaid spetsiaalselt neile loodud akusid. Teisi akukogumeid kasutades riskite vigastuste ja tulekahjuga.
- Kui aku pole hetkel kasutuses, hoidke seda eemal teistest metall-esemetest (nt kirjaklambrid, mündid, võtmed, naelad, kruvid vms väikesed metall-esemed), mis võiksid akuklemme omavahel ühendada. Akuklemmide lühistamine võib põhjustada põletushaavu või tulekahju.

- Ärge kasutage defektset või muudetud akut või tööriista. Kahjustatud või muudetud akut võivad käituda ettearvamatult ning põhjustada tule-, plahvatus- või vigastusohtu.
- Ärge laske akut või tööriistal puutuda kokku tulega või liiga kõrgete temperatuuridega. Kokkupuude üle 130 °C temperatuuriga võib põhjustada plahvatuse.
- Järgige kõiki laadimisjuhiseid ja ärge vahetage akut või tööriista temperatuuril, mis jääb väljapoole juhistes kirjeldatud temperatuurivahemikku. Aku laadimine valesti või väljaspool selleks ettenähtud temperatuurivahemikku võib akut kahjustada ja suurendada tuleohtu.

Teenus

- Laske toodet hooldada kvalifitseeritud remonditehnikul, kasutades ainult identseid varuosi. See tagab toote ohutuse säilimise.
- Ärge kunagi hooldage kahjustatud akusid. Akusid võib hooldada üksnes tootja või volitatud teenusepakkuja.

Muruniiduki ohutusosalased hoiatused

- Ärge kasutage muruniidukit halva ilmaga (eelkõige aikesetormi ajal). See vähendab pikselöögi ohtu.
- Kontrollige põhjalikult, kas muruniiduki kasutuskohas on elusloodud. Muruniiduk võib töötades elusloodust kahjustada.
- Kontrollige hoolikalt muruniiduki kasutukohta ning eemaldage sealt kõik kivid, oksad, traadid, luud ja muud võõrkehad. Õhku paiskuvad esemed võivad tekitada kehavigastusi.
- Enne muruniiduki kasutamist kontrollige alati visuaalselt, et lõiketera, terapolt või terakoost ei oleks kulumud ega kahjustatud. Kulumud või kahjustatud osad suurendavad kehavigastuse ohtu.
- Kontrollige rohukogurit sageli kulumise või kahjustumise suhtes. Kulumud või kahjustatud rohukogur võib suurendada kehavigastuse ohtu.
- Hoidke kaitsmed paigaldatuna. Kaitsmed peavad olema töökorras ja õigesti paigaldatud. Kaitse, mis on lahti tulnud, kahjustunud või ei tööta korralikult, võib tekitada kehavigastusi.
- Hoidke kõik jahutusõhu sisselaskeavad prahist puhtad. Blokeeritud õhu sisselaskeavad ja prahst võivad põhjustada ülekuumenemist või tuleohtu.
- Kandke muruniiduki kasutamisel alati libisemiskindlaid kaitsejalatseid. Ärge kasutage muruniidukit paljajalu ega lahtiste sandaalidega. See vähendab liikuva lõiketeraga kokkupuutel jalalabade vigastusohtu.

- **Kandke muruniidukiga töötamisel alati pikki pükse.** Katmata naha korral suureneb paiskuvatest esemetest tingitud vigastusohu.
- **Muruniidukit ei tohi kasutada märja muru korral. Kõndige ja ärge kunagi jookske.** See vähendab libisemis- ja kukkumisohtu, mis võib lõppeda kehavigastusega.
- **Ärge kasutage muruniidukit liiga järskudel kallakutel.** See vähendab kontrolli kaotamise ning libisemis- ja kukkumisohtu, mis võib lõppeda kehavigastusega.
- **Kallakul töötades tagage alati kindel asend, töötage masinaga risti üle kallaku, mitte otse üles või alla, ning olge suuna muutmisel äärmiselt ettevaatlik.** See vähendab kontrolli kaotamise ning libisemis- ja kukkumisohtu, mis võib lõppeda kehavigastusega.
- **Tagurdamisel ja muruniiduki enda poole tõmbamisel olge väga ettevaatlik. Olge tähelepanelik oma ümbruse suhtes.** See vähendab töötamisel komistamisohu.
- **Ärge puudutage lõiketerasid ja muid ohtlikke liikuvaid osi, kui need alles liiguvad.** See vähendab liikuvate osade põhjustatud vigastusohu.
- **Kui eemaldate kinnikiilunud materjali või puhastate muruniidukit, veenduge, et kõik toitelülidit oleks välja lülitatud ja toitekaabel oleks lahti ühendatud.** Muruniiduki ootamatu tööle hakkamine võib tekitada raske kehavigastuse.

Rikkevoolukaitse

- Kasutage rikkevoolukaitset, mille rakendamisvool on kuni 30 mA.

Üldised ohutuseeskirjad



HOIATUS: Enne toote kasutamist loe läbi järgnevad hoiatused.

- Toode on ohtlik, kui seda kasutada valesti või ettevaatamatult. Ohutuseeskirjade eiramine võib põhjustada kehavigastuse või surma.
- Toode tekitab töötades elektromagnetvälja. Teatud tingimustel võib väli häirida aktiivsete või passiivsete meditsiiniliste implantaatide tööd. Raskete või surmaga lõppevate kehavigastuste ohu vähendamiseks soovime meditsiinilisi implantaate kasutataval inimestel pidada enne selle seadme kasutamist nõu oma arsti ja implantaadi valmistajaga.
- Olge alati ettevaatlik ja toimige arukalt. Kui te pole kindel, kuidas toodet eriolukorras kasutada, lõpetage töö ja pidage enne jätkamist nõu Husqvarna edasimüüjaga.
- Arvestage, et teiste isikute ja nende varaga seotud õnnetuste korral kannab vastutust seadme kasutaja.
- Hoidke toode puhas. Veenduge, et märgid ja tähised oleksid selgelt loetavad.
- Ärge kunagi lubage lastel või nende juhustega mittetutunud inimestel seadet kasutada. Kohalikud

kehtivad eeskirjad võivad piirata kasutaja lubatud vanust.

- Kui toodet kasutab piiratud füüsiliste või vaimsete võimetega isik, peab ta olema kogu aeg järelevalve all. Vastutusvõimeline täiskasvanu peab kogu aeg kasutaja juures viibima.
- Ärge kasutage toodet, kui olete väsinud, haige või tarvitanud alkoholi, narkootikume või ravimeid. Sellel on negatiivne mõju teie nägemisele, liigehapanuvõimele, liikumisele ja otsustamisvõimele.
- Ärge kasutage toodet, kui see on kahjustatud.
- Ärge muutke toodet ega kasutage seda, kui keegi teine võib olla seda muutnud.

Tööohutus



HOIATUS: Enne toote kasutamist loe läbi järgnevad hoiatused.

- Kasutage seda toodet ainult muru niitmiseks. Muude toimingute tegemiseks toodet kasutada ei tohi.
- Kasuta isikukaitsevahendeid. Vt jaotist Isikukaitsevahendid lk 127.
- Veenduge, et teate, kuidas hädaolukorras mootorit kiiresti seisata.
- Toodet ei tohi kasutada vihma käes või märjas keskkonnas. Tootte sisse pääsenud vesi suurendab elektrilöögi ohtu.
- Ärge kasutage toodet enne, kui lõiketera ja katted on õigesti kinnitatud. Valesti kinnitatud lõiketera võib lahti tulla ja inimesi vigastada.
- Veenduge, et lõiketera ei puutuks kokku esemetega (nt kivide ja juurtega). See võib lõiketera kahjustada ja põhjustada mootori võlli väändumist. Paindega telg põhjustab tugevat vibratsiooni ja suurt lõiketera lahtitulemise ohtu.
- Kui lõiketera puutub kokku mõne esemega või esineb vibratsioon, peatage toode viivitamatult. Seisake mootor, keerake ohutuslüli asendisse 0 ja eemaldage aku. Oodake, kuni liikuvad osad peatuvad. Kontrollige toodet kahjustuste suhtes. Kinnitage lahtised osad korralikult. Parandage kahjustused ja asendage kahjustatud osad. Laske parandustöid teha volitatud hooldustöökojas.
- Kui mootor töötab, ärge kinnitage kunagi mootori pidurikäepidet püsivalt käepideme külge.
- Asetage toode stabiilselt ja tasasele pinnale ning käivitage see. Veenduge, et lõiketera ei puutuks vastu maad ega muid esemeid.
- Olge toote kasutamisel alati toote taga.
- Tootte kasutamisel hoidke mõlema käega käepidemest ja kõik toote rattad maas. Hoiu käed ja jalad pöörlevatest teradest eemal.
- Vältige mootori käivitamisel või toote kasutamisel toote kallutamist.
- Olge toote tagasisuunas tõmbamisel ettevaatlik.

- Kui mootor on käivitatud, ärge tõstke toodet. Kui teil on vaja toode üles tõsta, seisake esmalt mootor, keerake ohutuslüli asendisse 0 ja eemaldage aku.
- Ärge kõndige toote kasutamise ajal tagurpidi.
- Seisake mootor, kui toodet on vaja transportimiseks kallutada või kui peate ületama ilma muruta ala, näiteks kruusa-, kivi- või asfalttee.
- Ärge lükake toodet joostes, kui mootor on käivitatud. Tootte kasutamise ajal kõndige.
- Enne lõikamiskõrguse muutmist seisake mootor. Ärge kunagi tehke reguleerimisi, kui mootor töötab.
- Ärge laske toodet silmist, kui mootor töötab. Seisake mootor ja veenduge, et lõikeosa ei pöörleks.
- Tootte kasutamise ajal esinev vibratsioon võib jaotises Tehnilised andmed lk 135 esitatud vibratsiooniväärtusest erineda. Erinevus tuleneb toote erinevatest kasutusviisidest. Kui kasutate toodet sageli või kaua aega, tehke regulaarselt pause, et vältida vibratsioonist tingitud vigastusi.

Ohutusjuhised kasutamisel

Isikukaitsevahendid



HOIATUS: Enne toote kasutamist loe läbi järgnevad hoiatused.

- Isikukaitsevarustus ei välista täielikult kehavigastuste ohtu, kuid vähendab õnnetusjuhtumi korral kehavigastuse raskusastet. Õige varustuse valimiseks pöörduge edasimüüja poole.
- Kandke vastupidavaid saapaid või jalatseid, mis on libisemiskindlad. Ärge kandke avatud jalatseid ega olge paljajalu.
- Kandke tugevaid pikki pükse.
- Vajaduse korral kandke kaitsekindaid, näiteks lõikeosa kinnitades, kontrollides või puhastades.
- Soovitame kasutada kuulmiskaitset.

Toote ohutusseadised



HOIATUS: Enne toote kasutamist loe läbi järgnevad hoiatused.

- Ärge kunagi kasutage seadet, kui selle ohutusseadised on defektsed.
- Ärge eemaldage ohutusseadmeid ega tehke neile muudatusi.
- Kontrollige ohutusseadiseid regulaarselt. Kui ohutusseadised on defektsed, pöörduge Husqvarna hooldustöökotta.

Lõikeosa katte kontrollimine

Lõikeosa kate vähendab toote vibratsiooni ja lõiketerast tingitud vigastuste ohtu.

- Kontrollige lõikeosa kahjustuste (nt pragude) suhtes.

Ohutuslüli kontrollimine

Ohutuslüli asub akukaane all. Ohutuslüli abil ühendatakse aku, mis varustab mootori toitega.

- Ohutuslüli kontrollimiseks käivitage ja seisake mootor.
- Kui ohutuslüli on töökorras, siis käivitub mootor üksnes ohutuslüli keeramisel asendisse 1. (Joon. 15)

Mootori pidurikäepideme kontrollimine

Mootori pidurikäepideme abil saab mootori seisata. Mootori pidurikäepideme vabastamisel mootor seiskub.

- Käivitage seade. Vt jaotist Tootte käivitamine lk 130.
- Vabasta mootori pidurikäepide. (Joon. 16)
- Veendu, et toode on seiskunud. Kui mootor kolme sekundi jooksul ei seisku, laske mootoripidurit Husqvarna volitatud hooldustöökogas reguleerida.

Käivitustõkesti kontrollimine

Kontrollige, kas käivitustõkesti takistab mootori tööd.

1. Lükake mootori pidurikäepidet juhtraua suunas. Käivitustõkesti peatab liikumise.
2. Lükake käivitustõkesti välja. (Joon. 17)
3. Laske käivitustõkesti lahti ja veenduge, et see läheks tagasi lähteasendisse.

Aku ohutus



HOIATUS: Enne toote kasutamist loe läbi järgnevad hoiatused.

- Kasutage seotud Husqvarna toodete toiteallikana alati üksnes Husqvarna taaskaetavaid akusid. Kehavigastuse vältimiseks ära kasuta akut muude seadmete toiteallikana.
- Ärge kasutage mittetaaskaetavaid akusid.
- Elektrilöögioht! Ärge ühendage akuklemme võtmete, müntide, kruvide või muude metallesemetega. See võib tekitada akus lühise.
- Ärge asetage esemeid aku õhuavade sisse ja ette.
- Väldi aku kokkupuudet otsese päikesevalguse, kuumuse ja lahtise leegiga. Aku võib plahvatada ja põhjustada põletusi ja/või keemilisi põletusi.
- Vältige aku kokkupuudet vihma ja märja keskkonnaga.
- Vältige aku kokkupuudet mikrolainete ja kõrgsurvega.
- Ärge demonteerige ega lõhkuge akut.
- Aku lekke korral vältige vedeliku kokkupuudet keha ja silmadega. Kui vedelik satub kehale, puhastage kokkupuutunud ala rohke veega ja seejärel pöörduge arsti poole.
- Kasutage toote akut üksnes juhul, kui õhutemperatuur on vahemikus 5 °C kuni 40 °C.

- Kasutage akulaadijat üksnes juhul, kui õhutemperatuur on vahemikus 5 °C kuni 40 °C.
- Akut ei laeta, kui aku temperatuur on üle 50 °C.
- Ärge puhastage akut või akulaadijat veega. Vt jaotist Aku ja akulaadija puhastamine lk 132.
- Ärge kasutage defektset või kahjustatud akut.
- Ladustage akusid metallesemetest (nt naelad, mündid, ehted) eemal.

- Ärge kasutage akulaadijat tuleohtlike või korrosiooni tekitavate materjalide läheduses. Ärge katke akulaadijat. Suitu või tule tekke korral eemaldage pistik akulaadijast.
- Ärge kunagi kasutage defektset või kahjustunud akulaadijat.
- Laadige akut ainult hea õhuvahetusega siseruumis ja päikesevalguse eest kaitstuna. Ärge laadige akut märjas keskkonnas.

Akulaadija ohutus



HOIATUS: Enne toote kasutamist loe läbi järgnevad hoiatused.

- Kasutage Husqvarna asendusakude laadimiseks ainult QC akulaadijaid.
- Elektrilöögi ja lühise oht. Ärge asetage esemeid laadija õhuavade sisse ja ette. Ärge püüdke akulaadijat lahti monteerida. Ärge ühendage laadija klemme metallesemete külge. Kasutage heakskiidetud võrgupistikupesa.
- Toode tekitab töötades elektromagnetvälja. Teatud tingimustel võib väli häirida aktiivsete või passiivsete meditsiiniliste implantaatide tööd. Raskete või surmaga lõppevate kahjustuste ohu vähendamiseks soovitameme meditsiinilisi implantaate kasutavatel inimestel pidada enne selle toote kasutamist nõu oma arsti ja implantaadi valmistajaga.
- Kontrollige regulaarselt, kas akulaadija toitejuhe on kahjustada saanud ja kas sellel on pragusid.
- Ärge tõstke akulaadijat toitejuhtmest hoides. Akulaadija võrgupistikupesast lahutamiseks tõmmake pistikut. Ära tõmba toitejuhet.
- Vältige toitejuhtme ja pikendusjuhtme kokkupuudet vee, õli ja teravate servadega. Jälgige, et juhe ei jääks uste, väravate jms vahele. See võib põhjustada laadija sattumise pingele alla.
- Ärge puhastage akulaadijat veega.
- Akulaadijat võivad kasutada lapsed alates 8. eluaastast ja isikud, kellel on vähenenud füüsilised, sensoorsed või vaimsed võimed või puudulikud teadmised ja kogemused, kui need jälgib või juhendab vastutav isik, kes tagab, et nad kasutavad akulaadijat ohutult ning mõistavad seotud ohtusid. Lapsed ei tohi akulaadijaga mängida. Lapsed ei tohi seadet ilma järelevalveta puhastada ega hooldada.
- Ärge laadige akulaadijas mittelaetavaid akusid.

Ohutusjuhised hooldamisel



HOIATUS: Enne toote kasutamist loe läbi järgnevad hoiatused.

- Hooldustööde ajal juhusliku käivitumise vältimiseks keerake ohutuslüli asendisse 0 ja eemaldage aku. Enne hooldustööde alustamist oodake vähemalt viis sekundit.
- Hooldage toodet ainult selle kasutusjuhendi järgi. Põhjalikumad ja keerukamad tööd laske teha volitatud hooldustöökojas. Lisateavet küsige lähimast hooldustöökojast.
- Toote kasutusea tõstmiseks ja õnnetuste ohu vähendamiseks tehke kõik hooldustööd korrektselt.
- Asendage kahjustatud, kulunud ja katkised osad. Kasutage alati tootja originaalvaruosi. Muud varuosad võivad toodet kahjustada ja suurendada õnnetuste ohtu.
- Vigastuste vältimiseks ärge eemaldage ohutusseadmeid ega tehke neile muudatusi.
- Lõikeosa käsitsedes kandke alati tugevaid kindaid. Lõiketera on väga terav ja võib kergesti põhjustada lõikevigastusi.
- Parima ja ohutuima töö tagamiseks hoidke lõikeservad teravana ja puhtana.
- Laske hooldustöökojas toodet korrapäraselt kontrollida ning teha vajalikke seadistamisi ja parandusi.
- Järgige tarvikute vahetamise juhiseid. Kasutage ainult tootja valmistatud tarvikuid.
- Kui toodet ei kasutata, eraldage toode, aku ja akulaadija ning hoidke need kuivas ja lukustatud siseruumis. Veenduge, et lastel ja ilma vastava volitusega kõrvalistel isikutel puuduks juurdepääs tootele, akule ja akulaadijale.

Kokkupanek

Sissejuhatus



HOIATUS: Enne toote kokkupanemist lugege läbi ohutust puudutav peatükk.



HOIATUS: Kokkupanemise ajal juhusliku käivitumise vältimiseks keerake ohutuslüli asendisse 0, eemaldage aku ja oodake vähemalt viis sekundit.

Käepideme kokkupanek

1. Keera ülemine käepide ettepoole.
2. Pingutage käepideme nupud (A). (Joon. 18)
3. Tõmmake käepidet tahapoole, kuni see on lõppasendis.
4. Pöörake kõrguse reguleerimisvarras alla ja asetage see soone sisse. (Joon. 19)

5. Vajutage jalaga kõrguse reguleerimisnuppu alla. (Joon. 20)

Käepideme kõrguse reguleerimine

1. Vajutage jalaga kõrguse reguleerimisnupp sisse.
2. Asetage juhtraud õigesse asendisse ja vabastage juhtraud. (Joon. 21)

Töö

Sissejuhatus



HOIATUS: Enne seadme kasutamist lugege põhjalikult läbi ohutust puudutav jaotis.

Husqvarna Connect

Husqvarna Connect on mobiilsideseadmetele mõeldud tasuta rakendus. Rakendus Husqvarna Connect annab teie Husqvarna tootele lisafunktsionaalsuse:

- Täiendav tooteteave.
- Toote osade ja hoolduse alane teave ja abi.

Toote Husqvarna Connect kasutamise alustamine

1. Laadige Husqvarna Connect rakendus oma mobiilsideseadmesse.
2. Registreeruge Husqvarna Connect rakenduses.
3. Toote ühendamiseks ja registreerimiseks järgige Husqvarna Connect rakenduse juhiseid.

Toote seadmine tööasendisse

1. Paigaldage käepide. Vt jaotist Käepideme kokkupanek lk 129.
2. Reguleerige käepideme kõrgust. Vt jaotist Käepideme kõrguse reguleerimine lk 129.



ETTEVAATUST: Veenduge, et trossid pole liiga pingul. Liigne pingsus võib kahjustada kaablit, kui käepidemed pannakse transpordiasendisse.



HOIATUS: Kasutage toodet ainult juhul, kui käepide on täiesti üles liigutatud ja ühte kõrguse asendisse seatud. Vt jaotist Käepideme kõrguse reguleerimine lk 129.

Lõikamiskõrguse reguleerimine

Lõikamiskõrgust saab seadistada 6 erinevale kõrgusele.

1. Seisake mootor.

2. Lõikamiskõrguse suurendamiseks tõmmake lõikamiskõrguse hooba tagasisuunas. (Joon. 22)
3. Lõikamiskõrguse vähendamiseks lükake lõikamiskõrguse hooba edasisuunas.



ETTEVAATUST: Ärge seadistage lõikamiskõrgust liiga madalaks. Kui muru pole tasane, võivad lõiketerad puutuda vastu maad.

Aku



HOIATUS: Enne aku kasutamist lugege läbi ohutust puudutav jaotis ja veenduge, et oleksite kõigest aru saanud. Samuti tuleb läbi lugeda aku ja akulaadija kasutusjuhend ning veenduda, et kogu teave on arusaadav.

Hoidke akut ja akulaadijat õigel õhutemperatuuril.

	Õhutemperatuur
Aku kasutamine	5 °C kuni 40 °C
Aku laadimine	5 °C kuni 40 °C

Aku olek

Ekraanil kuvatakse aku järelejäänud mahtuvus ja akuga seotud mis tahes probleemid. Akuvõimsust kuvatakse 5 sekundi jooksul pärast seadme väljalülitamist või akunäidiku nupu vajutamisel. Akul olev hoiatussümbol süttib tõrke ilmnemisel. Vt jaotist Aku lk 132.

(Joon. 23)

LED-tuled	Aku olek
Kõik LED-tuled põlevad	Täis (75–100%).
LED 1, LED 2, LED 3 põlevad	Aku on laetud 50–75%
LED 1, LED 2 põlevad	Aku on laetud 25–50%
LED 1 põleb	Aku on laetud 0–25%
LED 1 vilgub	Aku on tühi. Laadige akut.

Aku laadimine

Enne esimest kasutuskorda laadige aku täis. Kliendile tarnimisel on aku laetud üksnes 30% ulatuses.

Märkus: Akulaadija tuleb ühendada tüübisildil näidatud pinge ja sagedusega võrku.

Aku laadimist ei toimu, kui aku temperatuur on üle 50 °C. Enne laadimise alustamist langetab akulaadija aku temperatuuri vajalikule tasemele.

1. Ühendage akulaadija toitejuhtme üks ots akulaadija pesasse.
2. Ühendage akulaadija toitejuhtme teine ots maandatud võrgupistikupesasse. Akulaadijal olev roheline märgutuli vilgub üks kord. (Joon. 24)
3. Asetage aku akulaadijasse. Kui aku on akulaadijaga õigesti ühendatud, süttib laadijal roheline tuli. (Joon. 25)
4. Kui aku kõik märgutuled põlevad, on aku täis. Ärge laadige akut kauem kui 24 tundi.
5. Akulaadija toitejuhtme võrgupistikupesast lahutamisel tõmmake pistikust, mitte juhtmest.
6. Eemaldage aku laadijast.

Aku laadimisolek

Husqvarna liitumioonakusid saab laadida sõltumata laetustasemest. Aku ei ole kahjustunud. Täis laetud aku ei tühjene ka siis, kui aku laadijasse jätta.

LED-näidik	Laadimisolek
LED 1 vilgub	0–25%
LED 1 põleb, LED 2 vilgub	25–50%
LED 1, LED 2 põlevad, LED 3 vilgub	50–75%
LED 1, LED 2, LED 3 põlevad, LED 4 vilgub	75–100%
LED 1, LED 2, LED 3, LED 4 põlevad	Täielikult laetud

Toote käivitamine

1. Avage akukaas.
2. Asetage laetud aku akupessa.
3. Keerake ohutuslüli asendisse 1. (Joon. 26)
4. Olge toote taga.
5. Avage käivitustõkesti. (Joon. 17)
6. Lükake mootori pidurikäepidet juhtraua suunas. (Joon. 27)

Funktsiooni SaveE™ kasutamine

Toode on varustatud akusäästufunktsiooniga (SaveE™), mis pikendab aku tööiga.

- Funktsiooni käivitamiseks lükka nupp SaveE™ asendisse 1. (Joon. 28)
- Funktsiooni seiskamiseks lükka nupp SaveE™ asendisse 0.

Märkus: Funktsioon SaveE™ seiskub automaatselt, kui pinnaolud nõuavad suuremat väljundit. Funktsioon SaveE™ käivitub automaatselt uuesti, kui pinnaolud seda võimaldavad.

Suure koormuse funktsioon

Kui seade niidab märga või pikka rohtu, suureneb mootori pöörete arv minutis automaatselt. Kui koormus langeb, lülitub mootor automaatselt tagasi tavarežiimile.

Mootori seiskumine

Kasutamise ajal võivad lõiketera ja mootor takistuste tõttu ajutiselt seiskuda, näiteks kui löikekorpuse all tekib muruummistus. Kui sellisel juhul hoiate mootori pidurikäepidet allavajutatuna, taaskäivitus toode automaatselt. Kui toode 5-10 sekundi jooksul ei käivitu, võib olla vaja löikekorpuse alune puhastada. Vt jaotist Toote puhastamine lk 132.



HOIATUS: Kui mootor seiskub, proovib mootor 5-10 sekundi jooksul automaatselt taaskäivituda. Enne löikekorpuse kontrollimist oodake vähemalt 15 sekundit.



HOIATUS: Enne löikekorpuse kontrollimist vabastage mootori pidurikäepide, keerake ohutuslüli asendisse 0, eemaldage aku ja oodake vähemalt viis sekundit. Takistuse eemaldamise ja toote ootamatu käivitumise korral esineb vigastusohu.

toote seiskamine



HOIATUS: Keera ohutuslüli asendisse 0, enne kui lasete tootel eemale liikuda.

1. Mootori seiskamiseks vabastage mootori pidurikäepide. (Joon. 29)
2. Avage akukaas ja keerake ohutuslüli asendisse 0. (Joon. 30)
3. Aku eemaldamiseks vajutage kahte vabastusnuppu ja tõmmake aku välja. (Joon. 31)
4. Laadige akut, kui see on tühjenenud. Lisateavet vt Aku laadimine lk 130.

Hea tulemuse saavutamiseks

- Kasutage vahedat lõiketera. Nüri tera annab ebahütlase tulemuse ja muru lõigatud osa muutub kollaseks. Terav lõiketera on nüri teraga võrreldes energiasäästlikum.
- Lõigake kuni pool muru pikkusest. Niitke kõigepealt kõrgele reguleeritud lõikamiskõrgusega. Vaadake tulemust ja seadistage lõikamiskõrgus soovitud madalamale tasemele. Kui muru on väga pikk, sõitke aeglaselt ja vajadusel niitke kaks korda.

- Niitke iga kord erinevas suunas, et ära hoida triipude tekkimist murule.
- Hoidke lõikamiskatte puhtana. Lõikamiskatte siseküljele kogunevad rohujäägid ja mustus võivad lõikamise tõhusust vähendada. Vt jaotist Toote puhastamine lk 132.

Hooldamine

Sissejuhatus



HOIATUS: Enne seadme hooldamist lugege põhjalikult läbi ohutust puudutav peatükk.

Seadme hooldamiseks ja remontimiseks on vaja erioskusi. Tagame asjatundliku remondi- ja hooldustöö. Kui edasimüüjal, kellelt toote ostsite, pole hooldustöökoda, küsige neilt teavet lähima hooldustöökoja kohta.

Lisateavet vt www.husqvarna.com.

Hooldusgraafik

Hooldusintervallide arutamisel on aluseks võetud seadme igapäevane kasutamine. Intervallid muutuvad, kui seadet igapäevaselt ei kasutata.

Tärniga (*) tähistatud hooldustööde kohta leiate juhised peatükist Ohutus lk 124.

	Igal ka- sutuskor- ral	Iga kuu	Igal hooajal
Tehke üldkontroll.	X		
Puhastage toode.	X		
Puhastage käepideme kõrguse reguleerimisvarda ümbrus.	X		
Kontrollige käivitustõkestit. *	X		
Veenduge, et toote ohutusseadistel poleks defekte. *	X		
Kontrollige lõikeosa.	X		
Kontrolli lõikekorpust. *	X		
Kontrollige mootori pidurikäpideid. *	X		
Veenduge, et akul poleks kahjustusi.	X		
Kontrollige aku laetust.	X		
Veenduge, et aku vabastusnupud töötaksid korralikult ning et aku lukustuks kindlalt seadme külge.	X		
Veenduge, et akulaadija poleks kahjustusi ja et see töötaks korrektselt.		X	
Kontrollige aku ja seadme vahelisi ühendusi. Samuti kontrollige aku ja akulaadija vahelisi ühendusi.			X

Üldkontrolli läbiviimine

- Veenduge, et toote mutrid ja kruvid oleksid pingutatud.

- Veenduge, et toote juhtmed ei oleks sellises asendis, kus need võiksid kahjustada saada.

Toote puhastamine

- Puhastage plastosi puhta ja kuiva lapiga.
- Ärge puhastage seadet veega. Vesi võib pääseda aku või mootori sisse ja põhjustada lühise või kahjustada toodet.
- Ärge kasutage seadme puhastamiseks survepesurit.
- Ärge valage vett otse mootorile.
- Eemaldage lehed, muru ja pori harja abil.

Aku ja akulaadija puhastamine



HOIATUS: Ärge puhastage akut või akulaadijat veega.



HOIATUS: Ärge kasutage aku puhastamiseks mis tahes kemikaale.

- Enne aku asetamist akulaadijasse veenduge, et aku ja akulaadija oleksid puhtad ja kuivad.
- Puhastage akuklemmid suruõhu või pehme ja kuiva riidelapiga.
- Puhastage aku ja akulaadija välispinnad pehme ja kuiva riidelapiga.

Käepideme kõrguse reguleerimisvarda ümbruse puhastamine

- Eemaldage lehed, muru ja pori harja abil. (Joon. 32)

Lõikeosa kontrollimine



HOIATUS: Juhusliku käivitumise vältimiseks keerake ohutuslülitid asendisse 0, eemaldage aku ja oodake vähemalt viis sekundit.



HOIATUS: Lõikeosa hooldamisel kandke kaitsekindaid. Lõiketera on väga terav ja võib kergesti põhjustada lõikevigastusi.

1. Kontrollige lõikeosa kahjustuste ja mõrade suhtes. Kahjustatud lõikeosa tuleb alati välja vahetada.

2. Kontrollige, kas lõiketera on kahjustatud või nüri.

Märkus: Teritamise järel tuleb lõiketera tasakaalustada. Lõiketera teritamine, asendamine ja tasakaalustamine usaldage hooldustehnikule. Kui toode pörkub vastu eset, mis põhjustab toote seisumise, vahetage välja kahjustatud lõiketera. Laske hoolduskeskuses hinnata, kas tera saab teritada või tuleb see välja vahetada.

Lõiketera vahetamine

Vt jaotist Tehnilised andmed lk 135 õiget tüüpi lõiketera leidmiseks.



HOIATUS: Lukustage lõiketera mõne puuklotsiga, et vältida lõiketera vahetamisel sõrmede vigastamist. Lõiketera võib liikuda, kui mootor on välja lülitatud, ning sõrmed võivad lõiketera ja liikumatute osade vahele jääda.

1. Lukustage lõiketera mõne puuklotsiga. (Joon. 33)
 2. Eemaldage lõiketera polt, vedruseib ja lõiketera. (Joon. 34)
 3. Eemaldage lõiketera tugi ja polt ning kontrollige, kas esineb kahjustusi.
 4. Kontrollige mootori võlli ja veenduge, et see poleks väändunud.
 5. Uue lõiketera kinnitamisel suunake nurksed otsad lõikekorpuse poole. (Joon. 35)
 6. Veenduge, et lõiketera ja mootori võlli kese oleksid kohakuti.
 7. Lukustage lõiketera mõne puuklotsiga. Kinnitage vedruseib ning pingutage polti ja seibi momendiga 23–28 Nm. (Joon. 36) (Joon. 34)
 8. Keerake tera käega, veendumaks, et see pöörleb vabalt.
- HOIATUS:** Kasutage tugevaid kindaid. Lõiketera on väga terav ja võib kergesti põhjustada lõikevigastusi.
9. Tera katsetamiseks käivitage toode. Kui tera on valesti kinnitatud, siis toode vibreerib ja niitmistulemus pole rahuldav.

Veaotsing

Aku

Aku LED-tuli	Põhjus	Lahendus
Roheline LED-tuli vilgub.	Aku pinget on madal.	Laadige aku. Vt jaotist Aku laadimine lk 130.

Aku LED-tuli	Põhjus	Lahendus
Tõrke LED-tuli vilgub	Aku on tühjenenud.	Laadige aku. Vt jaotist Aku laadimine lk 130.
	Töökeskkonna temperatuur on liiga kõrge või liiga madal.	Kasutage akut keskkonnas, kus õhutemperatuur jääb vahemikku 5 °C kuni 40 °C.
	Ülepinge.	Veendu, et toiteallika võrgupinge vastaks toote mudeli etiketil märgitule. Eemalda aku laadijast. Oodake viis sekundit ja proovige akut uuesti laadida. Probleemi püsimisel pöördu volitatud hooldustöökoja poole.
Tõrke LED-tuli põleb.	Elementide erinevus on liiga suur (1 V).	Pöörduge volitatud hooldustöökoja poole.

Akulaadija

Akulaadija LED-tuli	Põhjus	Lahendus
Tõrke LED-tuli vilgub	Töökeskkonna temperatuur on liiga kõrge või liiga madal.	Kasutage akulaadijat keskkonnas, kus õhutemperatuur jääb vahemikku 5 °C kuni 40 °C.
Tõrke LED-tuli põleb.		Pöörduge volitatud hooldustöökoja poole.

Muruniiduk

Hoiatusindikaator (tõrke LED-tuli) asub akukatte all.

Probleem	Tõrke LED-tuli (vilgumiste arv)	Põhjus	Lahendus
Tõrke-LED-tuli vilgub. Toode ei tööta korralikult.	5	Lõiketera liikumine on takistatud.	Keera ohutuslüli asendisse 0, et vältida juhuslikku käivitumist. Eemalda aku ja oota vähemalt 5 sekundit. Eemalda võimalikud takistused ja veendu, kas terad liiguvad vabalt. Probleemi püsimisel pöördu volitatud hooldustöökoja poole.
		Mootori kiirus langeb liigselt ja mootor seiskub.	Suurendage löikamiskõrgust. Vt jaotist Lõikamiskõrguse reguleerimine lk 129.
	10	Mootori juhtseade on liiga kuum.	Seisake mootor ja oodake, kuni see on jahtunud.

Probleem	Törke LED-tuli (vilkumiste arv)	Põhjus	Lahendus
Törke-LED-tuli vilgub. Seade seiskub.	0	Akukonnektori tõrge.	Kontrollige akukonnektorit.
	3	Mootor on ülekoormatud.	Suurendage löikamiskõrgust. Vt jaotist Löikamiskõrguse reguleerimine lk 129.
	8	Aku on tühjenenud.	Laadige akut. Vt jaotist Aku laadimine lk 130.
	9	Aku tõrge või aku signaali pole.	Asetage aku õigesti seadmesse ja kontrollige akukonnektorit. Kui aku tõrke LED-tuli vilgub. Vt jaotist Aku olek lk 129.
	12	Vale käivitustoiming. Mootori pidurikäepide on rakendatud enne mootori käivitumist.	Vabastage mootori pidurikäepide ja oodake umbes 5 sekundit. Lükka mootori pidurikäepide uuesti alla toote käivitamiseks.
Muud tõrked.	Muude tõrgete ilmumise korral keerake ohutuslüüti asendisse 0, eemaldage aku ja võtke ühendust volitatud hooldustöökojaga.		

Transportimine, hoiepaneel ja utiliseerimine

Sissejuhatus



HOIATUS: Transportimise ja hoiustamise ajal juhusliku käivitumise vältimiseks keerake ohutuslüüti asendisse 0, eemaldage aku ja oodake vähemalt viis sekundit.

Seadme seadmine transportasendisse

1. Lükake jalaga kõrguse reguleerimisnuppu. (Joon. 37)
2. Tõmmake käepide üles ja tõmmake kõrguse reguleerimisvarras soonest välja.
3. Pöörake käepide ettepoole, kuni see on jõudnud lõppasendisse. (Joon. 38)
4. Pöörake kõrguse reguleerimisvarras löikekorpuse poole. (Joon. 39)
5. Vabastage käepideme nupud. (Joon. 40)
6. Pöörake ülemine käepide tahapoole. (Joon. 41)

Transportimine

- Liitium-ioonakudele kehtivad ohtlike kaupade veonõuded.
- Kaubandusliku transpordi korral tuleb järgida pakendamise ja märgistamise erinõudeid.
- Toote transportimiseks ettevalmistamisel järgige kindlasti ohtlikele ainetele kehtivaid eeskirju. Kehtida võivad ka kohalikud eeskirjad.
- Transpordi ajaks tuleb aku alati eemaldada.

- Katke akukonnektorid isoleerteibiga ja veenduge, et aku ei saaks transportimise ajal liikuma hakata.
- Kinnitage seade transportimise ajaks.

Hoiustamine

- Enne hoiustamist laske tootel jahtuda.
- Hoiustamise ajaks tuleb aku alati eemaldada.
- Õnnetuste vältimiseks veenduge, et aku ja seade poleks hoiustamise ajal ühendatud.
- Hoidke akulaadijat suletud ja kuivas kohas.
- Hoidke akut ja akulaadijat kuivas kohas, kus pole niiskust ja miinuskraade.
- Ladustamise ajaks lahutage aku akulaadija küljest.
- Ärge hoidke akut kohas, kus võib tekkida staatiline elekter. Ära hoia akut metallkastis.
- Hoidke toodet kohas, kus õhutemperatuur jääb vahemikku -10 °C kuni 40 °C .
- Hoidke akut kohas, kus õhutemperatuur jääb vahemikku 5 °C kuni 25 °C ja kuhu ei paista otsene päikesevalgus.
- Hoidke akulaadijat kohas, kus õhutemperatuur jääb vahemikku 5 °C kuni 45 °C ja kuhu ei paista otsene päikesevalgus.
- Enne aku pikemaajalist hoiustamist laadige see 30–50% ulatuses täis.
- Hoidke seadet, akut ja akulaadijat suletud ruumis, kuhu ei pääse lapsed ja volitamata kõrvalised isikud.
- Puhastage toode ja veenduge, et rohukogur oleks tühi.
- Tehke kasutusjuhendis toodud hooldustoimingud. Vt jaotist Hooldusgraafik lk 131.

- Enne toote pikaajalist hoiustamist tehke sellele täishooldus.

Kõrvaldamine

Tootel või selle pakendil olevad sümbolid viitavad, et toodet ei tohi visata olmeprügi hulka. See tuleb toimetada ettenähtud vastuvõtupunkti, kus elektri- ja elektroonikaseadmed võetakse uuesti ringlusesse.

Hoolitsedes toote eest õigel viisil aitate vähendada võimalikke negatiivseid mõjusid keskkonnale ja

inimestele, mis võivad avalduda toote vale käitlemise korral. Lisateabe saamiseks toote ringlussevõtu kohta pöörduge vastava kohaliku ametkonna, jäätmekäitlusettevõtte või toote müünud kaupluse poole.

(Joon. 42)

Tehnilised andmed

	LB 144i
Lõikemootor	
Mootori tüüp	BLDC (harjadeta) 36 V
Mootori pöörlemissagedus – SavE, p/min	2600/min
Mootori pöörlemissagedus – nimisagedus, p/min	3200/min
Mootori pöörlemissagedus – suur koormus, p/min	3500/min
Mootori väljundvõimsus – max kW	0,9
Mootori väljundvõimsus – nimivõimsus, kW	0,75
Veomootor	
Mootori väljundvõimsus – nimivõimsus, kW	–
Iseliikumiskiirus, km/h	–
Reguleeritavad kiirusetasemed	–
Kaal	
Kaal (v.a. aku), kg	15,5
Kaal (sh 1x Bli30), kg	17,5
Aku	
Aku tüüp	Husqvarna Akuseeria
Aku tööaeg	
Aku tööaeg, min, (vabajooksul) SavE on aktiveeritud, ühe Husqvarna 7,5 Ah akuga (Bli300).	170
Aku tööaeg, min, (vabajooksul) standardrežiim on aktiveeritud, ühe Husqvarna 7,5 Ah akuga (Bli300).	135
Müratasemed ²²	
Helivõimsuse tase, mõõdetud dB(A)	90
Helivõimsuse tase, garanteeritud L _{WA} dB(A)	92

²² Müraemissioon ümbritsevasse keskkonda, mõõdetud helivõimsuse tasemenähtena (L_{WA}) vastavalt EÜ direktiivile 2000/14/EÜ

	LB 144i
Helitasemed ²³	
Helirõhutase kasutaja kõrva juures, dB(A)	77
Vibratsioonitase ²⁴	
Käepide, m/s ²	0,7
Lõikeosa	
Lõikekõrgus, mm	25-75
Niitmislaius, cm	44
Lõiketera, standardne	Multš 5298073-10
Lõiketera, lisatarvik	–

Heakskiidetud akud	Tüüp	Aku mahtuvus, Ah	Pinge, V	Kaal, kg
40-B140	Liitiumioonaku	4,0	36	1,2
BLi30	Liitiumioonaku	7,5	36	1,9

Määratletud akude heakskiidetud akulaadijad, BLi	Sisendpinge, V	Sagedus, Hz	Võimsus, W
40-C80	100-240	50-60	68,8
QC250	220-240	50	250

²³ Helirõhu taseme kohta esitatud andmete määramatuse tegur (K) on 1,5 dB(A).

²⁴ Vibratsioonitasemete kohta esitatud andmete määramatuse tegur (K) on 1,5 m/s². Esitatud vibratsiooni koguväärtust on mõõdetud vastavalt standardi EN 62841-4-3 lisale I ning seda võidakse kasutada masinate omavaheliseks võrdlemiseks ja kokkupuute esialgseks hindamiseks.

Vastavusdeklaratsioon

EÜ vastavusdeklaratsioon

Husqvarna AB, SE-561 82 Huskvarna, Rootsi, tel: +46
3614 6500, kinnitab ainuvastutusel, et toode:

Kirjeldus	Muruniiduk
Kaubamärk	Husqvarna
Tüüp/mudel	LB 144i
Identifitseerimine	Seerianumbrid alates 2022. aastast

vastab täielikult järgmistele EÜ direktiividele ja määrustele:

Määrus	Kirjeldus
2006/42/EÜ	„masinadirektiiv“
2014/30/EL	„elektromagnetilise ühilduvuse direktiiv“
2000/14/EÜ	„seadmete müra kohta käiv direktiiv“
2011/65/EL	„elektri- ja elektroonikaseadmetes teatavate ohtlike ainete kasutamise piiramise direktiiv“

ja et kohalduvad järgmised standardid ja/või tehnilised spetsifikatsioonid: EN 62841-1:2015/AC:2015, EN IEC 62841-4-3:2021/A11:2021, EN ISO 12100:2010, EN 55014-1:2021, EN 55014-2:2021, EN IEC 61000-6-2:2019, EN IEC 61000-6-3:2021, EN IEC 63000:2018

Teavitatud asutus: 0404, RISE SMP Svensk Maskinprovning AB, Box 4053, SE-904 03 Umeå, Sweden kinnitab vastavust nõukogu direktiivile 2000/14/EÜ, vastavushindamise menetlus: lisa VI.

Lisateavet mürataseme kohta vt Tehnilised andmed lk 135.

Huskvarna, 2022-12-05



Claes Losdal, aiandustoodete arendusdirektor,
Husqvarna AB

Tehnilise dokumentatsiooni eest vastutaja



Sisällys

Johdanto.....	138	Vianmäärittäminen.....	148
Turvallisuus.....	139	Kuljettaminen, säilyttäminen ja hävittäminen.....	149
Asentaminen.....	143	Tekniset tiedot.....	150
Käyttö.....	144	Vaatimustenmukaisuusvakuutus.....	152
Huolto.....	146		

Johdanto

Tuotekuvaus

Tuote on kävelen ohjattava ja pyörivä ruohonleikkuri. Tuotteessa on BioClip-toiminto, joka leikkaa ruohon pieniksi paloiksi ja tekee siitä lannoitetta.

Tuotteen kuvaus

(Kuva 1)

1. Kahva/kahvasto
2. Moottorin jarrukahva
3. Käynnistyksenesto
4. Nostokahvat
5. Leikkuulaite
6. Leikkuukorkeuden säätövipu
7. Turva-avain
8. Akun kansi
9. Kahvan korkeuden säätösanka
10. SavE-painike
11. Varoitusmerkkivalo (vian merkkivalo)
12. Käyttöohje
13. Akkulaturi (lisävaruste)
14. Akku (lisävaruste)

Tuotteen symbolit

(Kuva 2) VAROITUS

(Kuva 3) Lue ohjeet.

(Kuva 4) VAROITUS – Varo sinkoutuvia esineitä.

(Kuva 5) Pidä sivulliset loitolla.

(Kuva 6) VAROITUS – Pidä kätesi ja jalkasi poissa terien läheisyydestä.

(Kuva 7) VAROITUS – Irrota akku ennen huoltotoimenpiteitä.

(Kuva 8) Laitetta tai sen pakkausta ei saa hävittää kotitalousjätteen mukana. Vie se asianmukaiseen sähkö- ja elektroniikkalaitteiden keräyspisteeseen.

Käyttötarkoitus

Käytä laitetta ruohon leikkuuseen. Älä käytä laitetta muihin tehtäviin.

(Kuva 9) Melupäästöt ympäristöön -tarra EU:n ja Yhdistyneen kuningaskunnan direktiivien ja säädösten mukaisesti sekä Uuden Etelä-Walesin "Protection of the Environment Operations (Noise Control) Regulation 2017" -asetuksen mukaisesti. Tuotteen taattu äänentehotaso on määritelty kohdassa Tekniset tiedot sivulla 150 ja arvokilvessä.

(Kuva 10) Tämä lisälaitte täyttää sovellettavien EY-direktiivien vaatimukset.

(Kuva 11) Tämä tuote täyttää sovellettavien UK-säädösten vaatimukset.

(Kuva 12) Laitte on suojattu pystysuoraan tippuvalta vedeltä.

(Kuva 13) Pysäytä vapauttamalla moottorin jarrukahva.

(Kuva 14) Skannattava koodi.

Huomautus: Muita laitteen symboleita/tarroja tarvitaan joillakin markkina-alueilla ilmaisemaan sertifiointivaatimuksia.

Tuotevastuu

Tuotevastuulain mukaisesti emme ole vastuussa tuotteen aiheuttamasta vaurioista, jos

- tuote on korjattu virheellisesti
- tuotteen korjaamiseen on käytetty muita kuin valmistajan omia tai sen hyväksymiä osia
- tuotteessa on muu kuin valmistajan oma tai sen hyväksymä lisävaruste

- tuotetta ei ole korjattu valtuutetussa huoltopisteessä tai hyväksytyllä asiantuntijalla.

Turvallisuus

Turvallisuusmääritelmät

Varoituksia, huomioita ja huomautuksia käytetään, kun jotakin käyttöohjeen osaa halutaan erityisesti korostaa.



VAROITUS: Tätä käytetään, jos käyttöohjeen noudattamatta jättämisestä voi seurata käyttäjän tai sivullisen vamma tai kuolema.



HUOMAUTUS: Tätä käytetään, jos käyttöohjeen noudattamatta jättämisestä voi seurata koneen, muiden materiaalien tai ympäristön vaurioituminen.

Huomautus: Tätä käytetään tietyissä tilanteissa tarvittavien lisätietojen antamiseen.

Yleiset tuoteturvavaroitukset



VAROITUS: Lue kaikki tämän laitteen mukana tulevat turvavaroitukset, ohjeet, kuvat ja tekniset tiedot. Alla olevien ohjeiden noudattamatta jättäminen voi johtaa sähköiskuun, tulipaloon ja/tai vakavaan tapaturmaan.

Säästä kaikki varoitukset ja ohjeet tulevaa käyttöä varten. Termillä "laite" tarkoitetaan varoituksissa verkkosähköllä toimivaa (johdollista) laitetta tai akkukäyttöistä (johdotonta) laitetta.

Työalueen turvallisuus

- Pidä työalue siistinä ja hyvin valaistuna. Sotkuiset tai hämärät alueet ovat alttiita onnettomuuksille.
- Älä käytä laitetta räjähdysherkässä ympäristössä, esimerkiksi herkästi syttyvien nesteiden, kaasujen tai pölyn läheisyydessä. Laitteesta lähtevät kipinät voivat sytyttää pölyn tai kaasut.
- Pidä lapset ja sivulliset poissa, kun käytät laitetta. Häiriöt voivat saada sinut menettämään työkalun hallinnan.

Sähköturvallisuus

- Laitteen pistokkeen on sovittava pistorasiaan. Älä koskaan muuta pistoketta millään tavoin. Älä käytä mitään pistokesovittimia maadoitettujen laitteiden kanssa. Muuttamattomat pistokkeet ja sopivat pistorasiat vähentävät sähköiskun vaaraa.
- Varo koskettamasta maadoitettuja pintoja, kuten putkia, pattereita, liesiä ja jääkaappeja. Sähköiskun riski kasvaa, jos käyttäjän keho on maadoitettu.

- Älä altista laitteita sateelle tai märille olosuhteille. Laitteeseen päässyt vesi lisää sähköiskun vaaraa.
- Älä vahingoita johtoa. Älä koskaan käytä johtoa laitteen kantamiseen, vetämiseen tai irrottamiseen pistorasiasta. Pidä johto etäällä kuumuudesta, öljystä, terävistä reunoista tai liikkuvista osista. Vialliset tai solmussa olevat johdot lisäävät sähköiskuvaaraa.
- Kun käytät laitetta ulkona, käytä ulkotiloihin sopivaa jatkojohtoa. Ulkokäyttöön sopivan johdon käyttäminen vähentää sähköiskun vaaraa.
- Mikäli laitteen käyttämistä kosteassa ei voida välttää, käytä virtalähdettä, jossa on vikavirtasuojakytkin (RCD). Vikavirtasuojakytkimen käyttäminen vähentää sähköiskuvaaraa.

Henkilökohtainen turvallisuus

- Pysy valppaana, katso mitä teet ja käytä tervettä järkeä käyttäessäsi laitetta. Älä käytä laitetta väsyneenä tai alkoholin, huumeiden käytön lääkityksen vaikutuksen alaisena. Hetken epähuomio laitteita käytettäessä voi johtaa vakavaan henkilövahinkoon.
- Käytä henkilökohtaisia suojavarusteita. Pidä aina silmäsuojia. Hengityssuojain, luistamattomat turvakengät, kypärä, kuulosuojaimet ja muut suojavarusteet niitä vaativissa oloissa käytettynä vähentävät henkilövahinkoja.
- Estä tahaton käynnistys. Varmista, että katkaisin on OFF-asennossa ennen virtalähteen ja/tai akun kytkemistä, laitteeseen tarttumista tai sen kantamista. Laitteiden kantaminen sormi kytkimellä tai virran kytkeminen laitteeseen, kun kytkin on käyttöasennossa, altistaa onnettomuuksille.
- Irrota mahdolliset säätöavaimet ennen virran kytkemistä laitteeseen. Laitteen pyöriivään osaan kiinnitetty avain voi aiheuttaa henkilövahingon.
- Älä kurota. Säilytä aina tukeva asento ja tasapaino. Tämä mahdollistaa laitteen paremman hallinnan odottamattomissa tilanteissa.
- Pukeudu oikein. Älä käytä löysästi istuvia vaatteita tai koruja. Pidä hiukset ja vaatteet etäällä liikkuvista osista. Löysät vaatteet, korut tai pitkät hiukset voivat tarttua liikkuviin osiin.
- Jos käytettävissä on kytkentämahdollisuus pölynpoistojärjestelmälle, varmista, että se kytketään ja että sitä käytetään oikein. Pölynpoistojärjestelmän käyttö voi vähentää pölyyn liittyviä riskejä.
- Vaikka olisit käyttänyt laitteita usein ja tuntisit ne hyvin, muista aina ottaa huomioon laitteen turvamääräykset. Huolimaton toiminta voi aiheuttaa vakavia vahinkoja sekunnin murto-osassa.

Laitteen käyttäminen ja huoltaminen

- Älä käytä laitetta väkisin. Käytä käyttötarkoitukseen sopivaa laitetta. Oikea laite tekee työn paremmin ja turvallisemmin nopeudella, jota varten se on suunniteltu.
- Älä käytä laitetta, jos virtaa ei voi kytkeä ja katkaista virtakytkimellä. Mikä tahansa laite, jota ei voi hallita virtakytkimellä, on vaarallinen, ja se pitää korjata.
- Irrota pistoke pistorasasta ja/tai akku laitteesta, mikäli mahdollista, ennen kuin teet mitään säätöjä, vaihdat lisävarusteita tai varastoit laitteita. Nämä ennakoivat turvatoimet vähentävät laitteen vahingossa käynnistymisen vaaraa.
- Varastoit käyttämättömät laitteet pois lasten ulottuvilta äläkä anna henkilöiden, jotka eivät tunne laitetta tai näitä ohjeita, käyttää laitetta. Laitteet ovat vaarallisia taitamattomien käyttäjien käsissä.
- Pidä laitteet ja lisävarusteet hyvässä kunnossa. Tarkista, etteivät liikkuvat osat ole pois kohdaltaan tai juuttuneet, että mikään osa ei ole rikkoutunut ja että mikään muu olosuhde ei vaikuta laitteen toimintaan. Jos laite on vahingoittunut, korjauta se ennen käyttöä. Monet onnettomuudet johtuvat huonosti huolletusta laitteesta.
- Pidä leikkaustyökalut terävinä ja puhtaina. Oikein huolletut leikkaustyökalut, joiden leikkausreunat ovat terävät, eivät juutu kiinni niin helposti ja ovat helpommin hallittavissa.
- Käytä laitetta, lisävarusteita, teriä jne. näiden ohjeiden mukaisesti ottaen huomioon työskentelyolosuhteet ja suoritettavan työn laadun. Laitteen käyttäminen ennakoituista poikkeavissa olosuhteissa voi johtaa vaaratilanteeseen.
- Pidä kahvat ja tarttumapinnat kuivina, puhtaina ja öljyttömänä sekä puhtaina vaseliinista. Liukkaat kahvat ja tarttumapinnat eivät mahdollista laitteen turvallista käsittelyä ja hallintaa odottamattomissa tilanteissa.

Akkukäyttöisten työkalujen käyttö ja huolto

- Lataa akku ainoastaan valmistajan tarkoitukseen nimeämällä laturilla. Tietynlaisen akustoon soveltuva laturi voi aiheuttaa toisen akuston lataamiseen käytettynä tulipalon vaaran.
- Liitä tuotteisiin ainoastaan niissä käytettäviksi hyväksytyt akkuja. Muunlaisten akkujen käyttö voi aiheuttaa tapaturmien tai tulipalon vaaran.
- Kun akkua ei käytetä, pidä se etäällä metalliesineistä, kuten paperiliittimistä, kolikoista, avaimista, nauloista, ruuveista tai muista pienistä metalliesineistä, jotka saattavat aiheuttaa kosketuksen liittinten välillä. Akkuliittinten saattaminen keskenään oikosulkuun voi aiheuttaa palovammoja tai tulipalon.
- Akusta voi tihkua nestettä väärissä olosuhteissa. Vältä kosketusta akkunesteeseen. Jos akkunestettä joutuu iholle, huuhtele ihoa vedellä. Jos neste joutuu kosketuksiin silmien kanssa, ota myös yhteys

lääkäriin. Akkuneste voi aiheuttaa ihoärsytystä tai palovammoja.

- Älä käytä vaurioitunutta tai muutettua akkua tai työkalua. Jos tuotteessa käytetään vaurioituneita tai muutettuja akkuja, tuote ei välttämättä toimi asianmukaisesti. Seurauksena saattaa olla tulipalo, räjähdys tai tapaturma.
- Älä altista akkua tai työkalua tulelle tai korkeille lämpötiloille. Laitteen altistuminen tulelle tai yli 130 °C:n lämpötilalle voi aiheuttaa räjähdyksen.
- Noudata kaikkia latausohjeita äläkä lataa akkua tai työkalua ohjeissa määritetyn lämpötila-alueen ulkopuolella. Akun lataaminen väärin tai sallittuun lämpötiloista poikkeavissa olosuhteissa voi vahingoittaa akkua ja lisätä tulipalorisä.

Palvelu

- Anna laitteen korjaaminen pätevän korjaajan tehtäväksi. Koneessa saa käyttää vain täysin samanlaisia varaosia. Näin taataan, että laitteen käyttöturvallisuus säilyy ennallaan.
- Älä koskaan huolla vahingoittuneita akkuja. Akkuja saavat huoltaa vain valmistaja ja valtuutetut palveluntarjoajat.

Ruohonleikkurin turvavaroitukset

- Älä käytä ruohonleikkuria epäsuotuisissa sääolosuhteissa, etenkin jos salamointi on mahdollista. Näin pienennät salamaniskujen riskiä.
- Tarkista ruohonleikkurin käyttöalue perusteellisesti eläimien varalta. Eläimet voivat loukkaantua ruohonleikkurin käytön aikana.
- Tarkista ruohonleikkurin käyttöalue huolellisesti ennen käyttöä ja poista kaikki kivet, risut, johdot, luut ja muut vierasesineet. Sinkoutuvat esineet voivat aiheuttaa henkilövahinkoja.
- Tarkasta aina ennen ruohonleikkurin käyttöä silmämääräisesti, että terä ja teräkokoonpano eivät ole kuluneet tai vaurioituneet. Vaurioituneet tai kuluneet osat lisäävät loukkaantumisvaaraa.
- Tarkasta ruohonkerääjä usein kulumisen tai heikkenemisen varalta. Kulunut tai vaurioitunut ruohonkerääjä voi lisätä loukkaantumisriskiä.
- Pidä suojukset paikoillaan. Suojusten on oltava toimintakunnossa ja oikein asennettuina. Irrallinen, vaurioitunut tai huonosti toimiva suojuus voi aiheuttaa henkilövahinkoja.
- Pidä kaikki jäähdytysilman tuloaukot puhtaina roskista. Tukkeutuneet tuloaukot ja roskat voivat aiheuttaa ylikuumenemista tai tulipalon vaaran.
- Käytä aina ruohonleikkurin käytön aikana luistamattomia suojajalkineita. Älä käytä ruohonleikkuria avojaloin tai avoimet sandaalit jalassa. Tämä vähentää jalkojen loukkaantumisen vaaraa, jos ne osuvat liikkuviin teriin.
- Käytä pitkiä housuja aina ruohonleikkuria käyttäessäsi. Paljas iho lisää lentävistä esineistä aiheutuvan loukkaantumisen todennäköisyyttä.

- Älä käytä ruohonleikkuria märällä nurmikolla. Liiku kävelyvauhtia, älä juosten. Tämä vähentää liukastumisen ja kaatumisen vaaraa, josta voi aiheutua henkilövahinkoja.
- Älä käytä ruohonleikkuria hyvin jyrkissä rinteissä. Tämä vähentää hallinnan menettämisen, liukastumisen ja kaatumisen vaaraa, josta voi aiheutua henkilövahinkoja.
- Kun työskentelet rinteissä, pidä jalkasi tukevasti maassa. Käytä konetta aina sivusuunnassa rinteeseen nähden äläkä koskaan ala- tai yläsuunnassa. Ole erittäin varovainen, kun vaihdat suuntaa. Tämä vähentää hallinnan menettämisen, liukastumisen ja kaatumisen vaaraa, josta voi aiheutua henkilövahinkoja.
- Noudata äärimmäistä varovaisuutta, kun peruutat tai vedät ruohonleikkuria itseesi päin. Tarkkaile aina ympäristöäsi. Tämä vähentää kompastumisriskiä käytön aikana.
- Älä koske teriin tai muihin vaarallisiin liikkuviin osiin, kun ne liikkuvat. Tämä vähentää liikkuvista osista aiheutuvan loukkaantumisen riskiä.
- Kun irrotat juuttunutta materiaalia tai puhdistat ruohonleikkuria, varmista, että kaikki virtakytkimet on asetettu OFF-asentoon ja virtajohto on irrotettu. Ruohonleikkurin odottamaton käynnistyminen voi aiheuttaa vakavia henkilövahinkoja.

Vikavirtasuojakytkin

- Käytä vikavirtasuojakytkintä, jonka laukaisuvirta on enintään 30 mA.

Yleiset turvaohjeet



VAROITUS: Lue seuraavat varoitusohjeet ennen laitteen käyttämistä.

- Tämä laite on vaarallinen, jos sitä käytetään huolimattomasti tai virheellisesti. Turvaohjeiden noudattamatta jättäminen voi aiheuttaa vammoja tai kuoleman.
- Laite muodostaa käytön aikana sähkömagneettisen kentän. Kenttä saattaa joissakin olosuhteissa häiritä aktiivisten tai passiivisten lääketieteellisten implanttien toimintaa. Vakavien tai hengenvaarallisten tapaturmien ehkäisemiseksi kehotamme lääketieteellisiä implantteja käyttäviä henkilöitä neuvottelemaan lääkärin ja lääketieteellisen implantin valmistajan kanssa ennen laitteen käyttämistä.
- Ole aina varovainen ja käytä tervettä järkeä. Jos et ole varma, miten laitetta käytetään erityistilanteessa, sammuta laite ja ota yhteys Husqvarna-jälleenmyyjään, ennen kuin jatkat.
- Muista, että käyttäjä on vastuussa muille ihmisille tai heidän omaisuudelleen aiheutuvista vahingoista.
- Pidä laite puhtaana. Varmista, että tuotteen merkit ja tarrat ovat luettavissa.

- Älä anna lasten tai näitä ohjeita tuntemattomien henkilöiden käyttää laitetta. Paikalliset määräykset saattavat rajoittaa käyttäjän ikää.
- Valvo aina laitetta käyttävää henkilöä, jonka fyysiset tai psyykkiset taidot ovat heikentyneet. Vastuullisen aikuisen on oltava aina paikalla.
- Älä käytä laitetta ollessasi väsynyt tai sairas tai jos olet alkoholin, huumaavien aineiden tai lääkkeiden vaikutuksen alaisena. Niillä on negatiivinen vaikutus näkökykyysi, vireyteesi, harkintakykyysi ja kehosi hallintaan.
- Älä käytä konetta, jos se on viallinen.
- Älä tee koneeseen muutoksia tai käytä konetta, mikäli epäilet jonkun muun muuttaneen sitä.

Työturvallisuus



VAROITUS: Lue seuraavat varoitusohjeet ennen laitteen käyttämistä.

- Käytä tätä tuotetta ainoastaan nurmikoiden leikkaamiseen. Laitetta ei saa käyttää muihin käyttötarkoituksiin.
- Käytä henkilökohtaisia suojavarusteita. Katso kohta Henkilökohtainen suojavarustus sivulla 142.
- Opettele pysäyttämään moottori nopeasti hätätilassa.
- Älä käytä laitetta sateella tai märissä olosuhteissa. Sähköiskun vaara kasvaa, jos laitteeseen pääsee vettä.
- Älä käytä tuotetta, ellei sen terää ja kaikkia suojuksia ole kiinnitetty asianmukaisesti. Virheellisesti kiinnitetty terä saattaa irrota ja aiheuttaa henkilövahinkoja.
- Varmista, ettei terä osu kiviin ja juuriin. Tämä voi vaurioittaa terää, ja moottorin akseli voi väntäytyä. Väntäytynyt akseli aiheuttaa voimakasta tärinää. Tällöin on erittäin suuri riski, että terä irtoaa.
- Jos terä osuu esineeseen tai alkaa täristä, pysäytä tuote välittömästi. Sammuta moottori, käännä turvakytkin asentoon 0 ja irrota akku. Odota, kunnes liikkuvat osat pysähtyvät. Tarkista laite vaurioiden varalta. Kiristä löystyneet osat. Korjaa vauriot ja vaihda vaurioituneet osat. Anna huoltotyö valtuutetun huoltoilijän tehtäväksi.
- Älä koskaan liitä moottorin jarrukahvaa pysyvästi kahvaan moottoria käynnistettäessä.
- Aseta laite kiinteälle, tasaiselle alustalle ja käynnistä se. Varmista, ettei terä pääse osumaan maahan tai mihinkään esineeseen.
- Ole aina laitteen takana käyttäessäsi sitä.
- Pidä kaikki renkaat maassa ja molemmat kätesi työntöaisalla käyttäessäsi laitetta. Pidä kädet ja jalat poissa pyörivien terien läheisyydestä.
- Älä kallista laitetta, kun käynnistät moottorin tai käytät laitetta.
- Ole varovainen vetäessäsi laitetta taaksepäin.

- Älä koskaan nosta laitetta moottorin käynnistyksen aikana. Jos laite on nostettava, sammuta ensin moottori, käännä turvakytin asentoon 0 ja irrota akku.
- Älä kävele taaksepäin käyttäessäsi laitetta.
- Pysäytä moottori, kun tuotetta on kallistettava kuljetusta varten tai ennen kuin siirryt alueille, joilla ei ole ruohoa, esimerkiksi sorasta, kivistä tai asfaltista tehdyille poluille.
- Älä juokse laitteen kanssa, kun moottoria käynnistetään. Kävele aina, kun käytät laitetta.
- Sammuta moottori ennen kuin muutat leikkuukorkeutta. Älä koskaan tee säätöjä moottorin käydessä.
- Älä koskaan jätä laitetta ilman valvontaa moottorin käydessä. Sammuta moottori ja varmista, ettei terävarustus pyöri.
- Laitteen tärinä käytön aikana voi erota kohdassa Tekniset tiedot sivulla 150 ilmoitetusta tärinäarvosta. Ero johtuu tuotteen käyttötavan vaihtelusta. Jos käytät laitetta usein tai pitkään, pidä taukoja säännöllisesti, jotta tärinä ei aiheuta vammoja.

- Tarkista leikkuusuojus vaurioiden, kuten halkeamien, varalta.

Turva-avaimen tarkistaminen

Turva-avain on akun kannen alla. Turva-avain kytkee akun, joka tuottaa tehoa moottorille.

- Tarkista turva-avaimen toiminta käynnistämällä ja sammuttamalla moottori.
- Jos turva-avain toimii oikein, moottori käynnistyy vain, kun avain on käännetty asentoon 1. (Kuva 15)

Moottorin jarrukahvan tarkistaminen

Moottorin jarrukahva pysäyttää moottorin. Kun moottorin jarrukahva vapautetaan, moottori pysähtyy.

- Käynnistä laite. Katso kohta Laitteen käynnistäminen sivulla 145.
- Vapauta moottorin jarrukahva. (Kuva 16)
- Varmista, että laite pysähtyy. Jos moottori ei pysähdy 3 sekunnissa, anna valtuutetun Husqvarna-huoltoliikkeen säätää moottorijarru.

Käynnistykseneston tarkistaminen

Tarkista käynnistyksenesto ja varmista, että se estää moottorin toiminnan.

1. Työnnä moottorin jarrukahvaa kahvaston suuntaan. Käynnistyksenesto pysäyttää liikkeen.
2. Työnnä käynnistyksenesto ulos. (Kuva 17)
3. Vapauta käynnistyksenesto ja varmista, että se palaa alkuasentoonsa.

Akkuturvallisuus



VAROITUS: Lue seuraavat varoitusohjeet ennen laitteen käyttämistä.

- Käytä ladattavia Husqvarna-akkuja vain yhteensopivien Husqvarna-tuotteiden virtalähteenä. Tapaturmien välttämiseksi akku ei saa käyttää muiden laitteiden virtalähteenä.
- Älä käytä paristoja.
- Sähköiskun vaara. Älä koske akun napoihin avaimella, kolikolla, ruuvilla tai muilla metalliesineillä.
- Älä aseta esineitä akun ilmarakoihin.
- Pidä akku suojassa suoralta auringonvalolta, kuumuudelta ja avotulelta. Akku voi räjähtää ja aiheuttaa palo- ja/tai syöpymisvammoja.
- Suojaa akku sateelta ja kosteilta olosuhteilta.
- Älä altista akku mikroaalloille ja korkealle paineelle.
- Älä yritä purkaa tai rikkoa akku.
- Jos akku vuotaa, älä anna nesteen joutua kosketuksiin kehon tai silmien kanssa. Jos nestettä joutuu iholle, puhdista alue heti runsaalla vedellä ja hakeudu lääkäriin.

Turvallisuusohjeet käyttöä varten

Henkilökohtainen suojavarustus



VAROITUS: Lue seuraavat varoitusohjeet ennen laitteen käyttämistä.

- Henkilökohtaiset suojavarusteet eivät poista tapaturmien vaaraa, mutta ne lieventävät vammoja onnettomuusstilanteessa. Anna jälleenmyyjän auttaa oikeiden varusteiden valinnassa.
- Käytä kestäviä luistamattomia saappaita tai kenkiä. Älä käytä avonaisia jalkineita tai kulje paljain jaloin.
- Käytä vahvakankaisia, pitkiä housuja.
- Käytä suojakäsineitä tarvittaessa, esimerkiksi terävarustuksen asennuksen, tarkastuksen ja puhdistuksen aikana.
- Suosittelemme kuulonsuojaimien käyttöä.

Tuotteen turvalaitteet



VAROITUS: Lue seuraavat varoitusohjeet ennen laitteen käyttämistä.

- Älä käytä laitetta, jos jokin sen turvalaitteista on rikki.
- Älä poista turvalaitteita tai tee niihin muutoksia.
- Tarkasta turvalaitteet säännöllisesti. Jos turvalaitteissa on vikoja, ota yhteyttä Husqvarna-huoltoliikkeeseen.

Leikkuusuojuksen tarkistaminen

Leikkuusuojus vähentää laitteen tärinää ja terän aiheuttamaa tapaturmavaaraa.

- Käytä laitteen akkua ainoastaan 5–40 °C:n lämpötiloissa.
- Käytä akkulatoria ainoastaan 5–40 °C:n lämpötiloissa.
- Akku ei lataudu, jos akun lämpötila on yli 50 °C.
- Älä pese akkua tai akkulatoria vedellä. Katso kohta Akun ja akkulatorin puhdistaminen sivulla 147.
- Älä käytä viallista tai vaurioitunutta akkua.
- Säilytä akkuja varastossa kaukana metalliesineistä kuten nauloista, kolikoista ja koruista.

Akkulatorin turvallisuus



VAROITUS: Lue seuraavat varoitusohjeet ennen laitteen käyttämistä.

- Käytä QC-akkulatureita vain Husqvarna-vara-akkujen lataukseen.
- Sähköiskun tai oikosulun vaara. Älä aseta esineitä laturin ilmarakoihin. Älä yritä purkaa akkulatoria. Älä liitä laturin liittimiä metalliesineisiin. Käytä hyväksytyä pistorasiaa.
- Laite muodostaa käytön aikana sähkömagneettisen kentän. Kenttä saattaa joissakin olosuhteissa häiritä aktiivisten tai passiivisten lääketieteellisten implanttien toimintaa. Vakavien tai hengenvaarallisten tapaturmien ehkäisemiseksi kehotamme lääketieteellisiä implantteja käyttäviä henkilöitä neuvottelemaan lääkärin ja lääketieteellisen implantin valmistajan kanssa ennen laitteen käyttämistä.
- Tarkista säännöllisesti, että akkulatorin virtajohto ei ole vaurioitunut ja ettei siinä ole murtumia.
- Älä nosta akkulatoria virtajohdosta. Irrota akkulatori pistorasiasta vetämällä pistoke ulos. Älä vedä virtajohdosta.
- Pidä virtajohto ja jatkojohdot poissa veden, öljyn ja terävien reunojen ulottuvilta. Pidä huolta, ettei kaapeli kiristy ovien, aitojen tai muiden vastaavien esineiden kohdalla. Se voi muuttaa laturin jännitteelliseksi.
- Älä pese akkulatoria vedellä.
- Yli 8-vuotiaat lapset ja henkilöt, joiden fyysinen, sensorinen tai henkinen toimintakyky on alentunut tai joilla ei ole riittävää kokemusta tai taitoja laitteen käyttöön, saavat käyttää akkulatoria, mikäli he ovat saaneet ohjausta tai ohjeita akkulatorin turvallisesta käytöstä ja ymmärtävät siihen liittyvät vaarat. Lapset

- eivät saa leikkiä akkulatorilla. Lapset eivät saa puhdistaa tai huoltaa laitetta ilman valvontaa.
- Älä lataa akkulatorilla akkuja, jotka eivät sovellu uudelleenlataukseen.
- Älä käytä akkulatoria herkästi syttyvien materiaalien tai syöpymistä aiheuttavien materiaalien lähellä. Älä peitä akkulatoria. Jos havaitsit savua tai tulta, irrota akkulatorin pistoke pistorasiasta.
- Älä käytä viallista tai vaurioitunutta akkulatoria.
- Lataa akku vain sisätiloissa poissa auringonvalosta ja tilassa, jossa on hyvä ilmanvaihto. Älä lataa akkua määrissä olosuhteissa.

Turvaohjeet huoltoon varten



VAROITUS: Lue seuraavat varoitusohjeet ennen laitteen käyttämistä.

- Jotta laite ei käynnisty vahingossa huollon aikana, käännä turvakytin asentoon 0 ja irrota akku. Odota vähintään viisi sekuntia ennen huollon aloittamista.
- Tee laitteelle ainoastaan käyttöohjekirjassa mainitut huoltotoimenpiteet. Laajemmat toimenpiteet ja ammattimaiset korjaukset on teetettävä valtuutetussa huoltoliikkeessä. Kysy lisätietoja lähimmästä huoltoliikkeestä.
- Laitteen oikeanlainen huoltaminen pidentää sen käyttöikää ja pienentää onnettomuusvaaraa.
- Vaihda vaurioituneet, kuluneet tai rikkoutuneet osat. Käytä aina valmistajan alkuperäisiä varaosia. Muut varaosat voivat vahingoittaa laitetta ja lisätä onnettomuusriskiä.
- Älä poista turvalaitteita tai tee niihin muutoksia vammojen ennaltaehkäisemiseksi.
- Käytä työrukkasia, kun käsittelet terävarustusta. Terä on erittäin terävä ja aiheuttaa helposti haavoja.
- Pidä leikkausreunat terävinä ja puhtaina, jotta laitteen suorituskky ja turvallisuus pysyvät mahdollisimman hyvänä.
- Anna huoltoliikkeen tarkastaa laite säännöllisesti ja tarvittaessa säätää ja korjata se.
- Noudata lisävarusteiden vaihtoa koskevia ohjeita. Käytä ainoastaan valmistajan lisävarusteita.
- Kun laitetta ei käytetä, säilytä se, akku ja akkulatori erillään kuivassa ja lukitussa sisätilassa. Varmista, että lapset ja asiattomat henkilöt eivät pääse käsiksi laitteeseen, akkuun tai akkulatoriin.

Asentaminen

Johdanto



VAROITUS: Ennen kuin kokoat tuotteen, lue turvallisuutta koskeva luku.



VAROITUS: Jotta kone ei käynnisty vahingossa asennuksen aikana, käännä turva-avain asentoon 0, irrota akku ja odota vähintään viisi sekuntia.

Kahvan asentaminen

1. Taita ylempi kahva eteen.
2. Kiristä kahvan nupit. (Kuva 18)
3. Vedä kahvaa taaksepäin, kunnes se on ääriasennossa.
4. Taita korkeuden säätösanka alas ja aseta se uraan. (Kuva 19)

5. Paina korkeuden säätösankaa alas jalalla. (Kuva 20)

Kahvan korkeuden säätäminen

1. Paina korkeuden säätösankaa jalalla.
2. Aseta kahva oikeaan asentoon ja vapauta se. (Kuva 21)

Käyttö

Johdanto



VAROITUS: Lue turvallisuutta käsittelevä luku niin, että ymmärrät sen sisällön, ennen laitteen käyttämistä.

Husqvarna Connect

Husqvarna Connect on ilmainen mobiililaitesovellus. Husqvarna Connect -sovellus saat lisätoimintoja Husqvarna-koneeseen:

- Enemmän tuotetietoja.
- Tietoja koneen osista ja huolto-ohjeita.

Husqvarna Connect -käytön aloittaminen

1. Lataa Husqvarna Connect -sovellus mobiililaitteeseesi.
2. Rekisteröi Husqvarna Connect -sovelluksessa.
3. Liitä ja rekisteröi kone Husqvarna Connect -sovelluksen ohjeiden mukaan.

Laitteen asettaminen käyttöasentoon

1. Kahvan asentaminen. Katso Kahvan asentaminen sivulla 144.
2. Säädä kahvan korkeus. Katso Kahvan korkeuden säätäminen sivulla 144.



HUOMAUTUS: Varmista, että kaapelit eivät ole liian kireällä. Kiristäminen liian tiukalle voi vahingoittaa kaapelia, kun kahva käännetään kuljetusasentoon.



VAROITUS: Älä käytä tuotetta, ellei kahva ole kokonaan taitettu ylös ja asetettu johonkin soveltuvaan korkeusasentoon. Katso Kahvan korkeuden säätäminen sivulla 144.

Leikkuukorkeuden asettaminen

Leikkuukorkeuden säädössä on 6 korkeutta.

1. Pysäytä moottori.

2. Lisää leikkuukorkeutta siirtämällä leikkuukorkeuden säätövipua taaksepäin. (Kuva 22)
3. Vähennä leikkuukorkeutta siirtämällä leikkuukorkeuden säätövipua eteenpäin.



HUOMAUTUS: Älä aseta leikkuukorkeutta liian alhaiseksi. Jos ruohikon pinta ei ole tasainen, terät voivat osua maahan.

Akku



VAROITUS: Ennen kuin käytät akkua, lue turvallisuutta käsittelevä luku niin, että ymmärrät sen sisällön. Lue myös akun ja akkulaturin käyttöohje niin, että ymmärrät sen sisällön.

Säilytä akku ja laturi oikeassa lämpötilassa.

	Ympäristön lämpötila
Akun käyttö	5–40 °C
Akun lataaminen	5–40 °C

Akun tila

Näyttö osoittaa akun varaustason ja mahdolliset akkuun liittyvät ongelmat. Akun varaustaso näytetään viiden sekunnin ajan tuotteen sammuttamisen tai akun varaustilan ilmaisimien -painikkeen painamisen jälkeen. Virheen tapahtuessa akun varoitusymboli syttyy. Katso Akku sivulla 148.

(Kuva 23)

LED-valot	Akun tila
Kaikki LED-valot palavat.	Täysin ladattu (75–100 %)
LED 1, LED 2 ja LED 3 palavat	Akun varaustaso on 50–75 %
LED 1 ja LED 2 palavat	Akun varaustaso on 25–50 %
LED 1 palaa	Akun varaustaso on 0–25 %

LED-valot	Akun tila
LED 1 vilkkuu.	Akku on tyhjä. Lataa akku.

Akun lataaminen

Lataa akku ennen ensimmäistä käyttökertaa. Akun varaus on toimitettaessa vain 30 %.

Huomaus: Akkulaturi on kytkettävä tyyppikilven mukaiseen jännitteeseen ja taajuuteen.

Akku ei lataudu, jos akun lämpötila on yli 50 °C. Akkulaturi viilentää akkua ennen kuin se alkaa latautua.

1. Kytke akkulaturin virtajohdon toinen pää akkulaturin liitäntään.
2. Kytke sitten akkulaturin virtajohdon toinen pää maadoitettuun pistorasiaan. Akkulaturin vihreä merkkivalo vilkkuu kerran. (Kuva 24)
3. Aseta akku akkulaturiin. Laturin vihreä valo syttyy, kun akku on kytketty oikein akkulaturiin. (Kuva 25)
4. Kun akun kaikki LED-merkkivalot syttyvät, akku on ladattu täyteen. Lataa akkua enintään 24 tuntia.
5. Kun irrotat akkulaturin pistorasiasta, älä vedä johdosta, vaan pistokkeesta.
6. Irrota akku akkulaturista.

Akun varaustila

Husqvarna Litiumioniakkuja voidaan ladata niiden varaustasosta riippumatta. Akku ei ole vaurioitunut. Täyteen ladattu akku ei menetä varaustaan, vaikka se jätettäisiinkin laturiin.

LED-näyttö	Varaustila
LED 1 vilkkuu.	0–25 %
LED 1 palaa, LED 2 vilkkuu	25–50 %
LED 1 ja LED 2 palavat ja LED 3 vilkkuu.	50–75 %
LED 1, LED 2 ja LED 3 palavat, LED 4 vilkkuu.	75–100 %
LED 1, LED 2, LED 3, LED 4 palavat	Täyteen ladattu

Laitteen käynnistäminen

1. Avaa akun kansi.
2. Aseta ladattu akku akun pidikkeeseen.
3. Käännä turva-avain asentoon 1. (Kuva 26)
4. Seiso tuotteen takana.
5. Avaa käynnistysenesto. (Kuva 17)
6. Työnnä moottorin jarrukahvaa kahvaston suuntaan. (Kuva 27)

Save™-toiminnon käyttäminen

Laitteessa on akkua säästävä toiminto (Save™), joka pidentää käyttöaikaa.

- Käynnistä toiminto painamalla Save™-painike asentoon 1. (Kuva 28)
- Pysäytä toiminto painamalla Save™-painike asentoon 0.

Huomaus: Save™-toiminto sammuu automaattisesti, jos nurmikon olosuhteet vaativat suurempaa tehoa. Save™-toiminto käynnistyy automaattisesti uudelleen, kun nurmikon olosuhteet sallivat sen.

Suuri kuormitus -toiminto

Kun laitteella leikataan korkeaa tai märkää ruohoa, moottori lisää automaattisesti kierrosnopeutta. Moottori siirtyy takaisin normaaliin tilaan, kun suuri kuormitus ei ole tarpeen.

Moottori sammuu

Käytön aikana terä ja moottori voivat pysähtyä väliaikaisesti esimerkiksi leikkuusuojuksen alla olevan ruohotukoksen vuoksi. Jos näin käy ja pidät moottorin jarrukahvaa painettuna alas, laite käynnistyy automaattisesti uudelleen. Jos laite ei käynnisty uudelleen 5–10 sekunnin kuluessa, leikkuusuojuksen alus täytyy mahdollisesti puhdistaa. Katso kohta Laitteen puhdistaminen sivulla 147.



VAROITUS: Jos moottori pysähtyy, laite yrittää käynnistyä automaattisesti uudelleen 5–10 sekunnin ajan. Odota vähintään 15 sekuntia, ennen kuin tarkistat leikkuusuojuksen.



VAROITUS: Ennen kuin tarkistat leikkuusuojuksen, vapauta moottorin jarrukahva, käännä turva-avain asentoon 0, irrota akku ja odota vähintään viisi sekuntia. Jos este poistetaan ja laite käynnistyy vahingossa, seurauksena on loukkaantumisvaara.

Laitteen pysäyttäminen



VAROITUS: Käännä turva-avain asentoon 0, ennen kuin jätät laitteen ilman valvontaa.

1. Pysäytä moottori vapauttamalla moottorin jarrukahva. (Kuva 29)
2. Avaa akun kansi ja käännä turva-avain asentoon 0. (Kuva 30)

3. Irrota akku painamalla kahta vapautuspainiketta ja vedä akku ulos. (Kuva 31)
4. Lataa akku, jos sen lataustaso on alhainen. Katso lisätietoja kohdasta Akun lataaminen sivulla 145.

- Leikkaa joka kerta eri suuntiin, jotta nurmikkoon ei tule raitoja.
- Pidä leikkuusuojus puhtaana. Leikkuusuojuksen sisäpuolelle kertynyt ruoho ja lika voivat heikentää leikkuutuloksia. Katso kohta Laitteen puhdistaminen sivulla 147.

Hyvän tuloksen saavuttaminen

- Käytä aina hyvin teroitettua terää. Tylsä terä leikkaa epätasaisesti ja ruohosta tulee keltaista leikatun pinnan kohdalta. Hyvin teroitettu terä käyttää myös tylsää terää vähemmän energiaa.
- Älä leikkaa enempää kuin 1/3 ruohon pituudesta. Aseta leikkuukorkeus ensimmäisellä leikkuukerralla korkeaksi. Tutkittuasi leikkuutuloksen voit laskea leikkuukorkeuden haluamallasi tasolle. Jos ruoho on erittäin pitkää, kulje hitaasti ja leikkaa nurmikko tarvittaessa kaksi kertaa.

Huolto

Johdanto



VAROITUS: Ennen minkäänlaisten huoltotöiden aloittamista sinun on luettava turvallisuutta käsittelevä luku niin, että ymmärrät sen sisällön.

Kaikkiin tuotteelle tehtäviin huolto- ja korjaustöihin tarvitaan erityiskoulutus. Takaamme, että tuotteemme huolletaan ja korjataan ammattimaisesti. Jos jälleenmyyjäsi ei ole huoltoliike, pyydä jälleenmyyjää neuvomaan lähin huoltoliike.

Katso lisätietoja kohdasta www.husqvama.com.

Huoltokaavio

Huoltovälit on laskettu tuotteen päivittäisen käytön perusteella. Välit voivat muuttua, jos tuotetta ei käytetä päivittäin.

Saat lisätietoja *-merkillä merkityistä huolloista kohdasta Turvallisuus sivulla 139.

	Jokaisella käyttökerralla	Kuukausittain	Kerran käyttökaudessa
Tee yleistarkastus.	X		
Puhdista tuote.	X		
Puhdista kahvan korkeuden säätösangan alue.	X		
Tarkista käynnistyksenesto. *	X		
Varmista, että laitteen turvalaitteissa ei ole vikoja. *	X		
Tarkista terävarustus.	X		
Tarkista leikkuusuojus. *	X		
Tarkista moottorin jarrukahva. *	X		
Tarkista akku vaurioiden varalta.	X		
Tarkista akun varaustila.	X		
Tarkista, että akun vapautuspainikkeet toimivat asianmukaisesti ja että akku lukittuu tuotteeseen.	X		
Tarkista akkulaturi vaurioiden varalta ja varmista, että se toimii asianmukaisesti.		X	

	Jokaisella käyttökerralla	Kuukausittain	Kerran käyttökaudessa
Tarkista akun ja laitteen väliset kytkennät. Tarkista myös akun ja akkulatorin välinen kytkentä.			X

Yleistarkastus

- Varmista, että tuotteen kaikki ruuvit ja mutterit on kiristetty.
- Varmista, että laitteen kaapelit on asennettu siten, että ne eivät vahingoitu.

Laitteen puhdistaminen

- Puhdista muoviosat puhtaalla ja kuivalla liinalla.
- Älä käytä vettä, kun puhdistat laitetta. Vesi voi päästä akkuun tai moottoriin ja vaurioittaa laitetta tai aiheuttaa oikosulun.
- Älä käytä laitteen puhdistamiseen painepesuria.
- Älä suihkuta vettä suoraan moottorin päälle.
- Poista lehdet, ruoho ja lika harjalla.

Akun ja akkulatorin puhdistaminen



VAROITUS: Älä pese akkua tai akkulatoria vedellä.



VAROITUS: Älä puhdista akkua kemiallisilla aineilla.

- Varmista, että akku ja akkulatori ovat puhtaita ja kuivia ennen kuin laitat akun akkulatoriin.
- Puhdista akun liittimet paineilmalla tai pehmeällä, kuivalla liinalla.
- Puhdista akun ja akkulatorin pinnat pehmeällä, kuivalla liinalla.

Kahvan korkeuden säätösangan alueen puhdistaminen

- Poista lehdet, ruoho ja lika harjalla. (Kuva 32)

Terävarustuksen tarkistaminen



VAROITUS: Jotta kone ei käynnisty vahingossa, käännä turva-avain asentoon 0, irrota akku ja odota vähintään viisi sekuntia.



VAROITUS: Käytä suojakäsineitä huoltaessasi terävarustusta. Terä on erittäin terävä ja aiheuttaa helposti haavoja.

1. Tutki terävarustus vaurioiden tai halkeamien varalta. Vaurioitunut terävarustus on aina vaihdettava.
2. Tarkista, onko terä vaurioitunut tai tylsä.

Huomautus: Terä on tasapainotettava oikein teroituksen jälkeen. Anna huoltoliikkeen teroittaa, vaihtaa ja tasapainottaa terä. Jos osut esteeseen niin, että tuote pysähtyy, vaihda vaurioitunut terä. Anna huoltoliikkeen arvioida, voiko terän teroittaa vai onko se vaihdettava.

Terän vaihtaminen

Katso Tekniset tiedot sivulla 150 tarkistaaksesi oikean terätyypin.



VAROITUS: Lukitse terä puukiilalla, jotta sormet eivät pääse vahingoittumaan terää vaihdettaessa. Terää voi liikuttaa, kun moottori on sammutettu, ja sormet voivat jäädä terän ja liikkumattomien osien väliin.

1. Lukitse terä puukiilalla. (Kuva 33)
2. Irrota teräpultti, aluslevy ja terä. (Kuva 34)
3. Tutki terän tuki ja teräpultti vaurioiden varalta.
4. Tutki moottorin akseli ja varmista, ettei se ole vääntynyt.
5. Asenna uusi terä siten, että terän taitetut kulmat osoittavat leikkusuojuksen suuntaan. (Kuva 35)
6. Varmista, että terä on kohdistettu moottorin akselin keskiosan kanssa.
7. Lukitse terä puukiilalla. Kiinnitä jousialuslevy paikalleen ja kiristä pultti ja aluslevy momenttiin 23–28 Nm. (Kuva 36) (Kuva 34)
8. Pyöritä terää käsin ja varmista, että se pyörii vapaasti.



VAROITUS: Käytä paksuja käsineitä. Terä on erittäin terävä ja aiheuttaa helposti haavoja.

9. Testaa terää käynnistämällä tuote. Jos terä ei ole kiinnitetty asianmukaisesti, tuote tärkei tai sen leikkuutus ei ole tyydyttävä.

Vianmääritys

Akku

Akun merkkivalo	Syy	Ratkaisu
Vihreä merkkivalo vilkkuu	Akun jännite on alhainen.	Lataa akku. Katso kohta Akun lataaminen sivulla 145.
Vian merkkivalo vilkkuu.	Akun varaus on heikko.	Lataa akku. Katso kohta Akun lataaminen sivulla 145.
	Työympäristön lämpötila on liian korkea tai liian matala.	Käytä akkua 5–40 °C:n lämpötilassa.
	Ylijännite.	Varmista, että verkkojännite vastaa laitteeseen kiinnitetyssä arvokilvessä ilmoitettua jännitettä. Irrota akku akkulatorista. Odota viisi sekuntia ja yritä ladata akkua uudelleen. Jos ongelma jatkuu, ota yhteys hyväksytyyn huoltoliikkeeseen.
Vian merkkivalo palaa.	Akkukennoston väli liian suuri (1 V).	Ota yhteys valtuutettuun huoltoliikkeeseen.

Akkulaturi

Akkulaturin merkkivalo	Syy	Ratkaisu
Vian merkkivalo vilkkuu.	Työympäristön lämpötila on liian korkea tai liian matala.	Käytä akkulaturia 5–40 °C:n lämpötilassa.
Vian merkkivalo palaa.		Ota yhteys valtuutettuun huoltoliikkeeseen.

Ruohonleikkuri

Varoitusmerkkivalo (vian merkkivalo) on akun kannen alapuolella.

Ongelma	Vian merkivalo (vilkahdusten määrä)	Syy	Ratkaisu
Vian merkivalo vilkkuu. Laitteessa on toimintahäiriö.	5	Terä on jumissa.	Käännä turva-avain asentoon 0, jotta laite ei käynnisty vahingossa. Irrota akku ja odota vähintään viisi sekuntia. Poista mahdolliset esteet ja varmista, että terä pyörii vapaasti. Jos ongelma jatkuu, ota yhteys hyväksytyyn huoltoliikkeeseen.
		Moottorin nopeus laskee liikaa ja moottori pysähtyy.	Nosta leikkuukorkeutta. Katso Leikkuukorkeuden asettaminen sivulla 144.
	10	Moottorin ohjaus on liian kuumaa.	Sammuta moottori ja odota, että se jäähtyy.
Vian merkivalo vilkkuu. Laite pysähtyy.	0	Akkuliitinvika.	Tarkista akkuliitin.
	3	Moottori on ylikuormittunut.	Nosta leikkuukorkeutta. Katso Leikkuukorkeuden asettaminen sivulla 144.
	8	Akun varaus on heikko.	Lataa akku. Katso Akun lataaminen sivulla 145.
	9	Akkuvika tai akusta ei saada signaalia.	Aseta akku laitteeseen asianmukaisesti ja tarkista akkuliitin. Jos akun vian merkivalo vilkkuu. Katso Akun tila sivulla 144.
	12	Väärä käynnistysmenettely. Moottorin jarrukahva on kytketty ennen moottorin käynnistymistä.	Vapauta moottorin jarrukahva ja odota noin viisi sekuntia. Käynnistä laite painamalla moottorin jarrukahva uudelleen alas.
Muut virheet.	Jos muita virheitä ilmenee, käännä turva-avain asentoon 0, irrota akku ja ota yhteys valtuutettuun huoltoliikkeeseen.		

Kuljettaminen, säilyttäminen ja hävittäminen

Johdanto



VAROITUS: Jotta kone ei käynnisty vahingossa korjaus- ja huoltotöiden aikana, käännä turva-avain asentoon 0, irrota akku ja odota vähintään viisi sekuntia.

Laitteen asettaminen kuljetusasentoon

1. Paina korkeuden säätösankaa jalalla. (Kuva 37)
2. Vedä kahva ylös ja vedä korkeuden säätösanka ulos urasta.
3. Taita kahvaa eteenpäin, kunnes se on aääriasennossa. (Kuva 38)
4. Taita korkeuden säätösanka kohti leikkuusuojusta. (Kuva 39)

5. Löysää kahvan nupit. (Kuva 40)
6. Taita ylempi kahva taakse. (Kuva 41)

Kuljettaminen

- Vaarallisten aineiden lainsäädännön määräykset koskevat tuotteessa olevia litiumioniakkuja.
- Tavarakuljetuksessa on noudatettava pakkausta ja merkintöjä koskevia erityismääräyksiä.
- Muista noudattaa vaarallisia aineita koskevia määräyksiä, kun valmistelet laitetta kuljetukseen. Myös mahdollisia paikallisia määräyksiä on noudatettava.
- Irrota akku aina kuljetuksen ajaksi.
- Teippaa akkuliittimet ja varmista, että akku ei pääse liikkumaan kuljetuksen aikana.
- Kiinnitä laite kuljetuksen ajaksi.

Säilytys

- Anna laitteen jäähtyä ennen varastointia.
- Irrota akku aina säilytyksen ajaksi.
- Onnettomuuksien välttämiseksi varmista, ettei akku ole kytkettyä laitteeseen säilytyksen aikana.
- Säilytä akkulaturia ainoastaan suljetussa ja kuivassa paikassa.
- Säilytä akkua ja akkulaturia kuivassa paikassa, jossa lämpötila ei laske pakkasen puolelle.
- Irrota akku akkulaturista varastoinnin ajaksi.
- Älä säilytä akkua paikassa, jossa on staattista sähköä. Älä säilytä akkua metallilaatikossa.
- Säilytä laitetta paikassa, jonka lämpötila on $-10...40$ °C.
- Säilytä akkua $5-25$ °C:n lämpötilassa ja poissa suorasta auringonvalosta.
- Säilytä akkulaturia $5-45$ °C:n lämpötilassa ja poissa suorasta auringonvalosta.
- Varmista, että akun varaustaso on 30–50 % ennen pitkäaikaista säilytystä.
- Säilytä laitetta, akkua ja akkulaturia lukitussa tilassa lasten ja asiaankuulumattomien henkilöiden ulottumattomissa.

- Puhdista laite ja varmista, että ruohonkerääjä on tyhjä.
- Huolla tuote ainoastaan käyttöohjekirjassa annettujen ohjeiden mukaisesti. Katso kohta Huoltokaavio sivulla 146.
- Tee täysi huolto ennen pitkäaikaista säilytystä.

Hävittäminen

Laitteessa tai sen pakkauksessa olevat symbolit osoittavat, ettei laitetta saa hävittää kotitalousjätteen mukana. Se on toimitettava asianmukaiseen sähkö- ja elektroniikkalaitteiden keräyspisteeseen.

Varmistamalla laitteen asianmukaisen hävittämisen autat vähentämään mahdollisia negatiivisia ympäristövaikutuksia, joita tämän laitteen virheellisestä hävittämisestä koituisi. Lisätietoja tämän laitteen kierrätyksestä saat ottamalla yhteyden kotikuntasi viranomaisiin, jätehuoltoon tai laitteen myyneeseen liikkeeseen.

(Kuva 42)

Tekniset tiedot

	LB 144i
Leikkuumoottori	
Moottorityyppi	BLDC (harjaton) 36 V
Moottorin nopeus – SavE, r/min	2 600/min
Moottorin nopeus – nimellinen, r/min	3 200/min
Moottorin nopeus – suuri kuormitus, r/min	3 500/min
Moottorin teho – enintään, kW	0,9
Moottorin teho – nimellisteho, kW	0,75
Ajomoottori	
Moottorin teho – nimellisteho, kW	–
Liikkumisnopeus, km/h	–
Nopeuden säätötaset	–
Paino	
Paino ilman akkua, kg	15,5
Paino (sis. 1 x BLi30), kg	17,5
Akku	
Akkutyyppe	Husqvarna-akkusarja
Akun käyttöaika	

	LB 144i
Akun käyttöaika, min, (vapaa käyttö) SavE-toiminto käytössä, yksi 7,5 Ah:n Husqvarna-akku (BLi30).	170
Akun käyttöaika, min, (vapaa käyttö) normaali tila käytössä, yksi 7,5 Ah:n Husqvarna-akku (BLi30).	135
Melupäästöt ²⁵	
Äänentehotaso, mitattu dB(A)	90
Äänentehotaso, taattu L _{WA} dB(A)	92
Äänitasot ²⁶	
Äänenpainetaso käyttäjän korvan tasalla, dB(A)	77
Tärinätasot ²⁷	
Työntöaisa, m/s ²	0,7
Terävarustus	
Leikkuukorkeus, mm	25–75
Leikkuuleveys, cm	44
Terä, vakio	Silppuvaava 5298073-10
Terälisävaruste	–

Hyväksytyt akut	Tyyppi	Akun kapasiteetti, Ah	Jännite, V	Paino, lb/kg
40-B140	Litiumioni	4,0	36	2,6/1,2
BLi30	Litiumioni	7,5	36	4,2/1,9

Hyväksytyt laturit määritetyille BLi-akuille	Tulojännite, V	Taajuus, Hz	Teho, W
40-C80	100–240	50–60	68,8
QC250	220–240	50	250

²⁵ Melupäästö ympäristöön äänitehona (L_{WA}) EY-direktiivin 2000/14/EY mukaisesti mitattuna.

²⁶ Äänenpainetaso ilmoitettujen tietojen tyypillinen epävarmuus on K eli 1,5 dB(A).

²⁷ Tärinätasojen ilmoitettujen tietojen tyypillinen epävarmuus on K eli 1,5 m/s². Ilmoitettu tärinän kokonaisarvo on mitattu standardin EN 62841-4-3 liitteen I mukaisesti, ja sen avulla laitteita voi verrata keskenään ja sitä voi käyttää myös altistuksen alustavassa arvioinnissa.

Vaatimustenmukaisuusvakuutus

EU-vaatimustenmukaisuusvakuutus

Husqvarna AB, SE-561 82 Huskvarna, Ruotsi, puh. +46
36 146500, vakuuttaa täten, että tuote:

Kuvaus	Ruohonleikkuri
Tuotemerkki	Husqvarna
Tyyppi/malli	LB 144i
Tunniste	Sarjanumerot vuodesta 2022 alkaen

vastaavat täysin seuraavien EU:n direktiivien ja
asetusten vaatimuksia:

Asetus	Kuvaus
2006/42/EC	konedirektiivi
2014/30/EU	EMC-direktiivi
2000/14/EC	Melupäästädirektiivi
2011/65/EU	Direktiivi tiettyjen vaarallisten aineiden käytön rajoittamisesta sähkö- ja elektroniikkalaitteissa

ja että asiassa sovelletaan seuraavia standardeja
ja/tai teknisiä tietoja: EN 62841-1:2015/AC:2015, EN
IEC 62841-4-3:2021/A11:2021, EN ISO 12100:2010,
EN 55014-1:2021, EN 55014-2:2021, EN IEC
61000-6-2:2019, EN IEC 61000-6-3:2021, EN IEC
63000:2018

Ilmoitettu tarkastuslaitos: 0404, RISE SMP
Svensk Maskinprovning AB, Box 4053, SE-904
03 Umeå, Sweden vakuuttaa yhdenmukaisuuden
neuvoston direktiivin 2000/14/EY mukaisesti,
vaatimustenmukaisuuden arviointimenettely: liite VI.

Katso lisätietoja melupäästöistä osiosta Tekniset tiedot
sivulla 150.

Huskvarna, 2022-12-05



Claes Losdal, kehityspäällikkö/puutarhatuotteet,
Husqvarna AB

Teknisestä dokumentaatiosta vastaava edustaja



Sommaire

Introduction	153	Dépannage	164
Sécurité.....	154	Transport, entreposage et mise au rebut	166
Montage	159	Caractéristiques techniques.....	167
Utilisation.....	160	Déclaration de conformité	169
Entretien.....	162		

Introduction

Description du produit

Le produit est une tondeuse rotative à pousser qui utilise le système BioClip pour transformer l'herbe en engrais.

Aperçu du produit

(Fig. 1)

1. Poignée/Guidon
2. Poignée de frein moteur
3. Antidémarrage
4. Poignées de levage
5. Carter de coupe
6. Levier de hauteur de coupe
7. Clé de sécurité
8. Couvercle de batterie
9. Manette de réglage de la hauteur du guidon
10. Bouton SavE
11. Témoin d'avertissement (LED d'erreur)
12. Manuel d'utilisation
13. Chargeur de batterie (accessoire)
14. Batterie (accessoire)

Symboles concernant le produit

- (Fig. 2) **AVERTISSEMENT**
- (Fig. 3) Lisez les instructions.
- (Fig. 4) **AVERTISSEMENT** - Prenez garde aux projections d'objets.
- (Fig. 5) Éloignez les personnes à proximité.
- (Fig. 6) **AVERTISSEMENT** - Maintenez vos mains et vos pieds à distance des lames.
- (Fig. 7) **AVERTISSEMENT** - Débranchez la batterie avant l'entretien.
- (Fig. 8) Le produit ou son emballage ne font pas partie des ordures ménagères. Déposez-le dans une station de recyclage pour équipements électriques et électroniques.

Utilisation prévue

Utilisez le produit pour couper l'herbe. N'utilisez pas ce produit pour d'autres travaux.

- (Fig. 9) Étiquette relative aux émissions sonores dans l'environnement selon les directives et réglementations européennes et du Royaume-Uni et la législation de la Nouvelle-Galles du Sud « Protection of the Environment Operations (Noise Control) Regulation 2017 ». Le niveau de puissance sonore garanti du produit est spécifié à la section Caractéristiques techniques à la page 167 et sur l'étiquette.
- (Fig. 10) Cet accessoire est conforme aux directives CE en vigueur.
- (Fig. 11) Ce produit est conforme aux directives applicables en vigueur au Royaume-Uni.
- (Fig. 12) Le produit est protégé contre les gouttes d'eau.
- (Fig. 13) Relâchez la poignée de frein moteur pour arrêter.
- (Fig. 14) Code optiquement lisible.

Remarque: les autres symboles/autocollants présents sur le produit concernent des exigences de certification spécifiques à certains marchés.

Responsabilité

Conformément à la loi sur la responsabilité du fait des produits, nous déclinons toute responsabilité pour tout dommage causé par notre produit si :

- le produit n'est pas correctement réparé ;
- le produit est réparé avec des pièces qui ne proviennent pas du fabricant ou qui ne sont pas homologuées par le fabricant ;

- le produit est équipé d'un accessoire qui ne provient pas du fabricant ou qui n'est pas homologué par le fabricant ;

- le produit n'est pas réparé par un centre d'entretien agréé ou par une autorité homologuée.

Sécurité

Définitions de sécurité

Des avertissements, des recommandations et des remarques sont utilisés pour souligner des parties spécialement importantes du manuel.



AVERTISSEMENT: Symbole utilisé en cas de risque de blessures ou de mort pour l'opérateur ou les personnes à proximité si les instructions du manuel ne sont pas respectées.



REMARQUE: Symbole utilisé en cas de risque de dommages pour le produit, d'autres matériaux ou les environs si les instructions du manuel ne sont pas respectées.

Remarque: Symbole utilisé pour donner des informations supplémentaires pour une situation donnée.

Consignes générales de sécurité des produits



AVERTISSEMENT: Lisez l'ensemble des avertissements de sécurité, des consignes, des illustrations et des spécifications fournies avec ce produit. Le non-respect des consignes énumérées ci-dessous peut être à l'origine d'un choc électrique, d'un incendie et/ou de blessures graves.

Conservez toutes ces consignes et instructions pour toute consultation ultérieure. Le terme « produit » utilisé dans les avertissements fait référence à votre produit sur secteur (filaire) ou à votre produit alimenté par batterie (sans fil).

Sécurité dans l'espace de travail

- Maintenez un espace de travail propre et bien éclairé. Les espaces encombrés ou sombres exposent à des accidents.
- **Ne l'utilisez pas dans des atmosphères explosives, en présence de gaz, de poussières ou de liquides inflammables par exemple.** Le produit provoque des étincelles qui peuvent enflammer la poussière ou les vapeurs.

- **Tenez les enfants et les spectateurs à distance lorsque le produit est en marche.** Un moment d'inattention peut vous faire perdre le contrôle.

Sécurité électrique

- **Les fiches des produits doivent être compatibles avec la prise. N'apportez jamais de modifications à la fiche. N'utilisez pas d'adaptateurs avec des produits mis à la terre.** Des fiches non modifiées et des prises compatibles réduisent le risque de choc électrique.
- **Évitez tout contact physique avec les surfaces mises à la terre telles que les tuyaux, les radiateurs, les cuisinières et les réfrigérateurs.** Le risque d'électrocution est plus important si le corps est relié à la terre.
- **Protégez les produits de la pluie et de l'humidité.** Toute infiltration d'eau dans un produit augmente le risque d'électrocution.
- **Ne malmenez pas le cordon. N'utilisez jamais le cordon pour porter, tirer ou débrancher le produit. Maintenez le cordon d'alimentation à l'écart de la chaleur, de bords tranchants ou de pièces en mouvement.** Les fils endommagés ou emmêlés augmentent le risque de choc électrique.
- **Lorsqu'un produit est utilisé en extérieur, installez une rallonge adaptée à un usage extérieur.** L'utilisation d'un cordon d'alimentation pour usage extérieur réduit le risque d'électrocution.
- **Si vous n'avez pas d'autre choix que d'utiliser un produit dans un endroit humide, utilisez une alimentation protégée par un disjoncteur différentiel de fuite à la terre (RCD).** L'utilisation d'un RCD réduit le risque de choc électrique.

Sécurité du personnel

- **Restez attentif, regardez ce que vous faites et ayez recours à votre bon sens lorsque vous utilisez un produit. N'utilisez pas un produit si vous êtes fatigué ou sous l'emprise de drogues, d'alcool ou de médicaments.** Un moment d'inattention pendant l'utilisation des produits peut entraîner des blessures corporelles graves.
- **Utilisez un équipement de protection personnelle. Travaillez toujours avec des lunettes de protection.** Les équipements de protection tels que le masque anti-poussière, les chaussures de sécurité antidérapantes, le casque ou le protège-oreilles utilisés dans des conditions appropriées réduisent les blessures corporelles.
- **Évitez tout démarrage intempestif. Vérifiez que l'interrupteur est en position d'arrêt avant de brancher le produit sur l'alimentation et/ou la**

- batterie, de le ramasser ou de le transporter. Le fait de garder le doigt sur l'interrupteur pendant le transport des produits ou de mettre les produits sous tension alors que l'interrupteur est en position de marche entraîne un risque d'accident.
- Retirez toute clé ou clavette de réglage avant de mettre le produit sous tension. Une clé ou une clavette reliée à une pièce rotative du produit peut entraîner des blessures corporelles.
- Ne vous éloignez pas trop. Restez toujours en équilibre et sur vos appuis. Cela favorise le contrôle du produit dans les situations inattendues.
- Habilitez-vous correctement. Ne portez jamais de vêtements amples ou de bijoux. Éloignez vos cheveux et vos vêtements des pièces mobiles. Les vêtements amples, les bijoux et les cheveux longs peuvent être happés par les pièces en mouvement.
- Si des dispositifs sont fournis pour raccorder des systèmes de collecte et d'extraction de la poussière, vérifiez qu'ils sont correctement branchés et utilisés. L'utilisation de systèmes de collecte de poussière peut réduire les risques associés à la poussière.
- La connaissance des produits, acquise par l'usage fréquent de ces derniers, ne doit pas vous dispenser d'être prudent et d'appliquer les principes de sécurité. Une action inconsiderée peut provoquer de graves blessures en une fraction de seconde.

Utilisation et entretien du produit

- Ne forcez pas le produit. Utilisez le produit convenant à l'application. Le produit approprié réalisera mieux son travail et de façon plus sûre, à la vitesse pour laquelle il a été conçu.
- N'utilisez pas le produit si l'interrupteur ne permet pas la mise sous tension ou l'arrêt. Tout produit impossible à commander avec l'interrupteur est dangereux et doit être réparé.
- Débranchez la fiche de la prise et/ou retirez la batterie, si celle-ci est amovible, avant de procéder aux réglages, de changer les accessoires ou de stocker les produits. Ces mesures de sécurité préventive réduisent le risque de mise sous tension accidentelle du produit.
- Rangez les produits hors de la portée des enfants et ne laissez pas des personnes qui ne connaissent pas le produit ou ces consignes utiliser le produit. Les produits sont dangereux s'ils se retrouvent entre les mains d'utilisateurs non formés.
- Veillez à entretenir les produits et leurs accessoires. Vérifiez que des pièces en mouvement ne sont pas désalignées ou grippées, que des composants ne sont pas cassés ou détériorés de façon telle à nuire au bon fonctionnement du produit. S'il est endommagé, faites réparer le produit avant toute réutilisation. De nombreux accidents sont dus à des produits mal entretenus.
- Maintenez les outils tranchants aiguisés et propres. Des outils tranchants correctement entretenus avec des bords aiguisés sont moins susceptibles de se coincer et sont plus faciles à contrôler.

- Utilisez le produit, les accessoires, les mèches, etc. en suivant ces consignes et en tenant compte des conditions de travail et de la tâche à réaliser. L'utilisation du produit pour des opérations autres que celles pour lesquelles il a été prévu peut entraîner des situations dangereuses.
- Les poignées et les surfaces de maintien doivent toujours être propres, sèches et sans traces d'huile ni de graisse. Les poignées et les surfaces de maintien glissantes ne permettent pas une manipulation et un contrôle sûrs du produit dans des situations inattendues.

Utilisation et entretien d'un outil à batterie

- Ne rechargez la machine qu'avec le chargeur indiqué par le fabricant. Un chargeur convenant à un type de bloc de batteries particulier peut entraîner un risque d'incendie s'il est utilisé avec un autre bloc.
- Utilisez les produits uniquement avec les batteries spécifiquement préconisées. L'utilisation d'une autre batterie peut entraîner un risque de blessure et d'incendie.
- Lorsque la batterie n'est pas utilisée, maintenez-la à distance d'objets métalliques, tels que des trombones, pièces de monnaie, clés, clous, vis, ou autres petits objets en métal risquant de relier une borne à l'autre. Court-circuiter les bornes de batterie entraîne un risque de brûlures et d'incendie.
- En cas d'utilisation abusive, du liquide peut s'échapper de la batterie ; évitez tout contact. En cas de contact accidentel, rincez à l'eau. En cas de contact avec les yeux, consultez un médecin. Le liquide échappé de la batterie peut causer irritations et brûlures.
- N'utilisez pas un bloc batterie ou un outil endommagé ou modifié. Les batteries endommagées ou modifiées peuvent présenter un comportement imprévisible pouvant provoquer un incendie, une explosion ou un risque de blessure.
- N'exposez pas un bloc batterie ou un outil au feu ou à des températures trop élevées. L'exposition au feu ou à des températures supérieures à 130 °C / 265 °F peut provoquer une explosion.
- Respectez toutes les instructions de charge et ne chargez pas le bloc batterie ou l'outil en dehors de la plage de température spécifiée dans les instructions. Ne pas charger la batterie correctement ou la charger à des températures comprises en dehors de la plage spécifiée peut endommager la batterie et augmenter le risque d'incendie.

Service

- Confiez l'entretien de votre produit à un mécanicien qualifié qui utilisera uniquement des pièces de recharge identiques. Cela permet de garantir la sécurité du produit.
- Ne jamais entretenir des batteries endommagées. L'entretien des batteries doit être effectué uniquement par le fabricant ou des fournisseurs de services agréés.

Consignes de sécurité de la tondeuse

- **N'utilisez pas la tondeuse par mauvais temps, en particulier lorsqu'il y a un risque de foudre.** Cela permet de réduire le risque d'être frappé par la foudre.
- **Inspectez soigneusement la zone où la tondeuse doit être utilisée, afin de repérer la faune éventuelle.** En effet, elle peut être blessée par la tondeuse pendant son fonctionnement.
- **Inspectez attentivement la zone où la tondeuse doit être utilisée et retirez toutes les pierres, les bouts de bois, les câbles, les os et autres corps étrangers.** Les objets projetés peuvent entraîner des blessures.
- **Avant toute utilisation de la tondeuse, effectuez toujours une inspection visuelle pour vérifier que la lame et l'ensemble de lame ne sont ni usés ni endommagés.** L'utilisation de pièces usées ou endommagées augmente le risque de blessure.
- **Contrôlez régulièrement le bac de ramassage pour détecter tout signe d'usure ou de détérioration.** Un bac de ramassage usé ou endommagé peut augmenter le risque de blessures.
- **Maintenez les protections en place. Les protections doivent être en bon état de marche et correctement montées.** Une protection desserrée, endommagée ou ne fonctionnant pas correctement peut entraîner des blessures.
- **Veillez à ce qu'aucun débris ne se loge dans les arrivées d'air de refroidissement.** L'obstruction des arrivées d'air et la présence de débris peuvent entraîner une surchauffe ou un risque d'incendie.
- **Lors de l'utilisation de la tondeuse, portez toujours des chaussures de protection et antidérapantes. N'utilisez pas la tondeuse si vous êtes pieds nus ou si vous portez des sandales.** Cela réduit le risque de blessure aux pieds en cas de contact avec la lame en mouvement.
- **Lorsque vous utilisez la tondeuse, portez toujours un pantalon.** Le risque de blessures dues à la projection d'objets est plus grand lorsque la peau est exposée.
- **La tondeuse ne doit pas être utilisée sur de l'herbe humide. Marchez, ne courez jamais.** Vous risquez de glisser et de tomber, ce qui peut entraîner des blessures.
- **Évitez d'utiliser la tondeuse sur des pentes trop raides.** Vous limitez ainsi le risque de perte de contrôle, de glissade et de chute, sources de blessures éventuelles.
- **Lorsque vous travaillez sur une pente, veillez toujours à garder l'équilibre, en tondant l'herbe latéralement et non verticalement. Soyez prudent lorsque vous changez de direction.** Vous limitez ainsi le risque de perte de contrôle, de glissade et de chute, sources de blessures éventuelles.
- **Soyez extrêmement vigilant lorsque vous reculez ou tirez la tondeuse vers vous. Soyez toujours conscient de l'environnement qui vous entoure.** Vous limitez ainsi le risque que vous trébuchiez pendant l'utilisation.

- **Ne touchez pas les lames et les autres pièces mobiles dangereuses lorsqu'elles sont encore en mouvement.** Vous réduisez ainsi le risque de blessures dues aux pièces mobiles.
- **Lorsque vous dégagez les débris de végétaux coincés ou que vous procédez au nettoyage de la tondeuse, assurez-vous que tous les interrupteurs d'alimentation sont en position d'arrêt et que le cordon d'alimentation est débranché.** Une utilisation inappropriée de la tondeuse peut entraîner des blessures graves.

Disjoncteur différentiel de fuite à la terre

- Utilisez un disjoncteur différentiel de fuite à la terre avec un courant de déclenchement de 30 mA maximum.

Instructions générales de sécurité



AVERTISSEMENT: Lisez les instructions qui suivent avant d'utiliser le produit.

- Ce produit est dangereux s'il est utilisé de manière incorrecte ou imprudente. Des blessures graves ou mortelles peuvent se produire si vous ne respectez pas les instructions de sécurité.
- Ce produit génère un champ électromagnétique durant son fonctionnement. Ce champ peut dans certaines circonstances perturber le fonctionnement d'implants médicaux actifs ou passifs. Pour réduire le risque de blessures graves ou mortelles, les personnes portant des implants médicaux doivent consulter leur médecin et le fabricant de leur implant avant d'utiliser ce produit.
- Soyez toujours prudent et utilisez votre bon sens. Si vous ne savez pas comment faire fonctionner le produit dans une situation particulière, ne l'utilisez pas et contactez votre Husqvarna revendeur avant de poursuivre.
- N'oubliez pas que l'opérateur sera tenu responsable des accidents occasionnés à des tiers et à leurs biens.
- Maintenez le produit propre. Assurez-vous que vous pouvez lire clairement les avertissements et les autocollants.
- N'autorisez jamais des enfants ou des personnes qui ne sont pas familiarisées avec ces instructions à se servir de cet appareil. Les réglementations locales peuvent limiter l'âge de l'utilisateur.
- Surveillez constamment les personnes aux capacités physiques ou mentales réduites qui utilisent ce produit. Un adulte responsable doit être présent à tout moment.
- N'utilisez jamais l'appareil si vous êtes fatigué ou malade, ou si vous êtes sous l'emprise d'alcool, de drogues ou de médicaments. Cela a un effet négatif sur votre vision, votre vigilance, votre coordination et votre jugement.
- N'utilisez pas le produit si celui-ci est défectueux.

- Ne modifiez jamais le produit et ne l'utilisez jamais s'il est susceptible d'avoir été modifié par un tiers.

Sécurité du travail



AVERTISSEMENT: Lisez les instructions qui suivent avant d'utiliser le produit.

- Utilisez le produit uniquement pour couper les pelouses. Il est interdit d'utiliser le produit pour d'autres travaux.
- Utilisez un équipement de protection personnelle. Reportez-vous à la section Équipement de protection individuel à la page 157.
- Assurez-vous de savoir comment couper le moteur rapidement en cas d'urgence.
- Le produit ne doit pas être exposé à la pluie ou à l'humidité. Le risque de choc électrique augmente si de l'eau pénètre dans le produit.
- Faites fonctionner le produit uniquement si la lame et tous les couvercles sont fixés correctement. Une lame fixée de manière inadéquate risque de se détacher et de causer des blessures personnelles.
- Assurez-vous que la lame ne touche pas des objets tels que des pierres et des racines. Cela peut endommager la lame et tordre l'arbre du moteur. Un arbre tordu génère de fortes vibrations, il y a alors un risque important que la lame se détache.
- Arrêtez immédiatement le produit s'il vibre ou bute sur un objet. Arrêtez le moteur, tournez la clé de sécurité sur 0 et déposez la batterie. Attendez l'arrêt des pièces mobiles. Vérifiez que le produit n'est pas endommagé. Serrez les pièces desserrées. Réparez les dommages et remplacez les pièces endommagées. Faites réaliser les réparations par un agent d'entretien agréé.
- N'attachez jamais la poignée de frein moteur en permanence à la poignée de commande quand le moteur est mis en marche.
- Placez le produit sur une surface stable et plane, puis lancez-le. Vérifiez que la lame ne touche pas le sol ou tout autre objet.
- Restez toujours derrière le produit lorsque vous l'utilisez.
- Faites reposer toutes les roues sur le sol et conservez vos deux mains sur la poignée lorsque vous faites fonctionner le produit. maintenez les mains et les pieds à distance des lames en rotation.
- N'inclinez pas le produit lorsque vous démarrez le moteur ou pendant le fonctionnement du produit.
- Soyez prudent lorsque vous tirez le produit vers l'avant.
- Ne soulevez jamais le produit quand le moteur est mis en marche. Si vous devez soulever le produit, arrêtez d'abord le moteur, tournez la clé de contact sur 0 et déposez la batterie.
- Ne marchez pas vers l'arrière lorsque vous utilisez le produit.

- Arrêtez le moteur lorsqu'il est nécessaire d'incliner le produit pour le transport ou avant de vous déplacer dans des zones sans herbe, par exemple des chemins avec des graviers, des pierres et en asphalte.
- Ne courez pas lorsque vous utilisez le produit et que le moteur est mis en marche. Vous devez toujours marcher lorsque vous utilisez le produit.
- Arrêtez le moteur avant de modifier la hauteur de coupe. N'effectuez jamais de réglages pendant que le moteur tourne.
- Ne quittez jamais le produit des yeux pendant que le moteur tourne. Arrêtez le moteur et assurez-vous que l'équipement de coupe ne tourne pas.
- Les vibrations dans le produit pendant le fonctionnement peuvent être différentes de la valeur de vibration déclarée ici Caractéristiques techniques à la page 167. Cette différence est due à des variations dans la façon d'utiliser le produit. Si vous utilisez le produit fréquemment ou pendant de longues périodes, faites régulièrement des pauses pour éviter les blessures dues aux vibrations.

Consignes de sécurité pour le fonctionnement

Équipement de protection individuel



AVERTISSEMENT: Lisez les instructions qui suivent avant d'utiliser le produit.

- L'équipement de protection individuel ne protège pas complètement des blessures, mais il diminue la gravité des blessures en cas d'accident. Faites appel à votre revendeur pour vous aider à sélectionner l'équipement adéquat.
- Portez des bottes ou chaussures antidérapantes à usage intensif. Ne portez pas de chaussures ouvertes et ne soyez pas pieds nus lorsque vous utilisez le produit.
- Utilisez des pantalons longs et épais.
- Portez des gants de protection en cas de besoin, par exemple lorsque vous fixez, examinez ou nettoyez l'équipement de coupe.
- Nous vous recommandons d'utiliser une protection auditive.

Dispositifs de sécurité sur le produit



AVERTISSEMENT: Lisez les instructions qui suivent avant d'utiliser le produit.

- N'utilisez pas un produit avec des dispositifs de sécurité défectueux.
- Ne retirez ou ne modifiez pas les dispositifs de sécurité.

- Contrôlez les dispositifs de sécurité régulièrement. Si les dispositifs de sécurité sont défectueux, parlez-en à votre agent d'entretien Husqvarna.

Pour contrôler le capot de coupe

Le capot de coupe réduit les vibrations dans le produit et réduit le risque de blessures provoquées par la lame.

- Examinez le capot de coupe pour vous assurer qu'il ne présente pas de dommages tels que des fissures.

Pour contrôler la clé de sécurité

La clé de sécurité se trouve sous le couvercle de la batterie. La clé de sécurité est reliée à la batterie qui alimente le moteur.

- Démarrez et arrêtez le moteur pour contrôler la clé de sécurité.
- Si la clé de sécurité fonctionne correctement, le moteur démarre seulement lorsque la clé de sécurité est en position 1. (Fig. 15)

Pour contrôler la poignée du frein moteur

La poignée de frein moteur arrête le moteur. Lorsque la poignée de frein moteur est relâchée, le moteur s'arrête.

- Faites démarrer le produit. Reportez-vous à la section Pour démarrer le produit à la page 161.
- Relâchez la poignée de frein moteur. (Fig. 16)
- Assurez-vous que le produit s'arrête. Si le moteur ne s'arrête pas au bout de 3 secondes, demandez à un atelier Husqvarna spécialisé agréé de régler le frein moteur.

Pour contrôler l'antidémarrage

Contrôlez l'antidémarrage afin de vous assurer qu'il empêche le fonctionnement du moteur.

1. Poussez la poignée de frein moteur en direction du guidon. L'antidémarrage arrête le mouvement.
2. Poussez l'antidémarrage. (Fig. 17)
3. Relâchez l'antidémarrage et assurez-vous qu'il revient dans sa position initiale.

Consignes de sécurité relatives à l'utilisation de la batterie



AVERTISSEMENT: Lisez les instructions qui suivent avant d'utiliser le produit.

- Utilisez des batteries rechargeables Husqvarna pour alimenter les produits Husqvarna uniquement. Afin d'éviter toute blessure, n'utilisez pas la batterie comme source d'alimentation pour d'autres produits.
- N'utilisez pas de batteries non rechargeables.
- Risque de choc électrique. Ne branchez pas les bornes de la batterie à des clés, des pièces de monnaie, des vis ou tout autre élément métallique. Cela peut provoquer un court-circuit de la batterie.

- Ne placez pas d'objets dans les fentes d'aération de la batterie.
- Protégez la batterie des rayons directs du soleil, de la chaleur et des flammes nues. La batterie peut exploser et provoquer des brûlures et/ou des brûlures chimiques.
- Protégez la batterie de la pluie et de l'humidité.
- Protégez la batterie des micro-ondes et des hautes pressions.
- N'essayez pas de démonter ou de casser la batterie.
- En cas de fuite de la batterie, ne laissez pas le liquide entrer en contact avec votre peau ou vos yeux. Si vous avez touché le liquide, nettoyez la zone avec beaucoup d'eau claire et contactez un médecin.
- N'utilisez la batterie du produit que si la température ambiante est comprise entre 5 °C et 40 °C.
- N'utilisez le chargeur de batterie que si la température ambiante est comprise entre 5 °C et 40 °C.
- La batterie ne charge pas si la température de la batterie est supérieure à 50 °C.
- Ne nettoyez pas la batterie ou le chargeur de batterie avec de l'eau. Reportez-vous à la section Pour nettoyer la batterie et le chargeur de batterie à la page 163.
- N'utilisez pas de batterie défectueuse ou endommagée.
- Conservez les batteries en stock à distance des objets métalliques, tels que clous, pièces de monnaie ou bijoux.

Consignes de sécurité relatives au chargeur de batterie



AVERTISSEMENT: Lisez les instructions qui suivent avant d'utiliser le produit.

- Utilisez uniquement des chargeurs de batterie QC Husqvarna pour charger les batteries de remplacement.
- Risque de choc électrique ou de court-circuit. Ne placez pas d'objets dans les fentes d'aération du chargeur. N'essayez pas de démonter le chargeur de batterie. Ne raccordez pas les bornes du chargeur à des objets métalliques. Utilisez une prise secteur agréée.
- Ce produit génère un champ électromagnétique durant son fonctionnement. Ce champ peut dans certaines circonstances perturber le fonctionnement d'implants médicaux actifs ou passifs. Pour réduire le risque de blessures graves ou mortelles, les personnes portant des implants médicaux doivent consulter leur médecin et le fabricant de leur implant avant d'utiliser cet appareil.
- Assurez-vous régulièrement que le cordon d'alimentation du chargeur de batterie n'est pas endommagé et qu'il ne présente aucune fissure.

- Ne soulevez pas le chargeur de batterie par le cordon d'alimentation. Pour débrancher le chargeur de batterie d'une prise d'alimentation secteur, tirez sur la fiche. Ne tirez pas le cordon d'alimentation.
- Conservez le cordon d'alimentation et les rallonges à l'abri de l'eau, de l'huile et des bords tranchants. Veillez à ce que le câble ne soit pas coincé dans des portes, des clôtures ou tout autre équipement similaire. Le chargeur pourrait être mis sous tension.
- Ne nettoyez pas le chargeur de batterie avec de l'eau.
- Le chargeur de batterie peut être utilisé par des enfants âgés de 8 ans et plus et des personnes ayant des handicaps physiques, sensoriels ou mentaux ou manquant d'expérience et de connaissances à condition qu'ils aient reçu la surveillance ou les instructions appropriées concernant l'utilisation du chargeur de batterie en toute sécurité et qu'ils aient bien compris les risques encourus. Les enfants ne doivent pas jouer avec le chargeur de batterie. Le nettoyage et les opérations d'entretien à effectuer par l'utilisateur ne doivent pas être réalisés par des enfants sans surveillance.
- Ne chargez pas de batterie non rechargeable dans le chargeur de batterie.
- N'utilisez pas le chargeur de batterie à proximité de matériaux inflammables ou de matériaux pouvant provoquer la formation de corrosion. Ne recouvrez pas le chargeur de batterie. En cas de dégagement de fumée ou de début d'incendie, débranchez aussitôt la fiche reliée au chargeur de batterie.
- N'utilisez pas de chargeur de batterie défectueux ou endommagé.
- Rechargez la batterie uniquement en intérieur, dans un endroit bien aéré et à l'abri de la lumière. Ne rechargez pas la batterie dans des conditions humides.
- Afin d'éviter tout démarrage accidentel pendant l'entretien, tournez la clé de sécurité sur 0 et retirez la batterie. Attendez au moins 5 secondes avant de commencer l'entretien.
- Effectuez uniquement les tâches d'entretien décrites dans le présent manuel d'utilisation. Les interventions plus poussées et les réparations professionnelles doivent être effectuées par un agent d'entretien agréé. Contactez votre agent d'entretien le plus proche pour plus d'informations.
- Effectuez l'entretien correctement afin de prolonger la durée de vie du produit et de réduire les risques d'accident.
- Remplacez les pièces endommagées, usées ou cassées. Utilisez toujours des pièces de rechange d'origine du fabricant. L'utilisation d'autres pièces de rechange peut endommager le produit et augmenter le risque d'accident.
- Afin de limiter les risques de blessure, ne retirez ou ne modifiez pas les dispositifs de sécurité.
- Portez des gants de protection robustes lorsque vous manipulez l'équipement de coupe. La lame est très tranchante et des coupures peuvent survenir facilement.
- Maintenez les bords tranchants aiguisés et propres pour obtenir des performances optimales et sûres.
- Laissez à l'agent d'entretien le soin de contrôler régulièrement le produit et d'effectuer les réglages et les réparations nécessaires.
- Respectez les instructions relatives au remplacement des accessoires. Utilisez uniquement des accessoires obtenus auprès du fabricant.
- Lorsqu'ils ne sont pas utilisés, conservez le produit avec la batterie et le chargeur de batterie à part dans un endroit sec, en intérieur et verrouillé. Veillez à ce que les enfants et les personnes non autorisées ne puissent avoir accès au produit, à la batterie ou au chargeur de batterie.

Instructions de sécurité pour l'entretien



AVERTISSEMENT: Lisez les instructions qui suivent avant d'utiliser le produit.

Montage

Introduction



AVERTISSEMENT: Avant d'installer le produit, consultez le chapitre sur la sécurité.



AVERTISSEMENT: Pour éviter tout démarrage accidentel lors du montage, tournez la clé de sécurité sur 0, retirez la batterie et attendez au moins 5 secondes.

Pour monter la poignée

1. Repliez la poignée supérieure vers l'avant.
2. Serrez les boutons de poignée. (Fig. 18)
3. Tirez la poignée vers l'arrière jusqu'à ce qu'elle atteigne la butée.
4. Repliez la manette de réglage de la hauteur et placez-la dans la rainure. (Fig. 19)
5. Appuyez sur la manette de réglage de la hauteur avec votre pied. (Fig. 20)

Pour régler la hauteur de la poignée

1. Appuyez sur la manette de réglage de la hauteur avec votre pied.

2. Placez le guidon dans la position correcte et relâchez-le. (Fig. 21)

Utilisation

Introduction



AVERTISSEMENT: Avant d'utiliser le produit, vous devez lire et comprendre le chapitre sur la sécurité.

Husqvarna Connect

Husqvarna Connect est une application gratuite pour votre appareil mobile. L'application Husqvarna Connect offre des fonctions étendues à votre produit Husqvarna :

- Informations produit détaillées.
- Informations et aide sur les pièces et l'entretien du produit.

Pour commencer à utiliser Husqvarna Connect

1. Téléchargez l'application Husqvarna Connect sur votre appareil mobile.
2. Enregistrez-vous sur l'application Husqvarna Connect.
3. Suivez les instructions de l'application Husqvarna Connect pour vous connecter et enregistrer le produit.

Pour régler le produit en position de fonctionnement

1. Montez la poignée. Reportez-vous à la section Pour monter la poignée à la page 159.
2. Réglez la hauteur de la poignée. Reportez-vous à la section Pour régler la hauteur de la poignée à la page 160.



REMARQUE: Assurez-vous que la tension n'est pas trop élevée dans les câbles. Une tension trop élevée peut endommager le câble si la poignée est repliée en position de transport.



AVERTISSEMENT: N'utilisez pas le produit tant que la poignée n'est pas complètement repliée et réglée dans l'une des positions de hauteur possibles. Reportez-vous à la section Pour régler la hauteur de la poignée à la page 160.

Pour régler la hauteur de coupe

La hauteur de coupe peut être réglée sur 6 positions différentes.

1. Arrêtez le moteur.
2. Déplacez le levier de hauteur de coupe vers l'arrière pour augmenter la hauteur de coupe. (Fig. 22)
3. Déplacez le levier de hauteur de coupe vers l'avant pour diminuer la hauteur de coupe.



REMARQUE: La hauteur de coupe ne doit pas être réglée trop bas. Les lames également toucher le sol si la surface de la pelouse n'est pas plane.

Batterie



AVERTISSEMENT: Avant d'utiliser la batterie, vous devez lire et comprendre le chapitre sur la sécurité. Vous devez également lire et comprendre le manuel d'utilisation de la batterie et du chargeur de batterie.

Maintenez la batterie et le chargeur de batterie à des températures ambiantes correctes.

	Température ambiante
Fonctionnement de la batterie	5 °C à 40 °C
Charge de la batterie	5 °C à 40 °C

État de la batterie

L'écran indique la capacité restante de la batterie ainsi que tout problème éventuel lié à la batterie. La capacité de la batterie s'affiche pendant 5 secondes après l'arrêt du produit ou l'enfoncement de l'indicateur de batterie. Le symbole d'avertissement sur la batterie s'allume en cas d'erreur. Consultez Batterie à la page 164.

(Fig. 23)

Voyants DEL	État de la batterie
Toutes les DEL sont allumées.	Batterie complètement chargée (75-100 %)
Les DEL 1, DEL 2 et DEL 3 sont allumées	La batterie est chargée à 50 %-75 %

Voyants DEL	État de la batterie
Les DEL 1 et DEL 2 sont allumées	La batterie est chargée à 25 %-50 %
La DEL 1 est allumée	La batterie est chargée à 0 %-25 %.
La DEL 1 clignote.	La batterie est vide. Rechargez la batterie.

Pour charger la batterie

Chargez la batterie avant la première utilisation. La batterie n'est chargée qu'à 30 % au moment de sa livraison au client.

Remarque: Le chargeur de batterie doit être raccordé à la tension et à la fréquence indiquées sur la plaque signalétique.

La batterie ne se charge pas si la température de la batterie est supérieure à 50 °C. Le chargeur de batterie diminue la température de la batterie avant le début de la charge.

1. Branchez une extrémité du cordon d'alimentation du chargeur de batterie dans la prise du chargeur de batterie.
2. Branchez l'autre extrémité du cordon d'alimentation du chargeur de batterie dans une prise secteur mise à la masse. La DEL sur le chargeur de batterie clignote une fois en vert. (Fig. 24)
3. Placez la batterie dans le chargeur de batterie. Le témoin vert du chargeur s'allume lorsque la batterie est correctement branchée au chargeur de batterie. (Fig. 25)
4. La batterie est totalement rechargée quand toutes les DEL sur la batterie sont allumées. Chargez la batterie pendant 24 heures au maximum.
5. Pour débrancher le chargeur de batterie de la prise secteur, tirez sur la fiche et non sur le cordon d'alimentation.
6. Dégagez la batterie du chargeur de batterie.

Niveau de charge de la batterie

Husqvarna Vous pouvez charger ou utiliser les batteries lithium-ion quel que soit leur niveau de charge. Vous n'endommagerez pas la batterie. Une batterie pleine ne perdra pas sa charge même si elle est laissée dans le chargeur.

Affichage à DEL	État de charge
La DEL 1 clignote.	0 %-25 %
La DEL 1 est allumée, la DEL 2 clignote	25 %-50 %
Les DEL 1 et 2 sont allumées, la DEL 3 clignote.	50 %-75 %

Affichage à DEL	État de charge
Les DEL 1, 2 et 3 sont allumées, la DEL 4 clignote.	75 %-100 %
Les DEL 1, 2, 3 et 4 sont allumées	Batterie complètement chargée

Pour démarrer le produit

1. Ouvrez le couvercle de la batterie.
2. Insérez une batterie chargée dans le support de batterie.
3. Tournez la clé de sécurité sur 1. (Fig. 26)
4. Restez derrière le produit.
5. Relâchez l'antidémarrage. (Fig. 17)
6. Poussez la poignée de frein moteur en direction du guidon. (Fig. 27)

Utilisation de la fonction SaveE™

Le produit est équipé d'une fonction d'économie de la batterie (SaveE™) qui garantit une durée de fonctionnement prolongée.

- Poussez le bouton SaveE™ en position 1 pour démarrer la fonction. (Fig. 28)
- Appuyez sur le bouton SaveE™ en position 0 pour arrêter la fonction.

Remarque: La fonction SaveE™ s'arrête automatiquement lorsque les conditions de terrain nécessitent une puissance plus élevée. La fonction SaveE™ redémarre automatiquement lorsque les conditions de terrain le permettent.

Fonction charge élevée

Lorsque le produit coupe de l'herbe haute ou humide, le régime moteur augmente automatiquement. Le moteur repasse en mode standard lorsqu'une charge élevée n'est plus requise.

Calage du moteur

Au cours de l'utilisation, la lame et le moteur peuvent s'arrêter temporairement en raison d'obstacles tels qu'un bourrage d'herbe sous le carter de coupe. Si cela se produit et que vous maintenez la poignée du frein moteur enfoncée, le produit redémarre automatiquement. Si le produit ne redémarre pas dans les 5 à 10 secondes, il peut être nécessaire de nettoyer le dessous du carter de coupe. Reportez-vous à la section Pour nettoyer le produit à la page 163.



AVERTISSEMENT: Si le moteur s'arrête, le produit tente de redémarrer automatiquement pendant 5 à 10 secondes. Attendez au moins 15 secondes avant de contrôler le carter de coupe.



AVERTISSEMENT: Avant de contrôler le carter de coupe, relâchez la poignée du frein moteur, tournez la clé de sécurité sur 0, retirez la batterie et attendez au moins 5 secondes. Il existe un risque de blessure si l'obstacle est retiré et que le produit démarre accidentellement.

Arrêt du produit



AVERTISSEMENT: Tournez la clé de sécurité sur 0 avant de quitter le produit des yeux.

1. Relâchez la poignée de frein moteur pour arrêter le moteur. (Fig. 29)
2. Ouvrez le couvercle de batterie et tournez la clé de sécurité sur 0. (Fig. 30)
3. Pour retirer la batterie, appuyez sur les 2 cliquets de déverrouillage et sortez la batterie. (Fig. 31)

4. Chargez la batterie si son niveau est faible. Pour plus d'informations, reportez-vous à Pour charger la batterie à la page 161.

Pour obtenir de bons résultats

- Utilisez toujours une lame correctement affûtée. Une lame émoussée produit un résultat irrégulier et l'herbe jaunira à la surface de la coupe. De plus, une lame affûtée consomme moins d'énergie qu'une lame émoussée.
- Ne coupez pas plus d'un tiers de la longueur de l'herbe. Coupez d'abord avec une hauteur de coupe élevée. Examinez le résultat et abaissez la hauteur de coupe à un niveau convenable. Si l'herbe est très longue, tondez lentement, et deux fois si nécessaire.
- Tondez toujours dans différentes directions afin d'éviter de faire des lignes dans la pelouse.
- Assurez-vous que le carter de coupe reste propre. L'accumulation d'herbe et de saleté sur la face intérieure du carter de coupe peut réduire la qualité du résultat de coupe. Reportez-vous à la section Pour nettoyer le produit à la page 163.

Entretien

Introduction



AVERTISSEMENT: Avant d'effectuer des travaux d'entretien, vous devez lire et comprendre le chapitre sur la sécurité.

Une formation spécifique est nécessaire pour effectuer tous les travaux d'entretien et de réparation du produit. Nous garantissons qu'il vous est possible d'obtenir des services de réparation et d'entretien effectués par des professionnels. Si votre revendeur n'est pas un atelier spécialisé, demandez-lui des informations à propos de l'atelier spécialisé le plus proche.

Pour des informations plus détaillées, reportez-vous à www.husqvarna.com.

Calendrier d'entretien

Les intervalles d'entretien sont calculés selon une utilisation quotidienne du produit. Les intervalles sont différents si le produit n'est pas utilisé tous les jours.

Pour les travaux d'entretien suivis d'un astérisque (*), consultez les instructions dans la section Sécurité à la page 154.

	Toutes utilisations	Mensuel	À chaque saison
Faites une inspection générale.	X		
Nettoyez le produit.	X		
Nettoyez la zone autour de la manette de réglage de la hauteur de la poignée.	X		
Contrôlez l'antidémarrage. *	X		
Assurez-vous que les dispositifs de sécurité sur le produit ne sont pas défectueux. *	X		
Inspectez l'équipement de coupe.	X		
Inspectez le capot de coupe. *	X		
Contrôlez la poignée du frein moteur. *	X		

	Toutes utilisations	Mensuel	À chaque saison
Examinez la batterie afin de détecter d'éventuels dommages.	X		
Contrôlez le niveau de charge de la batterie.	X		
Vérifiez que les boutons de déverrouillage de la batterie fonctionnent correctement et que la batterie se fixe dans le produit.	X		
Examinez le chargeur de batterie afin de détecter d'éventuels dommages et assurez-vous qu'il fonctionne correctement.		X	
Examinez les connexions entre la batterie et le produit. Examinez également la connexion entre la batterie et le chargeur de batterie.			X

Pour faire une inspection générale

- Assurez-vous que les vis et les écrous du produit sont serrés.
- Assurez-vous que les câbles sur le produit ne sont pas dans une position où ils risquent d'être endommagés.

Pour nettoyer le produit

- Nettoyez les éléments en plastique avec un chiffon sec et propre.
- N'utilisez pas d'eau pour nettoyer le produit. L'eau pourrait pénétrer dans la batterie ou le moteur et provoquer un court-circuit ou endommager le produit.
- N'utilisez pas de nettoyeur haute pression pour le nettoyage du produit.
- Ne jetez pas d'eau directement sur le moteur.
- Utilisez une brosse pour enlever les feuilles, l'herbe et la saleté.

Pour nettoyer la batterie et le chargeur de batterie



AVERTISSEMENT: Ne nettoyez pas la batterie ou le chargeur de batterie avec de l'eau.



AVERTISSEMENT: N'utilisez pas de substances chimiques pour nettoyer la batterie.

- Assurez-vous que la batterie et le chargeur de batterie sont propres et secs avant de placer la batterie dans le chargeur de batterie.
- Nettoyez les bornes de la batterie avec de l'air comprimé ou un chiffon sec et doux.
- Nettoyez les surfaces de la batterie et du chargeur de batterie avec un chiffon sec et doux.

Pour nettoyer la zone autour de la manette de réglage de la hauteur de la poignée

- Utilisez une brosse pour enlever les feuilles, l'herbe et la saleté.
(Fig. 32)

Pour inspecter l'équipement de coupe



AVERTISSEMENT: Pour éviter tout démarrage accidentel, tournez la clé de sécurité sur 0, retirez la batterie et attendez au moins 5 secondes.



AVERTISSEMENT: Utilisez des gants de protection lorsque vous procédez à l'entretien de l'équipement de coupe. La lame est très tranchante et des coupures peuvent survenir facilement.

- Inspectez l'équipement de coupe afin de détecter d'éventuels dommages ou fissures. Remplacez toujours un équipement de coupe endommagé.
- Inspectez la lame pour voir si elle est endommagée ou émoussée.

Remarque: Il est nécessaire d'équilibrer la lame après l'avoir affûtée. Demandez à un centre d'entretien d'affûter, de remplacer et d'équilibrer la lame. Si vous heurtez un obstacle qui entraîne l'arrêt du produit, remplacez la lame endommagée. Demandez au centre d'entretien d'évaluer si la lame peut être affûtée ou si elle doit être remplacée.

Pour remplacer la lame

Reportez-vous à la section Caractéristiques techniques à la page 167 pour connaître le type de lame approprié.



AVERTISSEMENT: Bloquez la lame avec une cale en bois pour éviter de vous blesser les doigts lors du remplacement de la lame. La lame peut entrer en mouvement lorsque le moteur est éteint et vos doigts peuvent se retrouver coincés entre la lame et les pièces fixes.

1. Bloquez la lame avec une cale en bois. (Fig. 33)
2. Déposez le boulon de lame, la rondelle ressort et la lame. (Fig. 34)
3. Examinez le support de lame et le boulon de lame pour voir s'ils sont endommagés.
4. Examinez l'arbre du moteur pour vous assurer qu'il n'est pas tordu.
5. Lorsque vous fixez la nouvelle lame, orientez le tranchant en direction du capot de coupe. (Fig. 35)

6. Assurez-vous que la lame est alignée par rapport au centre de l'arbre du moteur.
7. Bloquez la lame avec une cale en bois. Fixez la rondelle ressort, puis serrez le boulon et la rondelle à un couple de 23–28 Nm. (Fig. 36) (Fig. 34)
8. Déplacez la lame à la main et vérifiez qu'elle tourne librement.



AVERTISSEMENT: Utilisez des gants de travail épais. La lame est très tranchante et des coupures peuvent survenir facilement.

9. Démarrez le produit pour tester la lame. Si la lame n'est pas correctement fixée, le produit vibre ou le résultat de coupe n'est pas satisfaisant.

Dépannage

Batterie

DEL sur la batterie	Cause	Solution
La DEL d'erreur clignote	La tension de la batterie est faible.	Rechargez la batterie. Reportez-vous à la section Pour charger la batterie à la page 161.
La LED d'erreur clignote.	La batterie est faible.	Rechargez la batterie. Reportez-vous à la section Pour charger la batterie à la page 161.
	La température de l'environnement de travail est trop élevée ou trop basse.	Utilisez la batterie à une température comprise entre 5 °C et 40 °C.
	Surtension.	Assurez-vous que la tension secteur est identique à celle indiquée sur la plaque signalétique du produit. Dégagez la batterie du chargeur de batterie. Attendez 5 secondes et essayez à nouveau de charger la batterie. Si le problème persiste, contactez un atelier spécialisé agréé.
La DEL d'erreur est allumée	L'écart de tension entre les cellules est trop important (1 V).	Contactez un agent d'entretien agréé.

Chargeur de batterie

DEL sur le chargeur de batterie	Cause	Solution
La LED d'erreur clignote.	La température de l'environnement de travail est trop élevée ou trop basse.	Utilisez le chargeur de batterie à une température comprise entre 5 °C et 40 °C.
La DEL d'erreur est allumée		Contactez un agent d'entretien agréé.

Tondeuse à gazon

Le voyant d'avertissement (LED d'erreur) se trouve sous le couvercle de la batterie.

Problème	LED d'erreur (nombre de clignotements)	Cause	Solution
La LED d'erreur clignote. Le produit ne fonctionne pas correctement.	5	La lame est bloquée.	Tournez la clé de sécurité sur 0 pour éviter tout démarrage accidentel. Retirez la batterie et attendez au moins 5 secondes. Retirez les obstacles éventuels et assurez-vous que la lame peut tourner librement. Si le problème persiste, contactez un atelier spécialisé agréé.
		La vitesse du moteur chute trop et le moteur s'arrête.	Augmentez la hauteur de coupe. Reportez-vous à la section Pour régler la hauteur de coupe à la page 160.
	10	La commande du moteur est trop chaude.	Arrêtez le moteur et attendez qu'il refroidisse.
La LED d'erreur clignote. Le produit s'arrête.	0	Défaillance du connecteur de batterie.	Examinez le connecteur de batterie.
	3	Il y a une surcharge dans le moteur.	Augmentez la hauteur de coupe. Reportez-vous à la section Pour régler la hauteur de coupe à la page 160.
	8	La batterie est faible.	Rechargez la batterie. Reportez-vous à la section Pour charger la batterie à la page 161.
	9	Erreur de batterie ou pas de signal de batterie.	Placez la batterie dans le produit correctement et examinez le connecteur de batterie. Si la LED d'erreur clignote sur la batterie. Reportez-vous à la section État de la batterie à la page 160.
	12	Procédure de démarrage incorrecte. La poignée du frein moteur a été engagée avant le démarrage du moteur.	Relâchez la poignée du frein moteur et attendez environ 5 secondes. Appuyez de nouveau sur la poignée du frein moteur pour démarrer le produit.
Autres erreurs.	Si d'autres erreurs se produisent, tournez la clé de sécurité sur 0, retirez la batterie et parlez à un agent spécialisé agréé.		

Transport, entreposage et mise au rebut

Introduction



AVERTISSEMENT: Pour éviter tout démarrage accidentel lors du transport et du remisage, tournez la clé de sécurité sur 0, retirez la batterie et attendez au moins 5 secondes.

Pour régler le produit en position de transport

1. Appuyez sur la manette de réglage de la hauteur avec votre pied. (Fig. 37)
2. Tirez la poignée vers le haut et retirez la manette de réglage de la hauteur de la rainure.
3. Repliez la poignée vers l'avant jusqu'à ce qu'elle atteigne la butée. (Fig. 38)
4. Repliez la manette de réglage de la hauteur vers le capot de coupe. (Fig. 39)
5. Relâchez les boutons de poignée. (Fig. 40)
6. Repliez la poignée supérieure vers l'arrière. (Fig. 41)

Transport

- La législation sur les marchandises dangereuses s'applique aux batteries au lithium-ion fournies.
- Les exigences spécifiques au transport commercial indiquées sur l'emballage et les étiquettes doivent être respectées.
- Assurez-vous de toujours respecter la législation sur les matières dangereuses lorsque vous préparez le produit pour le transport. Des réglementations locales peuvent s'appliquer.
- Retirez toujours la batterie lorsque vous déplacez le produit.
- Posez du ruban adhésif sur les connecteurs de batterie et assurez-vous que la batterie ne puisse pas bouger pendant le transport.
- Sécurisez le produit pendant le transport.

Remisage

- Avant de remiser le produit, laissez-le refroidir.
- Retirez toujours la batterie lorsque vous entreposez le produit.
- Pour éviter tout accident, assurez-vous que la batterie n'est pas reliée au produit au moment du remisage.

- Conservez le chargeur de batterie dans un endroit sec et fermé.
- Conservez la batterie et le chargeur de batterie dans un endroit sec, à l'abri de l'humidité et du gel.
- Débranchez la batterie du chargeur lors du remisage.
- Ne conservez pas la batterie dans un endroit présentant un risque d'électricité statique. Ne conservez pas la batterie dans une boîte métallique.
- Conservez le produit à une température ambiante comprise entre -10 °C et 40 °C.
- Entreposez la batterie dans un endroit où la température ambiante est comprise entre 5 °C et 25 °C, à l'abri du soleil.
- Entreposez le chargeur de batterie dans un endroit où la température ambiante est comprise entre 5 °C et 45°C, à l'abri du soleil.
- Assurez-vous que la batterie est chargée entre 30 % et 50 % avant de la remiser pendant de longues périodes.
- Conservez le produit, la batterie et le chargeur de batterie dans un endroit verrouillé, hors de portée des enfants et des personnes non autorisées.
- Nettoyez le produit et assurez-vous que le collecteur d'herbe est vide.
- Effectuez les tâches d'entretien décrites dans le présent manuel d'utilisation. Reportez-vous à la section Calendrier d'entretien à la page 162.
- Effectuez un entretien complet avant de remiser le produit pendant de longues périodes.

Mise au rebut

Les symboles figurant sur le produit ou l'emballage indiquent que ce produit ne peut pas être traité comme un déchet domestique ordinaire. Il doit être déposé dans un site de recyclage prévu pour la récupération d'équipements électriques et électroniques.

En prenant soin correctement de ce produit, vous contribuez à compenser l'éventuel effet négatif sur l'environnement et les personnes, qui autrement pourrait être engendré par la mauvaise gestion de la mise au rebut du produit. Pour obtenir de plus amples informations sur le recyclage de ce produit, contactez votre municipalité, votre service des ordures ménagères ou le magasin où vous avez acheté ce produit.

(Fig. 42)

Caractéristiques techniques

	LB 144i
Moteur de coupe	
Type de moteur	BLDC (sans balais) 36 V
Vitesse du moteur - SavE, tr/min	2 600/min
Vitesse du moteur - nominale, tr/min	3 200/min
Vitesse du moteur - charge élevée, tr/min	3 500/min
Sortie du moteur - max. kW	0,9
Sortie moteur - nominale, kW	0,75
Moteur d'entraînement	
Sortie moteur - nominale, kW	N/A
Vitesse de marche, km/h	N/A
Niveaux de réglage de la vitesse	N/A
Poids	
Poids (sans batterie), kg	15,5
Poids (avec 1 x BLi30), kg	17,5
Batterie	
Type de batterie	Gamme de machines à batterie Husqvarna
Durée de fonctionnement de la batterie	
Durée de fonctionnement de la batterie, min., (fonctionnement libre) avec fonction SavE activée et une batterie Husqvarna de 7,5 Ah (BLi30).	170
Durée de fonctionnement de la batterie, min., (fonctionnement libre) avec mode standard activé et une batterie Husqvarna de 7,5 Ah (BLi30).	135
Émissions sonores ²⁸	
Niveau de puissance acoustique mesuré, dB (A)	90
Niveau de puissance acoustique garanti L_{WA} , dB (A)	92
Niveaux sonores ²⁹	
Niveau de pression sonore à l'oreille de l'utilisateur, dB(A)	77

²⁸ Émissions sonores dans l'environnement mesurées comme puissance acoustique (L_{WA}) selon la directive européenne CE 2000/14/CE.

²⁹ Les données reportées pour le niveau de pression sonore présentent un facteur d'incertitude (K) de 1,5 dB (A).

	LB 144i
Niveaux de vibrations ³⁰	
Poignée, m/s ²	0,7
Équipement de coupe	
Hauteur de coupe, mm	25-75
Largeur de coupe, cm	44
Lame standard	Broyeur 5298073-10
Lame accessoire	N/A

Batteries homologuées	Type	Capacité de la batterie, Ah	Tension, V	Poids, lb/kg
40-B140	Lithium-ion	4,0	36	2,6/1,2
BLi30	Lithium-ion	7,5	36	4,2/1,9

Chargeurs agréés pour les batteries spécifiées, BLi	Tension d'entrée, V	Fréquence, Hz	Puissance, W
40-C80	100-240	50-60	68,8
QC250	220-240	50	250

³⁰ Les données reportées pour le niveau de vibration présentent un facteur d'incertitude (K) de 1,5 m/s². La valeur totale déclarée des vibrations résulte d'une mesure conforme à la norme EN 62841-4-3, Annexe I, et peut être utilisée pour comparer une machine à une autre et dans le cadre d'une évaluation préliminaire de l'exposition.

Déclaration de conformité

Déclaration de conformité UE

Nous, **Husqvarna AB**, SE-561 82 Huskvarna, Suède,
tél : +46-36-146500, déclarons sous notre entière
responsabilité que le produit :

Description	Tondeuse
Marque	Husqvarna
Type/Modèle	LB 144i
Identification	Les numéros de série à partir de 2022 et ultérieurs

est entièrement conforme à la réglementation et aux
directives de l'UE suivantes :

Réglementation	Description
2006/42/EC	« relative aux machines »
2014/30/UE	« relative à la compatibilité électromagnétique »
2000/14/EC	« relative aux émissions sonores dans l'environnement »
2011/65/UE	« relative à la limitation de l'utilisation de certaines substances dangereuses au sein d'équipements électriques et électroniques »

et que les normes et/ou les spécifications techniques
suivantes sont appliquées : EN 62841-1:2015/AC:2015,
EN IEC 62841-4-3:2021/A11:2021, EN ISO 12100:2010,
EN 55014-1:2021, EN 55014-2:2021, EN IEC
61000-6-2:2019, EN IEC 61000-6-3:2021, EN IEC
63000:2018

Organisme notifié : 0404, RISE SMP Svensk
Maskinprovning AB, Box 4053, SE-904 03 Umeå,
Sweden a certifié être conforme à la Directive du
Conseil 2000/14/CE, procédure d'évaluation de la
conformité : Annexe VI.

Pour toute information relative aux émissions sonores,
voir Caractéristiques techniques à la page 167.

Huskvarna, 2022-12-05



Claes Losdal, Directeur du développement/Articles de
jardinage Husqvarna AB

Responsable de la documentation technique



Sadržaj

Uvod	170	Rješavanje problema	180
Sigurnost.....	171	Prijevoz, spremanje i zbrinjavanje	181
Sastavljanje.....	176	Tehnički podaci	182
Rad.....	176	Izjava o sukladnosti	184
Održavanje	178		

Uvod

Opis proizvoda

Proizvod je ručna rotacijska kosilica za travu koja upotrebljava funkciju BioClip za rezanje trave u gnojivo.

Pregled proizvoda

(Sl. 1)

1. Ručka/upravljač
2. Ručka kočnice motora
3. Blokada pokretanja
4. Ručka za podizanje
5. Režno kućište
6. Poluga za visinu rezanja
7. Sigurnosni ključ
8. Poklopac baterije
9. Poluga za podešavanje visine za upravljač
10. Gumb SavE
11. Indikator upozorenja (LED svjetlo pogreške)
12. Korisnički priručnik
13. Punjač baterije (dodatna oprema)
14. Baterija (dodatna oprema)

Simboli na proizvodu

(Sl. 2) UPOZORENJE

(Sl. 3) Pročitajte upute.

(Sl. 4) UPOZORENJE – pazite na izbačene predmete.

(Sl. 5) Promatračima onemogućite pristup.

(Sl. 6) UPOZORENJE – šake i stopala držite podalje od noževa.

(Sl. 7) UPOZORENJE – odspojite bateriju prije održavanja.

(Sl. 8) Ni proizvod ni njegova ambalaža ne spadaju u kućanski otpad. Reciklirajte

Namjena

Proizvod upotrebljavajte za rezanje trave. Proizvod nemojte upotrebljavati za druge zadatke.

ga u reciklažnoj stanici za električnu i elektroničku opremu.

(Sl. 9) Najlepnica emisije buke u okoliš u skladu s direktivama i propisima EU i UK te propisom Novog Južnog Walesa „Zaštita od radova u okolišu (kontrola buke) iz 2017“. Zajamčena razina jačine zvuka proizvoda naznačena je u Tehnički podaci na stranici 182 i na naljepnici.

(Sl. 10) Ovaj priključak ispunjava primjenjive direktive EZ-a.

(Sl. 11) Ovaj je proizvod u skladu s važećim direktivama UK-a.

(Sl. 12) Ovaj je proizvod zaštićen od curenja.

(Sl. 13) Za zaustavljanje otpustite ručku kočnice motora.

(Sl. 14) Kôd koji se može skenirati.

Napomena: Drugi simboli/naljepnice na proizvodu odnose se na zahtjeve za certifikaciju na pojedinim tržištima.

Pouzdanost proizvoda

Sukladno zakonima o pouzdanosti proizvoda nismo odgovorni za oštećenja uzrokovana našim proizvodima ako je:

- proizvod nepravilno popravljen
- proizvod popravljen dijelovima koje nije proizveo proizvođač ili nemaju odobrenje proizvođača
- proizvod ima dodatnu opremu koje nije proizveo proizvođač ili nemaju odobrenje proizvođača

- proizvod nije popravljen u odobrenom servisnom centru ili kod ovlaštene osobe.

Sigurnost

Sigurnosne definicije

Upozorenjima, oprezima i napomenama naglašavaju se posebno važni dijelovi priručnika.



UPOZORENJE: Koristi se kada nepoštivanje uputa iz priručnika može uzrokovati smrt ili ozljede rukovatelja ili promatrača.



OPREZ: Koristi se kada nepoštivanje uputa iz priručnika može uzrokovati oštećenje proizvoda ili drugih materijala u neposrednoj blizini.

Napomena: Koristi se prikaz neophodnih dodatnih informacija za zadanu situaciju.

Opća sigurnosna upozorenja za proizvod



UPOZORENJE: Pročitajte sva sigurnosna upozorenja, upute, ilustracije i specifikacije isporučene s ovim proizvodom. Nepoštivanje svih uputa u nastavku može uzrokovati električni udar, požar i/ili ozbiljne ozljede.

Spremite sva upozorenja i upute za buduće potrebe. Pojam „proizvod“ u upozorenjima odnosi se na proizvod napajana iz mreže (žični) ili baterijski proizvod (bežični).

Sigurnost na radnom mjestu

- Radno mjesto mora biti čisto i dobro osvijetljeno. Zakrčeni i tamni prostori čest su uzrok nesreća.
- Proizvod nemojte koristiti u eksplozivnim okruženjima, primjerice u prisutnosti zapaljivih tekućina, plinova ili prašine. Proizvod proizvodi iskre koje mogu zapaliti prašinu ili isparavanja.
- Tijekom rada s proizvodom u blizini se ne smiju zadržavati djeca ni promatrači. Svako ometanje može uzrokovati gubitak nadzora nad strojem.

Električna sigurnost

- Utikači proizvodi moraju odgovarati utičnicama. Nemojte ni na koji način mijenjati utikač. Proizvode sa uzemljenjem nemojte upotrebljavati s utikačima za prilagodbu. Neizmijenjeni utikači i odgovarajuće utičnice smanjuju opasnost od strujnog udara.
- Izbjegavajte tjelesni kontakt s uzemljenim površinama kao što su cijevi, radijatori, štednjaci i

hladnjaci. Ako vam je tijelo uzemljeno, povećava se opasnost od strujnog udara.

- Proizvode nemojte izlagati kiši ili mokrim uvjetima. Voda koja prodire u proizvod povećava opasnost od strujnog udara.
- Pazite na kabel. Kabel nemojte upotrebljavati za prenošenje, povlačenje ili isključivanje proizvoda. Držite ga podalje od vrućine, ulja, oštih rubova ili pokretnih dijelova. Oštećeni ili isprepleteni kabeli povećavaju opasnost od strujnog udara.
- Kada proizvod upotrebljavate na otvorenom, morate upotrebljavati odgovarajući produžni kabel. Kabel predviđen za upotrebu na otvorenom smanjuje opasnost od strujnog udara.
- Ako proizvod morate upotrebljavati na vlažnom mjestu, upotrijebite uređaj zaštitnim uređajem diferencijalne struje (RCD). Korištenje RCD uređaja smanjuje rizik od strujnog udara.

Osobna sigurnost

- Budite usredotočeni, pazite što radite i razumno upotrebljavajte proizvod. Proizvod nemojte upotrebljavati umorni ili pod djelovanjem droga, alkohola ili lijekova. Trenutak nepažnje pri upotrebi proizvoda može uzrokovati ozbiljne tjelesne ozljede.
- Upotrebljavajte opremu za osobnu zaštitu. Uvijek nosite zaštitu za oči. Upotreba zaštitne opreme poput maske za prašinu, protukliznih zaštitnih cipela, kacige i štitnika za uši u odgovarajućim uvjetima smanjuje opasnost od tjelesnih ozljeda.
- Spriječite nehотиčno pokretanje stroja. Prije priključivanja proizvoda na napajanje i/ili baterijski komplet te podizanja ili prenošenja sklopka mora biti u isključenom položaju. Držanje prsta na sklopki prilikom prenošenja proizvoda ili priključivanje napajanja proizvoda na kojima je sklopka uključena povećava opasnost od nezgode.
- Prije uključivanja proizvoda izvadite klin za prilagođavanje ili uklonite ključ. Ako ključ ili klin ostanu na pokretnom dijelu proizvoda, može doći do ozljeda.
- Ne posežite predaleko. Uvijek imajte dobar oslonac i održavajte ravnotežu. To omogućuje bolju kontrolu proizvoda u neočekivanim situacijama.
- Nosite prikladnu odjeću. Nemojte nositi široku odjeću ni nakit. Kosu i odjeću držite podalje od pomičnih dijelova. Široka odjeća, nakit ili duga kosa mogu zapeti u pokretnim dijelovima stroja.
- Ako su priloženi uređaji za povezivanje mehanizama za izdvajanje i prikupljanje prašine, pripazite na njihovo pravilno priključivanje i upotrebu. Upotreba mehanizma za prikupljanje prašine može smanjiti opasnosti uzrokovane prašinom.

- Zbog rutine nastale čestom primjenom proizvoda nemojte postati samodopadni te zanemarivati sigurnosna pravila. Neoprezan rad u djeliću sekunde može uzrokovati ozbiljnu ozljedu.

Korištenje i održavanje

- Nemojte preopterećivati proizvod. Upotrebljavajte proizvod koja odgovara namjeni. Odgovarajućim proizvodom posao ćete obaviti bolje i sigurnije, brzinom za koju je dizajniran.
- Nemojte upotrebljavati proizvod ako sklopka nije moguće uključiti i isključiti. Proizvod kojim ne možete upravljati sa sklopkom opasan je i mora se popraviti.
- Prije bilo kakvih izmjena, zamjene dodatne opreme ili spremanja proizvoda odspojite utikač od izvora napajanja i/ili izvadite baterijski paket iz proizvoda, ako je to moguće. Te preventivne sigurnosne mjere smanjuju opasnost od nehotičnog pokretanja proizvoda.
- Proizvode koji nisu u uporabi uskladištite izvan dohvata djece, a osobama koje nisu upoznate s proizvodom i nisu pročitale ove upute nemojte dopustiti upotrebu proizvoda. Proizvodi mogu biti opasni kada njima rukuju neiskusni korisnici.
- Održavajte proizvode i dodatnu opremu. Provjerite usklađenost pokretnih dijelova, povezanost pokretnih dijelova, cjelovitost dijelova te sva druga stanja koja mogu utjecati na rad proizvoda. Ako postoje oštećenja, prije upotrebe popravite proizvod. Brojne nezgode uzrokovane su lošim održavanjem proizvoda.
- Alati za rezanje moraju biti oštri i čisti. Ispravno održavani alati za rezanje s oštrim reznim oštricama neće se zablokirati te ih je lakše kontrolirati.
- Proizvod, dodatnu opremu, svrdla itd. upotrebljavajte u skladu s ovim uputama, uzimajući u obzir uvjete rada i posao koji je potrebno obaviti. Upotreba proizvoda za radove za koje nije namijenjen može uzrokovati opasne situacije.
- Ručke i prihvatne površine moraju biti suhe, čiste i bez tragova ulja i masti. Klizave ručke i prihvatne površine u neočekivanim situacijama onemogućuju sigurno rukovanje i kontrolu nad proizvodom.

Upotreba i čišćenje alata za bateriju

- Bateriju punite samo punjačem koji je odredio proizvođač. Punjač prikladan za jedan tip baterije može izazvati rizik od požara ako se koristi s drugom baterijom.
- Proizvode upotrebljavajte samo uz posebno namijenjene baterijske komplete. Upotreba bilo koje druge baterije može izazvati rizik od ozljede i požara.
- Kad bateriju ne koristite, držite je daleko od ostalih metalnih predmeta kao što su spojnice za papir, novčići, ključevi, čavli, vijci ili drugi mali metalni predmeti koji bi mogli dovesti do spoja između priključaka. Kratki spoj između priključaka baterije može prouzročiti opekline ili požar.
- U uvjetima lošeg postupanja, iz baterije može štrcnuti tekućina, izbjegavajte dodir s njom. Ako

slučajno dođe do dodira, isperite vodom. Ako tekućina dođe u dodir s očima, potražite i liječničku pomoć. Tekućina koja štrcne iz baterije može izazvati iritacije ili opekline.

- Nemojte upotrebljavati baterijski komplet ili alat koji je oštećen ili modificiran. Oštećene ili modificirane baterije mogu se nepredvidivo ponašati i time dovesti do požara, eksplozije ili opasnosti od ozljede.
- Baterijski komplet ni alat nemojte izlagati vatri ni ekstremnim temperaturama. Izlaganje vatri ili temperaturama većima od 130 °C / 265 °F može dovesti do eksplozija.
- Pridržavajte se svih uputa za punjenje i baterijski komplet ni alat nemojte puniti izvan temperaturnog raspona navedenog u uputama. Neispravno punjenje ili držanje na temperaturama izvan navedenog raspona može oštetiti bateriju i povećati mogućnost požara.

Usluga

- Proizvod mora servisirati obučeni serviser isključivo s jednakim zamjenskim dijelovima. Time se osigurava zadržavanje sigurnosti proizvoda.
- Oštećene baterijske pakete nikada nemojte servisirati. Servisiranje baterijskih paketa dopušteno je samo proizvođaču ili ovlaštenim servisnim distributerima.

Sigurnosna upozorenja za kosilicu

- Izbjegavajte upotrebu kosilice u lošim vremenskim uvjetima, pogotovo ako postoji opasnost od grmljavinskog nevremena. Time smanjujete opasnost od udara munje.
- Temeljito provjerite ima li u području upotrebe kosilice divljih životinja. Kosilica u pogonu može ozlijediti divlje životinje.
- Temeljito pregledajte područje upotrebe kosilice te uklonite sve kamenje, grane, žice, kosti i druge strane predmete. Izbačeni predmeti mogu uzrokovati tjelesne ozljede.
- Prije upotrebe kosilice obavezno vizualno provjerite jesu li nož i sklop noža neoštećeni. Oštećeni ili istrošeni dijelovi povećavaju opasnost od ozljede.
- Često provjeravajte je li sakupljač trave istrošen ili pohaban. Oštećeni ili istrošeni sakupljač trave povećava opasnost od tjelesne ozljede.
- Štitnici moraju biti postavljeni. Štitnici moraju biti ispravni i pravilno postavljeni. Nepričvršćen, oštećen ili neispravan štitnik može uzrokovati tjelesnu ozljedu.
- Sve ulaze rashladnog zraka čistite od ostataka. Neprohodni ulazi zraka i ostaci mogu uzrokovati pregrijavanje ili opasnost od požara.
- Tijekom rada s kosilicom obavezno nosite protukliznu i zaštitnu obuću. Kosilicu nemojte upotrebljavati bosonogi ni u otvorenim sandalama. Tako smanjujete mogućnost ozljede stopala pri kontaktu s nožem u pokretu.

- Tijekom upotrebe kosilice obavezno nosite duge hlače. Vjerojatnost ozljeđivanja izbačenim predmetima povećava se kada je koža izložena.
- Kosilicu nemojte pogoniti u mokroj travi. Hodajte, nemojte trčati. Tako smanjujete opasnost od klizanja i pada, pri čemu može doći do osobne ozljede.
- Kosilicu nemojte upotrebljavati na izrazito strmim kosinama. Tako smanjujete opasnost od gubitka kontrole, klizanja i pada, pri čemu može doći do osobne ozljede.
- Kada radite na kosinama, uvijek provjerite uporište, uvijek radite poprečno duž kosine, nikada uz ili niz, i budite iznimno pažljivi pri promjeni smjera. Tako smanjujete opasnost od gubitka kontrole, klizanja i pada, pri čemu može doći do osobne ozljede.
- Budite iznimno oprezni prilikom hoda unatrag ili povlačenja kosilice prema sebi. Uvijek budite svjesni svoje okoline. Tako smanjujete opasnost od pada tijekom rada.
- Nemojte dodirivati noževe i druge opasne pokretne dijelove dok su još u pokretu. Time smanjujete opasnost od ozljeđivanja na pokretnim dijelovima.
- Pri uklanjanju zaglavljenog materijala ili pranju kosilice provjerite jesu li sve električne sklopke isključene, a električni kabel odspojen. Neočekivano pokretanje kosilice može uzrokovati ozbiljne tjelesne ozljede.

Zaštitni uređaj diferencijalne struje

- Upotrijebite zaštitni uređaj diferencijalne struje sa strujom okidanja od najviše 30 mA.

Opće sigurnosne upute



UPOZORENJE: Prije upotrebe proizvoda pročitajte upozoravajuće upute u nastavku.

- Proizvod je opasan ako ga koristite nepravilno ili ako niste oprezni. Nepoštovanje sigurnosnih uputa može uzrokovati ozljede ili smrt.
- Proizvod tijekom rada proizvodi elektromagnetsko polje. To polje u određenim okolnostima može ometati aktivne ili pasivne medicinske implantate. Za smanjenje opasnosti od smrtonosne ozljede osobama s medicinskim implantatima prije korištenja uređaja preporučujemo obraćanje liječniku i proizvođaču medicinskog implantata.
- Uvijek budite pažljivi i razumni. Ako u posebnim situacijama niste sigurni u način upotrebe stroja, prije nastavka stanite i obratite se svom distributeru tvrtke Husqvarna.
- Imajte na umu kako se rukovatelj smatra odgovornim za nezgode koje uključuju druge osobe ili njihovo vlasništvo.
- Proizvod održavajte čistim. Znakovi i naljepnice moraju biti jasno čitljivi.
- Djeci ili osobama koje nisu upoznate s ovim uputama ne dopuštajte da upotrebljavaju uređaj.

Dob korisnika može biti ograničena lokalnim propisima.

- Osobu smanjenih fizičkih ili mentalnih sposobnosti obavezno nadzirite tijekom uporabe proizvoda. Cijelo vrijeme mora biti prisutna odgovorna odrasla osoba.
- Proizvod nemojte upotrebljavati kada ste umorni, bolesni ili pod utjecajem alkohola, droge ili lijekova. To negativno utječe na vaš vid, pažnju, koordinaciju i prosudbu.
- Nemojte upotrebljavati neispravi proizvod.
- Nemojte izmjenjivati proizvod ili ga upotrebljavati ako postoji mogućnost da je izmijenjen.

Sigurnost pri radu



UPOZORENJE: Prije upotrebe proizvoda pročitajte upozoravajuće upute u nastavku.

- Proizvod upotrebljavajte samo za košenje travnjaka. Upotreba za druge zadatke nije dopuštena.
- Upotrebljavajte opremu za osobnu zaštitu. Pogledajte Oprema za osobnu zaštitu na stranici 174.
- Provjerite znate li brzo zaustaviti motor u slučaju nužde.
- Proizvod nemojte pogoniti na kiši ni u mokrim uvjetima. Ako voda prodre u proizvod, povećava se opasnost od električnog udara.
- Proizvod upotrebljavajte samo ako su nož i svi štitnici pravilno postavljeni. Nepravilno postavljen nož može se otpustiti i uzrokovati osobne ozljede.
- Pazite da nožem ne udarate u predmete poput kamenja ili korijenja. Time možete oštetiti nož i saviti vratilo motora. Savijena osovina uzrokuje snažne vibracije i vrlo visoku opasnost od otpuštanja noža.
- Ako nožem udarite u predmet ili osjetite vibracije, odmah zaustavite proizvod. Zaustavite motor, okrenite sigurnosni ključ na 0 i uklonite bateriju. Pričekajte na zaustavljanje pokretnih dijelova. Pregledajte je li proizvod oštećen. Zategnite nepričvršćene dijelove. Popravite oštećenja i zamijenite oštećene dijelove. Popravke prepustite odobrenom servisnom agentu.
- Ručicu kočnice motora nikada trajno nemojte pričvrstiti za ručku kada je motor u pogonu.
- Proizvod postavite na stabilnu, ravnu površinu i pokrenite ga. Noževi ne smiju udarati u tlo ili druge predmete.
- Tijekom rukovanja proizvodom obavezno budite iza njega.
- Tijekom rukovanja proizvodom svi kotači trebaju biti na tlu, a obje ruke na ručki. Šake i stopala držite podalje od rotirajućih noževa.
- Nemojte naginjati proizvod tijekom pokretanja motora ili njegovog pogona.
- Budite pažljivi pri povlačenju proizvoda unatrag.

- Proizvod nikada nemojte podizati kada je motor pokrenut. Ako morate podići proizvod, prvo zaustavite motor, okrenite sigurnosni ključ na 0 i uklonite bateriju.
- Tijekom rada s proizvodom nemojte hodati unatrag.
- Zaustavite motor kada je proizvod nužno nagnuti radi transporta ili prelaska preko površina bez trave, primjerice šljunčanih, kamenih ili asfaltnih putova.
- Nemojte trčati s proizvodom kada je motor pokrenut. Obavezno hodajte tijekom rada s proizvodom.
- Prije promjene visine rezanja zaustavite motor. Nemojte provoditi prilagodbe s pokrenutim motorom.
- Proizvod s pokrenutim motorom ne ispuštajte iz vida. Zaustavite motor i provjerite je li rezna oprema zaustavljena.
- Vibracije na proizvodu u pogonu mogu se razlikovati od vrijednosti vibracija navedenih pod Tehnički podaci na stranici 182. Razlikuju uzrokuju varijacije u načinu upotrebe proizvoda. Ako proizvod često pogonite dugo, redovito odmarajte kako biste spriječili ozljede uzrokovane vibriranjem.

Sigurnosne upute za rad

Oprema za osobnu zaštitu



UPOZORENJE: Prije upotrebe proizvoda pročitajte upozoravajuće upute u nastavku.

- Oprema za osobnu zaštitu ne može u potpunosti spriječiti ozljede, no smanjuje stupanj ozljede u slučaju nezgode. Pri odabiru odgovarajuće opreme zatražite pomoć ovlaštenog trgovca.
- Nosite čizme otporne na klizanje ili cipele za teške uvjete rada. Nemojte nositi otvorene cipele ili biti bos.
- Nosite teške, duge hlače.
- Prema potrebi nosite zaštitne rukavice, primjerice prilikom pričvršćivanja, pregleda ili čišćenja rezne opreme.
- Preporučujemo upotrebu zaštite sluha.

Sigurnosni uređaji za proizvod



UPOZORENJE: Prije upotrebe proizvoda pročitajte upozoravajuće upute u nastavku.

- Nemojte koristiti proizvod s oštećenim zaštitnim uređajima.
- Sigurnosne uređaje nije dopušteno uklanjati ili izmjenjivati.
- Redovito pregledavajte sigurnosne uređaje. Ako su sigurnosni uređaji neispravni, obratite se Husqvarna ovlaštenom trgovcu.

Provjera reznog poklopca

Rezni poklopac smanjuje vibriranje proizvoda te opasnost od ozljede nožem.

- Provjerite ima li na pokrovu noža oštećenja, primjerice napuklina.

Provjera sigurnosnog ključa

Sigurnosni ključ nalazi se ispod poklopca baterije. Sigurnosni ključ priključuje bateriju koja napaja motor.

- Pokrenite i zaustavite motor kako biste provjerili sigurnosni ključ.
- Ako sigurnosni ključ ispravno funkcionira, motor se pokreće samo kad je sigurnosni ključ u položaju 1. (Sl. 15)

Provjera ručice kočnice motora

Ručicom kočnice motora zaustavljate motor. Motor se zaustavlja po otpuštanju ručice kočnice motora.

- Pokrenite proizvod. Pogledajte Pokretanje proizvoda na stranici 177.
- Otpustite ručicu kočnice motora. (Sl. 16)
- Provjerite je li se proizvod zaustavio. Ako se motor ne zaustavi za 3 sekunde, podesite kočnicu motora kod servisera tvrtke Husqvarna.

Provjera blokade paljenja

Ispitajte blokadu pokretanja kako biste se uvjerali da sprječava pogon motora.

1. Ručicu kočnice motora gurnite prema upravljaču. Blokada pokretanja zaustavlja pomak.
2. Istisnite blokadu pokretanja. (Sl. 17)
3. Otpustite blokadu pokretanja i provjerite vraća li se u početni položaj.

Sigurnost baterije



UPOZORENJE: Prije upotrebe proizvoda pročitajte upozoravajuće upute u nastavku.

- Upotrebjavajte punjive baterije tvrtke Husqvarna samo za napajanje odgovarajućih proizvoda tvrtke Husqvarna. Bateriju nemojte upotrebljavati za napajanje drugih proizvoda jer postoji opasnost od ozljeda.
- Nemojte upotrebljavati baterije koje nisu punjive.
- Opasnost od strujnog udara. Polove baterije nemojte spajati s ključevima, kovanicama, vijcima ili drugim metalom. Tako može doći do kratkog spoja baterije.
- Nemojte umetati predmete u zračne utore baterije.
- Bateriju zaštitite od sunčeve svjetlosti, vrućine i otvorenog plamena. Baterija može eksplodirati i uzrokovati opekline i/ili kemijske opekline.
- Zaštitite bateriju od kiše i mokrih uvjeta.
- Zaštitite bateriju od mikrovalova i visokog tlaka.

- Bateriju nemojte rastavljati ili razbijati.
- Ako baterija počne propuštati, nemojte dopustiti da vam tekućina dospije na kožu ili u oči. Ako ste dodirnuli tekućinu, očistite to mjesto velikom količinom vode i zatražite medicinsku pomoć.
- Bateriju u proizvodnju primjenjujte samo pri temperaturama okoline između 5 °C – 40 °C.
- Punjače baterije upotrebljavajte samo pri temperaturama okoline između 5 °C – 40 °C.
- Baterija se neće puniti ako je njezina temperatura viša od 50 °C.
- Bateriju ili punjač baterije nikada nemojte čistiti vodom. Pogledajte Čišćenje baterije i punjača baterije na stranici 179.
- Nemojte upotrebljavati neispravnu ili oštećenu bateriju.
- Baterije skladištite dalje od metalnih predmeta poput čavala, kovanica i nakita.

Sigurnost punjača baterije



UPOZORENJE: Prije upotrebe proizvoda pročitajte upozoravajuće upute u nastavku.

- Punjače baterija QC upotrebljavajte samo za punjenje zamjenskih baterija tvrtke Husqvarna.
- Opasnost od strujnog udara ili kratkog spoja. Nemojte umetati predmete u zračne utore punjača. Nemojte rastavljati punjač baterije. Priključke baterije nemojte spajati metalnim predmetima. Upotrebljavajte odobrenu mrežnu utičnicu.
- Proizvod tijekom rada proizvodi elektromagnetsko polje. To polje u određenim okolnostima može ometati aktivne ili pasivne medicinske implantate. Za smanjenje opasnosti od uvjeta koji mogu uzrokovati ozljede ili smrt, osobama s medicinskim implantatima prije korištenja ovog uređaja preporučujemo obraćanje liječniku i proizvođaču medicinskog implantata.
- Redovno provjeravajte je li kabel za napajanje punjača baterije neoštećen te je li ispucao.
- Punjač baterije nemojte podizati za električni kabel. Za odspajanje punjača baterije od zidne utičnice izvucite utikač. Nemojte povlačiti kabel za napajanje.
- Kabel za napajanje i produžne kabele držite podalje od vode, ulja i oštih rubova. Kabel nemojte prignječiti vratima, ogradama i sl. To može narinuti napon na punjač.
- Punjač baterije nemojte čistiti vodom.
- Punjač baterije mogu koristiti djeca od 8 godina i starija te osobe s umanjanim fizičkim, osjetilnim ili mentalnim sposobnostima ili nedostatkom iskustva i znanja ako je osiguran njihov nadzor ili ako su upućeni u sigurno korištenje uređaja te razumiju

obuhvaćene opasnosti. Djeca se ne smiju igrati punjačem baterije. Čišćenje i održavanje ne smiju provoditi djeca bez nadzora.

- Punjačem baterije nije dopušteno puniti nepunjive baterije.
- Punjač baterije nemojte upotrebljavati u blizini zapaljivih materijala ili materijala koji mogu uzrokovati koroziju. Nemojte pokrivati punjač baterije. Ako dođe do razvoja dima ili požara, odspojite utikač punjača baterije.
- Nemojte upotrebljavati neispravan ili oštećen punjač baterije.
- Bateriju puniti isključivo u dobro prozračenom zatvorenom prostoru bez izravne sunčeve svjetlosti. Bateriju nije dopušteno puniti u vlažnim uvjetima.

Sigurnosne upute za održavanje



UPOZORENJE: Prije upotrebe proizvoda pročitajte upozoravajuće upute u nastavku.

- kako biste spriječili nenamjerno pokretanje tijekom održavanja, okrenite sigurnosni ključ na 0 i uklonite bateriju. Pričekajte najmanje 5 sekundi prije početka održavanja.
- Provodite samo održavanje opisano u ovom korisničkom priručniku. Opsežnije radove i profesionalne popravke obavezno provodi ovlašteni servisni agent. Za više informacija obratite se najbližem serviseru.
- Pravilno provedite radove održavanja kako biste produljili vijek trajanja proizvoda i smanjili opasnost od nezgoda.
- Zamijenite oštećene, istrošene ili polomljene dijelove. Obavezno upotrebljavajte originalne rezervne dijelove odgovarajućeg proizvođača. Drugi rezervni dijelovi mogu oštetiti proizvod i povećavati opasnost od nezgoda.
- Kako biste spriječili ozljede, nemojte uklanjati ili izmjenjivati sigurnosne uređaje.
- Tijekom rada s reznom opremom nosite rukavice na teške uvjete rada. Nož je vrlo oštar i lako dolazi do posjekotina.
- Rezne rubove održavajte naoštrenima i čistima kako biste osigurali najsigurnije radne značajke.
- Redovno pregledavajte proizvod i provodite potrebne prilagodbe i popravke kod servisera.
- Pridržavajte se uputa za zamjenu dodatne opreme. Upotrebljavajte isključivo dodatnu opremu proizvođača.
- Kada ih ne upotrebljavate, proizvod, bateriju i punjač baterije skladištite odvojeno u zatvorenom, suhom i zaključanom prostoru. Djeci i neovlaštenim osobama onemogućite pristup proizvodu, bateriji i punjaču.

Sastavljanje

Uvod



UPOZORENJE: Prije sastavljanja proizvoda pročitajte poglavlje o sigurnosti.



UPOZORENJE: Kako biste spriječili nenamjerno pokretanje pri sastavljanju okrenite sigurnosni ključ na 0, uklonite bateriju i pričekajte najmanje 5 sekundi.

Sastavljanje ručke

1. Preklopite gornju ručku prema naprijed.

2. Zategnite kotačiće ručke. (Sl. 18)
3. Povucite ručku unatrag dok ne bude u krajnjem položaju.
4. Preklopite polugu za podešavanje visine i stavite je u tor. (Sl. 19)
5. Nogom pritisnite polugu za podešavanje visine prema dolje. (Sl. 20)

Prilagođavanje visine ručke

1. Nogom pritisnite polugu za podešavanje visine.
2. Upravljač postavite u ispravan položaj i otpustite ga. (Sl. 21)

Rad

Uvod



UPOZORENJE: Prije rada s proizvodom morate pročitati i usvojiti poglavlje o sigurnosti.



UPOZORENJE: Proizvod nemojte upotrebljavati ako ručka nije potpuno podignuta i postavljena u jedan od primjenjivih položaja visine. Pogledajte Prilagođavanje visine ručke na stranici 176.

Husqvarna Connect

Husqvarna Connect besplatna je aplikacija za mobilni uređaj. Aplikacija Husqvarna Connect pruža vam dodatne funkcije za proizvod Husqvarna.

- Opširnije informacije o proizvodu.
- Dodatne informacije i pomoć za dijelove i servisiranje proizvoda.

Početak rada sa Husqvarna Connect

1. Preuzmite aplikaciju Husqvarna Connect na svoj mobilni uređaj.
2. Prijavite se na aplikaciju Husqvarna Connect.
3. Pratite upute u aplikaciji Husqvarna Connect kako biste se spojili i registrirali proizvod.

Postavljanje proizvoda u položaj za rad

1. Postavite ručku. Pogledajte Sastavljanje ručke na stranici 176.
2. Prilagodite visinu ručke. Pogledajte Prilagođavanje visine ručke na stranici 176.



OPREZ: Kabeli ne smiju biti previše zategnuti. Prevelika zategnutost može izazvati oštećenja kabela ako se ručka preklopi u položaj za transport.

Postavljanje visine rezanja

Visinu rezanja moguće je namjestiti na 6 različitih koraka.

1. Zaustavite motor.
2. Polugu za visinu rezanja pomaknite unatrag kako biste povećali visinu rezanja. (Sl. 22)
3. Polugu za visinu rezanja pomaknite naprijed kako biste smanjili visinu rezanja.



OPREZ: Visinu rezanja nemojte postaviti prenisko. Noževi mogu udariti u tlo ako površina travnjaka nije ravna.

Baterija



UPOZORENJE: Prije upotrebe baterije morate pročitati i usvojiti poglavlje o sigurnosti. Također morate pročitati i usvojiti korisnički priručnik za bateriju i punjač baterije.

Bateriju i punjač čuvajte na ispravnoj temperaturi okoline.

	Temperatura okoline
Rad baterije	5 °C – 40 °C
Punjenje baterije	5 °C – 40 °C

Status baterije

Na zaslonu se prikazuje preostali kapacitet baterije te postoje li problemi s baterijom. Kapacitet baterije prikazuje se na 5 s nakon isključenja proizvoda ili pritiskanja gumba indikatora baterije. Prilikom pojave pogreške uključuje se simbol upozorenja na bateriji. Pogledajte Baterija na stranici 180.

(Sl. 23)

LED indikatori	Status baterije
Svi LED indikatori svijetle	Potpuno napunjena (75 – 100%)
Svijetle indikatori LED 1, LED 2 i LED 3	Baterija je napunjena 50% – 75%
Svijetle indikatori LED 1 i LED 2	Baterija je napunjena 25% – 50%
Svijetli indikator LED 1	Baterija je napunjena 0% – 25%
Indikator LED 1 treperi	Baterija je prazna. Napunite bateriju.

Zamjena baterije

Prije prve upotrebe napunite bateriju. Baterija je pri isporuci kupcu napunjena samo 30%.

Napomena: Punjač baterije morate spojiti na napon i frekvenciju koji su navedeni na natpisnoj pločici.

Baterija se ne puni ako je temperatura baterije viša od 50 °C. Punjač baterije smanjuje temperaturu baterije prije početka punjenja.

1. Jedan kraj kabela za napajanje punjača baterije priključite na utičnicu na punjaču baterije.
2. Drugi kraj kabela za napajanje punjača baterije priključite na uzemljenu mrežnu utičnicu. LED indikator na punjaču baterije zatrepri jednom zelenom bojom. (Sl. 24)
3. Postavite bateriju u punjač baterije. Ako je baterija pravilno priključena na punjač baterije, na punjaču se uključuje zeleni indikator. (Sl. 25)
4. Kada na bateriji svijetle svi LED indikatori, baterija je potpuno napunjena. Bateriju puniti najdulje 24 sata.
5. Za odspajanje punjača baterije od mrežne utičnice povucite priključak, ne kabel.
6. Izvadite bateriju iz punjača baterije.

Status punjača baterija

Litij-ionske baterije Husqvarna možete puniti ili koristiti pri bilo kojoj razini napunjenosti. Baterija nije oštećena. Potpuno napunjena baterija neće se prazniti čak niti ako je ostavite u punjaču.

LED zaslon	Stanje punjenja
Indikator LED 1 treperi	0% – 25%
Svijetli indikator LED 1, indikator LED 2 treperi	25% – 50%
Svijetle indikatori LED 1, LED 2, indikator LED 3 treperi	50% – 75%
Svijetle indikatori LED 1, LED 2, LED 3, indikator LED 4 treperi	75% – 100%
Svijetle indikatori LED 1, LED 2, LED 3 i LED 4	Potpuno napunjena

Pokretanje proizvoda

1. Otvorite poklopac baterije.
2. Napunjenu bateriju stavite u držač za baterije.
3. Okrenite sigurnosni ključ na 1. (Sl. 26)
4. Stanite iza proizvoda.
5. Otpustite blokadu pokretanja. (Sl. 17)
6. Ručku kočnice motora gurnite prema upravljaču. (Sl. 27)

Upotreba funkcije SaveE™

Proizvod ima funkciju za uštedu baterije (SaveE™) koja omogućuje dulje vrijeme rada.

- Pritisnite gumb SaveE™ u položaj 1 da biste pokrenuli funkciju. (Sl. 28)
- Pritisnite gumb SaveE™ u položaj 0 da biste zaustavili funkciju.

Napomena: Funkcija SaveE™ automatski se zaustavlja ako uvjeti na tlu zahtijevaju veću snagu. Funkcija SaveE™ automatski se ponovno uključuje kada to dopuste uvjeti na tlu.

Funkcija za velika opterećenja

Kada proizvodom kosite vlažnu travu, motor automatski povećava broj o/min. Motor se vraća u standardni način rada kada više nije potrebna velika snaga.

Zaustavljanje motora

Tijekom rada može doći do privremenog zaustavljanja noža i motora uzrokovanog preprekama poput nakupina trave ispod reznog poklopca. Ako se to dogodi, ručicu kočnice motora zadržite pritisnuto i proizvod se automatski ponovno pokreće. Ako se proizvod ponovno ne pokrene za 5 – 10 sekundi, može biti nužno očistiti ispod reznog poklopca. Pogledajte Za čišćenje proizvoda na stranici 179.



UPOZORENJE: Ako se motor zaustavi, proizvod se kroz 5 – 10 sekundi pokušava automatski ponovno pokrenuti. Na provjeru reznog poklopca pričekajte najmanje 15 sekundi.



UPOZORENJE: Prije provjere reznog poklopca otpustite ručicu kočnice motora, sigurnosni ključ okrenite na 0, uklonite bateriju i pričekajte najmanje 5 sekundi. Ako dođe do otpuštanja prepreke i nehotičnog pokretanja proizvoda, može doći do ozljede.

Zaustavljanje proizvoda



UPOZORENJE: Prije ostavljanja proizvoda bez nadzora okrenite sigurnosni ključ na 0.

1. Otpustite ručicom kočnice motora kako biste zaustavili motor. (Sl. 29)

2. Otvorite poklopac baterije i okrenite sigurnosni ključ na 0. (Sl. 30)
3. Za uklanjanje baterije pritisnite 2 gumba za otpuštanje i izvadite bateriju. (Sl. 31)
4. Zamijenite slabu bateriju. Dodatne informacije potražite u odjeljku Zamjena baterije na stranici 177.

Za dobar ishod

- Uvijek upotrebljavajte oštar nož. Tup nož daje nepravilne rezultate, a rezana površina trave požuti. Oštar nož također troši manje energije od tupog.
- Nemojte rezati više od 1/3 od duljine trave. Prvo kosite s visoko postavljenom visinom za rezanje. Provjerite rezultat i spustite visinu rezanja na prihvatljivu razinu. Ako je trava vrlo dugačka, vozite polako i po potrebi kosite 2 puta.
- Svaki put kosite u drugom smjeru kako biste spriječili nastanak traka na travnjaku.
- Pokrov noža mora biti čist. Nakupine trave i prijavštine s unutarnje strane pokrova noža mogu umanjiti rezultate rezanja. Pogledajte Za čišćenje proizvoda na stranici 179.

Održavanje

Uvod



UPOZORENJE: Prije održavanja morate pročitati i usvojiti poglavlje o sigurnosti.

Za sve radove servisiranja i održavanja na proizvodu potrebna je posebna obuka. Jamčimo dostupnost profesionalnih popravaka i servisa. Ako vaš distributer nije serviser, od njega zatražite informacije o najbližem serviseru.

Detaljnije informacije potražite pod www.husqvarna.com.

Raspored održavanja

Intervali održavanja izračunati su za dnevnu upotrebu proizvoda. Intervali se mijenjaju ako se proizvod ne upotrebljava svakodnevno.

Za održavanja označena s * pogledajte upute u Sigurnost na stranici 171.

	Svaka upotreba	Mjesečno	Svake sezone
Provedite opći pregled.	X		
Očistite proizvod.	X		
Očistite područje oko poluge za podešavanje visine ručke.	X		
Provjerite blokadu paljenja. *	X		
Provjerite ispravnost sigurnosnih uređaja na proizvodu. *	X		
Pregledajte reznu opremu.	X		
Pregledajte pokrov noža. *	X		
Provjerite ručku kočnice motora. *	X		
Provjerite je li baterija oštećena.	X		
Provjerite napunjenost baterije.	X		

	Svaka upotreba	Mjesečno	Svake sezone
Provjerite ispravnost gumba za otpuštanje baterije i pričvršćivanje baterije u proizvodu.	X		
Provjerite je li punjač baterije oštećen i uvjerite se u njegovu ispravnost rada.		X	
Pregledajte spojeve između baterije i proizvoda. Također pregledajte spojeve između baterije i punjača baterije.			X

Za opći pregled

- Provjerite jesu li zategnuti matice i vijci na proizvodu.
- Kabeli na proizvodu ne smiju biti u položaju u kojem se mogu oštetiti.

Za čišćenje proizvoda

- Plastične dijelove čistite čistom i suhom krpom.
- Proizvod nemojte čistiti vodom. Voda može prodirjeti u bateriju ili motor i uzrokovati kratki spoj ili oštetiti proizvod.
- Za čišćenje proizvoda nemojte koristiti visokotlačni stroj za pranje.
- Nemojte liti vodu izravno na motor.
- Četkom uklonite lišće, travu i onečišćenja.

Čišćenje baterije i punjača baterije



UPOZORENJE: Bateriju ili punjač baterije nikada nemojte čistiti vodom.



UPOZORENJE: Bateriju nemojte čistiti nikakvim kemijskim sredstvima.

- Prije umetanja baterije u punjač baterije provjerite jesu li baterija i punjač baterije čisti i suhi.
- Očistite polove baterije komprimiranim zrakom ili upotrijebite mekanu i suhu krpom.
- Površine baterije i punjača baterije očistite mekanom i suhom krpom.

Čišćenje područja oko poluge za podešavanje visine ručke

- Četkom uklonite lišće, travu i onečišćenja. (Sl. 32)

Za pregled rezne opreme



UPOZORENJE: Kako biste spriječili nenamjerno pokretanje sigurnosni ključ okrenite na 0, uklonite bateriju i pričekajte najmanje 5 sekundi.



UPOZORENJE: Tijekom održavanja rezne opreme nosite zaštitne rukavice. Nož je vrlo oštar i lako dolazi do posjekotina.

1. Pregledajte ima li na reznoj opremi oštećenja ili pukotina. Oštećenu reznu opremu obavezno zamijenite.
2. Pregledajte nož kako biste ustanovili je li oštećen ili tup.

Napomena: Nakon oštrenja nož je nužno uravnotežiti. Nož naoštrite, zamijenite i uravnotežite u servisnom centru. Ako se pri udaru u prepreku proizvod zaustavi, zamijenite oštećeni nož. Procjenu za oštrenje ili zamjenu noža prepustite servisnom centru.

Zamjena noža

Pogledajte Tehnički podaci na stranici 182 za ispravnu vrstu noža.



UPOZORENJE: Blokirate nož drvenim blokom kako biste spriječili ozljede prstiju pri zamjeni noža. Nož je pomičan kada je motor isključen te može doći do zaglavljena prstiju između noža i nepomičnih dijelova.

1. Blokirate nož drvenim blokom. (Sl. 33)
2. Skinite vijak noža, podlošku opruge i nož. (Sl. 34)
3. Provjerite jesu li nosač noža i vijak noža neoštećeni.
4. Pregledajte vratilo motora kako biste se uvjerali da nije savijeno.
5. Zaobljene rubove novog noža pri postavljanju usmjerite prema pokrovu noža. (Sl. 35)
6. Nož mora biti poravnat sa središtem vratila motora.
7. Blokirate nož drvenim blokom. Postavite elastični rasječni prsten i zategnite vijak i podlošku na zatezni moment od 23–28 Nm. (Sl. 36) (Sl. 34)
8. Ručno povucite nož u krug kako biste provjerili okreće li se slobodno.



UPOZORENJE: Nosite rukavice za teške uvjete rada. Nož je vrlo oštar i lako dolazi do posjekotina.

9. Pokrenite proizvod kako biste ispitali nož. Ako nož nije ispravno pričvršćen, proizvod vibrira ili ishod košenja nije zadovoljavajuć.

Rješavanje problema

Baterija

LED indikator na bateriji	Uzrok	Rješenje
Trepće zeleni LED indikator.	Napon baterije je nizak.	Napunite bateriju. Pogledajte Zamjena baterije na stranici 177.
Trepće LED indikator za pogreške.	Baterija je slaba.	Napunite bateriju. Pogledajte Zamjena baterije na stranici 177.
	Temperatura radnog okoliša je previsoka ili preniska.	Bateriju upotrebljavajte u rasponu temperature između 5 °C – 40 °C.
	Prenapon.	Napon mreže mora biti jednak naponu na natpisnoj pločici proizvoda. Izvadite akumulator iz punjača akumulatora. Pričekajte 5 sekundi i ponovno pokušajte napuniti bateriju. Ako se problem nastavi, obratite se ovlaštenom serviseru.
Uključen je LED indikator za pogreške.	Razlika između ćelija je prevelika (1 V).	Obratite se ovlaštenom serviseru.

Punjač baterije

LED indikator na punjaču baterije	Uzrok	Rješenje
Trepće LED indikator za pogreške.	Temperatura radnog okoliša je previsoka ili preniska.	Punjač baterije upotrebljavajte u rasponu temperature između 5 °C – 40 °C.
Uključen je LED indikator za pogreške.		Obratite se ovlaštenom serviseru.

Kosilica

Indikator upozorenja (LED indikator pogreške) nalazi se ispod poklopca za bateriju.

Problem	LED pogreške (broj treperjenja)	Uzrok	Rješenje
Treperenje LED indikatora za pogreške. Proizvod ne radi ispravno.	5.	Nož je blokiran.	Okrenite sigurnosni ključ u položaj 0 kako biste spriječili nenamjerno pokretanje. Izvadite bateriju i pričekajte najmanje 5 sekundi. Uklonite moguće prepreke i provjerite okreću li se noževi neometano. Ako niste uklonili problem, obratite se ovlaštenom serviseru.
		Prevelik pad brzine motora i zaustavljanje motora.	Povećajte visinu rezanja. Pogledajte Postavljanje visine rezanja na stranici 176.
	10	Pregrijano je upravljanje motorom.	Zaustavite motor i pričekajte da se ohladi.
Treperenje LED indikatora za pogreške. Proizvod se zaustavlja.	0	Kvar priključka baterije.	Pregledajte priključak baterije.
	3.	Motor je preopterećen.	Povećajte visinu rezanja. Pogledajte Postavljanje visine rezanja na stranici 176.
	8.	Baterija je slaba.	Napunite bateriju. Pogledajte Zamjena baterije na stranici 177.
	9.	Pogreška baterije ili nema signala baterije.	Pravilno umetnite bateriju u proizvod i pregledajte priključak baterije. Ako na bateriji treperi LED indikator pogrešku. Pogledajte Status baterije na stranici 177.
	12	Nepravilan postupak pokretanja. Ručka kočnice motora bila je aktivirana prije pokretanja motora.	Otpustite ručku kočnice motora i pričekajte približno 5 sekundi. Ponovno gurnite ručku kočnice motora prema dolje za pokretanje proizvoda.
Ostale pogreške.	Ako dođe od pogreške, sigurnosni ključ okrenite na 0, izvadite bateriju i obratite se ovlaštenom serviseru.		

Prijevoz, spremanje i zbrinjavanje

Uvod



UPOZORENJE: Kako biste spriječili nenamjerno pokretanje tijekom prijevoza i pri sastavljanju, sigurnosni ključ okrenite na 0, uklonite bateriju i pričekajte najmanje 5 sekundi.

3. Ručku preklopite prema naprijed dok ne bude u krajnjem položaju. (Sl. 38)
4. Polugu za podešavanje visine preklopite prema poklopcu noža. (Sl. 39)
5. Otpustite kotačiće ručke. (Sl. 40)
6. Preklopite gornju ručku unatrag. (Sl. 41)

Postavljanje proizvoda u položaj za prijevoz

1. Nogom gurnite polugu za podešavanje visine. (Sl. 37)
2. Povucite ručku prema gore i izvucite polugu za podešavanje visine iz utora.

Prijevoz

- Na sadržane litij-ionske baterije primjenjuju se zahtjevi zakona o opasnim tvarima.
- Za komercijalne transporte morate poštivati posebne zahtjeve za pakiranje i oznake.
- Provjerite poštivanje propisa za opasne materijale tijekom pripreme proizvoda za transport. Primjenjuju se lokalni propisi.

- Prije prijevoza obavezno izvadite bateriju.
- Preljepite priključke baterije trakom i onemogućite pomicanje baterije tijekom transporta.
- Pričvrstite proizvod tijekom transporta.

Skladištenje

- Prije skladištenja proizvoda pričekajte na njegovo hlađenje.
- Prije skladištenja obavezno izvadite bateriju.
- Kako biste spriječili nezgode, bateriju tijekom skladištenja nemojte ostaviti priključenu na proizvod.
- Punjač baterije spremite u zatvoren, suh prostor.
- Bateriju i punjač baterije spremite u suh prostor u koji ne može prodrijeti vlaga ili mraz.
- Bateriju za skladištenje uklonite s punjača baterije.
- Bateriju nemojte skladištiti u prostoru u kojem može nastati statički elektricitet. Akumulator nemojte čuvati u metalnoj kutiji.
- Proizvod čuvajte na temperaturi okoline između - 10 °C i 40 °C.
- Bateriju čuvajte na temperaturi okoline između 5 °C i 25 °C, zaštićenu od sunčeve svjetlosti.
- Punjač baterije čuvajte na temperaturi okoline između 5 °C i 45 °C, zaštićen od sunčeve svjetlosti.
- Prije dugotrajnog skladištenja obavezno napunite bateriju na 30% do 50%.

- Proizvod, bateriju i punjač baterije skladištite u zaključanom prostoru izvan doseg djece i neodobrenih osoba.
- Očistite proizvod i provjerite je li sakupljač trave prazan.
- Provodite postupke održavanja iz ovog korisničkog priručnika. Pogledajte Raspored održavanja na stranici 178.
- Prije dugotrajnog skladištenja provedite cjeloviti servis proizvoda.

Odlaganje

Oznake na proizvodu ili ambalaži proizvoda znače da se proizvod ne smije odlagati zajedno s komunalnim otpadom. Umjesto toga, potrebno ga je odnijeti u propisani reciklažni centar za prihvata električne i elektroničke opreme.

Ispravnim rukovanjem proizvodom pomažete u ublažavanju negativnih učinaka po okoliš i osobe do kojih može doći u slučaju pogrešnog upravljanja otpadnim tvarima ovog proizvoda. Pojediniosti o recikliranju proizvoda zatražite od lokalnih tijela uprave, komunalne službe ili u prodavaonici u kojoj ste kupili proizvod.

(SI. 42)

Tehnički podaci

LB 144i	
Rezni motor	
Vrsta motora	BLDC (beskontaktni) 36 V
Broj okretaja motora – SavE, o/min	2600/min
Broj okretaja motora – nazivni, o/min	3200/min
Broj okretaja motora – veliko opterećenje, o/min	3500/min
Snaga motora – maks. kW	0,9
Snaga motora – nazivna, kW	0,75
Pogonski motor	
Snaga motora – nazivna, kW	N/D
Brzina samostalnog hoda, km/h	N/D
Razine prilagodbe brzine	N/D
Težina	
Težina (bez baterije), kg	15,5
Težina (s 1 x BLi30), kg	17,5
Baterija	

	LB 144i
Vrsta baterije	Serijske baterije Husqvarna
Trajanje baterije	
Trajanje baterije, min, (slobodni pogon) s uključenom funkcijom SavE, s jednom baterijom tvrtke Husqvarna od 7,5 Ah (BLi30).	170
Trajanje baterije, min, (slobodni pogon) s uključenim standardnim načinom rada, s jednom baterijom tvrtke Husqvarna od 7,5 Ah (BLi30).	135
Emisije buke ³¹	
Razina jačine zvuka, mjerena u dB (A)	90
Razina jačine zvuka, zajamčena L _{WA} dB (A)	92
Jačina zvuka ³²	
Razine tlaka zvuka na uhu rukovatelja, dB (A)	77
Razine vibracije ³³	
Ručka, m/s ²	0,7
Rezna oprema	
Visina rezanja, mm	25 – 75
Širina rezanja, cm	44
Standardni nož	Malčiranje, 5298073-10
Dodatna oprema za nož	Nije primjenjivo

Odobrene baterije	Vrsta	Kapacitet baterije, Ah	Napon, V	Težina, lb/kg
40-B140	Litij-ion	4,0	36.	2,6/1,2
BLi30	Litij-ion	7,5	36.	4,2/1,9

Odobreni punjači za navedene baterije, BLi	Ulazni napon, V	Frekvencija, Hz	Snaga, W
40-C80	100 – 240	50 – 60	68,8
QC250	220 – 240	50.	250

³¹ Emisije buke u okoliš izmjerene kao jačina zvuka (L_{WA}) u skladu s Direktivom EZ 2000/14/EC.

³² Navedeni podaci za razinu tlaka zvuka imaju čimbenik nesigurnosti (K) od 1,5 dB (A).

³³ Navedeni podaci o razini vibracija imaju čimbenik nesigurnosti (K) od 1,5 m/s². Navedena ukupna vrijednost vibracija izmjerena je u skladu sa standardom EN 62841-4-3, dodatkom I, i može se koristiti za međusobnu usporedbu alata u preliminarnoj procjeni izloženosti.

Izjava o sukladnosti

EU izjava o sukladnosti

Mi, **Husqvarna AB**, SE-561 82 Huskvarna, Švedska, tel.:
+46-36-146500, pod punom odgovornošću izjavljujemo
da proizvod:

Opis	Kosilica
Marka	Husqvarna
Vrsta/model	LB 144i
Identifikacija	Serijski brojevi iz 2022 i noviji

u potpunosti su sukladni sljedećim EU direktivama i
propisima:

Propis	Opis
2006/42/EC	„o strojevima“
2014/30/EU	„o elektromagnetskoj kompatibilnosti“
2000/14/EC	„koja se odnosi na emisije buke u okoliš“
2011/65/EU	„o ograničenoj upotrebi određenih opasnih tvari u električnoj i elektroničkoj opremi“

i primjenjuju se sljedeće norme i/ili tehničke
specifikacije: EN 62841-1:2015/AC:2015, EN IEC
62841-4-3:2021/A11:2021, EN ISO 12100:2010,
EN 55014-1:2021, EN 55014-2:2021, EN IEC
61000-6-2:2019, EN IEC 61000-6-3:2021, EN IEC
63000:2018

Prijavljeno tijelo: 0404, RISE SMP Svensk
Maskinprovning AB, Box 4053, SE-904 03 Umeå,
Sweden, certificiralo je sukladnost s Direktivom Vijeća
2000/14/EC, postupak kontrole kvalitete: Dodatak VI.

Informacije o emisiji buke potražite u odjeljku Tehnički
podaci na stranici 182.

Huskvarna, 2022-12-05



Claes Losdal, razvojni menadžer / proizvodi za vrtove,
Husqvarna AB

Osoba odgovorna za tehničku dokumentaciju



TARTALOMJEGYZÉK

Bevezető.....	185	Hibaelhárítás.....	195
Biztonság.....	186	Szállítás, tárolás és ártalmatlanítás.....	197
Összeszerelés.....	191	Műszaki adatok.....	198
Üzemeltetés.....	191	Megfelelőségi nyilatkozat.....	200
Karbantartás.....	194		

Bevezető

Termékleírás

A termék egy gyalog kísért forgóképes fűnyíró, mely a(z) BioClip technológia segítségével végzi el a fű trágyázásra való vágását.

A termék áttekintése

(ábra 1)

1. Fogantyú
2. Motorfékfogantyú
3. Indításgátló
4. Emelőfogantyúk
5. Vágóasztal
6. Vágási magasságot szabályozó kar
7. Biztonsági kulcs
8. Akkumulátorfedél
9. Magasságállító kar a fogantyúhoz
10. SavE gomb
11. Figyelmeztetésjelző (hibajelző LED)
12. Kezelői kézikönyv
13. Akkumulátortöltő (tartozék)
14. Akkumulátor (tartozék)

A terméken található jelzések

- (ábra 2) FIGYELMEZTETÉS
- (ábra 3) Olvassa el az utasításokat.
- (ábra 4) VIGYÁZAT – Ügyeljen az esetlegesen kirepülő tárgyakra.
- (ábra 5) Tartsa távol a nézelődőket.
- (ábra 6) VIGYÁZAT – Tartsa távol a kezét és a lábát a késektől.
- (ábra 7) VIGYÁZAT – Karbantartás előtt válassza le az akkumulátort.
- (ábra 8) A termék és a termék csomagolása nem minősül háztartási hulladéknak. Újrahasznosítását egy elektromos és elektronikus berendezések

Rendeltetésszerű használat

A termék fűnyírásra szolgál. Ne használja a terméket egyéb feladatokra.

Újrahasznosítására szolgáló ponton kell elvégezni.

(ábra 9) Az EU és az Egyesült Királyság irányelveinek és jogszabályainak, és New South Wales „Környezetben történő munkavégzés szabályozása (zajszabályozás), 2017” irányelvének megfelelő környezeti zajkibocsátási címke. A termék garantált hangteljesítményszintjére vonatkozó adatok megtalálhatók az alábbi részen: Műszaki adatok198. oldalon és a címkén.

(ábra 10) Ez a tartozék megfelel a vonatkozó EK irányelveknek.

(ábra 11) A termék megfelel a vonatkozó egyesült királyságbeli irányelveknek.

(ábra 12) A termék cseppálló.

(ábra 13) A leállításhoz engedje el a motorfékfogantyút.

(ábra 14) Beolvasható kód.

Megjegyzés: A terméken szereplő többi jel/címke egyes piacok specifikus vizsgáztatási követelményeire vonatkozik.

Termékszavatosság

A termékszavatosságra vonatkozó jogszabályok értelmében nem vagyunk felelősek a termékeink által okozott károkért az alábbi esetekben:

- a termék javítását helytelenül végezték;
- a termék javítása nem a gyártótól származó vagy általa jóváhagyott alkatrészekkel történt;

- a terméket nem a gyártótól származó vagy általa jóváhagyott kiegészítővel szerelték fel;

- a termék javítását nem hivatalos szakszerviz vagy jóváhagyott egyéb szerviz végezte.

Biztonság

Biztonsági meghatározások

A figyelmeztetések, óvintézkedések és megjegyzések a használati utasítás kiemelten fontos részeire hívják fel a figyelmet.



FIGYELMEZTETÉS: Akkor használatos, ha a kézikönyv utasításainak be nem tartása esetén fennáll a kezelő vagy a közelben tartózkodók sérülésének vagy halálának veszélye.



VIGYÁZAT: Akkor használatos, ha a kézikönyv utasításainak be nem tartása esetén fennáll a vagyoni kár, illetve a termék vagy a környező terület károsodásának veszélye.

Megjegyzés: További információt biztosít az adott helyzetben szükséges tennivalókról.

Általános termékbiztonsági figyelmeztetések



FIGYELMEZTETÉS: Olvassa el a jelen termékre vonatkozó összes biztonsági utasítást, útmutatást, ábrát és specifikációt. A az alább felsorolt utasítások figyelmen kívül hagyása áramütést, tüzet és/vagy komoly sérülést okozhat.

Tegyen el minden figyelmeztetést és utasítást, mert a jövőben szüksége lehet rájuk. A „termék” kifejezés a figyelmeztetésekben a hálózatról működő (vezetékes) termékre vagy az akkumulátorral működő (vezeték nélküli) működő termékre vonatkozik.

A munkaterület biztonsága

- Tartsa a munkaterületet tisztán és világítsa meg jól. A zsúfolt vagy sötét területeken könnyen bekövetkeznek balesetek.
- Ne működtesse a terméket robbanásveszélyes környezetben, pl. gyúlékony folyadékok, gázok vagy por jelenlétében. A termék szikrát vethet, amely begyűjthetja a port vagy a kipárolgást.
- Tartsa távol a gyermekeket és a szemlélődőket a termék működtetése közben. A figyelem elvonása miatt elvesztheti az uralmát a szerszám felett.

Elektromos biztonság

- A termék dugaszának illeszkednie kell az aljzatba. A dugón soha semmilyen átalakítást

ne végezzen. Ne használjon adaptercsatlakozót a földelt termékekhez. Kisebb az áramütés veszélye, ha eredeti dugókat és hozzájuk illő aljzatokat használ.

- Kerülje el a földelt felületekkel, pl. csövekkel, radiátorokkal, tűzhelyekkel és hűtőszekrényekkel való érintkezést. Megnövekszik az áramütés veszélye, ha a teste le van földelve.
- Ne tegye ki a termékeket esőnek vagy nedves környezetnek. A termékbe jutó víz növeli az áramütés kockázatát.
- Ne bányon durván a kábellel. A kábelt ne használja a termék hordozására, húzására vagy a dugasz kihúzására. Tartsa távol a kábelt hőtől, olajtól, éles széléktől vagy mozgó alkatrészekről. A sérült vagy összegabalyodott kábelek megnövelik az áramütés kockázatát.
- Ha kültérben használja a terméket, használjon kültéri használatra megfelelő hosszabbító kábelt. A kültéri alkalmazáshoz megfelelő hosszabbító használata csökkenti az áramütés veszélyét.
- Ha a termék feltétlenül nedves helyen kell használni, alkalmazzon életvédelmi relével (RCD) védett tápellátást. RCD használatával csökkenthető az áramütés kockázata.

Személyes biztonság

- Legyen elővigyázatos, figyeljen arra, amit csinál, és használja a józan eszét a termék működtetése során. Ne használja a terméket, ha fáradt, illetve ha gyógyszer, gyógykezelés vagy alkohol hatása alatt áll. A termékek működése közben egy pillanatra figyelmeztetés is súlyos személyi sérülést okozhat.
- Használjon személyi védőfelszerelést. Mindig használjon szemvédőt. A megfelelő környezetben a védőfelszerelések, például a pormaszk, a csúszásgátló védőcipő, a kemény fejtvédő és a fülvédő használata csökkenti a személyi sérülések kockázatát.
- Akadályozza meg a véletlen indítást. Ellenőrizze, hogy a bekapcsoló gomb kikapcsolt állásban van-e, mielőtt csatlakoztatja az áramforrást és/vagy az akkumulátort, illetve felveszi vagy szállítja a terméket. Balesetet okozhat, ha a terméket úgy viszi, hogy az ujjja a kapcsolón van, vagy ha a bekapcsolt terméket áram alá helyezi.
- Távolítsa el minden beállító kulcsot vagy csavarulcsot, mielőtt bekapcsolná a terméket. A termék forgó alkatrészéhez csatlakozó kulcs vagy más szerszám személyi sérülést okozhat.
- Ne nyújtózkodjon a termékkel. Mindig szilárdan álljon a talajon, és őrizzék meg az egyensúlyát. Így jobban uralhatja a terméket váratlan helyzetekben.

- Öltözködjön megfelelően. Ne viseljen ékszereket, rövidnadrágot, szandált, illetve ne legyen meztítláb. Tartsa távol a haját és ruházatát a mozgó alkatrészekről. A mozgó alkatrészek bekaphatják a laza ruhát, az ékszert vagy a hosszú haját.
- Ha a készülékhez csatlakoztatható porgyűjtő berendezés, mindig csatlakoztassa és használja azt. A porgyűjtő alkalmazása csökkenti a porral kapcsolatos veszélyeket.
- A termékek rendszeres használatából adódó tapasztalata ne vezessen oda, hogy a termékeket könnyelműen, a szerszámbiztonsági alapelvek figyelmen kívül hagyásával működteti. Egy gondatlanul kivitelezett művelet akár egy századmásodperc alatt is súlyos sérüléshez vezethet.

A termék használata és karbantartása

- Ne kerülje túl a terméket. Használja a feladathoz megfelelő terméket. A megfelelő termék jobb és biztonságosabb munkát fog végezni azon a sebességen, amire tervezték.
- Ne használja a terméket, ha a kapcsoló nem kapcsolja ki vagy be. A kapcsolóval nem vezérelhető termékek veszélyesek és javításra szorulnak.
- Húzza ki a dugaszt az áramforrásból és/vagy vegye ki az akkumulátort (amennyiben kivethető), ha bármilyen beállítást végez, kicserél egy tartozékot vagy tárolja a termékeket. Az ilyen megelőző biztonsági intézkedések csökkentik a termék véletlen elindításának veszélyét.
- A nem használt termékeket tartsa távol a gyermekektől, és ne engedje, hogy olyan személyek működtessék, akik nem ismerik a terméket és ezeket az utasításokat. A termékek képzetlen felhasználók kezében veszélyt jelentenek.
- Végezze el a termékek és a tartozékok karbantartását. Ellenőrizze, hogy a mozgó alkatrészek helyükön vannak-e, nem szorulnak-e, nem törtek-e le részek, illetve nem áll-e fenn más olyan állapot, amely befolyásolhatja a termék működését. Ha sérült, a használat előtt javíttassa meg a terméket. Sok balesetet rosszul karbantartott termékek okoznak.
- Tartsa élesen és tisztán a vágószerszámokat. A megfelelően karbantartott, éles vágószerszámok kevésbé hajlamosak a beszorulásra, és könnyebb kezelni őket.
- A terméket, a kiegészítőket és az alkatrészeket stb. ezen utasításokkal összhangban használja, vegye figyelembe a munkakörülményeket és az elvégzendő feladatot. Ha a terméket nem a rendeltetésének megfelelően használják, veszélyes helyzet állhat elő.
- A fogantyúkat és fogófelületeket tartsa szárazon, tisztán, olaj- és zsírmentesen. A csúszós fogantyúk és fogófelületek nem teszik lehetővé a termék biztonságos kezelését és irányítását váratlan helyzetekben.

Az akkumulátor használata és karbantartása

- Csak a gyártó által meghatározott töltővel töltsen. Az a töltő, amelyik az egyik típusú akkumulátorhoz használható, tűzveszélyes lehet, ha másik típusú akkumulátorral használják.
- A termékeket csak a típusuknak megfelelő akkumulátorokkal használja. Bármilyen más típusú akkumulátor használata sérülés- és tűzveszélyes.
- Amikor az akkumulátort nem használja, tartsa távol más fémtárgyaktól, például gémkapcsoktól, érméktől, kulcsoktól, tűktől, csavaroktól vagy más kisebb fémtárgyaktól, amelyek összekapcsolhatják a sarukat. Az akkumulátorsaruk rövidre zárása égést vagy tüzet okozhat.
- Nem megfelelő körülmények hatására az akkumulátorból folyadék szivároghat ki. Kerülje az érintkezést. Ha ez véletlenül mégis megtörténik, öblítse le vízzel. Ha a folyadék szembe kerül, forduljon orvoshoz. Az akkumulátorból távozó folyadék irritációt vagy égési sérülést okozhat.
- Ne használjon sérült vagy módosított akkumulátort vagy szerszámot. A sérült vagy módosított akkumulátorok kiszámíthatatlanul viselkedhetnek, ami tüzet, robbanást vagy sérülést okozhat.
- Az akkumulátort vagy szerszámot ne tegye ki tűznek vagy túl magas hőmérsékletnek. A tűznek való kitettség, illetve a 130 °C/265 °F feletti hőmérséklet robbanást okozhat.
- Kövesse a töltésre vonatkozó utasításokat, és ne töltsen az akkumulátort vagy a szerszámot az utasításokban megadott hőmérséklet-tartományon kívül. A nem megfelelő, illetve a megadott tartományon kívül eső hőmérsékleten való töltés károsíthatja az akkumulátort és növeli a tűzveszélyt.

Szolgáltatás

- A termék szervizelését képzett szerelővel végeztesse el, aki kizárólag eredeti cserealkatrészeket használ. Ez biztosítja, hogy a termék továbbra is biztonságos maradjon.
- Soha ne szervizelje a sérült akkumulátort. Az akkumulátor szervizelését csak a gyártó vagy egy hivatalos szolgáltató végezheti el.

A fűnyírógépre vonatkozó biztonsági figyelmeztetések

- Rossz időjárási körülmények között – főleg villámlás veszélye esetén – ne használja a fűnyírógépet. Ez csökkenti a villámcsapás veszélyét.
- Alaposan vizsgálja meg vadvilág szempontjából azt a területet, ahol a fűnyírógépet használni kívánja. A vadon élő állatok megsérülhetnek a fűnyírógép működése közben.
- Alaposan vizsgálja át a területet, ahol a fűnyírógépet használni kívánja, és távolítsa el minden követ, botot, drótot, csontot és egyéb idegen tárgyat. A felcsapódó tárgyak súlyos személyi sérülést okozhatnak.

Általános biztonsági utasítások



FIGYELMEZTETÉS: A termék használata előtt olvassa el az alábbi figyelmeztetéseket.

- Ez a termék veszélyes, ha helytelenül használja, vagy ha nem vigyáz. A biztonsági utasítások be nem tartása sérüléssel vagy halállal járhat.
- A termék működés közben elektromágneses mezőt hoz létre. Ez bizonyos körülmények esetén hatással lehet az aktív vagy passzív orvosi implantátumokra. A súlyos vagy halálos sérülés kockázatának csökkentése érdekében azt javasoljuk, hogy az orvosi implantátumot használó személyek a termék alkalmazása előtt kérjék ki orvosuk vagy az orvosi implantátum gyártójának tanácsát.
- Mindig megfontoltan és előrelátóan cselekedjen. Ha nem biztos benne, hogyan kell a terméket speciális helyzetben üzemeltetni, akkor hagyja abba a tevékenységet, és beszéljen a Husqvarna kereskedőjével a folytatás előtt.
- Ne feledje, hogy a kezelő felelős a másokat és a mások tulajdonát érő balesetekért is.
- Tartsa tisztán a terméket. Ügyeljen arra, hogy a jelek és címkék jól olvashatóak legyenek.
- Soha ne engedje, hogy gyermekek vagy a kezelési utasításokat nem ismerő személyek használják a készüléket. A helyi rendelkezések adott esetben kezelési korhatárt szabhatnak meg.
- Csökkent fizikai vagy szellemi képességekkel rendelkező személy csak felügyelet mellett használhatja a terméket. Egy felelős felnőttnek mindig jelen kell lennie.
- Ne használja a terméket, ha fáradt, beteg, illetve alkohol, drog vagy gyógyszer hatása alatt áll. Ez negatív hatással van a látására, az éberségére, a koordinációjára és az ítélőképességére.
- Ne használja a terméket, ha hibás.
- Ne változtassa meg a terméket, vagy ne használja, ha feltehetőleg valaki más változtatásokat hajtott végre rajta.

Munkabiztonság



FIGYELMEZTETÉS: A termék használata előtt olvassa el az alábbi figyelmeztetéseket.

- Ezt a terméket kizárólag fűves pázsitok nyírására használja. A termék más feladatokra történő használata nem megengedett.
- Használjon személyi védőfelszerelést. Lásd: Személyi védőfelszerelés 189. oldalon.
- Mindenképpen legyen tisztában azzal, hogy vészhelyzet esetén hogyan kell gyorsan leállítani a motort.

- A fűnyírógép használata előtt mindig ellenőrizze szemrevételezéssel, hogy a kés és a vágószerkezet nem kopott-e vagy sérült-e. A kopott vagy sérült alkatrészek növelik a sérülésveszélyt.
- Rendszeresen ellenőrizze, hogy nem észlelhető-e kopás vagy minőségromlás a fűnyújtón. A kopott vagy sérült fűnyújtó növelheti a személyi sérülés kockázatát.
- Tartsa a védőburkolatokat a helyükön. A védőburkolatoknak működőképesnek kell lenniük, és megfelelően kell felszerelni őket. A meglazult, sérült vagy nem megfelelően funkcionáló védőburkolat személyi sérülést okozhat.
- Minden hűtőlevegő bemeneti nyílást tartson törmelékektől mentesen. Az eltömődött levegőbemeneti nyílások és a törmelék túlmelegedést vagy tűzveszélyt okozhatnak.
- A fűnyírógép működtetése közben mindig viseljen csúszásmentes munkavédelmi lábbelit. Ne használja a fűnyírógépet meztláb vagy nyitott szandálban. Ez csökkenti a mozgó késsel való érintkezés miatti lábsérülés kockázatát.
- A fűnyírógép használata közben mindig viseljen hosszú nadrágot. A szabadon hagyott bőrfelületek növelik a repülő tárgyak okozta sérülés valószínűségét.
- Ne működtesse a fűnyírógépet nedves fűvön. Sétáljon, soha ne fusson. Ez csökkenti az esetleges személyi sérüléshez vezető elcsúszás vagy elesés kockázatát.
- Ne üzemeltesse a fűnyírógépet túlságosan meredek lejtőkön. Ez csökkenti az esetleges személyi sérüléshez vezető irányításvesztés, elcsúszás vagy elesés kockázatát.
- Ha lejtőn dolgozik, mindig ügyeljen arra, hogy stabilan áll, mindig a lejtőn keresztben dolgozzon, soha ne felfelé vagy lefelé, és irányváltáskor legyen rendkívül óvatos. Ez csökkenti az esetleges személyi sérüléshez vezető irányításvesztés, elcsúszás vagy elesés kockázatát.
- Legyen különösen körültekintő, ha a fűnyírógépet maga felé húzza, vagy hátrafelé halad. Mindig figyeljen oda a környezetére. Ez csökkenti a használat közbeni megbotlás kockázatát.
- Ne érintse meg a késeket és más veszélyes mozgó alkatrészeket, amíg azok mozgásban vannak. Ez csökkenti a mozgó alkatrészek okozta sérülések kockázatát.
- A beragadt anyagok eltávolításakor és a fűnyírógép tisztításakor győződjön meg arról, hogy minden főkapcsoló ki van-e kapcsolva, és a tápkábel le van-e választva. A fűnyíró vértalan bekapcsolódása súlyos személyi sérülést okozhat.

Életvédelmi relé

- Használjon egy legfeljebb 30 mA-es kioldóáramra szabályozott életvédelmi relét.

- Ne működtesse a terméket esős vagy nedves körülmények között. A termékbe jutó víz növeli az áramütés kockázatát.
- Ne használja a készüléket, hacsak a kés és az összes borítás nincs megfelelően rögzítve. A nem megfelelően rögzített kés kilazulhat, és személyi sérülést okozhat.
- Ügyeljen arra, hogy a kés ne ütközzön olyan tárgyakra, mint például kövek és gyökerek. Ez kárt tehet a késben, és meghajlíthatja a motor tengelyét. A meghajlott tengely erős rezgést okoz, és így nagyon nagy a kockázata annak, hogy a kés meglazul.
- Ha a kés valamilyen tárgynak ütközik vagy rezegni kezd, azonnal állítsa le a terméket. Állítsa le a motort, fordítsa a biztonsági kulcsot „0” állásba, és vegye ki az akkumulátort. Várjon, amíg a mozgó alkatrészek megállnak. Ellenőrizze, hogy a termék sérülésmentes-e. Szorítsa meg a laza alkatrészeket. Javítsa meg a sérüléseket, és cserélje ki a sérült alkatrészeket. Bizza hivatalos szervizműhelyre a javítást.
- Amikor a motor működésben van, soha ne rögzítse tartósan a motorfékfogantyút a fogantyúhoz.
- Helyezze a terméket stabil, vízszintes felületre, és kapcsolja be. Gondoskodjon arról, hogy a kés ne ütközzön se a talajba, se egyéb tárgyakra.
- Mindig maradjon a termék mögött, amikor működteti.
- A termék üzemeltetése során minden kerék legyen a talajon, és tartsa két kézzel a fogantyút. Tartsa távol kezét és lábát a forgó késektől.
- Ne döntse meg a terméket a motor indításakor vagy a termék működése közben.
- Legyen óvatos, amikor hátrafelé húzza a terméket.
- Soha ne emelje fel a terméket, ha a motor jár. Ha mindenképpen fel kell emelnie a terméket, először állítsa le a motort, a biztonsági kulcsot fordítsa „0” állásba, és vegye ki az akkumulátort.
- Ne sétáljon hátrafelé a termék működtetése során.
- Állítsa le a motort, ha a terméket szállításhoz meg kell döntenie, vagy mielőtt olyan területeken haladna át, ahol nincs fű, például kavicsos, kövezett és aszfaltozott járdák.
- Ne fusson a termékkel, ha a motor jár. Mindig sétáljon a termék működtetése során.
- Mielőtt megváltoztatná a vágási magasságot, állítsa le a motort. Soha ne végezzen beállításokat, amikor a motor jár.
- Soha ne hagyja a terméket felügyelet nélkül járó motor esetén. Állítsa le a motort és győződjön meg arról, hogy a vágószerkezet nem forog.
- A termék működés közbeni rezgései eltérhetnek az itt megadott rezgésértékektől: Műszaki adatok 198. oldalon. Az eltérést a termék eltérő használati módja okozza. Ha a terméket gyakran vagy hosszú ideig használja, a rezgések okozta sérülések elkerülése érdekében rendszeresen tartson szünetet.

Biztonsági utasítások az üzemeltetéshez

Személyi védőfelszerelés



FIGYELMEZTETÉS: A termék használata előtt olvassa el az alábbi figyelmeztetéseket.

- A személyi védőfelszerelés nem küszöböli ki teljes mértékben a sérülés kockázatát, de csökkenti a sérülés mértékét, ha bekövetkezik a baleset. A megfelelő felszerelés kiválasztásában kérje a kereskedő segítségét.
- Használjon nagy teherbírású, csúszásmentes bakancsot vagy cipőt. Ne használja nyitott cipőben vagy mezítláb a terméket.
- Viseljen vastag, hosszú szárú nadrágot.
- Viseljen védőkesztyűt, például a vágószerkezet felhelyezésekor, ellenőrzésekor vagy tisztításakor.
- Javasoljuk, hogy használjon hallásvédőt.

Biztonsági eszközök a terméken



FIGYELMEZTETÉS: A termék használata előtt olvassa el az alábbi figyelmeztetéseket.

- Ne használjon olyan terméket, amelynek hibásak a biztonsági eszközei.
- Ne távolítsa el és ne végezzen módosításokat a biztonsági eszközökön.
- Rendszeresen ellenőrizze a biztonsági eszközöket. A biztonsági eszközök meghibásodása esetén vegye fel a kapcsolatot a Husqvarna szervizműhellyel.

A vágóburkolat ellenőrzése

A vágóburkolat csökkenti a termék rezgését és a kés okozta sérülések kockázatát.

- Vizsgálja meg a vágóburkolatot, hogy nincs rajta sérülés, például repedés.

A biztonsági kulcs ellenőrzése

A biztonsági kulcs az akkumulátorfedél alatt helyezkedik el. A biztonsági kulcs csatlakoztatja a motort ellátó akkumulátort.

- A biztonsági kulcs ellenőrzéséhez indítsa be, majd állítsa le a motort.
- Ha a biztonsági kulcs megfelelően működik, a motor csak akkor indítható be, ha a biztonsági kulcs az „1” állásba van fordítva. (ábra 15)

A motorfékfogantyú ellenőrzése

A motorfékfogantyú a motor leállítására szolgál. Ha elengedi a motorfékfogantyút, a motor leáll.

- Indítsa be a terméket. Lásd: A termék elindítása 193. oldalon.

- Engedje el a motorfékfogantyút. (ábra 16)
- Ügyeljen arra, hogy a termék megálljon. Ha a motor 3 másodpercen belül nem áll le, állítsa be egy hivatalos Husqvarna szakszervizben a motorféket.

Az indításgátló ellenőrzése

Bizonyosodjon meg arról, hogy az indításgátló megakadályozza a motor elindulását.

1. Nyomja a motorfékfogantyút a fogantyú irányába. Az indításgátló megakadályozza a mozgást.
2. Nyomja kifelé az indításgátlót. (ábra 17)
3. Engedje ki az indításgátlót, és győződjön meg arról, hogy az visszatér alaphelyzetbe.

Az akkumulátorral kapcsolatos biztonsági előírások



FIGYELMEZTETÉS: A termék használata előtt olvassa el az alábbi figyelmeztetéseket.

- A Husqvarna tölthető akkumulátorokat csak a kompatibilis Husqvarna termékek tápellátására használja. Ne használja az akkumulátort más eszközök áramforrásaként, mivel ez balesetveszélyes.
- Ne használjon nem újratölthető akkumulátorokat.
- Elektromos áramütés veszélye. Ne csatlakoztassa az akkumulátorsarukat kulcsokhoz, érmékhez, csavarokhoz vagy egyéb fémhez. Ez az akkumulátor rövidzárlatát okozhatja.
- Ne tegyen tárgyakat az akkumulátor szellőzőnyílásaiba.
- Tartsa távol az akkumulátort a közvetlen napsütéstől, hőtől és nyílt lángtól. Az akkumulátor felrobbanhat, és súlyos égési, illetve vegyi égési sérüléseket okozhat.
- Tartsa az akkumulátort esős, nedves környezettől távol.
- Tartsa az akkumulátort mikrohullámoktól és magas nyomástól távol.
- Soha ne próbálkozzon az akkumulátor szétszerelésével vagy szétvételével.
- Ha az akkumulátor szivárog, ne hagyja, hogy a folyadék bőrre vagy szembe kerüljön. Ha a folyadékhoz ért, nagy mennyiségű vízzel tisztítsa meg az adott testfelületet, és forduljon orvoshoz.
- Az akkumulátort csak 5 °C és 40 °C közötti környezeti hőmérséklet mellett használja a termékben.
- Az akkumulátortöltőt csak 5 °C és 40 °C közötti környezeti hőmérséklet mellett használja.
- Az akkumulátor nem töltődik fel, ha az akkumulátor hőmérséklete 50 °C-nál magasabb.
- Soha ne tisztítsa vízzel az akkumulátort vagy az akkumulátortöltőt. Lásd: Az akkumulátor és az akkumulátortöltő tisztítása 194. oldalon.

- Ne használjon meghibásodott vagy sérült akkumulátort.
- A tárolás során tartsa az akkumulátorokat távol a fém tárgyaktól, például szegektől, érméktől, ékszerektől.

Az akkumulátortöltő készülék biztonsága



FIGYELMEZTETÉS: A termék használata előtt olvassa el az alábbi figyelmeztetéseket.

- A QC akkumulátortöltőket csak a Husqvarna csereakkumulátorok töltésére használja.
- Áramütés vagy rövidzárlat veszélye. Ne tegyen tárgyakat a töltő szellőzőnyílásaiba. Ne próbálkozzon az akkumulátortöltő szétszerelésével. Ne érintsen a töltő csatlakozóihoz fémtárgyat. Használjon jóváhagyott hálózati aljzatot.
- A termék működés közben elektromágneses mezőt hoz létre. Ez bizonyos körülmények esetén hatással lehet az aktív vagy passzív orvosi implantátumokra. A súlyos vagy halálos sérülés kockázatának csökkentése érdekében azt javasoljuk, hogy az orvosi implantátumot használó személyek a termék alkalmazása előtt kérjék ki orvosuk vagy az orvosi implantátum gyártójának tanácsát.
- Rendszeresen ellenőrizze, hogy az akkumulátortöltő tápkábele nem sérült-e, és hogy nincs rajta repedés.
- Ne emelje fel az akkumulátortöltőt a tápkábelnél fogva. Az akkumulátortöltő fali aljzattól történő kihúzásához a dugaszt húzza. Ne a tápkábel húzza.
- Tartsa távol a hálózati tápkábelt és a hosszabbítókábel a víztől, az olajtól és az éles élektől. Ügyeljen rá, hogy a kábel ne csipődjön be ajtóba, korlátba vagy hasonló tárgyba. Ilyen esetben a töltő feszültség alá kerülhet.
- Soha ne tisztítsa vízzel az akkumulátortöltőt.
- Az akkumulátortöltőt 8 éven felüli gyermekek, illetve csökkent fizikai, érzékelési vagy szellemi képességekkel rendelkező, vagy az akkumulátortöltő működtetésében járatlan személyek is használhatják, amennyiben ezt felügyelet mellett teszik, illetve ismerik a készülék biztonságos működtetésének módját és az azzal járó veszélyeket. Gyermekek nem játszhatnak az akkumulátortöltővel. Gyermekek csak felügyelet mellett végezhetnek tisztítást és karbantartást.
- Ne töltsön nem újratölthető akkumulátorokat a töltővel.
- Ne használja az akkumulátortöltőt gyúlékony anyagok vagy olyan anyagok közelében, amelyek korróziót okozhatnak. Ne takarja le a töltőkészüléket. Amennyiben a töltő füstölni vagy égni kezdene, húzza ki a dugóját.
- Ne használjon meghibásodott vagy sérült akkumulátortöltőt.
- Az akkumulátort csak jó szellőzésű helyiségben, napfénytől távol töltsen. Ne töltsen az akkumulátort nedves körülmények között.

Biztonsági utasítások a karbantartáshoz



FIGYELMEZTETÉS: A termék használata előtt olvassa el az alábbi figyelmeztetéseket.

- A véletlen beindítás elkerülése érdekében karbantartáskor fordítsa a biztonsági kulcsot „0” állásba, és távolítsa el az akkumulátort. A karbantartás megkezdése előtt várjon legalább 5 másodpercet.
- Csak a felhasználói kézikönyvben megadott karbantartást végezze el. Komolyabb beavatkozásokat és szakszerű javításokat csak hivatalos szerviznek végezhet. Bővebb információért forduljon a legközelebbi szakszervizhez.
- A termék élettartamának növelése és a balesetveszély elkerülése érdekében végezze el szakszerűen a karbantartási műveleteket.
- A sérült, kopott vagy törött alkatrészt cserélje ki. Mindig a gyártó eredeti pótalkatrészeit használja.

Más pótalkatrészek károsíthatják a terméket, és növelhetik a balesetveszélyt.

- A sérülések elkerülése érdekében ne távolítsa el és ne végezzen módosításokat a biztonsági eszközökön.
- A vágószerkezet használata során viseljen strapabíró védőkesztyűt. A kés nagyon éles, könnyen megvághatja magát.
- A legjobb és legbiztonságosabb teljesítmény érdekében tartsa a vágóéleket élesen és tisztán.
- Rendszeresen ellenőriztesse a gépet a szakszervizzel, és végeztesse el a szükséges beállításokat és javításokat.
- Kövesse a tartozékcsereire vonatkozó utasításokat. Kizárólag a gyártótól származó tartozékokat használja.
- Ha nincs használatban, tartsa a terméket, az akkumulátort és az akkumulátortöltőt elkülönítve egy száraz, beltéri és zárt területen. Gondoskodjon róla, hogy gyermekek és felhatalmazással nem bíró személyek ne férhessenek hozzá a termékhez, az akkumulátorhoz és az akkumulátortöltőhöz.

Összeszerelés

Bevezető



FIGYELMEZTETÉS: A termék összeszerelése előtt olvassa el a biztonságra vonatkozó fejezetet.



FIGYELMEZTETÉS: A véletlen beindítás elkerülése érdekében az összeszereléskor fordítsa a biztonsági kulcsot „0” állásba, vegye ki az akkumulátort, és várjon legalább 5 másodpercet.

2. Húzza meg a fogantyúgombokat. (ábra 18)
3. Húzza hátra a kart, amíg végállásba nem kerül.
4. Hajtsa le a magasságállító kart, és tegye a horonyba. (ábra 19)
5. Nyomja le a magasságállító kart a lábával. (ábra 20)

A fogantyúmagasság beállítása

1. Nyomja be a magasságállító kart a lábával.
2. Állítsa a fogantyút a megfelelő helyzetbe, majd engedje el a fogantyút. (ábra 21)

A fogantyú összeszerelése

1. Hajtsa előre a felső fogantyút.

Üzemeltetés

Bevezető



FIGYELMEZTETÉS: A termék működtetése előtt el kell olvasnia és meg kell értenie a biztonságról szóló fejezetet.

Husqvarna Connect

A Husqvarna Connect egy ingyenes mobilalkalmazás. A Husqvarna Connect alkalmazás kibővített funkciókat biztosít Husqvarna termékéhez:

- Bővebb termékinformációk.

- Információk és segítség a termékalkatrészekkel és a szervizeléssel kapcsolatban.

A Husqvarna Connect használatának megkezdése

1. Töltse le a Husqvarna Connect alkalmazást mobileszközére.
2. Regisztráljon egy fiókot a Husqvarna Connect alkalmazásban.

3. A termék csatlakoztatásához és regisztrálásához kövesse a Husqvarna Connect alkalmazásban megjelenő utasításokat.

A termék működési pozícióba állítása

1. Szerelje össze a fogantyút. Lásd: A fogantyú összeszerelése 191. oldalon.
2. Állítsa be a fogantyúmagasságot. Lásd: A fogantyúmagasság beállítása 191. oldalon.



VIGYÁZAT: Ügyeljen arra, hogy a kábelek ne legyenek túl feszesek. Ha a kábelek túlságosan feszesek, a fogantyú szállítási helyzetbe történő összehajtásakor megsérülhetnek.



FIGYELMEZTETÉS: Csak akkor működtesse a terméket, ha a fogantyú teljesen fel van hajtva, és a megfelelő magassági helyzetek egyikébe be van állítva. Lásd: A fogantyúmagasság beállítása 191. oldalon.

A vágási magasság beállítása

A vágási magasság 6 különböző fokozatra állítható.

1. Állítsa le a motort.
2. Mozgassa a vágási magasságot szabályozó kart hátrafelé a vágási magasság növeléséhez. (ábra 22)
3. Mozgassa a vágási magasságot szabályozó kart előre felé a vágási magasság csökkentéséhez.



VIGYÁZAT: Ne állítsa túl alacsonyra a vágási magasságot. A kések a talajba ütközhetnek, ha a pázsit felülete nem egyenes.

Akkumulátor



FIGYELMEZTETÉS: Az akkumulátor használata előtt el kell olvasnia és meg kell értenie a biztonságról szóló fejezetet. Olvassa el figyelmesen az akkumulátorhoz és az akkumulátortöltőhöz mellékelt használati útmutatót is.

Tartsa az akkumulátort és az akkumulátortöltőt megfelelő környezeti hőmérsékleten.

	Környezeti hőmérséklet
Az akkumulátor használata	5 °C – 40 °C
Az akkumulátor feltöltése	5 °C – 40 °C

Akkumulátorállapot

A kijelző jelzi az akkumulátor töltöttségét, valamint azt, hogy van-e valami probléma az akkumulátorral. Az akkumulátortöltöttség jelzése 5 másodpercig látható a termék kikapcsolása, illetve az akkumulátorjelző gomb megnyomása után. Hiba esetén az akkumulátor figyelmeztető lámpája világít. Lásd Akkumulátor 195. oldalon.

(ábra 23)

LED lámpák	Akkumulátorállapot
Minden LED világít	Teljes töltöttség (75–100%)
Az 1., 2. és 3. LED világít	Az akkumulátor töltöttsége 50–75%-os
Az 1. és 2. LED világít	Az akkumulátor töltöttsége 25–50%-os
Az 1. LED világít	Az akkumulátor töltöttsége 0–25%-os
Az 1. LED villog.	Az akkumulátor lemerült. Töltse fel az akkumulátort.

Az akkumulátor töltése

Az első használat előtt tölts fel az akkumulátort. Az akkumulátor gyárilag csak 30%-ra van feltöltve.

Megjegyzés: Az akkumulátortöltőt a típus táblán szereplő feszültségű és frekvenciájú áramforráshoz kell csatlakoztatni.

Ha az akkumulátor hőmérséklete 50 °C felett van, a töltés nem indul el. Az akkumulátortöltőt csökkenti az akkumulátor hőmérsékletét, mielőtt megkezdene annak töltését.

1. Csatlakoztassa az akkumulátortöltőhöz való tápkábel egyik végét az akkumulátortöltő aljzatához.
2. Csatlakoztassa az akkumulátortöltőhöz való tápkábel másik végét egy földelt hálózati aljzathoz. Egyszer zölden felvillan a töltő LED-je. (ábra 24)
3. Helyezze az akkumulátort a töltőbe. Az akkumulátor és a töltő közötti helyes érintkezésről a töltőn lévő zöld lámpa világítása tanúskodik. (ábra 25)
4. Ha az akkumulátoron az összes LED világít, az akkumulátor teljesen fel van töltve. Az akkumulátort legfeljebb 24 óráig tölts.
5. Az akkumulátortöltő fali aljzattól történő kihúzásához a dugaszt húzza, ne a tápkábelt.
6. Vegye ki az akkumulátort a töltőből.

Akkumulátortöltési állapot

A Husqvarna lítiumion-akkumulátorok bármilyen töltöttségi szintnél tölthetők. Ez nem árt az

akkumulátornak. A teljesen feltöltött akkumulátor a töltőkészülékben hagyva sem veszíti el töltését.

LED-es kijelző	Töltési állapot
Az 1. LED villog.	0%–25%
Az 1. LED világít, a 2. LED villog	25%–50%
Az 1. és 2. LED világít, a 3. LED villog.	50%–75%
Az 1., 2. és 3. LED világít, a 4. LED villog.	75%–100%
Az 1., 2., 3. és 4. LED világít	Teljesen feltöltve

A termék elindítása

1. Nyissa fel az akkumulátorfedelelet.
2. Helyezze a feltöltött akkumulátort az akkumulátortartóba.
3. Állítsa a biztonsági kulcsot „1” állásba. (ábra 26)
4. Maradjon a termék mögött.
5. Oldja ki az indításgátlót. (ábra 17)
6. Nyomja a motorfékfogantyút a fogantyú irányába. (ábra 27)

A SaveE™ funkció használata ()

A termék akkumulátorkímélő funkcióval (SaveE™) rendelkezik, amely hosszabb üzemidőt biztosít.

- A funkció elindításához nyomja meg a SaveE™ gombot, hogy az „1” állásban legyen. (ábra 28)
- A funkció leállításához nyomja meg a SaveE™ gombot, hogy az „0” állásban legyen.

Megjegyzés: A SaveE™ funkció automatikusan leáll, ha a talajkörülmények nagyobb teljesítményt követelnek meg. A SaveE™ funkció automatikusan újra bekapcsol, ha a talajkörülmények lehetővé teszik.

Nagy terhelésű üzemmód funkció

Ha a termékkel hosszú vagy nedves fűvet vág, a motor automatikusan növeli a fordulatszámot. A motor normál módba tér vissza, ha a nincs szükség nagy terhelésre.

A motor leállása

Használat közben a kés és a motor ideiglenesen leállhat olyan akadályok miatt, mint például a fű összetorlódása a vágóburkolat alatti. Ha ez bekövetkezik, és a motorfékfogantyút lenyomva tartja, a termék automatikusan újraindul. Ha a készülék

5-10 másodpercen belül nem indul újra, szükség lehet a vágóburkolat alatti terület kitisztítására. Lásd: A termék tisztítása 194. oldalon.



FIGYELMEZTETÉS: Ha a motor leáll, a termék 5-10 másodpercig automatikusan próbál újraindulni. Várjon legalább 15 másodpercet, mielőtt ellenőrizné a vágófedelelet.



FIGYELMEZTETÉS:

A vágóburkolat ellenőrzése előtt engedje el a motorfékfogantyút, fordítsa a biztonsági kulcsot „0” állásba, vegye ki az akkumulátort, és várjon legalább 5 másodpercet. Az akadály eltávolítása után a termék véletlen elindulása sérülésveszélyt okozhat.

A termék () leállítás



FIGYELMEZTETÉS: Mindig állítsa a biztonsági kulcsot „0” állásba, ha a terméket felügyelet nélkül hagyja.

1. A motor leállításához engedje fel a motorfékfogantyút. (ábra 29)
2. Nyissa fel az akkumulátorfedelelet, és fordítsa a biztonsági kulcsot „0” állásba. (ábra 30)
3. Az akkumulátor eltávolításához nyomja meg a két kioldógombot, és húzza ki az akkumulátort. (ábra 31)
4. Töltse fel a gyenge töltöttségű akkumulátort. További információért lásd: Az akkumulátor töltése 192. oldalon.

Megfelelő eredmény elérése

- Használjon mindig éles kést. A tompa kés egyenetlen eredményt ad, és a fű vágási felülete megsérül. Az éles kés egyben kevesebb energiát igényel, mint a tompa kés.
- Ne nyírjon le többet a fű hosszának 1/3-ánál. Először nagy vágási magasságot állítson be, és ügy nyírjon. Vizsgálja meg az eredményt, és csökkentse a vágási magasságot egy megfelelő szintre. Ha nagyon magas a fű, lassan és szükség esetén 2-szer nyírjon.
- Minden alkalommal más irányban haladjon, hogy ne alakuljanak ki sávok a pázsiton.
- Tartsa tisztán a vágóburkolatot. A vágóburkolat belső oldalán lerakódott fű és szennyeződés ronthatja a vágási eredményt. Lásd: A termék tisztítása 194. oldalon.

Karbantartás

Részletesebb információért lásd: www.husqvarna.com.

Bevezetés



FIGYELMEZTETÉS: Karbantartás előtt el kell olvasnia és meg kell értenie a biztonságról szóló fejezetet.

A gépen végzett minden szerviz- és javítási munkát szakképzettséget igényel. Garantáljuk a professzionális javítások és szervizelés lehetőségét. Ha márkakereskedője nem szervizműhely, forduljon hozzájuk a legközelebbi szervizműhellyel kapcsolatban.

Karbantartási terv

A karbantartási intervallumok meghatározásakor a termék napi használatát feltételeztük. Az intervallum változik, ha a terméket nem napi rendszerességgel használja.

A *-gal jelölt karbantartásokhoz az utasításokat lásd:

Biztonság186. oldalon.

	Minden használat során	Havi	Évszakonként
Végezzen általános ellenőrzést.	X		
Tisztítsa meg a terméket.	X		
Tisztítsa meg a fogantyúmagasság-állító kar körüli területet.	X		
Ellenőrizze az indításgátlót. *	X		
Ellenőrizze, hogy a termék biztonsági eszközei nem hibásak-e. *	X		
Ellenőrizze a vágószerkezetet.	X		
Ellenőrizze a vágóburkolatot. *	X		
Ellenőrizze a motorfékfogantyút. *	X		
Ellenőrizze, nem sérült-e az akkumulátor.	X		
Ellenőrizze az akkumulátor töltöttségét.	X		
Ellenőrizze, hogy működnek-e az akkumulátor kioldógombjai, és megfelelően rögzül-e az akkumulátor a termékben.	X		
Ellenőrizze az akkumulátortöltő épségét; győződjön meg arról, hogy megfelelően működik-e.		X	
Ellenőrizze az akkumulátor és a termék közötti csatlakozásokat. Ellenőrizze az akkumulátor és az akkumulátortöltő közötti csatlakozásokat is.			X

Általános ellenőrzés

- Ellenőrizze, hogy az anyák és csavarok meg vannak-e szorítva a terméken.
- Ellenőrizze, hogy a termék kábelei úgy helyezkednek-e el, hogy ne tudjanak megsérülni.

A termék tisztítása

- A műanyag részeket tiszta, száraz törlőkendővel tisztítsa.
- A termék tisztításához ne használjon vizet. A víz az akkumulátorba vagy a motorba jutva azok rövidzárlatát vagy a termék károsodását okozhatja.

- Ne használjon nagynyomású mosót a termék tisztításához.
- Ne irányítsa a vízsugarat közvetlenül a motorra.
- Kefével távolítsa el a leveleket, a fűvet és az egyéb szennyeződések.

Az akkumulátor és az akkumulátortöltő tisztítása



FIGYELMEZTETÉS: Soha ne tisztítsa vízzel az akkumulátort vagy az akkumulátortöltőt.



FIGYELMEZTETÉS: Az akkumulátor tisztításához ne használjon vegyi anyagokat.

- Mielőtt az akkumulátort a töltőkészülékbe helyezné, győződjön meg róla, hogy az akkumulátor és az akkumulátortöltő tiszta és száraz-e.
- Az akkumulátorsaruk tisztítását sűrített levegővel vagy egy puha és száraz ruhával végezze.
- Az akkumulátor és a töltőkészülék felületének tisztítását puha és száraz ruhával végezze.

A fogantyúmagasság-állító kar körüli terület megtisztításához

- Kefével távolítsa el a leveleket, a fűvet és az egyéb szennyeződéseket. (ábra 32)

A vágószerkezet ellenőrzése



FIGYELMEZTETÉS: A véletlen beindítás elkerülése érdekében fordítsa a biztonsági kulcsot „0” állásba, vegye ki az akkumulátort, és várjon legalább 5 másodpercet.



FIGYELMEZTETÉS: A vágószerkezet karbantartásakor használjon védőkesztyűt. A kés nagyon éles, könnyen megvághatja magát.

1. Ellenőrizze a vágószerkezetet sérülés, repedés szempontjából. Mindig cserélje ki a sérült vágószerkezetet.
2. Nézze meg a kést, hogy sérült-e vagy tompa-e.

Megjegyzés: A kés élezését követően ki kell egyensúlyozni. Végeztesse a kés élezését, cseréjét és kiegyensúlyozását szervizközponttal. Ha olyan akadályba ütközött, amely megállította a terméket, cserélje ki a sérült kést. Vizsgálta meg

a szervizközpontban, hogy élezhető-e a kés, vagy pedig cserét igényel-e.

A kés cseréje

Lásd: Műszaki adatok198. oldalon a megfelelő késtípust illetően.



FIGYELMEZTETÉS: A kés cseréjekor rögzítse a kést egy fadarabbal, hogy elkerülje az ujjak sérülését. A kés elmozdulhat, ha a motor ki van kapcsolva, és az ujjak beszorulhatnak a kés és az álló alkatrészek közé.

1. Rögzítse a kést egy fadarabbal. (ábra 33)
2. Távolítsa el a késtartó csavart, a rugós alátétet és a kést. (ábra 34)
3. Ellenőrizze a késtámaszt és a késtartó csavart, hogy sérült-e.
4. Ellenőrizze a motor tengelyét, hogy nincs-e meghajolva.
5. Az új kés rögzítésekor a kés ferde vége a vágóburkolat felé nézzen. (ábra 35)
6. Győződjön meg róla, hogy a kés igazodik a motortengely középpontjához.
7. Rögzítse a kést egy fadarabbal. Helyezze fel a rugós alátétet, és húzza meg a csavart 23–28 Nm nyomatékkal. (ábra 36) (ábra 34)
8. Forgassa meg a kést kézzel, és figyelje, hogy szabadon forog-e.



FIGYELMEZTETÉS:

Használjon strapabíró kesztyűt. A kés nagyon éles, könnyen megvághatja magát.

9. Indítsa be a terméket, hogy tesztelje a kést. Ha a kés nincs megfelelően rögzítve, a termékben rezgés tapasztalható, vagy a vágási eredmény nem kielégítő.

Hibaelhárítás

Akkumulátor

LED az akkumulátoron	Ok	Megoldás
A zöld LED villog.	Az akkumulátor feszültsége alacsony.	Töltse fel az akkumulátort. Lásd: Az akkumulátor töltése192. oldalon.

LED az akkumulátoron	Ok	Megoldás
Villog a hibajelző LED.	Az akkumulátor töltöttségi szintje alacsony.	Töltse fel az akkumulátort. Lásd: Az akkumulátor töltése192. oldalon.
	A munkakörnyezet hőmérséklete túl magas vagy túl alacsony.	Az akkumulátort 5 °C és 40 °C közötti hőmérsékleten használja.
	Túlfeszültség.	Győződjön meg róla, hogy a hálózati feszültség megegyezik-e a termék adattábláján szereplő feszültségértékkal.
		Vegye ki az akkumulátort a töltőből. Várjon 5 másodpercet, majd próbálja újra feltölteni az akkumulátort. Ha a probléma továbbra is fennáll, lépjen kapcsolatba egy hivatalos szakszervizzel.
A hibajelző LED világít.	Túl nagy a cellák közötti különbség (1 V).	Forduljon egy hivatalos szakszervizhez.

Akkumulátortöltő

LED az akkumulátortöltőn	Ok	Megoldás
Villog a hibajelző LED.	A munkakörnyezet hőmérséklete túl magas vagy túl alacsony.	Az akkumulátortöltőt 5 °C és 40 °C közötti hőmérsékleten használja.
A hibajelző LED világít.		Forduljon egy hivatalos szakszervizhez.

Fűnyíró

A figyelmeztetésjelző (hibajelző LED) az akkumulátorfedél alatt található.

Probléma	Hibajelző LED (világítások száma)	Ok	Megoldás
Villog a hibajelző LED. A termék nem működik megfelelően.	5	A kés megszorult.	A véletlen beindítás megelőzéséhez mindig állítsa a biztonsági kulcsot „0” állásba. Távolítsa el az akkumulátort, és várjon legalább 5 másodpercet. Távolítsa el az esetleges akadályokat, és ellenőrizze, hogy a kés szabadon forog-e. Ha a probléma továbbra is fennáll, lépjen kapcsolatba egy hivatalos szakszervizzel.
		A motor fordulatszáma túlságosan lecsökken, majd a motor leáll.	Növelje a vágási magasságot. Lásd: A vágási magasság beállítása192. oldalon.
	10	A motorvezérlő túl forró.	Állítsa le a motort, és várjon, amíg lehűl.

Probléma	Hibajelző LED (villogások száma)	Ok	Megoldás
Villog a hibajelző LED. A termék leáll.	0	Akkumulátorcsatlakozó hiba.	Vizsgálja meg az akkumulátor csatlakozóját.
	3	A motor túlterhelése tapasztalható.	Növelje a vágási magasságot. Lásd: A vágási magasság beállítása 192. oldalon.
	8	Az akkumulátor töltöttségi szintje alacsony.	Töltse fel az akkumulátort. Lásd: Az akkumulátor töltése 192. oldalon.
	9	Akkumulátorhiba, vagy nincs jel az akkumulátortól.	Helyezze be megfelelően az akkumulátort, és ellenőrizze az akkumulátorcsatlakozót. Ha az akkumulátoron lévő hibajelző LED villog. Lásd: Akkumulátorállapot 192. oldalon.
	12	Nem megfelelő indítási folyamat. A motorfékfogantyút a motor beindítása előtt behúzza.	Engedje el a motorfékfogantyút, és várjon kb. 5 másodpercet. A termék elindításához húzza be újra a motorfékfogantyút.
Egyéb hibák.	Egyéb hibák esetén fordítsa a biztonsági kulcsot „0” állásba, vegye ki az akkumulátort, és forduljon egy hivatalos szervizműhelyhez.		

Szállítás, tárolás és ártalmatlanítás

Bevezetés



FIGYELMEZTETÉS: A szállítás és tárolás közbeni véletlen beindítás elkerülése érdekében fordítsa a biztonsági kulcsot „0” állásba, vegye ki az akkumulátort, és várjon legalább 5 másodpercet.

A termék szállítási helyzetbe állítása

1. Nyomja meg a magasságállító kart a lábával. (ábra 37)
2. Húzza fel a fogantyút, és húzza ki a magasságállító kart a horonyból.
3. Hajtsa előre a kart, amíg végállásba nem kerül. (ábra 38)
4. Hajtsa a magasságállító kart a vágóburkolat felé. (ábra 39)
5. Szorítsa meg a fogantyúgombokat. (ábra 40)
6. Hajtsa hátra a felső fogantyút. (ábra 41)

Szállítás

- A mellékelt lítium-ion akkumulátorokra a veszélyes anyagokra vonatkozó jogszabályok követelményei érvényesek.

- Kereskedelmi szállításnál be kell tartani a csomagoláson és címkéken szereplő speciális előírásokat.
- Ügyeljen rá, hogy betartsa a veszélyes anyagokra vonatkozó jogszabályokat a termék szállításra való előkészítésekor. Az esetleges helyi jogszabályokat is be kell tartani.
- Szállításhoz mindig vegye ki az akkumulátort.
- Tegyen ragasztószalagot az akkumulátor csatlakozóira, és gondoskodjon róla, hogy az akkumulátor ne mozdulhasson el a szállítás során.
- Szállításkor rögzítse a terméket.

Tárolás

- Tárolás előtt hagyja lehűlni a terméket.
- Tároláshoz mindig vegye ki az akkumulátort.
- A baleset megelőzése érdekében tároláskor az akkumulátor ne csatlakozzon a termékhez.
- Az akkumulátortöltőt zárt, száraz helyen tárolja.
- Az akkumulátort és az akkumulátortöltőt száraz helyen tárolja, ahol nem alakul ki nedvesség vagy fagy.
- A tárolás során csatlakoztassa le az akkumulátort az akkumulátortöltőtől.
- Ne tartsa az akkumulátort olyan helyen, ahol elektrosztatikus töltés lehet jelen. Ne tartsa az akkumulátort fém dobozban.

- A terméket olyan helyen tárolja, ahol a környezeti hőmérséklet $-10\text{ }^{\circ}\text{C}$ és $40\text{ }^{\circ}\text{C}$ között van.
- Olyan helyen tárolja az akkumulátort, ahol a környezeti hőmérséklet mindig $5\text{ }^{\circ}\text{C}$ és $25\text{ }^{\circ}\text{C}$ közé esik, és védve van a napfénytől.
- Olyan helyen tárolja az akkumulátortöltőt, ahol a környezeti hőmérséklet mindig $5\text{ }^{\circ}\text{C}$ és $45\text{ }^{\circ}\text{C}$ közé esik, és védve van a napfénytől.
- A hosszú ideig való tárolás előtt győződjön meg róla, hogy az akkumulátor legalább 30–50%-os töltöttségi.
- Tartsa a terméket, az akkumulátort és az akkumulátortöltőt gyermekektől és jogosulatlan személyektől elzárt területen.
- Tisztítsa meg a terméket, és győződjön meg arról, hogy a fűgyűjtő üres.
- Végezze el a jelen kezelői kézikönyvben megadott karbantartási eljárásokat. Lásd: Karbantartási terv194. oldalon.

- A termék hosszú ideig való tárolása előtt végezze el annak teljes karbantartását.

Hulladékként való kezelés

A terméken vagy a csomagolásán található szimbólum azt jelzi, hogy ezt a terméket nem szabad a háztartási hulladék közé helyezni. A megfelelő újrafeldolgozó pontra el kell juttatni az elektromos és elektronikus berendezések hasznosítása érdekében.

A termék megfelelő kezelésének biztosításával segíthet kiküszöbölni azokat a környezetre és az emberre gyakorolt potenciális negatív hatásokat, amelyeket a termék helytelen hulladékkezelése okozhat. A termék újrahasznosításával kapcsolatban az önkormányzat, a hulladékártalmatlanítási szolgáltatást végző vállalkozás, illetve a terméket értékesítő szakkereskedés nyújthat részletesebb tájékoztatást.

(ábra 42)

Műszaki adatok

	LB 144i
Nyírómotor	
Motor típus	BLDC (kefe nélküli) 36 V
Motor fordulatszáma – SavE, ford./perc	2600/min
Motor fordulatszáma – névleges, ford./perc	3200/min
Motor fordulatszáma – nagy terhelés, ford./perc	3500/perc
Motor teljesítménye – max. kW	0,9
Motor teljesítménye – névleges, kW	0,75
Hajtómotor	
Motor teljesítménye – névleges, kW	n.a.
Önjárás sebessége, km/h	n.a.
Sebességfokozatok száma	n.a.
Tömeg	
Tömeg (akkumulátor nélkül), kg	15,5
Tömeg (1 db BLi30 akkumulátorral), kg	17,5
Akkumulátor	
Akkumulátor típusa	Husqvarna akkumulátorsorozat
Akkumulátor üzemideje	
Akkumulátor üzemidő, min., (üresjárat) SavE funkcióval, egy 7,5 Ah-s Husqvarna (BLi30) akkumulátorral.	170
Akkumulátor üzemidő, min., (üresjárat) normál üzemmódban, egy 7,5 Ah-s Husqvarna (BLi30) akkumulátorral.	135

	LB 144i
Zajkibocsátás ³⁴	
Hangteljesítményszint, mért dB (A) érték	90
Hangteljesítményszint, garantált, L _{WA} dB (A)	92
Zajszintek ³⁵	
Hangnyomásszint a felhasználó fülénél, dB (A)	77
Rezgésszintek ³⁶	
Fogantyú, m/s ²	0,7
Vágófelszerelés	
Vágási magasság, mm	25-75
Vágási szélesség, cm	44
Standard kés	Mulch 5298073-10
Tartozék kés	n.a.

Jóváhagyott akkumulátorok	Típus	Akkumulátor kapacitása, Ah	Feszültség, V	Tömeg, font/kg
40-B140	Lítium-ion	4,0	36	2,6/1,2
BLi30	Lítium-ion	7,5	36	4,2/1,9

A megadott akkumulátorokhoz jóváhagyott töltők, BLi	Bemeneti feszültség, V	Frekvencia, Hz	Teljesítmény, W
40-C80	100-240	50-60	68,8
QC250	220-240	50	250

³⁴ A környezetben a 2000/14/EK sz. EK irányelvvel összhangban hangteljesítményként mért zajkibocsátás (L_{WA}).

³⁵ A hangnyomásszintre vonatkozó jelentési adatok bizonytalansági tényezője (K) 1,5 dB (A).

³⁶ A rezgésszintre vonatkozó jelentési adatok bizonytalansági tényezője (K) 1,5 m/s². A teljes rezgés deklarált értékének mérése az EN 62841-4-3 szabvány I. mellékletével összhangban történt, és felhasználható az egyes gépek összehasonlítására, valamint a kitétség előzetes értékelésére.

Megfelelőségi nyilatkozat

EU megfelelési nyilatkozat

A Husqvarna AB, SE-561 82 Huskvarna, Sweden (tel.: +46-36-146500), a saját felelősségére kijelenti, hogy a termék:

Leírás	Fűnyíró
Márka	Husqvarna
Típus/modell	LB 144i
Megjelölés	2022-as és újabb sorozatszámok

teljes mértékben megfelelnek a következő EU-irányelveknek és szabályozásoknak:

Szabályozás	Leírás
2006/42/EK	„gépre vonatkozó”
2014/30/EU	„elektromágneses megfelelésre vonatkozó”
2000/14/EK	„környezeti zajkibocsátásra vonatkozó”
2011/65/EU	„az egyes veszélyes anyagok elektromos és elektronikus berendezésekben való alkalmazásának korlátozására vonatkozó”

valamint hogy az alábbi szabványok és/vagy műszaki előírások kerültek alkalmazásra: EN 62841-1:2015/AC:2015, EN IEC 62841-4-3:2021/A11:2021, EN ISO 12100:2010, EN 55014-1:2021, EN 55014-2:2021, EN IEC 61000-6-2:2019, EN IEC 61000-6-3:2021, EN IEC 63000:2018

Bejelentett tanúsítási szervezet: A(z) 0404, RISE SMP Svensk Maskinprovning AB, Box 4053, SE-904 03 Umeå, Sweden igazolja a Bizottság 2000/14/EK jelű irányelve VI., megfeleléséértékelési eljárás című függelékének való megfelelést.

A zajkibocsátásra vonatkozó tájékoztatást illetően tekintse át a következőt: Műszaki adatok198. oldalon.

Huskvarna, 2022-12-05



Claes Losdal, Fejlesztési Igazgató/Kertművelési termékek, Husqvarna AB

A műszaki dokumentációk felelőse



Sommario

Introduzione.....	201	Ricerca guasti	211
Sicurezza	202	Trasporto, stoccaggio e smaltimento	213
Montaggio.....	207	Dati tecnici	214
Utilizzo	207	Dichiarazione di conformità	216
Manutenzione.....	210		

Introduzione

Descrizione del prodotto

Il prodotto è un tagliaerba rotativo con operatore a piedi che utilizza BioClip per tagliare l'erba da utilizzare come fertilizzante.

Panoramica del prodotto

(Fig. 1)

1. Impugnatura / manubrio
2. Leva del freno motore
3. Inibitore di avviamento
4. Maniglia di sollevamento
5. Piatto di taglio
6. Leva altezza di taglio
7. Chiave di sicurezza
8. Coperchio della batteria
9. Barra di regolazione dell'altezza per il manubrio
10. Pulsante Save
11. Spia (LED di errore)
12. Manuale dell'operatore
13. Caricabatterie (accessorio)
14. Batteria (accessorio)

Simboli riportati sul prodotto

(Fig. 2) AVVERTENZA

(Fig. 3) Leggere le istruzioni.

(Fig. 4) AVVERTENZA - Prestare attenzione agli oggetti lanciati.

(Fig. 5) Tenere lontano persone e animali dalla zona di lavoro.

(Fig. 6) AVVERTENZA - Tenere mani e piedi lontani dalle lame.

(Fig. 7) AVVERTENZA - Scollegare la batteria prima di eseguire la manutenzione.

(Fig. 8) Il prodotto o l'imballaggio del prodotto non è un rifiuto domestico. Riciclarlo in una

Uso previsto

Utilizzare il prodotto per tagliare l'erba. Non utilizzare il prodotto per altre attività.

stazione di riciclaggio per apparecchiature elettriche ed elettroniche.

(Fig. 9) Emissioni di rumore nell'ambiente in conformità alle direttive e alle norme UE e UK e alla norma del Nuovo Galles del Sud in materia di protezione dell'ambiente "Protection of the Environment Operations (Noise Control) Regulation 2017". Il livello di potenza sonora garantito del prodotto è specificato in Dati tecnici alla pagina 214 nonché sull'etichetta.

(Fig. 10) Il presente accessorio è conforme alle vigenti direttive CE.

(Fig. 11) Questo prodotto è conforme alle direttive del Regno Unito vigenti.

(Fig. 12) Il prodotto è protetto da gocciolamento.

(Fig. 13) Rilasciare l'impugnatura del freno motore per arrestarlo.

(Fig. 14) Codice scansionabile.

Nota: I restanti simboli/decalcomanie sul prodotto riguardano particolari requisiti necessari per ottenere la certificazione in alcuni mercati.

Responsabilità del prodotto

Come indicato nelle leggi vigenti in materia di responsabilità obbligatoria sul prodotto, non siamo responsabili per eventuali danni causati dal nostro prodotto se:

- Il prodotto viene riparato in modo errato.
- Il prodotto viene riparato con parti che non provengono o non sono omologate dal produttore.

- Il prodotto contiene un accessorio che non proviene o non è omologato dal produttore.

- Il prodotto non viene riparato presso un centro di assistenza autorizzato o presso un'autorità competente.

Sicurezza

Definizioni di sicurezza

Le avvertenze, le precauzioni e le note sono utilizzate per evidenziare le parti importanti del manuale.



AVVERTENZA: Utilizzato se è presente un rischio di lesioni o morte dell'operatore o di passanti nel caso in cui le istruzioni del manuale non vengano rispettate.



ATTENZIONE: Utilizzato se è presente un rischio di danni al prodotto, ad altri materiali oppure alla zona adiacente nel caso in cui le istruzioni del manuale non vengano rispettate.

Nota: Utilizzato per fornire ulteriori informazioni necessarie in una determinata situazione.

Avvertenze generali di sicurezza sul prodotto



AVVERTENZA: Leggere tutte le specifiche, illustrazioni, istruzioni e avvertenze di sicurezza fornite con questo prodotto. La mancata osservanza di tutte le istruzioni elencate di seguito può dare luogo a scosse elettriche, incendi e/o gravi lesioni.

Conservare tutte le avvertenze e le istruzioni per la futura consultazione. Nelle avvertenze, il termine "prodotto" si riferisce al prodotto alimentato tramite rete elettrica (con cavo) o a batteria (senza fili).

Sicurezza dell'area di lavoro

- Tenere l'area di lavoro pulita e ben illuminata. Il disordine e le aree di lavoro non illuminate possono essere causa di incidenti.
- Non mettere in funzione il prodotto in ambienti esplosivi, quali quelli che comportano la presenza di liquidi infiammabili, gas o polvere. Il prodotto genera scintille che possono incendiare polveri o fumi.
- Evitare che bambini e altre persone si avvicinino mentre il prodotto è in funzione. Le distrazioni possono causare la perdita del controllo.

Sicurezza elettrica

- Le spine del prodotto devono essere adatte alla presa. Evitare assolutamente di apportare modifiche alla spina. Non utilizzare adattatori con prodotti

dotati di messa a terra. Le spine non modificate e le prese adatte allo scopo riducono il rischio di scosse elettriche.

- Evitare il contatto con superfici messe a massa o collegate a terra, come condutture, radiatori, stufe e frigoriferi. Sussiste un maggior rischio di scosse elettriche nel momento in cui il corpo è messo a massa.
- Non esporre i prodotti a pioggia o umidità. L'ingresso di acqua nel prodotto aumenta il rischio di scosse elettriche.
- Non rovinare il cavo elettrico. Non utilizzare mai il cavo per trasportare, tirare o staccare dalla presa il prodotto. Non avvicinare il cavo a fonti di calore, olio, spigoli taglienti e neppure a parti della macchina che siano in movimento. I cavi danneggiati o attorcigliati fanno aumentare il rischio di scosse elettriche.
- Qualora si utilizzi il prodotto all'aperto, servirsi di un cavo di prolunga adatto. L'uso di un filo di prolunga omologato per l'impiego all'aperto riduce il rischio di scosse elettriche.
- Se l'impiego del prodotto in ambienti umidi è inevitabile, utilizzare una fonte di alimentazione con interruttore differenziale (salvavita). L'utilizzo del salvavita riduce il rischio di scosse elettriche.

Sicurezza personale

- Durante l'utilizzo del prodotto, prestare attenzione e utilizzare il buonsenso. Non utilizzare un prodotto quando si è stanchi o sotto l'effetto di droghe, alcol o farmaci. Un momento di disattenzione può provocare lesioni personali gravi.
- Usare sempre abbigliamento protettivo personale. Indossare sempre una protezione per gli occhi. L'uso in condizioni adeguate dell'abbigliamento protettivo (come mascherina protettiva, calzature di sicurezza antiscivolo, elmetto o cuffie protettive) riduce le lesioni personali.
- Prevenire la messa in funzione accidentale. Assicurarsi che l'interruttore sia in posizione OFF prima di effettuare il collegamento alla fonte di alimentazione e/o al pacco batterie, o di sollevare o trasportare il prodotto. Trasportare il prodotto tenendo le dita sull'interruttore oppure accendere prodotti con l'interruttore acceso, può provocare incidenti.
- Rimuovere eventuali chiavi o strumenti di regolazione prima di accendere il prodotto. Una chiave o altro attrezzo rimasto attaccato a parti rotanti del prodotto può provocare lesioni personali.
- Operare in sicurezza. Operare sempre facendo attenzione a posizionare bene i piedi e a mantenere l'equilibrio. In questo modo è possibile ottenere

un migliore controllo del prodotto in situazioni impreviste.

- **Vestirsi in maniera adeguata. Non indossare abiti troppo ampi o gioielli. Tenere capelli e indumenti lontani dalle parti in movimento.** Lasciati liberi, indumenti, gioielli o capelli lunghi possono restare impigliati nelle parti in movimento.
- **Qualora vengano forniti strumenti per il collegamento a strutture di estrazione e raccolta della polvere, accertarsi che queste siano collegate e usate in modo adeguato.** La raccolta della polvere può ridurre i rischi legati alla presenza di questo agente.
- **La familiarità e l'esperienza acquisite a seguito dell'uso frequente del prodotto non devono essere motivo di distrazione nell'utilizzo dello stesso. Non ignorare i principi di sicurezza del prodotto.** Un'azione incauta può provocare gravi danni in una frazione di secondo.

Cura e utilizzo del prodotto

- **Non esercitare forza sul prodotto. Utilizzare il prodotto adatto all'applicazione.** Il prodotto corretto svolgerà il lavoro al meglio e in modo più sicuro se utilizzato alla velocità per la quale è stato progettato.
- **Non utilizzare il prodotto se non è possibile accenderlo o spegnerlo tramite interruttore.** Nel caso in cui il prodotto non possa essere controllato tramite interruttore è una situazione di pericolo e, pertanto, è necessario ripararlo.
- **Scollegare la spina dalla fonte di alimentazione e/o rimuovere dal prodotto il pacco batterie, se staccabile, prima di procedere a eventuali regolazioni, sostituzioni di accessori o alla conservazione dei prodotti.** Tali misure di sicurezza preventive riducono il rischio di avvio accidentale del prodotto.
- **Riporre i prodotti quando spenti fuori dalla portata dei bambini e non consentirne l'utilizzo a persone che non hanno familiarità con tali prodotti e con queste istruzioni.** Se utilizzati da persone non preparate, tali prodotti sono pericolosi.
- **Effettuare la manutenzione del prodotto e degli accessori.** Verificare l'eventuale presenza di un allineamento non corretto o inceppamento delle parti in movimento, la rottura di pezzi o altra condizione che possa compromettere il funzionamento del prodotto. Qualora danneggiato, riparare il prodotto prima dell'uso. Numerosi incidenti sono provocati da prodotti sottoposti a manutenzione inadeguata.
- **Mantenere affilati e puliti gli strumenti da taglio.** Con una manutenzione adeguata, gli strumenti da taglio con bordi affilati risultano più facili da controllare e meno pericolosi.
- **Utilizzare il prodotto, gli accessori, le punte ecc. come indicato nelle presenti istruzioni, tenendo conto delle condizioni di lavoro e della prestazione da effettuare.** L'utilizzo del prodotto per usi diversi da quelli previsti può provocare situazioni di pericolo.
- **Mantenere le impugnature e le superfici di presa asciutte, pulite e prive di olio e grasso.** Le

impugnature e le superfici di presa scivolose non consentono una manipolazione e un controllo sicuri del prodotto in situazioni impreviste.

Utilizzo e manutenzione della batteria

- **Ricaricare l'attrezzo esclusivamente utilizzando il caricabatterie specificato dal produttore.** L'utilizzo di un caricabatterie indicato per un altro tipo di batteria potrebbe provocare rischio di incendio.
- **Utilizzare i prodotti esclusivamente con le batterie specificate.** L'utilizzo di altri pacchi batteria potrebbe provocare lesioni e incendi.
- **Se la batteria non viene utilizzata, tenerla lontana da altri oggetti metallici, come graffette, monete, chiavi, chiodi, viti o altri piccoli oggetti metallici che potrebbero consentire il collegamento tra i terminali.** Provocare il cortocircuito dei terminali della batteria potrebbe causare ustioni o provocare un incendio.
- **In condizioni non ottimali, la batteria potrebbe perdere liquido; evitare il contatto.** Qualora il contatto avvenisse, sciacquare la parte con acqua. Se il liquido entra negli occhi, chiamare immediatamente un medico. Il liquido fuoriuscito dalla batteria potrebbe causare irritazioni o ustioni.
- **Non usare batterie o utensili danneggiati o modificati.** Batterie danneggiate o modificate possono manifestare un comportamento imprevedibile, con rischio di incendi, esplosioni e lesioni.
- **Non esporre batterie o utensili al fuoco o a temperature elevate.** L'esposizione al fuoco o una temperatura superiore a 130 °C (265°F) può provocare esplosioni.
- **Seguire tutte le istruzioni per il caricamento della batteria e non caricare la batteria o l'utensile al di fuori dell'intervallo di temperatura indicato nelle istruzioni.** Ricaricare in modo inappropriato o a temperature che non rientrano nell'intervallo specificato può danneggiare la batteria e aumentare il rischio di incendio.

Servizio

- **Fare riparare il prodotto da personale specializzato utilizzando esclusivamente pezzi di ricambio originali.** Ciò consente di mantenere il prodotto in perfette condizioni di sicurezza.
- **Non riparare mai le batterie danneggiate.** Gli interventi di manutenzione sul pacco batterie devono essere eseguiti esclusivamente dal produttore o da centri assistenza autorizzati.

Avvertenze per la sicurezza del tagliaerba

- **Non utilizzare il tagliaerba in condizioni climatiche sfavorevoli, specialmente se vi è rischio di fulmini.** Ciò riduce il rischio di essere colpiti da un fulmine.
- **Ispezionare attentamente l'area in cui deve essere utilizzato il tagliaerba per verificare l'eventuale presenza di fauna selvatica.** Durante l'utilizzo, il tagliaerba può provocare lesioni alla fauna selvatica.

- **Controllare attentamente l'area in cui deve essere utilizzato il tagliaerba e rimuovere tutti i sassi, bastoncini, cavi, ossa e qualsiasi altro oggetto estraneo presente.** Gli oggetti che vengono scagliati possono provocare lesioni personali.
- **Prima di utilizzare il tagliaerba, controllare sempre che la lama e il gruppo lama non siano danneggiati o usurati.** Le parti danneggiate o usurate aumentano il rischio di lesioni.
- **Controllare frequentemente la presenza di usura e danni sul raccoglierba.** Un raccoglierba usurato o danneggiato può aumentare il rischio di lesioni personali.
- **Mantenere le protezioni in posizione. Le protezioni devono essere in buone condizioni e montate correttamente.** Una protezione allentata, danneggiata o non correttamente funzionante può provocare lesioni personali.
- **Tenere i detriti lontani dalle prese d'aria di raffreddamento.** L'ostruzione delle prese d'aria e la presenza di detriti possono provocare surriscaldamento o rischio di incendio.
- **Durante l'utilizzo del tagliaerba, indossare sempre calzature antiscivolo e protettive. Non utilizzare il tagliaerba a piedi nudi o indossando sandali aperti.** Così facendo si riduce il rischio di lesioni ai piedi dovute al contatto con la lama in movimento.
- **Durante l'uso del tagliaerba, indossare sempre pantaloni lunghi.** La pelle esposta aumenta la probabilità di lesioni causate da oggetti proiettati.
- **Non utilizzare il tagliaerba sull'erba bagnata. Procedere adagio, non correre.** Così facendo si riduce il rischio di scivolamento e caduta con conseguenti lesioni personali.
- **Non utilizzare il tagliaerba su pendenze eccessive.** Così facendo si riduce il rischio di perdita di controllo, scivolamento e caduta con conseguenti lesioni personali.
- **Quando si lavora su pendenze, assicurarsi sempre di avere una posizione stabile, lavorare sempre trasversalmente lungo le pendenze, mai guardando a monte o a valle e prestare la massima attenzione quando durante i cambi di direzione.** Così facendo si riduce il rischio di perdita di controllo, scivolamento e caduta con conseguenti lesioni personali.
- **Prestare la massima attenzione durante la retromarcia o quando si tira il tagliaerba verso di sé. Prestare sempre attenzione all'ambiente circostante.** In questo modo si riduce il rischio di inciampare durante il funzionamento.
- **Non toccare le lame e altre parti in movimento pericolose mentre sono ancora in movimento.** In questo modo si riduce il rischio di lesioni dovute alle parti in movimento.
- **Durante la rimozione del materiale inceppato o la pulizia del tagliaerba, assicurarsi che tutti gli interruttori di corrente siano spenti e che il cavo di alimentazione sia scollegato.** L'azionamento improvviso del tagliaerba può causare gravi lesioni personali.

Interruttore differenziale

- Utilizzare un interruttore differenziale con una corrente di intervento massima di 30 mA.

Istruzioni di sicurezza generali



AVVERTENZA: Leggere le seguenti avvertenze prima di utilizzare il prodotto.

- Questo prodotto è pericoloso se utilizzato in maniera impropria o se non si presta attenzione. La mancata osservanza delle istruzioni di sicurezza può causare lesioni anche fatali.
- Durante il funzionamento, questo prodotto genera un campo elettromagnetico. Tale campo può interferire, in alcuni casi, con persone portatrici di impianti medici attivi o passivi. Per ridurre il rischio di condizioni che possono implicare lesioni gravi o mortali, i portatori di tali impianti devono consultare il proprio medico e il produttore dell'impianto prima di utilizzare questo prodotto.
- Usare la massima cautela e il buon senso. Se non si è sicuri di come utilizzare il prodotto in una particolare situazione, fermarsi e rivolgersi al proprio rivenditore Husqvarna prima di continuare.
- Tenere presente che l'operatore potrà essere ritenuto responsabile di eventuali incidenti che coinvolgano altre persone o i loro beni.
- Tenere pulito il prodotto. Assicurarsi che sia possibile leggere chiaramente simboli e decalcomanie.
- Non consentire mai l'uso dell'apparecchio a bambini o persone che non conoscono le presenti istruzioni. Alcune normative locali possono limitare l'età dell'operatore.
- Controllare sempre qualsiasi persona, dalle capacità fisiche o mentali ridotte, che utilizzi il prodotto. È necessaria sempre la supervisione di un adulto responsabile.
- Non utilizzare il prodotto quando si è stanchi, ammalati o sotto effetto di alcool, farmaci o medicinali. Essi potrebbero compromettere la vista, l'attenzione, il coordinamento e il giudizio.
- Se difettoso, non utilizzare il prodotto.
- Non modificare il prodotto né utilizzarlo nel caso in cui vi sia la possibilità che sia stato modificato da altri.

Sicurezza sul lavoro



AVVERTENZA: Leggere le seguenti avvertenze prima di utilizzare il prodotto.

- Utilizzare il prodotto esclusivamente per tagliare il prato. Non è consentito utilizzare il prodotto per altri scopi.

- Usare sempre abbigliamento protettivo personale. Fare riferimento a Dispositivi di protezione individuale alla pagina 205.
- Assicurarsi di saper spegnere il motore rapidamente in caso di emergenza.
- Non utilizzare il prodotto con pioggia o umidità. Il rischio di scosse elettriche aumenta se l'acqua penetra nel prodotto.
- Non azionare il prodotto senza prima aver montato correttamente la lama e tutti i coperchi. Una lama non correttamente fissata potrebbe allentarsi e causare lesioni personali.
- Assicurarsi che la lama non urti oggetti quali pietre e radici. Ciò potrebbe provocare danni alla lama e piegare l'albero motore. Un asse piegato provoca forti vibrazioni e un alto rischio di allentamento della lama.

Istruzioni di sicurezza per il funzionamento

Dispositivi di protezione individuale



AVVERTENZA: Leggere le seguenti avvertenze prima di utilizzare il prodotto.

- Qualora la lama urti contro un oggetto o all'insorgere di vibrazioni arrestare immediatamente il prodotto. Arrestare il motore, ruotare la chiave di sicurezza su 0 e rimuovere la batteria. Attendere l'arresto delle parti mobili. Verificare la presenza di eventuali danni al prodotto. Serrare le parti allentate. Riparare e sostituire le parti danneggiate. Affidare la riparazione a una officina autorizzata.
- Non fissare l'impugnatura del freno motore in modo permanente al manubrio quando il motore è avviato.
- Posizionare il prodotto su una superficie piana e stabile e avviarlo. Assicurarsi che la lama non venga a contatto con il terreno o con altri oggetti.
- Collocarsi sempre posteriormente al prodotto quando lo si utilizza.
- Consentire a tutte le ruote di restare a contatto con il suolo e tenere le 2 mani sull'impugnatura mentre si aziona il prodotto. Tenere mani e piedi lontani dalle lame rotanti.
- Non inclinare il prodotto quando si avvia il motore o durante il funzionamento del prodotto.
- Prestare attenzione quando si tira il prodotto verso di sé.
- Non sollevare mai il prodotto a motore avviato. Se è necessario sollevare il prodotto, arrestare prima di tutto il motore, poi ruotare la chiave di sicurezza su 0 e rimuovere la batteria.
- Non camminare all'indietro quando si utilizza il prodotto.
- Arrestare il motore quando è necessario inclinare il prodotto per il trasporto o prima di spostarsi su aree senza erba, ad esempio percorsi di ghiaia, pietra e asfalto.
- Non correre con il prodotto quando il motore è acceso. Camminare sempre durante l'utilizzo del prodotto.
- Arrestare il motore prima di apportare qualsiasi modifica all'altezza di taglio. Non effettuare mai regolazioni quando il motore è acceso.
- Non perdere mai di vista il prodotto quando il motore è acceso. Arrestare il motore e assicurarsi che l'attrezzatura di taglio non giri.

- L'uso di abbigliamento protettivo personale non elimina il rischio di lesioni, ma ne riduce la gravità in caso di incidente. Farsi consigliare dal rivenditore per la scelta dell'attrezzatura adatta.
- Utilizzare robusti stivali o scarpe antiscivolo. Non utilizzare il prodotto con calzature aperte o a piedi nudi.
- Utilizzare pantaloni lunghi di tessuto pesante.
- Indossare guanti protettivi ove necessario, ad esempio per montare, ispezionare o pulire l'attrezzatura di taglio.
- Si consiglia di utilizzare cuffie protettive.

Dispositivi di sicurezza sul prodotto



AVVERTENZA: Leggere le seguenti avvertenze prima di utilizzare il prodotto.

- Non utilizzare un prodotto con dispositivi di sicurezza difettosi.
- Non rimuovere o apportare modifiche ai dispositivi di sicurezza.
- Effettuare regolarmente un controllo dei dispositivi di sicurezza. Se i dispositivi di sicurezza sono difettosi, rivolgersi alla propria officina Husqvarna.

Controllo del coperchio di taglio

Il coperchio di taglio riduce le vibrazioni del prodotto e il rischio di ferirsi con la lama.

- Esaminare il coperchio di taglio per accertarsi che non presenti danni quali crepe.

Controllo della chiave di sicurezza

La chiave di sicurezza si trova sotto il coperchio della batteria. La chiave di sicurezza si collega alla batteria che alimenta il motore.

- Avviare e arrestare il motore per effettuare un controllo della chiave di sicurezza.

- Se la chiave di sicurezza funziona correttamente, il motore può avviarsi solo quando la chiave di sicurezza è in posizione 1. (Fig. 15)

Effettuare un controllo dell'impugnatura del freno motore

L'impugnatura del freno motore arresta il motore. Quando si rilascia l'impugnatura del freno motore, il motore si arresta.

- Avviare il prodotto. Fare riferimento a Avviamento del prodotto alla pagina 209.
- Rilasciare l'impugnatura del freno motore. (Fig. 16)
- Accertarsi che il prodotto si arresti. Se il motore non si arresta entro 3 secondi, far regolare il freno motore presso un'officina Husqvarna autorizzata.

Effettuare un controllo dell'inibitore di avviamento

Effettuare un controllo dell'inibitore di avviamento per accertarsi che impedisca il funzionamento del motore.

1. Spingere l'impugnatura del freno motore in direzione del manubrio. L'inibitore di avviamento arresta il movimento.
2. Tirare fuori l'inibitore di avviamento. (Fig. 17)
3. Rilasciare l'inibitore di avviamento e accertarsi che ritorni nella sua posizione iniziale.

Sicurezza batterie



AVVERTENZA: Leggere le seguenti avvertenze prima di utilizzare il prodotto.

- Utilizzare le batterie ricaricabili Husqvarna come alimentazione per i soli prodotti Husqvarna in questione. Per evitare il rischio di lesioni, non utilizzare la batteria come fonte di alimentazione per altri dispositivi.
- Non utilizzare batterie non ricaricabili.
- Rischio di scosse elettriche. Non collegare i morsetti della batteria a chiavi, monete, viti o altro tipo di metallo. Ciò può causare un corto circuito della batteria.
- Non inserire oggetti nelle feritoie di aerazione della batteria.
- Tenere la batteria lontano dalla luce del sole, dal calore o da fiamme libere. La batteria può esplodere e causare bruciature e/o ustioni chimiche.
- Tenere la batteria lontano da pioggia e umidità.
- Tenere la batteria lontano da microonde e alta pressione.
- Non tentare di smontare o rompere la batteria.
- In caso di perdite dalla batteria, non lasciare che il liquido entri in contatto con il corpo o con gli occhi. In caso di contatto con il liquido, pulire l'area con grandi quantità di acqua e consultare un medico.

- Utilizzare la batteria nel prodotto esclusivamente quando la temperatura ambiente è compresa tra 5 °C e 40 °C.
- Utilizzare il caricabatterie esclusivamente quando la temperatura ambiente è compresa tra 5 °C e 40 °C.
- La batteria non si carica se la sua temperatura è superiore a 50 °C.
- Non pulire la batteria o il caricabatterie con acqua. Fare riferimento a Per pulire la batteria e il caricabatterie alla pagina 211.
- Non utilizzare una batteria difettosa o danneggiata.
- Conservare le batterie lontano da oggetti metallici, come ad esempio chiodi, monete, gioielli.

Sicurezza del caricabatterie



AVVERTENZA: Leggere le seguenti avvertenze prima di utilizzare il prodotto.

- Utilizzare i caricabatterie QC per caricare esclusivamente le batterie di ricambio Husqvarna.
- Rischio di scosse elettriche o cortocircuiti. Non inserire oggetti nelle feritoie di aerazione del caricabatterie. Non tentare di smontare il caricabatterie. Non collegare i terminali del caricabatterie a oggetti metallici. Utilizzare una presa di rete omologata.
- Durante il funzionamento, questo prodotto genera un campo elettromagnetico. Tale campo può interferire, in alcuni casi, con persone portatrici di impianti medici attivi o passivi. Per ridurre il rischio di condizioni che possono implicare lesioni personali gravi o mortali, i portatori di tali impianti devono consultare il proprio medico e il produttore dell'impianto prima di utilizzare questo prodotto.
- Verificare regolarmente che il cavo di alimentazione del caricabatterie non sia danneggiato e che non vi siano crepe.
- Non sollevare il caricabatterie tramite il cavo di alimentazione. Per scollegare il caricabatterie da una presa di rete, tirare la spina. Non tirare il cavo di alimentazione.
- Tenere il cavo di alimentazione e le prolunghe lontani da acqua, olio e bordi appuntiti. Fare attenzione affinché il cavo non si incasti in porte, ostacoli o simili. Questo potrebbe causare scosse elettriche al contatto con il caricabatterie.
- Non pulire il caricabatterie con acqua.
- Il caricabatterie può essere utilizzato da bambini a partire da 8 anni di età e da parte di persone con ridotte capacità fisiche, sensoriali o mentali, oppure con mancanza di esperienza e conoscenza, se vengono controllati o ricevono istruzioni sull'utilizzo sicuro del caricabatterie e se comprendono i rischi. I bambini non devono giocare con il caricabatterie. La pulizia e la manutenzione non devono essere eseguite da bambini senza la supervisione di adulti.
- Non caricare batterie non ricaricabili nel caricabatterie.

- Non utilizzare il caricabatterie in prossimità di materiali infiammabili o materiali corrosivi. Non coprire il caricabatterie. Staccare la spina del caricabatterie in caso di fumo o incendio.
- Non utilizzare un caricabatterie difettoso o danneggiato.
- Caricare la batteria solo in luoghi chiusi, in una stanza con un buon flusso d'aria e lontano dalla luce del sole. Non caricare la batteria in condizioni di umidità.

Istruzioni di sicurezza per la manutenzione



AVVERTENZA: Leggere le seguenti avvertenze prima di utilizzare il prodotto.

- Per evitare l'avviamento accidentale durante la manutenzione, ruotare la chiave di sicurezza su 0 e rimuovere la batteria. Attendere almeno 5 secondi prima di iniziare la manutenzione.
- Eseguire esclusivamente gli interventi di manutenzione riportati nel presente manuale operatore. Per operazioni più complesse e riparazioni professionali, rivolgersi a una officina

autorizzata. Per ulteriori informazioni, rivolgersi all'officina più vicina.

- Eseguire gli interventi di manutenzione correttamente in modo da aumentare la durata di vita del prodotto e ridurre il rischio di incidenti.
- Sostituire le parti danneggiate, usurate o rotte. Utilizzare sempre parti di ricambio originali raccomandati dal produttore. Altri pezzi di ricambio possono danneggiare il prodotto e aumentare il rischio di incidenti.
- Per evitare lesioni, non rimuovere o apportare modifiche ai dispositivi di sicurezza.
- Indossare guanti per lavori pesanti quando si utilizza l'attrezzatura di taglio. La lama è molto affilata e ci si può ferire facilmente.
- Mantenere i bordi taglienti affilati e puliti per prestazioni più sicure e ottimali
- Far esaminare regolarmente il prodotto da un'officina per messe a punto e riparazioni necessarie.
- Rispettare le istruzioni per la sostituzione degli accessori. Utilizzare solo accessori del produttore.
- Quando non in uso, tenere il prodotto, la batteria e il caricabatterie lontano in un luogo all'interno, chiuso a chiave e asciutto. Assicurarsi che i bambini e le persone non autorizzate non abbiano accesso al prodotto, alla batteria o al caricabatterie.

Montaggio

Introduzione



AVVERTENZA: Prima di montare il prodotto, leggere il capitolo sulla sicurezza.



AVVERTENZA: Per evitare l'avviamento accidentale durante il montaggio, ruotare la chiave di sicurezza su 0, rimuovere la batteria e attendere almeno 5 secondi.

Montaggio dell'impugnatura

1. Ripiegare la maniglia superiore in avanti.

2. Serrare le manopole dell'impugnatura. (Fig. 18)
3. Tirare l'impugnatura all'indietro fino a quando non si trova nella posizione finale.
4. Piegate verso il basso la barra di regolazione dell'altezza e inserirla nella scanalatura. (Fig. 19)
5. Premere in basso la barra di regolazione dell'altezza con il piede. (Fig. 20)

Regolazione dell'altezza dell'impugnatura

1. Premere la barra di regolazione dell'altezza con il piede.
2. Portare il manubrio nella posizione corretta e rilasciarlo. (Fig. 21)

Utilizzo

Introduzione



AVVERTENZA: Prima di utilizzare il prodotto, è necessario leggere e comprendere il capitolo relativo alla sicurezza.

Husqvarna Connect

Husqvarna Connect è un'app gratuita per i dispositivi mobili. L'app Husqvarna Connect fornisce funzioni estese per il prodotto Husqvarna:

- Informazioni aggiuntive sul prodotto.
- Dettagli, guida, parti del prodotto e manutenzione.

Primo utilizzo Husqvarna Connect

1. Scaricare l'app Husqvarna Connect sul proprio dispositivo mobile.
2. Registrarsi nell'app Husqvarna Connect.
3. Attenersi alle istruzioni dell'app Husqvarna Connect per collegare e registrare il prodotto.

Per fissare il prodotto in posizione di funzionamento

1. Montaggio dell'impugnatura. Fare riferimento a Montaggio dell'impugnatura alla pagina 207.
2. Regolare l'altezza dell'impugnatura. Fare riferimento a Regolazione dell'altezza dell'impugnatura alla pagina 207.



ATTENZIONE: Assicurarsi che non vi sia troppa tensione nei cavi. Una tensione eccessiva può causare danni al cavo se l'impugnatura è piegata in posizione di trasporto.



AVVERTENZA: Non azionare il prodotto a meno che l'impugnatura non sia completamente ripiegata e impostata in una delle posizioni di altezza applicabili. Fare riferimento a Regolazione dell'altezza dell'impugnatura alla pagina 207.

Impostazione dell'altezza di taglio

L'altezza di taglio può essere regolata su 6 diverse posizioni.

1. Spegnerne il motore.
2. Per aumentare l'altezza di taglio, spingere la leva dell'altezza di taglio all'indietro. (Fig. 22)
3. Per diminuire l'altezza di taglio, spingere la leva dell'altezza di taglio in avanti.



ATTENZIONE: Non impostare l'altezza di taglio troppo in basso. Se la superficie del prato non è piana, le lame possono urtare il terreno.

Batteria



AVVERTENZA: Prima di utilizzare la batteria, leggere e comprendere il capitolo sulla sicurezza. È inoltre importante leggere e comprendere il manuale operatore della batteria e del caricabatterie.

Mantenere la batteria e il caricabatteria a una temperatura ambiente adeguata.

	Temperatura ambiente
Funzionamento della batteria	5 °C - 40 °C
Caricamento della batteria	5 °C - 40 °C

Stato della batteria

Il display mostra la capacità residua della batteria e se sussistono problemi con la batteria stessa. La capacità della batteria viene visualizzata per 5 secondi dopo lo spegnimento del prodotto o dopo aver premuto il pulsante di spegnimento. Il simbolo d'avvertenza sulla batteria si accende quando si verifica un errore. Vedere Batteria alla pagina 211.

(Fig. 23)

Spie LED	Stato della batteria
Tutti i LED accesi	Completamente carica (75-100%)
LED 1, LED 2, LED 3 accesi	La batteria è carica al 50%-75%
LED 1, LED 2 accesi	La batteria è carica al 25%-50%
LED 1 acceso.	La batteria è carica allo 0%-25%.
LED 1 lampeggia.	La batteria è scarica. Caricare la batteria.

Per caricare la batteria

Caricare la batteria prima del primo utilizzo. Quando viene fornita al cliente, la batteria è carica solo al 30%.

Nota: Il caricabatterie deve essere collegato alla rete elettrica e alla frequenza indicate sulla targhetta dati di funzionamento.

La batteria non si ricarica se la sua temperatura è superiore a 50°C. Il caricabatteria riduce la temperatura della batteria prima di iniziare la ricarica.

1. Collegare un'estremità del cavo di alimentazione del caricabatteria alla presa del caricabatterie.
2. Collegare l'altra estremità del cavo di alimentazione del caricabatteria ad una presa di corrente con messa a terra. Il LED sul caricabatterie lampeggia verde per una volta. (Fig. 24)
3. Inserire la batteria nel caricabatterie. La luce verde sul caricabatterie si accende quando la batteria è collegata correttamente al caricabatterie. (Fig. 25)
4. Quando tutti i LED sulla batteria sono accesi, la batteria è completamente carica. Caricare la batteria per massimo 24 ore.

- Per scollegare il caricabatterie dalla presa di rete, estrarre la spina e non il cavo di alimentazione.
- Rimuovere la batteria dal caricabatterie.

Stato di ricarica della batteria

Husqvarna Le batterie agli ioni di litio possono essere ricaricate o usate a qualunque livello di carica. La batteria non viene danneggiata. Una batteria completamente carica non perde la carica nemmeno se lasciata nel caricabatterie.

Display a LED	Livello di carica
LED 1 lampeggia.	0%-25%
LED 1 acceso, LED 2 lampeggia.	25%-50%
LED 1, LED 2 accesi, LED 3 lampeggia.	50%-75%
LED 1, LED 2, LED 3 accesi, LED 4 lampeggia.	75%-100%
LED 1, LED 2, LED 3, LED 4 accesi	Completamente carica

Avviamento del prodotto

- Aprire il coperchio della batteria.
- Inserire una batteria carica nel vano batteria.
- Ruotare la chiave di sicurezza su 1. (Fig. 26)
- Collocarsi dietro il prodotto.
- Allentare l'inibitore dell'avviamento. (Fig. 17)
- Spingere l'impugnatura del freno motore in direzione del manubrio. (Fig. 27)

Utilizzo della funzione SaveE™

Il prodotto dispone di una funzione di risparmio batteria (SaveE™) che permette tempi di funzionamento più lunghi.

- Premere il pulsante SaveE™ in posizione 1 per avviare la funzione. (Fig. 28)
- Premere il pulsante SaveE™ in posizione 0 per arrestare la funzione.

Nota: La funzione SaveE™ si arresta automaticamente se le condizioni del terreno rendono necessaria una resa superiore. La funzione SaveE™ si riavvia automaticamente quando le condizioni del terreno lo consentono.

Funzione carico elevato

Quando il prodotto taglia erba lunga o umida, il motore aumenta automaticamente i giri/min. Il motore torna alla modalità standard quando il carico elevato non è necessario.

Stallo del motore

Durante il funzionamento, la lama e il motore possono arrestarsi temporaneamente a causa di ostacoli come ad esempio l'ostruzione dell'erba sotto il coperchio di taglio. Se ciò si verifica e si tiene premuta la maniglia del freno motore, il prodotto si riavvia automaticamente. Se il prodotto non si riavvia entro 5-10 secondi, può essere necessario fare pulizia sotto il coperchio. Fare riferimento a Per pulire il prodotto alla pagina 210.



AVVERTENZA: Se il motore si arresta, il prodotto tenta di riavviarsi automaticamente per 5-10 secondi. Attendere almeno 15 secondi prima di controllare il coperchio di taglio.



AVVERTENZA: Prima di controllare il coperchio di taglio, rilasciare la maniglia del freno motore, ruotare la chiave di sicurezza su 0, rimuovere la batteria e attendere almeno 5 secondi. Se l'ostacolo viene rimosso e il prodotto si avvia accidentalmente, sussiste il rischio di lesioni.

Arresto del prodotto



AVVERTENZA: Ruotare la chiave di sicurezza in posizione 0 prima di lasciare incustodito il prodotto.

- Rilasciare l'impugnatura del freno motore per arrestare il motore. (Fig. 29)
- Aprire il coperchio della batteria e ruotare la chiave di sicurezza in posizione 0. (Fig. 30)
- Per rimuovere la batteria, premere i 2 pulsanti di rilascio ed estrarre la batteria. (Fig. 31)
- Caricare la batteria se è debole. Per ulteriori informazioni, fare riferimento a Per caricare la batteria alla pagina 208.

Per ottenere un buon risultato

- Utilizzare sempre una lama ben affilata. Una lama non tagliente fornisce un risultato irregolare e la superficie di taglio dell'erba ingiallisce. Una lama affilata inoltre consuma minore energia di una lama affilata.
- Non tagliare più di 1/3 dell'altezza dell'erba. Iniziare l'operazione di taglio impostando l'altezza di taglio su un livello alto. Esaminare il risultato e ridurre l'altezza di taglio al livello applicabile. Se l'erba è molto alta, procedere lentamente e tagliarla 2 volte, se necessario.
- Tagliare sempre in direzioni diverse per evitare di formarsi di strisce sul prato.

- Mantenere pulito il coperchio di taglio. L'accumulo di erba e sporczia sul lato interno del coperchio di taglio può ridurre il risultato del taglio. Fare riferimento a Per pulire il prodotto alla pagina 210.

Manutenzione

Introduzione



AVVERTENZA: Prima di svolgere la manutenzione, leggere e comprendere il capitolo relativo alla sicurezza.

Per tutti gli interventi di assistenza e riparazione sul prodotto, è necessaria una formazione specifica. La nostra azienda garantisce la disponibilità di personale qualificato per le riparazioni e l'assistenza. Se non avete acquistato il prodotto presso un rivenditore dotato di officina, informatevi sull'ubicazione della più vicina officina autorizzata.

Per ulteriori informazioni dettagliate, fare riferimento a www.husqvarna.com.

Programma di manutenzione

Gli intervalli di manutenzione sono calcolati sulla base di un uso quotidiano del prodotto. Gli intervalli cambiano se il prodotto non viene usato quotidianamente.

Per gli interventi di manutenzione contrassegnati con il simbolo *, vedere le istruzioni in Sicurezza alla pagina 202.

	A ciascun utilizzo	Una volta al mese	Ogni stagione
Effettuare un'ispezione generale.	X		
Pulire il prodotto.	X		
Pulire l'area intorno alla barra di regolazione dell'altezza della maniglia.	X		
Eseguire un controllo dell'inibitore di avviamento. *	X		
Assicurarsi che i dispositivi di sicurezza del prodotto non siano difettosi. *	X		
Controllare l'attrezzatura di taglio.	X		
Controllare il coperchio di taglio. *	X		
Controllare la leva del freno motore. *	X		
Controllare la presenza di eventuali danni alla batteria.	X		
Effettuare un controllo dello stato di carica della batteria.	X		
Accertarsi che i pulsanti di rilascio sulla batteria funzionino correttamente e che tengano la batteria bloccata all'interno del prodotto.	X		
Controllare che il caricabatterie non sia danneggiato e che funzioni correttamente.		X	
Controllare i collegamenti tra la batteria e il prodotto. Controllare anche il collegamento tra la batteria e il caricabatterie.			X

Per effettuare un'ispezione generale

- Controllare che tutti i dadi e le viti del prodotto siano ben serrati.
- Accertarsi che i cavi del prodotto non sono in una posizione in cui possono danneggiarsi.

Per pulire il prodotto

- Pulire le parti in plastica con un panno pulito e asciutto.
- Non utilizzare acqua per pulire il prodotto. L'acqua può penetrare nella batteria o nel motore e causare un corto circuito o danni al prodotto.
- Non utilizzare una lancia ad alta pressione per pulire il prodotto.

- Non dirigere getti d'acqua sul motore.
- Utilizzare una spazzola per rimuovere foglie, erba e sporcizia.

Per pulire la batteria e il caricabatterie



AVVERTENZA: Non pulire la batteria o il caricabatterie con acqua.



AVVERTENZA: Non utilizzare sostanze chimiche per pulire la batteria.

- Accertarsi che la batteria e il caricabatterie siano puliti e asciutti prima di inserire la batteria nel caricabatterie.
- Pulire i terminali della batteria con aria compressa o con un panno morbido e asciutto.
- Pulire le superfici della batteria e del caricabatterie con un panno morbido e asciutto.

Pulizia dell'area intorno all'anello di regolazione dell'altezza della maniglia

- Utilizzare una spazzola per rimuovere foglie, erba e sporcizia. (Fig. 32)

Per controllare l'attrezzatura di taglio



AVVERTENZA: Per evitare l'avviamento accidentale, ruotare la chiave di sicurezza su 0, rimuovere la batteria e attendere almeno 5 secondi.



AVVERTENZA: Indossare guanti protettivi quando si esegue la manutenzione dell'attrezzatura di taglio. La lama è molto affilata e ci si può ferire facilmente.

1. Controllare l'attrezzatura di taglio per individuare danni o crepe. Sostituire sempre l'attrezzatura di taglio danneggiata.
2. Osservare la lama per controllare che non sia danneggiata o usurata.

Nota: Dopo l'affilatura la lama deve essere bilanciata. Rivolgersi a un centro assistenza per l'affilatura, la sostituzione e il bilanciamento. Se si urta un ostacolo che provoca l'arresto del prodotto, sostituire la lama danneggiata. Il centro di assistenza può valutare se la lama può essere affilata o deve essere sostituita.

Per sostituire la lama

Fare riferimento a Dati tecnici alla pagina 214 per il tipo di lama corretto.



AVVERTENZA: Bloccare la lama con un blocco di legno per evitare lesioni alle dita durante la sostituzione della lama. La lama può essere spostata quando il motore è spento e le dita possono rimanere intrappolate tra la lama e le parti fisse.

1. Bloccare la lama con un blocco di legno. (Fig. 33)
2. Rimuovere il bullone della lama, la rondella elastica e la lama. (Fig. 34)
3. Esaminare il supporto e il bullone della lama per verificare la presenza di eventuali danni.
4. Esaminare l'albero motore per accertarsi che non sia piegato.
5. Quando si fissa la nuova lama, assicurarsi che gli angoli finali della lama puntino in direzione del coperchio di taglio. (Fig. 35)
6. Assicurarsi che la lama sia allineata con il centro dell'albero motore.
7. Bloccare la lama con un blocco di legno. Inserire la rondella reggispinta e serrare il bullone e la rondella a una coppia di 23–28 Nm. (Fig. 36) (Fig. 34)
8. Girare manualmente la lama per verificare che possa ruotare liberamente.



AVVERTENZA: Utilizzare dei guanti da lavoro spessi. La lama è molto affilata e ci si può ferire facilmente.

9. Avviare il prodotto per eseguire una prova della lama. Se la lama non è collegata correttamente, si verificano delle vibrazioni nel prodotto o il risultato del taglio è insoddisfacente.

Ricerca guasti

Batteria

LED della batteria	Causa	Soluzione
Il LED verde lampeggia.	La tensione della batteria è bassa.	Caricare la batteria. Fare riferimento a Per caricare la batteria alla pagina 208.

LED della batteria	Causa	Soluzione
Il LED di errore lampeggia.	La batteria è scarica.	Caricare la batteria. Fare riferimento a Per caricare la batteria alla pagina 208.
	La temperatura nell'ambiente di lavoro è troppo alta o troppo bassa.	Utilizzare la batteria a una temperatura compresa tra 5 °C e 40 °C.
	Sovratensione.	Controllare che la tensione di rete corrisponda a quella indicata sull'etichetta del prodotto. Rimuovere la batteria dal caricabatterie. Attendere 5 secondi e riprovare a caricare la batteria. Se il problema persiste, contattare un'officina autorizzata.
Il LED di errore è acceso.	La differenza delle celle è eccessiva (1 V).	Contattare un'officina autorizzata.

Caricabatteria

LED del caricabatterie	Causa	Soluzione
Il LED di errore lampeggia.	La temperatura nell'ambiente di lavoro è troppo alta o troppo bassa.	Utilizzare il caricabatteria a una temperatura compresa tra 5 °C e 40 °C.
Il LED di errore è acceso.		Contattare un'officina autorizzata.

Tagliaerba

La spia (LED di errore) si trova sotto il coperchio della batteria.

Problema	LED di errore (numero di lampeggi)	Causa	Soluzione
Il LED di errore lampeggia. Il prodotto non funziona correttamente.	5	La lama è bloccata.	Portare la chiave di sicurezza su 0 per evitare l'avviamento accidentale. Rimuovere la batteria e attendere almeno 5 secondi. Rimuovere eventuali ostacoli e accertarsi che la lama possa ruotare liberamente. Se il problema persiste, contattare un'officina autorizzata.
		La velocità del motore diminuisce eccessivamente e il motore si arresta.	Aumentare l'altezza di taglio. Fare riferimento a Impostazione dell'altezza di taglio alla pagina 208.
	10	Il comando del motore è troppo caldo.	Arrestare il motore e attendere che si raffreddi.

Problema	LED di errore (numero di lampeggi)	Causa	Soluzione
Il LED di errore lampeggia. Il prodotto si arresta.	0	Guasto del connettore della batteria.	Esaminare il connettore della batteria.
	3	Vi è un sovraccarico nel motore.	Aumentare l'altezza di taglio. Fare riferimento a Impostazione dell'altezza di taglio alla pagina 208.
	8	La batteria è scarica.	Caricare la batteria. Fare riferimento a Per caricare la batteria alla pagina 208.
	9	Errore batteria o nessun segnale dalla batteria.	Inserire correttamente la batteria nel prodotto e controllare il connettore della batteria. Se il LED di errore della batteria lampeggia. Fare riferimento a Stato della batteria alla pagina 208.
	12	Procedura di avviamento non corretta. L'impugnatura del freno motore è stata innestata prima dell'avviamento del motore.	Rilasciare l'impugnatura del freno motore e attendere circa 5 secondi. Spingere nuovamente verso il basso l'impugnatura del freno motore per avviare il prodotto.
Altri errori.	Se si verificano altri errori, ruotare la chiave di sicurezza su 0, rimuovere la batteria e rivolgersi a un'officina autorizzata.		

Trasporto, stoccaggio e smaltimento

Introduzione



AVVERTENZA: Per evitare l'avviamento accidentale durante il trasporto e la conservazione, ruotare la chiave di sicurezza su 0, rimuovere la batteria e attendere almeno 5 secondi.

Disposizione del prodotto in posizione di trasporto

1. Spingere la barra di regolazione dell'altezza con il piede. (Fig. 37)
2. Tirare verso l'alto l'impugnatura e tirare la barra di regolazione dell'altezza dalla scanalatura.
3. Piegarla l'impugnatura in avanti fino a quando non si trova nella posizione finale. (Fig. 38)
4. Piegarla la barra di regolazione dell'altezza verso il coperchio di taglio. (Fig. 39)
5. Rilasciare le manopole dell'impugnatura. (Fig. 40)
6. Ripiegare l'impugnatura superiore verso il retro. (Fig. 41)

Trasporto

- I requisiti di legge sulle merci pericolose si applicano alle batterie agli ioni di litio incluse.

- Rispettare i requisiti speciali riportati sulla confezione e sulle etichette per il trasporto commerciale.
- Durante la preparazione al trasporto del prodotto, attenersi alle normative relative ai materiali pericolosi. Possono essere in vigore alcune normative locali.
- Rimuovere sempre la batteria per il trasporto.
- Applicare del nastro sui connettori della batteria e assicurarsi che la batteria rimanga fissa in posizione durante il trasporto.
- Fissare il prodotto durante il trasporto.

Rimessaggio

- Prima di riporre il prodotto, lasciarlo raffreddare.
- Rimuovere sempre la batteria per lo stoccaggio.
- Per evitare incidenti, assicurarsi che la batteria non sia collegata al prodotto una volta riposto.
- Conservare il caricabatterie in un ambiente chiuso e asciutto.
- Conservare la batteria e il caricabatterie in un luogo asciutto, privo di umidità e protetto dal gelo.
- Scollegare la batteria dal caricabatterie durante lo stoccaggio.
- Non conservare la batteria in aree elettricamente statiche. Non conservare mai la batteria in una scatola di metallo.

- Conservare il prodotto a una temperatura ambiente compresa tra -10 °C e 40 °C.
- Conservare la batteria a una temperatura ambiente compresa tra 5 °C e 25 °C e non esposta alla luce del sole.
- Conservare il caricabatterie a una temperatura ambiente compresa tra 5 °C e 45 °C e non esposto alla luce del sole.
- Accertarsi che la batteria sia carica al 30% - 50% prima di riporla per lunghi periodi.
- Conservare il prodotto, la batteria e il caricabatterie in un luogo chiuso a chiave, fuori dalla portata di bambini e di persone non autorizzate.
- Pulire il prodotto e assicurarsi che il raccoglierba sia vuoto.
- Eseguire gli interventi di manutenzione riportati nel presente manuale operatore. Fare riferimento a Programma di manutenzione alla pagina 210.

- Eseguire una manutenzione completa prima di riporre il prodotto per lunghi periodi.

Smaltimento

I simboli sul prodotto o sull'imballaggio indicano che il presente prodotto non può essere trattato come rifiuto domestico. Deve essere portato presso un centro di raccolta specializzato nel recupero di apparecchiature elettriche ed elettroniche.

Trattando questo prodotto correttamente, si contribuisce a contrastare il potenziale impatto negativo sull'ambiente e sulle persone che può altrimenti sortire da una gestione impropria del prodotto come rifiuto. Per informazioni più dettagliate sul riciclaggio di questo prodotto, contattare l'autorità municipale, il servizio rifiuti domestici o il punto vendita in cui è stato acquistato.

(Fig. 42)

Dati tecnici

	LB 144i
Motore di taglio	
Tipo di motore	BLDC (senza spazzole) 36V
Velocità del motore – SavE, giri/min	2600/min
Velocità del motore – Nominale, giri/min	3200/min
Velocità del motore - Carico elevato, giri/min	3500/min
Potenza del motore - max kW	0,9
Potenza del motore - Nominale, kW	0,75
Motore di azionamento	
Potenza del motore - Nominale, kW	N/D
Velocità conduzione automatica, km/h	N/D
Livelli di regolazione della velocità	N/D
Peso	
Peso (esclusa batteria), kg	15,5
Peso (incl. 1x BLi30), kg	17,5
Batteria	
Tipo di batteria	Serie batteria Husqvarna
Prestazione della batteria	
Durata della batteria, min, (funzionamento libero) con modalità SavE attiva, con una batteria Husqvarna da 7,5 Ah (BLi30).	170
Prestazione della batteria, min, (free run) con modalità standard attivata, con una batteria Husqvarna da 7,5 Ah (BLi30).	135

	LB 144i
Emissioni di rumore ³⁷	
Livello di potenza acustica, misurato dB(A)	90
Livello acustico, garantito L _{WA} dB(A)	92
Livelli di rumorosità ³⁸	
Livello di pressione acustica all'orecchio dell'operatore, dB(A)	77
Livelli di vibrazioni ³⁹	
Impugnatura, m/s ²	0,7
Attrezzatura di taglio	
Altezza di taglio, mm	25-75
Larghezza di taglio, cm	44
Standard lama	Mulching 5298073-10
Accessorio lama	N/D

Batterie approvate	Tipo	Capacità batteria, Ah	Tensione, V	Peso, lb/kg
40-B140	Ioni di litio	4,0	36	2,6/1,2
BLi30	Ioni di litio	7,5	36	4,2/1,9

Caricabatteria omologati per le batterie specificate, BLi	Tensione di entrata, V	Frequenza, Hz	Potenza, W
40-C80	100-240	50-60	68,8
QC250	220-240	50	250

³⁷ Emissioni di rumore nell'ambiente misurate come potenza sonora (L_{WA}) in base alla direttiva CE 2000/14/CE.

³⁸ I dati riportati per il livello di pressione acustica presentano un fattore di incertezza di 1,5 dB(A).

³⁹ I dati riportati per il livello di vibrazione presentano un fattore di incertezza di 1,5 m/s². Il valore totale dichiarato relativo alle vibrazioni è stato misurato in conformità allo standard EN 62841-4-3 Allegato I e può essere utilizzato per confrontare le macchine e in una valutazione preliminare dell'esposizione.

Dichiarazione di conformità

Dichiarazione di conformità UE

Husqvarna AB, SE-561 82 Huskvarna, Svezia, tel.:
+46-36-146500, dichiara sotto la propria esclusiva
responsabilità che il prodotto indicato:

Descrizione	Tagliaerba
Marchio	Husqvarna
Tipo / Modello	LB 144i
Identificazione	Numeri di serie a partire da 2022 e successivi

È pienamente conforme alle seguenti norme e direttive
UE:

Regolamento	Descrizione
2006/42/CE	"sulle macchine"
2014/30/UE	"sulla compatibilità elettromagnetica"
2000/14/CE	"sull'emissione di rumore nell'ambiente"
2011/65/UE	"sulle restrizioni dell'uso di determinate sostanze pericolose nelle apparecchiature elettriche ed elettroniche"

e che sono applicati gli standard e/o le specifiche tecniche seguenti: EN 62841-1:2015/AC:2015, EN IEC 62841-4-3:2021/A11:2021, EN ISO 12100:2010, EN 55014-1:2021, EN 55014-2:2021, EN IEC 61000-6-2:2019, EN IEC 61000-6-3:2021, EN IEC 63000:2018

Organo competente: 0404, RISE SMP Svensk Maskinprovning AB, Box 4053, SE-904 03 Umeå, Sweden ha certificato la conformità alla Direttiva del Consiglio 2000/14/CE, procedura di valutazione della conformità: Allegato VI

Per informazioni sulle emissioni acustiche, fare riferimento a Dati tecnici alla pagina 214.

Huskvarna, 2022-12-05



Claes Lossdal, Responsabile sviluppo/Prodotti da giardino, Husqvarna AB

Responsabile della documentazione tecnica



TURINYS

Ivadas.....	217	Gedimai ir jų šalinimas.....	227
Sauga.....	218	Transportavimas, saugojimas ir utilizavimas.....	228
Surinkimas.....	223	Techniniai duomenys.....	229
Naudojimas.....	223	Atitikties deklaracija.....	232
Techninė priežiūra.....	225		

Ivadas

Gaminio aprašas

Šis gaminys yra savaeigė sukamoji vejapjovė, kuri naudojama BioClip smulkina žolę ir paverčia ją trąša.

Gaminio apžvalga

(Pav. 1)

1. Rankena / valdymo rankena
2. Variklio stabdymo rankena
3. Apsauga nuo netyčinio paleidimo
4. Kėlimo rankenos
5. Pjovimo agregatas
6. Pjovimo aukščio reguliavimo svirtis
7. Apsauginis raktelis
8. Akumuliatoriaus gaubtas
9. Valdymo rankenos aukščio reguliavimo rankenėlė
10. „SavE“ mygtukas
11. Įspėjimo indikatorius (klaidos šviesos diodas)
12. Naudojimo instrukcija
13. Akumuliatoriaus įkroviklis (priedas)
14. Akumuliatorius (priedas)

Simboliai ant gaminio

(Pav. 2) ĮSPĖJIMAS

(Pav. 3) Perskaitykite instrukcijas.

(Pav. 4) ĮSPĖJIMAS – saugokitės išsviestų objektų.

(Pav. 5) Pašaliniai asmenys turi laikytis atokiau.

(Pav. 6) ĮSPĖJIMAS – saugokite rankas bei kojas ir neikiškite jų prie peilių.

(Pav. 7) ĮSPĖJIMAS – prieš atlikdami techninę apžiūrą atjunkite akumuliatorių.

(Pav. 8) Gaminys ar gaminio pakuotė nepriskiriami būtiniems atliekoms. Nuvežkite jį į elektros ir elektronikos įrenginių perdirbimo punktą.

Numatytasis naudojimas

Gaminį naudokite žolei pjauti. Nenaudokite gaminio kitiems darbams.

(Pav. 9) Triukšmo emisijos į aplinką ženklিনimas atitinka ES ir Jungtinės Karalystės direktyvas bei reglamentus ir Naujojo Pietų Velso įstatymą „2017 m. aplinkos apsaugos (triukšmo kontrolės) reglamentas“. Gaminio garantuotasis garso galios lygis nurodytas Techniniai duomenys psl. 229 ir etiketėje.

(Pav. 10) Šis įtaisas atitinka jam taikomas EB direktyvas.

(Pav. 11) Šis gaminys atitinka taikytinų JK reglamentų nuostatas.

(Pav. 12) Gaminys apsaugotas nuo lašėjimo.

(Pav. 13) Norėdami sustabdyti, atleiskite variklio stabdymo rankeną.

(Pav. 14) Nuskaitomas kodas.

Pasižymėkite: Kiti ant gaminio pateikti simboliai (etiketės) skirti kai kurių rinkų sertifikavimo reikalavimams.

Atsakomybė už gaminį

Kaip nurodyta atsakomybės už gaminį įstatymuose, mes nesame atsakingi už mūsų gaminio sukeltą žalą, jei:

- gaminys netinkamai suremontuotas;
- gaminys suremontuotas naudojant kito gamintojo arba gamintojo nepatvirtintas dalis;
- gaminys turi kito gamintojo arba gamintojo nepatvirtintą priedą;
- gaminys suremontuotas ne patvirtintame techninės priežiūros centre arba jį suremontavo ne patvirtintas atstovas.

Saugos ženklų reikšmės

Įspėjimai, perspėjimai ir pastabos yra skirtos atkreipti dėmesį į ypač svarbias vadovo dalis.



PERSPĖJIMAS: Naudojamas, kai naudotojui ar šalia esantiems asmenims kyla mirtino arba sunkaus sužeidimo pavojus arba, jei nesilaikoma vadove pateiktų nurodymų.



PASTABA: Naudojamas, kai kyla pavojus sugadinti gaminį, kitas medžiagas arba padaryti žalą aplinkai, jei nesilaikoma vadove pateiktų nurodymų.

Pasižymėkite: Naudojamas papildomai informacijai apie konkrečią situaciją pateikti.

Bendrieji gaminio saugos įspėjimai



PERSPĖJIMAS: Perskaitykite visus saugos įspėjimus, instrukcijas, iliustracijas ir specifikacijas, pateikiamas su šiuo gaminiumi.

Nesilaikydami toliau nurodytų instrukcijų galite sukelti gaisrą, gauti elektros smūgį ir (ar) rimtai susižeisti.

Saugokite visus įspėjimus ir instrukcijas, nes jų gali prireikti vėliau. Terminas „gaminys“ įspėjimuose reiškia iš elektros tinklo maitinamą (laidinį) gaminį arba akumuliatoriumi maitinamą (belaidį) gaminį.

Sauga darbo vietoje

- Darbo vieta turi būti švari ir gerai apšviesta. Netvarkingose arba tamsiose darbo vietose dažnai įvyksta nelaimės.
- Nenaudokite gaminio sprogiose aplinkose, pavyzdžiui, ten, kur yra degių skysčių, dujų arba dulkių. Gaminys kibirkščiuoja, todėl gali užsiliepsnoti dulkės arba garai.
- Naudodami gaminį, neleiskite arti būti vaikams ir pašaliniams asmenims. Išsiliepsnę galite prarasti įrenginio kontrolę.

Elektrosauga

- Gaminį kištukai turi atitikti elektros lizdus. Niekada nebandykite koku nors būdu perdaryti kištuko. Jei naudojate įžemintus gaminius, nenaudokite jokių kištukų adapterių. Jeigu kištukai nėra perdaryti ir atitinka elektros lizdus, elektros smūgio pavojus yra mažesnis.
- Nesilieskite prie elektros laidininkų paviršių, pavyzdžiui, vamzdžių, radiatorių, viryklių ir šaldytuvų.

Jei kūnas taps elektros laidininku, iškils elektros smūgio pavojus.

- Nelaikykite gaminį lietuje arba drėgnoje aplinkoje. Į gaminį patekęs vanduo padidina elektros smūgio pavojų.
- Tinkamai naudokite laidą. Niekada neneškite gaminio laikydami už laido, netraukite jo ir nebandykite traukdamai už jo ištraukti kištuką. Laikykite laidą atokiai nuo šilumos šaltinių, tepalų, aštrių briaunų ar judančių dalių. Dėl pažeistų arba susipainiojusių laidų padidėja elektros smūgio rizika.
- Jei gaminį naudojate lauke, naudokite lauke skirtą naudoti ilgintuvą. Naudojant lauke skirtą naudoti ilgintuvą, sumažėja elektros smūgio rizika.
- Jeigu gaminį būtina naudoti drėgnoje aplinkoje, naudokite liekamosios srovės [taisu (LS)] apsaugotą maitinimo šaltinį. Naudojant LS], sumažėja elektros smūgio pavojus.

Asmens sauga

- Naudodami gaminį būkite budrūs, stebėkite savo veiksmus ir vadovaukitės sveiku protu. Nenaudokite gaminio, jei esate pavargę, apsvaigę nuo narkotikų, alkoholio arba vaistų. Dirbant gaminiu netgi akimirksniu neatidumo gali tapti sunkaus sužeidimo priežastimi.
- Naudokite asmenines apsaugines priemones. Visuomet užsidėkite akių apsaugos priemones. Dėl atitinkamomis sąlygomis naudojamų apsauginių priemonių, pavyzdžiui, respiratorių, neslystančių apsauginių batų, šalmo arba apsauginių ausinių, sumažėja sužeidimų rizika.
- Saugokitės atsitiktinio įsijungimo. Prieš prijungdami gaminį prie maitinimo šaltinio ir (arba) akumuliatorių bloko, paimdami arba nešdami įrenginį, įsitinkinkite, kad jungiklis yra išjungimo padėtyje. Jei nešite gaminius laikydami pirštą ant jungiklio ar prijungsite jį prie maitinimo šaltinio, kai jungiklis yra įjungimo padėtyje, gali įvykti nelaimingas atsitikimas.
- Prieš įjungdami gaminį, pašalinkite iš jo visus reguliavimo raktus ar veržliarakčius. Besisukančiose gaminio dalyse paliktas veržliarakstis arba raktas gali sužeisti.
- Per plačiai neužsimokite. Visada tvirtai stovėkite ant kojų ir laikykite pusiausvyrą. Tokiu būdu geriau kontroliuosite gaminį netikėtose situacijose.
- Apsirenkite tinkamai. Niekada nedėvėkite palaidų drabužių ar papuošalų. Nelaikykite plaukų ir drabužių arti judančių dalių. Palaidi drabužiai, papuošalai arba ilgi plaukai gali įkliūti į judančias dalis.
- Jeigu naudojate įtaisus, skirtus dulkių surinkimo įrenginiams prijungti, įsitinkinkite, kad jie tinkamai prijungti ir naudojami. Naudojant dulkių surinkimo įrenginius, sumažėja su dulkėmis susijusių pavojų rizika.

- **Igdę naudotis gaminiais ir prie jų pripratę** nenustokite paisyti gaminų saugos principų. Dėl neatsargių veiksmų galite sunkiai susižeisti vos per akimirką.

Gaminio naudojimas ir priežiūra

- **Dirbdami su gaminiu nenaudokite jęgos.** Naudokite savo darbui tinkamą gaminį. Naudojant numatytam tikslui skirtą gaminį, darbas bus atliktas saugiau ir greičiau.
- **Jeigu paspaudus jungiklį gaminys neišsijungia arba neišsijungia, nenaudokite jo.** Gaminys, kurio nepavyksta tinkamai valdyti jungikliu, kelia pavojų ir turi būti pataisytas.
- **Prieš reguliuodami gaminį, keisdami priedus arba padędami saugoti gaminius, ištraukite maitinimo laido kištuką iš elektros maitinimo šaltinio ir (arba) išimkite akumuliatorių bloką iš gaminio, jei tai įmanoma.** Laikantis šių prevencinių saugos priemonių, sumažėja netyčinio gaminio įjungimo rizika.
- **Nenaudojamus gaminius laikykite vaikams nepasiekiamoje vietoje ir neleiskite naudoti gaminio asmenims, kurie nemoka juo naudotis arba nėra susipažinę su šiomis instrukcijomis.** Nekvalifikuotų naudotojų rankose gaminiai yra pavojingi.
- **Pržiūrękite gaminius ir jų priedus.** Patikrinkite, ar sureguliuotos ir nestrįnga judančios dalys, ar nėra sulūžusių dalių ir kitų veiksmių, kurie gali daryti įtaką gaminio veikimui. Jei gaminys sugęs, prieš naudodami jį sutaisykite. Daug nelaimingų atsitikimų įvyksta dėl netinkamai pržiūrimų gaminų.
- **Pjovimo įrankiai turi būti pagalęsti ir švarūs.** Tinkamai pržiūrėti pjovimo įrankiai su aštriomis pjovimo briaunomis rečiau užstringa ir juos paprasčiau valdyti.
- **Gaminį, priedus, antgalius ir pan. naudokite taip, kaip nurodyta šiose instrukcijose, atsižvelgdami į darbo sąlygas ir atliekamą darbą.** Naudodami gaminį ne pagal paskirtį, galite sukelti pavojų.
- **Rankenos ir laikomieji paviršiai visuomet turi būti sausi ir švarūs (neištepti alyva ar tepalais).** Slidžios rankenos ir laikymosi paviršiai neleidžia saugiai valdyti ir kontroliuoti gaminio netikėtose situacijose.

Akumuliatorių įrankių naudojimas ir priežiūra

- **Akumuliatorius kraukite tik gamintojo nurodytu įkrovikliu.** Įkroviklis, tinkamas vienam akumuliatorių blokui, gali sukelti gaisro pavojų, naudojamas kitam akumuliatorių blokui įkrauti.
- **Gaminius naudokite tik su jiems skirtais akumuliatorių blokais.** Naudojant bet kokį kitą akumuliatorių bloką kyla sužeidimo ir gaisro pavojus.
- **Nenaudojamą akumuliatorių bloką laikykite toliau nuo metalinių daiktų, galinčių sukurti jungtį tarp gnybtų, pavyzdžiui sąvaržėlių, monetų, raktų, vinių, varžtų ir kitų smulkių metalinių daiktų.** Trumpai sujungus akumuliatoriaus gnybtus gali kilti gaisras arba galite nudegti.

- **Esant nepalankioms sąlygoms, iš akumuliatoriaus gali imti tekėti skystis.** Nelieskite jo. Ant odos netyčia patekusį skystį nuplaukite vandeniu. Skysčiu patekusį į akis kreipkitės medicininę pagalbą. Iš akumuliatoriaus ištekęjęs skystis gali sudirginti arba nudeginti.
- **Nenaudokite pažeisto arba modifikuoto akumuliatorių bloko arba įrankio.** Naudojant pažeistus ar modifikuotus akumuliatorius, jų veikimas gali būti neprognozuojamas ir jie gali sukelti gaisrą, sprogimą ar sužaloti.
- **Saugokite akumuliatorių bloką arba įrankį nuo ugnies ir didelės temperatūros.** Sąlytis su ugnimi arba 130 °C (265°F) temperatūra gali sukelti sprogimą.
- **Laikykitės visų įkrovimo nurodymų ir neįkraukite akumuliatorių bloko ar įrankio, esant nurodytame diapazone neišsitenkančiai temperatūrai.** Netinkamai įkraunant arba esant nurodytame diapazone neišsitenkančiai temperatūrai gali būti pažeistas akumuliatorius ir padidėti gaisro tikimybę.

Techninė priežiūra

- **Gaminio techninę priežiūrą privalo atlikti kvalifikuotas remonto specialistas, naudodamas tik tokias pačias pakaitines dalis.** Tokiu būdu bus užtikrinta gaminio sauga.
- **Niekada neatlikite pažeistų akumuliatorių blokų techninės priežiūros.** Akumuliatorių blokų techninę priežiūrą gali atlikti tik gamintojas arba įgalioti paslaugų teikėjai.

Vejapjovės saugos įspėjimai

- **Nenaudokite vejapjovės blogomis oro sąlygomis, ypač jei yra žaibo pavojus.** Taip sumažinsite pavojų būti nutrenktiems žaibo.
- **Kruopščiai apžiūrękite plotą, kuriame bus naudojama vejapjovė, ar nėra laukinių gyvūnų.** Veikianti vejapjovė gali juos sužeisti.
- **Nuodugnai patikrinkite vietą, kur bus naudojama vejapjovė, ir pašalinkite akmenis, pagalius, vielas, kaulus ir kitus pašalinius objektus.** Išsviedžiami daiktai gali sužaloti.
- **Prieš naudodami vejapjovę, apžiūrękite peilį ir peilio agregatą, kad jie nebūtų pažeisti ar susidėvęję.** Dėl susidėvėjusių ar apgadintų dalių didėja sužeidimo pavojus.
- **Nuolat tikrinkite, ar žolės rinktuvas nesusidėvėjo ir nėra sugadintas.** Susidėvęjęs arba pažeistas žolės rinktuvas gali didinti sužeidimų pavojų.
- **Apsaugos turi būti savo vietoje.** Apsaugos turi atlikti savo funkciją ir būti tinkamai sumontuotos. Atsilaisvinusi, pažeista arba netinkamai veikianti apsauga gali sužaloti dirbantįjį.
- **Visos ausinimo oro tiekimo angos turi būti švarios.** Užsikimšusios oro tiekimo angos ir nešvarumai gali sukelti perkaitimo arba gaisro pavojų.
- **Dirbdami su vejapjove visada avėkite neslystančius ir apsauginius batus.** Nenaudokite vejapjovės basi arba avėdami atvirą avalynę. Tokiu būdu

sumažinsite pavojų susižeisti kojas dėl sąlyčio su judančiu peiliu.

- **Dirbdami su veļapjove, visada mūvēkite ilgus kelnes.** Dirbant atidengta oda, didēļa tikimybē susižeisti dėl išsviedžiamų objektų.
- **Nenaudokite veļapjovēs drēgnoje žolēje. Eikite, niekada nebēkite.** Tokiu būdu sumažēs pavojus paslysti ir nugriūti, tad išvengsite sužalojimų.
- **Nenaudokite veļapjovēs ant pernelyg stačių šlaitų.** Tokiu būdu sumažēs pavojus nesuvaldyti įrenginio, paslysti ir nugriūti, tad išvengsite sužalojimų.
- **Dirbdami šlaituose visada įsitinkinkite, kad tvirtai stovite, šlaitu visada kilkite horizontaliai, niekada nedirbkite judėdami aukštyn ir žemyn, būkite ypač atsargūs keisdami judėjimo kryptį.** Tokiu būdu sumažēs pavojus nesuvaldyti įrenginio, paslysti ir nugriūti, tad išvengsite sužalojimų.
- **Apgręždami arba traukdami veļapjovę į save, būkite itin atsargūs. Visada stebėkite aplinką.** Taip sumažėja pavojus dirbant apvirsti.
- **Nelieskite peilių ir kitų pavojingų judančių dalių, kol jos vis dar juda.** Taip sumažēs pavojus susižaloti dėl judančių dalių.
- **Valydami užstrigusią medžiagą arba valydami veļapjovę, įsitinkinkite, kad visi maitinimo jungikliai išjungti ir elektros laidas atjungtas.** Veļapjovėi pradėjus netikėtai veikti, galima sunkiai susižaloti.

Liekamosios srovės įtasis

- Liekamosios srovės įtasis naudokite, kai išjungiamo srovė ne didesnė nei 30 mA.

Bendrieji saugos nurodymai



PERSPĖJIMAS: Prieš naudodami gaminį, perskaitykite toliau esančius įspėjimus.

- Netinkamai arba neatidžiai naudojant šis gaminys yra pavojingas. Jei nesilaikysite saugos nurodymų, kyla sužeidimų arba mirties pavojus.
- Šis gaminys veikdamas sukuria elektromagnetinį lauką. Tam tikromis aplinkybėmis šis laukas gali trikdyti aktyviųjų arba pasyviųjų medicininių implantų veiklą. Kad sumažėtų sunkių ar mirtinų sužeidimų pavojus, medicininių implantų turintiesiems asmenims rekomenduojame prieš naudojant šį gaminį pasitarti su gydytoju ir implanto gamintoju.
- Visada elkitės atsargiai ir vadovaukitės sveiku protu. Jei tiksliai nežinote, kaip naudoti gaminį konkrečioje situacijoje, sustabdykite darbą ir prieš tęsdami darbą pasitarkite su „Husqvarna“ pardavimo atstovu.
- Atminkite, kad už nelaimingus atitikimus, kurių metu nukentės asmenys ar turtas, bus atsakingas naudotojas.
- Rūpinkitės gaminio švara. Įsitinkinkite, kad galite aiškiai perskaityti ženklus ir lipdukus.
- Neleiskite vaikams bei suaugusiesiems, nesusipažinusiems su instrukcijomis, naudotis

įrenginiu. Gali būti, kad pagal vietos teisės aktus ribojamas naudotojo amžius.

- Visada prižiūrėkite gaminį naudojantį fizinę arba protinę negalią turintį asmenį. Būtina nuolatinė atsakingo suaugusiojo priežiūra.
- Nedirbkite su gaminiumi, jeigu esate pavargę, sergate arba esate apsvaigę nuo alkoholio, narkotinių medžiagų ar vaistų. Tai neigiamai veikia jūsų regėjimą, nuovoką ar koordinaciją.
- Nedirbkite su gaminiumi, jei jis yra sugadintas.
- Nekeiskite gaminio ir nenaudokite jo, jei jį galėję pakeisti kiti.

Darbo sauga



PERSPĖJIMAS: Prieš naudodami gaminį, perskaitykite toliau esančius įspėjimus.

- Gaminį naudokite tik veļų žolei pjauti. Neleidžiama jo naudoti kitoms užduotims atlikti.
- Naudokite asmenines apsaugines priemones. Žr. Asmeninės apsauginės priemonės psl. 221.
- Įsitinkinkite, kad žinote, kaip greitai sustabdyti variklį nelaimės atveju.
- Nenaudokite gaminio lietuje arba drēgnoje aplinkoje. Į gaminį patekus vandens, padidėja elektros smūgio pavojus.
- Nenaudokite gaminio tinkamai neuždengę peilio ir neuždėję kitų dangčių. Netinkamai uždėtas peilis gali atsilaisvinti ir sužeisti.
- Užtikrinkite, kad peilis neatsitrenktų į tokius objektus, kaip akmenys ir šaknys. Tai gali sugadinti peilį ir sulenkti variklio veleną. Sulenkta ašis sukelia didelę vibraciją ir kyla didžiulis pavojus, kad peilis atsilaisvins.
- Jei į peilį atsitrenkia objektas arba susidaro vibracijos, nedelsdami sustabdykite gaminį. Išjunkite variklį, pasukite apsauginį raktelį į padėtį „0“ ir išimkite akumuliatorių. Palaukite, kol judančios dalys sustos. Patikrinkite, ar gaminys neapgadintas. Priveržkite atsilaisvinusias dalis. Pataisykite pažeidimus ir pakeiskite pažeistas dalis. Taisymo darbus leiskite atlikti įgaliotam techninės priežiūros atstovui.
- Niekada nepritvirtinkite variklio stabdymo rankenos prie rankenos visam laikui, kai variklis veikia.
- Padėkite gaminį ant stabiliaus, plokščio paviršiaus ir paleiskite jį. Patikrinkite, ar peilis neliečia žemės ar kokių kitų daiktų.
- Visada būkite už gaminio, kai jį naudojate.
- Prižiūrėkite, kad visi ratukai būtų ant žemės ir abi rankas laikykite ant rankenos, kai naudojate gaminį. Saugokite rankas bei kojas ir neikiškite jų prie besisukančių peilių.
- Nepakreipkite gaminio, kai paleidžiate variklį arba naudodami gaminį.
- Būkite atsargūs, kai gaminį traukiate atgal.

- Dirbant varikliui niekada nekelkite gaminio. Jei reikia pakelti gaminį, pirmiausia išjunkite variklį, pasukite apsauginį raktelį į padėtį „0“ ir išimkite akumuliatorių.
- Naudodami gaminį neikite atgal.
- Kai reikia pakreipti gaminį, kad jį būtų galima gabenti, arba prieš pereinant iš vienos vietos kitą sritimi, kurioje nėra žolės, pvz., žvyro, akmenų ar asfalto takais, sustabdykite variklį.
- Dirbant varikliui nebėkite su gaminiu. Naudodami gaminį visada eikite.
- Prieš pakeisdami pjovimo aukštį pirmiausia išjunkite variklį. Niekada nereguliuokite varikliui veikiant.
- Niekada nepaleiskite gaminio iš akių, kai veikia variklis. Išjunkite variklį ir įsitinkinkite, kad pjovimo įranga nesisuka.
- Gaminio vibracijos jam veikiant gali skirtis nuo deklaruojamos vibracijos vertės, nurodytos Techniniai duomenys psl. 229. Skirtumas lemia skirtingas gaminio naudojimas. Jei gaminį naudojate dažnai arba ilgą laiko tarpą, reguliariai darykite pertraukas, kad nesusižeistumėte dėl vibracijų.

Naudojimo saugos instrukcijos

Asmeninės apsauginės priemonės



PERSPĖJIMAS: Prieš naudodami gaminį, perskaitykite toliau esančius įspėjimus.

- Asmeninės apsauginės priemonės nepadės visiškai išvengti pavojaus susižeisti, tačiau nelaimingo atsitikimo atveju mažiau nukentėsite. Leiskite prekybos atstovui padėti pasirinkti tinkamą įrangą.
- Avėkite patvarius, neslystančius batus. Neavėkite atvirų batų ir nebūkite basi.
- Dėvėkite storas, ilgas kelnes.
- Kai būtina, pvz., montuojant, apžiūrint arba valant pjovimo įrangą, užsimaukite apsaugines pirštines.
- Rekomenduojame naudoti apsaugines ausines.

Gaminio apsauginės priemonės



PERSPĖJIMAS: Prieš naudodami gaminį, perskaitykite toliau esančius įspėjimus.

- Nesinaudokite gaminiu, jei jo apsauginės priemonės yra netvarkingos.
- Nepašalinkite ir nemodifikuokite apsauginių priemonių.
- Reguliariai tikrinkite apsaugines priemones. Jei apsauginės priemonės yra pažeistos, pasitarkite su Husqvarna techninės priežiūros atstovu.

Atlikite pjovimo gaubto patikrą.

Pjovimo gaubtas sumažina gaminio vibracijas ir sumažina disko keliamą sužeidimų pavojų.

- Apžiūrėkite pjovimo gaubtą, kad įsitikintumėte, jog nėra pažeidimų, pvz., įtrūkių.

Apsauginio raktelio patikra

Apsauginis raktelis yra po akumulatoriaus gaubtu. Apsauginis raktelis prijungia akumuliatorių, kuris tiekia varikliui energiją.

- Norėdami patikrinti apsauginį raktelį, paleiskite ir sustabdykite variklį.
- Jei apsauginis raktelis veikia tinkamai, variklį galima paleisti tik pasukus raktelį į padėtį „1“. (Pav. 15)

Variklio stabdymo rankenos patikra

Variklio stabdymo rankena sustabdo variklį. Atleidus variklio stabdymo rankeną variklis sustoja.

- Paleiskite gaminį. Žr. Gaminio paleidimas psl. 224.
- Atleiskite variklio stabdymo rankeną. (Pav. 16)
- Įsitinkinkite, kad gaminys sustoja. Jei variklis nesustoja per 3 sekundes, paprašykite, kad įgaliotasis „Husqvarna“ techninės priežiūros atstovas sureguliuotų variklio stabdį.

Apsauga nuo netyčinio užvedimo patikra

Patikrinkite apsaugą nuo netyčinio užvedimo ir įsitinkinkite, kad ji neleidžia užvesti variklio.

1. Pastumkite variklio stabdymo rankeną link gaminio rankenos. Apsauga nuo netyčinio užvedimo neleidžia judėti.
2. Išstumkite apsaugą nuo netyčinio užvedimo. (Pav. 17)
3. Atleiskite apsaugą nuo netyčinio užvedimo ir įsitinkinkite, kad ji grįžta į savo pradinę padėtį.

Akumuliatorių naudojimo sauga



PERSPĖJIMAS: Prieš naudodami gaminį, perskaitykite toliau esančius įspėjimus.

- Kaip susijusių „Husqvarna“ gaminių maitinimo šaltinį naudokite tik „Husqvarna“ įkraunamus akumuliatorius. Kad išvengtumėte sužeidimų, nenaudokite akumulatoriaus kaip kitų gaminių maitinimo šaltinio.
- Nenaudokite neįkraunamų akumuliatorių.
- Elektros smūgio pavojus. Nejunkite akumulatoriaus gnybtų prie raktų, monetų, atsuktuvų ar kitų metalinių daiktų. Galite sukelti akumulatoriaus trumpąjį jungimą.
- Nekiškite objektų į akumulatoriaus oro angas.
- Saugokite akumuliatorių nuo tiesioginių saulės spindulių, karščio ar atviros ugnies. Akumuliatorius gali sprogti ir sukelti terminius ir (arba) cheminius nudegimus.
- Saugokite akumuliatorių nuo lietaus ir drėgmės.
- Saugokite akumuliatorių nuo mikrobangų ir aukšto slėgio.

- Nebandykite akumulatoriaus išmontuoti ar sulaužyti.
- Jei iš akumulatoriaus teka skystis, saugokite nuo jo kūną ir akis. Jei palietėte skystį, gerai nuplaukite šią vietą vandeniu ir kreipkitės pagalbos į medikus.
- Akumuliatorių gaminyje naudokite tik kai aplinkos temperatūra yra nuo 5 °C iki 40 °C.
- Akumulatoriaus įkroviklį naudokite tik kai aplinkos temperatūra yra nuo 5 °C iki 40 °C.
- Jei akumulatoriaus temperatūra yra didesnė nei 50 °C, jo nepavyks įkrauti.
- Nevalykite akumulatoriaus ar įkroviklio vandeniu. Žr. Akumulatoriaus ir akumulatoriaus įkroviklio valymas psl. 226.
- Nenaudokite sugadinto arba pažeisto akumulatoriaus.
- Laikykite akumulatorius atokiau nuo metalinių daiktų, pavyzdžiui, vienių, monetų, juvelyrinių dirbinių.

Įkroviklio sauga



PERSPĖJIMAS: Prieš naudodami gaminį, perskaitykite toliau esančius įspėjimus.

- „Husqvarna“ pakaitiniams akumulatoriams įkrauti naudokite tik QC akumuliatorių įkroviklius.
- Elektros smūgio ar trumpojo jungimo pavojus. Nekiškite objektų į įkroviklio oro angas. Nebandykite išmontuoti akumulatoriaus įkroviklio. Neprijunkite įkroviklio gnybtų prie metalinių daiktų. Naudokite patvirtintą elektros tinklo lizdą.
- Šis gaminys veikdamas sukuria elektromagnetinį lauką. Tam tikromis aplinkybėmis šis laukas gali trikdyti aktyviųjų arba pasyviųjų medicininių implantų veiklą. Kad sumažėtų sunkaus ar netgi mirtino sužeidimo pavojus, medicininių implantų turintiems asmenims rekomenduojame prieš naudojant šį gaminį pasitarti su gydytoju ir implanto gamintoju.
- Nuolat patikrinkite akumulatoriaus įkroviklio maitinimo laidą, ar jis nepažeistas ir nėra įtrūkimų.
- Nekeikite akumulatoriaus įkroviklio už maitinimo laido. Norėdami atjungti akumulatoriaus įkroviklį nuo elektros lizdo, traukite už kištuko. Netraukite už elektros laido.
- Maitinimo laidą ir ilginamuosius kabelius saugokite nuo vandens, alyvos ir aštrių kampų. Būkite atidūs, kad kabelio neprispaustų durys, tvoros ar pan. Priešingu atveju įkrovikliu gali imti tekėti elektros srovė.
- Nevalykite akumulatoriaus įkroviklio vandeniu.
- Akumulatoriaus įkroviklį gali naudoti vaikai nuo 8 metų amžiaus ir kiti asmenys su ribotais fiziniais, jutimaisiais ar protiniais sugebėjimais, arba stokojantys patirties ar žinių, jei yra prižiūrimi arba instruktuoti dėl saugaus akumulatoriaus įkroviklio naudojimo ir supranta gresiančius pavojus. Vaikams

su akumulatoriaus įkrovikliu žaisti negalima. Be priežiūros vaikai neturėtų valyti prietaiso ir atlikti naudotojo atliekamų techninės priežiūros darbų.

- Akumuliatorių įkrovikliu nekraukite neįkraunamų akumuliatorių.
- Nenaudokite akumulatoriaus įkroviklio šalia degių arba koroziją sukeliančių medžiagų. Neuždenkite įkroviklio. Pastebėję dūmus ar liepsną, ištraukite akumulatoriaus įkroviklio kištuką.
- Nenaudokite sugadinto arba pažeisto akumulatoriaus įkroviklio.
- Įkraukite akumuliatorių tik viduje, gerai vėdinamoje patalpoje, saugodami nuo saulės spindulių. Nekraukite akumulatoriaus drėgnomis sąlygomis.

Priežiūros saugos instrukcijos



PERSPĖJIMAS: Prieš naudodami gaminį, perskaitykite toliau esančius įspėjimus.

- Kad atlikdami priežiūros darbus išvengtumėte netyčinio užvedimo, pasukite apsauginį raktelį į padėtį „0“ ir išimkite akumuliatorių. Palaukite bent 5 sekundes ir tik tada pradėkite priežiūros darbus.
- Atlikite tik naudojimo instrukcijoje nurodytus techninės priežiūros darbus. Sudėtingesnius ir profesionalios remonto darbus turi atlikti patvirtintas techninės priežiūros atstovas. Jei reikia daugiau informacijos, kreipkitės į artimiausią techninės priežiūros atstavą.
- Kad gaminys tarnautų ilgiau ir sumažėtų nelaimingų atsitikimų pavojus, tinkamai atlikite priežiūros darbus.
- Pakeiskite pažeistas, sulūžusias arba susidėvėjusias dalis. Visada naudokite gamintojo originalias atsargines dalis. Naudojant kitas atsargines dalis, galima pažeisti gaminį ir gali padidėti nelaimingų atsitikimų pavojus.
- Kad nesusižalotumėte, nepašalinkite ir nemodifikuokite apsauginių priemonių.
- Naudodami pjovimo įrangą, mūvėkite storas darbinės pirštines. Peilis labai aštrus ir gali lengvai įpjauti.
- Kad darbas vyktų saugiai ir efektyviai, pasirūpinkite, kad pjovimo briaunos būtų aštrios.
- Leiskite savo techninės priežiūros atstovui reguliariai tikrinti gaminį ir atlikti reikiamus nustatymo ir remonto darbus.
- Laikykitės priedų keitimo nurodymų. Naudokite tik gamintojo priedus.
- Kai nenaudojate, laikykite gaminį, akumuliatorių ir akumulatoriaus įkroviklį atskirai, sausoje užrakintoje patalpoje. Pasirūpinkite, kad vaikai ir pašaliniai asmenys negalėtų pasiekti gaminio, akumulatoriaus ar akumulatoriaus įkroviklio.

Surinkimas

Įvadas



PERSPĖJIMAS: Prieš surinkdami produktą perskaitykite skyrių apie saugą.



PERSPĖJIMAS: Kad surinkimo metu išvengtumėte netyčinio paleidimo, pasukite apsauginį raktelį į padėtį „0“, išimkite akumuliatorių ir palaukite mažiausiai 5 sekundes.

2. Priveržkite rankenėles. (Pav. 18)
3. Patraukite rankeną atgal, kol ji pasieks galinę padėtį.
4. Nuleiskite aukščio reguliavimo rankenėlę į įstatykite ją į griovelį. (Pav. 19)
5. Koja nuspauskite aukščio reguliavimo rankenėlę. (Pav. 20)

Rankenos aukščio reguliavimas

1. Koja spauskite aukščio reguliavimo rankenėlę.
2. Nustatykite valdymo rankeną į tinkamą padėtį ir paleiskite valdymo rankeną. (Pav. 21)

Rankenos surinkimas

1. Užlenkite viršutinę rankeną į priekį.

Naudojimas

Įvadas



PERSPĖJIMAS: Prieš naudodami gaminį perskaitykite ir supraskite saugos skyriaus informaciją.

Husqvarna Connect

Husqvarna Connect yra nemokama programėlė, skirta mobiliesiems įrenginiams. Programėlė Husqvarna Connect suteikia Husqvarna gaminiui papildomas funkcijas:

- Papildoma informacija apie gaminį.
- Informacija ir patarimai apie gaminio dalis ir priežiūrą.

Norėdami pradėti naudoti Husqvarna Connect

1. Atsisiųskite „Husqvarna Connect“ programėlę į mobilųjį įrenginį.
2. Užsiregistruokite „Husqvarna Connect“ programėlėje.
3. Norėdami prisijungti ir užregistruoti gaminį, vykdykite „Husqvarna Connect“ programėlėje pateiktas instrukcijas.

Gaminio paruošimas naudoti

1. Rankenos montavimas. Žr. Rankenos surinkimas psl. 223.
2. Sureguliuokite rankenos aukštį. Žr. Rankenos aukščio reguliavimas psl. 223.



PASTABA: Įsitinkinkite, kad laidai nėra per stipriai įtempti. Per stipriai įtempus, galima pažeisti laidą rankeną nulenkus į transportavimo padėtį.



PERSPĖJIMAS: Nenaudokite gaminio, kol rankena nebus iki galo užlenkta aukštyn ir nustatyta į vieną iš taikomų aukščio padėčių. Žr. Rankenos aukščio reguliavimas psl. 223.

Pjovimo aukščio nustatymas

Pjovimo aukštį galima nustatyti į 6 skirtingas padėtis.

1. Sustabdykite variklį.
2. Kad padidintumėte pjovimo aukštį, pjovimo aukščio svirtį palenkite atgal. (Pav. 22)
3. Kad sumažintumėte pjovimo aukštį, pjovimo aukščio svirtį palenkite į priekį.



PASTABA: Nenustatykite per žemo pjovimo aukščio. Peiliai gali užkliudyti žemę, jei vejos paviršius nelygus.

Akumuliatorius



PERSPĖJIMAS: Prieš naudodami akumuliatorių perskaitykite ir supraskite saugos skyriaus informaciją. Taip pat turite perskaityti ir suprasti akumuliatoriaus bei akumuliatoriaus įkroviklio naudojimo instrukcijas.

Akumuliatorių ir akumulatoriaus įkroviklį laikykite tinkamoje aplinkos temperatūroje.

	Aplinkos temperatūra
Akumulatoriaus veikimas	5–40 °C
Akumulatoriaus įkrovimas	5–40 °C

Akumulatoriaus būseną

Ekране pateikiama likusi akumulatoriaus talpa ir galimos akumulatoriaus problemos. Akumulatoriaus talpa rodoma 5 sekundes po gaminio išjungimo arba po akumulatoriaus mygtuko paspaudimo. Akumulatoriaus įspėjimo simbolis užsidega, kai įvyksta klaida. Žr. Akumulatorius psl. 227.

(Pav. 23)

Šviesos diodai	Akumulatoriaus būseną
Šviečia visi diodai	Visiškai įkrautas (75–100 %)
Šviečia 1, 2 ir 3 diodai	Akumulatorius įkrautas 50–75 %
Šviečia 1, 2 diodai	Akumulatorius įkrautas 25–50 %
Šviečia 1 diodas	Akumulatorius įkrautas 0–25 %
Mirksi 1 diodas	Akumulatorius tuščias. Įkraukite akumuliatorių.

Akumulatoriaus įkrovimas

Prieš naudodami pirmą kartą, akumuliatorių įkraukite. Klientui pateikiamas akumulatorius yra įkrautas tik 30 %.

Pasižymėkite: Akumuliatorių įkroviklį būtina prijungti prie parametrų plokštelėje nurodytos įtampos ir dažnio maitinimo lizdo.

Akumulatorius neįkraunamas, jei jo temperatūra aukštesnė nei 50 °C. Prieš pradėdamas įkrauti, akumulatoriaus įkroviklis sumažina akumulatoriaus temperatūrą.

1. Prijunkite vieną akumulatoriaus įkroviklio maitinimo laido galą prie akumulatoriaus įkroviklio lizdo.
2. Prijunkite kitą akumulatoriaus įkroviklio maitinimo laido galą prie įžeminto elektros lizdo. Akumulatoriaus įkroviklio LED indikatorius vieną kartą sumirksės žaliai. (Pav. 24)
3. Akumuliatorių įstatykite į įkroviklį. Prijungus akumuliatorių prie akumulatoriaus įkroviklio, įkroviklyje įsijiebia žalia lemputė. (Pav. 25)

4. Įsijiebus visiems akumulatoriaus LED indikatoriams, akumulatorius yra visiškai įkrautas. Akumuliatorių kraukite daugiausia 24 valandas.
5. Norėdami atjungti akumulatoriaus įkroviklį nuo elektros lizdo, traukite už kištuko, o ne už maitinimo laido.
6. Iš įkroviklio išimkite akumuliatorių.

Akumulatoriaus įkrovimo būseną

Husqvarna Ličio jonų akumulatorius galima krauti nepaisant jų įkrovimo lygio. Akumulatorius nepažeistas. Visiškai įkrautas akumulatorius nepraras savo krūvio, net jį palikus įkroviklyje.

LED ekranas	Įkrovimo būseną
Mirksi 1 diodas	0–25 %
1 diodas mirksi, 2 šviečia	25–50 %
1, 2 diodas šviečia, 3 mirksi	50–75 %
1, 2, 3 diodai šviečia, 4 mirksi	75–100 %
Šviečia 1, 2, 3, 4 šviesos diodai	Visiškai įkrautas

Gaminio paleidimas

1. Atidarykite akumulatoriaus gaubtą.
2. Įdėkite įkrautą akumuliatorių į akumulatoriaus laikiklį.
3. Pasukite apsauginį raktelį į padėtį „1“. (Pav. 26)
4. Stovėkite už gaminio.
5. Atleiskite apsaugą nuo netyčinio paleidimo. (Pav. 17)
6. Pastumkite variklio stabdymo rankeną link gaminio rankenos. (Pav. 27)

Kaip naudoti SaveE™ funkciją

Gaminys turi akumulatoriaus energijos taupymo funkciją (SaveE™), kuri užtikrina ilgesnę veikimo trukmę.

- Paspauskite mygtuką „SaveE™“ į 1 padėtį, kad paleistumėte funkciją. (Pav. 28)
- Paspauskite mygtuką „SaveE™“ į 0 padėtį, kad sustabdytumėte funkciją.

Pasižymėkite: Funkcija „SaveE™“ automatiškai sustoja, jei dėl žemės sąlygų reikalinga didesnė galia. Funkcija „SaveE™“ vėl automatiškai paleidžiama, kai tai leidžia žemės sąlygos.

Didelės apkrovos funkcija

Gaminį pjaunant aukštą ar šlapią žolę, variklio sūkliai automatiškai padidinami. Kai didelės apkrovos funkcija nebūtina, variklis vėl pradeda veikti standartiniu režimu.

El. variklio užgesimas

Naudojant gaminį, peilis ir variklis gali laikinai sustoti dėl kliūčių, pvz., užsikimšimo žolė po pjovimo įrangos gaubtu. Jei taip nutinka ir laikote el. variklio stabdymo rankeną nuspausta, gaminys bando automatiškai pasileisti iš naujo. Jei gaminys iš naujo nepasileidžia per 5–10 sekundžių, gali reikėti nuvalyti sritį po pjovimo įrangos gaubtu. Žr. Gaminio valymas psl. 226.



PERSPĖJIMAS: Jei el. variklis sustoja, gaminys 5–10 sekundžių bando automatiškai pasileisti iš naujo. Palaukite mažiausiai 15 sekundžių ir tik tuomet tikrinkite pjovimo įrangos gaubtą.



PERSPĖJIMAS: Prieš tikrindami pjovimo įrangos gaubtą, atleiskite el. variklio stabdymo rankeną, pasukite apsauginį raktelį į padėtį „0“, išimkite akumuliatorių ir palaukite mažiausiai 5 sekundes. Jei klišis pašalinama ir gaminys netyčia paleidžiamas, kyla pavojus susižaloti.

Gaminio sustabdymas



PERSPĖJIMAS: Prieš palikdami gaminį be priežiūros, pasukite apsauginį raktelį į 0 padėtį.

Techninė priežiūra

Įvadas



PERSPĖJIMAS: Prieš atlikdami priežiūros darbus perskaitykite ir supraskite saugos skyriaus informaciją.

Visiems gaminio techninės priežiūros ir remonto darbams reikia specialių apmokymų. Garantuojame profesionalumą remonto ir techninės priežiūros darbų pasiekiamumą. Jei jūsų pardavėjas nėra techninės priežiūros atstovas, paprašykite jo informacijos apie artimiausią techninės priežiūros atstovą.

1. Norėdami sustabdyti variklį, atleiskite variklio stabdymo rankeną. (Pav. 29)
2. Atidarykite akumuliatoriaus gaubtą ir pasukite apsauginį raktelį į padėtį „0“. (Pav. 30)
3. Norėdami išimti akumuliatorių, paspauskite 2 atlaisvinimo mygtukus ir ištraukite akumuliatorių. (Pav. 31)
4. Jei akumuliatoriaus įkrova žema, įkraukite jį. Daugiau informacijos žr. Akumuliatoriaus įkrovimas psl. 224.

Gerų rezultatų gavimas

- Visada naudokite pagalastą peilį. Atšipęs peilis netaisyklingai nupjauna ir žolės paviršius pagelsta. Be to, aštrus peilis naudoja mažiau energijos nei atšipęs.
- Nepjaukite daugiau nei 1/3 žolės ilgio. Pirmiausia nupjaukite nustatę didelį aukštį. Patikrinkite rezultatą ir sumažinkite pjovimo aukštį iki tinkamo lygio. Jeigu žolė tikrai aukšta, judėkite lėtai ir, jei reikia, pjaukite 2 kartus.
- Kiekvieną kartą pjaukite skirtingomis kryptimis, kad vejoje nesusidarytų dryžiai.
- Pjovimo dangtis turi būti visuomet švarus. Prikibusį žolė ir purvas vidinėje pjovimo dangčio dalyje gali turėti įtakos pjovimo rezultatams. Žr. Gaminio valymas psl. 226.

Išsamesnės informacijos žr. www.husqvarna.com.

Techninės priežiūros grafikas

Techninės priežiūros intervalai apskaičiuojami pagal kasdienį gaminio naudojimą. Intervalai keičiasi, jei gaminys nenaudojamas kasdien.

Techninės priežiūros informacijos, pažymėtos *, žr. instrukcijoje, pateikiamose Sauga psl. 218.

	Kiekvieną kartą naudojant	Kas mėnesį	Kas sezoną
Atlikite bendrąją apžiūrą.	X		
Nuvalykite gaminį.	X		
Nuvalykite sritį prie rankenos aukščio reguliavimo rankenėlės.	X		
Patikrinti apsaugą nuo netyčinio paleidimo. *	X		

	Kiekvie- ną kartą naudo- jant	Kas mė- nesį	Kas se- zoną
Įsitikinti, kad gaminio saugos įtaisai nepažeisti. *	X		
Patikrinti pjovimo įrangą.	X		
Patikrinti pjovimo įrangos gaubtą. *	X		
Patikrinti variklio stabdymo rankeną. *	X		
Patikrinti, ar nepažeistas akumuliatorius.	X		
Patikrinti akumuliatoriaus įkrovą.	X		
Patikrinti, ar tinkamai veikia akumuliatoriaus atlaisvinimo mygtukai ir ar akumu- liatorius užsifiksuoja gaminyje.	X		
Patikrinti, ar nepažeistas akumuliatoriaus įkroviklis, ir įsitikinti, kad jis veikia tin- kamai		X	
Patikrinti jungtis tarp akumuliatoriaus ir gaminio. Taip pat patikrinti jungtį tarp akumuliatoriaus ir akumuliatoriaus įkroviklio.			X

Bendroji apžiūra

- Įsitikinkite, kad gaminio veržlės ir varžtai priveržti.
- Įsitikinkite, kad gaminio kabeliai nėra tokioje padėtyje, kurioje jie galėtų būti pažeisti.

Gaminio valymas

- Plastikines dalis valykite švaria ir sausa šluoste.
- Valydami gaminį nenaudokite vandens. Vandeniui pateikus į akumuliatorių arba variklį gali įvykti trumpasis jungimas arba gaminys gali sugesti.
- Gaminio neplaukite aukšto slėgio plovimo aparatu.
- Nepilkite vandens tiesiai ant variklio.
- Lapus, žolę ir purvą nuvalykite šepečiu.

Akumuliatoriaus ir akumuliatoriaus įkroviklio valymas



PERSPĖJIMAS: Nevalykite akumuliatoriaus ar įkroviklio vandeniu.



PERSPĖJIMAS: Akumuliatoriui valyti nenaudokite jokių cheminių medžiagų.

- Prieš prijungdami akumuliatorių prie įkroviklio, įsitikinkite, kad akumuliatorius ir akumuliatoriaus įkroviklis yra švarūs ir sausi.
- Nupūskite akumuliatoriaus gnybtus suspaustu oru ir nuvalykite švelnia ir sausa šluoste.
- Nuvalykite akumuliatorių ir akumuliatoriaus įkroviklį švelnia ir sausa šluoste.

Srities apie rankenos aukščio reguliavimo rankenėlę valymas

- Lapus, žolę ir purvą nuvalykite šepečiu. (Pav. 32)

Pjovimo įrangos patikrinimas



PERSPĖJIMAS: Kad išvengtumėte netyčinio paleidimo, pasukite apsauginį raktelį į padėtį „0“, išimkite akumuliatorių ir palaukite mažiausiai 5 sekundes.



PERSPĖJIMAS: Pjovimo įrangos techninės priežiūros darbus atlikite apsimovę apsaugines pirštines. Peilis labai aštrus ir gali lengvai įpjauti.

1. Patikrinkite, ar pjovimo įrangą nepažeista ir neįskilusi. Visada pakeiskite pažeistą pjovimo įrangą.
2. Apžiūrėkite peilį, ar jis nepažeistas ir neatšipęs.

Pasižymėkite: Pagalاندus peilį jį reikia subalansuoti. Pagalasti, pakeisti ir subalansuoti peilį turi techninės priežiūros centro darbuotojai. Jei susidūrėte su kliūtimi, dėl kurios įrenginys sustojo, pakeiskite pažeistą peilį. Leiskite techninės priežiūros centro darbuotojams nuspręsti, ar peilį dar galima galasti, ar jau reikia keisti.

Disko keitimas

Žr. Techniniai duomenys psl. 229 apie tinkamą peilio tipą žr.



PERSPĒJIMAS: Uzfiksokite peilj medžio bloku, kad keisdami peilj nesusižalotumėte pirštų. Kai variklis išjungtas, peilj galima judinti ir pirštai gali įstrigti tarp peilio ir nejudančių dalių.

1. Uzfiksokite peilj medžio bloku. (Pav. 33)
2. Išimkite peilio varžtą, spyruoklinę poveržlę ir peilj. (Pav. 34)
3. Patikrinkite peilio atramą ir peilio tvirtinimo varžtą, ar jie nepažeisti.
4. Patikrinkite variklio veleną, kad įsitikintumėte, ar jis nesulenktas.
5. Įdėję naują peilj nukreipkite jo kampus pjovimo įrangos gaubto kryptimi. (Pav. 35)

6. Įsitinkite, kad peilis sulygiuotas su variklio veleno centru.
7. Uzfiksokite peilj medžio bloku. Uždėkite spyruoklės poveržlę ir pritvirtinkite varžtą ir poveržlę 23–28 Nm sukimo momento jėga. (Pav. 36) (Pav. 34)
8. Ranka pasukite peilj ir patikrinkite, ar jis laisvai sukasi.



PERSPĒJIMAS: Apsimaukite pirštines sunkiam darbui. Peilis labai aštrus ir gali lengvai įpjauti.

9. Paleiskite gaminį, kad išbandytumėte peilj. Jei peilis netinkamai uždėtas, gaminys vibruoja arba pjaunama nepakankamai gerai.

Gedimai ir jų šalinimas

Akumulatorius

Akumulatoriaus šviesos diodas	Priežastis	Sprendimas
Mirkis žalias šviesos diodas.	Akumulatoriaus įtampa žema.	Įkraukite akumuliatorių. Žr. Akumulatoriaus įkrovimas psl. 224.
Mirkis klaidos šviesos diodas.	Silpna akumulatoriaus įkrova.	Įkraukite akumuliatorių. Žr. Akumulatoriaus įkrovimas psl. 224.
	Temperatūra darbo aplinkoje per aukšta arba per žema.	Akumuliatorių naudokite nuo 5 °C iki 40 °C temperatūroje.
	Viršįtampis.	Įsitinkite, kad maitinimo tinklo įtampa atitinka gaminio duomenų lentelėje nurodytą įtampą. Iš įkroviklio išimkite akumuliatorių. Palaukite 5 sekundes ir vėl pabandykite įkrauti akumuliatorių. Jei problema išlieka, pasikonsultuokite su patvirtintu techninės priežiūros atstovu.
Šviečia klaidos šviesos diodas.	Elementų skirtumas per didelis (1 V).	Kreipkitės į patvirtintą techninės priežiūros atstovą.

Akumulatoriaus įkroviklis

Akumulatoriaus įkroviklio šviesos diodas	Priežastis	Sprendimas
Mirkis klaidos šviesos diodas.	Temperatūra darbo aplinkoje per aukšta arba per žema.	Akumulatoriaus įkroviklį naudokite nuo 5 °C iki 40 °C temperatūroje.
Šviečia klaidos šviesos diodas.		Kreipkitės į patvirtintą techninės priežiūros atstovą.

Vejapjovė

Išpėjimo indikatorius (klaidos LED) yra po akumulatoriaus gaubtu.

Problema	Klaidos šviesos diodas (mirksnių skaičius)	Priežastis	Sprendimas
Mirksi klaidos diodas. Gaminys neveikia tinkamai.	5	Peilis blokuojamas.	Pasukite apsauginį raktelį į „0“ padėtį, kad gaminys netyčia nebūtų paleistas. Išimkite akumuliatorių ir palaukite bent 5 sekundes. Pašalinkite galimas kliūtis ir įsitinkinkite, kad peilis gali laisvai sukstis. Jei problema išlieka, pasikonsultuokite su patvirtintu techninės priežiūros atstovu.
		Variklio greitis per daug sumažėja ir variklis sustoja.	Padidinkite pjovimo aukštį. Žr. Pjovimo aukščio nustatymas psl. 223.
	10	Per daug įkaitęs variklio valdiklis.	Išjunkite variklį ir palaukite, kol jis atvės.
Mirksi klaidos diodas. Gaminys sustoja.	0	Akumulatoriaus jungties gedimas.	Patikrinkite akumulatoriaus jungtį.
	3	Variklio perkrova.	Padidinkite pjovimo aukštį. Žr. Pjovimo aukščio nustatymas psl. 223.
	8	Silpna akumulatoriaus įkrova.	Įkraukite akumuliatorių. Žr. Akumulatoriaus įkrovimas psl. 224.
	9	Akumulatoriaus klaida arba nėra akumulatoriaus signalo.	Tinkamai įstatykite akumuliatorių į gaminį ir patikrinkite akumulatoriaus jungtį. Jei klaidos diodas akumulatoriuje mirksi. Žr. Akumulatoriaus būseną psl. 224.
	12	Netinkama paleidimo procedūra. Variklio stabdymo rankena suaktyvinta prieš užvedant variklį.	Atleiskite variklio stabdymo rankeną ir palaukite apie 5 sekundes. Dar kartą paspauskite variklio stabdymo rankeną žemyn, kad paleistumėte gaminį.
Kitos klaidos.	Jei atsiranda kitų klaidų, pasukite apsauginį raktelį į padėtį „0“, išimkite akumuliatorių ir kreipkitės į patvirtintą techninės priežiūros atstovą.		

Transportavimas, saugojimas ir utilizavimas

Įvadas



PERSPĖJIMAS: Kad gabenant arba sandėliuojant išvengtumėte netyčinio paleidimo, pasukite apsauginį raktelį į padėtį „0“, išimkite akumuliatorių ir palaukite mažiausiai 5 sekundes.

Gaminio nustatymas į gabenimo padėtį

1. Koja paspauskite aukščio reguliavimo rankenėlę. (Pav. 37)
2. Patraukite rankeną ir iš griovelio iškelkite aukščio reguliavimo rankenėlę.
3. Lenkite rankeną į priekį, kol ji pasieks galinę padėtį. (Pav. 38)
4. Lenkite aukščio reguliavimo rankenėlę link pjovimo gaubto. (Pav. 39)

5. Atlaisvinkite rankenos rankenėles. (Pav. 40)
6. Atlenkite viršutinę rankeną atgal. (Pav. 41)

Transportavimas

- Įdėtiems ličio jonų akumulatoriams taikomos pavojingų krovinių gabenimo taisyklės.
- Jeigu kroviny s gabenamas komerciniu transportu, būtina laikytis specialių reikalavimų dėl pakavimo ir žymėjimo.
- Ruošdamiesi gaminį transportuoti, užtikrinkite, kad būtų laikomasi pavojingų medžiagų tvarkymo taisyklių. Gali būti taikomi vietos teisės aktai.
- Transportavimo metu visuomet išimkite akumulatorių.
- Ant akumulatoriaus jungčių užklijuokite izoliacinę juostą ir įsitikinkite, kad transportuojant akumulatorius nejudės.
- Transportuodami gaminį, jį pritvirtinkite.

Laikymas

- Prieš sandėliuodami, leiskite gaminiui atvėsti.
- Sandėliuodami visuomet išimkite akumulatorių.
- Kad išvengtumėte nelaimingų atsitikimų, įsitikinkite, jog akumulatorius sandėliuojant nėra prijungtas prie gaminio.
- Akumulatoriaus įkroviklį laikykite uždaroje ir sausoje aplinkoje.
- Akumulatorių ir akumulatoriaus įkroviklį laikykite sausoje ir šiltoje vietoje.
- Sandėliuodami atjunkite akumulatorių nuo akumulatoriaus įkroviklio.
- Nelaikykite akumulatoriaus tokioje vietoje, kur gali susidaryti statinis krūvis. Nelaikykite akumulatoriaus metalinėje dėžutėje.

- Gaminį saugokite vietoje, kurios aplinkos temperatūra yra nuo $-10\text{ }^{\circ}\text{C}$ iki $40\text{ }^{\circ}\text{C}$.
- Akumulatorių laikykite vietoje, kurios aplinkos temperatūra yra nuo $5\text{ }^{\circ}\text{C}$ iki $25\text{ }^{\circ}\text{C}$ ir kurios nepasiekia tiesioginiai saulės spinduliai.
- Akumulatoriaus įkroviklį laikykite vietoje, kurios aplinkos temperatūra yra nuo $5\text{ }^{\circ}\text{C}$ iki $45\text{ }^{\circ}\text{C}$ ir kurios nepasiekia tiesioginiai saulės spinduliai.
- Prieš sandėliuodami ilgesnį laiką pasirūpinkite, kad akumulatorius būtų įkrautas 30–50 %.
- Gaminį, akumulatorių ir akumulatoriaus įkroviklį laikykite rakinamoje patalpoje, kur jų negalėtų pasiekti vaikai ir pašaliniai asmenys.
- Nuvalykite gaminį ir įsitikinkite, kad žolės rinktuvas yra tuščias.
- Atlikite naudojimo instrukcijoje nurodytas techninės priežiūros procedūras. Žr. Techninės priežiūros grafikas psl. 225.
- Prieš sandėliuodami gaminį ilgesnį laiką, atlikite visus techninės priežiūros darbus.

Utilizavimas

Ant gaminio ar ant jo pakuotės pateikti simboliai rodo, kad šio gaminio negalima išmesti kartu su buitiniemis atliekomis. Įrenginį reikia atiduoti į atitinkamą perdirbimo įmonę, kuri utilizuotų elektrines ir elektronines dalis.

Rūpindamiesi, kad šis gaminys būtų tvarkomas teisingai, padedate išvengti galimo neigiamo poveikio aplinkai ir žmonėms, kurį gali sukelti netinkamas šio gaminio atliekų tvarkymas. Jei reikia daugiau informacijos apie šio gaminio perdirbimą, kreipkitės į savivaldybę, buitinių atliekų tvarkymo tarnybą arba parduotuvę, kurioje įsigijote gaminį.

(Pav. 42)

Techniniai duomenys

LB 144i	
Peilių variklis	
Variklio tipas	BLDC (be šepetėlių) 36 V
Variklio greitis – „SavE“, rpm	2600/min
Variklio greitis – nominalus, rpm	3200/min
Variklio greitis – didelė apkrova, rpm	3500/min
Variklio galingumas – maks., kW	0,9
Variklio galingumas – nominalus, kW	0,75
Pavaros variklis	
Variklio galingumas – nominalus, kW	Netaikoma
Savaeigis greitis, km/h	Netaikoma

	LB 144i
Greičio reguliavimo lygiai	Netaikoma
Svoris	
Svoris (be akumulatoriaus), kg	15,5
Svoris (su 1x „BLi30“), kg	17,5
Akumulatorius	
Akumulatoriaus tipas	„Husqvarna“ akumuliatorių serija
Akumulatoriaus veikimo laikas	
Akumulatoriaus veikimo laikas, min, (laisva eiga) įjungus „Save“ funkciją, su vienu „Husqvarna“ 7,5 Ah akumulatoriumi („BLi30“).	170
Akumulatoriaus veikimo laikas, min, (laisva eiga) standartiniu režimu, su vienu „Husqvarna“ 7,5 Ah akumulatoriumi (BLi30).	135
Skleidžiamas triukšmas ⁴⁰	
Garso galios lygis, išmatuotas dB (A)	90
Garso galios lygis, garantuojamas L _{WA} dB (A)	92
Garso lygiai ⁴¹	
Naudotojo ausį veikiantis garso slėgis, dB (A)	77
Vibracijos lygis ⁴²	
Rankena, m/s ²	0,7
Pjovimo įranga	
Pjovimo aukštis, mm	25–75
Pjovimo plotis, cm	44
Peilio standartas	Mulčiavimo 5298073-10
Peilio priedai	Netaikoma

Patvirtinti akumulatoriai	Tipas	Akumulatoriaus talpa, Ah	Įtampa, V	Svoris, svar. / kg
40-B140	Ličio jonų	4,0	36	2,6 / 1,2
BLi30	Ličio jonų	7,5	36	4,2 / 1,9

⁴⁰ Triukšmas, skleidžiamas į aplinką, išmatuotas kaip garso galia (L_{WA}) pagal EB direktyvą 2000/14/EB.

⁴¹ Nurodyto triukšmo slėgio lygio paklaidos veiksnys (K) – 1,5 dB(A).

⁴² Nurodytų vibracijos lygių paklaidos veiksnys (K) – 1,5 m/s². Nurodyta suminė vibracijos vertė išmatuota pagal EN 62841-4-3, I priedą, ir ją galima naudoti norint palyginti vieną įrenginį su kitu bei atliekant preliminarų poveikio vertinimą.

Patvirtinti įkrovikliai nurodytiems akumulatoriams, BLi	Įvado įtampa, V	Dažnis, Hz	Galia, W
40-C80	100–240	50–60	68,8
QC250	220–240	50	250

Atitikties deklaracija

ES atitikties deklaracija

Mes, **Husqvarna AB**, SE-561 82 Huskvarna, Švedija, tel.
+46-36-146500, atsakingai patvirtiname, kad gaminys:

Aprašymas	Vejapjovė
Gamintojas	Husqvarna
Tipas / modelis	LB 144i
Identifikacijos numeris	Serijos numeriai nuo šios datos: 2022 ir vėlesni

visiškai atitinka šias ES direktyvas ir reglamentus:

Reglamentas	Aprašymas
2006/42/EB	„dėl mašinų“
2014/30/ES	„dėl elektromagnetinio suderinamumo“
2000/14/EB	„dėl į aplinką sklaidžiamo triukšmo“
2011/65/ES	„dėl tam tikrų pavojingų medžiagų naudojimo elektros ir elektroninėje įrangoje apribojimo“

ir kad laikomasi šių standartų ir (arba) techninių specifikacijų: EN 62841-1:2015/AC:2015, EN IEC 62841-4-3:2021/A11:2021, EN ISO 12100:2010, EN 55014-1:2021, EN 55014-2:2021, EN IEC 61000-6-2:2019, EN IEC 61000-6-3:2021, EN IEC 63000:2018

Notifikuotoji įstaiga: 0404, RISE SMP Svensk Maskinprovning AB, Box 4053, SE-904 03 Umeå, Sweden patvirtino atitiktį Tarybos direktyvai 2000/14/EB; atitikties įvertinimo procedūra: VI priedas.

Daugiau informacijos apie triukšmo emisiją žr Techniniai duomenys psl. 229.

Huskvarna, 2022-12-05



Claes Losdal, plėtros vadovas / sodo gaminiai,
„Husqvarna AB“

Atsakingas už techninę dokumentaciją



Saturs

levads.....	233	Problēmu novēršana.....	243
Drošība.....	234	Pārvadāšana, glabāšana un utilizēšana.....	245
Montāža.....	239	Tehniskie dati.....	245
Lietošana.....	239	Atbilstības deklarācija.....	248
Apkope.....	241		

Ievads

Izstrādājuma apraksts

Izstrādājums ir gājēja vadīts rotējošs zāles pļāvējs, kas izmanto BioClip zāles sagriešanai, lai to izmantotu kā mēslojumu.

Izstrādājuma pārskats

(Att. 1)

1. Rokturis/roktura stienis
2. Motora bremžu rokturis
3. Iedarbināšanas ierobežotājs
4. Pacelšanas rokturi
5. Pļaušanas bloks
6. Griešanas augstuma svira
7. Drošības atslēga
8. Akumulatora pārsegs
9. Roktura augstuma regulēšanas svira
10. Poga Save
11. Bīdinājuma indikators (kļūdas LED)
12. Lietošanas rokasgrāmata
13. Akumulatora lādētājs (piederums)
14. Akumulators (piederums)

Simboli uz izstrādājuma

(Att. 2) BRĪDINĀJUMS.

(Att. 3) Izlasiet norādījumus.

(Att. 4) BRĪDINĀJUMS. Sargieties no izvīstiem priekšmetiem.

(Att. 5) Nepieļaujiet citu personu atrašanos darba zonā.

(Att. 6) BRĪDINĀJUMS. Netuviniet rokas un kājas asmeņiem.

(Att. 7) BRĪDINĀJUMS. Pirms apkopes atvienojiet akumulatoru.

(Att. 8) Izstrādājums vai iepakojums nav sadzīves atkritumi. Likvidējiet to elektrisko un elektronisko ierīču pārstrādes uzņēmumā.

Paredzētā lietošana

Izmantojiet izstrādājumu, lai apgrieztu zāli. Nelietojiet izstrādājumu citiem uzdevumiem.

(Att. 9) Trokšņa emisijas vidē uzlīme atbilstoši ES un Apvienotās Karalistes direktīvām un noteikumiem, kā arī Jaundienvidvells tiesību aktam "Darba vides aizsardzības (trokšņa kontroles) regula (2017)". Izstrādājuma garantētais skaņas jaudas līmenis ir norādīts Tehniskie dati lpp. 245 un uz etiķetes.

(Att. 10) Šis piederums atbilst spēkā esošajām EK direktīvām.

(Att. 11) Šis izstrādājums atbilst spēkā esošajiem AK noteikumiem.

(Att. 12) Produkts ir aizsargāts pret šķidrums iekļūšanu tajā.

(Att. 13) Atļaidiet motora bremžu rokturi, lai apturētu.

(Att. 14) Skenējams kods.

Piezīme: Pārējie uz izstrādājuma norādītie simboli/norādes atbilst dažu valstu sertifikācijas prasībām.

Atbildība par izstrādājuma kvalitāti

Saskaņā ar likumiem par izstrādājuma kvalitāti mēs neuzņemamies atbildību par bojājumiem, ko radījis mūsu izstrādājums, ja:

- ir veikts nepareizs izstrādājuma remonts;
- izstrādājuma remonts ir veikts, izmantojot detaļas, ko nav nodrošinājis vai apstiprinājis ražotājs;
- izstrādājumam tiek pievienots piederums, ko nav nodrošinājis vai apstiprinājis ražotājs;
- izstrādājuma remonts nav veikts pilnvarotā remontdarbnicā vai pie pilnvarota speciālista.

Drošības definīcijas

Brīdinājumi, norādes "Uzmanību!" un piezīmes tiek izmantotas, lai izceltu īpaši svarīgas lietotāja rokasgrāmatas daļas.



BRĪDINĀJUMS: Tiek izmantota tad, ja rokasgrāmatā sniegto instrukciju neievērošanas dēļ operatoram vai blakus esošajām personām draud traumu vai nāves risks.



IEVĒROJIET: Tiek izmantota tad, ja rokasgrāmatā sniegto instrukciju neievērošanas dēļ rodas izstrādājuma, citu materiālu vai blakus esošās teritorijas bojājuma risks.

Piezīme: Tiek izmantota, lai sniegtu plašāku informāciju, kas nepieciešama attiecīgajā situācijā.

Vispārīgi izstrādājuma drošības brīdinājumi



BRĪDINĀJUMS: Izlasiet visus drošības brīdinājumus, norādījumus, apskatiet attēlus un tehniskos datus, kas iekļauti šī izstrādājuma komplektā. Tālāk norādīto brīdinājumu un norādījumu neievērošana var radīt strāvas triecienu, aizdegšanos un/vai nopietnas traumas.

Saglabājiet visus brīdinājumus un norādījumus turpmākām uziņām. Brīdinājumos izmantotais termins "izstrādājums" attiecas uz elektrisku izstrādājumu (ar barošanas kabeli) vai uz izstrādājumu ar akumulatoru (bez barošanas kabeļa).

Darba zonas drošība

- Darba zonai jābūt tīrai un labi apgaismotai. Nekārtīgās un tumšās vietās bieži notiek negadījumi.
- Nelietojiet izstrādājumu sprādzienbīstamā vidē, piemēram, viegli uzliesmojošu šķidrums, gāzu vai putekļu tuvumā. Produkts rada dzirksteles, kas var izraisīt putekļu vai izgarojumu aizdegšanos.
- Produkta lietošanas laikā neļaujiet tuvumā atrasties bērniem un citām personām. Uzmanības novēršanas dēļ varat zaudēt kontroli.

Elektrodrošība

- Izstrādājuma kontaktspraudņiem jāatbilst elektrotīkla kontaktlīdždām. Nekādā gadījumā nepārveidojiet kontaktspraudni! Iezemētiem izstrādājumiem nedrīkst izmantot nekādus pārejas spraudņus.

Nepārveidot kontaktspaudņi un atbilstošas kontaktlīdždas samazina strāvas triecienu risku.

- **Nepieļaujiet ķermeņa saskari ar iezemētām virsmām, piemēram, caurulēm, radiatoriem, plītim un ledusskapjiem.** Ja ir izveidojies ķermeņa zemējums, pastāv paaugstināts strāvas triecienu risks.
- **Nepaļaujiet izstrādājumus lietot vai mitruma iedarbībai.** Ūdens, kas iekļuvis izstrādājumā, palielina elektriskās strāvas triecienu risku.
- **Lietojot kabeli, ievērojiet piesardzību.** Nekad neizmantojiet barošanas kabeli ierīces pārnēsāšanai, vilkšanai vai atvienošanai no kontaktlīdždas. Sargiet kabeli no karstuma, eļļas, asām malām un kustīgām detaļām. Bojāti vai savijušies vadi paaugstina strāvas triecienu risku.
- **Lietojot izstrādājumu ārpus telpām, izmantojiet piemērotu ārpustelpu pagarinātāju.** Lietošanai ārpus telpām piemērota pagarinātāja lietošana samazina elektriskās strāvas triecienu risku.
- **Ja no izstrādājuma lietošanas mitros apstākļos nevar izvairīties, izmantojiet paliekošās strāvas ierīci (Residual Current Device, RCD).** Izmantojot RCD, tiek samazināts elektriskās strāvas triecienu risks.

Individuālā aizsardzība

- **Lietojot izstrādājumu, ievērojiet piesardzību, pārdomājiet savas darbības un rīkojieties saprātīgi.** Nelietojiet izstrādājumu, kad esat noguris vai narkotiku, alkohola vai zāļu iespaidā. Pat neuzmanības mirklis, lietojot izstrādājumu, var radīt smagu traumu.
- **Lietojiet individuālos aizsardzības līdzekļus. Vienmēr lietojiet acu aizsargus.** Individuālo aizsardzības līdzekļu, piemēram, putekļu maskas, aizsargapavu ar neslīdošām zolēm, ķiveres vai dzirdes aizsarglīdzekļu, lietošana attiecīgos apstākļos samazina traumu gūšanas risku.
- **Nepieļaujiet nejaušu ieslēgšanu.** Pirms produkta pievienošanas strāvas padeves avotam un/vai akumulatoram, pacelšanas vai pārvietošanas pārbaudiet, vai slēdzis ir izslēgtā stāvoklī. Izstrādājuma pārnēsāšana, turot pirkstu uz slēdža, vai izstrādājuma pieslēgšana barošanai, ja ir ieslēgts slēdzis, var izraisīt negadījumus.
- **Pirms produkta ieslēgšanas noņemiet regulēšanas atslēgu vai uzgriežņu atslēgu.** Uz produkta rotējošajām detaļām atstāta uzgriežņu atslēga vai atslēga var radīt traumu.
- **Nesniedzieties pārāk tālu.** Vienmēr stāviet stabili un saglabājiet līdzsvaru. Tādējādi var labāk vadīt produktu negaidītās situācijās.
- **Attiecīgi apģērbieties.** Nevalkājiet vaļīgu apģērbu vai rotaslietas. Nepieļaujiet matu un apģērba saskari ar kustīgajām daļām. Vaļīgas drēbes, rotaslietas vai gari mati var iekļerties kustīgajās detaļās.

- Ja komplektācijā ir iekļautas pievienojamas putekļu iesūkšanas ierīces un savākšanas tvertnes, pārbaudiet, vai tās ir pietiprinātas un tiek pareizi izmantotas. Putekļu savākšanas līdzekļu izmantošana var samazināt putekļu radītos draudus.
- Nekļūstiet nevērīgs pret darbarīka drošas izmantošanas principiem un neignorējiet tos pat tad, ja bieži izmantojat darbarīkus un esat ļoti apguvis to lietošanu. Neuzmanīga rīcība var izraisīt nopietnu traumu vienā acumirklī.

Izstrādājuma lietošana un apkope

- Nespiediet produktu ar spēku. Izmantojiet konkrētajam darbam piemērotu produktu. Izmantojot pareizo produktu ar tam paredzēto ātrumu, darbu var paveikt labāk un drošāk.
- Nelietojiet produktu, ja, nospiežot slēdzi, tas neieslēdzas vai neizslēdzas. Produkts, kuru nevar vadīt, izmantojot slēdzi, rada draudus un ir jāremontē.
- Pirms jebkādu regulēšanas darbu veikšanas, piederumu maiņas vai izstrādājuma novietošanas uzglabāšanai atvienojiet kontaktspraudni no barošanas avota un/vai izņemiet akumulatoru. Šādi piesardzības pasākumi samazina produkta nejaušas palaišanas risku.
- Ja izstrādājumu neizmantojat, novietojiet to bērniem nepieejamā vietā un nelaujiet to lietot personām, kas nepazīna tā lietošanu vai šeit sniegtos norādījumus. Nonākot rokās lietotājam bez atbilstošām zināšanām, izstrādājumi ir bīstami.
- Veiciet izstrādājumu un piederumu tehnisko apkopi. Pārbaudiet kustīgo detaļu nobīdi vai saķeri, detaļu bojājumus un jebkādus citus faktorus, kas var ietekmēt izstrādājuma darbību. Ja izstrādājums ir bojāts, pirms tā lietošanas veiciet remontu. Daudzu nelaimes gadījumu iemesls ir slikti uzturēts izstrādājums.
- Griezējinstrumenti jāuztur asi un tīri. Pareizi uzturēti griezējinstrumenti ar asiem asmeņiem retāk saliecas, un tos ir vieglāk vadīt.
- Lietojiet produktu, piederumus un asmeņus u.c. detaļas atbilstoši šeit sniegtajiem norādījumiem, ņemot vērā darba apstākļus un veicamos uzdevumus. Produkta lietošana neparedzētiem mērķiem var radīt bīstamas situācijas.
- Rokturiem un turēšanas virsmām ir jābūt sausām, tīrām un uz tām nedrīkst būt eļļas un smērvielas. Slideni rokturi un satveršanas virsmas traucē drošu izstrādājuma izmantošanu un vadību negaidītās situācijās.

Akumulatora rīka lietošana un apkope

- Uzlādei izmantojiet tikai ar ražotāja norādīto lādētāju. Lādētājs, kas ir piemērots viena tipa akumulatora blokam, var kļūt ugunsbīstams, lietojot to ar cita veida akumulatora bloku.
- Izmantojiet iekārtas tikai ar tām paredzētajiem akumulatoru blokiem. Jebkura cita akumulatora

bloka lietošana var radīt traumas un ugunsgrēka risku.

- Kad akumulatora bloks netiek izmantots, turiet to drošā attālumā no metāla priekšmetiem, piemēram, papīra saspraudēm, monētām, atslēgām, naglām, skrūvēm un citiem nelieliem metāla priekšmetiem, kas var savienot spailes. Akumulatora spaļu savienošana var radīt apdegumus vai aizdegšanos.
- Nepareizi lietojot, no akumulatora var iztectēt šķidrums; izvairieties no saskares ar to. Ja nējausi notiek saskare, noskalojiet skarto vietu ar lielu daudzumu ūdens. Ja šķidrums iekļūst acīs, vērsieties pēc medicīniskās palīdzības. No baterijas iztecejis šķidrums var radīt kairinājumu vai apdegumus.
- Nelietojiet akumulatoru bloku vai darbarīku, ja tas ir bojāts vai pārveidots. Bojāts vai pārveidots akumulatoru var darboties neparedzami, izraisot aizdegšanos, eksploziju vai traumu gūšanas risku.
- Nepakļaujiet akumulatoru bloku vai darbarīku ugunij vai pārmērīgi augstai temperatūrai. Ja pakļausit iekārtu uguns iedarbībai vai tādas temperatūras iedarbībai, kas pārsniedz 130°C (265°F), var notikt sprādziens.
- Nemiet vērā visas uzlādes instrukcijas un nelādējiet akumulatoru bloku vai darbarīku temperatūrā, kas ir ārpus instrukcijās norādītā diapazona. Nepareiza uzlāde vai uzlāde temperatūrā, kas ir ārpus norādītā diapazona, var bojāt akumulatoru un palielināt ugunsgrēka risku.

Apkope

- Uzticiet izstrādājuma apkopi kvalificētam remontdarbu speciālistam, kas izmanto tikai oriģinālas rezerves daļas. Tādējādi tiks garantēta izstrādājuma lietošanas drošība.
- Nekad neveiciet bojātu akumulatoru apkopi. Akumulatoru apkopi drīkst veikt tikai ražotājs vai pilnvarots apkopes nodrošinātājs.

Zāles plāvēja drošības brīdinājumi

- Nelietojiet zāles plāvēju sliktos laika apstākļos, jo īpaši tad, ja ir iespējams pērkona negaiss. Tas palielina risku, ka jums varētu iespert zibens.
- Rūpīgi pārbaudiet, vai teritorijā, kurā izmantosit zāles plāvēju, nav savvaļas dzīvnieku. Zāles plāušanas laikā savvaļas dzīvnieki var tikt savainoti.
- Rūpīgi pārbaudiet vietu, kur lietosit zāles plāvēju, un noņemiet akmeņus, zarus, vadus, kaulus un citus svešķermeņus. Izsviesti priekšmeti var radīt smagu traumu.
- Pirms zāles plāvēja lietošanas vienmēr vizuāli pārbaudiet, vai asmens un asmens mežgls nav nodilis vai bojāts. Nodilušas vai bojātas detaļas palielina traumu gūšanas risku.
- Regulāri pārbaudiet, vai zāles savācējs nav nodilis vai bojāts. Nolieots vai bojāts zāles savācējs var palielināt traumas gūšanas risku.

- Vienmēr izmantojiet aizsargus. Aizsargiem jābūt darba kārtībā un pareizi uzstādītiem. Valīgs, bojāts aizsargs vai tāds, kas nedarbojas pareizi, var radīt traumu.
- Visas dzesēšanas gaisa atveres vienmēr uzturiet tīras. Nosprostoti gaisa ievadi un netirumi var izraisīt pārkaršanu un aizdegšanos.
- Izmantojot zāles plāvēju, vienmēr uzvelciet neslidošus aizsargapavus. Neizmantojiet zāles plāvēju, ja staigājat basām kājām vai valējās sandalēs. Tādējādi tiek samazināta iespēja gūt traumu, saskaroties ar kustīgu plaušanas asmeni.
- Lietojot zāles plāvēju, vienmēr valkājiet garās bikses. Nenosegta āda palielina izviestu priekšmetu radītas traumas gūšanas iespēju.
- Neizmantojiet zāles plāvēju mitrā zālē. Ejiet, nekādā gadījumā neskrieniet. Šādi samazināsiet paslidēšanas un nokrišanas risku, kas var radīt traumas.
- Nelietojiet zāles plāvēju lielā slīpumā. Šādi samazināsiet līdzsvara zuduma iespējamību, paslidēšanas un nokrišanas risku, kas var radīt traumas.
- Strādājot nogāzēs, vienmēr pārliecinieties par kāju novietojumu, vienmēr strādājiet šķērsām nogāzei, nekad augšup vai lejup un ievērojiet īpašu piesardzību, mainot virzienu. Šādi samazināsiet līdzsvara zuduma iespējamību, paslidēšanas un nokrišanas risku, kas var radīt traumas.
- Esiet īpaši uzmanīgi, virzoties atpakaļ vai velkot zāles plāvēju pie sevis. Vienmēr vērojiet apkārtni. Šādi samazināsiet zāles plāvēja apgāšanās risku strādājot.
- Nepieskarieties asmeņiem un citām bīstamām rotējošām detaļām, kamēr tās vēl kustas. Šādi samazināsiet kustīgu detaļu radītu traumu risku.
- Pirms izņemat iestrēgušu materiālu vai tīrāt zāles plāvēju, pārliecinieties, ka visi barošanas slēdži ir izslēgti un barošanas kabelis ir atvienots. Neparedzēta zāles plāvēja darbība var radīt smagu traumu.

Paliekošās strāvas ierīce

- Izmantojiet paliekošās strāvas ierīci ar vismaz 30 mA lielu ieslēgšanās strāvu.

Vispārīgi norādījumi par drošību



BRĪDINĀJUMS: Pirms sākat lietot šo izstrādājumu, izlasiet tālāk izklāstītos brīdinājumus.

- Šis izstrādājums ir bīstams, ja to lieto nepareizi vai ja nerīkojaties piesardzīgi. Drošības instrukciju neievērošana var izraisīt traumas vai nāvi.
- Šis izstrādājums darbības laikā rada elektromagnētisko lauku. Zināmos apstākļos šis lauks var traucēt aktīvā vai pasīvā medicīniskā implantāta darbību. Lai samazinātu nopietnas traumas gūšanas vai dzīvības zaudēšanas risku,

mēs iesakām personām, kam ir medicīniskie implantāti, pirms šī izstrādājuma lietošanas konsultēties ar savu ārstu un medicīniskā implantāta ražotāju.

- Vienmēr rīkojieties piesardzīgi un saprātīgi. Ja neesat drošs par to, kā izmantot šo izstrādājumu konkrētā situācijā, pārtrauciet darbu un sazinieties ar savu Husqvarna izplatītāju, pirms turpināt.
- Paturiet prātā, ka operators ir atbildīgs par negadījumiem, kuros iesaistītas citas personas.
- Gādājiet, lai izstrādājums ir tīrs. Pārliecinieties, ka varat skaidri izlasīt zīmes un uzlīmes.
- Nekādā gadījumā neļaujiet lietot ierīci bērniem vai cilvēkiem, kas nepārzina instrukcijas. Lietotāja vecums var būt norādīts vietējos noteikumos.
- Ja izstrādājumu izmanto persona ar samazinātām fiziskajām vai garīgajām spējām, vienmēr uzraugiet šo personu. Tuvumā vienmēr jābūt pieaugušajam.
- Neizmantojiet šo izstrādājumu, ja esat noguris, slims vai esat alkohola, narkotiku vai medikamentu izraisītā reibumā. Šāds stāvoklis negatīvi ietekmē jūsu redzi, modrību, koordināciju un spriestspēju.
- Neizmantojiet izstrādājumu, ja tas ir bojāts.
- Neveiciet izmaiņas šajā izstrādājumā un neizmantojiet to, ja ir iespējams, ka citas personas tajā ir veikušas izmaiņas.

Darba drošība



BRĪDINĀJUMS: Pirms sākat lietot šo izstrādājumu, izlasiet tālāk izklāstītos brīdinājumus.

- Izmantojiet šo izstrādājumu tikai zālienu plaušanai. Izstrādājumu nav atļauts izmantot citu darbu veikšanai.
- Lietojiet individuālos aizsardzības līdzekļus. Skatiet: Individuālie aizsarglīdzekļi lpp. 237.
- Pārliecinieties, vai zināt, kā ārkārtas situācijā ātri apturēt dzinēju.
- Nedarbiniet izstrādājumu lietus laikā un nepakļaujiet to lietus vai mitruma iedarbībai. Ja izstrādājumā iekļūst ūdens, palielinās elektrotraumas risks.
- Nedarbiniet izstrādājumu, ja asmens un visi pārsegi nav piestiprināti pareizi. Nepareizi piestiprināts asmens var kļūt valīgs un izraisīt traumas personai.
- Pārliecinieties, ka asmens neatsitas pret priekšmetiem, piemēram, akmeņiem un saknēm. Tas var sabojāt asmeni un saliekt dzinēja vārpstu. Saliekts asmens izraisa stipru vibrāciju un rada ļoti lielu risku, ka asmens kļūst valīgs.
- Ja asmens saskaras ar priekšmetu vai rodas spēcīga vibrācija, nekavējoties izslēdziet izstrādājumu. Izslēdziet dzinēju, pagrieziet drošības atslēgu pozīcijā "0" un izņemiet akumulatoru. Uzgaidiet, līdz kustīgās detaļas apstājas. Pārbaudiet, vai izstrādājumam nav bojājumu. Pievelciet valīgās detaļas. Novērsiet bojājumus un nomainiet

bojātās detaļas. Uzticiet remontdarbu veikšanu apstiprinātam apkopes uzņēmumam.

- Nekādā gadījumā nepiestipriniet motora bremžu rokturi rokturim, kad motors ir iedarbināts.
- Novietojiet izstrādājumu uz stabilas, līdzenas virsmas un iedarbiniet to. Pārliedcinieties, vai asmens nepieskaras zemei vai citiem priekšmetiem.
- Darbinot izstrādājumu, vienmēr stāviet aiz tā.
- Lietojot izstrādājumu, pārbaudiet, lai visi riteņi atrodas uz zemes un turiet rokturi ar abām rokām. Turiet rokas un kājas drošā attālumā no rotējošiem daļiem.
- Nesasveriet zāles plāvēju, kad iedarbināt tā motoru vai zāles plāvēja lietošanas laikā.
- Esiet piesardzīgi, velkot izstrādājumu atpakaļ.
- Nekādā gadījumā neceliet izstrādājumu uz augšu motora darbības laikā. Ja zāles plāvējs ir jāpacel, vispirms izslēdziet dzinēju, pagrieziet drošības atslēgu pozīcijā "0" un izņemiet akumulatoru.
- Neejiet at muguriski izstrādājuma lietošanas laikā.
- Apturiet motoru, ja nepieciešams savērt zāles plāvēju transportēšanai vai pirms pārvietošanās pa laukumiem bez zāles, piemēram, grants, akmens un asfalta ceļiem.
- Nekādā gadījumā neskrīniet ar izstrādājumu motora darbības laikā. Darbinot izstrādājumu, vienmēr ejiet.
- Apturiet dzinēju, pirms maināt griešanas augstumu. Nekādā gadījumā nemēģiniet veikt regulēšanu motora darbības laikā.
- Nekad neatstājiet izstrādājumu bez uzraudzības motora darbības laikā. Izslēdziet dzinēju un pārliedcinieties, vai griešanas aprīkojums nerotē.
- Zāles plāvēja vibrācija darbības laikā var atšķirties no vibrācijas vērtības, kas norādīta Tehniskie dati lpp. 245. Atšķirības ir atkarīgas no zāles plāvēja izmantošanas veida. Ja zāles plāvējs tiek lietots bieži vai ilgstoši, regulāri ieturiet pauzes, lai novērstu vibrācijas radītas traumas.

Norādījumi par drošu darbu

Individuālie aizsarglīdzekļi



BRĪDINĀJUMS: Pirms sākat lietot šo izstrādājumu, izlasiet tālāk izklāstītos brīdinājumus.

- Šādi līdzekļi nevar pilnībā novērst traumu gūšanas risku, taču samazina traumu smaguma pakāpi, ja negadījums tomēr notiek. Ļaujiet izplatītajam palīdzēt jums izvēlēties pareizo aprīkojumu.
- Velciet izturīgus zābakus vai kurpes, kas neslīd. Nevelciet vaļējas kurpes un nējiet ar basām kājām.
- Uzvelciet izturīgas garās bikses.
- Vajadzības gadījumā izmantojiet aizsargcimdus, piemēram, piestiprinot, pārbaudot vai turot griešanas aprīkojumu.
- Ieteicams izmantot dzirdes aizsarglīdzekļus.

Izstrādājuma drošības ierīces



BRĪDINĀJUMS: Pirms sākat lietot šo izstrādājumu, izlasiet tālāk izklāstītos brīdinājumus.

- Nelietojiet izstrādājumu, ja ir bojātas drošības ierīces.
- Nenonēmiem un nepārveidojiet drošības ierīces.
- Regulāri pārbaudiet drošības ierīces. Ja drošības ierīces ir bojātas, sazinieties ar savu Husqvarna servisa pārstāvi.

Griezēja pārsega pārbaude

Griezēja pārsegs samazina izstrādājuma vibrācijas un asmens radītu ievainojumu gūšanas risku.

- Pārbaudiet griezēja pārsegu, lai pārliedcinātos, vai nav bojājumu, piemēram, plaisu.

Drošības atslēgas pārbaude

Drošības atslēga ir zem akumulatora pārsega. Drošības atslēga savieno akumulatoru, kas dzinējam nodrošina jauku.

- Lai pārbaudītu drošības atslēgu, iedarbiniet un izslēdziet motoru.
- Ja drošības atslēga darbojas pareizi, motoru var iedarbināt tikai, kad drošības atslēga tiek pagriezta pozīcijā "1". (Att. 15)

Motora bremžu roktura pārbaude

Dzinēja bremžu rokturis aptur dzinēju. Atlaižot dzinēja bremžu rokturi, dzinējs apstājas.

- Iedarbiniet ierīci. Skatiet: Izstrādājuma ieslēgšana lpp. 240.
- Atbrīvojiet dzinēja bremžu rokturi. (Att. 16)
- Pārliedcinieties, vai izstrādājums ir apstādīnāts. Ja dzinējs neapstājas 3 sekundēs, lieciet pilnvarotā Husqvarna apkopes pārstāvim noregulēt dzinēja bremzes.

Iedarbināšanas ierobežotāja pārbaude

Pārbaudiet iedarbināšanas ierobežotāju, lai pārliedcinātos, ka tas novērs dzinēja darbību.

1. Nospiediet motora bremžu rokturi roktura virzienā. Iedarbināšanas ierobežotājs aptur kustību.
2. Izstumiet iedarbināšanas ierobežotāju. (Att. 17)
3. Atlaižiet iedarbināšanas ierobežotāju un pārliedcinieties, ka tas atgriežas sākotnējā pozīcijā.

Akumulatora drošība



BRĪDINĀJUMS: Pirms sākat lietot šo izstrādājumu, izlasiet tālāk izklāstītos brīdinājumus.

- Izmantojiet Husqvarna atkārtoti uzlādējamos akumulatorus kā strāvas avotu tikai saistītiem Husqvarna produktiem. Lai nepieļautu traumu gūšanas risku, akumulatoru nedrīkst izmantot kā citu izstrādājumu strāvas avotu.
- Nelietojiet vienreiz lietojamās baterijas.
- Elektriskās strāvas trieciena risks. Nesavienojiet akumulatora spaiļes ar atslēgām, monētām, skrūvēm vai citiem metāla priekšmetiem. Tas var izraisīt akumulatora īssavienojumu.
- Neievietojiet nekādus priekšmetus akumulatora gaisa atverēs.
- Neglabājiet akumulatoru vietās, ka ir pakļautas tiešai saulesgaismai, karstumam vai atklātām liesmām. Akumulators var eksplodēt un radīt apdegumus un/vai ķīmiskos apdegumus.
- Akumulatoru nedrīkst pakļaut lietus un mitruma ietekmei.
- Akumulatoru nedrīkst pakļaut mikroviļņu un augsta spiediena ietekmei.
- Akumulatoru nedrīkst izjaukt vai saspīst.
- Ja rodas akumulatora noplūde, neļaujiet šķidrumam nonākt saskarē ar ķermeni vai acīm. Ja pieskaraties šķidrumam, nomazgājiet skarto vietu ar lielu daudzumu ūdens un meklējiet medicīnisko palīdzību.
- Izmantojiet akumulatoru zāles plāvējā tikai, ja apkārtējās vides temperatūra ir diapazonā starp 5 un 40 °C.
- Izmantojiet akumulatora lādētāju tikai, ja apkārtējās vides temperatūra ir diapazonā starp 5 un 40 °C.
- Akumulators netiks uzlādēts, ja akumulatora temperatūra pārsniedz 50 °C.
- Netīrieties akumulatoru un tā lādētāju ar ūdeni. Skatiet: Akumulatora un akumulatora lādētāja tīrīšana lpp. 242.
- Nelietojiet defektīvu vai bojātu akumulatoru.
- Uzglabājiet akumulatorus vietā, kur tuvumā nav metāla priekšmetu, piemēram, naglu, monētu, rotaslietu.

Akumulatora lādētāja drošības norādes



BRĪDINĀJUMS: Pirms sākat lietot šo izstrādājumu, izlasiet tālāk izklāstītos brīdinājumus.

- Izmantojiet QC akumulatoru lādētājus tikai Husqvarna rezerves akumulatoru uzlādei.
- Pastāv elektriskās strāvas trieciena vai īssavienojuma risks. Neievietojiet nekādus priekšmetus lādētāja gaisa atverēs. Nemēģiniet demontēt akumulatora lādētāju. Nesavienojiet lādētāja spaiļes ar metāla priekšmetiem. Izmantojiet pārbaudītu elektrotīkla kontaktligzdu.
- Šis izstrādājums darbības laikā rada elektromagnētisko lauku. Zināmos apstākļos šis lauks var traucēt aktīvā vai pasīvā medicīniskā implantāta darbību. Lai samazinātu smagas vai letālas traumas risku, mēs iesakām personām,

kurām ir medicīniskie implantāti, pirms šī izstrādājuma lietošanas konsultēties ar savu ārstu un medicīniskā implantāta ražotāju.

- Regulāri pārliecinieties, vai akumulatora lādētāja strāvas vads nav bojāts un vai tajā nav plaisu.
- Nevelciet akumulatora lādētāju aiz strāvas vada. Lai akumulatora lādētāju atvienotu no elektrotīkla kontaktligzdas, izrauļiet kontaktdakšu. Nevelciet aiz strāvas vada.
- Strāvas vadu un pagarinājuma kabelus turiet tālāk prom no ūdens, eļļas un asām apmalēm. Nodrošiniet, lai kabelis netiktu iespiests durvis, nožogojumos un līdzīgās konstrukcijās. Tādā gadījumā var notikt strāvas izvade no lādētāja.
- Netīrieties akumulatora lādētāju ar ūdeni.
- Akumulatora lādētāju drīkst izmantot bērni no 8 gadu vecuma un cilvēki ar ierobežotām fiziskām, sensorām vai garīgām spējām vai bez pieredzes un zināšanām tikai atbildīgās personas uzraudzībā vai pēc norādījumu par akumulatora lādētāja lietošanu drošā veidā saņemšanas un iespējamo risku izprašanas. Bērni nedrīkst spēlēties ar šo akumulatora lādētāju. Ierīces tīrīšanu un apkopes darbus bērni drīkst veikt tikai atbildīgās personas uzraudzībā.
- Neizmantojiet akumulatora lādētāju tādu akumulatoru uzlādei, kas nav atkārtoti uzlādējami.
- Nelietojiet akumulatora lādētāju viegli uzliesmojošu materiālu vai materiālu, kas var izraisīt koroziju, tuvumā. Nepārklājiet akumulatora lādētāju. Ja konstatējat dūmus vai uguni, izrauļiet akumulatora lādētāja kontaktdakšu.
- Nelietojiet defektīvu vai bojātu akumulatora lādētāju.
- Lādējiet akumulatoru tikai telpā, kur ir laba gaisa plūsma un kur tas nav pakļauts saules gaismai. Nelādējiet akumulatoru mitrumā.

Norādījumi par drošu apkopi



BRĪDINĀJUMS: Pirms sākat lietot šo izstrādājumu, izlasiet tālāk izklāstītos brīdinājumus.

- Lai nepieļautu nejašu iedarbināšanu apkopes laikā, pagrieziet drošības atslēgu stāvoklī "0" un izņemiet akumulatoru. Uzgaidiet vismaz 5 sekundes, pirms sākat apkopi.
- Veiciet tikai tos apkopes darbus, kas norādīti lietošanas rokasgrāmatā. Sarežģīti un profesionāli remontdarbi jāveic pilnvarotā apkopes uzņēmumā. Lai saņemtu papildinformāciju, sazinieties ar tuvāko apkopes pārstāvi.
- Veiciet apkopes darbus pareizi, lai palielinātu izstrādājuma darbību un samazinātu nelaimes gadījumu risku.
- Nomainiet bojātās, nodilušās un salūzušās detaļas. Izmantojiet tikai oriģinālās ražotāja rezerves daļas. Citas rezerves daļas var izraisīt izstrādājuma bojājumus un palielināt negadījumu risku.

- Nenoņemiet un nepārveidojiet drošības ierīces, lai neradītu traumas.
- Lietojot griešanas aprīkojumu, uzvelciet izturīgus cimdus. Asmens ir ļoti ass, un ar to var viegli sagriezties.
- Uzturiet griezēja malas ir asas un tīras, lai nodrošinātu vislabāko un drošāko veiktspēju.
- Ļaujiet izstrādājumu regulāri pārbaudīt apkopes centra darbiniekiem un veikt nepieciešamos regulēšanas un remonta darbus.

- Ievērojiet piederumu maiņas norādījumus. Lietojiet tikai ražotāja apstiprinātos piederumus.
- Kad izstrādājumu neizmantojat, turiet to, akumulatoru un akumulatora lādētāju atstatu vienu no otra sausās un slēgtās telpās. Nodrošiniet, lai bērni un nepiederības personas nepieķūst izstrādājumam, akumulatoram vai akumulatora lādētājam.

Montāža

Ievads



BRĪDINĀJUMS: Pirms izstrādājuma montāžas izlasiet sadaļu par drošību.



BRĪDINĀJUMS: Lai nepieļautu nejaušu iedarbināšanu montāžas laikā, pagrieziet drošības atslēgu pozīcijā "0", izņemiet akumulatoru un nogaidiet vismaz 5 sekundes.

2. Pievelciet rokturus. (Att. 18)
3. Velciet rokturi uz aizmuguri, līdz tas ir gala pozīcijā.
4. Nolikiet augstuma regulēšanas sviru uz leju un ievietojiet to rievā. (Att. 19)
5. Ar kāju nospiediet augstuma regulēšanas sviru. (Att. 20)

Roktura augstuma regulēšana

1. Ar kāju iespiediet augstuma regulēšanas sviru.
2. Novietojiet rokturi pareizajā pozīcijā un atlaidiet rokturi. (Att. 21)

Roktura montāža

1. Nolikiet augšējo rokturi uz priekšu.

Lietošana

Ievads



BRĪDINĀJUMS: Pirms sākat darbu ar produktu, izlasiet nodaļu par drošību un pārliecinieties, vai saprotat to.

Husqvarna Connect

Husqvarna Connect ir bezmaksas lietotne jūsu

mobilajai ierīcei. Lietotne Husqvarna Connect nodrošina paplašinātas funkcijas jūsu Husqvarna izstrādājumam:

- Paplašināta izstrādājuma informācija.
- Informācija par izstrādājuma daļām un apkopi un palīdzība ar to.

Lai sāktu izmantot Husqvarna Connect

1. Lejupielādējiet Husqvarna Connect lietotni savā mobilajā ierīcē.
2. Reģistrējieties Husqvarna Connect lietotnē.
3. Izpildiet Husqvarna Connect lietotnē sniegtos norādījumus, lai savienotu un reģistrētu produktu.

Izstrādājuma iestatišana darba stāvoklī

1. Samontējiet rokturi. Skatiet šeit: Roktura montāža lpp. 239.
2. Noregulējiet roktura augstumu. Skatiet šeit: Roktura augstuma regulēšana lpp. 239.



IEVĒROJIET: Pārbaudiet, vai kabeli nav pārāk nospriegoti. Pārāk liels spriegojums var izraisīt kabeļa bojājumus, kad rokturis tiek noliekts transportēšanas stāvoklī.



BRĪDINĀJUMS: Nelietojiet zāles plāvēju, kamēr tā rokturis nav pilnībā uzlocīts un iestatīts kādā no atbilstošajām augstuma pozīcijām. Skatiet šeit: Roktura augstuma regulēšana lpp. 239.

Griešanas augstuma regulēšana

Pļaušanas augstumu var noregulēt 6 dažādās pozīcijās.

1. Apturiet dzinēju.
2. Lai palielinātu griešanas augstumu, pārvietojiet griešanas augstuma sviru uz aizmuguri. (Att. 22)

3. Lai samazinātu griešanas augstumu, pārvietojiet griešanas augstuma sviru uz priekšu.



IEVĒROJIET: Neiestatiet griešanas augstumu pārāk zemu. Ja zāliena virsma nav līdzena, asmeņi var saskarties ar zemi.

Akumulators



BRĪDINĀJUMS: Pirms izmantojat akumulatoru, izlasiet nodaļu par drošību un pārliecinieties, vai saprotat to. Izlasiet arī akumulatora un akumulatora lādētāja komplektā iekļauto lietotāja rokasgrāmatu un pārliecinieties, vai izprotat to.

Glabājiet akumulatoru un tā lādētāju pareizā apkārtējās vides temperatūrā.

	Apkārtējās vides temperatūra
Akumulatora darbināšana	5–40 °C
Akumulatora uzlāde	5–40 °C

Akumulatora statuss

Displejā ir redzams akumulatora atlikušais uzlādes līmenis un akumulatora kļūdu ziņojumi. Akumulatora uzlādes līmenis ir redzams 5 sekundes pēc produkta izslēgšanas vai akumulatora indikatora pogas nospiešanas. Ja radusies kļūda, iedegas akumulatora brīdinājuma simbols. Sk. Akumulators lpp. 243.

(Att. 23)

LED indikatori	Akumulatora statuss
Deg visi LED indikatori	Pilnībā uzlādēts (75–100%)
Deg 1., 2. un 3. LED indikatori	Akumulatora uzlādes līmenis ir 50–75%
Deg 1. un 2. LED indikatori	Akumulatora uzlādes līmenis ir 25–50%
Deg 1. LED indikators	Akumulatora uzlādes līmenis ir 0–25%
Mirgo 1. LED indikators	Akumulators ir tukšs. Uzlādējiet akumulatoru.

Akumulatora uzlāde

Pirms pirmās lietošanas reizes uzlādējiet akumulatoru. Akumulators ir tikai 30% uzlādēts, kad tiek piegādāts klientam.

Piezīme: Pievienojiet akumulatora lādētāju strāvas avotam, kura spriegums un frekvence atbilst uz datu plāksnītes norādītajiem.

Akumulators netiek lādēts, ja tā temperatūra pārsniedz 50 °C. Akumulatora lādētājs samazina akumulatora temperatūru, pirms tiek sākota uzlāde.

1. Savienojiet vienu akumulatora lādētāja strāvas vada galu ar akumulatora lādētāja līgzdu.
2. Savienojiet akumulatora lādētāja strāvas vada otru galu ar zemētu kontaktlīgzdu. Vienreiz iemirgosies akumulatora lādētāja zaļais LED indikators. (Att. 24)
3. Ievietojiet akumulatoru lādētājā. Kad akumulators ir pareizi savienots ar akumulatora lādētāju, tajā deg zaļais indikators. (Att. 25)
4. Kad deg visi akumulatora LED indikatori, akumulators ir pilnībā uzlādēts. Akumulatora uzlādes laiks nedrīkst pārsniegt 24 stundas.
5. Lai atvienotu akumulatora lādētāju no kontaktlīgzdas, velciet kontaktdakšu, nevis strāvas vadu.
6. Izņemiet akumulatoru no lādētāja.

Akumulatora uzlādes statuss

Husqvarna litija jonu akumulatorus drīkst uzlādēt un lietot neatkarīgi no uzlādes līmeņa. Akumulators netiek bojāts. Pilnībā uzlādēts akumulators nezaudēs uzlādes kapacitāti pat tad, ja pēc uzlādes to atstāj lādētājā.

LED indikators	Uzlādes statuss
Mirgo 1. LED indikators	0–25%
Deg 1. LED indikators, mirgo 2. LED indikators	20–50%
Deg 1. un 2. LED indikatori, mirgo 3. LED indikators	50–75%
Deg 1., 2. un 3. LED indikatori, mirgo 4. LED indikators	75–100%
Deg 1., 2., 3. un 4. LED indikators	Pilnībā uzlādēts

Izstrādājuma ieslēgšana

1. Atveriet akumulatora vāku.
2. Akumulatora turētājā ievietojiet uzlādētu akumulatoru.
3. Pagrieziet drošības atslēgu stāvoklī "1". (Att. 26)
4. Stāviet aiz izstrādājuma.
5. Atbrīvojiet iedarbināšanas ierobežotāju. (Att. 17)
6. Nospiediet motora bremžu rokturi roktura virzienā. (Att. 27)

Funkcijas SaveE™ izmantošana

Izstrādājumam ir akumulatora enerģijas taupīšanas funkcija (SaveE™), kas nodrošina ilgāku akumulatora darbības laiku.

- Lai sāktu funkciju, nospiediet pogu SaveE™ pozīcijā "1". (Att. 28)
- Lai apturētu funkciju, nospiediet pogu SaveE™ pozīcijā "0".

Piezīme: Funkcija SaveE™ tiek apturēta automātiski, ja reljefa apstākļu dēļ ir nepieciešama augstāka jauda. Funkcija SaveE™ automātiski tiek atsākta atkal, kad to atļauj reljefa apstākļi.

Lielas slodzes funkcija

Ja ar produktu tiek griezta gara vai mitra zāle, dzinējs automātiski palielina apgrieziena skaitu. Kad liela jauda nav nepieciešama, dzinējs pāriet atpakaļ standarta režīmā.

Motora noslāpšana

Darbības laikā asmens un motors var īslaicīgi apstāties šķēršļu dēļ, piemēram, uzkrājoties zālei zem pļaušanas pārsega. Ja tā notiek ilgāku motora bremzes rokturis ir nospiests, zāles plāvējs mēģina automātiski atsākt darbību. Ja zāles plāvējs neatsāk darboties 5–10 sekunžu laikā, var būt nepieciešams iztīrīt pļaušanas pārsegu apakšdaļu. Ja mirgo brīdinājuma indikators (C), informāciju par ieteicamo tukšgaitas ātrumu skatiet šeit: Produkta tīrīšana lpp. 242.



BRĪDINĀJUMS: Ja motors apstājas, zāles plāvējs automātiski mēģina atsākt darbu pēc 5–10 sekundēm. Nogaidiet vismaz 15 sekundes un tikai tad veiciet pļaušanas pārsegu pārbaudi.



BRĪDINĀJUMS: Pirms pļaušanas pārsegu pārbaudes atļaidiet motora bremzes rokturi, pagrieziet drošības atslēgu

Apkope

levads



BRĪDINĀJUMS: Pirms veicat apkopi, izlasiet nodaļu par drošību un pārliecinieties, vai izprotat to.

Lai veiktu visus izstrādājuma apkopes un remonta darbus, ir nepieciešama īpaša apmācība. Mēs garantējam profesionāla remonta un apkopes pieejamību. Ja jūsu izplatītājs nav servisa pārstāvis, vērsieties pie viņa, lai iegūtu informāciju par tuvāko servisa pārstāvi.

stāvoklī 0, izņemiet akumulatoru un uzgaidiet vismaz 5 sekundes. Pastāv traumas gūšanas risks, ja šķērslis tiek noņemts un zāles plāvējs nejauši sāk darboties.

Izstrādājuma izslēgšana



BRĪDINĀJUMS: Pagrieziet drošības atslēgu pozīcijā "0", pirms novēršat uzmanību no izstrādājuma

1. Atļaidiet motora bremžu rokturi, lai apturētu motoru. (Att. 29)
2. Atveriet akumulatora pārsegu un pagrieziet drošības atslēgu stāvoklī "0". (Att. 30)
3. Lai izņemtu akumulatoru, nospiediet abas atbrīvošanas pogas un izņemiet akumulatoru. (Att. 31)
4. Ja akumulatora uzlādes līmenis ir nepietiekams, uzlādējiet akumulatoru. Papildinformāciju skatiet sadaļā Akumulatora uzlāde lpp. 240.

Labā rezultāta panākšana

- Vienmēr lietojiet tikai asus asmeņus. Lietojot trulu asmeni, pļaušanas rezultāts ir nevienmērīgs, un noplautā zāles virsma kļūst dzeltena. Ass asmens arī patērē mazāk enerģijas nekā truls asmens.
- Nepļaujiet vairāk par 1/3 no zāles garuma. Vispirms pļaujiet ar lielu pļaušanas augstuma iestatījumu. Pārbaudiet rezultātu un nolaidiet pļaušanas augstumu līdz pieņemamam līmenim. Ja zāle ir ļoti gara, pļaujiet lēni un, ja nepieciešams, dariet to divreiz.
- Katru reizi pļaujiet dažādos virzienus, lai zālienā neatstātu svītras.
- Uzturiet pļaušanas pārsegu tīru. Zāles un netīrumu uzkrāšanās pļaušanas pārsegu iekšpusē var pasliktināt pļaušanas rezultātu. Skatiet: Produkta tīrīšana lpp. 242.

Papildinformāciju skatiet šeit: www.husqvarna.com.

Tehniskās apkopes grafiks

Apkopes intervāli tiek aprēķināti atbilstoši izstrādājuma ikdienas lietošanai. Intervāli mainās, ja izstrādājumu neizmanto ikdienā.

Apkopei, kas atzīmēta ar zīmi*: norādījumus skatiet šeit: Drošība lpp. 234.

	Katrā lie- tošanas reizē	Reizi mē- nesī	Katru se- zonu
Veiciet vispārīgu pārbaudi.	X		
Notīriet izstrādājumu.	X		
Notīriet vietu ap roktura augstuma regulēšanas sviru.	X		
Pārbaudiet iedarbināšanas ierobežotāju. *	X		
Pārliedziet, ka izstrādājuma drošības ierīces nav bojātas. *	X		
Pārbaudiet pļaušanas aprīkojumu.	X		
Pārbaudiet pļaušanas pārsegu. *	X		
Pārbaudiet motora bremžu rokturi. *	X		
Pārbaudiet, vai akumulators nav bojāts.	X		
Pārbaudiet akumulatora uzlādi.	X		
Pārliedziet, vai akumulatora atbrīvošanas pogas darbojas pareizi un vai iz- strādājuma akumulators tiek fiksēts vietā.	X		
Pārbaudiet, vai nav akumulatora bojājumu un pārliedziet, ka tas darbojas pareizi.		X	
Pārbaudiet savienojumus starp akumulatoru un izstrādājumu. Pārbaudiet arī sa- vienojumu starp akumulatoru un akumulatora lādētāju.			X

Vispārējās pārbaudes veikšana

- Pārliedziet, vai uzgriežņi un skrūves uz izstrādājuma ir cieši pievilkti.
- Pārliedziet, vai produkta kabeļi nav novietoti tā, ka tie var tikt bojāti.

Produkta tīrīšana

- Plastmasas daļas notīriet ar tīru un sausu drāniņu.
- Produkta tīrīšanai neizmantojiet ūdeni. Ūdens var iekļūt akumulatorā vai dzinējā un rādīt īssavienojumu vai produkta bojājumus.
- Produktu nedrīkst skalot ar augstspiediena ūdens strūklu.
- Nekādā gadījumā neļiejiet ūdeni tieši uz dzinēja.
- Izmantojiet suku, lai notīrītu lapas, zāli un netīrumus.

Akumulatora un akumulatora lādētāja tīrīšana



BRĪDINĀJUMS: Netīriet akumulatoru un tā lādētāju ar ūdeni.



BRĪDINĀJUMS: Akumulatora tīrīšanai neizmantojiet ķīmikālijas.

- Pirms ievietojat akumulatoru lādētājā, pārliedziet, ka akumulators un akumulatora lādētājs ir tīrs un sauss.
- Tīriet akumulatora spaiļus ar saspīestu gaisu vai izmantojiet mīkstu un sausu drānu.
- Tīriet akumulatora un lādētāja virsmas ar mīkstu un sausu drānu.

Vietas notīrīšana ap roktura augstuma regulēšanas sviru

- Izmantojiet suku, lai notīrītu lapas, zāli un netīrumus. (Att. 32)

Griešanas aprīkojuma pārbaudīšana



BRĪDINĀJUMS: Lai nepieļautu nejaušu iedarbināšanu, pagrieziet drošības atslēgu pozīcijā "0", izņemiet akumulatoru un nogaidiet vismaz 5 sekundes.



BRĪDINĀJUMS: Veicot griešanas aprīkojuma apkopi, velciet aizsargcimdus. Asmens ir ļoti ass, un ar to var viegli sagriezties.

1. Pārbaudiet, vai griešanas aprīkojums nav bojāts vai ieleplaisājis. Vienmēr nomainiet bojātu griešanas ierīci.

2. Apskatiet asmeni, lai redzētu, vai tas nav bojāts vai truls.

Piezīme: Vajadzības gadījumā pēc asmens uzasināšanas to balansējiet. Ļaujiet servisa centram asināt, nomainīt un balansēt asmeni. Ja saskaraties ar šķērslī, kas liek izstrādājumam apstāties, nomainiet bojāto asmeni. Lai apkopes centra pārstāvis novērtē, vai asmens ir jāuzasina, vai arī tas ir jānomaina.

Asmens maiņa

Skatiet šeit: Tehniskie dati lpp. 245 Informāciju par pareizu asmens veidu skatiet šeit:



BRĪDINĀJUMS: Fiksējiet asmeni ar koka kluci, lai, nomainot asmeni, nesavainotu pirkstus. Asmeni var pārvietot, kad motors ir izslēgts, citādi starp asmeni un nekustīgajām daļām var tikt iespiesti pirksti.

1. Fiksējiet asmeni ar koka kluci. (Att. 33)
2. Izskrūvējiet naža skrūvi, noņemiet atspereplāksni un nazi. (Att. 34)

3. Pārbaudiet, vai nav bojāts asmens balsts un asmens skrūve.
4. Pārbaudiet dzinēja vārpstu, lai pārlicinātos, ka tā nav saliekta.
5. Kad piestiprināt jauno asmeni, vērsiet asmens saliektos galus pļaušanas pārsega virzienā. (Att. 35)
6. Pārlicinieties, ka asmens ir salāgots ar dzinēja vārpstas vidusdaļu.
7. Fiksējiet asmeni ar koka kluci. Piestipriniet atspereplāksni, pievelciet skrūvi un paplāksni līdz 23–28 Nm. (Att. 36) (Att. 34)
8. Ar roku pagrieziet asmeni un pārbaudiet, vai tas griežas brīvi.



BRĪDINĀJUMS: Uzvelciet biezus cimdus. Asmens ir ļoti ass, un ar to var viegli sagriezties.

9. Iedarbiniet izstrādājumu, lai pārbaudītu asmeni. Ja asmens nav pareizi piestiprināts, izstrādājums vibrē vai pļaušanas rezultāts nav apmierinošs.

Problēmu novēršana

Akumulators

LED indikators uz akumulatora	Cēlonis	Risinājums
LED indikators mirgo zaļā krāsā	Akumulatora spriegums ir zems.	Uzlādējiet akumulatoru. Skatiet: Akumulatora uzlāde lpp. 240.
Mirgo kļūdu LED indikators.	Zems akumulatora uzlādes līmenis.	Uzlādējiet akumulatoru. Skatiet: Akumulatora uzlāde lpp. 240.
	Temperatūra darba vidē ir pārāk augsta vai pārāk zema.	Akumulatoru drīkst izmantot temperatūras diapazonā no 5 °C līdz 40 °C.
	Pārspriegums.	Pārbaudiet, vai tikla spriegums atbilst tam, kas ir norādīts uz izstrādājuma datu plāksnītes. Izņemiet akumulatoru no lādētāja. Pagaidiet 5 sekundes un pēc tam mēģiniet akumulatoru uzlādēt. Ja problēma joprojām nav novērsta, sazinieties ar pilnvarotu apkopes pārstāvi.
Deg kļūdu LED indikators.	Pārāk liela elementu sprieguma atšķirība (1 V).	Sazinieties ar pilnvarotu apkopes pārstāvi.

Akumulatora lādētājs

LED indikators uz akumulatora lādētāja	Cēlonis	Risinājums
Mirgo kļūdu LED indikators.	Temperatūra darba vidē ir pārāk augsta vai pārāk zema.	Akumulatora lādētāju drīkst izmantot temperatūras diapazonā no 5 °C līdz 40 °C.
Deg kļūdu LED indikators.		Sazinieties ar pilnvarotu apkopes pārstāvi.

Zāles pļaujmašīna

Bridinājuma indikators (kļūdas LED indikators) atrodas zem akumulatora vāka.

Problēma	Kļūdas LED indikators (mirgošanas reižu skaits)	Cēlonis	Risinājums
Mirgo kļūdas gaismas diode. Izstrādājums darbojas nepareizi.	5	Asmens ir bloķēts.	Lai nepieļautu nejaušu iedarbināšanu, pagrieziet drošības atslēgu stāvokli "0". Izņemiet akumulatoru un uzgaidiet vismaz 5 sekundes. Noņemiet iespējamus šķēršļus un pārliecinieties, ka asmens brīvi griežas. Ja kļūme joprojām nav novērsta, sazinieties ar pilnvarotu apkopes dienesta pārstāvi.
		Motora apgriezienu skaits būtiski samazinās, un motors apstājas.	Palieliniet pļaušanas augstumu. Skatiet šeit: Griešanas augstuma regulēšana lpp. 239.
	10	Motora vadības bloks ir pārāk karsts	Apturiet motoru un uzgaidiet, līdz tas atdziest.
Mirgo kļūdas gaismas diode. Izstrādājums apstājas.	0	Akumulatora savienotāja kļūda.	Pārbaudiet akumulatora savienotāju.
	3	Dzinēja pārslodze.	Palieliniet pļaušanas augstumu. Skatiet šeit: Griešanas augstuma regulēšana lpp. 239.
	8	Zems akumulatora uzlādes līmenis.	Uzlādējiet akumulatoru. Skatiet šeit: Akumulatora uzlāde lpp. 240.
	9	Akumulatora kļūda vai netiek saņemts signāls no akumulatora.	Ievietojiet akumulatoru pareizi un pārbaudiet akumulatora savienotāju. Ja mirgo kļūdas LED indikators uz akumulatora. Skatiet šeit: Akumulatora statuss lpp. 240.
	12	Nepareiza iedarbināšana. Dzinēja bremžu rokturis nospiežs pirms dzinēja iedarbināšanas.	Atlaidiet dzinēja bremžu rokturi un uzgaidiet apmēram 5 sekundes. Lai iedarbinātu izstrādājumu, vēlreiz nospiediet dzinēja bremžu rokturi.
Citas kļūdas.	Ja rodas citas kļūdas, pagrieziet drošības atslēgu stāvokli "0", izņemiet akumulatoru un sazinieties ar apstiprinātu apkopes dienesta pārstāvi.		

Pārvadāšana, glabāšana un utilizēšana

Ievads



BRĪDINĀJUMS: Lai nepieļautu nejaušu iedarbināšanu transportēšanas un uzglabāšanas laikā, pagrieziet drošības atslēgu stāvoklī "0", izņemiet akumulatoru un uzgaidiet vismaz 5 sekundes.

Izstrādājuma novietošana transportēšanas stāvoklī

1. Ar kāju spiediet augstuma regulēšanas sviru. (Att. 37)
2. Pavelciet rokturi uz augšu un izvelciet roktura augstuma regulēšanas sviru no rievās.
3. Nolokiet rokturi uz priekšu, līdz tas ir sasniedzis gala pozīciju. (Att. 38)
4. Nolokiet augstuma regulēšanas sviru uz pļaušanas pārsega pusi. (Att. 39)
5. Atlaidiet roktura fiksatorus. (Att. 40)
6. Nolokiet augšējo rokturi uz aizmuguri. (Att. 41)

Transportēšana

- Uz iekļautajiem litija jonu akumulatoriem attiecas likumu prasības par bīstamajām precēm.
- Komerčiālai transportēšanai ir jāievēro īpašās prasības uz iepakojuma un uzlīmēm.
- Noteikti ievērojiet noteikumus, kas attiecas uz bīstamiem materiāliem, kad produktu sagatavojat transportēšanai. Spēkā var būt vietēji noteikumi.
- Transportēšanas laikā izņemiet akumulatoru.
- Uzlieciet lenti uz akumulatora savienotājiem un pārļiecinieties, vai akumulators transportēšanas laikā nevar kustēties.
- Transportēšanas laikā nostipriniet produktu.

Glabāšana

- Pirms uzglabāšanas ļaujiet zāles pļāvējam atdzist.
- Glabāšanas laikā izņemiet akumulatoru.
- Lai novērstu nelaimes gadījumus, produkta glabāšanas laikā akumulatoram ir jābūt atvienotam no produkta.

- Turiet akumulatora lādētāju slēgtā un sausā vietā.
- Turiet akumulatoru un akumulatora lādētāju sausā vietā, kur nav mitruma vai sala ietekmes.
- Uzglabāšanas laikā atvienojiet akumulatoru no akumulatora lādētāja.
- Neglabājiet akumulatoru vietās, kur var rasties statiskā elektrība. Neglabājiet akumulatoru metāla kārbā.
- Uzglabājiet zāles pļāvēju vietā, kur apkārtējā temperatūra ir diapazonā no -10 °C līdz 40 °C.
- Uzglabājiet akumulatoru vietā, kur apkārtējās vides temperatūra ir diapazonā no 5 °C līdz 25 °C un akumulatoru neapspīd tieša saules gaisma.
- Uzglabājiet akumulatora lādētāju vietā, kur apkārtējā temperatūra ir diapazonā no 5 °C līdz 45 °C un lādētāju neapspīd tieša saules gaisma.
- Akumulatora uzlādes līmenim pirms ilgstošas glabāšanas jābūt 30–50%.
- Glabājiet produktu, akumulatoru un akumulatora lādētāju slēgtā vietā, kas nav pieejama bērniem un nesankcionētiem personām.
- Notīriet zāles pļāvēju un pārļiecinieties, ka zāles uztvērējs ir tukšs.
- Veiciet tikai tās apkopes darbības, kas norādītas lietotāja rokasgrāmatā. Skatiet: Tehniskās apkopes grafiks lpp. 241.
- Pilnībā notīriet zāles pļāvēju, pirms novietojat to ilgstošai uzglabāšanai.

Atbrīvošanās no produkta

Simboli uz produkta vai tā iepakojuma norāda, ka no šī produkta nedrīkst atbrīvoties kā no sadzīves atkritumiem. Tas ir jānodod atbilstošā elektrisko un elektronisko ierīču pārstrādes uzņēmumā.

Nodrošinot, ka šis izstrādājums tiek pareizi pārstrādāts, varat palīdzēt novērst iespējamo negatīvo ietekmi uz vidi un cilvēkiem. Pretējā gadījumā tiek veikta nepareiza šī izstrādājuma utilizēšana. Lai uzzinātu vairāk par šī izstrādājuma pārstrādi, sazinieties ar vietējo pašvaldību, atkritumu pārstrādes uzņēmumu vai veikalu, kurā iegādājāties šo izstrādājumu.

(Att. 42)

Tehniskie dati

	LB 144i
Pļaušanas motors	
Motora tips	BLDC (bezsku) 36 V

	LB 144i
Motora apgriezienu skaits — SavE, apgr./min	2600/min
Motora apgriezienu skaits — nominālais, apgr./min	3200/min
Motora apgriezienu skaits — liela slodze, apgr./min	3500/min
Motora jauda — maks., kW	0,9
Motora jauda — nominālā, kW	0,75
Piedziņas motors	
Motora jauda — nominālā, kW	NAV PIEEJAMS
Kustības ātrums, km/h	NAV PIEEJAMS
Ātruma regulēšanas līmeņi	NAV PIEEJAMS
Svars	
Svars (bez akumulatora), kg	15,5
Svars (ietverts viens BLi30), kg	17,5
Akumulators	
Akumulatora tips	Husqvarna akumulatoru sērija
Akumulatora darbības laiks	
Akumulatora darbības laiks, minimālais (brīvgaita), ar ieslēgtu funkciju SavE un vienu Husqvarna 7,5 Ah akumulatoru (BLi30).	170
Akumulatora darbības laiks, minimālais (brīvgaita) ar ieslēgtu standarta režīmu, ar vienu Husqvarna 7,5 Ah akumulatoru (BLi30).	135
Trokšņa emisija ⁴³	
Skaņas jaudas līmenis, izmēritais dB (A)	90
Skaņas jaudas līmenis, garantētais L _{WA} dB (A)	92
Skaņas līmeņi ⁴⁴	
Skaņas spiediena līmenis pie operatora auss, dB (A)	77
Vibrācijas līmeņi ⁴⁵	
Rokturis, m/s ²	0,7
Pļaušanas aprīkojums	
Pļaušanas augstums, mm	25–75
Pļaušanas platums, cm	44
Asmeņu standarts	Mulcēšana, 5298073-10
Asmeņu piederums	NAV PIEEJAMS

⁴³ Atbilstoši EK direktīvai 2000/14/EK trokšņa emisija apkārtņē ir mērīta kā akustiskā jauda (L_{WA}).

⁴⁴ Iesniegtajiem datiem par trokšņa spiediena līmeņi ir 1,5 dB(A) nenoteiktības koeficients (K).

⁴⁵ Iesniegtajiem datiem par vibrācijas līmeņi ir 1,5 m/s² nenoteiktības koeficients (K). Kopējā noteiktā vibrāciju vērtība ir mērīta pēc standarta EN 62841-4-3 A pielikuma, un to var izmantot instrumentu iekārtu savstarpējai salīdzināšanai un pakļaušanas iedarbībai sākotnējā novērtējumā.

Apstiprinātie akumulatori	Tips	Akumulatora ietilpība, Ah	Spriegums (V)	Svars, mārciņas/kg
40-B140	Litija jonu	4,0	36	2,6/1,2
BLi30	Litija jonu	7,5	36	4,2/1,9

Apstiprinātie lādētāji norādītajiem akumulatoriem, BLi	Ieejas spriegums, V	Frekvence, Hz	Jauda, W
40-C80	100–240	50–60	68,8
QC250	220–240	50	250

Atbilstības deklarācija

ES atbilstības deklarācija

Mēs, **Husqvarna AB**, SE-561 82 Huskvarna, Zviedrija, tālr. +46-36-146500, ar pilnu atbildību apliecinām, ka šis izstrādājums:

Apraksts	Zāles pļaujmašīna
Zīmols	Husqvarna
Tips/modelis	LB 144i
Identifikācija	Ar sērijas numuriem no 2022 un turpmākiem sērijas numuriem

pilnībā atbilst šādām ES direktīvām un noteikumiem:

Noteikums	Apraksts
2006/42/EK	"par iekārtām"
2014/30/ES	"par elektromagnētisko savietojamību"
2000/14/EK	"par trokšņa emisiju vidē"
2011/65/ES	Par dažādu bīstamo vielu lietošanas ierobežojumiem elektriskajos un elektroniskajos aprīkojumos

un ir ievēroti zemāk norādītie saskaņotie standarti un/vai tehniskie dati: EN 62841-1:2015/AC:2015, EN IEC 62841-4-3:2021/A11:2021, EN ISO 12100:2010, EN 55014-1:2021, EN 55014-2:2021, EN IEC 61000-6-2:2019, EN IEC 61000-6-3:2021, EN IEC 63000:2018

Informētā valsts iestāde: 0404, RISE SMP Svensk Maskinprovning AB, Box 4053, SE-904 03 Umeå, Sweden ir apstiprinājusi atbilstību Eiropas Padomes direktīvai 2000/14/EK, atbilstības izvērtēšanas kārtībai: VI pielikums.

Lai iegūtu informāciju par trokšņa emisiju, skatiet šeit: Tehniskie dati lpp. 245.

Huskvarna, 2022-12-05



Claes Losdal, nodaļas vadītājs/dārzkopības izstrādājumi, Husqvarna AB

Atbildīgais par tehnisko dokumentāciju



Inhoud

Inleiding.....	249	Probleemoplossing.....	259
Veiligheid.....	250	Vervoer, opslag en verwerking.....	261
Montage.....	255	Technische gegevens.....	262
Werking.....	255	Verklaring van overeenstemming.....	264
Onderhoud.....	258		

Inleiding

Productbeschrijving

Het product is een roterende duwmaaier die BioClip gebruikt om het gras te snijden tot meststof.

Productoverzicht

(Fig. 1)

1. Hendel / handgreep
2. Remhendel van de motor
3. Startvergrendeling
4. Handgreepstangen
5. Maaidek
6. Maaihoogtehendel
7. Veiligheidsleutel
8. Accudeksel
9. Hoogte-instellingsbeugel voor de handgreep
10. SavE-knop
11. Waarschuwingsindicator (fout-led)
12. Bedieningshandleiding
13. Acculader (accessoire)
14. Accu (accessoire)

Symbolen op het product

(Fig. 2) WAARSCHUWING

(Fig. 3) Lees de instructies.

(Fig. 4) WAARSCHUWING - Pas op voor weggeslingerde voorwerpen.

(Fig. 5) Houd omstanders uit de buurt.

(Fig. 6) WAARSCHUWING - Houd uw handen en voeten uit de buurt van de bladen.

(Fig. 7) WAARSCHUWING - Koppel de accu voorafgaand aan het onderhoud los.

(Fig. 8) Het product of de verpakking ervan is geen huishoudelijk afval. Lever het in bij een recyclepunt voor elektrische en elektronische apparatuur.

Gebruik

Gebruik het product om gras te maaien. Gebruik het product niet voor andere taken.

(Fig. 9) Geluidsemissies naar het omgevingslabel volgens de richtlijnen en voorschriften van de EU en het VK en de wetgeving van Nieuw-Zuid-Wales "Protection of the Environment Operations (Noise Control) Regulation 2017". Het gegarandeerde geluidsvermogensniveau van het product staat vermeld in Technische gegevens op pagina 262 en op het label.

(Fig. 10) Dit opzetstuk voldoet aan de geldende EG-richtlijnen.

(Fig. 11) Dit product voldoet aan geldende VK-regelgeving.

(Fig. 12) Het product is druppeldicht.

(Fig. 13) Laat de remhendel van de motor los om te stoppen.

(Fig. 14) Scanbare code.

Let op: Andere symbolen/stickers op het product hebben betrekking op certificeringseisen voor bepaalde markten.

Productaansprakelijkheid

Zoals uiteengezet in de wet voor productaansprakelijkheid zijn wij niet aansprakelijk voor schade die door ons product wordt veroorzaakt, indien:

- het product niet goed is gerepareerd.
- het product is gerepareerd met onderdelen die niet van de fabrikant afkomstig zijn, of onderdelen die niet zijn goedgekeurd door de fabrikant.
- het product een accessoire bevat dat niet afkomstig is van de fabrikant of niet is goedgekeurd door de fabrikant.

- het product niet is gerepareerd door een erkend servicepunt of door een erkende autoriteit.

Veiligheid

Veiligheidsdefinities

Waarschuwingen, voorzorgsmaatregelen en opmerkingen worden gebruikt om te wijzen op belangrijke delen van de handleiding.



WAARSCHUWING: Wordt gebruikt om te wijzen op de kans op ernstig of fataal letsel voor de gebruiker of omstanders wanneer de instructies in de handleiding niet worden gevolgd.



OPGELET: Wordt gebruikt indien er een risico bestaat op schade aan het product en andere eigendommen of aan de omgeving wanneer de instructies in de handleiding niet worden gevolgd.

Let op: Geven verdere informatie die nodig is in een bepaalde situatie.

Algemene productveiligheidswaarschuwingen



WAARSCHUWING: Lees alle veiligheidswaarschuwingen, instructies, illustraties en specificaties die worden meegeleverd met dit product. Het niet opvolgen van ieder van de onderstaande instructies kan leiden tot elektrische schokken, brand en/of ernstig letsel.

Bewaar alle waarschuwingen en instructies voor later gebruik. De term "product" in de waarschuwingen verwijst zowel naar producten die op het lichtnet (met snoer) werken als producten die met een accu (snoerloos) werken.

Veiligheid van het werkgebied

- Zorg ervoor dat de werkplek schoon en goed verlicht is. In rommelige of donkere gebieden gebeuren eerder ongelukken.
- Gebruik het product niet in een explosiegevaarlijke omgeving, bijv. in de buurt van ontvlambare vloeistoffen, gassen of stof. Het product creëert vonken waardoor het stof of de dampen kunnen ontbranden.
- Houd kinderen en omstanders op afstand wanneer u het product gebruikt. U kunt de controle over het apparaat verliezen als u afgeleid wordt.

Elektrische veiligheid

- **Productstekkers moeten geschikt zijn voor het betreffende stopcontact. Wijzig nooit de stekker. Gebruik nooit een adapterstekker in combinatie met geaarde producten.** Ongewijzigde stekkers en overeenkomende stopcontacten verkleinen het risico op elektrische schokken.
- **Vermijd lichamelijk contact met geaarde oppervlakken, zoals buizen, radiatoren, fornuizen en koelkasten.** Er is een verhoogd risico op elektrische schokken als uw lichaam geaard is.
- **Stel de producten niet bloot aan regen of natte omstandigheden.** Water dat in een product binnendringt, verhoogt het risico op elektrische schokken.
- **Gebruik de kabel niet voor oneigenlijke doeleinden. Gebruik de kabel nooit om het product te dragen, te trekken of om de stekker uit het stopcontact te trekken. Houd de kabel uit de buurt van warmte, olie, scherpe randen en bewegende onderdelen.** Beschadigde of in de knoop geraakte kabels verhogen het risico op elektrische schokken.
- **Gebruik een verlengkabel die geschikt is voor gebruik buitenshuis wanneer u buiten werkt met een product.** Het gebruik van een kabel die geschikt is voor gebruik buitenshuis, vermindert het risico op elektrische schokken.
- **Als gebruik van een product in een vochtige omgeving onvermijdelijk is, gebruik dan een netvoeding met aardlekschakelaar (RCD).** Gebruik van een RCD vermindert het risico op elektrische schokken.

Persoonlijke veiligheid

- **Wees altijd alert, kijk wat u doet en gebruik uw gezonde verstand wanneer u het product gebruikt. Gebruik het product niet als u moe bent of onder invloed bent van drugs, alcohol of medicijnen.** Eén moment van onoplettendheid tijdens het gebruik van producten kan ernstig lichamelijk letsel tot gevolg hebben.
- **Maak altijd gebruik van persoonlijke beschermingsmiddelen. Draag altijd oogbescherming.** Beschermingsmiddelen zoals een stofmasker, veiligheidsschoenen met antislipprofiel, een veiligheidshelm of gehoorbescherming in relevante werkomstandigheden beperken letsel.
- **Voorkom een onbedoelde start. Zorg ervoor dat de schakelaar in de stand OFF staat voordat u het product aansluit op een spanningsbron en/of accupack, oppakt of draagt.** Het dragen van producten met uw vinger op de schakelaar of het onder spanning zetten van producten waarvan de

schakelaar op aan staat, kan makkelijk leiden tot ongelukken.

- **Verwijder eventuele (instel)sleutels voordat u het product inschakelt.** Een sleutel die is bevestigd aan een draaiend onderdeel van het product kan persoonlijk letsel tot gevolg hebben.
- **Voorkom overstrekken.** Zorg dat u te allen tijde stevig en in balans staat. Hierdoor hebt u een betere controle over het product in onverwachte situaties.
- **Draag geschikte kleding.** Draag geen losse kleding of sieraden. Houd uw haar en kleding uit de buurt van bewegende onderdelen. Losse kleding, sieraden of lang haar kunnen verstrikt raken in bewegende onderdelen.
- **Als de mogelijkheid bestaat voor het opvangen van stof moet u ervoor zorgen dat deze is aangesloten en op de juiste wijze wordt gebruikt.** Het gebruik van stofopvang kan stofgerelateerde gevaren beperken.
- **Laat de vertrouwdheid met de door u gebruikte producten door het frequente gebruik ervan niet toe leiden dat u de veiligheidsprincipes negeert.** Een onzorgvuldige handeling kan binnen een fractie van een seconde leiden tot ernstig letsel.

Gebruik en onderhoud van het product

- **Forceer het product niet.** Gebruik het juiste product voor de toepassing. Het juiste product voert de werkzaamheden waarvoor het is ontworpen beter en veiliger uit.
- **Gebruik het product niet als de On/Off-schakelaar niet werkt.** Producten die niet bediend kunnen worden met de schakelaar zijn gevaarlijk en moeten gerepareerd worden.
- **Haal de stekker uit het stopcontact en/of verwijder het accupack, indien verwijderbaar, van het product voordat u aanpassingen maakt, accessoires verwisselt of producten opbergt.** Dergelijke preventieve veiligheidsmaatregelen verlagen het risico op het onbedoeld starten van het product.
- **Berg producten die u niet nodig hebt op buiten het bereik van kinderen en laat personen die onbekend zijn met het product of deze instructies niet werken met het product.** Producten zijn gevaarlijk in handen van ongetrainde gebruikers.
- **Onderhoud de producten en de accessoires.** Controleer het apparaat op verkeerde uitlijning of bevestiging van bewegende onderdelen, breuk van onderdelen en andere condities die de werking van het product negatief kunnen beïnvloeden. Als het product is beschadigd, moet u het laten repareren voordat u het gebruikt. Veel ongelukken worden veroorzaakt door slecht onderhouden producten.
- **Houd snijgereedschappen scherp en schoon.** Goed onderhouden snijgereedschappen met scherpe snijranden zullen minder gauw vastlopen en zijn eenvoudiger onder controle te houden.
- **Gebruik het product, de accessoires, gereedschapsbits en dergelijke in overeenstemming met deze instructies en houd hierbij rekening met de werkomstandigheden en het type klus dat moet**

worden uitgevoerd. Als u het product voor andere toepassingen gebruikt dan waarvoor het is bedoeld, kan er een gevaarlijke situatie ontstaan.

- **Houd de handgrepen en grijppoppervlakken droog, schoon en vrij van olie en vet.** Als handgrepen en grijppoppervlakken glad zijn, kan dit ervoor zorgen dat het product in onverwachte situaties niet veilig kan worden gehanteerd en bediend.

Gebruik en onderhoud van gereedschap met accu

- **Laad het gereedschap alleen op met de lader die door de fabrikant is gespecificeerd.** Een lader die voor een bepaald type accu geschikt is, kan een risico op brand creëren als de lader met een andere accu wordt gebruikt.
- **Gebruik producten enkel met de specifiek hiervoor bedoelde accupacks.** Als er andere accupacks worden gebruikt, bestaat er risico op letsel en brand.
- **Als het accupack niet gebruikt wordt, houd hem dan uit de buurt van andere metalen voorwerpen, zoals paperclips, munten, sleutels, spijkers, schroeven of andere kleine metalen voorwerpen die een verbinding tussen de twee klemmen kunnen maken.** Als er kortsluiting tussen de accuaansluitingen ontstaat, kunnen er brandwonden of brand ontstaan.
- **Als het accupack verkeerd wordt gebruikt, kan er vloeistof uit de accu komen; zorg dat u deze niet aanraakt.** Als u per ongeluk in contact komt met de vloeistof, afspoelen met water. Als er vloeistof in de ogen komt dient u medische hulp in te roepen. Vloeistof die uit accu's loopt, kan irritatie of brandwonden veroorzaken.
- **Gebruik geen accupack of product dat beschadigd of gewijzigd is.** Beschadigde of aangepaste accu's kunnen onvoorspelbaar gedrag vertonen, wat kan leiden tot brand, explosies of letsel.
- **Stel het accupack of product niet bloot aan vuur of hoge temperaturen.** Blootstelling aan vuur of temperaturen hoger dan 130 °C kan een explosie veroorzaken.
- **Volg alle oplaadinstructies op en laad de accu of het product niet op bij temperaturen die buiten het in de instructies gespecificeerde bereik vallen.** Door onjuist opladen of opladen bij temperaturen die buiten het gespecificeerde bereik liggen, kan de accu beschadigd raken en neemt het risico op brand toe.

Service

- **Laat uw product onderhouden door een gekwalificeerde onderhoudsmonteur met gebruikmaking van uitsluitend identieke vervangende onderdelen.** Hierdoor blijft de veiligheid van het product gehandhaafd.
- **Voer nooit onderhoud uit aan beschadigde accupacks.** Onderhoud aan accupacks mag alleen worden uitgevoerd door de fabrikant of geautoriseerde dienstverleners.

Veiligheidswaarschuwingen voor gazonmaaier

- Gebruik de gazonmaaier niet bij slechte weersomstandigheden, vooral wanneer er een risico op blikseminslag bestaat. Dit vermindert het risico op blikseminslag.
- Inspecteer het gebied waar de gazonmaaier wordt gebruikt zorgvuldig op de aanwezigheid van dieren. Wilde dieren kunnen gewond raken wanneer u in hun nabijheid de gazonmaaier gebruikt.
- Onderwerp het gebied waar de gazonmaaier gebruikt gaat worden aan een grondige inspectie en verwijder alle stenen, stokken, draden, beenderen, en andere voorwerpen. Weggeslingerde objecten kunnen lichamelijk letsel veroorzaken.
- Voer vóór het gebruik van de gazonmaaier altijd een visuele inspectie uit om te kijken of het blad en de mesmontage niet versleten of beschadigd zijn. Versleten of beschadigde onderdelen verhogen het risico op letsel.
- Controleer de grasopvangbak regelmatig op slijtage of veroudering. Een versleten of beschadigde grasopvangbak kan het risico op letsel verhogen.
- Houd beschermkappen op hun plaats. Beschermkappen moeten in goede staat en correct gemonteerd zijn. Een beschermkap die los zit, beschadigd is of niet goed functioneert, kan leiden tot lichamelijk letsel.
- Houd alle koelluchtinlaten vrij van vuil. Geblokeerde luchtinlaten en vuil kunnen leiden tot oververhitting of brandgevaar.
- Draag tijdens het gebruik van de gazonmaaier altijd beschermend schoeisel met antislipzool. Bedien de gazonmaaier niet op blote voeten of met open sandalen aan. Dit vermindert de kans op letsel aan de voeten door contact met het bewegende blad.
- Draag tijdens de bediening van de gazonmaaier altijd een lange broek. Blootliggende huid verhoogt de kans op letsel door weggeslingerde voorwerpen.
- Gebruik de gazonmaaier niet op nat gras. U dient uitsluitend te lopen, nooit te rennen. Dit verkleint het risico op uitglijden en vallen, wat kan leiden tot lichamelijk letsel.
- Gebruik de gazonmaaier niet op extreem steile hellingen. Dit verkleint het risico van controleverlies, uitglijden en vallen, wat kan leiden tot lichamelijk letsel.
- Wees bij het werken op hellingen altijd zeker van uw grip, werk altijd dwars over het oppervlak van hellingen, nooit omhoog of omlaag en wees uiterst voorzichtig wanneer u van richting verandert. Dit verkleint het risico van controleverlies, uitglijden en vallen, wat kan leiden tot lichamelijk letsel.
- Wees uiterst voorzichtig wanneer u achteruitgaat of de gazonmaaier naar u toe trekt. Let altijd op uw omgeving. Dit verlaagt het risico op struikelen tijdens het bedrijf.
- Raak bladen en andere gevaarlijke bewegende delen niet aan als ze nog bewegen. Dit verlaagt het risico op letsel door bewegende delen.

- Als u vastgelopen materiaal verwijdert of de gazonmaaier reinigt, dient u ervoor te zorgen dat alle schakelaars zijn uitgeschakeld en dat de stroomkabel is losgekoppeld. Onverwacht bedrijf van de gazonmaaier kan leiden tot ernstig lichamelijk letsel.

Aardlekschakelaar

- Gebruik een aardlekschakelaar met een afschakelstroom van maximaal 30 mA.

Algemene veiligheidsinstructies



WAARSCHUWING: Lees de volgende waarschuwingen voordat u het product gaat gebruiken.

- Dit product is gevaarlijk als het verkeerd wordt gebruikt, of als u niet voorzichtig bent. Letsel of overlijden kunnen het gevolg zijn als u de veiligheidsvoorschriften negeert.
- Dit product produceert tijdens bedrijf een elektromagnetisch veld. Dit veld kan onder bepaalde omstandigheden de werking van actieve of passieve medische implantaten verstoren. Om het risico op ernstig of dodelijk letsel te beperken, raden we personen met een medisch implantaat aan om contact op te nemen met hun arts en de fabrikant van het medische implantaat alvorens dit product te gaan gebruiken.
- Wees altijd voorzichtig en gebruik uw gezond verstand. Als u niet zeker weet hoe u het product moet bedienen in een bepaalde situatie, stop dan en informeer bij uw Husqvarna dealer voordat u verdergaat.
- Denk erom dat de bediener of gebruiker verantwoordelijk is voor ongelukken of beschadigingen aan eigendommen.
- Houd het product schoon. Zorg ervoor dat u de aanduidingen en stickers duidelijk kunt lezen.
- Laat kinderen of mensen die niet bekend zijn met deze gebruiksaanwijzing het apparaat niet gebruiken. Er kunnen plaatselijke regels zijn met betrekking tot de minimumleeftijd voor het bedienen van dit apparaat.
- Houd personen met een lichamelijke of geestelijke beperking die het product gebruiken, altijd in de gaten. Er moet te allen tijde een verantwoordelijke volwassene aanwezig zijn.
- Gebruik het product nooit als u moe of ziek bent, of onder invloed van alcohol, drugs of medicijnen verkeert. Dit heeft een negatief effect op uw visie, alertheid, coördinatie en oordeel.
- Gebruik het product niet als het defect is.
- Wijzig dit product niet of gebruik het niet als het door anderen kan zijn gewijzigd.

Werkveiligheid



WAARSCHUWING: Lees de volgende waarschuwingen voordat u het product gaat gebruiken.

- Gebruik dit product alleen om gazons te maaien. Het is niet toegestaan om het product voor andere doeleinden te gebruiken.
- Maak altijd gebruik van persoonlijke beschermingsmiddelen. Zie Persoonlijke beschermingsuitrusting op pagina 253.
- Zorg ervoor dat u weet hoe u de motor in een noodsituatie snel kunt stoppen.
- Gebruik het product niet in regen of natte omstandigheden. Het risico van een elektrische schok neemt toe als water het product binnendringt.
- Gebruik dit product alleen als het mes en alle afdekkingen correct zijn bevestigd. Een verkeerd bevestigd mes kan losraken en letsel veroorzaken.
- Zorg ervoor dat het mes geen voorwerpen raakt zoals stenen en wortels. Hierdoor kan het mes beschadigd raken en de motoras verbuigen. Een gebogen as veroorzaakt zware trillingen en een zeer groot risico dat het mes losraakt.
- Stop het product onmiddellijk als het mes een voorwerp wordt geraakt of als zich trillingen voordoen. Stop de motor, zet de veiligheidssleutel in de stand "0" en verwijder de accu. Wacht tot de bewegende delen stoppen. Controleer het product op schade. Zet loszittende delen vast. Repareer en vervang beschadigde onderdelen. Laat reparatie aan de gazonmaaier uitvoeren door een erkende servicewerkplaats.
- Bevestig de motorremhendel nooit permanent aan de handgreep wanneer de motor wordt gestart.
- Plaats het product op een stabiele, vlakke ondergrond en start het. Zorg ervoor dat het mes niet in aanraking komt met de grond of andere voorwerpen.
- Blijf altijd achter het product wanneer u het gebruikt.
- Zorg dat alle wielen op de grond blijven en houd 2 handen op de handgreep tijdens de bediening van het product. Houd handen en voeten uit de buurt van roterende messen.
- Til het product niet op als u de motor start of tijdens het bedrijf van het product.
- Wees voorzichtig wanneer u het product naar achteren trekt.
- Til het product nooit op terwijl de motor draait. Als u het product moet optillen, zet dan eerst de motor uit, zet de veiligheidssleutel op 0 en verwijder de accu.
- Loop niet achteruit wanneer u het product bedient.
- Stop de motor als het product moet worden opgetild voor transport of voordat u dit over gebieden zonder gras beweegt, zoals grind-, stenen- en asfaltpaden.

- Loop niet hard met het product wanneer de motor is ingeschakeld. Loop altijd rustig wanneer u het product bedient.
- Zet de motor uit voordat u de maaioogte wijzigt. Voer nooit afstellingen uit terwijl de motor draait.
- Houd altijd toezicht op het product wanneer de motor draait. Schakel de motor uit en zorg ervoor dat de snijuitrusting niet draait.
- De trillingen in het product tijdens het bedrijf kunnen anders zijn dan de opgegeven trillingswaarde in Technische gegevens op pagina 262. Het verschil wordt veroorzaakt door variaties in productgebruik. Als u het product regelmatig of gedurende langere tijd gebruikt, moet u regelmatig onderbrekingen inlassen om letsel door trillingen te voorkomen.

Veiligheidsinstructies voor bediening

Persoonlijke beschermingsuitrusting



WAARSCHUWING: Lees de volgende waarschuwingen voordat u het product gaat gebruiken.

- Persoonlijke beschermingsuitrusting kunnen niet alle risico's uitsluiten maar kunnen de ernst van eventueel letsel helpen beperken. Vraag uw dealer u te helpen bij het kiezen van de juiste beschermingsmiddelen.
- Gebruik zware antisliplaarzen of -schoenen. Draag geen open schoenen en loop niet op blote voeten.
- Draag een lange broek van stevige stof.
- Draag zo nodig beschermende handschoenen, bijvoorbeeld bij het monteren, inspecteren of reinigen van de snijuitrusting.
- Wij adviseren om gehoorbescherming te dragen.

Veiligheidsvoorzieningen op het product



WAARSCHUWING: Lees de volgende waarschuwingen voordat u het product gaat gebruiken.

- Gebruik het product nooit wanneer de veiligheidsvoorzieningen defect zijn.
- Verwijder geen veiligheidsvoorzieningen en voer er geen veranderingen aan uit.
- Controleer de veiligheidsvoorzieningen regelmatig op een juiste werking. Als de veiligheidsvoorzieningen defect zijn, neem dan contact op met uw Husqvarna servicewerkplaats.

De kap van het maaidek controleren

De kap van het maaidek vermindert trillingen in het product en vermindert het risico op letsel door het mes.

- Controleer de kap van het maaidek om te zien of er geen schade is, zoals barsten.

De veiligheidssleutel controleren

De veiligheidssleutel bevindt zich onder het accudeksel. De veiligheidssleutel zorgt voor verbinding met de accu die de motor van voeding voorziet.

- Start de motor en schakel die weer uit bij wijze van controle van de veiligheidssleutel.
- Als de veiligheidssleutel naar behoren werkt, kan de motor alleen worden gestart wanneer de veiligheidssleutel in stand 1 staat. (Fig. 15)

De remhendel van de motor controleren

De remhendel van de motor stopt de motor. Als de remhendel van de motor wordt losgelaten, stopt de motor.

- Start het product. Zie Product starten op pagina 257.
- Laat de remhendel van de motor los. (Fig. 16)
- Controleer of het product stopt. Als de motor niet binnen 3 seconden stopt, laat de motorrem dan afstellen door een erkende Husqvarna servicewerkplaats.

Controleer de startvergrendeling

Controleer de startvergrendeling om er zeker van te zijn dat deze de werking van de motor voorkomt.

1. Druk de hendel van de motorrem in de richting van de handgreep. De startvergrendeling stopt de beweging.
2. Duw de startvergrendeling naar buiten. (Fig. 17)
3. Laat de startvergrendeling los en controleer of deze teruggaat naar de oorspronkelijke stand.

Veiligheid bij accu's



WAARSCHUWING: Lees de volgende waarschuwingen voordat u het product gaat gebruiken.

- Gebruik uitsluitend oplaadbare batterijen van Husqvarna als voedingsbron voor gerelateerde producten van Husqvarna. Gebruik de accu niet als voedingsbron voor andere apparaten, om letsel te voorkomen.
- Gebruik geen niet-oplaadbare accu's.
- Risico van elektrische schok. Breng de accuklemmen niet in contact met sleutels, munten, schroeven of ander metaal. Dit kan kortsluiting van de accu veroorzaken.
- Plaats geen voorwerpen in de luchtspleten van de accu.
- Bescherm de accu tegen direct zonlicht, warmte of open vuur. De accu kan exploderen en brandwonden en/of chemische brandwonden veroorzaken.
- Bescherm de accu tegen regen en vocht.
- Houd de accu uit de buurt van magnetrons en hoge druk.

- Probeer de accu niet te demonteren of te slopen.
- Als er een accu lekt, zorg er dan voor dat de vloeistof niet in aanraking komt met uw huid of ogen. Als u in aanraking bent gekomen met de vloeistof, reinig het oppervlak dan met een ruime hoeveelheid water en raadpleeg een arts.
- Gebruik de accu in het product enkel bij omgevingstemperaturen tussen 5 en 40 °C.
- Gebruik de acculader enkel bij omgevingstemperaturen tussen 5 en 40 °C.
- De accu wordt niet opgeladen als de temperatuur van de accu hoger is dan 50 °C.
- Reinig de accu of acculader nooit met water. Zie Accu en acculader reinigen op pagina 258.
- Gebruik geen defecte of beschadigde accu.
- Sla accu's op uit de buurt van metalen voorwerpen, bijvoorbeeld spijkers, munten en sieraden.

Veiligheidsvoorschriften voor acculader



WAARSCHUWING: Lees de volgende waarschuwingen voordat u het product gaat gebruiken.

- Gebruik de QC-acculaders uitsluitend om vervangende accu's van Husqvarna op te laden.
- Gevaar voor elektrische schokken en kortsluiting. Plaats geen voorwerpen in de luchtspleten van de oplader. Probeer de acculader niet te demonteren. Verbind de laadcontacten niet met metalen objecten. Gebruik een goedgekeurde wandcontactdoos.
- Dit product produceert tijdens bedrijf een elektromagnetisch veld. Dit veld kan onder bepaalde omstandigheden de werking van actieve of passieve medische implantaten verstoren. Om het risico op ernstig of fataal letsel te beperken, raden we personen met een medisch implantaat aan om contact op te nemen met hun arts en de fabrikant van het medische implantaat voordat ze dit product gaan bedienen.
- Controleer regelmatig of de voedingskabel van de acculader niet beschadigd of gescheurd is.
- Til de acculader niet op aan de voedingskabel. Trek aan de stekker om de acculader uit de wandcontactdoos te halen. Trek niet aan de voedingskabel.
- Houd de voedingskabel en de verlengsnoeren uit de buurt van water, olie en scherpe randen. Let op dat de kabel niet bekneld raakt tussen deuren, hekken e.d. Anders kan de lader onder spanning komen te staan.
- Reinig de acculader nooit met water.
- De acculader kan worden gebruikt door kinderen vanaf 8 jaar en ouder en andere personen die ondanks hun fysieke, sensorische of geestelijke handicap of gebrek aan ervaring en kennis onder toezicht of instructie van een verantwoordelijke persoon in staat zijn veilig gebruik te maken van de acculader en op de hoogte zijn van alle gevaren.

Kinderen mogen niet spelen met de acculader.
Kinderen mogen het apparaat niet zonder toezicht reinigen of onderhouden.

- Laad niet-oplaadbare accu's niet op in de acculader.
- Gebruik de acculader niet in de buurt van brandbare materialen of materialen die corrosie kunnen veroorzaken. Dek de acculader niet af. Haal de stekker van de acculader uit de wandcontactdoos bij rookontwikkeling of brand.
- Gebruik geen defecte of beschadigde acculader.
- De accu mag alleen binnenshuis worden opgeladen op een plek met voldoende ventilatie en zonder direct zonlicht. Laad de accu niet op in vochtige omstandigheden.

Veiligheidsinstructies voor onderhoud



WAARSCHUWING: Lees de volgende waarschuwingen voordat u het product gaat gebruiken.

- Om te voorkomen dat het product tijdens onderhoud per ongeluk wordt gestart, draait u de veiligheidssleutel naar 0 en verwijdert u de accu. Wacht minstens 5 seconden voordat u begint met het onderhoud.
- Voer alleen onderhoudswerkzaamheden uit zoals beschreven in deze bedieningshandleiding. Verdere werkzaamheden en professionele reparaties moeten door een erkende

servicewerkplaats worden uitgevoerd. Neem contact op met uw dichtstbijzijnde servicewerkplaats voor meer informatie.

- Voer de onderhoudswerkzaamheden naar behoren uit om de levensduur van het product te verlengen en het risico op ongevallen te verlagen.
- Vervang beschadigde, versleten of defecte onderdelen. Gebruik altijd originele reserveonderdelen van de fabrikant. Andere reserveonderdelen kunnen het product beschadigen en het risico op ongelukken verhogen.
- Verwijder geen veiligheidsvoorzieningen en voer er geen veranderingen aan uit om letsel te voorkomen.
- Draag handschoenen voor zwaar gebruik wanneer u de snijuitrusting hanteert. Het mes is zeer scherp en kan gemakkelijk snijwonden veroorzaken.
- Houd de snijkanten scherp en schoon voor optimale prestaties en veiligheid.
- Laat het product regelmatig controleren door uw servicewerkplaats en laat noodzakelijke aanpassingen en reparaties uitvoeren.
- Volg de instructies voor het vervangen van accessoires. Gebruik alleen accessoires van de fabrikant.
- Houd het product, de accu en de acculader, wanneer deze niet in gebruik zijn, apart in een droge, afgesloten locatie binnenshuis. Zorg dat kinderen en niet-geautoriseerde personen geen toegang hebben tot het product, de accu of de acculader.

Montage

Inleiding



WAARSCHUWING: Lees het hoofdstuk over veiligheid voordat u het product monteert.



WAARSCHUWING: Voorkom onbedoeld starten tijdens de montage door de veiligheidssleutel op 0 te zetten, de accu te verwijderen en ten minste 5 seconden te wachten.

Hendel monteren

1. Klap de bovenste hendel naar voren.

2. Draai de knoppen van de hendel aan. (Fig. 18)

3. Trek de hendel naar achteren tot deze in de eindpositie staat.

4. Klap de hoogte-instellingsbeugel omlaag en plaats deze in de groef. (Fig. 19)

5. Druk de hoogte-instellingsbeugel naar beneden met uw voet. (Fig. 20)

Hoogte van de hendel afstellen

1. Druk de hoogte-instellingsbeugel in met uw voet.
2. Zet de handgreep in de juiste positie en laat de handgreep los. (Fig. 21)

Werking

Inleiding



WAARSCHUWING: Voordat u het product gaat gebruiken, dient u het

hoofdstuk over veiligheid te lezen en hebben begrepen.

Husqvarna Connect

Husqvarna Connect is een gratis app voor uw mobiele apparaat. De Husqvarna Connect-app biedt uitgebreide functies voor uw Husqvarna-product:

- Uitgebreide productinformatie.

- Informatie over, en hulp bij, onderdelen en onderhoud van uw product.

Husqvarna Connect gebruiken

1. Download de Husqvarna Connect-app op uw mobiele apparaat.
2. Registreer in de Husqvarna Connect-app.
3. Volg de instructies in de Husqvarna Connect-app om verbinding te maken met het product en dit te registreren.

Product in de werkstand zetten

1. De hendel monteren. Zie Hendel monteren op pagina 255.
2. Stel de hendelhoogte af. Zie Hoogte van de hendel afstellen op pagina 255.



OPGELET: Zorg ervoor dat de kabels niet te strak gespannen zijn. Een kabel die te strak gespannen staat, kan beschadigd raken als de hendel in de transportstand wordt geklapt.



WAARSCHUWING: Gebruik het product niet als de hendel niet volledig is opgeklapt en in een van de toepasselijke hoogteposities is gezet. Zie Hoogte van de hendel afstellen op pagina 255.

Maaihoogte afstellen

De maaihoogte is in 6 stappen verstelbaar.

1. Stop de motor.
2. Breng de maaihoogtehendel naar achteren om de maaihoogte te vergroten. (Fig. 22)
3. Breng de maaihoogtehendel naar voren om de maaihoogte te verkleinen.



OPGELET: Stel de maaihoogte niet te laag in. Als het oppervlak van het gazon niet waterpas is, kunnen de messen de grond raken.

Accu



WAARSCHUWING: Voordat u het product gebruikt, dient u het hoofdstuk over veiligheid te lezen en hebben begrepen. Zorg er ook voor dat u de bedieningshandleiding bij de accu en de acculader hebt gelezen en begrepen.

Houd de accu en de acculader in de correcte omgevingstemperaturen.

	Omgevingstemperatuur
Accu gebruiken	5 °C – 40 °C
Accu laden	5 °C – 40 °C

Accustatus

Het display geeft de resterende accucapaciteit aan en geeft aan of er problemen zijn met de accu. De accucapaciteit wordt gedurende 5 seconden nadat het product is uitgeschakeld, weergegeven na het indrukken van de accu-indicatorknop. Het waarschuwingssymbool op de accu gaat branden als er een fout is opgetreden. Zie Accu op pagina 259.

(Fig. 23)

Led gaat branden	Accustatus
Alle leds branden	Volledig opgeladen (75 - 100%)
Led 1, led 2, led 3 branden	De accu is 50% - 75% opgeladen
Led 1, led 2 branden	De accu is 25% - 50% opgeladen
Led 1 brandt	De accu is 0% - 25% opgeladen.
Led 1 knippert	De accu is leeg. Laad de accu op.

De accu opladen

Laad de accu voor het eerste gebruik op. De accu is slechts 30% opgeladen wanneer deze aan de klant wordt geleverd.

Let op: De acculader moet worden aangesloten op de spanning en frequentie die overeenkomen met de specificaties op het productplaatje.

De accu wordt niet opgeladen als de accutemperatuur hoger is dan 50°C. De acculader verlaagt de temperatuur van de accu voordat deze begint te laden.

1. Sluit een uiteinde van de voedingskabel voor de acculader aan op de aansluiting van de acculader.
2. Sluit het andere uiteinde van de voedingskabel van de acculader aan op een geaarde wandcontactdoos. De LED op de acculader licht eenmaal groen op. (Fig. 24)
3. Plaats de accu in de acculader. Het groene lampje op de lader gaat branden wanneer de accu correct is aangesloten op de acculader. (Fig. 25)
4. Wanneer alle LED's op de accu branden, is de accu volledig opgeladen. Laad de accu max. 24 uur op.
5. Om de acculader uit de wandcontactdoos los te koppelen, dient u aan de stekker, niet aan de kabel te trekken.

- Haal de accu uit de acculader.

Acculaadstatus

Husqvarna Lithium-ionaccu's kunnen bij elk laadniveau worden opgeladen of gebruikt. De accu wordt niet beschadigd. Een volledig geladen accu zal geen lading verliezen, zelfs niet wanneer de accu in de lader blijft staan.

Led-display	Laadstatus
Led 1 knippert	0%-25%
Led 1 brandt, led 2 knippert	25%-50%
Led 1 en led 2 branden, led 3 knippert.	50%-75%
Led 1, led 2 en led 3 branden, led 4 knippert.	75%-100%
Led 1, led 2, led 3, led 4 branden	Volledig opgeladen

Product starten

- Open het accudeksel.
- Plaats een opgeladen accu in de accuhouder.
- Draai de veiligheidssleutel naar 1. (Fig. 26)
- Blijf achter het product.
- Maak de startvergrendeling los. (Fig. 17)
- Druk de hendel van de motorrem in de richting van de handgreep. (Fig. 27)

De functie SaveE™ gebruiken

Het product heeft een accubesparingsfunctie (SaveE™) die voor een langere bedrijfstijd zorgt.

- Duw de knop SaveE™ naar positie 1 om de functie te starten. (Fig. 28)
- Duw de knop SaveE™ naar positie 0 om de functie uit te schakelen.

Let op: De functie SaveE™ stopt automatisch als de bodemgesteldheid een hoger vermogen vereist. De functie SaveE™ start automatisch opnieuw als de bodemgesteldheid dit toelaat.

Functie voor hoge belasting

Als het product lang of vochtig gras maait, verhoogt de motor automatisch het toerental. De motor gaat terug naar de standaardmodus wanneer een hoge belasting niet noodzakelijk is.

Afslaan van de motor

Tijdens het bedrijf kunnen het blad en de motor tijdelijk stoppen vanwege obstakels zoals blokkering door gras

onder de kap van het maaidek. Als dit gebeurt en u de remhendel van de motor ingedrukt houdt, zal het product proberen om automatisch opnieuw op te starten. Als het product niet binnen 5-10 seconden opnieuw wordt opgestart, kan het nodig zijn om onder de kap van het maaidek te reinigen. Zie Product reinigen op pagina 258.



WAARSCHUWING: Als de motor stopt, probeert het product gedurende 5-10 seconden automatisch opnieuw op te starten. Wacht minimaal 15 seconden voordat u de kap van het maaidek controleert.



WAARSCHUWING: Voordat de kap van het maaidek wordt gecontroleerd moet de remhendel van de motor worden losgelaten, moet de veiligheidssleutel naar 0 worden gezet, moet de accu worden verwijderd en moet minimaal 5 seconden worden gewacht. Er is risico op letsel als het obstakel wordt verwijderd en het product onbedoeld wordt gestart.

Het product stoppen



WAARSCHUWING: Zet de veiligheidssleutel op 0 wanneer u geen toezicht houdt op het product.

- Laat de remhendel van de motor los om de motor te stoppen. (Fig. 29)
- Open het accudeksel en zet de veiligheidssleutel in de stand 0. (Fig. 30)
- Om de accu te verwijderen, drukt u op de 2 ontgrendelknoppen en verwijdert u de accu. (Fig. 31)
- Laad de accu op wanneer deze zwak is. Zie De accu opladen op pagina 256 voor meer informatie.

Een goed resultaat verkrijgen

- Gebruik altijd een scherp mes. Een bot mes geeft een onregelmatig resultaat en het snijvlak van het gras wordt geel. Een scherp mes verbruikt ook minder energie dan een bot mes.
- Maai nooit meer dan 1/3e van de lengte van het gras af. Maai eerst met een hoog ingestelde maaihoogte. Controleer het resultaat en verlaag de snijhoogte tot een geschikt niveau. Als het gras echt lang is, rijd dan langzaam en maai zo nodig 2 keer.
- Maai elke keer in een andere richting, om het ontstaan van strepen in het gazon te voorkomen.
- Houd de kap van het maaidek schoon. Door ophoping van gras en vuil aan de binnenkant van de kap van het maaidek kunnen de maairesultaten verminderen. Zie Product reinigen op pagina 258.

Onderhoud

Inleiding



WAARSCHUWING: Voordat u onderhoud gaat uitvoeren, dient u het hoofdstuk over veiligheid te lezen en hebben begrepen.

Voor alle onderhouds- en reparatiewerkzaamheden aan het product is speciale training nodig. Wij garanderen de beschikbaarheid van professionele reparaties en onderhoud. Indien uw dealer geen servicewerkplaats heeft, vraag hem dan naar de dichtstbijzijnde servicewerkplaats.

Zie www.husqvarna.com voor meer gedetailleerde informatie.

Onderhoudsschema

De onderhoudsintervallen worden berekend op basis van het dagelijks gebruik van het product. De intervallen veranderen als het product niet dagelijks wordt gebruikt.

Voor onderhoud dat is gemarkeerd met *: zie de instructies in Veiligheid op pagina 250.

	Elk gebruik	Maandelijks	Elk seizoen
Voer een algemene inspectie uit.	X		
Reinig het product.	X		
Reinig het gebied rondom de hoogte-instellingsbeugel.	X		
Controleer de startvergrendeling. *	X		
Controleer of de veiligheidsvoorzieningen op het product in orde zijn. *	X		
Controleer de snijuitrusting.	X		
Controleer de kap van het maaidek. *	X		
Controleer de remhendel van de motor. *	X		
Controleer de accu op beschadigingen.	X		
Controleer het laadniveau van de accu.	X		
Controleer of de ontgrendelknoppen op de accu naar behoren werken en de accu in het product wordt vergrendeld.	X		
Controleer de acculader op beschadiging en zorg dat deze naar behoren werkt.		X	
Controleer de verbindingen tussen de accu en het product. Controleer ook de verbinding tussen de accu en de acculader.			X

Algemene inspectie uitvoeren

- Controleer of de moeren en schroeven op het product goed zijn vastgedraaid.
- Zorg dat de kabels van het product zich in een positie vinden waarin ze niet beschadigd kunnen raken.

- Reinig het product niet met een hogedrukspuit.
- Laat nooit water rechtstreeks op de motor stromen.
- Gebruik een borstel om bladeren, gras en vuil te verwijderen.

Accu en acculader reinigen



WAARSCHUWING: Reinig de accu of acculader nooit met water.

Product reinigen

- Reinig de kunststof onderdelen met een schone en droge doek.
- Gebruik geen water om het product te reinigen. Water kan de accu of de motor binnendringen en kortsluiting of schade aan het product veroorzaken.



WAARSCHUWING: Gebruik nooit chemische middelen om de accu te reinigen.

- Zorg ervoor dat de accu en de acculader schoon en droog zijn voordat u de accu in de acculader plaatst.
- Reinig de accupolen met perslucht of gebruik een zachte en droge doek.
- Reinig de oppervlakken van de accu en de acculader met een zachte en droge doek.

Het gebied rondom de hoogte-instellingsbeugel reinigen

- Gebruik een borstel om bladeren, gras en vuil te verwijderen.
(Fig. 32)

Snijuitrusting controleren



WAARSCHUWING: Voorkom onbedoeld starten door de veiligheidssleutel op 0 te zetten, de accu te verwijderen en ten minste 5 seconden te wachten.



WAARSCHUWING: Draag beschermende handschoenen wanneer u onderhoud aan de snijuitrusting uitvoert. Het mes is zeer scherp en kan gemakkelijk snijwonden veroorzaken.

1. Controleer de snijuitrusting op beschadiging of scheuren. Vervang beschadigde snijuitrusting altijd.
2. Kijk naar het mes om te zien of dit is beschadigd of bot is.

Let op: Het mes moet na het slijpen worden gebalanceerd. Laat het slijpen, vervangen en balanceren door een servicecentrum uitvoeren. Als u een obstakel raakt waardoor het product stopt, vervang dan het beschadigde mes. Laat het servicecentrum

beoordelen of het mes kan worden geslepen of moet worden vervangen.

Mes vervangen

Zie Technische gegevens op pagina 262 voor het juiste type blad.



WAARSCHUWING: Vergrendel het blad met een houten blok om letsel aan vingers te voorkomen als u het blad vervangt. Het blad kan worden bewogen als de motor uitgeschakeld is en de vingers kunnen vast komen te zitten tussen het blad en de stationaire delen.

1. Zet het mes vast met een houten blok. (Fig. 33)
2. Verwijder de mesbout, de veerringen en het mes. (Fig. 34)
3. Controleer de messteun en de mesbout om te zien of er schade is.
4. Controleer de motoras om te controleren of deze niet is verbogen.
5. Wanneer u het nieuwe mes bevestigt, richt dan de gebogen uiteinden van het mes naar de kap van het maaidek. (Fig. 35)
6. Controleer of het mes is uitgelijnd met het midden van de motoras.
7. Zet het mes vast met een houten blok. Bevestig de veering en draai de bout en ring vast met een aanhaalmoment van 20 Nm.23–28 (Fig. 36) (Fig. 34)
8. Draai het mes met de hand rond en controleer of het vrij draait.



WAARSCHUWING: Draag handschoenen van dikke stof. Het mes is zeer scherp en kan gemakkelijk snijwonden veroorzaken.

9. Start het product om het mes te testen. Als het mes niet goed is bevestigd, zijn er trillingen in het product of is het maaieresultaat niet goed.

Probleemoplossing

Accu

Led op de accu	Oorzaak	Oplossing
De groene led knippert.	De accuspanning is laag.	Laad de accu op. Zie De accu opladen op pagina 256.

Led op de accu	Oorzaak	Oplossing
De fout-led knippert.	De accu is zwak.	Laad de accu op. Zie De accu opladen op pagina 256.
	De temperatuur in de werkomgeving is te hoog of te laag.	Gebruik de accu bij temperaturen tussen 5 °C en 40 °C.
	Overspanning.	Controleer of de netspanning overeenkomt met de spanning die is aangegeven op het typeplaatje op het product.
Haal de accu uit de acculader. Wacht 5 seconden en probeer de accu opnieuw op te laden. Indien het probleem zich blijft voordoen, neem dan contact op met een erkende servicewerkplaats.		
De fout-led brandt.	Het celverschil is te groot (1 V).	Neem contact op met een erkende servicewerkplaats.

Acculader

Led op de acculader	Oorzaak	Oplossing
De fout-led knippert.	De temperatuur in de werkomgeving is te hoog of te laag.	Gebruik de acculader bij temperaturen tussen 5 °C en 40 °C.
De fout-led brandt.		Neem contact op met een erkende servicewerkplaats.

Gazonmaaier

Het waarschuwinglampje (fout-led) bevindt zich onder het accudeksel.

Probleem	Fout-led (aantal keer knippen)	Oorzaak	Oplossing
Fout-led knippert. Het product werkt niet correct.	5	Het blad is geblokkeerd.	Draai de veiligheidsleutel naar 0 om onbedoeld starten te voorkomen. Verwijder de accu en wacht minimaal 5 seconden. Verwijder mogelijke obstakels en zorg ervoor dat het blad vrij kan draaien. Indien het probleem zich blijft voordoen, neem dan contact op met een erkende servicewerkplaats.
		Het motortoerental daalt te veel en de motor stopt.	Vergroot de maaihoogte. Zie Maaihoogte afstellen op pagina 256.
	10	De motorregeling is te warm.	Stop de motor en wacht tot hij is afgekoeld.

Probleem	Fout-led (aantal keer knipperen)	Oorzaak	Oplissing
Fout-led knippert. Het product stopt.	0	Storing accuconnector.	Controleer de accuconnector.
	3	De motor is overbelast.	Vergroot de maaihoogte. Zie Maaihoogte afstellen op pagina 256.
	8	De accu is zwak.	Laad de accu op. Zie De accu opladen op pagina 256.
	9	Accufout of geen signaal van de accu.	Plaats de accu correct in het product en controleer de accuconnector. Als de fout-led op de accu knippert. Zie Accu-status op pagina 256.
	12	Onjuiste startprocedure. De remhendel van de motor is ingeschakeld voordat de motor start.	Laat de remhendel van de motor los en wacht ongeveer 5 seconden. Druk de remhendel van de motor opnieuw omhoog om het product te starten.
Andere fouten.	Als er andere fouten optreden, draait u de veiligheidssleutel naar 0, verwijdert u de accu en neemt u contact op met een erkende servicewerkplaats.		

Vervoer, opslag en verwerking

Inleiding



WAARSCHUWING: Voorkom onbedoeld starten tijdens transport en opslag door de veiligheidssleutel op 0 te zetten, de accu te verwijderen en ten minste 5 seconden te wachten.

Product in de transportstand zetten

1. Druk de hoogte-instellingsbeugel in met uw voet. (Fig. 37)
2. Trek de hendel omhoog en trek de hoogte-instellingsbeugel uit de groef.
3. Klap de hendel naar voren totdat deze de eindpositie heeft bereikt. (Fig. 38)
4. Klap de hoogte-instellingsbeugel naar de kap van het maaidek toe. (Fig. 39)
5. Draai de hendelknoppen los. (Fig. 40)
6. Klap de bovenste hendel naar achteren. (Fig. 41)

Transport

- De wettelijke vereisten voor gevaarlijke stoffen zijn van toepassing voor de Li-ion-accu's die in het product zitten.
- Voor commercieel transport moet aan speciale vereisten voor de verpakking en labels worden voldaan.
- Zorg dat u de regels voor gevaarlijke materialen in acht neemt bij het voorbereiden van het product

voor transport. Er kunnen lokale voorschriften van toepassing zijn.

- Verwijder voor transport altijd de accu.
- Plaats tape op de accuconnectors en zorg ervoor dat de accu niet kan bewegen tijdens transport.
- Zet het product vast tijdens transport.

Opslag

- Laat het product voor opslag afkoelen.
- Verwijder voor opslag altijd de accu.
- Om ongevallen te voorkomen, dient u ervoor te zorgen dat de accu tijdens opslag niet op het product is aangesloten.
- Bewaar de acculader in een afgesloten en droge ruimte.
- Bewaar de accu en de acculader op een droge, vocht- en vorstvrije plaats.
- Koppel de accu tijdens opslag los van de accu.
- Bewaar de accu niet op plaatsen waar statische elektriciteit aanwezig is. Bewaar de accu niet in een metalen doos.
- Bewaar het product in omgevingstemperaturen tussen -10 °C en 40 °C.
- Bewaar de accu in omgevingstemperaturen tussen 5 °C en 25 °C en nooit in direct zonlicht.
- Bewaar de acculader in omgevingstemperaturen tussen 5 °C en 45 °C en nooit in direct zonlicht.
- Zorg ervoor dat de accu tussen de 30% en 50% is opgeladen alvorens langdurige opslag.

- Bewaar het product, de accu en de acculader in een afgesloten ruimte, buiten bereik van kinderen en onbevoegden.
- Reinig het product en zorg ervoor dat de grasopvangbak leeg is.
- Voer de onderhoudsprocedures uit die in deze bedieningshandleiding staan beschreven. Zie Onderhoudsschema op pagina 258.
- Voer een volledige servicebeurt uit voordat u het product voor langere tijd opslaat.

beschouwd kan worden als huishoudelijk afval. Het moet worden ingeleverd bij een geschikt inzamelstation voor het terugwinnen van elektrische en elektronische apparatuur.

Als u ervoor zorgt dat dit product goed wordt verwerkt, helpt u mogelijk negatieve gevolgen voor het milieu en mensen door verkeerd afvalbeheer van dit product tegen te gaan. Neem voor meer informatie over het recyclen van dit product contact op met de gemeente, het afvalverwerkingsbedrijf of de winkel waar u het product hebt gekocht.

(Fig. 42)

Afvoeren

Symbolen op het product of op de verpakking van het product geven aan dat dit product niet

Technische gegevens

	LB 144i
Maaimotor	
Motortype	BLDC (borstelloos) 36 V
Motortoerental – SavE, tpm	2600/min
Motortoerental – nominaal, tpm	3200/min
Motortoerental – hoge belasting, tpm	3500/min
Uitgangsvermogen motor – max. kW	0,9
Uitgangsvermogen motor – nominaal, kW	0,75
Aandrijfmotor	
Uitgangsvermogen motor – nominaal, kW	N.v.t.
Loopsnelheid, km/h	N.v.t.
Afstelniveaus voor snelheid	N.v.t.
Gewicht	
Gewicht (excl. accu), kg	15,5
Gewicht (incl. 1x Bli30), kg	17,5
Accu	
Type accu	Accuserie Husqvarna
Gebruiksduur accu	
Gebruiksduur accu, min, (onbelast gebruik) met SavE geactiveerd, met één Husqvarna 5,2 Ah-accu (Bli30).	170
Gebruiksduur accu, min, (onbelast gebruik) met standaardmodus geactiveerd, met één Husqvarna 7,5 Ah-accu (Bli30).	135
Geluidsemissies ⁴⁶	

⁴⁶ Geluidsemissie naar de omgeving gemeten als geluidsvermogen (L_{WA}) volgens EG-richtlijn 2000/14/EG.

	LB 144i
Geluidsvermogeniveau, gemeten dB(A)	90
Geluidsvermogensniveau, gegarandeerd L _{WA} dB (A)	92
Geluidsniveaus ⁴⁷	
Geluidsdruk niveau bij het oor van de gebruiker, dB (A)	77
Trillingsniveau ⁴⁸	
Hendel, m/s ²	0,7
Snijuitrusting	
Maaihoogte, mm	25-75
Maai breedte, cm	44
Blad, standaard	Mulch 5298073-10
Mes, accessoire	N.v.t.

Goedgekeurde accu's	Type	Accucapaciteit, Ah	Spanning, V	Gewicht, lb/kg
40-B140	Lithium-ion	4,0	36	2,6/1,2
BLi30	Lithium-ion	7,5	36	4,2/1,9

Goedgekeurde laders voor de gespecificeerde accu's, BLi	Ingangsspanning, V	Frequentie, Hz	Vermogen, W
40-C80	100-240	50-60	68,8
QC250	220-240	50	250

⁴⁷ De gerapporteerde gegevens voor het geluidsdruk niveau hebben een onzekerheidsfactor (K) van 1,5 dB(A).

⁴⁸ Gerapporteerde gegevens voor het trillingsniveau hebben een onzekerheidsfactor (K) van 1,5 m/s². De opgegeven totale trillingswaarde is gemeten overeenkomstig de norm EN 62841-4-3, bijlage I en kan worden gebruikt om machines onderling te vergelijken en voor een voorlopige beoordeling van de blootstelling.

Verklaring van overeenstemming

EU-verklaring van overeenstemming

Wij, **Husqvarna AB**, SE-561 82 Huskvarna,
Zweden, tel: +46-36-146500, verklaren onder onze
alleenverantwoordelijkheid dat het product:

Beschrijving	Gazonmaaier
Merk	Husqvarna
Type / model	LB 144i
Identificatie	Serienummers vanaf 2022 en verder

volledig voldoet aan de volgende EU-richtlijnen en
-regelgeving:

Verordening	Beschrijving
2006/42/EG	"betreffende machines"
2014/30/EU	"betreffende elektromagnetische compatibiliteit"
2000/14/EG	"betreffende de geluidsemissies in het milieu"
2011/65/EU	"inzake beperking van het gebruik van bepaalde gevaarlijke stoffen in elektrische en elektro- nische apparatuur"

en dat de volgende normen en/of technische
specificaties zijn toegepast: EN 62841-1:2015/AC:2015,
EN IEC 62841-4-3:2021/A11:2021, EN ISO 12100:2010,
EN 55014-1:2021, EN 55014-2:2021, EN IEC
61000-6-2:2019, EN IEC 61000-6-3:2021, EN IEC
63000:2018

Aangemelde instantie: 0404, RISE SMP Svensk
Maskinprovning AB, Box 4053, SE-904 03 Umeå,
Sweden is gecertificeerd conform Richtlijn 2000/14/EG
van de Raad, beoordelingsprocedure voor conformiteit:
Bijlage VI.

Voor informatie over geluidsemissies, zie Technische
gegevens op pagina 262.

Huskvarna, 2022-12-05



Claes Losdal, Development Manager/Garden Products,
Husqvarna AB

Verantwoordelijk voor technische documentatie



INNHold

Innledning	265	Feilsøking	275
Sikkerhet	266	Transport, oppbevaring og avhending	276
Montering	271	Tekniske data	277
Drift	271	Samsvarserklæring	279
Vedlikehold	273		

Innledning

Produktbeskrivelse

Produktet er en roterende skyveggressklipper som bruker BioClip for å klippe gresset til gjødsel.

Produktoversikt

(Fig. 1)

1. Håndtak/styrestang
2. Motorbremshåndtak
3. Startsperre
4. Løftehåndtak
5. Klippeaggregat
6. Spak for regulering av klippehøyde
7. Tenningsnøkkel
8. Batterideksel
9. Høydejusteringsbøyle for håndtaket
10. SavE-knapp
11. Varsellampe (feilindikator)
12. Bruksanvisning
13. Batterilader (tilbehør)
14. Batteri (tilbehør)

Symboler på produktet

(Fig. 2) ADVARSEL

(Fig. 3) Les instruksjonene.

(Fig. 4) ADVARSEL – vær oppmerksom på objekter som kan slynges ut.

(Fig. 5) Hold tilskuere på avstand.

(Fig. 6) ADVARSEL – hold hender og føtter borte fra bladene.

(Fig. 7) ADVARSEL – koble fra batteriet før vedlikehold.

(Fig. 8) Produktet og produktemballasjen er ikke restavfall. Resirkuler det på et gjenvinningsanlegg for elektrisk og elektronisk utstyr.

Bruksområder

Bruk produktet til å klippe gress. Ikke bruk produktet til andre oppgaver.

(Fig. 9)

Støyutslipp til omgivelsene som i EU-direktiver og forskrifter, britiske direktiver og forskrifter og New South Wales-forskriften «Protection of the Environment Operations (Noise Control) Regulation 2017». Garantert lydeffektnivå for produktet er angitt i Tekniske data på side 277 og på etiketten.

(Fig. 10)

Dette utstyret er i overensstemmelse med gjeldende EU-direktiver.

(Fig. 11)

Dette produktet samsvarer med gjeldende britiske direktiver.

(Fig. 12)

Produktet er dryppebeskyttet.

(Fig. 13)

Slipp motorbremshåndtaket for å stoppe.

(Fig. 14)

Kode som kan skannes.

Merk: Øvrige symboler/klistremerker angitt på produktet gjelder sertifiseringskrav for visse markeder.

Produktansvar

Som nevnt i lovverket om produktansvar er vi ikke ansvarlig for skader som produktet vårt forårsaker, i følgende tilfeller:

- Produktet er reparert på feil måte.
- Produktet er reparert med deler som ikke kommer fra produsenten eller som ikke er godkjent av produsenten.
- Produktet har et tilbehør som ikke kommer fra produsenten eller som ikke er godkjent av produsenten.
- Produktet er ikke reparert på et godkjent servicesenter eller av en godkjent aktør.

Sikkerhet

Sikkerhetsdefinisjoner

Advarsler, oppfordringer og merknader brukes for å understreke spesielt viktige deler av bruksanvisningen.



ADVARSEL: Brukes hvis det er fare for personskade eller død for brukeren eller andre personer om instruksjonene i håndboken ikke følges.



OBS: Brukes hvis det er fare for skade på produktet, annet materiell eller nærliggende områder om instruksjonene i håndboken ikke følges.

Merk: Brukes for å gi mer nødvendig informasjon for en spesifikk situasjon.

Generelle sikkerhetsadvarsler for produkt



ADVARSEL: Les alle sikkerhetsadvarsler, instruksjoner, illustrasjoner og spesifikasjoner som fulgte med dette produktet. Hvis du ikke følger alle instruksjonene som er angitt nedenfor, kan det føre til elektrisk støt, brann og/eller alvorlige skader.

Ta vare på alle advarsler og instruksjoner for fremtidig bruk. Begrepet «produkt» i advarslene refererer til elektriske produkter som drives av nettstrøm (med ledning) eller batteri (uten ledning).

Sikkerhet i arbeidsområdet

- Hold arbeidsområdet rent og godt opplyst. Rot og dårlig opplyste områder kan lett føre til ulykker.
- Ikke bruk produktet i eksplosiv atmosfære, for eksempel der det finnes brennbare væsker, gasser eller støv. Produktet danner gnister som kan antenne støv eller gasser.
- Hold barn og andre tilskuere på avstand når produktet er i bruk. Distraksjoner kan føre til at du mister kontrollen.

El-sikkerhet

- Støpselet til produktet må passe til stikkkontakten. Du må aldri modifisere støpselet på noen måte. Ikke bruk adapterpluggen sammen med jordete produkter. Når støpselet/pluggen ikke er modifisert og stikkkontakten passer, vil dette redusere faren for elektrisk støt.
- Unngå kroppskontakt med jodede flater, for eksempel rør, radiatorer, komfyrer og kjøleskap.

Faren for elektrisk støt øker hvis kroppen til brukeren er jordat.

- Produktet må ikke utsettes for regn eller fuktighet. Hvis det kommer vann inn et produkt, øker faren for elektrisk støt.
- Ledningen må håndteres forsiktig. Bruk aldri ledningen til å bære, trekke med deg, eller til å trekke ut støpselet til produktet. Hold ledningen unna varme, olje, skarpe kanter og bevegelige deler. Skadet eller sammenflokete ledninger øker faren for elektrisk støt.
- Når et produkt brukes utendørs, må det brukes en skjøteledning som er egnet for utendørsbruk. Bruk av ledning for utendørs bruk reduserer faren for elektrisk støt.
- Hvis et produkt må brukes på et fuktig sted, bør det være koblet til en strømkrets som er beskyttet av jordfeilbryter. Bruk av jordfeilbryter reduserer faren for elektrisk støt.

Personlig sikkerhet

- Vær oppmerksom, følg med på det du gjør, og bruk sunn fornuft når du bruker et produkt. Ikke bruk et produkt hvis du er trett eller påvirket av narkotika, alkohol eller medisiner. Et øyeblikks uoppmerksomhet under bruk av produkter kan føre til alvorlig personskade.
- Bruk personlig verneutstyr. Bruk alltid vernebriller. Bruk av verneutstyr som støvmaske, vernebo med antisklisåle, hjelm og hørselvern der det kreves, reduserer faren for personskade.
- Unngå utilsiktet oppstart. Forsikre deg om at bryteren står i av-stillingen før du kobler til strømforsyningen og/eller batteripakken, tar opp produktet eller bærer produktet. Hvis du bærer et produkt med en finger på bryteren eller med produktet påslått, kan dette lett føre til ulykker.
- Fjern eventuelle justeringsnøkler før du slår på produktet. Nøklene som sitter på de roterende delene av produktet, kan føre til personskade.
- Ikke strekk deg for langt. Hold alltid føttene på bakken og en balansert stilling. Dette gir deg bedre kontroll over produktet i uventede situasjoner.
- Bruk egnede klær. Bruk ikke løstsittende klær eller smykker. Hold hår og klær borte fra bevegelige deler. Løstsittende klær, smykker eller langt hår kan sette seg fast i bevegelige deler.
- Hvis apparatet er forsynt med tilkobling for støvsuger eller oppsamler, må du forsikre deg om at disse er riktig tilkoblet og brukes på riktig måte. Bruk av støvoppsamler kan redusere faren for støvrelaterte skader.
- Selv om du har lang erfaring med bruk av produkter, må du ikke bli uforsiktig eller ignorere sikkerhetsreglene. En uforsiktig handling kan føre

til alvorlig personskade i løpet av en brøkdell av et sekund.

Bruk og vedlikehold av produktet

- **Ikke bruk makt på produktet. Bruk riktig produkt til den aktuelle oppgaven.** Riktig produkt vil gjøre jobben bedre og sikrere i den hastigheten den er konstruert for.
- **Ikke bruk produktet hvis bryteren ikke lar seg slå på og av.** Produkter som ikke kan kontrolleres med bryteren, er farlige, og må repareres.
- **Koble støpselet fra strømforsyningen og/eller batteripakken fra produktet, hvis det er avtakbart, før du foretar justeringer, skifter tilbehør eller legger unna produktet for oppbevaring.** Slike forebyggende sikkerhetstiltak reduserer faren for at produktet starter ved et uhell.
- **Produkter som ikke er i bruk, må oppbevares utilgjengelig for barn.** Ikke la produkter brukes av personer som ikke er kjent med produktene eller disse instruksjonene. Produkter er farlige når de brukes av uerfarne brukere.
- **Vedlikehold produkter og tilbehør.** Kontroller for feil innretting eller festing av bevegelige deler, brudd på deler eller andre tilstander som kan påvirke produktets funksjon. Hvis produktet er ødelagt, må det repareres før bruk. Mange ulykker forårsakes av dårlig vedlikeholdte produkter.
- **Hold skjæreverktøy skarpe og rene.** Riktig vedlikeholdte skjæreverktøy med skarpe skjærekanten har mindre fare for å sette seg fast, og er lettere å kontrollere.
- **Bruk produktet, tilbehør og verktøybits osv. i henhold til disse instruksjonene, og i forhold til arbeidsforholdene og arbeidet som skal utføres.** Bruk av produkter til andre oppgaver enn de er laget for, kan føre til farlige situasjoner.
- **Hold håndtakene og gripeflatene tørre, rene og frie for olje og fett.** Glatte håndtak og gripeflater gjør trygg håndtering og kontroll av produktet i uventede situasjoner umulig.

Bruk og pleie av batteriverktøy

- **Må bare lades med laderen som er spesifisert av produsenten.** En lader som passer til én batteripakke kan skape brannfare hvis den brukes med en annen batteripakke.
- **Produkter skal bare brukes med spesielt angitte batteripakker.** Bruk av andre batteripakker kan medføre fare for personskade og brann.
- **Når batteriet ikke er i bruk, må det holdes unna andre metallgjenstander som binders, mynter, nøkler, spiker, skruer og andre små metallgjenstander som kan danne en forbindelse fra den ene batteripolen til den andre.** Kortslutning av batteripolene kan føre til forbrenning eller brann.
- **Hvis batteriet utsettes for store påkjenninger, kan det komme væske ut av det.** Unngå i så fall kontakt med denne væsken. Skyll med vann hvis kontakt oppstår ved et uhell. Hvis du får væske i øynene, kontakt

lege øyeblikkelig. Væske som kommer ut av batteriet kan forårsake irritasjon eller forbrenninger.

- **Ikke bruk batteripakken eller verktøyet hvis det er skadet eller endret.** Skadede eller endrede batterier kan ha en uforutsigbar adferd, noe som kan føre til brann, eksplosjoner eller personskader.
- **Ikke eksponer en batteripakke eller et verktøy for brann eller for høy temperatur.** Eksponering for flammer eller temperaturer over 130 °C (265 °F) kan føre til eksplosjon.
- **Følg alle instruksjoner for lading, og ikke lad batteripakken eller verktøyet utenfor temperaturområdet som er angitt i instruksjonene.** Lading på feil måte eller ved temperaturer utenfor det angitte området kan påføre batteriet skade og øke faren for brann.

Service

- **La en kvalifisert reparatør utføre service kun med identiske reservedeler.** Dette sørger for at produktets sikkerhet opprettholdes.
- **Utfør aldri service på skadede batteripakker.** Service av batteripakker skal kun utføres av produsenten eller autoriserte serviceleverandører.

Sikkerhetsadvarsler for gressklipperen

- **Ikke bruk gressklipperen i dårlig vær, spesielt ikke når det er fare for lyn og torden.** Dette øker faren for å bli truffet av lynnedslag.
- **Inspiser området grundig for dyreliv der gressklipperen skal brukes.** Dyreliv kan skades av gressklipperen under bruk.
- **Kontroller området grundig der gressklipperen skal brukes, og fjern alle steiner, pinner, ledninger, bein og andre fremmedlegemer.** Gjenstander som slynges ut, kan forårsake personskade.
- **Før du bruker gressklipperen må du alltid inspisere skjærebladet og knivsammenstillingen etter synlige tegn på slitasje eller skade.** Skadede deler øker faren for personskade.
- **Kontroller gressutkasteren ofte med tanke på slitasje eller skader.** En slitt eller skadet gressoppsamler kan øke faren for personskade.
- **Hold dekslene på plass.** Dekslene må være i god stand og være riktig montert. Et deksel som er løst, skadet eller som ikke fungerer som det skal, kan føre til personskade.
- **Sørg for at det ikke kommer rusk inn i kjøleluftinntaket.** Blokkerte luftinntak og rusk kan føre til overoppheting eller brannfare.
- **Bruk alltid sklisikkert og beskyttende føttøy når du bruker gressklipperen.** Ikke vær barbeint eller bruk åpne sandaler når du bruker gressklipperen. Dette reduserer faren for skade på føttene fra kontakt med skjærebladet når det er i bevegelse.
- **Bruk alltid lange bukser når du bruker gressklipperen.** Hud som ikke er dekket er mer sannsynlig å skades av gjenstander som kan slynges ut.

- **Ikke bruk gressklipperen i vått gress. Gå, ikke løp.** Dette reduserer faren for å skli og falle, som kan føre til personskade.
- **Ikke bruk gressklipperen i svært bratte skråninger.** Dette reduserer risikoen for å miste kontrollen, skli og falle, som kan føre til personskade.
- **Når du arbeider i skråninger, må du alltid stå støtt, alltid arbeide på tvers av skråninger, aldri opp eller ned dem, og være svært forsiktig når du skifter retning.** Dette reduserer risikoen for å miste kontrollen, skli og falle, som kan føre til personskade.
- **Vær ekstremt forsiktig når du kjører i revers eller trekker gressklipperen mot deg. Vær alltid oppmerksom på omgivelsene dine.** Dette reduserer faren for å snuble under drift.
- **Ikke ta på skjærebladene eller andre farlige bevegelige deler mens de fortsatt er i bevegelse.** Dette reduserer faren for skader fra bevegelige deler.
- **Når du fjerner fastkjørt materiale eller utfører service på gressklipperen, må du kontrollere at alle strømbrytere er av, og at strømledningen er koblet fra.** Uventet bruk av gressklipperen kan føre til alvorlig personskade.

Reststrømenhet

- Bruk en reststrømenhet med en utlåsingsstrøm på maksimalt 30 mA.

Generelle sikkerhetsinstruksjoner



ADVARSEL: Les de følgende advarselinstruksjonene før du bruker produktet.

- Dette produktet er farlig hvis det brukes feil, eller hvis du ikke er forsiktig. Personskade eller død kan forekomme hvis du ikke følger sikkerhetsinstruksjonene.
- Dette produktet danner et elektromagnetisk felt når det er i bruk. Dette feltet kan under visse forhold forstyrre aktive eller passive medisinske implantater. For å redusere faren for hendelser som kan føre til alvorlig eller livstruende skade, anbefaler vi at personer med medisinske implantater rådfører seg med lege og produsenten av det medisinske implantatet før dette produktet tas i bruk.
- Vær alltid forsiktig, og bruk sunn fornuft. Hvis du ikke er sikker på hvordan du skal bruke produktet i en bestemt situasjon, må du stoppe og snakke med Husqvarna-forhandleren før du fortsetter.
- Husk at brukeren er ansvarlig for ulykker som involverer andre personer eller deres eiendom.
- Hold produktet rent. Sørg for at du kan lese skilt og merker.
- La aldri barn eller personer som ikke har satt seg inn i bruksanvisningen, bruke apparatet. Brukerens lavalder kan være fastsatt i lokale forskrifter.

- Overvåk alltid personer med redusert fysisk eller mental kapasitet når de bruker produktet. En ansvarlig voksen må alltid være til stede.
- Ikke bruk produktet dersom du er trett eller syk eller under påvirkning av alkohol, andre rusmidler eller medisiner. Disse tingene har en negativ effekt på synet, vurderingsevnen og dømmekraften din.
- Ikke bruk produktet hvis det er defekt.
- Ikke modifier dette produktet, og ikke bruk det dersom det er mulig at andre har modificert det.

Arbeidssikkerhet



ADVARSEL: Les de følgende advarselinstruksjonene før du bruker produktet.

- Bruk dette produktet bare til å klippe gressplener. Det er ikke tillatt å bruke det til andre formål.
- Bruk personlig verneutstyr. Se Personlig verneutstyr på side 269.
- Sørg for at du vet hvordan du stopper motoren raskt i en nødsituasjon.
- Produktet må ikke brukes i regn eller fuktige omgivelser. Fare for elektrisk støt øker hvis det kommer vann inn i produktet.
- Ikke bruk produktet med mindre kniven og alle deksler er riktig montert. En kniv som er feilmontert, kan løsne og forårsake personskade.
- Pass på at kniven ikke kommer borti gjenstander som steiner og røtter. Dette kan skade kniven og bøye motorakselen. En bøyd aksel kan forårsake mye vibrasjon og utgjør en svært høy fare for at kniven blir løs.
- Hvis kniven treffer en gjenstand eller det oppstår kraftige vibrasjoner, må produktet stanses øyeblikkelig. Stopp motoren, vri tenningsnøkkelen til 0, og fjern batteriet. Vent til alle bevegelige deler har stoppet. Kontroller produktet for skader. Stram til løse deler. Reparer skader og skift ut skadde deler. La et godkjent serviceverksted utføre reparasjonen.
- Du må aldri feste motorbremshåndtaket permanent til håndtaket når motoren er i gang.
- Plasser produktet på et stabilt, flatt underlag, og start det. Pass på at kniven ikke berører bakken eller andre gjenstander.
- Hold deg alltid bak produktet når du bruker det.
- La alle hjulene være på bakken, og hold begge hender på håndtaket når du bruker produktet. Hold hender og føtter borte fra de roterende knivene.
- Ikke vipp produktet når du starter motoren eller under bruk av produktet.
- Vær forsiktig når du trekker produktet bakover.
- Du må aldri løfte produktet når motoren er i gang. Hvis du har behov for å løfte produktet, må du først stoppe motoren, vri tenningsnøkkelen til 0 og fjerne batteriet.
- Ikke gå bakover når du bruker produktet.

- Stopp motoren når det er nødvendig å vippe produktet for transport eller før du beveger deg over områder uten gress, for eksempel gangveier med grus, stein og asfalt.
- Ikke løp med produktet når motoren er på. Du må alltid gå mens du bruker produktet.
- Stopp motoren før du endrer klippehøyde. Utfør aldri justeringer mens motoren er i gang.
- La aldri produktet være ute av syne mens motoren er i gang. Stopp motoren, og forsikre deg om at skjæreutstyret ikke roterer.
- Vibrasjonene i produktet under drift kan være forskjellige fra den oppgitte vibrasjonsverdien i Tekniske data på side 277. Forskjellen skyldes variasjoner i hvordan produktet brukes. Hvis du bruker produktet ofte eller over lengre tid, må du ta pauser regelmessig for å unngå skader fra vibrasjonene.

Sikkerhetsinstruksjoner for drift

Personlig verneutstyr



ADVARSEL: Les de følgende advarselinstruksjonene før du bruker produktet.

- Verneutstyr kan aldri fullstendig forhindre skade, men det reduserer skadeomfanget hvis ulykken inntreffer. Spør forhandleren din om hjelp til å velge riktig utstyr.
- Bruk kraftige, sklisliske støvler eller sko. Ikke bruk åpne sko eller gå barbeint.
- Bruk tykke langbukser.
- Bruk vernehansker når det er nødvendig, for eksempel når du fester, undersøker eller rengjør skjæreutstyret.
- Vi anbefaler at du bruker hørselsvern.

Sikkerhetsutstyr på produktet



ADVARSEL: Les de følgende advarselinstruksjonene før du bruker produktet.

- Ikke bruk produktet dersom sikkerhetsutstyret er defekt.
- Ikke fjern eller gjør endringer på sikkerhetsutstyret.
- Utfør regelmessig kontroll av sikkerhetsutstyret. Ta kontakt med ditt Husqvarna-serviceverksted, dersom sikkerhetsutstyret er defekt.

Slik kontrollerer du klippedekelet

Klippedekelet gir mindre vibrasjoner og minsker risikoen for skader forårsaket av kniven.

- Undersøk klippedekelet for å sikre at det ikke er noen skader, for eksempel sprekker.

Slik kontrollerer du tenningsnøkkelen

Tenningsnøkkelen er under batteridekselet. Tenningsnøkkelen kobler til batteriet som forsyner motoren med strøm.

- Skru motoren på og av for å utføre en kontroll av tenningsnøkkelen.
- Hvis tenningsnøkkelen fungerer riktig, kan motoren bare starte når tenningsnøkkelen er i posisjon 1. (Fig. 15)

Kontroller motorbremsåndtaket

Motorbremsåndtaket stopper motoren. Når du slipper motorbremsåndtaket, stopper motoren.

- Start produktet. Se Slik starter du produktet på side 272.
- Slipp motorbremsåndtaket. (Fig. 16)
- Kontroller at produktet stopper. Hvis motoren ikke stopper innen tre sekunder, må du la et godkjent Husqvarna-serviceverksted justere motorbremsen.

Kontroller startspærren

Utfør en kontroll av startspærren for å sikre at den hindrer driften av motoren.

1. Trykk motorbremsåndtaket i retning av styret. Startspærren stopper bevegelsen.
2. Skyv startspærren ut. (Fig. 17)
3. Løsne startspærren, og kontroller at den går tilbake til sin opprinnelige posisjon.

Batterisikkerhet



ADVARSEL: Les de følgende advarselinstruksjonene før du bruker produktet.

- Bruk bare Husqvarna oppladbare batterier som strømforsyning for relaterte Husqvarna-produkter. For å unngå personskader må du ikke bruke batteriet som strømforsyning for andre enheter.
- Ikke bruk ikke-oppladbare batterier.
- Fare for elektrisk støt. Ikke la batteripolene komme i kontakt med nøkler, mynter, skruer eller andre metallgjenstander. Dette kan føre til kortslutning av batteriet.
- Ikke sett gjenstander inn i luftåpningene til batteriet.
- Hold batteriet unna sollys, varme og åpen ild. Batteriet kan eksplodere og forårsake forbrenninger og/eller kjemiske forbrenninger.
- Hold batteriet unna regn og fuktighet.
- Hold batteriet unna mikrobølger og høyt trykk.
- Ikke prøv å demontere eller ødelegge batteriet.
- Hvis batteriet lekker, må væsken ikke komme i kontakt med hud eller øyne. Hvis du har berørt væsken, må du rengjøre området med store mengder vann og oppsøke legehjelp.

- Bruk batteriet i produktet bare i omgivelsestemperaturer fra 5 °C til 40 °C.
- Bruk batteriladeren bare i omgivelsestemperaturer fra 5 °C til 40 °C.
- Batteriet lades ikke hvis batteritemperaturen er på over 50 °C.
- Ikke rengjør batteriet eller batteriladeren med vann. Se Slik rengjør du batteriet og batteriladeren på side 274.
- Ikke bruk et defekt eller skadet batteri.
- Oppbevar batteriene unna metallgjenstander, for eksempel spikre, mynter og smykker.

- Ikke lad engangsbatterier i batteriladeren.
- Ikke bruk batteriladeren i nærheten av brennbare materialer eller materialer som kan forårsake korrosjon. Batteriladeren må ikke tildekkes. Trekk ut støpselet til batteriladeren hvis det oppstår røyk eller brann.
- Ikke bruk en defekt eller skadet batterilader.
- Bare lad batteriet innendørs på et sted som har god luft sirkulasjon og er beskyttet mot direkte sollys. Ikke lad batteriet i fuktige omgivelser.

Sikkerhetsinstruksjoner for vedlikehold



ADVARSEL: Les de følgende advarselinstruksjonene før du bruker produktet.



ADVARSEL: Les de følgende advarselinstruksjonene før du bruker produktet.

- Bruk QC-batteriladere bare til å lade Husqvarna-erstatningsbatteriene.
- Fare for elektrisk støt eller kortslutning. Ikke sett gjenstander inn i luftåpningene til laderen. Ikke prøv å demontere batteriladeren. Ikke la ladekontaktene berøre metallgjenstander. Bruk en godkjent stikkontakt.
- Dette produktet danner et elektromagnetisk felt når det er i bruk. Dette feltet kan under visse forhold forstyrre aktive eller passive medisinske implantater. For å redusere faren for forhold som kan føre til alvorlig eller livstruende skade, anbefaler vi at personer med medisinske implantater rådfører seg med sin lege og produsenten av det medisinske implantatet før dette produktet tas i bruk.
- Kontroller regelmessig at strømledningen til batteriladeren ikke er skadet, og at det ikke er sprekker i den.
- Ikke løft batteriladeren etter strømledningen. For å koble laderen fra stikkontakten drar du i støpselet. Ikke dra i ledningen.
- Hold strømledningen og skjøteledninger borte fra vann, olje og skarpe kanter. Pass på at kabelen ikke kommer i klem i dører, gjerder eller lignende. Det kan føre til at laderen blir strømførende.
- Ikke rengjør batteriladeren med vann.
- Batteriladeren kan brukes av barn over 8 år og personer med nedsatte fysiske og mentale evner eller personer uten erfaring eller kunnskap hvis de får tilsyn eller instruksjoner om hvordan de bruker batteriladeren på en sikker måte, og forstår farene ved bruken. Barn skal ikke leke med batteriladeren. Rengjøring og vedlikehold skal ikke utføres av barn uten tilsyn.

- Når du skal hindre utilsiktet start under vedlikehold, vrir du om tenningsnøkkelen til 0 og tar ut batteriet. Vent i minst 5 sekunder før du begynner vedlikeholdet.
- Utfør bare vedlikeholdsarbeid som er beskrevet i denne bruksanvisningen. Mer omfattende inngrep og profesjonelle reparasjoner skal utføres av et godkjent serviceverksted. Snakk med nærmeste serviceverksted for mer informasjon.
- Utfør vedlikeholdsarbeidet på riktig måte for å øke levetiden til produktet og redusere risikoen for ulykker.
- Skift ut alle skadde, slitte eller ødelagte deler. Bruk bare originale reservedeler fra produsenten. Andre reservedeler kan forårsake skade på produktet og øke risikoen for ulykker.
- For å forhindre skade må du ikke fjerne eller gjøre endringer på sikkerhetsstyret.
- Ta på kraftige hansker når du bruker skjæreutstyret. Kniven er svært skarp, og det er lett å skjære seg.
- Hold skjærekantene skarpe og rene for best og sikrest ytelse.
- La serviceverkstedet undersøke produktet regelmessig og utføre de nødvendige justeringene og reparasjonene.
- Følg instruksjonene for utskifting av tilbehør. Bruk bare tilbehør fra produsenten.
- Når de ikke er i bruk, oppbevarer du produktet, batteriet og batteriladeren fra hverandre i et tørt, innendørs og avlåst område. Kontroller at barn og personer som ikke er autoriserte, ikke kan få tilgang til produktet, batteriet eller batteriladeren.

Montering

Innledning



ADVARSEL: Før du monterer produktet, må du lese kapittelet om sikkerhet.



ADVARSEL: Når du skal hindre utilsikket start ved montering, vrir du tenningsnøkkel til 0, tar ut batteriet og venter i minst fem sekunder.

Slik monterer du håndtaket

1. Vipp det øvre håndtaket forover.

2. Trekk til håndtaksknottene. (Fig. 18)
3. Trekk håndtaket bakover til det er i endestillingen.
4. Fold ned høydejusteringsbøylen, og plasser den i sporet. (Fig. 19)
5. Trykk ned høydejusteringsbøylen med foten. (Fig. 20)

Slik justerer du høyden på håndtaket

1. Trykk inn høydejusteringsbøylen med foten.
2. Sett styrearmen i riktig stilling, og slipp styrearmen. (Fig. 21)

Drift

Innledning



ADVARSEL: Før du bruker produktet, må du lese og forstå kapittelet om sikkerhet.



ADVARSEL: Ikke bruk produktet med mindre håndtaket er helt foldet opp og satt i en av de aktuelle høydeposisjonene. Se Slik justerer du høyden på håndtaket på side 271.

Husqvarna Connect

Husqvarna Connect er en kostnadsfri app for mobilenheten din. Husqvarna Connect-appen gir utvidede funksjoner for Husqvarna-produktet ditt:

- utvidet produktinformasjon
- informasjon om og hjelp med produkt deler og service

Slik begynner du å bruke Husqvarna Connect

1. Last ned Husqvarna Connect-appen på mobilenheten din.
2. Utfør registrering i Husqvarna Connect-appen.
3. Følg instruksjonene i Husqvarna Connect-appen for å koble til og registrere produktet.

Slik setter du produktet i arbeidsstilling

1. Monter håndtaket. Se Slik monterer du håndtaket på side 271.
2. Juster høyden på håndtaket. Se Slik justerer du høyden på håndtaket på side 271.



OBS: Kontroller at kablene ikke har for hard stramming. For hard stramming kan føre til skade på kablet hvis håndtaket felles ned i transportstilling.



OBS: Ikke sett klippehøyden for lavt. Skjærebladene kan treffe bakken hvis overflaten på plenen ikke er vannrett.

Batteri



ADVARSEL: Før du bruker batteriet, må du lese og forstå kapittelet om sikkerhet. Du må også lese og forstå bruksanvisningen for batteriet og batteriladeren.

Batteriet og batteriladeren må oppbevares i riktig omgivelsestemperatur.

	Omgivelsestemperatur
Bruk av batteriet	5 °C til 40 °C
Lade batteriet	5 °C til 40 °C

Batteristatus

Displayet viser gjenværende batterikapasitet og eventuelle problemer med batteriet. Batterikapasiteten vises i 5 sekunder etter at produktet er slått av, eller når batteriindikatorknappen trykkes inn. Advarsels symbolet på batteriet lyser hvis en feil oppstår. Se Batteri på side 275.

(Fig. 23)

LED-lamper	Batteristatus
Alle LED-indikatorer lyser	Fullt ladet (75–100 %)
LED 1, LED 2, LED 3 lyser.	Batteriet er 50–75 % ladet.
LED 1, LED 2 lyser.	Batteriet er 25–50 % ladet.
LED 1 lyser.	Batteriet er 0–25 % ladet.
LED 1 blinker	Batteriet er utladet. Lad batteriet.

Slik lader du batteriet

Lad batteriet før første gangs bruk. Batteriet er bare 30 % oppladet når det leveres til kunden.

Merk: Batteriladeren må kobles til den spenningen og frekvensen som er angitt på typeskiltet.

Batteriet lades ikke hvis batteritemperaturen er over 50 °C. Batteriladeren reduserer batteriets temperatur før den begynner å lade.

1. Koble den ene enden av strømledningen for batteriladeren inn i kontakten på batteriladeren.
2. Koble den andre enden av strømledningen for batteriladeren inn i en jordet stikkontakt. LED-indikatoren på batteriladeren blinker grønt én gang. (Fig. 24)
3. Sett batteriet i batteriladeren. Den grønne lampen på laderen tennes når batteriet er riktig koblet til laderen. (Fig. 25)
4. Når alle LED-indikatorerne på batteriet lyser, er batteriet fulladet. Lad batteriet i maks. 24 timer.
5. For å koble laderen fra stikkontakten må du dra i selve støpselet, ikke i ledningen.
6. Fjern batteriet fra batteriladeren.

Batteriladestatus

Husqvarna Litium-ion-batteriene kan lades eller brukes ved hvilket som helst lade nivå. Batteriet blir ikke skadet. Et fullt ladet batteri mister ikke ladingen selv om batteriet blir stående i laderen.

LED-display	Ladestatus
LED 1 blinker	0–25 %

LED-display	Ladestatus
LED 1 lyser, LED 2 blinker	25–50 %
LED 1, LED 2 lyser, LED 3 blinker	50–75 %
LED 1, LED 2, LED 3 lyser, LED 4 blinker	75–100 %
Lampe 1, lampe 2, lampe 3 og lampe 4 tennes	Fulladet

Slik starter du produktet

1. Åpne batteridekselet.
2. Sett et oppladet batteri inn i batteriholderen.
3. Vri tenningsnøkkelen til 1. (Fig. 26)
4. Stå bak produktet.
5. Løsne startsperreren. (Fig. 17)
6. Trykk motorbrems håndtaket i retning av håndtaket. (Fig. 27)

Slik bruker du Save™-funksjonen

Produktet har en batterisparefunksjon (Save™) som gir lengre driftstid.

- Skyv Save™-knappen til posisjon 1 for å starte funksjonen. (Fig. 28)
- Skyv Save™-knappen til posisjon 0 for å stoppe funksjonen.

Merk: Save™-funksjonen stopper automatisk hvis bakkeforholdene gjør det nødvendig med høyere effekt. Save™-funksjonen starter automatisk igjen når bakkeforholdene tillater det.

Høybelastningsfunksjon

Når produktet klipper langt eller vått gress, øker motoren automatisk turtallet. Motoren går tilbake til standardmodus når høy last ikke er nødvendig.

Motoren kveles

Under drift kan skjærebladet og motoren stoppe midlertidig på grunn av hindringer, for eksempel fordi klippedekselet blokkeres av gress. Hvis dette skjer, og du fortsetter å holde motorbrems håndtaket trykket ned, starter produktet automatisk på nytt. Hvis produktet ikke starter på nytt innen 5–10 sekunder, kan det være nødvendig å rengjøre klippedekselet. Se Slik rengjør du produktet på side 274.



ADVARSEL: Hvis motoren stopper, prøver produktet automatisk å starte på nytt i 5–10 sekunder. Vent i minst 15 sekunder før du kontrollerer klippedekselet.



ADVARSEL: Før du kontrollerer klippedekselet, slipper du motorbremsåndtaket, vrir tenningsnøkkelen til 0, tar ut batteriet og venter i minst 5 sekunder. Det er fare for personskaade hvis hindringen fjernes og produktet starter ved et uhell.

Slik stopper du produktet



ADVARSEL: Vri tenningsnøkkelen til 0 før du slipper produktet ut av syne.

1. Slipp motorbremsåndtaket for å stoppe motoren. (Fig. 29)
2. Åpne batteridekselet og vri tenningsnøkkelen til 0. (Fig. 30)
3. Når du skal ta ut batteriet, trykker du på de to utløserknappene og trekker ut batteriet. (Fig. 31)

4. Lad batteriet hvis nivået er lavt. Hvis du vil ha mer informasjon, kan du se Slik lader du batteriet på side 272.

Slik får du et godt resultat

- Bruk alltid en godt slipt kniv. En sløv kniv gir ujevnt resultat, og gressets klippeoverflate blir gul. En skarp kniv bruker også mindre energi enn en sløv kniv.
- Ikke klipp mer enn 1/3 av lengden på gresset. Klipp først med klippehøyden stilt høyt. Undersøk resultatet, og senk klippehøyden til det aktuelle nivået. Hvis gresset er veldig langt, kjører du sakte og klipper to ganger om nødvendig.
- Klipp i forskjellige retninger hver gang, for å unngå striper i plenen.
- Hold klippedekselet rent. Oppsamling av gress og smuss på innsiden av klippedekselet kan gi et dårligere klipperesultat. Se Slik rengjør du produktet på side 274.

Vedlikehold

Innledning



ADVARSEL: Før du utfører vedlikeholdsarbeid, må du lese og forstå kapittelet om sikkerhet.

For alt vedlikehold og reparasjonsarbeid på produktet er det nødvendig med spesiell opplæring. Vi garanterer fagmessig reparasjon og service. Hvis forhandleren ikke er et serviceverksted, må du snakke med dem for å få informasjon om nærmeste serviceverksted.

Hvis du vil ha mer detaljert informasjon, kan du se www.husqvarna.com.

Vedlikeholdsskjema

Vedlikeholdsintervallene er beregnet med utgangspunkt i daglig bruk av produktet. Intervallene kan endres hvis produktet ikke brukes daglig.

For vedlikehold merket med * kan du se instruksjonene i Sikkerhet på side 266.

	Hver bruk	Månedlig	Hver sesong
Utfør en generell inspeksjon.	X		
Rengjør produktet.	X		
Rengjør området rundt høydejusteringsbøylen for håndtaket.	X		
Kontroller startsperran. *	X		
Pass på at sikkerhetsutstyret på produktet ikke er defekt. *	X		
Kontroller skjærestyret.	X		
Kontroller klippedekselet. *	X		
Kontroller motorbremsåndtaket. *	X		
Kontroller batteriet for skader.	X		
Kontroller batteriets ladenivå.	X		
Kontroller at utløserknappene på batteriet fungerer riktig og at batteriet låses fast i produktet.	X		

	Hver bruk	Månedlig	Hver sesong
Undersøk batteriladeren for skader, og sørg for at den fungerer på riktig måte.		X	
Undersøk forbindelsene mellom batteriet og produktet. Undersøk også forbindelsen mellom batteriet og batteriladeren.			X

Slik utfører du en generell inspeksjon

- Kontroller at mutrene og skruene på produktet er trukket til.
- Sørg for at kablene på produktet ikke er i en posisjon der de kan bli skadet.

Slik rengjør du produktet

- Rengjør plastdeler med en tørr, ren klut.
- Ikke bruk vann til å rengjøre produktet. Vann kan komme inn i batteriet eller motoren og forårsake kortslutning eller skade på produktet.
- Produktet må ikke rengjøres med høytrykksspyler.
- Ikke spyl vann direkte på motoren.
- Bruk en børste for å fjerne løv, gress og smuss.

Slik rengjør du batteriet og batteriladeren



ADVARSEL: Ikke rengjør batteriet eller batteriladeren med vann.



ADVARSEL: Ikke bruk kjemikalier til å rengjøre batteriet.

- Kontroller at batteriet og batteriladeren er rene og tørre før du setter batteriet i batteriladeren.
- Rengjør batteriklemmene med trykkluft, eller bruk en myk og tørr klut.
- Rengjør overflatene på batteriet og batteriladeren med en myk og tørr klut.

Slik rengjør du området rundt høydejusteringsbøylen for håndtaket

- Bruk en børste for å fjerne løv, gress og smuss. (Fig. 32)

Slik kontrollerer du skjæreutstyret



ADVARSEL: Når du skal hindre utilsiktet start, vrir du tenningsnøkkelen til 0, tar ut batteriet og venter i minst fem sekunder.



ADVARSEL: Bruk vernehansker når du utfører vedlikehold på skjæreutstyret.

Kniven er svært skarp, og det er lett å kutte seg.

1. Kontroller skjæreutstyret med henblikk på skader og sprekkdannelse. Bytt alltid ut skadet skjæreutstyr.
2. Sjekk om kniven er skadet eller sløv.

Merk: Kniven må balanseres etter at den er slipt. La et servicesenter slipe, skifte og balansere kniven. Hvis du treffer en hindring som fører til at produktet stopper, må du skifte ut den skadde kniven. La serviceverkstedet vurdere om kniven kan slipes eller om den må skiftes ut.

Slik skifter du ut skjærebladet

Se Tekniske data på side 277 for informasjon om riktig type skjæreblad.



ADVARSEL: Lås skjærebladet med en trekloss for å hindre skade på fingrene når du skifter det. Skjærebladet kan flyttes når motoren er av. Fingre kan komme i klem mellom bladet og ikke-bevegelige deler.

1. Lås skjærebladet med en trekloss. (Fig. 33)
2. Fjern knivbolten, sprengskiven og kniven. (Fig. 34)
3. Kontroller støtten og bolten for skjærebladet for å se etter skader.
4. Undersøk motorakselen for å forsikre deg om at den ikke er bøyd.
5. Når du fester det nye skjærebladet, må du peke de vinklede endene av bladet i retning av klippedekselet. (Fig. 35)
6. Kontroller at skjærebladet er på linje med midten av motorakselen.
7. Lås skjærebladet med en trekloss. Fest sprengskiven, og trekk til bolten og skiven med et moment på 23–28 Nm. (Fig. 36) (Fig. 34)
8. Trekk skjærebladet rundt for hånd, og kontroller at det roterer fritt.



ADVARSEL: Bruk solide arbeidshansker. Skjærebladet er svært skarpt, og det er lett å skjære seg.

9. Start produktet for å teste skjærebladet. Hvis bladet ikke er riktig festet, vil produktet vibrere, eller klipperesultatet vil ikke bli bra nok.

Feilsøking

Batteri

LED-indikator på batteriet	Årsak	Løsning
Den grønne LED-lampen blinker.	Batterispenningen er lav.	Lad batteriet. Se Slik lader du batteriet på side 272.
LED-feillampen blinker.	Batteriet er svakt.	Lad batteriet. Se Slik lader du batteriet på side 272.
	Temperaturen i arbeidsmiljøet er for høy eller for lav.	Bruk batteriet i temperaturer mellom 5 og 40 °C.
	Overspenning	Kontroller at strømtilførselen er den samme som er angitt på typeskiltet på produktet. Fjern batteriet fra batteriladeren. Vent i fem sekunder, og prøv å lade batteriet igjen. Hvis problemet vedvarer, kontakter du et autorisert serviceverksted.
LED-feillampen er tent.	For stor forskjell mellom cellene (1 V).	Ta kontakt med et godkjent serviceverksted.

Batterilader

LED-indikator på batteriladeren.	Årsak	Løsning
LED-feillampen blinker.	Temperaturen i arbeidsmiljøet er for høy eller for lav.	Bruk batteriladeren i temperaturer mellom 5 og 40 °C.
LED-feillampen er tent.		Ta kontakt med et godkjent serviceverksted.

Gressklipper

Varsellampen (feilindikatoren) er plassert under batterilokket.

Problem	Feilindikator (antall lysblink)	Årsak	Løsning
Feilindikatoren blinker. Produktet fungerer ikke som det skal.	5	Skjærebladet er blokkert.	Vri tenningsnøkkelen til 0 for å forhindre utilsiktet start. Fjern batteriet, og vent i minst 5 sekunder. Fjern mulige hindringer, og pass på at skjærebladet kan rotere fritt. Hvis problemet vedvarer, kan du kontakte et godkjent serviceverksted.
		Motorurtallet faller for mye, og motoren stopper.	Øk klippehøyden. Se Slik regulerer du klippehøyden på side 271.
	10	Motorstyringen er for varm.	Stopp motoren, og vent til den er avkjølt.
Feilindikatoren blinker. Produktet stopper.	0	Batterikontaktfeil.	Undersøk batterikontakten.
	3	Det er overbelastning i motoren.	Øk klippehøyden. Se Slik regulerer du klippehøyden på side 271.
	8	Batteriet er svakt.	Lad batteriet. Se Slik lader du batteriet på side 272.
	9	Batterifeil eller ingen signaler fra batteriet.	Sett batteriet inn i produktet på riktig måte, og undersøk batterikontakten. Hvis feilindikatoren på batteriet blinker. Se Batteristatus på side 272.
	12	Feil startprosedyre. Motorbremshåndtaket er aktivert før motoren starter.	Slipp motorbremshåndtaket, og vent i ca. 5 sekunder. Trykk motorbremshåndtaket ned igjen for å starte produktet.
Andre feil.	Hvis det oppstår andre feil, må du vri tenningsnøkkelen til 0, ta ut batteriet, og ta kontakt med et godkjent serviceverksted.		

Transport, oppbevaring og avhending

Innledning



ADVARSEL: For å forhindre utilsiktet start under transport og lagring, vrir du tenningsnøkkelen til 0, tar ut batteriet og venter i minst 5 sekunder.

Slik setter du produktet i transportstilling

1. Skyv høydejusteringsbøylen med foten. (Fig. 37)
2. Trekk opp håndtaket, og trekk ut høydejusteringsbøylen fra sporet.
3. Fold håndtaket forover til det har nådd endestillingen. (Fig. 38)
4. Fold høydejusteringsbøylen mot klippedekselet. (Fig. 39)
5. Løsne håndtaksknottene. (Fig. 40)
6. Fold det øvre håndtaket bakover. (Fig. 41)

Transport

- Loven om farlige varer gjelder de medfølgende Li-ion-batteriene.
- For kommersiell transport må spesielle krav på emballasje og etiketter følges.
- Sørg for at du overholder lovene om farlig materiale når du klargjør produktet for transport. Lokale forskrifter kan gjelde.
- Ta alltid ut batteriet før transport.
- Sett teip på batterikontaktene, og forsikre deg om at batteriet ikke kan bevege seg rundt under transport.
- Sikre produktet under transport.

Oppbevaring

- La produktet avkjøles før du setter det til oppbevaring.
- Ta alltid ut batteriet når du skal oppbevare produktet.
- For å hindre ulykker må du sikre at batteriet ikke er koblet til produktet under oppbevaring.

- Oppbevar batteriladeren på et innelukket og tørt sted.
- Hold batteriet og laderen på et tørt sted der det ikke er fukt eller frost.
- Koble batteriet fra batteriladeren under oppbevaring.
- Batteriet må ikke oppbevares der det kan forekomme statisk elektrisitet. Ikke oppbevar batteriet i en metallkasse.
- Oppbevar produktet på et sted der omgivelsestemperaturen er mellom -10 °C og 40 °C.
- Oppbevar batteriet et sted omgivelsestemperaturen er mellom 5 og 25 °C og borte fra sollys.
- Oppbevar batteriladeren et sted omgivelsestemperaturen er mellom 5 og 45 °C og borte fra sollys.
- Kontroller at batteriet er ladet til 30–50 % før du setter det til oppbevaring i lange perioder.
- Oppbevar produktet, batteriet og batteriladeren i et låsbart område, utilgjengelige for barn og uautoriserte personer.
- Rengjør produktet, og kontroller at gressoppsamleren er tom.

- Utfør vedlikeholdsprosedyrene som er beskrevet i denne bruksanvisningen. Se Vedlikeholdsskjema på side 273.
- Utfør en fullstendig service før du setter produktet til oppbevaring i lang tid.

Avhending

Symbolene på produktet eller produkteballasjen indikerer at produktet ikke skal håndteres som husholdningsavfall. Produktet skal innleveres til et gjenvinningsanlegg som gjenvinner elektrisk og elektronisk utstyr.

Ved å sikre at produktet håndteres på riktig måte, kan du bidra til å motvirke potensielt negative virkninger på miljø og mennesker, som kan oppstå som følge av at produktet ikke avfallshåndteres på riktig måte. Kontakt det lokale renovasjonsvesenet eller forhandleren der du kjøpte produktet hvis du ønsker mer detaljert informasjon.

(Fig. 42)

Tekniske data

	LB 144i
Klippemotor	
Motortype	BLDC (børsteløs) 36 V
Motorhastighet – SavE, turtall	2600/min
Motorhastighet – nominell, turtall	3200/min
Motorhastighet – høybelastning, turtall	3500/min
Motoreffekt – maks. kW	0,9
Motoreffekt – nominell, kW	0,75
Drivmotor	
Motoreffekt – nominell, kW	Ikke tilgjengelig
Selvgående hastighet, km/t	Ikke tilgjengelig
Nivåer for hastighetsjustering	Ikke tilgjengelig
Vekt	
Vekt (uten batteri), kg	15,5
Vekt (inkl. 1 stk. BLi30), kg	17,5
Batteri	
Batteritype	Husqvarna-batteriserien
Batteriets driftstid	

	LB 144i
Batteriets driftstid, min. (frikjøring) med SavE aktivert, med ett Husqvarna 7,5 Ah-batteri (BLi30)	170
Batteriets driftstid, min., (frikjøring) med standardmodus aktivert, med ett Husqvarna 7,5 Ah-batteri (BLi30)	135
Støyutslipp ⁴⁹	
Lydeffektnivå, målt dB (A)	90
Lydeffektnivå, garantert L _{WA} dB (A)	92
Lydnivåer ⁵⁰	
Lydtrykknivå ved brukerens øre, dB (A)	77
Vibrasjonsnivåer ⁵¹	
Håndtak, m/s ²	0,7
Klippeutstyr	
Klippehøyde, mm	25–75
Klippebredde, cm	44
Kniv, standard	Mulch 5298073-10
Skjærebladtilbehør	Ikke tilgjengelig

Godkjente batterier	Type	Batterikapasitet, Ah	Spenning, V	Vekt, lb/kg
40-B140	Litium-ion	4,0	36	2,6/1,2
BLi30	Litium-ion	7,5	36	4,2 / 1,9

Godkjente ladere for de spesifiserte batteriene, BLi	Inngangsspenning, V	Frekvens, Hz	Effekt, W
40-C80	100–240	50–60	68,8
QC250	220–240	50	250

⁴⁹ Utslipp av støy til omgivelsene målt som lydeffekt (L_{WA}) samsvarer med EF-direktiv 2000/14/EF.

⁵⁰ Rapporterte data for lydtrykknivå har en usikkerhetsfaktor (K) på 1,5 dB (A).

⁵¹ Rapporterte data for vibrasjonsnivåer har en usikkerhetsfaktor (K) på 1,5 m/s². Det oppgitte totale vibrasjonsnivået er målt i samsvar med EN 62841-4-3, Vedlegg I, og kan brukes til å sammenligne en maskin med en annen og i en innledende vurdering av eksponering.

Samsvarserklæring

EU-samsvarserklæring

Vi, Husqvarna AB, SE-561 82 Huskvarna, Sverige, tlf.:
+46 36 146500, erklærer på eget ansvar at produktet:

Beskrivelse	Gressklipper
Merke	Husqvarna
Type/modell	LB 144i
ID	Serienumre datert 2022 og senere

fullstendig overholder følgende EU-direktiver og
-forskrifter:

Regulering	Beskrivelse
2006/42/EC	«angående maskiner»
2014/30/EU	«om elektromagnetisk kompatibilitet»
2000/14/EC	«angående utslipp av støy til omgivelsene»
2011/65/EU	«om begrensning av bruk av visse farlige stoffer i elektrisk og elektronisk utstyr»

og at følgende standarder eller tekniske spesifikasjoner
er anvendt: EN 62841-1:2015/AC:2015, EN IEC
62841-4-3:2021/A11:2021, EN ISO 12100:2010,
EN 55014-1:2021, EN 55014-2:2021, EN IEC
61000-6-2:2019, EN IEC 61000-6-3:2021, EN IEC
63000:2018

Kontrollorgan: 0404, RISE SMP Svensk Maskinprovning
AB, Box 4053, SE-904 03 Umeå, Sweden Har bekreftet
samsvar med rådsdirektivet 2000/14/EF, prosedyre for
overensstemmelsesvurdering: Vedlegg VI.

For informasjon som gjelder støytutslipp, kan du se
Tekniske data på side 277.

Huskvarna, 2022-12-05



Claes Losdal, Utviklingssjef/hageproduktansvarlig,
Husqvarna AB

Ansvarlig for teknisk dokumentasjon



SPIS TREŚCI

Wstęp	280	Rozwiązywanie problemów	291
Bezpieczeństwo	281	Transport, przechowywanie i utylizacja	293
Montaż	287	Dane techniczne	294
Przeznaczenie	287	Deklaracja zgodności	296
Przegląd	289		

Wstęp

Opis produktu

Produkt jest rotacyjną kosiarką obsługiwaną przez operatora pieszego, wyposażoną w funkcję BioClip, która umożliwia cięcie trawy na nawóz.

Przegląd produktu

(Rys. 1)

1. Uchwyt / uchwyt sterowniczy
2. Dźwignia hamulca silnikowego
3. Blokada rozruchu
4. Uchwyty do podnoszenia
5. Zespół tnący
6. Dźwignia regulacji wysokości koszenia
7. Kluczyk bezpieczeństwa
8. Pokrywa akumulatora
9. Dźwignia regulacji wysokości uchwytu sterowniczego
10. Przycisk SaveE
11. Kontrolka ostrzegawcza (diody LED błędy)
12. Instrukcja obsługi
13. Ładowarka akumulatora (akcesorium)
14. Akumulator (akcesorium)

Symbole znajdujące się na produkcie

(Rys. 2) OSTRZEŻENIE

(Rys. 3) Przeczytać instrukcję.

(Rys. 4) OSTRZEŻENIE – uważać na odrzucane przedmioty.

(Rys. 5) Osoby postronne powinny zachować odpowiednią odległość.

(Rys. 6) OSTRZEŻENIE – nie zbliżać rąk i stóp do noży.

(Rys. 7) OSTRZEŻENIE – przed przystąpieniem do konserwacji odłączyć akumulator.

(Rys. 8) Tego produktu ani opakowania nie można traktować jak odpadów domowych.

Przeznaczenie

Produkt służy fo cięcia trawy. Nie używać produktu do innych zadań.

Należy poddawać je recyklingowi w zatwierdzonym punkcie zbiórki sprzętu elektrycznego i elektronicznego.

(Rys. 9) Etykieta emisji hałasu do środowiska zgodnie z dyrektywami oraz przepisami UE i Wielkiej Brytanii, a także przepisami Nowej Południowej Walii „Protection of the Environment Operations (Noise Control) Regulation 2017”. Gwarantowany poziom mocy akustycznej urządzenia jest określony w Dane techniczne na stronie 294 oraz na etykiecie.

(Rys. 10) Niniejszy osprzęt jest zgodny z obowiązującymi dyrektywami wspólnoty europejskiej.

(Rys. 11) Ten produkt jest zgodny z przepisami obowiązującymi w Wielkiej Brytanii.

(Rys. 12) Produkt jest zabezpieczony przed przeciekaniem.

(Rys. 13) Zwolnić dźwignię hamulca silnikowego, aby zatrzymać.

(Rys. 14) Kod do przeskanowania

Uwaga: Pozostałe symbole/naklejki samoprzylepne umieszczone na produkcie dotyczą wymogów związanych z certyfikatami w niektórych krajach.

Odpowiedzialność za produkt

Zgodnie z przepisami dotyczącymi odpowiedzialności za produkt nie ponosimy odpowiedzialności za szkody spowodowane przez nasz produkt, jeśli:

- produkt jest nieprawidłowo naprawiany.

- produkt jest naprawiany przy użyciu części nie pochodzących od producenta lub niezatwierdzonych przez producenta.
- produkt jest wyposażony w akcesoria nie pochodzące od producenta lub niezatwierdzone przez producenta.

- produkt nie jest naprawiany w autoryzowanym centrum serwisowym lub przez autoryzowaną placówkę.

Bezpieczeństwo

Definicje dotyczące bezpieczeństwa

Ostrzeżenia, uwagi i informacje są używane do zwrócenia uwagi na szczególnie ważne sekcje instrukcji obsługi.



OSTRZEŻENIE: Jest używane, gdy istnieje ryzyko poważnych obrażeń, śmierci operatora lub uszkodzenia otoczenia w wyniku nieprzestrzegania instrukcji obsługi.



UWAGA: Jest używane, gdy istnieje ryzyko uszkodzenia materiałów lub urządzenia w wyniku nieprzestrzegania instrukcji obsługi.

Uwaga: Stosuje się, aby przekazać więcej informacji, które są przydatne w danej sytuacji.

Ostrzeżenia dotyczące bezpieczeństwa ogólnego produktu



OSTRZEŻENIE: Zapoznać się ze wszystkimi ostrzeżeniami dotyczącymi bezpieczeństwa, instrukcjami, ilustracjami i specyfikacjami dołączonymi do tego produktu. Niezastosowanie się do wszystkich poniższych instrukcji może spowodować porażenie prądem, pożar i/lub poważne obrażenia.

Zachować wszystkie ostrzeżenia i instrukcje do korzystania z nich w przyszłości. Termin „produkt” w ostrzeżeniach dotyczy Twojego produktu zasilanego prądem z sieci elektrycznej (z przewodem) lub produktu zasilanego prądem z akumulatora (bezprowadowego).

Bezpieczeństwo miejsca pracy

- Miejsce pracy powinno być czyste i dobrze oświetlone. Obszary zaciemnione i takie, w których panuje nieład, mogą powodować wypadki.
- Nie należy używać produktu w atmosferze łatwopalnej, takiej jak w przypadku obecności łatwopalnych cieczy, gazów lub pyłów. Produkt tworzy iskry, które mogą zapalić pył lub opary.
- Podczas pracy z użyciem produktu należy uważać, aby dzieci i osoby postronne nie zbliżyły się do

miejsca pracy. W wyniku utraty uwagi możesz stracić kontrolę nad urządzeniem.

Bezpieczeństwo elektryczne

- Wtyczki produktu muszą pasować do gniazdka. Zabrania się dokonywania przeróbek wtyczki. Nie wolno stosować adapterów wtyczek produktów z uziemieniem. Nieprzerobione wtyczki i dopasowane gniazdka pozwalają zredukować ryzyko porażenia prądem.
- Należy unikać kontaktu ciała z powierzchniami uziemionymi, takimi jak rury, grzejniki, kuchenki i lodówki. Uziemienie ciała powoduje zwiększenie ryzyka porażenia prądem.
- Nie wystawiać produktu na działanie deszczu ani wilgoci. Przedostanie się wody do produktu zwiększa ryzyko porażenia prądem.
- Nie niszczyć przewodu. Nie wolno używać przewodu do przenoszenia, ciągnięcia lub odłączania produktu. Przewód należy utrzymywać z dala od źródeł ciepła, olejów, ostrych krawędzi lub ruchomych części. Uszkodzone lub splątane kable zwiększają zagrożenie porażenia prądem.
- Używając produktu na zewnątrz budynków, należy stosować przedłużacz przystosowany do użytku zewnętrznego. Stosowanie przewodu przeznaczonego do użytku na zewnątrz budynków pozwala ograniczyć ryzyko porażenia prądem.
- Jeśli produkt musi być używany w warunkach dużej wilgotności, stosować zasilanie chronione wyłącznikiem różnicowo-prądowym (RCD). Korzystanie z wyłącznika różnicowo-prądowego zmniejsza ryzyko porażenia prądem.

Bezpieczeństwo osób

- Podczas używania produktu należy zachować skupienie, obserwować wykonywane czynności i kierować się zdrowym rozsądkiem. Produktu nie wolno używać w przypadku zmęczenia ani pod wpływem narkotyków, alkoholu lub leków. Chwila nieuwagi podczas obsługi produktu może doprowadzić do poważnych obrażeń.
- Stosować środki ochrony osobistej. Należy zawsze stosować środki ochrony wzroku. Sprzęt ochronny, taki jak maski, antypoślizgowe buty robocze, kask lub środki ochrony słuchu stosowane w odpowiednich warunkach pozwalają obniżyć ryzyko odniesienia obrażeń.
- Należy zapobiec niezamierzonemu rozruchowi. Przed podłączeniem do źródła zasilania i/lub

akumulatora, podniesieniem lub przenoszeniem produktu należy upewnić się, że przełącznik znajduje się w położeniu wyłączenia. Przenoszenie produktu z palcem na przełączniku lub włączenie zasilania produktu, który ma przełącznik w pozycji włączonej, sprzyja wypadkom.

- Przed włączeniem produktu należy usunąć wszelkie klucze i inne narzędzia. Klucze lub inne narzędzia, pozostawione przy obracającej się części produktu, mogą spowodować obrażenia ciała.
- Nie należy przeceniać swoich możliwości. Stać na stabilnym podłożu i zachować równowagę. Pozwoli to zachować lepszą kontrolę nad produktem w nieoczekiwanych sytuacjach.
- Należy odpowiednio się ubierać. Nie należy zakładać luźnych ubrań i nosić biżuterii. Włosy oraz ubranie należy trzymać z dala od elementów ruchomych. Luźna odzież, biżuteria lub długie włosy mogą zostać wciągnięte przez ruchome części.
- Jeśli dołączone jest wyposażenie służące do podłączenia urządzeń odprowadzających i gromadzących pył, należy zadbać o jego podłączenie i właściwie używanie. Stosowanie urządzeń odprowadzających pył może ograniczyć zagrożenia związane z obecnością pyłu.
- Częste używanie produktu nie zwalnia operatora z obowiązku zachowania czujności i przestrzegania zasad bezpieczeństwa dotyczących używania produktu. Niezważne działanie może doprowadzić do poważnych obrażeń w ułamku sekundy.

Eksploatacja i konserwacja produktu

- Nie wymuszać większych osiągnięć produktu. Używać produktu dopasowanego do zastosowania. Właściwy produkt pozwoli lepiej i bezpieczniej wykonać pracę z przewidzianą prędkością.
- Nie wolno używać produktu, jeśli nie można go włączyć lub wyłączyć przy użyciu przełącznika. Jeśli produkt nie może być kontrolowany za pomocą przełącznika, jest on niebezpieczny i musi zostać oddany do naprawy.
- Przed dokonaniem jakichkolwiek regulacji, zmianą akcesoriów lub pozostawieniem produktu na czas przechowywania należy odłączyć wtyczkę od źródła zasilania i/lub, jeśli jest to możliwe, wymontować akumulator. Takie działanie zapobiegawcze redukuje ryzyko przypadkowego uruchomienia produktu.
- Nieużywany produkt należy przechowywać w miejscu niedostępnym dla dzieci. Nie wolno pozwalać, aby produkt obsługiwały osoby nie zaznajomione z produktem lub niniejszymi instrukcjami. W rękach nieprzeszkolonych użytkowników produkty mogą być niebezpieczne.
- Konserwować produkty i akcesoria. Produkt należy sprawdzać pod kątem niedopasowania ruchomych części, uszkodzenia elementów i innych nieprawidłowości, które mogą mieć wpływ na jego działanie. W przypadku uszkodzenia naprawić produkty przed jego ponownym użyciem. Powodem

wielu wypadków jest niewłaściwa konserwacja produktów.

- **Narzędzia tnące należy utrzymywać w stanie naostrzonym i czystym.** Właściwie konserwowane narzędzia tnące, z ostrymi krawędziami tnącymi dają mniejsze prawdopodobieństwo zacinania i łatwiej je kontrolować.
- **Produkty, oprzyrządowanie i końcówki itp. muszą być używane zgodnie z niniejszymi instrukcjami, biorąc pod uwagę warunki robocze oraz wykonywane zadanie.** Używanie produktu do zadań innych niż te, do których jest przeznaczony, może być niebezpieczne.
- **Utrzymywać uchwyty i powierzchnie do chwytania w stanie suchym, czystym oraz wolnym od smaru i oleju.** Śliskie uchwyty i powierzchnie do chwytania uniemożliwiają bezpieczną obsługę i kontrolę produktu w nieoczekiwanych sytuacjach.

Użytkowanie i konserwacja narzędzia elektrycznego zasilanego akumulatorem

- **Ładować jedynie za pomocą ładowarki wskazanej przez producenta.** Ładowarka przeznaczona do jednego rodzaju akumulatora może grozić pożarem w przypadku wykorzystania jej do ładowania innego rodzaju akumulatora.
- **Urządzeń należy używać wyłącznie w połączeniu z określonym rodzajem akumulatorów.** Użycie akumulatorów innego rodzaju może stworzyć zagrożenie obrażeniami ciała i pożarem.
- **Kiedy akumulator nie jest używany, należy przechowywać go z dala od innych metalowych przedmiotów, takich jak spinacze do papieru, monety, klucze, gwoździe i śruby oraz innych niewielkich metalowych przedmiotów, które mogłyby połączyć dwa zaciski akumulatora.** Spięcie zacisków akumulatora może spowodować oparzenia lub pożar.
- **W niewłaściwych warunkach z akumulatora może wypłynąć płyn.** Należy unikać kontaktu z tym płynem. Jeżeli dojdzie do kontaktu, przemyć wodą. Jeśli dojdzie do kontaktu płynu z oczami, należy dodatkowo skorzystać z pomocy medycznej. Płyn wydostający się z akumulatora może wywołać podrażnienia lub oparzenia.
- **Nie używać akumulatora ani narzędzia, jeśli są one uszkodzone lub zostały zmodyfikowane.** Uszkodzone lub zmodyfikowane akumulatory mogą charakteryzować się nieprzewidywalnymi właściwościami skutkującymi pożarem, eksplozją lub ryzykiem doznania obrażeń przez użytkownika.
- **Nie wystawiać akumulatora ani narzędzia na działanie ognia bądź nadmiernej temperatury.** Narażenie na pożar lub temperaturę przekraczającą 130°C (265°F) może spowodować wybuch.
- **Postępować zgodnie ze wszystkimi instrukcjami dotyczącymi ładowania i nie ładować akumulatora ani narzędzia w temperaturach wykraczających poza zakres określony w instrukcji.** Nieprawidłowe ładowanie lub ładowanie w temperaturach

wykraczających poza dopuszczalny zakres może uszkodzić akumulator i zwiększyć ryzyko pożaru.

Serwis

- Produkt może serwisować wyłącznie wykwalifikowany personel serwisowy przy użyciu identycznych części zamiennych. Zapewni to bezpieczeństwo użytkownika produktu.
- Pod żadnym pozorem nie należy serwisować uszkodzonych akumulatorów. Akumulatory może serwisować wyłącznie producent lub autoryzowany serwis.

Ostrzeżenia dotyczące bezpieczeństwa użytkownika kosiarki

- Nie używać kosiarki w złych warunkach pogodowych, szczególnie jeśli istnieje ryzyko wystąpienia burzy. Zmniejsza to ryzyko porażenia piorunem.
- Dokładnie sprawdzić obszar, w którym ma być używana kosiarka, pod kątem występowania dzikich zwierząt. Pracująca kosiarka jest niebezpieczna dla dzikich zwierząt.
- Należy dokładnie sprawdzić miejsce, w którym będzie używana kosiarka, i usunąć wszelkie kamienie, patyki, druty, kości i inne przedmioty. Wyrzucane przedmioty mogą spowodować obrażenia.
- Przed użyciem kosiarki należy zawsze wrokowo sprawdzić, czy noże, śruba noży i zespół noży nie są zużyte ani uszkodzone. Zużyte lub uszkodzone części zwiększają ryzyko odniesienia obrażeń.
- Regularnie sprawdzaj pojemnik na trawę pod kątem zużycia. Zużyty lub uszkodzony pojemnik na trawę może zwiększyć ryzyko odniesienia obrażeń.
- Osłony muszą być założone. Osłony muszą być sprawne i prawidłowo zamontowane. Poluzowana, uszkodzona lub nieprawidłowo działająca osłona może spowodować obrażenia.
- Utrzymywać wszelkie wloty powietrza chłodzącego w czystości. Zablockowane wloty powietrza i zanieczyszczenia mogą spowodować przegrzanie lub wywołać pożar.
- Podczas obsługi kosiarki należy zawsze nosić obuwie przeciwpoślizgowe i ochronne. Nie obsługiwać kosiarki boso lub w sandałach. Zmniejsza to ryzyko obrażeń stóp w wyniku kontaktu z ruchomymi nożami.
- Podczas używania kosiarki należy zawsze nosić długie spodnie. Odslonięta skóra jest bardziej narażona na obrażenia powodowane przez wyrzucane przedmioty.
- Nie używać kosiarki do koszenia mokrej trawy. Należy iść, nie biec. Zmniejsza to ryzyko poślizgnięcia się i upadku, a tym samym odniesienia obrażeń.
- Nie wolno używać kosiarki na zbyt stromych zboczach. Zmniejsza to ryzyko utraty kontroli,

poślizgnięcia się i upadku, a tym samym odniesienia obrażeń.

- Podczas pracy na pochyłościach należy zawsze stać na stabilnym podłożu i pracować w poprzek zbocza, a nie w górę lub w dół, a także zachować szczególną ostrożność przy zmianie kierunku jazdy. Zmniejsza to ryzyko utraty kontroli, poślizgnięcia się i upadku, a tym samym odniesienia obrażeń.
- Należy zachować szczególną ostrożność przy wycofywaniu lub przyciąganiu kosiarki do siebie. Należy zawsze uważać na otoczenie. Zmniejsza to ryzyko potknięcia się podczas pracy.
- Nie wolno dotykać noży ani innych niebezpiecznych ruchomych części, gdy są w ruchu. Zmniejsza to ryzyko odniesienia obrażeń przez ruchome części.
- Na czas usuwania zakleszczonego materiału i serwisowania kosiarki należy upewnić się, że wszystkie przełączniki znajdują się w pozycji wyłączenia, a przewód zasilający jest odłączony. Nieoczekiwane uruchomienie kosiarki może spowodować poważne obrażenia ciała.

Wyłącznik różnicowo-prądowy

- Stosować wyłącznik różnicowo-prądowy o prądzie wyzwalającym nie większym niż 30 mA.

Ogólne zasady bezpieczeństwa



OSTRZEŻENIE: Przed rozpoczęciem użytkowania produktu przeczytać następujące ostrzeżenia.

- Produkt ten może być niebezpieczny w przypadku jego nieprawidłowego użytkowania i niezachowania ostrożności. Nieprzestrzeganie instrukcji bezpieczeństwa może spowodować obrażenia ciała lub śmierci.
- Niniejszy produkt podczas pracy wytwarza pole elektromagnetyczne. W pewnych okolicznościach pole to może zakłócać pracę aktywnych lub pasywnych implantów medycznych. Przed użyciem tego produktu osoby z wszczepionym implantem medycznym powinny skonsultować się z lekarzem i producentem implantu w celu ograniczenia ryzyka poważnych lub śmiertelnych obrażeń.
- Zawsze zachowywać ostrożność i kierować się zdrowym rozsądkiem. Jeśli nie ma pewności, w jaki sposób należy obsługiwać ten produkt w konkretnej sytuacji, przed wznowieniem pracy należy porozmawiać z dealerem Husqvarna.
- Pamiętać o tym, że operator ponosi odpowiedzialność za wypadki z udziałem innych ludzi i ich własności.
- Utrzymywać produkt czystym. Upewnić się, że można łatwo odczytać oznaczenia i naklejki.
- Nie wolno pozwalać dzieciom ani osobom, które nie zapoznały się z niniejszymi instrukcjami obsługi, na obsługiwanie urządzenia. Przepisy lokalne mogą narzucać ograniczenia dotyczące wieku operatora urządzenia.

- Należy zawsze kontrolować osobę o ograniczonych możliwościach fizycznych lub umysłowych podczas używania produktu. Zawsze musi jej towarzyszyć odpowiedzialna osoba dorosła.
- Osoba, która jest zmęczona, chora lub pod wpływem alkoholu, narkotyków lub lekarstw nie może obsługiwać urządzenia. Stany te mają negatywny wpływ na wzrok, uwagę, koordynację i osąd.
- Nie stosować uszkodzonego produktu.
- Nie wolno dokonywać w maszynie zmian stanowiących modyfikację jej oryginalnej wersji. Nie używać maszyny, jeżeli istnieje podejrzenie, że ktoś inny wprowadził w niej zmiany.
- Podczas obsługi maszyny należy upewnić się, że wszystkie koła dotykają podłoża oraz trzymać na kierownicy obie dłonie. Nie zbliżać rąk i stóp do obracających się noży.
- Nie przechylać produktu podczas uruchamiania silnika ani podczas pracy produktu.
- Należy zachować ostrożność podczas ciągnięcia maszyny do tyłu.
- Nigdy nie należy podnosić maszyny przy włączonym silniku. Jeśli konieczne jest podniesienie urządzenia, należy najpierw wyłączyć silnik, przekręcić kluczyk bezpieczeństwa do położenia „0” i wyjąć akumulator.
- Nie należy poruszać się do tyłu podczas obsługi maszyny.
- Gdy zachodzi konieczność przechylenia produktu na czas transportu lub przed rozpoczęciem jazdy po obszarach bez trawy, np. po ścieżkach wykonanych ze żwiru, kamienia lub asfaltu, zatrzymać silnik.
- Nie należy biegać z maszyną przy włączonym silniku. Podczas obsługi maszyny zawsze należy poruszać się chodem.
- Przed zmianą wysokości koszenia należy wyłączyć silnik. Nie wolno przeprowadzać regulacji, gdy silnik pracuje.
- Nigdy nie należy pozostawiać maszyny poza zasięgiem wzroku przy włączonym silniku. Należy wyłączyć silnik i upewnić się, że narzędzia tnące nie obracają się.
- Drgania produktu podczas pracy mogą różnić się od wartości drgań deklarowanej w Dane techniczne na stronie 294. Różnica jest spowodowana różnymi sposobami użytkowania produktu. W przypadku częstej lub dłuższej eksploatacji produktu należy regularnie robić przerwy, aby zapobiec obrażeniom ciała w wyniku wibracji.

Pracuj bezpiecznie



OSTRZEŻENIE: Przed rozpoczęciem użytkowania produktu przeczytać następujące ostrzeżenia.

- Używać maszyny wyłącznie do przycinania trawników. Nie jest dozwolone wykorzystanie maszyny do innych zadań.
- Stosować środki ochrony osobistej. Patrz Środki ochrony osobistej na stronie 284.
- Należy zawsze wiedzieć, jak szybko wyłączyć silnik w razie awarii.
- Nie używać urządzenia podczas deszczu ani w wilgotnym otoczeniu. Dostanie się wody do wnętrza urządzenia zwiększa ryzyko porażenia prądem.
- Nie należy obsługiwać maszyny, jeśli ostrze oraz wszystkie pokrywy nie zostały prawidłowo zamocowane. Nieprawidłowo zamocowane ostrze może się obulzować i spowodować obrażenia.
- Należy upewnić się, że ostrze nie uderza w żadne obiekty, takie jak kamienie czy korzenie. Może to spowodować uszkodzenie ostrza oraz wygięcie wału silnika. Zgięta oś powoduje silne wibracje oraz bardzo wysokie zagrożenie obulzowaniem ostrza.
- Jeśli ostrze uderzy w jakikolwiek obiekt lub jeśli wystąpią wibracje, należy natychmiast wyłączyć maszynę. Wyłącz silnik, przekręć kluczyk bezpieczeństwa do położenia „0” i wyjmij akumulator. Poczekać, aż ruchome części zatrzymają się. Należy sprawdzić maszynę pod kątem uszkodzeń. Dokręcić luźne części. Naprawić uszkodzenia i wymienić uszkodzone części. Wykonanie przeglądu należy zlecić autoryzowanemu warsztatowi obsługi technicznej.
- Nigdy nie należy na stałe przymocowywać uchwytu hamulca silnikowego do uchwytu podczas pracy silnika.
- Maszynę należy ustawić na stabilnej, płaskiej powierzchni i ją uruchomić. Należy upewnić się, że ostrza nie uderzają w podłoże lub inne przedmioty.
- Podczas obsługi maszyny zawsze należy stać za nią.

Instrukcje bezpieczeństwa dotyczące obsługi

Środki ochrony osobistej



OSTRZEŻENIE: Przed rozpoczęciem użytkowania produktu przeczytać następujące ostrzeżenia.

- Środki ochrony osobistej nie eliminują ryzyka odniesienia obrażeń, ograniczają natomiast ich rozmiar w razie zaistnienia wypadku. Skorzystaj z pomocy dealera przy wyborze odpowiedniego sprzętu.
- Należy używać mocnego, przeciwpoślizgowego obuwia ochronnego lub obuwia roboczego. Nie należy używać otwartego obuwia lub chodzić boso.
- Stosować wytrzymałe, długie spodnie.
- W razie potrzeby, na przykład podczas mocowania, badania czy czyszczenia narzędzi tnących, stosować rękawice ochronne.
- Zalecamy stosowanie ochronników słuchu.

Zespoły zabezpieczające na produkcie



OSTRZEŻENIE: Przed rozpoczęciem użytkowania produktu przeczytać następujące ostrzeżenia.

- Nie wolno używać produktu z uszkodzonymi urządzeniami zabezpieczającymi.
- Nie wolno wymontowywać ani modyfikować urządzeń zabezpieczających.
- Regularnie przeprowadzać kontrole urządzeń zabezpieczających. Jeśli urządzenia zabezpieczające są uszkodzone, skontaktować się z warsztatem obsługi technicznej Husqvarna.

Sprawdzanie osłony modułu tnącego

Osłona modułu tnącego ogranicza drgania urządzenia i obniża ryzyko odniesienia obrażeń od ostrza.

- Zbadać osłonę modułu tnącego, aby upewnić się, że nie nosi ona znamion uszkodzenia, takich jak pęknięcia.

Sprawdzanie kluczyka bezpieczeństwa

Kluczyk bezpieczeństwa znajduje się pod pokrywą akumulatora. Kluczyk bezpieczeństwa służy do podłączenia akumulatora, który zasila silnik.

- Uruchomić i wyłączyć silnik, aby przeprowadzić kontrolę kluczyka bezpieczeństwa.
- Jeżeli kluczyk bezpieczeństwa działa prawidłowo, silnik uruchomi się tylko po przekręceniu kluczyka w położenie 1. (Rys. 15)

Sprawdzanie uchwytu hamulca silnika

Uchwyt hamulca silnika zatrzymuje silnik. Po zwolnieniu uchwytu hamulca silnika następuje wyłączenie silnika.

- Uruchomić produkt. Patrz Uruchamianie produktu na stronie 288.
- Zwolnić uchwyt hamulca silnika. (Rys. 16)
- Sprawdzić, czy urządzenie się zatrzymuje. Jeśli silnik nie wyłączy się w czasie 3 sekund, autoryzowany punkt serwisowy Husqvarna powinien wyregulować hamulec silnika.

Sprawdzanie blokady rozruchu

Skontrolować zabezpieczenie przed niepożądanym uruchomieniem urządzenia, aby upewnić się, że zapobiega ono uruchomieniu silnika.

1. Pchnąć dźwignię hamulca silnika w stronę drążka sterującego. Zabezpieczenie przed niepożądanym uruchomieniem urządzenia zatrzymuje ruch.
2. Popchnąć zabezpieczenie przed niepożądanym uruchomieniem na zewnątrz. (Rys. 17)
3. Zwolnić zabezpieczenie przed niepożądanym uruchomieniem urządzenia, aby upewnić się, że powróci do swojego położenia wyjściowego.

Zasady bezpieczeństwa związane z akumulatorem



OSTRZEŻENIE: Przed rozpoczęciem użytkowania produktu przeczytać następujące ostrzeżenia.

- Używać akumulatorów Husqvarna wyłącznie do zasilania powiązanych produktów Husqvarna. Aby uniknąć obrażeń, nie należy używać akumulatora jako źródła zasilania innych produktów.
- Nie używać baterii jednorazowego użytku.
- Ryzyko porażenia prądem. Nie przykładaj zaciśków akumulatora do kluczy, monet, śrub lub innych metalowych przedmiotów. Może to spowodować zwarcie akumulatora.
- Nie wkładać żadnych przedmiotów do szczelin powietrznych akumulatora.
- Chronić akumulator przed bezpośrednim działaniem promieni słonecznych, wysoką temperaturą i otwartym płomieniem. Akumulator może wybuchnąć i spowodować oparzenia i/lub oparzenia chemiczne.
- Akumulator należy chronić przed deszczem i wodą.
- Akumulator należy chronić przed działaniem mikrofal i wysokiego ciśnienia.
- Nie próbować rozbierać ani rozbijać akumulatora.
- Jeśli doszło do wycieku z akumulatora, unikać kontaktu cieczy ze skórą i oczami. W przypadku dotknięcia cieczy przemyć skórę dużą ilością wody i zgłosić się do lekarza.
- Akumulator produktu może być używany wyłącznie przy temperaturze otoczenia od 5 do 40°C.
- Ładowarka akumulatora może być używana wyłącznie przy temperaturze otoczenia od 5 do 40°C.
- Akumulator nie będzie się ładować, jeżeli jego temperatura przekroczy 50°C.
- Do czyszczenia akumulatora i ładowarki nie należy używać wody. Patrz Czyszczenie akumulatora i ładowarki na stronie 290.
- Nie należy używać wadliwego ani uszkodzonego akumulatora.
- Przechowywać akumulatory z dala od metalowych przedmiotów, takich jak gwoździe, monety czy biżuteria.

Zasady bezpieczeństwa w czasie obsługi ładowarki



OSTRZEŻENIE: Przed rozpoczęciem użytkowania produktu przeczytać następujące ostrzeżenia.

- Używać ładowarki QC jedynie do ładowania akumulatorów wymiennych Husqvarna.
- Istnieje ryzyko porażenie prądem i zwarcia. Nie wkładać żadnych przedmiotów do szczelin

wentylacyjnych ładowarki. Nie należy podejmować prób rozmontowania ładowarki. Nie zwierać końcówek ładowarki metalowymi przedmiotami. Należy korzystać z zatwierdzonego gniazda zasilania.

- Niniejszy produkt podczas pracy wytwarza pole elektromagnetyczne. W pewnych okolicznościach pole to może zakłócać pracę aktywnych lub pasywnych implantów medycznych. Przed przystąpieniem do pracy z produktem, w celu ograniczenia ryzyka poważnych lub śmiertelnych obrażeń, osoby posiadające implanty medyczne powinny skonsultować się z lekarzem oraz ich producentem.
- Należy regularnie sprawdzać, czy przewód zasilający ładowarki do akumulatora nie jest uszkodzony i popękany.
- Nie podnosić ładowarki do akumulatora za przewód zasilający. Aby odłączyć ładowarkę do akumulatora od gniazda, wyciągnąć wtyczkę. Nie ciągnąć za przewód.
- Uważać, aby przewód zasilający i przedłużacze nie stykały się z wodą, olejem ani nie dotykały ostrych krawędzi. Uważać także, aby przewód nie został zakleszczony w drzwiach, furtkach, płotach itp. Może to spowodować, że ładowarka znajdzie się pod napięciem.
- Do czyszczenia ładowarki nie należy używać wody.
- Ładowarka do akumulatora może być używana przez dzieci, które przekroczyły 8 rok życia, oraz przez osoby o ograniczonych zdolnościach fizycznych, sensorycznych bądź umysłowych lub nie posiadające odpowiedniego doświadczenia i wiedzy, jeśli są one pod nadzorem lub zostały poinstruowane w zakresie bezpiecznego użytkowania ładowarki i rozumieją wiążące się z nią zagrożenia. Dzieci nie mogą bawić się ładowarką do akumulatora. Dzieci nie mogą bez nadzoru czyścić urządzenia ani przeprowadzać jego konserwacji.
- Nie należy ładować akumulatorów nieprzeznaczonych do ładowania.
- Nie używać ładowarki do akumulatora w pobliżu łatwopalnych materiałów lub materiałów, które mogą powodować korozję. Ładowarki nie należy przykrywać. W razie zauważenia dymu lub ognia należy odłączyć ładowarkę od źródła zasilania.
- Nie należy używać wadliwej lub uszkodzonej ładowarki do akumulatora.
- Należy ładować akumulator wyłącznie wewnątrz budynku, w pomieszczeniu z dobrym przepływem powietrza i z dala od światła słonecznego. Nie ładować akumulatora w wilgotnym otoczeniu.

Instrukcje bezpieczeństwa dotyczące konserwacji



OSTRZEŻENIE: Przed rozpoczęciem użytkowania produktu przeczytać następujące ostrzeżenia.

- Aby zapobiec przypadkowemu włączeniu w trakcie prac konserwacyjnych, należy przekręcić klucz bezpieczeństwa w położenie „0” i wyjąć akumulator. Przed rozpoczęciem prac konserwacyjnych odczekać co najmniej 5 s.
- Należy wykonywać jedynie prace konserwacyjne opisane w instrukcji obsługi. Większe i bardziej skomplikowane prace oraz profesjonalne naprawy muszą być wykonywane w autoryzowanym punkcie serwisowym. Więcej informacji można uzyskać w najbliższym punkcie serwisowym.
- Prace konserwacyjne należy wykonywać w prawidłowy sposób, aby zwiększyć żywotność produktu i zmniejszyć ryzyko wypadków.
- Wymienić uszkodzone, zużyte lub zniszczone części. Zawsze należy używać oryginalnych części zamiennych, dostarczanych przez producenta. Inne części zamienne mogą spowodować uszkodzenie produktu i zwiększyć ryzyko wypadków.
- Nie wolno wymontowywać ani modyfikować urządzeń zabezpieczających, ponieważ grozi to odniesieniem obrażeń.
- Podczas obsługi osprzętu tnącego należy zakładać specjalistyczne rękawice. Nóż jest bardzo ostry i może łatwo doprowadzić do skażenia.
- Aby uzyskać jak najlepsze efekty i zapewnić bezpieczeństwo, należy utrzymywać krawędzie tnące naostrzone i czyste.
- Regularnie oddawać urządzenie do autoryzowanego punktu serwisowego w celu jego kontroli i dokonania koniecznych regulacji lub napraw.
- Należy przestrzegać instrukcji wymiany akcesoriów. Używać wyłącznie akcesoriów od producenta urządzenia.
- Gdy urządzenie nie jest użytkowane, należy przechowywać produkt, akumulator i ładowarkę z dala od siebie, w suchym i zamkniętym pomieszczeniu. Upewnić się, że dzieci ani osoby niepowołane nie mogą uzyskać dostępu do produktu, akumulatora ani ładowarki.

Montaż

Wstęp



OSTRZEŻENIE: Przed montażem produktu należy przeczytać rozdział dotyczący bezpieczeństwa.



OSTRZEŻENIE: Aby uniknąć niezamierzonego uruchomienia w trakcie montażu, należy przekręcić kluczyk zabezpieczający w położenie „0”, wyjąć akumulator i odczekać przynajmniej 5 s.

Montaż uchwytu

1. Złożyć górny uchwyt do przodu.

2. Dokręcić pokrętła uchwytu. (Rys. 18)
3. Pociągnąć uchwyt do tyłu, aż znajdzie się w położeniu końcowym.
4. Złożyć dźwignię regulacji wysokości i umieścić w rowku. (Rys. 19)
5. Nacisnąć stopą dźwignię regulacji wysokości. (Rys. 20)

Regulacja wysokości uchwytu

1. Nacisnąć stopą dźwignię regulacji wysokości.
2. Ustawić uchwyt sterowniczy w prawidłowym położeniu i zwolnić uchwyt sterowniczy. (Rys. 21)

Przeznaczenie

Wstęp



OSTRZEŻENIE: Przed użyciem urządzenia należy przeczytać ze zrozumieniem rozdział poświęcony bezpieczeństwu.

Husqvarna Connect

Husqvarna Connect to darmowa aplikacja na urządzeniu mobilne. Husqvarna ConnectHusqvarna

- Extended product information.
- Information about, and help with, product parts and servicing.

Rozpoczęcie użytkowania Husqvarna Connect

1. Pobierz aplikację Husqvarna Connect na swoim urządzeniu mobilnym.
2. Zarejestruj się w aplikacji Husqvarna Connect.
3. Wykonaj instrukcje wyświetlane w aplikacji Husqvarna Connect, aby nawiązać połączenie i zarejestrować produkt.

Ustawienie kosiarki w pozycji roboczej

1. Zmontować uchwyt. Patrz Montaż uchwytu na stronie 287.
2. Dostosuj wysokość uchwytu. Patrz Regulacja wysokości uchwytu na stronie 287.



UWAGA: Upewnij się, że przewody nie są zbyt mocno naprężone. Zbyt mocne naprężenie może spowodować uszkodzenie

przewodu w przypadku złożenia uchwytu do położenia transportowego.



OSTRZEŻENIE: Nie wolno używać produktu, jeśli uchwyt nie jest całkowicie złożony do góry i ustawiony w jednej z odpowiednich pozycji wysokości. Patrz Regulacja wysokości uchwytu na stronie 287.

Regulacja wysokości koszenia

Można ustawiać 6 różnych wysokości cięcia.

1. Zatrzymać silnik.
2. Przesunąć dźwignię wysokości koszenia do tyłu w celu zwiększenia wysokości koszenia. (Rys. 22)
3. Przesunąć dźwignię wysokości koszenia do przodu w celu zmniejszenia wysokości koszenia.



UWAGA: Nie należy ustawiać zbyt niskiej wysokości koszenia. Noże mogą uderzyć w ziemię, jeśli powierzchnia trawnika nie jest równa.

Akumulator



OSTRZEŻENIE: Przed rozpoczęciem korzystania z akumulatora należy przeczytać ze zrozumieniem rozdział poświęcony bezpieczeństwu. Należy również przeczytać uważnie instrukcję obsługi dołączonej do akumulatora i ładowarki.

Zapewnić akumulatorowi i ładowarce prawidłową temperaturę otoczenia.

	Temperatura otoczenia
Działanie akumulatora	5–40°C
Ładowanie akumulatora	5–40°C

Stan akumulatora

Na wyświetlaczu pokazywane są informacje o stanie naładowania akumulatora i sygnalizowane ewentualne problemy. Stan naładowania akumulatora jest wyświetlany przez 5 sekund po wyłączeniu urządzenia lub po naciśnięciu wskaźnika akumulatora. W przypadku wystąpienia błędów zapala się symbol ostrzegawczy na akumulatorze. Patrz Akumulator na stronie 291.

(Rys. 23)

Diody LED	Stan akumulatora
Świecą się wszystkie diody LED.	W pełni naładowany (75–100%).
Świecą się diody LED 1, LED 2, LED 3.	Poziom naładowania akumulatora 50–75%.
Świecą się diody LED 1, LED 2.	Poziom naładowania akumulatora 25–50%.
Świeci się dioda LED 1.	Poziom naładowania akumulatora: 0–25%.
Miga dioda LED 1.	Akumulator rozładowany. Naładuj akumulator.

Ładowanie akumulatora

Przed pierwszym użyciem należy naładować akumulator. W chwili dostawy do klienta akumulator jest naładowany jedynie w 30%.

Uwaga: Ładowarka do akumulatora musi zostać podłączona do napięcia i częstotliwości wskazanych na tabliczce znamionowej.

Akumulator nie ładuje się, gdy temperatura akumulatora przekracza 50°C. Przed rozpoczęciem ładowania ładowarka zmniejsza temperaturę akumulatora.

1. Podłączyć jeden koniec przewodu zasilającego ładowarki do gniazda ładowarki.
2. Podłączyć drugi koniec przewodu zasilającego ładowarki do gniazda sieciowego z uziemieniem. Dioda ładowarki błysnie jeden raz na zielono. (Rys. 24)
3. Włóż akumulator do ładowarki. Kiedy akumulator jest prawidłowo podłączony do ładowarki, włącza się na niej zielona dioda. (Rys. 25)

4. Akumulator jest całkowicie naładowany, gdy włączą się wszystkie diody. Akumulator można ładować przez maks. 24 godziny.
5. Aby odłączyć ładowarkę od gniazda sieciowego, należy ciągnąć za wtyczkę, a nie za przewód.
6. Akumulator należy wyjąć z ładowarki.

Stan ładowania akumulatora

Baterie litowo-jonowe Husqvarna mogą być ładowane niezależnie od ich stopnia naładowania. Akumulator nie jest uszkodzony. W pełni naładowany akumulator nie rozładuje się nawet jak zostanie w ładowarce.

Wyświetlacz LED	Stan ładowania
Miga dioda LED 1.	0–25%
Dioda LED 1 świeci, a dioda LED 2 miga.	25–50%
Diody LED 1 i LED 2 świecą, a dioda LED 3 miga.	50–75%
Diody LED 1, LED 2 i LED 3 świecą, a dioda LED 4 miga.	75–100%
Świecą diody LED 1, LED 2, LED 3 i LED 4	Akumulator całkowicie naładowany

Uruchamianie produktu

1. Otworzyć pokrywę akumulatora.
2. Umieścić naładowany akumulator w uchwycie akumulatora.
3. Obróć kluczyk bezpieczeństwa do położenia 1. (Rys. 26)
4. Należy pozostawać za maszyną.
5. Poluzować opóźniacz rozruchu. (Rys. 17)
6. Pchnąć dźwignię hamulca silnikowego w stronę uchwytu sterowniczego. (Rys. 27)

Korzystanie z funkcji SaveE™

Urządzenie wyposażone jest w funkcję oszczędzania akumulatora (SaveE™), która zapewnia dłuższy czas pracy.

- Aby uruchomić funkcję, należy przekręcić przycisk SaveE™ w położenie 1. (Rys. 28)
- Przekręcenie przycisku SaveE™ w położenie 0 wyłączy funkcję.

Uwaga: Funkcja SaveE™ zostanie wyłączona automatycznie, jeśli okaże się, że stan podłoża wymaga zastosowania większej mocy. Funkcja SaveE™ ponownie uruchomi się automatycznie, gdy tylko stan podłoża na to pozwoli.

Funkcja dużego obciążenia

Jeżeli urządzenie jest używane do ścinania mokrej lub długiej trawy, silnik automatycznie zwiększy prędkość obrotową. Silnik powróci do trybu standardowego, gdy wysokie obciążenie nie będzie już potrzebne.

Silnik gaśnie

Podczas pracy nóż i silnik mogą chwilowo zatrzymać się z powodu przeszkód, takich jak nagromadzona trawa pod pokrywą zespołu tnącego. W takim przypadku, jeśli dźwignia hamulca silnikowego jest nadal wciśnięta w dół, urządzenie automatycznie uruchamia się ponownie. Jeśli urządzenie nie uruchomi się ponownie w ciągu 5-10 sekund, konieczne może być wyczyszczenie obszaru pod pokrywą zespołu tnącego. Patrz Czyszczenie produktu na stronie 290.



OSTRZEŻENIE: Jeśli silnik się zatrzyma, urządzenie będzie próbować automatycznie uruchomić się ponownie przez 5-10 sekund. Przed sprawdzeniem pokrywy zespołu tnącego należy odczekać co najmniej 15 sekund.



OSTRZEŻENIE: Przed sprawdzeniem pokrywy zespołu tnącego zwolnić dźwignię hamulca silnikowego, przekręcić kluczyk bezpieczeństwa do pozycji 0, wyjąć akumulator i odczekać co najmniej 5 sekund. Jeśli przeszkoda zostanie usunięta i produkt przypadkowo uruchomi się, można odnieść obrażenia.

Wyłączanie urządzenia



OSTRZEŻENIE: Przed pozostawieniem produktu poza zasięgiem wzroku należy ustawić kluczyk bezpieczeństwa w położeniu 0.

Przegląd

Wstęp



OSTRZEŻENIE: Przed przeprowadzeniem konserwacji należy przeczytać i zrozumieć rozdział o bezpieczeństwie.

Do wykonywania wszelkich prac serwisowych i naprawczych konieczne jest specjalistyczne przeszkolenie. Gwarantujemy dostępność profesjonalnych napraw i usług serwisowych. Jeśli dany dealer nie jest autoryzowanym punktem serwisowym, poproś sprzedawcę o informacje na temat najbliższego autoryzowanego punktu serwisowego.

1. Aby wyłączyć silnik, należy zwolnić uchwyt hamulca silnika. (Rys. 29)
2. Otworzyć pokrywę akumulatora i obrócić kluczyk bezpieczeństwa w położenie „0”. (Rys. 30)
3. Aby wyjąć akumulator, nacisnąć 2 przyciski zwalniające i go wyciągnąć. (Rys. 31)
4. Jeżeli poziom naładowania akumulatora jest niski, należy go naładować. Aby uzyskać więcej informacji, patrz Ładowanie akumulatora na stronie 288.

Uzyskiwanie dobrych rezultatów

- Używać zawsze dobrze naostrzonych ostrzy. Stępione ostrze daje nierównomierne rezultaty, a ścinana powierzchnia żółknie. Naostrzone ostrze zużywa również mniej energii niż ostrze stępione.
- Nie należy kosić więcej niż 1/3 długości trawy. Najpierw należy kosić przy użyciu dużej wysokości koszenia. Zbadać rezultaty i obniżyć wysokość koszenia do odpowiedniego poziomu. Jeśli trawa jest bardzo długa, w razie konieczności należy przejechać powoli i ścinać dwukrotnie.
- Kosić za każdym razem w różnych kierunkach, aby uniknąć powstawania pasów na trawniku.
- Utrzymywać osłonę zespołu tnącego w czystości. Nagromadzenie trawy i zanieczyszczeń po wewnętrznej stronie osłony zespołu tnącego może zmniejszyć efekt koszenia. Patrz Czyszczenie produktu na stronie 290.

Aby uzyskać więcej szczegółowych informacji, patrz www.husqvarna.com.

Plan konserwacji

Odstępy pomiędzy konserwacjami obliczane są w oparciu o codzienne wykorzystanie produktu. Odstępy te ulegają zmianie, jeśli maszyna nie jest użytkowana codziennie.

W przypadku konserwacji oznaczonych gwiazdką *, patrz instrukcje w Bezpieczeństwo na stronie 281.

	Każde użycie	Co miesiąc	Co sezon
Przeprowadzić ogólny przegląd.	X		
Wyczyścić urządzenie.	X		
Oczyścić obszar wokół dźwigni regulacji wysokości uchwytu.	X		
Sprawdzić blokadę rozruchu. *	X		
Sprawdzić, czy urządzenia zabezpieczające są sprawne. *	X		
Sprawdzić osprzęt tnący.	X		
Sprawdzić pokrywę zespołu tnącego. *	X		
Sprawdzić dźwignię hamulca silnikowego. *	X		
Sprawdzić akumulator pod kątem uszkodzeń.	X		
Sprawdzić naładowanie akumulatora.	X		
Sprawdzić, czy przyciski zwalniające akumulator działają prawidłowo oraz czy blokuje się on na miejscu w urządzeniu.	X		
Sprawdzić, czy ładowarka nie jest uszkodzona oraz czy działa prawidłowo.		X	
Sprawdzić połączenia pomiędzy akumulatorem a urządzeniem. Sprawdzić również połączenie pomiędzy akumulatorem a ładowarką.			X

Przegląd ogólny

- Należy upewnić się, że nakrętki i śruby maszyny są dokręcone.
- Upewnić się, że przewody urządzenia nie znajdują się w położeniu, w którym mogłyby ulec uszkodzeniu.

Czyszczenie produktu

- Plastikowe części należy czyścić czystą i suchą ściereczką.
- Do czyszczenia urządzenia nie należy używać wody. Woda mogłaby dostać się do akumulatora lub silnika i wywołać zwarcie lub uszkodzenie urządzenia.
- Nie używać myjek wysokociśnieniowych do czyszczenia urządzenia.
- Nie polewać silnika bezpośrednio wodą.
- W celu usunięcia liści, trawy i brudu należy użyć szczotki.

Czyszczenie akumulatora i ładowarki



OSTRZEŻENIE: Do czyszczenia akumulatora i ładowarki nie należy używać wody.



OSTRZEŻENIE: Do czyszczenia akumulatora nie należy używać żadnych substancji chemicznych.

- Przed włożeniem akumulatora do ładowarki należy sprawdzić, czy akumulator i ładowarka są czyste i suche.
- Zaciski akumulatora należy czyścić sprężonym powietrzem lub miękką i suchą szmatką.
- Powierzchnie akumulatora i ładowarki należy czyścić miękką i suchą szmatką.

Czyszczenie obszaru wokół dźwigni regulacji wysokości uchwytu

- W celu usunięcia liści, trawy i brudu należy użyć szczotki.
(Rys. 32)

Kontrola osprzętu tnącego



OSTRZEŻENIE: Aby uniknąć niezamierzonego uruchomienia, należy przekręcić kluczyk zabezpieczający do położenia 0, wyjąć akumulator i odczekać przynajmniej 5 s.



OSTRZEŻENIE: W trakcie konserwacji narzędzi tnących należy korzystać z rękawic ochronnych. Ostrze jest bardzo ostre i może łatwo doprowadzić do skaleczenia.

1. Należy skontrolować, czy osprzęt tnący nie jest uszkodzony bądź pęknięty. Zawsze wymieniać uszkodzony osprzęt tnący.
2. Obejrzyć ostrze i upewnić się, że nie jest uszkodzone lub stępione.

Uwaga: Po ostrzeniu ostrze należy wypoziomować. Ostrzenie, wymiana i poziomicowanie ostrza winno zostać przeprowadzone przez centrum serwisowe. W przypadku uderzenia w przeszkodę, która zatrzymuje maszynę, należy wymienić uszkodzone ostrze. Pozwolić, aby przedstawiciel serwisowy oszacował, czy ostrze można naostrzyć czy wymienić.

Wymiana noża

Patrz Dane techniczne na stronie 294 w celu uzyskania informacji na temat prawidłowego typu noża.



OSTRZEŻENIE: Zablokować nóż drewnianym klokiem, aby zapobiec obrażeniom palców podczas wymiany noży. Gdy silnik jest wyłączony, nóż nadal może się poruszać, przez co może dojść do przycięcia palców między nożem a nieruchomymi częściami.

1. Zablokować nóż przy użyciu drewnianego bloku. (Rys. 33)

2. Wykręcić śrubę noża, wyjąć podkładkę sprężynową i nóż. (Rys. 34)
3. Skontrolować wspornik noża oraz śrubę noża pod kątem uszkodzeń.
4. Skontrolować wał silnika, aby upewnić się, że nie jest zgięty.
5. Podczas mocowania nowego noża należy skierować zakrzywione końce noża ku pokrywie zespołu tnącego. (Rys. 35)
6. Upewnić się, że nóż jest wyrównany względem środka wału silnika.
7. Zablokować nóż przy użyciu drewnianego bloku. Zamocować podkładkę sprężynową i dokręcić śrubę oraz podkładkę momentem dokręcania wynoszącym 23–28 Nm. (Rys. 36) (Rys. 34)
8. Obracać nożem za pomocą ręki i sprawdzić, czy obraca się swobodnie.



OSTRZEŻENIE: Nosić solidne rękawice ochronne. Nóż jest bardzo ostry i może łatwo doprowadzić do skaleczenia.

9. Uruchomić maszynę w celu przetestowania noża. Jeśli nóż nie został zamontowany prawidłowo, maszyna będzie wibrować lub rezultaty koszenia będą niezadowalające.

Rozwiązywanie problemów

Akumulator

Dioda na akumulatorze	Przyczyna	Rozwiązanie
Miga zielona dioda LED.	Napięcie akumulatora jest niskie.	Naładować akumulator. Patrz Ładowanie akumulatora na stronie 288.
Miga dioda LED błędu.	Akumulator jest słaby.	Naładować akumulator. Patrz Ładowanie akumulatora na stronie 288.
	Temperatura środowiska pracy jest zbyt wysoka lub zbyt niska.	Akumulator można użytkować w zakresie temperatur od 5°C do 40°C.
	Przepięcie.	Sprawdzić, czy napięcie sieciowe jest takie, jak podano na tabliczce znamionowej na urządzeniu. Akumulator należy wyjąć z ładowarki. Odczekać 5 s i spróbować ponownie naładować akumulator. Jeśli problem utrzymuje się, skontaktować się z autoryzowanym warsztatem obsługi technicznej.
Dioda LED błędu jest włączona.	Zbyt wysoka różnica między ogniwa- mi akumulatora (1 V).	Skontaktować się z autoryzowanym punktem serwisowym.

Ładowarka

Dioda na ładowarce	Przyczyna	Rozwiązanie
Miga dioda LED błędu.	Temperatura środowiska pracy jest zbyt wysoka lub zbyt niska.	Ładowarkę akumulatora można użytkować w zakresie temperatur od 5°C do 40°C.
Dioda LED błędu jest włączona.		Skontaktować się z autoryzowanym punktem serwisowym.

Kosiarka

Wskaźnik ostrzegawczy (dioda LED błędu) znajduje się pod pokrywą akumulatora.

Problem	Dioda LED błędu (liczba błysków)	Przyczyna	Rozwiązanie
Miga dioda LED błędu. Produkt nie działa prawidłowo.	5	Nóż jest zablokowany.	Aby zapobiec przypadkowemu uruchomieniu silnika, należy przekręcić kluczyk bezpieczeństwa w położenie 0. Wyjąć akumulator i odczekać co najmniej 5 sekund. Usunąć wszelkie przeszkody i upewnić się, że nóż może się swobodnie obracać. Jeśli problem utrzymuje się, skontaktować się z autoryzowanym warsztatem obsługi technicznej.
		Prędkość obrotowa silnika spada zbyt mocno i silnik wyłącza się.	Zwiększyć wysokość koszenia. Patrz Regulacja wysokości koszenia na stronie 287.
	10	Sterownik silnika jest zbyt gorący.	Wyłączyć silnik i poczekać, aż ostygnie.
Miga dioda LED błędu. Produkt zatrzymuje się.	0	Usterka złącza akumulatora.	Sprawdzić złącze akumulatora.
	3	Silnik jest przeciążony.	Zwiększyć wysokość koszenia. Patrz Regulacja wysokości koszenia na stronie 287.
	8	Akumulator jest słaby.	Naładować akumulator. Patrz Ładowanie akumulatora na stronie 288.
	9	Błąd akumulatora lub brak sygnału z akumulatora.	Prawidłowo umieścić akumulator w urządzeniu i sprawdzić złącze akumulatora. Jeśli miga dioda błędu na akumulatorze. Patrz Stan akumulatora na stronie 288.
	12	Nieprawidłowa procedura rozruchu. Dźwignię hamulca silnikowego zaciągnięto przed uruchomieniem silnika.	Zwolnić dźwignię hamulca silnikowego i odczekać około 5 sekund. Ponownie nacisnąć dźwignię hamulca silnikowego, aby uruchomić urządzenie.
Inne błędy.	W przypadku wystąpienia innego błędu obrócić kluczyk bezpieczeństwa do położenia 0, wyjąć akumulator i skontaktować się z autoryzowanym warsztatem obsługi technicznej.		

Transport, przechowywanie i utylizacja

Wstęp



OSTRZEŻENIE: Aby uniknąć niezamierzonego uruchomienia w trakcie transportu i przechowywania, należy przekreślić kluczyk bezpieczeństwa w położeniu 0, wyjąć akumulator i odczekać przynajmniej 5 sekund.

Ustawianie urządzenia w pozycji transportowej

1. Popchnąć stopą dźwignię regulacji wysokości. (Rys. 37)
2. Pociągnąć uchwyt do góry i wyciągnąć dźwignię regulacji wysokości z rowka.
3. Złożyć uchwyt do przodu, aż osiągnie położenie końcowe. (Rys. 38)
4. Złożyć dźwignię regulacji wysokości w kierunku osłony cięcia. (Rys. 39)
5. Zwolnić pokrętkę uchwytu. (Rys. 40)
6. Złożyć górny uchwyt do tyłu. (Rys. 41)

Transport

- Przepisy dotyczące towarów niebezpiecznych mają zastosowanie do dołączonych akumulatorów litowo-jonowych.
- W przypadku transportu komercyjnego należy przestrzegać specjalnych wymagań umieszczonych na opakowaniu i etykietach.
- W trakcie przygotowywania urządzenia do transportu należy upewnić się, że postępuje się zgodnie z przepisami dotyczącymi materiałów niebezpiecznych. Mogą obowiązywać również lokalne przepisy.
- Zawsze wyjmować akumulator na czas transportu.
- Na złączach akumulatora należy przykleić taśmę i upewnić się, że akumulator nie może się przemieszczać w trakcie transportu.
- W trakcie transportu urządzenie należy zamocować.

Przechowywanie

- Przed pozostawieniem na okres przechowania odczekać, aż urządzenie ostygnie.
- Zawsze wyjmować akumulator do przechowania.
- Aby uniknąć wypadków, upewnić się, że akumulator jest odłączony od produktu podczas przechowywania.

- Akumulator należy trzymać w zamkniętym i suchym miejscu.
- Akumulator i ładowarkę należy trzymać w suchym miejscu, w którym nie występuje wilgoć ani mroz.
- Na czas przechowywania odłączyć akumulator od ładowarki.
- Nie przechowywać akumulatora w miejscu, gdzie może występować elektryczność statyczna. Nie przechowywać akumulatora w metalowym pojemniku.
- Produkt należy przechowywać w temperaturze otoczenia w zakresie od -10°C do 40°C.
- Akumulator należy przechowywać w temperaturze otoczenia od 5°C do 25°C, w miejscu osłoniętym przed działaniem promieni słonecznych.
- Ładowarkę należy przechowywać w temperaturze otoczenia od 5°C do 45°C, w miejscu osłoniętym przed działaniem promieni słonecznych.
- Przed odstawieniem urządzenia na dłuższe przechowywanie należy upewnić się, że poziom naładowania akumulatora wynosi 30%–50%.
- Urządzenie, akumulator i ładowarkę należy trzymać w zamkniętym pomieszczeniu, niedostępnym dla dzieci ani osób nieupoważnionych.
- Wyczyścić produkt i upewnić się, że pojemnik na trawę jest pusty.
- Konserwację należy przeprowadzać wyłącznie według instrukcji użytkownika. Patrz Plan konserwacji na stronie 289.
- Przed pozostawieniem produktu na dłuższy okres przechowywania należy go wyczyścić oraz przeprowadzić pełny przegląd.

Utylizacja

Symbole znajdujące się na urządzeniu oraz na opakowaniu informują o tym, że nie wolno traktować go jak zwykłego odpadu domowego. Musi ono zostać oddane do odpowiedniego punktu pobierania surowców wtórnych, zajmującego się przetwarzaniem urządzeń elektrycznych oraz elektronicznych.

Przekazując produkt w odpowiednie miejsce, pomagasz przeciwdziałać jego potencjalnemu negatywnemu wpływowi na środowisko naturalne i ludzi. Aby uzyskać więcej informacji na temat recyklingu niniejszego produktu, skontaktować się z urzędem miasta lub gminy, przedsiębiorstwem gospodarki komunalnej albo punktem sprzedaży, w którym produkt został kupiony.

(Rys. 42)

Dane techniczne

	LB 144i
Napęd noży	
Typ silnika	BLDC (bezszcotkowy) 36 V
Prędkość silnika – SavE, obr./min	2600/min
Prędkość silnika – nominalna, obr./min	3200/min
Prędkość silnika – duże obciążenie, obr./min	3500/min
Moc silnika – maks., kW	0,9
Moc silnika – nominalna, kW	0,75
Silnik napędowy	
Moc silnika – nominalna, kW	N/D
Prędkość chodu, km/h	N/D
Poziomy regulacji prędkości	N/D
Waga	
Ciężar (bez akumulatora), kg	15,5
Waga (w tym 1x Bli30), kg	17,5
Akumulator	
Typ akumulatora	Akumulatory z serii Husqvarna
Czas pracy na akumulatorze	
Czas pracy akumulatora, min, (swobodna praca) z aktywną funkcją SavE, z jednym akumulatorem Husqvarna 7,5 Ah (Bli30).	170
Czas pracy akumulatora, min, (swobodna praca) w trybie standardowym, z jednym akumulatorem Husqvarna 7,5 Ah (Bli30).	135
Poziom hałas ⁵²	
Zmierzony poziom mocy akustycznej, dB(A)	90
Poziom głośności, gwarantowana moc akustyczna L _{WA} dB(A)	92
Poziomy głośności ⁵³	
Poziom ciśnienia akustycznego przy uchu operatora, dB(A)	77
Poziomy drgań ⁵⁴	
Uchwyt, m/s ²	0,7

⁵² Emisję hałasu do otoczenia zmierzono jako moc akustyczną (L_{WA}), zgodnie z dyrektywą Rady 2000/14/WE.

⁵³ Współczynnik niepewności (K) pomiaru zarejestrowanych danych dotyczących poziomu ciśnienia akustycznego wynosi 1,5 dB(A).

⁵⁴ Współczynnik niepewności (K) pomiaru zarejestrowanych danych dotyczących poziomu drgań wynosi 1,5 m/s². Zadeklarowana całkowita wartość drgań została zmierzona zgodnie z normą EN 62841-4-3, załącznik I, i może być używana do porównywania różnych maszyn oraz do wstępnej oceny jej wielkości.

	LB 144i
Osprzęt tnący	
Wysokość koszenia, mm	25-75
Szerokość koszenia, cm	44
Standardowy nóż	Mulczowanie 5298073-10
Dodatkowy nóż	N/D

Zatwierdzone akumulatory	Typ	Pojemność akumulatora, Ah	Napięcie, V	Waga, funty/kg
40-B140	Litowo-jonowy	4,0	36	2,6/1,2
BLi30	Litowo-jonowy	7,5	36	4,2/1,9

Zatwierdzone ładowarki obsługujące określone akumulatory, BLi	Napięcie wejściowe, V	Częstotliwość, Hz	Moc, W
40-C80	100-240	50-60	68,8
QC250	220-240	50	250

Deklaracja zgodności

Deklaracja zgodności UE

Firma **Husqvarna AB**, SE-561 82 Huskvarna,
Szwecja, tel.: +46-36-146500, deklarujemy z pełną
odpowiedzialnością, że produkt:

Opis	Kosiarka
Marka	Husqvarna
Typ/model	LB 144i
Identyfikacja	Numery seryjne z roku 2022 i nowsze

spełnia wszystkie wymogi określone w odpowiednich
dyrektywach i przepisach UE:

Przepis	Opis
2006/42/WE	„w sprawie maszyn”
2014/30/UE	„w sprawie kompatybilności elektromagnetycznej”
2000/14/WE	„dotycząca emisji hałasu do środowiska”
2011/65/UE	„dotycząca ograniczenia użycia niektórych substancji niebezpiecznych w sprzęcie elektrycznym i elektronicznym”

oraz został zaprojektowany zgodnie z następującymi
normami i parametrami technicznymi: EN 62841-1:2015/
AC:2015, EN IEC 62841-4-3:2021/A11:2021, EN ISO
12100:2010, EN 55014-1:2021, EN 55014-2:2021, EN
IEC 61000-6-2:2019, EN IEC 61000-6-3:2021, EN IEC
63000:2018

Jednostka notyfikowana: 0404, RISE SMP Svensk
Maskinprovning AB, Box 4053, SE-904 03 Umeå,
Sweden potwierdza zgodność z dyrektywą rady
2000/14/WE, procedura oceny zgodności: Załącznik VI.

Informacje dotyczące emisji hałasu, patrz Dane
techniczne na stronie 294.

Huskvarna, 2022-12-05



Claes Losdal, Szef ds. Rozwoju Produkcji/Produkty
ogrodowe, Husqvarna AB

Osoba odpowiedzialna za dokumentację techniczną



ÍNDICE

Introdução.....	297	Resolução de problemas.....	308
Segurança.....	298	Transporte, armazenamento e eliminação.....	310
Montagem.....	303	Especificações técnicas.....	311
Funcionamento.....	304	Declaração de conformidade.....	313
Manutenção.....	306		

Introdução

Descrição do produto

O produto é um corta-relva giratório de controlo apeado que utiliza BioClip para cortar a relva e torná-la em fertilizante.

Vista geral do produto

(Fig. 1)

1. Punho/barra de direção
2. Punho do travão do motor
3. Inibidor de arranque
4. Punhos de elevação
5. Plataforma de corte
6. Alavanca da altura de corte
7. Chave de segurança
8. Tapa da bateria
9. Manípulo de ajuste da altura da barra de direção
10. Botão SavE (economia)
11. Indicador de aviso (LED de erro)
12. Manual do utilizador
13. Carregador de bateria (acessório)
14. Bateria (acessório)

Símbolos no produto

(Fig. 2) ATENÇÃO

(Fig. 3) Leia as instruções.

(Fig. 4) AVISO – Tenha cuidado com objetos projetados.

(Fig. 5) Mantenha as outras pessoas afastadas.

(Fig. 6) AVISO – Mantenha as mãos e os pés afastados das lâminas.

(Fig. 7) AVISO – Desligue a bateria antes da manutenção.

(Fig. 8) O produto ou a respetiva embalagem não são resíduos domésticos. Recicle o equipamento numa estação de

Finalidade

Utilize o produto para cortar a relva. Não utilize o produto para outras tarefas.

reciclagem para equipamentos elétricos e eletrónicos.

(Fig. 9)

Emissão de ruído para a etiqueta ambiental de acordo com as diretivas e regulamentos da União Europeia e do Reino Unido e o regulamento "Protection of the Environment Operations (Noise Control) Regulation 2017" (regulamento de proteção de operações no meio ambiente [controlo do ruído] de 2017) da Nova Gales do Sul. O nível de potência sonora garantido do produto está especificado nas Especificações técnicas na página 311 e na etiqueta.

(Fig. 10)

Este acessório está em conformidade com as diretivas aplicáveis da CE.

(Fig. 11)

Este produto está em conformidade com os regulamento aplicáveis do Reino Unido.

(Fig. 12)

O produto está protegido contra gotejamento.

(Fig. 13)

Solte o punho do travão do motor para parar.

(Fig. 14)

Código para leitura.

Nota: Os restantes símbolos/auto-colantes existentes no produto dizem respeito às exigências de homologação de alguns países.

Responsabilidade pelo produto

Como referido nas leis de responsabilidade pelo produto, não somos responsáveis por danos causados pelo nosso produto se:

- o produto tiver sido incorretamente reparado.
- o produto tiver sido reparado com peças que não sejam do fabricante ou que não sejam aprovadas pelo fabricante.

- o produto tiver um acessório que não seja do fabricante ou que não seja aprovado pelo fabricante.
- o produto não tiver sido reparado por um centro de assistência autorizado ou por uma autoridade aprovada.

Segurança

Definições de segurança

Os avisos, as precauções e as notas são utilizados para indicar partes especialmente importantes do manual.



ATENÇÃO: Utilizado no caso de existir risco de ferimento ou morte para o utilizador ou transeuntes, se não forem respeitadas as instruções do manual.



CUIDADO: Utilizado se existir risco de danos para o produto, para outros materiais ou para a área adjacente, se não forem respeitadas as instruções do manual.

Nota: Utilizado para disponibilizar informações adicionais necessárias numa determinada situação.

Avisos gerais de segurança do produto



ATENÇÃO: Leia todos os avisos de segurança, as instruções, as ilustrações e as especificações fornecidos com este produto. O incumprimento das instruções indicadas abaixo poderá resultar em choques elétricos, incêndios e/ou ferimentos graves.

Guarde todos os avisos e instruções para referência futura. O termo "produto" nos avisos refere-se a produtos (com fios) ligados à corrente elétrica ou a produtos (sem fios) de funcionamento a bateria.

Segurança no local de trabalho

- Mantenha a área de trabalho limpa e bem iluminada. Áreas desarrumadas ou escuras convidam ao acidente.
- Não utilize o produto em ambientes explosivos, tal como na presença de poeiras, gases ou líquidos inflamáveis. O produto cria faíscas que podem inflamar poeiras ou gases.
- Mantenha as crianças e restantes pessoas afastadas enquanto opera o produto. As distrações podem fazê-lo perder o controlo.

Segurança no manejo de eletricidade

- As fichas dos produtos têm de corresponder à tomada. Nunca modifique a ficha de qualquer forma. Não utilize quaisquer fichas adaptadoras com produtos ligados à terra. As fichas inalteradas e as tomadas correspondentes reduzem o risco de choque elétrico.
- Evite o contacto corporal com superfícies ligadas à terra, tais como tubos, radiadores, fogões e frigoríficos. Existe um risco acrescido de choque elétrico se o seu corpo estiver em contacto com a terra.
- Não exponha os produtos à chuva ou a condições de humidade. A entrada de água num produto aumenta o risco de choque elétrico.
- Não danifique o fio eléctrico. Nunca utilize o cabo elétrico para transportar, puxar ou desligar o produto. Mantenha o cabo elétrico afastado de fontes de calor, óleo, arestas afiadas ou de peças em movimento. Os fios elétricos danificados ou emaranhados aumentam o risco de choque elétrico.
- Ao utilizar um produto no exterior, utilize uma extensão elétrica adequada para utilização em exteriores. A utilização de um cabo elétrico adequado para utilização no exterior reduz o risco de choque elétrico.
- Se não puder evitar utilizar um produto num local húmido, utilize uma fonte de alimentação com corta-circuito com um dispositivo diferencial residual (DDR). A utilização de um RCD reduz o risco de choque elétrico.

Segurança pessoal

- Mantenha-se em alerta, tenha atenção ao que está a fazer e use o bom senso ao utilizar um produto. Não utilize um produto se estiver cansado ou sob a influência de drogas, álcool ou medicação. Um momento de desatenção ao utilizar os produtos pode resultar em lesões pessoais graves.
- Use equipamento de proteção pessoal. Use sempre proteção ocular. A utilização de equipamento de proteção como máscara antipoeira, calçado de segurança antiderrapante, capacete ou protetores acústicos nas condições apropriadas irá reduzir os ferimentos pessoais.

- **Prevenção de arranque não intencional.** Certifique-se de que o interruptor se encontra desligado antes de ligar o produto à fonte de alimentação e/ou à bateria, ou de o pegar ou transportar. Transportar os produtos com o dedo no interruptor ou ligar os produtos à corrente elétrica com o interruptor ligado é um convite aos acidentes.
- **Remova qualquer chave de ajuste ou chave de porcas antes de ligar o produto.** Uma chave de porcas ou uma chave ligada a uma peça em rotação do produto pode resultar em lesões pessoais.
- **Não se debruce.** Mantenha o equilíbrio e os pés sempre bem assentes. Isto permite um melhor controlo do produto em situações inesperadas.
- **Vista-se adequadamente.** Não use peças de roupa soltas ou jóias. Mantenha o cabelo e roupas longe de quaisquer peças em movimento. Roupas soltas, jóias ou cabelo comprido podem ser apanhados nas peças em movimento.
- **Se forem fornecidos dispositivos para a ligação de equipamentos de extração e de recolha de poeiras, assegure-se de que estes estão ligados e são utilizados corretamente.** A utilização da recolha de poeiras pode reduzir os riscos relacionados com poeiras.
- **Siga sempre os princípios de segurança dos produtos, mesmo que já esteja familiarizado com os mesmos devido a utilização frequente.** Uma ação descuidada pode provocar ferimentos graves numa fração de segundo.
- **Mantenha as ferramentas de corte afiadas e limpas.** Ferramentas de corte com as zonas de corte afiadas e bem mantidas têm menos probabilidades de bloquear e são mais fáceis de controlar.
- **Use o produto, acessórios e brocas, etc. de acordo com estas instruções, tomando em consideração as condições de funcionamento e o trabalho a ser executado.** A utilização do produto para operações diferentes das previstas pode resultar numa situação perigosa.
- **Mantenha os punhos e as superfícies onde se segura secos, limpos e sem óleo nem massa lubrificante.** As superfícies onde se segura e os punhos escorregadios não permitem um controlo e um manuseamento seguros do produto em situações inesperadas.

Utilização e manutenção da bateria

- **Recarregue a bateria apenas com o carregador especificado pelo fabricante.** Um carregador adequado para um tipo de bateria pode criar risco de incêndio quando usado com outra bateria.
- **Utilize produtos apenas com as baterias especificamente concebidas para os mesmos.** A utilização de quaisquer outras baterias pode criar risco de ferimentos e incêndio.
- **Quando a bateria não está a ser utilizada, mantenha-a afastada de outros objetos metálicos, como clips, moedas, chaves, pregos, parafusos ou outros objetos metálicos pequenos que possam fazer a ligação entre os dois terminais.** Provocar curto-circuitos nos terminais das baterias pode provocar queimaduras ou um incêndio.
- **Em condições extremas, é possível que o líquido da bateria varta; evite o contacto.** Se ocorrer algum contacto acidental, lave com água. Se o líquido entrar em contacto com os olhos, procure assistência médica adicional. O líquido vertido da bateria pode provocar irritações ou queimaduras.
- **Não utilize uma bateria ou uma ferramenta que se encontre danificada ou modificada.** As baterias danificadas ou modificadas podem apresentar um comportamento imprevisível que pode resultar em incêndios, explosões ou ferimentos graves.
- **Não exponha uma bateria ou uma ferramenta a fogo ou temperaturas excessivas.** A exposição a incêndios ou a temperaturas acima de 130 °C/265 °F pode provocar uma explosão.
- **Siga todas as instruções de carregamento e não carregue a bateria ou a ferramenta fora do intervalo de temperatura especificado nas instruções.** Os carregamentos impróprios ou a temperaturas fora do intervalo especificado podem danificar a bateria e aumentar o risco de incêndio.

Assistência

- **Garanta que a manutenção do seu produto é efetuada por um técnico de reparações qualificado e que utilize apenas peças de substituição idênticas.**

Utilização e tratamento do produto

- **Não force o produto.** Utilize o produto adequado para a sua aplicação. O produto adequado proporcionará melhores resultados e permitirá uma utilização em segurança para os fins a que se destina.
- **Não utilize o produto se o interruptor não ligar ou desligar.** Qualquer produto que não possa ser controlado com o interruptor é perigoso e tem de ser reparado.
- **Desligue a ficha da fonte de alimentação elétrica e/ou retire a bateria, se amovível, do produto antes de efetuar quaisquer ajustes, mudar acessórios ou guardar os produtos.** Estas medidas de prevenção reduzem o risco de ligar o produto acidentalmente.
- **Guarde os produtos que não estão a ser utilizados fora do alcance das crianças e não permita que qualquer pessoa não familiarizada com o produto ou com estas instruções utilize o produto.** Os produtos são perigosos nas mãos de utilizadores inexperientes.
- **Efetue a manutenção dos produtos e dos acessórios.** Verifique a existência de bloqueios ou de falhas no alinhamento das peças móveis, danos nas peças e qualquer outra condição que possa afetar o funcionamento do produto. Se estiver danificado, repare o produto antes de o utilizar. Muitos acidentes são causados por produtos com uma manutenção inadequada.

Desta forma, garante a manutenção da segurança do produto.

- **Nunca deve efetuar a manutenção de baterias danificadas.** A manutenção das baterias deve ser efetuada apenas pelo fabricante ou por prestadores de serviços autorizados.

Avisos de segurança do corta-relva

- **Não utilize o corta-relva em más condições climáticas, principalmente quando existir risco de ocorrência de relâmpagos.** Isto diminui o risco de ser atingido por relâmpagos.
- **Inspeccione cuidadosamente a área quanto à existência de vida selvagem no local onde o corta-relva será utilizado.** A vida selvagem pode ser ferida pelo corta-relva durante o funcionamento.
- **Inspeccione minuciosamente a área onde o corta-relva será utilizado e retire todas as pedras, paus, fios, ossos e outros objetos estranhos.** Os objetos projetados podem causar ferimentos pessoais.
- **Antes de utilizar o corta-relva, verifique sempre visualmente se a lâmina e o conjunto da lâmina apresentam sinais de desgaste ou danos.** As peças gastas ou danificadas aumentam o risco de ferimentos.
- **Verifique frequentemente o desgaste ou a deterioração do coletor de relva.** Um coletor de relva gasto ou danificado pode aumentar o risco de ferimentos pessoais.
- **Mantenha as proteções no devido lugar. As proteções devem estar em bom estado de funcionamento e corretamente montadas.** Uma proteção solta, danificada ou a funcionar incorretamente pode resultar em ferimentos pessoais.
- **Mantenha todas as entradas de ar de refrigeração livres de detritos.** Entradas de ar obstruídas e detritos podem resultar em sobreaquecimento ou risco de incêndio.
- **Durante o funcionamento do corta-relva, utilize sempre calçado antiderrapante e de proteção. Não utilize o corta-relva se estiver descalço ou com sandálias abertas.** Isto reduz a possibilidade de ferimentos nos pés devido ao contacto com a lâmina em movimento.
- **Durante a utilização do corta-relva, utilize sempre calças compridas.** A pele exposta aumenta a probabilidade de ferimentos causados por objetos projetados.
- **Não utilize o corta-relva em relva molhada.** Caminhe, nunca corra. Isto reduz o risco de escorregamento e queda, que pode resultar em ferimentos pessoais.
- **Não utilize o corta-relva em declives excessivamente íngremes.** Isto reduz o risco de perda de controlo, escorregamento e queda, que pode resultar em ferimentos pessoais.
- **Ao trabalhar em declives, certifique-se sempre da colocação dos pés, trabalhe sempre ao longo da**

face dos declives, nunca para cima ou para baixo, e tenha muito cuidado ao mudar de direção. Isto reduz o risco de perda de controlo, escorregamento e queda, que pode resultar em ferimentos pessoais.

- **Tenha muito cuidado ao fazer marcha-atrás ou ao puxar o corta-relva para si. Preste atenção ao que o rodeia.** Isto reduz o risco de tropeçar durante o funcionamento.
- **Não toque nas lâminas nem noutras peças móveis perigosas enquanto estas ainda estiverem em movimento.** Isto reduz o risco de ferimentos provocados por peças móveis.
- **Quando estiver a retirar material encastrado ou a limpar o corta-relva, certifique-se de que todos os interruptores estão desligados, bem como o cabo de alimentação.** O funcionamento inesperado do corta-relva pode resultar em ferimentos pessoais graves.

Dispositivo diferencial residual

- Utilize um dispositivo diferencial residual com uma corrente de disparo máxima de 30 mA.

Instruções de segurança gerais



ATENÇÃO: Leia as instruções de aviso que se seguem antes de utilizar o produto.

- Este produto é perigoso se for utilizado de forma incorreta ou se não o utilizador for cuidadoso. Podem ocorrer ferimentos graves ou mesmo morte se as instruções de segurança não forem respeitadas.
- Este produto produz um campo eletromagnético durante o funcionamento. Em determinadas circunstâncias, este campo pode interferir com o funcionamento de implantes médicos ativos ou passivos. Para diminuir o risco de ferimentos graves ou mortais, recomendamos que os portadores de implantes médicos consultem o seu médico e o fabricante do implante antes de utilizar este produto.
- Seja sempre cuidadoso e use o seu senso comum. Se não tiver a certeza sobre como utilizar o produto numa situação especial, pare e fale com o seu revendedor Husqvarna antes de continuar.
- Tenha em atenção que o utilizador é responsável pelos acidentes que incluam outras pessoas ou a respetiva propriedade.
- Mantenha o produto limpo. Certifique-se de que pode ler claramente os sinais e os autocolantes.
- Não permita a utilização do equipamento por crianças ou pessoas não familiarizadas com estas instruções. As normas locais podem restringir a idade do operador.
- Monitоре sempre a utilização do produto por pessoas com diminuição da capacidade física ou mental. Tem de estar sempre presente um adulto responsável.
- Não utilize o produto se estiver cansado, doente ou sob a influência de álcool, drogas ou medicamentos.

Estes têm um efeito negativo na sua visão, atenção, capacidade de discernimento ou controlo físico.

- Não utilize o produto se este apresentar algum defeito.
- Não altere este produto e não o utilize se houver a possibilidade de ter sido alterado por outros.

Segurança do trabalho



ATENÇÃO: Leia as instruções de aviso que se seguem antes de utilizar o produto.

- Utilize este produto apenas para cortar relva. Não é permitido utilizá-lo para outras tarefas.
- Use equipamento de proteção pessoal. Consulte Equipamento de proteção pessoal na página 301.
- Certifique-se de que sabe como desligar o motor rapidamente em caso de emergência.
- Não utilize o produto em condições de chuva ou de humidade. O risco de choque elétrico aumenta se entrar água no produto.
- Não utilize o produto, a menos que a lâmina e todas as coberturas estejam corretamente montadas. Uma lâmina montada incorretamente pode soltar-se e causar ferimentos pessoais.
- Certifique-se de que a lâmina não atinge objetos como pedras e raízes. Isto pode causar danos à lâmina e dobrar o eixo do motor. Um eixo dobrado provoca fortes vibrações e um elevado risco de a lâmina se soltar.
- Se a lâmina atingir um objeto ou ocorrerem vibrações, pare o produto imediatamente. Desligue o motor, rode a chave de segurança para a posição 0 e retire a bateria. Aguarde até que as peças móveis parem. Examine se o produto apresenta sinais de danos. Aperte peças soltas. Repare os danos e substitua as peças danificadas. Solicite a realização da reparação numa oficina autorizada.
- Nunca ligue o manípulo de travão do motor de modo permanente ao punho durante o arranque do motor.
- Coloque o produto numa superfície estável e plana e ligue-o. Certifique-se de que a lâmina não atinge o solo ou outros objetos.
- Mantenha-se sempre por trás do produto quando o operar.
- Mantenha todas as rodas no chão e as duas mãos sobre o punho quando utilizar o produto. Mantenha as mãos e os pés afastados das lâminas rotativas.
- Não incline o produto quando ligar o motor ou durante o funcionamento do produto.
- Tenha cuidado quando puxar o produto para trás.
- Nunca levante o produto quando ligar o motor. Se tiver de levantar o produto, desligue primeiro o motor, rode a chave de segurança para a posição 0 e retire a bateria.
- Não caminhe para trás quando operar o produto.
- Pare o motor quando for necessário inclinar o produto para transporte ou antes de se deslocar

em áreas sem relva, por exemplo, caminhos em grama, pedra e asfalto.

- Não corra com o produto quando o motor está ligado. Caminhe sempre que operar o produto.
- Pare o motor antes de mudar a altura de corte. Nunca efetue ajustes com o motor ligado.
- Nunca deixe o produto fora de vista com o motor ligado. Pare o motor e certifique-se de que o equipamento de corte não roda.
- As vibrações no produto durante o funcionamento podem ser diferentes do valor de vibração declarado em Especificações técnicas na página 311. A diferença é causada por variações na forma como o produto é utilizado. Se utilizar o produto com frequência ou durante longos períodos de tempo, faça pausas regularmente para evitar ferimentos provocados por vibrações.

Instruções de segurança para funcionamento

Equipamento de proteção pessoal



ATENÇÃO: Leia as instruções de aviso que se seguem antes de utilizar o produto.

- O equipamento de proteção pessoal não previne totalmente os ferimentos mas diminui a respetiva gravidade em caso de acidente. Obtenha ajuda junto do seu concessionário para selecionar o equipamento certo.
- Use botas ou sapatos antiderrapantes resistentes. Não use calçado aberto nem ande com os pés descalços.
- Use calças compridas e resistentes.
- Use luvas de proteção sempre que necessário, por exemplo, ao fixar, examinar ou limpar o equipamento de corte.
- Recomendamos a utilização de protetores acústicos.

Dispositivos de segurança no produto



ATENÇÃO: Leia as instruções de aviso que se seguem antes de utilizar o produto.

- Não utilize o produto com dispositivos de segurança defeituosos.
- Não remova os dispositivos de segurança, nem os modifique.
- Verifique regularmente os dispositivos de segurança. Se os dispositivos de segurança estiverem defeituosos, fale com a sua oficina Husqvarna autorizada.

Verificar a cobertura de corte

A cobertura de corte reduz as vibrações no produto e o risco de ferimentos causados pela lâmina.

- Examine a cobertura de corte para se certificar de que não existem danos, como fissuras.

Verificar a chave de segurança

A chave de segurança encontra-se por baixo da tampa da bateria. A chave de segurança liga a bateria que alimenta o motor.

- Ligue e desligue o motor para verificar o funcionamento da chave de segurança.
- Se a chave de segurança funcionar corretamente, o motor pode arrancar apenas quando a chave de segurança se encontra na posição 1. (Fig. 15)

Verificar o punho do travão do motor

O manípulo de travão do motor para o motor. Quando soltar o manípulo de travão do motor, o motor para.

- Ligue o produto. Consulte Arrancar o produto na página 305.
- Solte o manípulo de travão do motor. (Fig. 16)
- Certifique-se de que o produto para. Se o motor não parar em 3 segundos, solicite o ajuste do travão do motor numa oficina Husqvarna autorizada.

Verificar o inibidor de arranque

Verifique o inibidor de arranque para se certificar de que este impede o funcionamento do motor.

1. Empurre o manípulo de travão do motor no sentido da barra de direção. O inibidor de arranque para o movimento.
2. Empurre o inibidor de arranque para fora. (Fig. 17)
3. Solte o inibidor de arranque e certifique-se de que este volta à respetiva posição inicial.

Segurança da bateria



ATENÇÃO: Leia as instruções de aviso que se seguem antes de utilizar o produto.

- Utilize baterias recarregáveis Husqvarna como fonte de alimentação apenas para produtos Husqvarna relacionados. Para evitar ferimentos, não utilize a bateria como fonte de alimentação para outros produtos.
- Não utilize baterias não recarregáveis.
- Risco de choque elétrico. Não ligue os terminais da bateria a chaves, moedas, parafusos ou outros metais. Caso contrário, pode provocar um curto-circuito da bateria.
- Não coloque objetos nas aberturas de ventilação da bateria.
- Mantenha a bateria afastada do sol, calor ou de chamas abertas. A bateria pode explodir e causar queimaduras e/ou queimaduras químicas.
- Mantenha a bateria afastada de chuva e condições de humidade.

- Mantenha a bateria afastada de micro-ondas e alta pressão.
- Não tente desmontar ou partir a bateria.
- Em caso de fuga da bateria, evite o contacto do líquido com a pele ou com os olhos. Em caso de contacto com o líquido, limpe a área com água abundante e procure assistência médica.
- Utilize a bateria do produto apenas quando a temperatura ambiente se encontrar entre os 5 °C e os 40 °C.
- Utilize o carregador de bateria apenas quando a temperatura ambiente se encontrar entre os 5 °C e os 40 °C.
- A bateria não carrega se a respetiva temperatura for superior a 50 °C.
- Não limpe a bateria ou o carregador com água. Consulte Limpar a bateria e o carregador de bateria na página 307.
- Não utilize uma bateria danificada ou com defeito.
- Mantenha as baterias armazenadas afastadas de objetos metálicos como, por exemplo, pregos, moedas, joias.

Segurança do carregador de bateria



ATENÇÃO: Leia as instruções de aviso que se seguem antes de utilizar o produto.

- Utilize carregadores de bateria QC para carregar apenas baterias de substituição Husqvarna.
- Risco de choque elétrico ou curto-circuito. Não coloque objetos nas aberturas de ventilação do carregador. Não tente desmontar o carregador da bateria. Não ligue os terminais do carregador a objetos metálicos. Utilize uma tomada elétrica aprovada.
- Este produto produz um campo eletromagnético durante o funcionamento. Em determinadas circunstâncias, este campo pode interferir com o funcionamento de implantes médicos ativos ou passivos. Para diminuir o risco de condições que podem causar ferimentos ou morte, recomendamos que os portadores de implantes médicos consultem o seu médico e o fabricante do implante antes de utilizar este produto.
- Certifique-se regularmente de que o cabo de alimentação do carregador da bateria não está danificado nem apresenta fissuras.
- Não utilize o cabo de alimentação para levantar o carregador da bateria. Para desligar o carregador da bateria de uma tomada elétrica, puxe a ficha. Não puxe o cabo de alimentação.
- Mantenha o cabo de alimentação e os cabos de extensão afastados de água, de óleo e de arestas afiadas. Certifique-se de que o cabo não fica entalado em portas, cercas ou equivalente. Isto pode fazer com que o carregador fique sob tensão.
- Não limpe o carregador da bateria com água.

- O carregador da bateria pode ser utilizado por crianças a partir dos 8 anos de idade e por pessoas com capacidades físicas, sensoriais ou mentais reduzidas, ou falta de experiência e conhecimentos, desde que as mesmas se encontrem sob supervisão ou tenham recebido instruções acerca da utilização segura do carregador da bateria e compreendam os perigos envolvidos. As crianças não devem brincar com o carregador da bateria. As tarefas de limpeza e manutenção a cargo do utilizador não devem ser efetuadas por crianças sem a devida supervisão.
- Não carregue baterias não recarregáveis no carregador da bateria.
- Não utilize o carregador da bateria próximo de materiais inflamáveis ou materiais que possam provocar corrosão. Não cubra o carregador da bateria. Em caso de fumo ou fogo, desligue o carregador da bateria da tomada.
- Não utilize um carregador da bateria que esteja com defeito ou danificado.
- Carregue a bateria apenas em espaços interiores com boa ventilação e sem exposição à luz solar. Não carregue a bateria em condições de humidade.
- Efetue apenas os trabalhos de manutenção indicados neste manual do operador. As intervenções maiores e as reparações profissionais têm de ser efetuadas por uma oficina autorizada. Para mais informações, contacte a sua oficina autorizada.
- Efetue os trabalhos de manutenção corretamente para aumentar a vida útil do produto e reduzir o risco de acidentes.
- Substitua as peças danificadas, gastas ou partidas. Utilize peças sobresselentes originais do fabricante. Outras peças sobresselentes podem causar danos no produto e aumentar o risco de acidentes.
- Para evitar a ocorrência de ferimentos, não remova os dispositivos de segurança, nem os modifique.
- Calce luvas resistentes quando utilizar o equipamento de corte. A lâmina é muito afiada e pode facilmente provocar cortes.
- Mantenha as extremidades cortantes afiadas e limpas para garantir um desempenho melhor e mais seguro.
- Solicite à sua oficina autorizada a inspeção regular do produto e a realização dos ajustes e reparações necessários.
- Cumpra as instruções relativas à substituição dos acessórios. Utilize apenas os acessórios do fabricante.
- Quando não estiverem em funcionamento, mantenha o produto, a bateria e carregador da bateria afastados num local seco, interior e fechado à chave. Certifique-se de que as crianças e as pessoas não autorizadas não conseguem ter acesso ao produto, à bateria ou ao carregador da bateria.

Instruções de segurança para manutenção



ATENÇÃO: Leia as instruções de aviso que se seguem antes de utilizar o produto.

- Para evitar um arranque acidental durante a manutenção, rode a chave de segurança para a posição 0 e retire a bateria. Aguarde pelo menos 5 segundos antes de começar a manutenção.

Montagem

Introdução



ATENÇÃO: Antes de montar o produto, leia o capítulo sobre segurança.



ATENÇÃO: Para evitar um arranque acidental durante a montagem, rode a chave de segurança para a posição 0, retire a bateria e aguarde pelo menos 5 segundos.

2. Aperte os botões do punho. (Fig. 18)
3. Puxe o punho para trás até atingir a posição final.
4. Dobre o manípulo de ajuste da altura e coloque-o na ranhura. (Fig. 19)
5. Pressione o manípulo de ajuste da altura para baixo com o pé. (Fig. 20)

Ajustar a altura do punho

1. Pressione o manípulo de ajuste da altura com o pé.
2. Coloque a barra de direção na devida posição e solte-a. (Fig. 21)

Montar o punho

1. Dobre o punho superior para a frente.

Funcionamento

Introdução



ATENÇÃO: Antes de utilizar o produto, tem ler e compreender o capítulo sobre segurança.



CUIDADO: Não regule a altura de corte demasiado baixa. As lâminas podem entrar em contacto com o solo se a superfície do relvado não estiver nivelada.

Husqvarna Connect

A Husqvarna Connect é uma aplicação gratuita para o seu dispositivo móvel. A aplicação Husqvarna Connect disponibiliza funções alargadas para o seu produto Husqvarna:

- Informações alargadas sobre o produto.
- Informações sobre, e ajuda relacionada com peças e manutenção do produto.

Começar a utilizar Husqvarna Connect

1. Transfira a aplicação Husqvarna Connect para o seu dispositivo móvel.
2. Registe-se na aplicação Husqvarna Connect.
3. Siga os passos das instruções na aplicação Husqvarna Connect para ligar e registar o produto.

Colocar o produto na posição de funcionamento

1. Monte o punho. Consulte Montar o punho na página 303.
2. Ajuste a altura do punho. Consulte Ajustar a altura do punho na página 303.



CUIDADO: Certifique-se de que não existe demasiada tensão nos cabos. Uma tensão demasiado elevada pode provocar danos no cabo se a barra estiver dobrada na posição de transporte.



ATENÇÃO: Não utilize o produto a não ser que o punho esteja totalmente dobrado para cima e colocado numa das posições de altura aplicáveis. Consulte Ajustar a altura do punho na página 303.

Definir a altura de corte

A altura de corte pode ser ajustada para 6 alturas diferentes.

1. Desligue o motor.
2. Mova a alavanca da altura de corte para trás para aumentar a altura de corte. (Fig. 22)
3. Mova a alavanca da altura de corte para a frente para diminuir a altura de corte.

Bateria



ATENÇÃO: Antes de utilizar a bateria, tem de ler e compreender o capítulo sobre segurança. Também tem de ler e compreender o manual do operador da bateria e do carregador da bateria.

Mantenha a bateria e o respetivo carregador de bateria a temperaturas ambiente corretas.

	Temperatura ambiente
Utilização da bateria	5 °C - 40 °C
Carregamento da bateria	5 °C - 40 °C

Estado da bateria

O visor indica a capacidade restante da bateria e a existência de quaisquer problemas com a mesma. A capacidade da bateria é apresentada durante 5 segundos depois de desligar o produto ou se pressionar o botão indicador da bateria. O símbolo de aviso na bateria acende-se quando ocorre um erro. Consulte Bateria na página 308.

(Fig. 23)

Luzes LED	Estado da bateria
Todos os LED acesos	Carga completa (75% - 100%)
LED 1, LED 2 e LED 3 acesos	A bateria tem uma carga de 50%-75%
LED 1 e LED 2 acesos	A bateria tem uma carga de 25%-50%
LED 1 aceso	A bateria tem uma carga de 0%-25%.
LED 1 intermitente	A bateria está descarregada. Carregue a bateria.

Carregar a bateria

Carregue a bateria antes da primeira utilização. A bateria tem apenas 30% de carga quando é entregue ao cliente.

Nota: O carregador da bateria tem de ser ligado à tensão e à frequência especificadas na etiqueta de tipo.

A bateria não carrega se a sua temperatura for superior a 50 °C. O carregador da bateria diminui a temperatura da bateria antes de começar a carregar.

1. Ligue uma extremidade do cabo de alimentação do carregador da bateria à tomada do carregador da bateria.
2. Ligue a outra extremidade do cabo de alimentação do carregador da bateria a uma tomada elétrica com ligação à terra. O LED do carregador da bateria pisca a verde uma vez. (Fig. 24)
3. Coloque a bateria no carregador da bateria. A luz verde do carregador acende-se se a bateria estiver corretamente ligada ao carregador da bateria. (Fig. 25)
4. A bateria está totalmente carregada quando todos os LED se acenderem. Carregue a bateria no máximo durante 24 horas.
5. Para desligar o carregador da bateria da tomada, retire a ficha e não o cabo de alimentação.
6. Retire a bateria do carregador da bateria.

Estado de carregamento da bateria

Uma bateria de íões de lítio Husqvarna pode ser carregada ou utilizada em todos os níveis de carga. A bateria não fica danificada. Uma bateria completamente carregada não perde a sua carga mesmo que a bateria seja deixada no carregador.

Visor LED	Estado de carga
LED 1 intermitente	0%-25%
LED 1 aceso, LED 2 intermitente	25%-50%
LED 1 e LED 2 acesos, LED 3 intermitente	50%-75%
LED 1, LED 2 e LED 3 acesos, LED 4 intermitente	75%-100%
LED 1, LED 2, LED 3 e LED 4 acesos	Totalmente carregada

Arrancar o produto

1. Abra a tampa da bateria.
2. Coloque uma bateria carregada no respetivo suporte.
3. Rode a chave de segurança para a posição 1. (Fig. 26)
4. Mantenha-se atrás do produto.
5. Desaperte o inibidor de arranque. (Fig. 17)

6. Empurre o punho do travão do motor no sentido da barra de direção. (Fig. 27)

Utilizar a função SaveE™

O produto inclui uma função de poupança da bateria (SaveE™), que permite uma utilização mais prolongada.

- Coloque o botão SaveE™ na posição 1 para iniciar a função. (Fig. 28)
- Coloque o botão SaveE™ na posição 0 para parar a função.

Nota: A função SaveE™ é desativada automaticamente se as condições do solo exigirem uma maior potência. A função SaveE™ volta a ativar-se automaticamente quando as condições do solo assim o permitirem.

Função de carga elevada

Quando o produto estiver a cortar relva alta ou molhada, o motor aumenta automaticamente as rpm. O motor regressa ao modo padrão quando não houver carga elevada.

Paragem do motor

Durante o funcionamento, a lâmina e o motor podem parar temporariamente devido a obstáculos, tais como obstruções de relva por baixo da cobertura de corte. Se isto ocorrer e mantiver o punho do travão do motor pressionado, o produto reinicia-se automaticamente. Se o produto não reiniciar em 5 a 10 segundos, pode ser necessário limpar a parte inferior da cobertura de corte. Consulte Limpar o produto na página 307.



ATENÇÃO: Se o motor parar, o produto tenta reiniciar automaticamente durante 5 a 10 segundos. Aguarde, no mínimo, 15 segundos antes de verificar a cobertura de corte.



ATENÇÃO: Antes de verificar a cobertura de corte, solte o punho do travão do motor, rode a chave de segurança para a posição 0, remova a bateria e aguarde, no mínimo, 5 segundos. Existe o risco de ferimentos se o obstáculo for removido e o produto arrancar acidentalmente.

Desligar o produto



ATENÇÃO: Rode a chave de segurança para a posição 0 antes de deixar o produto fora de vista.

1. Solte o manípulo de travão do motor para parar o motor. (Fig. 29)

2. Abra a tampa da bateria e rode a chave de segurança para a posição 0. (Fig. 30)
3. Para retirar a bateria, prima os 2 botões de desengate e retire a bateria. (Fig. 31)
4. Carregue a bateria se estiver fraca. Para mais informações, consulte Carregar a bateria na página 304.

Para obter bons resultados

- Utilize sempre uma lâmina bem afiada. Uma lâmina romba produz um resultado irregular e a superfície de corte da relva fica amarela. Uma lâmina afiada também gasta menos energia que uma lâmina romba.

- Não corte mais do que $\frac{1}{3}$ do comprimento da relva. Corte primeiro com a altura de corte alta. Examine o resultado e reduza a altura de corte para um nível aplicável. Caso a relva esteja muito comprida, avance lentamente e corte duas vezes, se necessário.
- Corte em diferentes direções de cada vez, para evitar a formação de linhas no relvado.
- Mantenha a cobertura de corte limpa. A acumulação de relva e sujidade no lado interior da cobertura de corte pode diminuir o resultado de corte. Consulte Limpar o produto na página 307.

Manutenção

Introdução



ATENÇÃO: Antes de efetuar a manutenção, tem de ler e compreender o capítulo sobre segurança.

É necessário ter formação especial para realizar qualquer tarefa de manutenção ou reparação. Garantimos a disponibilidade de reparações e manutenção profissionais. Se o seu distribuidor não for uma oficina autorizada, pergunte-lhe onde se situa a oficina autorizada mais próxima.

Para obter informações mais detalhadas, consulte www.husqvarna.com.

Esquema de manutenção

Os intervalos de manutenção são calculados a partir da utilização diária do produto. Os intervalos são alterados se o produto não for utilizado diariamente.

Para manutenção identificada com *, consulte as instruções em Segurança na página 298.

	A cada utilização	Mensalmente	A cada estação
Proceda a uma inspeção geral.	X		
Limpe o produto.	X		
Limpe a área à volta do manípulo de ajuste da altura.	X		
Verifique o inibidor de arranque. *	X		
Certifique-se de que os dispositivos de segurança do produto não estão danificados. *	X		
Examine o equipamento de corte.	X		
Examine a cobertura de corte. *	X		
Verifique o punho do travão do motor. *	X		
Examine se a bateria apresenta sinais de danos.	X		
Verifique a carga da bateria.	X		
Certifique-se de que os botões de desengate da bateria funcionam corretamente e que a bateria encaixa no produto.	X		
Verifique a existência de danos no carregador de bateria e certifique-se de este que funciona corretamente.		X	
Verifique as ligações entre a bateria e o produto. Verifique também a ligação entre a bateria e o carregador de bateria.			X

Para efetuar uma inspeção geral

- Certifique-se de que as porcas e os parafusos do produto estão apertados.
- Certifique-se de que os cabos no produto não estão numa posição suscetível a danos.

Limpar o produto

- Limpe os componentes plásticos com um pano seco e limpo.
- Não utilize água para limpar o produto. A água pode entrar na bateria ou no motor, provocando um curto-circuito ou danos no produto.
- Não utilize uma máquina de lavar à pressão para limpar o produto.
- Não verta água diretamente no motor.
- Utilize uma escova para remover folhas, relva e sujidade.

Limpar a bateria e o carregador de bateria



ATENÇÃO: Não limpe a bateria nem o carregador de bateria com água.



ATENÇÃO: Não utilize substâncias químicas para limpar a bateria.

- Certifique-se de que a bateria e o carregador de bateria estão limpos e secos antes de colocar a bateria no carregador de bateria.
- Limpe os terminais da bateria com ar comprimido ou com um pano macio e seco.
- Limpe as superfícies da bateria e o carregador de bateria com um pano macio e seco.

Limpar a área à volta do manípulo de ajuste da altura

- Utilize uma escova para remover folhas, relva e sujidade.
(Fig. 32)

Para examinar o equipamento de corte



ATENÇÃO: Para evitar um arranque acidental, rode a chave de segurança para a posição 0, retire a bateria e aguarde pelo menos 5 segundos.



ATENÇÃO: Use luvas de proteção quando realizar a manutenção do equipamento de corte. A lâmina é muito afiada e pode facilmente provocar cortes.

1. Examine se o equipamento de corte está danificado ou se apresenta fissuras. Substitua sempre um equipamento de corte danificado.
2. Olhe para a lâmina para verificar se está danificada ou romba.

Nota: É necessário estabilizar a lâmina depois de ser afiada. Afie, substitua e estabilize a lâmina numa oficina especializada. Se atingir um obstáculo que faça o produto parar, substitua a lâmina danificada. Um centro de assistência deve avaliar se a lâmina pode ser afiada ou se tem de ser substituída.

Substituir a lâmina

Consulte Especificações técnicas na página 311 para saber qual o tipo de lâmina correto.



ATENÇÃO: Bloqueie a lâmina com um bloco de madeira para evitar ferimentos nos dedos quando substituir a lâmina. A lâmina pode ser deslocada quando o motor está

desligado e os dedos podem ficar presos entre a lâmina e as peças fixas.

1. Bloqueie a lâmina com um bloco de madeira. (Fig. 33)
2. Remova o parafuso da lâmina, a anilha de pressão e a lâmina. (Fig. 34)
3. Examine o suporte e o parafuso da lâmina para verificar se existem danos.
4. Examine o eixo do motor para se certificar de que não se encontra dobrado.
5. Quando colocar a lâmina nova, aponte as extremidades angulares da lâmina na direção da cobertura de corte. (Fig. 35)
6. Certifique-se de que a lâmina está alinhada com a parte central do eixo do motor.
7. Bloqueie a lâmina com um bloco de madeira. Prenda a anilha de pressão e aperte o parafuso e a anilha com um binário de 23–28 Nm. (Fig. 36) (Fig. 34)
8. Faça rodar a lâmina com a mão de modo a assegurar-se de que roda livremente.



ATENÇÃO: Use luvas resistentes. A lâmina é muito afiada e pode facilmente provocar cortes.

9. Ligue o produto para testar a lâmina. Se a lâmina não estiver corretamente ligada, o produto vibra ou o resultado de corte não é satisfatório.

Resolução de problemas

Bateria

LED na bateria	Causa	Solução
LED verde intermitente.	A tensão da bateria é baixa.	Carregue a bateria. Consulte Carregar a bateria na página 304.
LED de erro intermitente.	A bateria está fraca.	Carregue a bateria. Consulte Carregar a bateria na página 304.
	A temperatura no ambiente de trabalho é demasiado elevada ou demasiado baixa.	Utilize a bateria a temperaturas entre 5 °C e 40 °C.
	Sobretensão.	Certifique-se de que tensão da rede elétrica corresponde à indicada na etiqueta de tipo no produto. Retire a bateria do carregador da bateria. Aguarde 5 segundos e tente carregar a bateria novamente. Se o problema persistir, contacte uma oficina autorizada.

LED na bateria	Causa	Solução
LED de erro aceso.	A diferença entre as células é demasiado elevada (1 V).	Contacte uma oficina autorizada.

Carregador da bateria

LED no carregador da bateria	Causa	Solução
LED de erro intermitente.	A temperatura no ambiente de trabalho é demasiado elevada ou demasiado baixa.	Utilize o carregador de bateria em ambientes com temperaturas entre 5 °C e 40 °C.
LED de erro aceso.		Contacte uma oficina autorizada.

Corta-relva

O indicador de aviso (LED de erro) encontra-se por baixo da tampa da bateria.

Problema	LED de erro (número de intermitências)	Causa	Solução
LED de erro intermitente. O produto não funciona corretamente.	5	A lâmina está bloqueada.	Rode a chave de segurança para a posição 0 para evitar um arranque acidental. Retire a bateria e aguarde, no mínimo, 5 segundos. Retire possíveis obstáculos e certifique-se de que a lâmina consegue rodar livremente. Se o problema persistir, contacte uma oficina autorizada.
		A rotação do motor desce demasiado e o motor para.	Aumente a altura de corte. Consulte Definir a altura de corte na página 304.
	10	O controlo do motor está demasiado quente.	Desligue o motor e aguarde até arrefecer.
LED de erro intermitente. O produto para.	0	Avaria do conector da bateria.	Examine o conector da bateria.
	3	Existe uma sobrecarga no motor.	Aumente a altura de corte. Consulte Definir a altura de corte na página 304.
	8	A bateria está fraca.	Carregue a bateria. Consulte Carregar a bateria na página 304.
	9	Bateria com erro ou sem sinal.	Coloque a bateria no produto corretamente e examine o conector da bateria. Se o LED de erro da bateria ficar intermitente. Consulte Estado da bateria na página 304.
	12	Procedimento de arranque incorreto. O punho do travão do motor foi engatado antes de o motor arrancar.	Solte o punho do travão do motor e aguarde cerca de 5 segundos. Empurre novamente o punho do travão do motor para baixo para ligar o produto.

Problema	LED de erro (número de intermitências)	Causa	Solução
Outros erros.	Se ocorrerem outros erros, rode a chave de segurança para a posição 0, retire a bateria e contacte uma oficina autorizada.		

Transporte, armazenamento e eliminação

Introdução



ATENÇÃO: Para evitar um arranque acidental durante o transporte e armazenamento, rode a chave de segurança para a posição 0, remova a bateria e guarde, pelo menos, 5 segundos.

Colocar o produto na posição de transporte

1. Empurre o manípulo de ajuste da altura com o pé. (Fig. 37)
2. Puxe o punho para cima e retire o manípulo de ajuste da altura da ranhura.
3. Dobre o manípulo para a frente até atingir a posição final. (Fig. 38)
4. Dobre o manípulo de ajuste da altura em direção à cobertura de corte. (Fig. 39)
5. Solte os botões do punho. (Fig. 40)
6. Dobre o punho superior para trás. (Fig. 41)

Transporte

- Os requisitos da legislação sobre mercadorias perigosas aplicam-se às baterias de íões de lítio incluídas.
- Para um transporte comercial, é necessário cumprir os requisitos especiais na embalagem e nas etiquetas.
- Quando preparar o produto para transporte, certifique-se de que cumpre os regulamentos sobre mercadorias perigosas. Podem aplicar-se normas locais.
- Retire sempre a bateria para transporte.
- Coloque fita adesiva nos conectores da bateria e certifique-se de que a bateria não pode mover-se durante o transporte.
- Prenda o produto durante o transporte.

Armazenamento

- Antes do armazenamento, deixe o produto arrefecer.
- Retire sempre a bateria durante o armazenamento.

- Para evitar acidentes, certifique-se de que a bateria não está ligada ao produto durante o armazenamento.
- Armazene o carregador da bateria apenas em espaços interiores secos.
- Armazene a bateria e o carregador da bateria num local seco, sem humidade nem gelo.
- Desligue a bateria do carregador da bateria durante o armazenamento.
- Não armazene a bateria num local onde possa haver eletricidade estática. Não armazene a bateria numa caixa metálica.
- Armazene o produto num local onde a temperatura ambiente se encontre entre -10 °C e 40 °C.
- Armazene a bateria num local onde a temperatura ambiente varie entre 5 °C e 25 °C e onde não fique exposta à luz solar.
- Armazene o carregador de bateria num local onde a temperatura ambiente varie entre 5 °C e 45 °C e onde não fique exposto à luz solar.
- Antes de armazenar a bateria durante longos períodos de tempo, certifique-se de que está carregada a 30-50%.
- Mantenha o produto, a bateria e o carregador de bateria num local fechado à chave, fora do alcance de crianças e de pessoas não autorizadas.
- Limpe o produto e certifique-se de que o coletor de relva está vazio.
- Realize os procedimentos de manutenção indicados neste manual do utilizador. Consulte Esquema de manutenção na página 306.
- Antes de armazenar o produto durante longos períodos de tempo, efetue uma manutenção completa do mesmo.

Eliminação

Os símbolos no produto ou na respetiva embalagem indicam que este produto não deve ser tratado como um resíduo doméstico. Tem de ser enviado para uma estação de reciclagem adequada para a recuperação de equipamentos elétricos e eletrónicos.

Ao garantir que este produto é tratado corretamente, pode ajudar a neutralizar o potencial impacto negativo sobre o meio ambiente e as pessoas, que de outra forma pode resultar da gestão incorreta dos resíduos deste produto. Para informações mais detalhadas sobre

a reciclagem deste produto, contacte o seu município, o serviço de recolha de resíduos domésticos ou a loja onde adquiriu o produto.

(Fig. 42)

Especificações técnicas

LB 144i	
Motor de corte	
Tipo de motor	BLDC (sem escova) 36V
Velocidade do motor – SavE, rpm	2600/min
Rotação do motor – nominal, rpm	3200/min
Rotação do motor – carga elevada, rpm	3500/min
Potência do motor – máx. kW	0,9
Potência do motor – nominal, kW	0,75
Motor direto	
Potência do motor – nominal, kW	N/A
Velocidade de autodeslocação, km/h	N/A
Níveis de regulação de velocidade	N/A
Peso	
Peso (sem bateria), kg	15,5
Peso (incl. 1 BLi30), kg	17,5
Bateria	
Tipo de bateria	Gama de equipamentos a bateria da Husqvarna
Tempo de funcionamento da bateria	
Tempo de funcionamento da bateria, mín., (funcionamento livre) com SavE ativado, com uma bateria de 7,5 Ah (BLi30) da Husqvarna.	170
Tempo de funcionamento da bateria, mín., (funcionamento livre) com modo standard ativado, com uma bateria de 7,5 Ah (BLi30) da Husqvarna.	135
Emissões de ruído ⁵⁵	
Nível de potência sonora, medido dB (A)	90
Nível de potência sonora, garantido L _{WA} dB (A)	92
Níveis sonoros ⁵⁶	
Nível de pressão sonora ao nível do ouvido do utilizador, dB (A)	77

⁵⁵ Emissões de ruído para as imediações, medidas sob forma de potência sonora (L_{WA}) em conformidade com a diretiva da CE 2000/14/CE.

⁵⁶ Os dados comunicados relativamente ao nível de pressão sonora têm um fator de incerteza (K) de 1,5 dB(A).

	LB 144i
Níveis de vibração ⁵⁷	
Punho, m/s ²	0,7
Equipamento de corte	
Altura de corte, mm	25-75
Largura de corte, cm	44
Lâmina padrão	Trituração 5298073-10
Acessório da lâmina	N/A

Baterias aprovadas	Tipo	Capacidade da bateria, Ah	Tensão, V	Peso, lb / kg
40-B140	lões de lítio	4,0	36	2,6/1,2
BLi30	lões de lítio	7,5	36	4,2/1,9

Carregadores aprovados para as baterias especificadas, BLi	Tensão de entrada, V	Frequência, Hz	Potência, W
40-C80	100-240	50-60	68,8
QC250	220-240	50	250

⁵⁷ Os dados comunicados relativamente ao nível de vibração têm um fator de incerteza (K) de 1,5 m/s². O valor total de vibração declarado foi medido em conformidade com a norma EN 62841-4-3, Anexo I, e pode ser utilizado para comparar uma máquina com outra e numa avaliação preliminar da exposição.

Declaração de conformidade

Declaração UE de conformidade

A Husqvarna AB, SE - 561 82 Huskvarna, Suécia,
tel.: +46-36-146500, declara, sob sua inteira
responsabilidade, que o produto:

Descrição	Corta-relva
Marca	Husqvarna
Tipo/Modelo	LB 144i
Identificação	Números de série referentes a 2022 e posteriores

está em plena conformidade com as seguintes diretivas
e regulamentos da UE:

Regulamento	Descrição
2006/42/CE	"relativa a máquinas"
2014/30/UE	"relativa à compatibilidade eletromagnética"
2000/14/CE	"relativa a emissões de ruído para o ambiente"
2011/65/UE	"relativa à restrição do uso de determinadas substâncias perigosas em equipamento elétrico e eletrônico"

e que as seguintes normas e/ou especificações
técnicas são aplicadas: EN 62841-1:2015/AC:2015, EN
IEC 62841-4-3:2021/A11:2021, EN ISO 12100:2010,
EN 55014-1:2021, EN 55014-2:2021, EN IEC
61000-6-2:2019, EN IEC 61000-6-3:2021, EN IEC
63000:2018

Entidade competente: 0404, RISE SMP Svensk
Maskinprovning AB, Box 4053, SE-904 03 Umeå,
Sweden atribuiu a certificação de conformidade com
a Diretiva 2000/14/CE do Conselho, procedimento de
avaliação de conformidade: Anexo VI.

Para mais informações sobre as emissões de ruído,
consulte Especificações técnicas na página 311.

Huskvarna, 2022-12-05



Claes Losdal, chefe de desenvolvimento/produtos de
jardinagem, Husqvarna AB

Responsável pela documentação técnica



CUPRINS

Introducere.....	314	Depanarea	324
Siguranță	315	Transportul, depozitarea și eliminarea.....	326
Asamblarea	320	Date tehnice.....	327
Funcționarea.....	320	Declarație de conformitate.	329
Întreținerea.....	322		

Introducere

Descrierea produsului

Acest produs este o mașină rotativă de tuns gazon controlată de un operator-pieton, care utilizează BioClip pentru a tăia iarba și a o transforma în îngrășământ.

Prezentare generală a produsului

(Fig. 1)

1. Mâner
2. Maneta frânei de motor
3. Inhibitor de pornire
4. Mânere de ridicare
5. Cap tăietor
6. Pârghie pentru înălțimea de tăiere
7. Cheie de siguranță
8. Capacul bateriei
9. Manetă de reglare a înălțimii pentru mâner
10. Butonul Save
11. Indicator de avertisment (LED de eroare)
12. Manualul operatorului
13. Încărcător de baterie (accesoriu)
14. Baterie (accesoriu)

Simbolurile de pe produs

(Fig. 2) AVERTISMENT

(Fig. 3) Citiți instrucțiunile.

(Fig. 4) AVERTISMENT – Feriți-vă de obiecte proiectate.

(Fig. 5) Țineți trecătorii la distanță.

(Fig. 6) AVERTISMENT – Feriți-vă mâinile și picioarele de cuțite.

(Fig. 7) AVERTISMENT – Deconectați bateria înaintea lucrărilor de întreținere.

(Fig. 8) Nici produsul și nici ambalajul său nu sunt deșeuri menajere. Reciclați la un centru de reciclare pentru echipamente electrice și electronice.

Domeniul de utilizare

Utilizați produsul pentru a tăia iarba. Nu utilizați produsul pentru alte sarcini.

(Fig. 9) Etichetă privind emisiile de zgomot în mediu, conform directivelor și reglementărilor din UE și Regatul Unit și legislației din New South Wales „Regulamentul privind măsurile de protecție a mediului (controlul zgomotului) din 2017”. Nivelul de putere sonoră garantat al produsului este specificat în Date tehnice la pagina 327 și pe etichetă.

(Fig. 10) Acest accesoriu este conform cu directivele UE aplicabile.

(Fig. 11) Acest produs este în conformitate cu reglementările aplicabile din Regatul Unit.

(Fig. 12) Produsul este protejat de scurgere.

(Fig. 13) Eliberați maneta frânei de motor pentru oprire.

(Fig. 14) Cod scanabil.

Nota: Celelalte simboluri/autocolante de pe produs se referă la cerințele de certificare pentru unele piețe.

Răspunderea pentru produs

Conform prevederilor legislației privind răspunderea pentru produs, nu ne asumăm răspunderea pentru daunele cauzate de produsul nostru dacă:

- produsul este reparat necorespunzător;
- produsul este reparat cu piese care nu provin de la producător sau care nu sunt aprobate de acesta;
- produsul are un accesoriu care nu provine de la producător sau care nu este aprobat de acesta;
- produsul nu este reparat la un centru de service omologat sau de o autoritate omologată;

Siguranță

Definiții privind siguranța

Avertismentele, atenționările și notele sunt utilizate pentru a desemna părți foarte importante din manual.



AVERTISMENT: Se utilizează dacă există risc de vătămare sau de deces pentru operator sau pentru trecători, în cazul în care instrucțiunile din manual nu sunt respectate.



ATENȚIE: Se utilizează dacă există un risc de deteriorare a produsului, a altor materiale sau a zonelor învecinate, dacă instrucțiunile din manual nu sunt respectate.

Nota: Se utilizează pentru a furniza mai multe informații care sunt necesare într-o situație dată.

Avertismente generale privind siguranța produsului



AVERTISMENT: Citiți toate avertismentele, instrucțiunile, ilustrațiile și specificațiile de siguranță furnizate cu acest produs. Nerespectarea instrucțiunilor enumerate mai jos poate avea ca rezultat electrocutare, incendii și/sau vătămări corporale grave.

Păstrați toate avertismentele și instrucțiunile pentru consultare ulterioară. Termenul „produs” folosit în avertismente se referă la produsul acționat de la rețeaua de alimentare (cu cablu) sau pe baterii (fără cablu).

Siguranța zonei de lucru

- Păstrați zona de lucru curată și bine iluminată. Zonele dezordonate sau întunecoase provoacă accidente.
- Nu întrebuințați produsul în atmosfere explozive, cum ar fi în prezența lichidelor, gazelor și prafului inflamabile. Produsul scoate scântei care pot aprinde praful sau degajările.
- Țineți la distanță copiii și alte persoane în timpul folosirii produsului. Distragerea atenției poate cauza pierderea controlului.

Siguranța privind echipamentele electrice

- Ștecărele produsului trebuie să se potrivească cu priza. Nu modificați niciodată ștecărul. Nu utilizați adaptoare de ștecăr cu produsele cu împănântare (legate la masă). Ștecărele nemodificate și prizele potrivite reduc riscul de electrocutare.

- Evitați contactul dintre propriul corp și suprafețele cu împănântare sau legate la masă, cum ar fi țevi, calorifere, plite și congelatoare. Există un pericol serios de electrocutare dacă împănântarea sau legarea la masă se face prin corpul dvs.
- Nu expuneți produsele la ploaie sau la condiții de umezeală. Apa care pătrunde într-un produs va spori pericolul de electrocutare.
- Nu folosiți cablul în mod abuziv. Nu utilizați niciodată cablul la transportarea, tragerea sau deconectarea produsului. Țineți cablul departe de căldură, ulei, muchii ascuțite sau piese în mișcare. Cablurile deteriorate sau încurcate sporesc pericolul de electrocutare.
- Când lucrați cu produsul afară, folosiți un cablu prelungitor potrivit pentru utilizarea la exterior. Folosirea unui cablu adecvat pentru utilizarea la exterior reduce riscul de electrocutare.
- Dacă întrebuințarea unui produs într-un loc cu umiditate mare este inevitabilă, utilizați o sursă cu dispozitiv de protecție împotriva curentului rezidual (RCD). Folosirea unui dispozitiv pentru curent rezidual reduce pericolul de electrocutare.

Siguranța personală

- Fiți mereu atenți, uitați-vă la ce faceți și dați dovadă de simț practic când utilizați produsul. Nu utilizați produsul când sunteți obosit sau sub influența drogurilor, a alcoolului sau a medicamentelor. Un moment de neatenție în timpul întrebuințării produselor poate duce la vătămări corporale grave.
- Utilizați echipament individual de protecție. Purtați întotdeauna ochelari de protecție. Echipamentele de protecție, cum ar fi masca împotriva prafului, încălțăminte de protecție antiderapantă, casca sau protecția pentru auz utilizate în condiții corespunzătoare, vor reduce riscul de vătămări corporale.
- Evitați pornirea accidentală. Verificați dacă comutatorul este în poziția oprit înainte de conectarea la o sursă de alimentare și/sau la acumulatori, înainte de ridicarea sau transportarea produsului. Transportarea produselor cu degetul pe comutator sau activarea produselor care au comutatorul pornit pot genera accidente.
- Îndepărtați toate cheile de reglare sau cheile fixe înainte de a porni produsul. O cheie fixă care a rămas prinsă la o piesă rotativă a produsului poate duce la răniri.
- Nu vă întindeți prea mult. Sprijiniți-vă bine pe picioare și păstrați-vă echilibrul. Aceasta permite un control mai bun asupra produsului în situații neașteptate.
- Îmbrăcați-vă corespunzător. Nu purtați haine largi sau bijuterii. Țineți părul și îmbrăcămintea la distanță

de piesele în mișcare. Hainele largi, bijuteriile sau părul lung se pot prinde în piesele în mișcare.

- Dacă dispozitivele sunt dotate cu racorduri la instalații de extragere și colectare a prafului, asigurați-vă că acestea sunt conectate și utilizate corespunzător. Colectarea prafului poate reduce pericolul provocate de acesta.
- Nu vă încredeți în familiaritatea dobândită din utilizarea frecventă a produselor și nu neglijați principiile lor de siguranță. O acțiune neglijentă poate duce la vătămări corporale grave într-o fracțiune de secundă.

Utilizarea și întreținerea produsului

- Nu forțați produsul. Utilizați produsul adecvat pentru operațiunea dvs. Cu produsul adecvat veți efectua lucrarea mai rapid și în condiții mai sigure, la viteza de lucru pentru care a fost proiectat.
- Nu utilizați produsul dacă nu poate fi pornit și oprit de la comutator. Orice produs imposibil de controlat cu comutatorul este periculos și trebuie reparat.
- Deconectați ștecărul de la sursa de alimentare și/sau scoateți acumulatorul, dacă este detașabil, de la produs înainte de a face reglaje, de a schimba accesoriile sau de a depozita produsul. Astfel de măsuri preventive de siguranță reduc riscul pornirii accidentale a produsului.
- Nu lăsați produsele nefolosite la îndemâna copiilor și nu permiteți persoanelor care nu sunt familiarizate cu produsele sau cu instrucțiunile acestea să le folosească. Produsele sunt periculoase în mâinile utilizatorilor neinstruiți.
- Întrețineți produse și accesoriile. Verificați ca piesele în mișcare să nu fie nealiniat sau îndoite, ca piesele să nu fie deteriorate și să nu existe alte situații care ar putea afecta funcționarea produsului. Dacă produsul se strică, duceți-l la reparat înainte de a-l utiliza iar. Multe accidente sunt provocate de produsele prost întreținute.
- Păstrați uneltele de tăiere ascuțite și curate. Este mai puțin probabil ca uneltele de tăiere cu tăisuri ascuțite întreținute corespunzător să se blocheze și sunt mai ușor de controlat.
- Utilizați produsul, accesoriile, capetele de unelță etc. în conformitate cu aceste instrucțiuni, luând în considerare condițiile de lucru și operațiunea care urmează a fi efectuată. Utilizarea produsului pentru operațiuni diferite de cele pentru care a fost realizat poate duce la situații periculoase.
- Mențineți mânerul și suprafețele de prindere uscate, curate, fără ulei și unsoare. Mânerul și suprafețele de prindere alunecoase nu permit manipularea și controlarea în siguranță a produsului în situații neprevăzute.

Utilizarea și întreținerea uneltei cu baterie

- Reîncărcați numai cu încărcătorul specificat de producător. Un încărcător adecvat pentru un tip de baterie poate constitui pericol de incendiu atunci când este utilizat cu un alt tip de baterie.

- Utilizați produsele numai cu bateriile special indicate. Utilizarea unui alt tip de acumulatori poate constitui pericol de vătămări corporale și de incendiu.
- Când acumulatorul nu este utilizat, păstrați-l departe de alte obiecte metalice, precum agrafe de birou, monede, chei, cuie, șuruburi sau alte obiecte mici de metal, care pot crea o conexiune între borne. Scurtcircuitarea bornelor bateriei poate cauza arsuri sau incendii.
- În condiții de utilizare neadecvată, din baterie pot ieși stropi de lichid; evitați contactul. Totuși, dacă intrați accidental în contact cu lichidul respectiv, spălați cu apă. Dacă lichidul intră în contact cu ochii, consultați un medic. Lichidul care se scurge din baterie poate cauza iritații sau arsuri.
- Nu utilizați acumulatori sau uneltele deteriorate sau modificate. Bateriile deteriorate sau modificate pot prezenta un comportament impredictibil, ce pot duce la incendii, explozii sau pericol de vătămări corporale.
- Nu expuneți acumulatorii sau uneltele la flăcări sau temperaturi excesive. Expunerea la flăcări sau la temperaturi de peste 130°C/265°F poate cauza explozii.
- Urmați toate instrucțiunile de încărcare și nu încărcați acumulatorul sau uneltea în afara intervalului de temperatură specificat în instrucțiuni. Încărcarea incorectă sau la temperaturi în afara intervalului specificat poate duce la deteriorarea bateriei și la creșterea pericolului de incendiu.

Service

- Produsul dvs. trebuie reparat numai de un tehnician calificat, care să folosească numai piese de schimb identice. Astfel se garantează păstrarea siguranței produsului.
- Nu reparați niciodată acumulatori deteriorați. Repararea acumulatorilor trebuie efectuată numai de producător sau de furnizorii de servicii autorizați.

Avertismente privind siguranța mașinii de tuns gazonul

- Nu utilizați mașina de tuns gazonul în condiții de vreme nefavorabilă, mai ales când există risc de descărcări electrice. Aceasta reduce riscul de a fi lovit de trăsnet.
- Verificați temeinic zona unde urmează a fi utilizată mașina, pentru a vedea dacă nu există animale sălbatice. Animalele sălbatice ar putea fi rănite de mașină în timp ce este în funcțiune.
- Verificați temeinic zona unde urmează a fi utilizată mașina și înlăturați toate pietrele, bețele, cablurile, oasele și alte obiecte străine. Obiectele proiectate pot provoca vătămări corporale.
- Înainte de a utiliza mașina, efectuați întotdeauna o inspecție vizuală pentru a vedea dacă cuțitul și ansamblul cuțitului nu sunt uzate sau deteriorate. Componentele deteriorate sau uzate sporesc riscul de vătămare corporală.

- **Verificați frecvent colectorul de iarbă pentru a detecta eventualele semne de uzură sau deteriorare.** Un colector de iarbă uzat sau deteriorat poate crește riscul de vătămări corporale.
- **Păstrați apărătorile montate. Apărătorile trebuie să fie în stare adecvată pentru lucru și montate corect.** O apărătoare slăbită, deteriorată sau care nu funcționează corect poate duce la vătămări corporale.
- **Mențineți toate admisile de aer de răcire neobstrucționate de resturi.** Blocarea admisiiilor de aer și resturile pot duce la supraîncălzire sau incendii.
- **În timp ce folosiți mașina, purtați mereu încălțăminte antiderapantă de protecție. Nu întrebuiți mașina în picioarele goale sau purtând pantofi deschiși la vârf.** Astfel reduceți riscul de rănire a picioarelor în eventualitatea contactului cu cuțitul aflat în mișcare.
- **Când folosiți mașina de tuns gazonul, purtați întotdeauna pantalonii lungi.** Pielea expusă crește probabilitatea rănirii de către obiectele proiectate.
- **Nu utilizați mașina pe iarbă udă. Mergeți, nu alergați niciodată.** Astfel reduceți riscul de alunecare și cădere, care pot provoca vătămări corporale.
- **Nu întrebuiți mașina pe pante prea înclinate.** Astfel scade riscul de a pierde controlul, de a aluneca sau de a cădea, care pot duce la vătămări corporale.
- **Când lucrați pe pante, asigurați-vă întotdeauna că aveți o poziție stabilă. Lucrați mereu orizontal pe suprafața pantei, niciodată în sus și în jos și aveți foarte mare grijă când schimbați direcția.** Astfel scade riscul de a pierde controlul, de a aluneca sau de a cădea, care pot duce la vătămări corporale.
- **Aveți mare grijă când dați înapoi sau când trageți mașina de tuns gazonul spre dvs. Aveți mereu grijă la zona din jur.** Astfel se reduce riscul de împiedicare în timpul lucrului.
- **Nu atingeți cuțitele și alte componente mobile periculoase în timp ce încă se află în mișcare.** Astfel reduceți riscul de vătămări corporale produse de componentele în mișcare.
- **Când desprindeți materialul blocat sau curățați mașina de tuns gazonul, asigurați-vă că toate întrerupătoarele sunt oprite și cablul de alimentare este scos din priză.** Acționarea neașteptată a mașinii poate duce la vătămări corporale grave.

Dispozitiv de protecție împotriva curentului rezidual

- Utilizați un dispozitiv de protecție împotriva curentului rezidual cu un curent de declanșare de maximum 30 mA.

Instrucțiuni generale de siguranță



AVERTISMENT: Înainte de a utiliza produsul, citiți instrucțiunile de avertizare de mai jos.

- Acest produs este periculos dacă este utilizat incorect sau dacă nu sunteți atent. Nerespectarea instrucțiunilor de siguranță poate cauza vătămări corporale sau decesul.
- În timpul funcționării, acest produs produce un câmp electromagnetic. În anumite condiții, acest câmp poate interfera cu implanturile medicale active sau pasive. Pentru a reduce riscul de vătămări corporale grave sau mortale, recomandăm persoanelor cu implanturi medicale să consulte medicul și producătorul implantului medical înainte de a utiliza acest produs.
- Procedați întotdeauna cu atenție și folosiți-vă judecata. Dacă nu sunteți sigur cum să utilizați produsul într-o situație specială, opriți-l și adresați-vă distribuitorului Husqvarna înainte de a continua.
- Rețineți că operatorul poartă responsabilitatea privind orice accidente care implică alte persoane sau bunurile acestora.
- Păstrați produsul curat. Asigurați-vă că puteți citi clar semnele și etichetele.
- Nu lăsați niciodată copiii sau persoanele nefamiliarizate cu aceste instrucțiuni să folosească aparatul. Este posibil ca reglementările locale să limiteze vârsta operatorului.
- Monitorizați permanent o persoană cu capacități fizice sau mintale reduce care utilizează produsul. Un adult responsabil trebuie să fie prezent în permanență.
- Nu utilizați produsul atunci când sunteți obosit, bolnav sau dacă ați consumat alcool, droguri sau ați luat medicamente. Acestea vă afectează negativ acuitatea vizuală, atenția, coordonarea și judecata.
- Nu utilizați produsul dacă este defect.
- Nu modificați acest produs și nu îl utilizați dacă este posibil să fi fost modificat de către alte persoane.

Siguranța în lucru



AVERTISMENT: Înainte de a utiliza produsul, citiți instrucțiunile de avertizare de mai jos.

- Utilizați acest produs numai pentru tunderea gazonului. Nu este permisă utilizarea acestui produs pentru alte lucrări.
- Utilizați echipamentul de protecție personală. Consultați Echipament individual de protecție la pagina 318.
- Asigurați-vă că știți cum să opriți rapid motorul în caz de urgență.
- Nu utilizați produsul în ploaie sau în condiții de umezeală. Riscul de electrocutare crește dacă apa pătrunde în produs.
- Nu utilizați produsul decât dacă a fost montat corect cuțitul și toate capacele. Un cuțit montat incorect se poate slăbi, provocând vătămări corporale.

- Asigurați-vă că lama nu lovește obiecte, precum pietre și rădăcini. Acestea pot deteriora cuțitul și pot îndoi arborele motorului. Un ax îndoit poate genera vibrații puternice și prezintă un risc foarte ridicat de slăbire a cuțitului.
- Dacă lama lovește un obiect sau dacă observați vibrații, opriți produsul imediat. Opriți motorul, rotiți cheia de siguranță la 0 și scoateți bateria. Așteptați până se opresc componentele aflate în mișcare. Verificați dacă produsul este deteriorat. Strângeți componentele slăbite. Reparați avariile și înlocuiți componentele deteriorate. Reparațiile trebuie efectuate de un agent de service autorizat.
- Nu atășați niciodată maneta frânei de motor la mâner, în mod permanent, atunci când motorul este pornit.
- Poziționați produsul pe o suprafață stabilă, plană și porniți-l. Asigurați-vă că lama nu atinge solul sau alte obiecte.
- Stați întotdeauna în spatele produsului atunci când îl utilizați.
- Mențineți toate roțile pe sol și țineți ambele mâini pe mâner când utilizați produsul. Feriți-vă mâinile și picioarele de cuțitele rotative.
- Nu înclinați produsul când porniți motorul sau în timp ce întrebuințați produsul.
- Fiți atent atunci când trageți produsul în spate.
- Nu ridicați niciodată produsul când motorul este pornit. Dacă trebuie să ridicați produsul, mai întâi opriți motorul, rotiți cheia de siguranță la 0 și scoateți bateria.
- Nu mergeți cu spatele în timp ce utilizați produsul.
- Opriți motorul când este necesar să înclinați produsul pentru transport sau înainte de a trece peste o zonă fără iarbă, de exemplu poteci de pietriș, piatră sau asfalt.
- Nu alergați cu produsul când motorul este pornit. Întotdeauna mergeți în timp ce utilizați produsul.
- Opriți motorul înainte de a schimba înălțimea de tăiere. Nu efectuați niciodată reglări cu motorul pornit.
- Nu lăsați niciodată produsul să iasă din câmpul vizual cu motorul pornit. Opriți motorul și asigurați-vă că echipamentul de tăiere nu se rotește.
- Vibrațiile produsului în timpul funcționării pot fi diferite de valoarea de vibrații declarată în Date tehnice la pagina 327. Diferența este dată de variațiile din modurile de utilizare a produsului. Dacă întrebuințați produsul frecvent sau pe durate mari, faceți pauze dese pentru a preveni afecțiunile fizice determinate de vibrații.

Instrucțiuni de siguranță pentru utilizare

Echipament individual de protecție



AVERTISMENT: Înainte de a utiliza produsul, citiți instrucțiunile de avertizare de mai jos.

- Echipamentul individual de protecție nu pot elimina complet riscul de rănire, însă pot reduce gravitatea rănilor în cazul unui accident. Distribuitorul vă poate ajuta să alegeți echipamentul corect.
- Utilizați întotdeauna ghetе sau pantofi pentru regim greu de lucru, cu rezistență la alunecare. Nu folosiți pantofi decupați și nu operați produsul desculți.
- Utilizați pantaloni lungi, groși.
- Purtați mănuși de protecție atunci când este necesar, de exemplu atunci când conectați, inspecți și curățați echipamentul de tăiere.
- Recomandăm folosirea de echipament de protecție a auzului.

Dispozitivele de siguranță de pe produs



AVERTISMENT: Înainte de a utiliza produsul, citiți instrucțiunile de avertizare de mai jos.

- Nu utilizați un produs cu dispozitive de siguranță deteriorate.
- Nu demontați și nu aduceți modificări la dispozitivele de siguranță.
- Verificați regulat dispozitivele de siguranță. Dacă dispozitivele de siguranță sunt defecte, contactați agentul de service Husqvarna.

Verificarea capacului de tăiere

Capacul de tăiere reduce vibrațiile în produs și scade riscul de rănire de la cuțit.

- Examinați capacul de tăiere și asigurați-vă că nu există defecte, precum fisuri.

Pentru a efectua verificarea cheii de siguranță

Cheia de siguranță este sub capacul bateriei. Cheia de siguranță conectează bateria care alimentează motorul cu energie.

- Porniți și opriți motorul pentru a verifica cheia de siguranță.
- În cazul în care cheia de siguranță funcționează corect, motorul pornește doar atunci când cheia de siguranță este în poziția 1. (Fig. 15)

Verificați maneta frânei de motor

Maneta frânei de motor oprește motorul. Când maneta frânei de motor este eliberată, motorul se oprește.

- Porniți produsul. Consultați Pornirea produsului la pagina 321.
- Eliberați maneta frânei de motor. (Fig. 16)
- Asigurați-vă că produsul se oprește. Dacă motorul nu se oprește în 3 secunde, solicitați unui agent de service autorizat Husqvarna să regleze frâna de motor.

Verificarea inhibitorului de pornire

Verificați inhibitorul de pornire pentru a vă asigura că acesta împiedică funcționarea demarorului.

1. Împingeți maneta frânei de motor în direcția mânerului. Inhibitorul de pornire oprește mișcarea.
2. Împingeți inhibitorul de pornire în afară. (Fig. 17)
3. Eliberați inhibitorul de pornire și asigurați-vă că revine la poziția sa inițială.

Siguranța bateriei



AVERTISMENT: Înainte de a utiliza produsul, citiți instrucțiunile de avertizare de mai jos.

- Utilizați numai baterii reîncărcabile Husqvarna ca sursă de alimentare pentru produsele Husqvarna asociate. Pentru a evita rănirea, nu folosiți bateria ca sursă de alimentare pentru alte dispozitive.
- Nu utilizați baterii nereîncărcabile.
- Risc de electrocutare. Nu conectați bornele bateriei la chei, monede, șuruburi sau alte metale. Aceasta poate cauza scurtcircuitarea bateriei.
- Nu puneți obiecte în fantele de aerisire a bateriei.
- Feriți bateria de lumina solară, de căldură sau de flăcări deschise. Bateria poate exploda și provoca arsuri și/sau arsuri chimice.
- Feriți bateria de ploaie și de condiții de umezeală.
- Feriți bateria de microunde și de înaltă presiune.
- Nu încercați să demontați sau să spargeți bateria.
- Dacă există scurgeri de lichid dintr-o baterie, nu lăsați lichidul să intre în contact cu pielea sau ochii. Dacă ați atins lichidul, curățați zona cu apă din abundență și consultați medicul.
- Utilizați bateria din produs numai când temperatura ambientă este între 5 și 40 °C.
- Utilizați încărcătorul bateriei numai când temperatura ambientă este între 5 și 40 °C.
- Bateria nu se va încărca dacă temperatura sa depășește 50 °C.
- Nu curățați niciodată bateria sau încărcătorul bateriei cu apă. Consultați Curățarea bateriei și încărcătorului la pagina 323.
- Nu utilizați o baterie defectă sau deteriorată.
- Depozitați bateriile la distanță de obiecte de metal, de exemplu cuie, monede, bijuterii.

Siguranța încărcătorului bateriei



AVERTISMENT: Înainte de a utiliza produsul, citiți instrucțiunile de avertizare de mai jos.

- Utilizați numai încărcătoare de baterii QC pentru a încărca bateriile de schimb Husqvarna.
- Pericol de electrocutare sau de scurtcircuit. Nu puneți obiecte în fantele de aerisire a încărcătorului.

Nu încercați să dezamblați încărcătorul de baterii. Nu conectați bornele încărcătorului la obiecte metalice. Folosiți o priză de curent aprobată.

- În timpul funcționării, acest produs produce un câmp electromagnetic. În anumite condiții, acest câmp poate interfera cu implanturile medicale active sau pasive. Pentru a scădea riscul de afecciuni care pot conduce la vătămare sau la deces, recomandăm persoanelor cu implanturi medicale să consulte medicul și producătorul implantului medical înainte de a utiliza produsul.
- Asigurați-vă periodic că cablul de alimentare al încărcătorului de baterii nu este deteriorat și că nu prezintă fisuri.
- Nu ridicați încărcătorul bateriei ținând de cablul de alimentare. Pentru a deconecta încărcătorul de baterii de la priza de perete, trageți de ștecăr. Nu trageți de cablul de alimentare.
- Țineți cablul de alimentare și prelungitoarele la distanță de apă, ulei și muchiile ascuțite. Asigurați-vă că acest cablu nu este prins în uși, garduri sau în alte locuri similare. În caz contrar, încărcătorul poate intra sub tensiune.
- Nu curățați încărcătorul de baterii folosind apă.
- Acest încărcător de baterii poate fi utilizat de către copiii cu vârsta peste 8 ani și de către persoane ce au capacități fizice, senzoriale sau mintale reduse sau care nu au experiența și cunoștințele necesare, dacă sunt supravegheate sau au primit instrucțiuni referitoare la utilizarea încărcătorului de baterii în siguranță și înțeleg riscurile implicate. Copiii nu trebuie să se joace cu încărcătorul de baterii. Curățarea și întreținerea nu se vor efectua de copii fără supraveghere.
- Nu încărcați baterii nereîncărcabile în încărcătorul de baterii.
- Nu utilizați încărcătorul bateriei în apropiere de materiale inflamabile sau materiale care pot cauza coroziune. Nu acoperiți încărcătorul bateriei. În caz de fum sau de incendiu, scoateți ștecărul încărcătorului de baterii.
- Nu utilizați un încărcător de baterii defect sau deteriorat.
- Încărcați bateria numai în interior, într-o încăpere cu aerisire adecvată și departe de lumina soarelui. Nu încărcați bateria în medii umede.

Instrucțiuni de siguranță pentru întreținere



AVERTISMENT: Înainte de a utiliza produsul, citiți instrucțiunile de avertizare de mai jos.

- Pentru a preveni pornirea accidentală în timpul operațiilor de întreținere, rotiți cheia de siguranță la 0 și scoateți bateria. Așteptați minimum 5 secunde înainte de a începe lucrările de întreținere.

- Efectuați numai lucrările de întreținere care se regăsesc în acest manual al operatorului. Lucrările mai complexe și reparațiile profesionale trebuie efectuate de un agent de service autorizat. Discutați cu agentul de service cel mai apropiat de dvs. pentru mai multe informații.
- Efectuați lucrările de întreținere în mod corect pentru a prelungi durata de viață a produsului și reduce pericolul de accidente.
- Înlocuiți piesele deteriorate, uzate sau defecte. Utilizați întotdeauna piese de schimb originale de la producător. Alte piese de schimb pot deteriora produsul și pot crește riscul de accidente.
- Pentru a preveni rănirea, nu demontați și nu aduceți modificări la dispozitivele de siguranță.
- Puneți-vă mănuși de protecție rezistente atunci când utilizați echipamentul de tăiere. Cuțitul este foarte ascuțit și vă puteți tăia foarte ușor.
- Mențineți tășurile de tăiere ascuțite și curățate pentru performanță și siguranță optimă.
- Permiteți agentului de service să verifice periodic produsul și să efectueze reglaje și reparațiile necesare.
- Respectați instrucțiunile privind modul de schimbare a accesoriilor. Utilizați numai accesoriile furnizate de producător.
- Atunci când nu este în funcțiune, păstrați produsul, bateria și încărcătorul în interior, într-un loc uscat și încluiat. Asigurați-vă că persoanele neavizate și copiii nu au acces la produs, la baterie sau la încărcător.

Asamblarea

Introducere



AVERTISMENT: Înainte de a asambla produsul, citiți capitolul privind siguranța.



AVERTISMENT: Pentru a preveni pornirea accidentală în timpul asamblării, rotiți cheia de siguranță la 0, scoateți bateria și așteptați minimum 5 secunde.

Asamblarea mânerului

1. Plijați mânerul superior în față.

2. Strângeți butoanele rotative de pe mâner. (Fig. 18)
3. Trageți mânerul înapoi până când ajunge în poziția de capăt.
4. Plijați maneta de reglare a înălțimii și puneți-o în canelură. (Fig. 19)
5. Apăsăți în jos maneta de reglare a înălțimii cu piciorul. (Fig. 20)

Reglarea înălțimii mânerului

1. Apăsăți în interior maneta de reglare a înălțimii cu piciorul.
2. Puneți mânerul în poziția corectă și eliberați-l. (Fig. 21)

Funcționarea

Introducere



AVERTISMENT: Înainte de a utiliza produsul, trebuie să citiți și să înțelegeți capitolul privind siguranța.

Husqvarna Connect

Husqvarna Connect este o aplicație gratuită pentru dispozitivul dvs. mobil. Aplicația Husqvarna Connect vă oferă funcții extinse pentru produsul dvs. Husqvarna:

- Informații pe larg despre produs.
- Informații despre piese pentru produse și service și asistență pentru acestea.

Pentru a începe să utilizați Husqvarna Connect

1. Descărcați aplicația Husqvarna Connect pe dispozitivul dvs. mobil.
2. Înregistrați-vă în aplicația Husqvarna Connect.

3. Urmați pașii cu instrucțiuni din aplicația Husqvarna Connect pentru a conecta și înregistra produsul.

Așezarea produsului în poziția de funcționare

1. Asamblați mânerul. Consultați Asamblarea mânerului la pagina 320.
2. Reglați înălțimea mânerului. Consultați Reglarea înălțimii mânerului la pagina 320.



ATENȚIE: Asigurați-vă că nu sunt foarte tensionate cablurile. Cablurile prea tensionate se pot deteriora dacă mânerul este pliat în poziția pentru transport.



AVERTISMENT: Nu folosiți produsul decât dacă mânerul este pliat complet în sus și fixat la una din pozițiile de înălțime corespunzătoare. Consultați Reglarea înălțimii mânerului la pagina 320.

Setarea înălțimii de tăiere

Înălțimea de tăiere poate fi reglată în 6 pași diferiți.

1. Oprii motorul.
2. Deplasați spre spate pârghia înălțimii de tăiere pentru a mări înălțimea de tăiere. (Fig. 22)
3. Deplasați înainte pârghia înălțimii de tăiere pentru a reduce înălțimea de tăiere.



ATENȚIE: Nu setați o înălțime de tăiere prea scăzută. Cuțitele pot atinge solul dacă suprafața gazonului nu este plană.

Baterie



AVERTISMENT: Înainte de a utiliza bateria, trebuie să citiți și să înțelegeți capitolul privind siguranța. Trebuie, de asemenea, să citiți și înțelegeți informațiile din manualul operatorului privind bateria și încărcătorul.

Păstrați bateria și încărcătorul la temperaturile ambiante corecte.

	Temperatură ambiantă
Folosirea bateriei	5-40 °C
Încărcarea bateriei	5-40 °C

Stare baterie

Afișajul arată capacitatea rămasă a bateriei și dacă există probleme cu ea. Capacitatea bateriei este afișată timp de 5 secunde după ce produsul este oprit sau când este apăsat butonul indicatorului. Simbolul de avertisment de pe baterie se aprinde când se produce o eroare. Consultați Baterie la pagina 324.

(Fig. 23)

Lumini LED	Stare baterie
Toate LED-urile sunt aprinse	Complet încărcată (75-100%)
Sunt aprinse LED-urile 1, 2 și 3	Bateria este încărcată în proporție de 50-75%
Sunt aprinse LED-urile 1 și 2	Bateria este încărcată în proporție de 25-50%
Este aprins LED-ul 1	Bateria este încărcată în proporție de 0-25%.
LED-ul 1 se aprinde intermitent	Bateria este descărcată. Încărcați bateria.

Încărcarea bateriei

Încărcați bateria înainte de prima utilizare. Bateria este încărcată în proporție de doar 30 % la livrarea către client.

Nota: Încărcătorul trebuie conectat la o sursă de alimentare având tensiunea și frecvența specificate pe plăcuța de identificare.

Bateria nu se încarcă dacă temperatura acesteia este mai mare de 50° C. Încărcătorul de baterii reduce temperatura bateriei înainte de a începe încărcarea.

1. Conectați un capăt al cablului de alimentare al încărcătorului la mufa acestuia.
2. Conectați celălalt capăt al cablului de alimentare al încărcătorului la o priză de curent cu împământare. LED-ul de pe încărcătorul bateriei se aprinde o singură dată, în culoarea verde. (Fig. 24)
3. Introduceți bateria în încărcătorul aferent. Lumina verde de pe încărcător se aprinde atunci când bateria este conectată corect la încărcător. (Fig. 25)
4. Atunci când toate LED-urile de pe baterie sunt aprinse, bateria este încărcată complet. Încărcați bateria timp de maximum 24 de ore.
5. Pentru a decupla încărcătorul de baterii de la priza de curent, trageți de ștecher și nu de cablul de alimentare.
6. Scoateți bateria din încărcător.

Nivelul de încărcare a bateriei

Bateriile Li-ion Husqvarna pot fi încărcate sau utilizate la orice nivel de încărcare. Bateria nu se deteriorează. O baterie complet încărcată nu pierde din nivel nici chiar atunci când este lăsată în încărcător.

Afișaj LED	Nivelul de încărcare
LED-ul 1 se aprinde intermitent	0%-25%
LED-ul 1 este aprins, LED-ul 2 se aprinde intermitent	25%-50%
LED-urile 1 și 2 sunt aprinse, LED-ul 3 se aprinde intermitent	50%-75%
LED-urile 1, 2 și 3 sunt aprinse, LED-ul 4 se aprinde intermitent	75%-100%
LED-urile 1, 2, 3 și 4 sunt aprinse	Încărcată complet

Pornirea produsului

1. Deschideți capacul bateriei.

2. Introduceți o baterie încărcată în suportul pentru baterie.
3. Rotiți cheia de siguranță la 1. (Fig. 26)
4. Stați în spatele produsului.
5. Slăbiți inhibitorul de pornire. (Fig. 17)
6. Împingeți maneta frânei de motor în direcția mânerului. (Fig. 27)

Utilizarea funcției SaveE™ SaveE™

Produsul are o funcție de economisire a bateriei (SaveE™) care îi asigură o durată mai lungă de funcționare.

- Apăsăți butonul SaveE™ în poziția 1 pentru a porni funcția. (Fig. 28)
- Apăsăți butonul SaveE™ în poziția 2 pentru a opri funcția.

Nota: Funcția SaveE™ se dezactivează automat când condițiile la sol impun o putere mai mare. Funcția SaveE™ se activează din nou automat când condițiile la sol o permit.

Funcționarea cu sarcină ridicată

Atunci când produsul taie iarbă lungă sau umedă, motorul își mărește automat turația. Motorul revine la modul standard când sarcina ridicată nu mai este necesară.

Oprirea motorului

În timpul funcționării, cuțitul și motorul se pot opri temporar din cauza unor obstacole precum blocarea ierbii sub capacul de tăiere. Dacă se întâmplă acest lucru și țineți maneta frânei de motor apăsată în jos, produsul repornește automat. Dacă produsul nu repornește în 5-10 secunde, poate fi necesar să curățați sub capacul de tăiere. Consultați Curățarea produsului la pagina 323.



AVERTISMENT: Dacă motorul se oprește, produsul încearcă să repornească automat timp de 5-10 secunde. Așteptați cel

puțin 15 secunde înainte de a vă uita sub capacul de tăiere.



AVERTISMENT: Înainte de a verifica sub capacul de tăiere, eliberați maneta frânei de motor, rotiți cheia de siguranță la 0, scoateți bateria și așteptați cel puțin 5 secunde. Există riscul de accidentare dacă obstacolul este îndepărtat și produsul pornește accidental.

Oprirea produsului



AVERTISMENT: Rotiți cheia de siguranță la poziția 0 înainte să lăsați produsul să iasă din câmpul vizual.

1. Eliberați maneta frânei de motor pentru a opri motorul. (Fig. 29)
2. Deschideți capacul bateriei și rotiți cheia de siguranță la 0. (Fig. 30)
3. Pentru a scoate bateria, apăsați cele 2 butoane de eliberare și trageți bateria în afară. (Fig. 31)
4. Încărcați bateria dacă este slabă. Pentru mai multe informații, consultați Încărcarea bateriei la pagina 321.

Obținerea rezultatelor bune

- Utilizați întotdeauna o lamă ascuțită. O lamă tocită oferă rezultate neregulate, iar suprafața tăiată a ierbii se îngălbenesc. De asemenea, o lamă ascuțită folosește mai puțină energie decât o lamă tocită.
- Nu tăiați niciodată mai mult de 1/3 din lungimea ierbii. Inițial, tundeți cu o înălțime mare de tăiere. Verificați rezultatul și coborâți înălțimea de tăiere la un nivel convenabil. Dacă iarba este foarte înaltă, deplasați aparatul încet și tundeți de două ori, dacă este necesar.
- Tăiați de fiecare dată în altă direcție, pentru a preveni formarea de dungi pe gazon.
- Păstrați capacul de tăiere curat. Acumularea de iarbă și murdărie pe partea interioară a capacului de tăiere poate reduce calitatea rezultatului tăierii. Consultați Curățarea produsului la pagina 323.

Întreținerea

Introducere



AVERTISMENT: Înainte de a efectua orice operații de întreținere, citiți și înțelegeți capitolul privind siguranța.

distribuitorul dvs. nu este agent de service, solicitați acestuia informații cu privire la cel mai apropiat agent de service.

Pentru informații mai detaliate, consultați www.husqvarna.com.

Toate lucrările de service și de reparații la produs necesită instruire specială. Garantăm disponibilitatea unor lucrări profesioniste de reparații și service. Dacă

Program de întreținere

Intervalele de întreținere sunt calculate având în vedere o utilizare zilnică a produsului. Intervalele se modifică dacă produsul nu este utilizat zilnic.

Pentru operațiunile de întreținere marcate cu *, consultați instrucțiunile din Siguranță la pagina 315.

	La fiecare utilizare	Lunar	În fiecare sezon
Efectuați o inspecție generală.	X		
Curățați produsul.	X		
Curățați zona din jurul manetei de reglare a înălțimii mânerului.	X		
Verificați inhibitorul de pornire. *	X		
Asigurați-vă că dispozitivele de siguranță ale produsului nu sunt defecte. *	X		
Examinați echipamentul de tăiere.	X		
Examinați capacul de tăiere. *	X		
Verificați maneta frânei de motor. *	X		
Verificați dacă bateria este deteriorată.	X		
Verificați nivelul de încărcare a bateriei.	X		
Asigurați-vă că butoanele de eliberare de pe baterie funcționează corect și că bateria este fixată în produs.	X		
Verificați dacă încărcătorul de baterii nu prezintă deteriorări și asigurați-vă că funcționează corect.		X	
Examinați conexiunile dintre baterie și produs. Examinați, de asemenea, conexiunea dintre baterie și încărcător.			X

Pentru a efectua o inspecție generală

- Asigurați-vă că șuruburile și piulițele produsului sunt strânse.
- Asigurați-vă că cablurile de pe produs nu sunt într-o poziție în care să poată fi deteriorate.

Curățarea produsului

- Curățați componentele din plastic cu o cârpă curată și uscată.
- Nu utilizați apă pentru a curăța produsul. Apa poate pătrunde în baterie sau în motor și poate provoca scurtcircuitul sau poate avaria produsul.
- Nu utilizați o instalație de spălare cu presiune ridicată pentru a curăța produsul.
- Nu stropiți niciodată direct motorul cu apă.
- Folosiți o perie pentru a elimina frunzele, iarba și murdăria.

Curățarea bateriei și încărcătorului



AVERTISMENT: Nu curățați niciodată cu apă bateria sau încărcătorul bateriei.



AVERTISMENT: Nu folosiți chimicale pentru a curăța bateria.

- Asigurați-vă că bateria și încărcătorul sunt curate și uscate înainte să introduceți bateria în încărcător.
- Curățați bornele bateriei cu aer comprimat sau cu o cârpă moale și uscată.
- Curățați suprafețele bateriei și încărcătorul cu o cârpă moale și uscată.

Curățarea zonei din jurul manetei de reglare a înălțimii mânerului

- Folosiți o perie pentru a elimina frunzele, iarba și murdăria.
(Fig. 32)

Pentru a examina echipamentul de tăiere



AVERTISMENT: Pentru a preveni pornirea accidentală, rotiți cheia de siguranță la 0, scoateți bateria și așteptați cel puțin 5 secunde.



AVERTISMENT: Purtați mănuși de protecție când efectuați întreținerea echipamentului de tăiere. Cuțitul este foarte ascuțit și vă puteți tăia foarte ușor.

1. Examinați echipamentul de tăiere pentru a identifica eventuale deteriorări sau crăpături. Înlocuiți întotdeauna un echipament de tăiere deteriorat.
2. Observați cuțitul pentru a vedea dacă este deteriorat sau tocit.

Nota: După ascuțirea cuțitului, acesta trebuie echilibrat. Solicitați unui centru de service să ascuțească și să monteze la loc și să echilibreze cuțitul. Dacă loviți un obstacol care determină produsul să se oprească, înlocuiți cuțitul deteriorat. Solicitați centrului de service să estimeze dacă lama poate fi ascuțită sau trebuie înlocuită.

Înlocuirea cuțitului

Consultați Date tehnice la pagina 327 pentru tipul corect de cuțit.



AVERTISMENT: Blocați cuțitul cu o bucată de lemn pentru a preveni rănirea degetelor când îl înlocuiți. Cuțitul se poate mișca și când motorul e oprit, iar degetele se pot prinde între cuțit și piesele fixe.

1. Blocați cuțitul cu o bucată de lemn. (Fig. 33)
2. Îndepărtați bolțul cuțitului, șaiba elastică și cuțitul. (Fig. 34)
3. Examinați suportul și șurubul cuțitului pentru a vedea dacă există deteriorări.
4. Examinați arborele motorului pentru a vă asigura că nu s-a îndoit.
5. Când montați un cuțit nou, îndreptați capetele oblice ale cuțitului în direcția capacului de tăiere. (Fig. 35)
6. Asigurați-vă că cuțitul este aliniat cu centrul arborelui motorului.
7. Blocați cuțitul cu o bucată de lemn. Montați șaiba elastică și strângeți șurubul și șaiba la un cuplu de 23–28 Nm. (Fig. 36) (Fig. 34)
8. Învârțiți cuțitul cu mâna și asigurați-vă că se rotește liber.



AVERTISMENT: Purtați mănuși de protecție rezistente. Cuțitul este foarte ascuțit și vă puteți tăia foarte ușor.

9. Porniți produsul pentru a efectua un test al cuțitului. Dacă cuțitul nu este prins corect, produsul vibrează sau rezultatele de tăiere sunt nesatisfăcătoare.

Depanarea

Baterie

LED pe baterie	Cauză	Soluție
LED-ul verde se aprinde intermitent.	Tensiunea bateriei este joasă.	Încărcați bateria. Consultați Încărcarea bateriei la pagina 321.
LED-ul de eroare se aprinde intermitent.	Bateria este slabă.	Încărcați bateria. Consultați Încărcarea bateriei la pagina 321.
	Temperatura din mediul de lucru este prea mare sau prea mică.	Utilizați bateria la temperaturi între 5 și 40 °C.
	Supratensiune.	Asigurați-vă că tensiunea rețelei de alimentare este la fel cu cea indicată pe plăcuța de identificare de pe produs. Scoateți bateria din încărcător. Așteptați 5 secunde și încercați din nou să încărcați bateria. Dacă problema continuă, contactați un agent de service aprobat.

LED pe baterie	Cauză	Soluție
LED-ul de eroare este aprins.	Diferența dintre celule este prea mare (1 V).	Discutați cu un agent de service autorizat.

Încărcător baterie

LED-ul de pe încărcătorul de baterii	Cauză	Soluție
LED-ul de eroare se aprinde intermitent.	Temperatura din mediul de lucru este prea mare sau prea mică.	Utilizați încărcătorul de baterii la temperaturi între 5 și 40 °C.
LED-ul de eroare este aprins.		Discutați cu un agent de service autorizat.

Mașină de tuns iarbă

Indicatorul de avertisment (LED de eroare) se află sub capacul bateriei.

Problemă	LED de eroare (număr de aprinderi intermitente)	Cauză	Soluție
LED-ul de eroare luminează intermitent. Produsul nu funcționează corect.	5	Cuțitul este blocat.	Rotiți cheia de siguranță la poziția 0 pentru a preveni pornirea accidentală. Scoateți bateria și așteptați minimum 5 secunde. Îndepărtați posibilele obstacole și asigurați-vă că cuțitul se poate roti liber. Dacă problema continuă, contactați un agent de service aprobat.
		Turația motorului scade prea mult și motorul se oprește.	Măriți înălțimea de tăiere. Consultați Setarea înălțimii de tăiere la pagina 321.
LED-ul de eroare luminează intermitent. Produsul se oprește.	10	Controlul motorului este prea fierbinte.	Oprii motorul și așteptați până când acesta se răcește.
	0	Defecțiune la nivelul conectorului bateriei.	Examinați conectorul bateriei.
	3	Motorul este suprasolicitat.	Măriți înălțimea de tăiere. Consultați Setarea înălțimii de tăiere la pagina 321.
	8	Bateria este slabă.	Încărcați bateria. Consultați Încărcarea bateriei la pagina 321.
	9	Eroare la nivelul bateriei sau nu există semnal de la baterie.	Instalați bateria corect în produs și examinați conectorul bateriei. Dacă LED-ul de eroare de pe baterie se aprinde intermitent, Consultați Stare baterie la pagina 321.
12	Procedură de pornire incorectă. Maneta frânei de motor a fost cuplată înainte de pornirea motorului.	Eliberați maneta frânei de motor și așteptați circa 5 secunde. Apăsăți din nou în jos maneta frânei de motor pentru a porni produsul.	

Problemă	LED de eroare (număr de aprinderi intermitente)	Cauză	Soluție
Alte erori.	Dacă apar alte erori, rotiți cheia de siguranță la 0, scoateți bateria și contactați un agent de service autorizat.		

Transportul, depozitarea și eliminarea

Introducere



AVERTISMENT: Pentru a preveni pornirea accidentală în timpul transportului și depozitării, rotiți cheia de siguranță la 0, scoateți bateria și așteptați cel puțin 5 secunde.

Așezarea produsului în poziția pentru transport

- Împingeți maneta de reglare a înălțimii cu piciorul. (Fig. 37)
- Trageți în sus mânerul și scoateți maneta de reglare a înălțimii din canelură.
- Pliăți mânerul înainte până când ajunge la poziția de capăt. (Fig. 38)
- Pliăți maneta de reglare a înălțimii spre capacul de tăiere. (Fig. 39)
- Eliberați butoanele mânerului. (Fig. 40)
- Pliăți mânerul superior către spate. (Fig. 41)

Transportul

- Cerințele din legislația privind bunurile periculoase se aplică pentru bateriile Li-ion incluse.
- Pentru transporturile comerciale cerințele speciale de pe ambalaj și etichete trebuie respectate.
- Respectați cu atenție reglementările privind materialele periculoase atunci când pregătiți produsul pentru transport. Pot exista reglementări locale aplicabile.
- Înainte de transport scoateți întotdeauna bateria.
- Aplicați bandă pe bornele bateriei și asigurați-vă că aceasta nu se poate deplasa în timpul transportului.
- Fixați produsul în timpul transportului.

Depozitarea

- Înainte de a depozita produsul, lăsați-l să se răcească.
- Înainte de depozitare scoateți întotdeauna bateria.
- Pentru a preveni accidentele, asigurați-vă că bateria nu este conectată la produs în timpul depozitării.
- Păstrați încărcătorul într-un spațiu închis și uscat.

- Păstrați bateria și încărcătorul de baterie într-un spațiu uscat unde nu pătrunde umezeala sau înghețul.
- Deconectați bateria de la încărcător în timpul depozitării.
- Nu depozitați bateria într-un loc unde poate apărea electricitatea statică. Nu depozitați bateria într-o cutie metalică.
- Păstrați produsul într-un loc unde temperatura ambientă este între -10 și 40 °C.
- Păstrați bateria într-un loc unde temperatura este cuprinsă între 5 și 25 °C și departe de lumina soarelui.
- Păstrați încărcătorul de baterii într-un loc unde temperatura este cuprinsă între 5 și 45 °C și departe de lumina soarelui.
- Asigurați-vă că bateria este încărcată în proporție de 30% - 50% înainte de a o depozita pe o perioadă lungă.
- Păstrați produsul, bateria și încărcătorul de baterii într-un loc încuiat, la care nu au acces copiii și persoanele neavizate.
- Curățați produsul și asigurați-vă că colectorul de iarbă este gol.
- Efectuați procedurile de întreținere descrise în acest manual. Consultați Program de întreținere la pagina 323.
- Efectuați un service complet înainte de a depozita produsul pentru o perioadă lungă de timp.

Dezafectarea

Simbolurile de pe produs sau de pe ambalajul acestuia indică faptul că acest produs nu poate fi tratat ca deșeu menajer. Trebuie trimis la un centru de reciclare corespunzător pentru recuperarea echipamentelor electrice și electronice.

Asigurându-vă că aveți grijă de acest produs în mod corect, puteți contribui la neutralizarea impactului negativ potențial asupra mediului înconjurător și asupra persoanelor; în caz contrar, putând conduce la gestionarea incorectă a deșeurilor acestui produs. Pentru informații mai detaliate referitoare la reciclarea acestui produs, contactați autoritățile, serviciul pentru deșeurii menajere sau magazinul de unde ați achiziționat produsul.

(Fig. 42)

Date tehnice

	LB 144i
Motor de tăiere	
Tip de motor	BLDC (fără perii) de 36 V
Turația motorului – SavE, rpm	2600/min
Turația motorului - Valoarea nominală, rpm	3200/min
Turația motorului - Sarcină ridicată, rpm	3500/min
Putere motor – Valoare max., kW	0,9
Putere motor - Valoare nominală, kW	0,75
Motorul de antrenare	
Putere motor - Valoare nominală, kW	N/A
Viteză de deplasare independentă, km/h	N/A
Nivelurile de reglare a vitezei	N/A
Greutate	
Greutate (fără baterie), kg	15,5
Greutate (cu 1 baterie BLi30), kg	17,5
Baterie	
Tip de baterie	Serie baterie Husqvarna
Timp funcționare baterie	
Durata de utilizare a bateriei, minute, (funcționare liberă) cu funcția SavE activată, cu o baterie Husqvarna de 7,5 Ah (BLi30).	170
Durata de utilizare a bateriei, minute, (funcționare liberă) cu modul standard activat, cu o baterie Husqvarna de 7,5 Ah (BLi30).	135
Emisii de zgomot ⁵⁸	
Nivel de putere acustică, măsurat dB(A)	90
Nivel de putere acustică garantat L_{WA} dB(A)	92
Niveluri de zgomot ⁵⁹	
Nivel de presiune a sunetului la urechea operatorului, dB(A)	77
Niveluri de vibrații ⁶⁰	
Mâner, m/s^2	0,7
Accesorii de tăiere	

⁵⁸ Emisiile de zgomot în mediu măsurate ca putere acustică (L_{WA}) în conformitate cu directiva CE 2000/14/CE.

⁵⁹ Datele raportate pentru nivelul de presiune sonoră au un factor de incertitudine (K) de 1,5 dB(A).

⁶⁰ Datele raportate pentru nivelul de vibrații au un factor de incertitudine (K) de 1,5 m/s^2 . Valoarea totală a vibrației declarate a fost măsurată în concordanță cu standardul EN 62841-4-3, Anexa I și poate fi utilizată pentru compararea utilajelor, precum și în cadrul unei evaluări preliminare a expunerii.

	LB 144i
Înălțime de tăiere, mm	25-75
Lățime de tăiere, cm	44
Cuțit standard	Mărunțire 5298073-10
Cuțit accesoriu	N/A

Baterii aprobate	Tip	Capacitate baterie, Ah	Tensiune, V	Greutate, lb/kg
40-B140	Litiu-ion	4	36	2,6 / 1,2
BLi30	Litiu-ion	7,5	36	4,2 / 1,9

Încărcătoarele aprobate pentru bateriile specificate, BLi	Tensiune de intrare, V	Frecvență, Hz	Putere, W
40-C80	100-240	50-60	68,8
QC250	220-240	50	250

Declarație de conformitate

Declarație de conformitate UE

Noi, **Husqvarna AB**, SE-561 82 Huskvarna, Suedia, tel.:
+46-36-146500, declarăm pe propria răspundere, că
produsul:

Descriere	Mașină de tuns gazonul
Marcă	Husqvarna
Tip/Model	LB 144i
Identificare	Numerale de serie începând cu 2022

respectă în totalitate următoarele directive și
reglementări UE:

Reglementare	Descriere
2006/42/CE	„privind utilajele”
2014/30/UE	„aferentă compatibilității electromagnetice”
2000/14/CE	„privind emisiile de zgomot în mediul înconjurător”
2011/65/UE	„privind restricțiile de utilizare a anumitor substanțe periculoase în echipamentele electrice și electronice”

și că au fost aplicate următoarele standarde și/sau
specificații tehnice: EN 62841-1:2015/AC:2015, EN
IEC 62841-4-3:2021/A11:2021, EN ISO 12100:2010,
EN 55014-1:2021, EN 55014-2:2021, EN IEC
61000-6-2:2019, EN IEC 61000-6-3:2021, EN IEC
63000:2018

Organismul notificat: 0404, RISE SMP Svensk
Maskinprovning AB, Box 4053, SE-904 03 Umeå,
Sweden a certificat conformitatea cu directiva
2000/14/CE a consiliului, procedura de evaluare a
conformității: Anexa VI.

Pentru informații privind emisiile de zgomot, consultați
Date tehnice la pagina 327.

Huskvarna, 2022-12-05



Claes Losdal, Director de Dezvoltare / Produse de
grădinărit, Husqvarna AB

Responsabil pentru documentația tehnică



Содержание

Введение	330	Поиск и устранение неисправностей	342
Безопасность	331	Транспортировка, хранение и утилизация	344
Сборка	337	Технические данные	345
Эксплуатация	338	Декларация соответствия	348
Техническое обслуживание	340		

Введение

Описание изделия

Изделие представляет собой роторную газонокосилку с пешеходным управлением, которая использует BioClip для измельчения скошенной травы в удобрение.

Обзор изделия

(Рис. 1)

1. Рукоятка / рукоятка управления
2. Рукоятка моторного тормоза
3. Ограничитель запуска
4. Подъемные рукоятки
5. Режущая дека
6. Рычаг регулировки высоты кошения
7. Предохранительный ключ
8. Крышка аккумулятора
9. Скоба регулировки высоты рукоятки управления
10. Кнопка Save
11. Предупреждающий индикатор (светодиодный индикатор ошибки)
12. Руководство по эксплуатации
13. Зарядное устройство аккумулятора (принадлежность)
14. Аккумулятор (принадлежность)

Символы на изделии

(Рис. 2) ПРЕДУПРЕЖДЕНИЕ

(Рис. 3) Прочтите инструкции.

(Рис. 4) ПРЕДУПРЕЖДЕНИЕ: остерегайтесь отбрасываемых предметов.

(Рис. 5) Не допускайте приближения посторонних лиц.

(Рис. 6) ПРЕДУПРЕЖДЕНИЕ: не подносите руки и ноги к ножам.

(Рис. 7) ПРЕДУПРЕЖДЕНИЕ: перед техническим обслуживанием отсоедините аккумулятор.

Назначение

Используйте изделие для стрижки травы. Запрещается использовать изделие для других видов работ.

(Рис. 8) Запрещается утилизировать данное изделие и его упаковку в качестве бытовых отходов. Изделие необходимо передать в пункт переработки электрического и электронного оборудования.

(Рис. 9) Табличка с уровнем эмиссии шума в окружающую среду в соответствии с директивами и нормативами Европейского союза, Великобритании и законодательством Нового Южного Уэльса "Регламент 2017 года по защите окружающей среды (контроль уровня шума)". Гарантированный уровень мощности звука изделия указан в разделе Технические данные на стр. 345 и на табличке.

(Рис. 10) Данное оборудование отвечает требованиям соответствующих директив ЕС.

(Рис. 11) Данное изделие соответствует действующим директивам Великобритании.

(Рис. 12) Данное изделие имеет защиту от брызг.

(Рис. 13) Для остановки отпустите рукоятку моторного тормоза.

(Рис. 14) Сканируемый код.

Примечание: Другие символы/наклейки на изделии относятся к специальным требованиям сертификации на определенных рынках.

Ответственность изготовителя

В соответствии с законами об ответственности изготовителя мы не несем ответственности за ущерб, вызванный эксплуатацией нашего изделия в результате:

- ненадлежащего ремонта изделия;
- использования для ремонта изделия неоригинальных деталей или деталей, не одобренных производителем;

- использования неоригинальных дополнительных принадлежностей или принадлежностей, не одобренных производителем;
- ремонта изделия в неавторизованном сервисном центре или неквалифицированным специалистом;

Безопасность

Инструкции по технике безопасности

Предупреждения, предостережения и примечания используются для выделения особо важных пунктов руководства.



ПРЕДУПРЕЖДЕНИЕ:

Используется, когда несоблюдение инструкций руководства может привести к травмам или смерти оператора или находящихся рядом посторонних лиц.



ВНИМАНИЕ: Используется, когда несоблюдение инструкций руководства может привести к повреждению изделия, других материалов или прилегающей территории.

Примечание: Используется для предоставления дополнительных сведений о конкретной ситуации.

Общие меры предосторожности при работе с агрегатом



ПРЕДУПРЕЖДЕНИЕ:

Ознакомьтесь со всеми предупреждениями, инструкциями, иллюстрациями и положениями, касающимися техники безопасности и прилагаемыми к данному агрегату. Несоблюдение всех указанных ниже инструкций может привести к поражению электрическим током, пожару и/или тяжелым травмам.

Сохраните все предупреждающие указания и инструкции для последующего обращения. Под словом "агрегат" в данном документе понимается электрический агрегат, работающий от сети (проводной) либо от аккумулятора (беспроводной).

Техника безопасности на рабочем месте

- Рабочее место должно содержаться в чистоте и быть хорошо освещено. Загромождения или отсутствие освещения могут стать причиной несчастных случаев.
- Не пользуйтесь агрегатом во взрывоопасной атмосфере, например, в присутствии легковоспламеняющихся жидкостей, газов или пыли. Агрегат производит искры, которые могут воспламенить пыль или пары жидкостей.
- Не допускайте приближения детей и посторонних лиц к вам во время работы агрегата. Это может отвлечь ваше внимание и привести к потере управления.

Электрическая безопасность

- Вилка агрегата должна соответствовать электрической розетке. Запрещается изменять конструкцию вилки. Запрещается использовать переходники при работе с заземленными агрегатами. Отсутствие изменений в конструкции вилок и их соответствие розеткам снижает опасность поражения электрическим током.
- Избегайте контакта любых частей тела с заземленными поверхностями, такими как трубы, батареи отопления, кухонные плиты и холодильники. Заземление тела увеличивает риск поражения электрическим током.
- Не подвергайте агрегаты воздействию воды или высокой влажности. Попадание воды внутрь агрегата увеличивает риск поражения электрическим током.
- Используйте шнур только по прямому назначению. Никогда не носите и не тяните агрегат за шнур и не дергайте за него, чтобы выключить агрегат из розетки. Держите шнур вдали от источников тепла, масла, острых углов или движущихся деталей. Эксплуатация поврежденного или запутанного шнура увеличивает риск поражения электротоком.
- При работе с агрегатом вне помещений используйте подходящий удлинитель для наружных работ. Применение шнура, предназначенного для уличного использования,

снижает опасность поражения электрическим током.

- Если неизбежно требуется применение агрегата во влажной среде, используйте источник питания, оснащенный устройством защитного отключения (УЗО). Применение УЗО снижает опасность поражения электрическим током.

Личная безопасность

- При работе с агрегатом будьте бдительны, следите за своими действиями и руководствуйтесь здравым смыслом. Не используйте агрегат, если вы устали или находитесь под воздействием наркотических средств, алкоголя или лекарств. Малейшая невнимательность при работе с агрегатом может обернуться серьезными травмами.
- Пользуйтесь средствами индивидуальной защиты. Всегда носите защитные очки. Средства индивидуальной защиты, такие как респиратор, нескользящая защитная обувь, каска или средства защиты органов слуха, существенно снижают риск получения травм.
- Примите меры по предотвращению случайного включения агрегата. Перед подключением агрегата к источнику питания и/или аккумуляторному блоку, его подъемом или переноской убедитесь, что переключатель находится в выключенном положении. Не переносите агрегат, держа палец на переключателе, а также не подавайте питание на агрегаты с включенным переключателем, т.к. это может привести к несчастному случаю.
- Уберите все гаечные и регулировочные ключи, прежде чем включать агрегат. Ключ, оставленный на вращающейся части агрегата, может стать причиной травмы.
- Не вытягивайте руки с агрегатом слишком далеко. Всегда сохраняйте равновесие и устойчиво ставьте ноги. Это позволит лучше контролировать агрегат в случае возникновения непредвиденной ситуации.
- Надевайте соответствующую одежду. Не надевайте свободную одежду или украшения. Не допускайте попадания волос и одежды в движущиеся части агрегата. Свободная одежда, украшения или длинные волосы могут попасть в движущиеся части.
- Если агрегат может дополнительно оснащаться устройствами для сбора и удаления пыли, убедитесь, что они подключаются и используются надлежащим образом. Такие устройства способствуют снижению опасностей, связанных с наличием пыли.
- Не допускайте, чтобы чувство уверенности, приобретенное вследствие частого использования агрегата, позволило вам забыть об опасностях и игнорировать принципы обеспечения безопасности. Неосторожные

действия могут привести к тяжелой травме за долю секунды.

Эксплуатация агрегата и уход за ним

- Не перегружайте агрегат. Убедитесь, что агрегат подходит для выполнения конкретной задачи. Правильно подобранный агрегат лучше и надежнее справится с задачей, соответствующей его конструктивным характеристикам.
- Не пользуйтесь агрегатом, если его переключатель не работает. Если управление агрегатом с помощью переключателя невозможно, такой агрегат представляет опасность и подлежит обязательному ремонту.
- Прежде чем производить какую-либо настройку агрегата, заменять принадлежности или убирать его на хранение, отключите агрегат от источника питания и/или снимите аккумуляторный блок (если снимается). Эти меры предосторожности позволяют исключить риск случайного включения агрегата.
- Храните неиспользуемые агрегаты в недоступном для детей месте и не позволяйте работать с агрегатом лицам, не ознакомленным с ним и с данными правилами техники безопасности. Агрегаты в руках неопытных пользователей являются источником опасности.
- Поддерживайте агрегат и принадлежности в надлежащем состоянии. Проверяйте точность настройки и отсутствие заедания движущихся частей, отсутствие поломанных деталей и иных неисправностей, которые могут нарушить работу агрегата. В случае обнаружения какой-либо неисправности устраните ее перед использованием агрегата. Многие несчастные случаи возникают из-за недостаточно тщательного ухода за агрегатами.
- Поддерживайте остроту и чистоту режущих инструментов. Исправные режущие инструменты с острыми режущими кромками меньше подвержены поломкам и более просты в управлении.
- Используйте агрегат, принадлежности, наконечники и т. д. в соответствии с данными инструкциями, принимая во внимание условия работы и специфику выполняемой задачи. Применение агрегата не по назначению может создать опасные ситуации
- Рукоятки и поверхности захвата должны быть сухими и чистыми, без следов масла и смазки. Скользкие рукоятки и поверхности захвата препятствуют безопасному обращению и управлению агрегатом в непредвиденных ситуациях.

Эксплуатация и обслуживание аккумуляторного инструмента

- Выполняйте подзарядку только с помощью зарядного устройства, указанного производителем. Зарядное устройство,

подходящее для одного типа блока аккумуляторов, может создать опасность возгорания при использовании с блоком аккумуляторов другого типа.

- **Используйте оборудование только со специально предназначенными блоками аккумуляторов.** Использование других блоков аккумуляторов может создать опасность травмы или возгорания.
- **Когда блок аккумуляторов не используется, храните его вдали от других металлических предметов, таких как скрепки, монеты, ключи, гвозди, винты или прочие мелкие предметы, которые могут замкнуть клеммы аккумулятора.** Замыкание клемм аккумулятора может привести к ожогам или пожару.
- **При неправильном обращении из аккумулятора может вытечь жидкость; не допускайте контакта с вытекшей жидкостью.** При случайном прикосновении промойте место соприкосновения водой. При попадании жидкости в глаза обратитесь за медицинской помощью. Вытекшая из аккумулятора жидкость может привести к раздражению или ожогу.
- **Запрещается использовать блок аккумуляторов или инструмент, если они повреждены или модифицированы.** Поврежденные или подвергнутые модификации аккумуляторы могут работать неисправно, что приведет к возникновению пожара, взрыва или риску травм.
- **Не подвергайте блок аккумуляторов или инструмент воздействию огня или чрезмерно высоким температур.** Воздействие огня или температуры выше 130°C / 265°F может привести к взрыву.
- **Точно следуйте всем инструкциям по зарядке и ни в коем случае не заряжайте блок аккумуляторов или инструмент при температуре, выходящей за пределы указанного в инструкциях диапазона.** Ненадлежащая зарядка или зарядка при температуре выше или ниже указанного диапазона может привести к повреждению аккумулятора и повышенному риску пожара.

Сервисное обслуживание

- **Сервисное обслуживание агрегата должны выполнять квалифицированные специалисты по ремонту оборудования с использованием только идентичных запчастей.** Это гарантирует безопасность эксплуатации агрегата.
- **Никогда не выполняйте обслуживание поврежденных аккумуляторных блоков.** Обслуживание аккумуляторных блоков должно выполняться только производителем или специалистами авторизованных сервисных центров.

Меры предосторожности при эксплуатации газонокосилки

- **Не используйте газонокосилку в плохих погодных условиях, особенно если существует риск**

удара молнии. Это позволяет уменьшить риск поражения молнией.

- **Внимательно осмотрите участок, где будет использоваться газонокосилка, на наличие диких животных.** Во время работы газонокосилка может травмировать диких животных.
- **Внимательно осмотрите место эксплуатации газонокосилки, уберите все камни, палки, провода, кости и прочие посторонние предметы.** Отбрасываемые предметы могут стать причиной травмы.
- **Каждый раз перед эксплуатацией газонокосилки осматривайте нож и его крепление на наличие износа и повреждений.** Поврежденные или изношенные детали повышают риск получения травмы.
- **Регулярно проверяйте травосборник на наличие износа или повреждений.** Поврежденный или изношенный травосборник повышает риск получения травмы.
- **Кожухи должны быть всегда установлены.** Кожухи должны быть исправны и установлены надлежащим образом. Незакрепленный, поврежденный или неправильно используемый кожух может стать причиной травмы.
- **Следите за тем, чтобы на воздуховозборниках не было загрязнений.** Засоренные воздуховозборники и мусор могут привести к перегреву или возгоранию.
- **При работе с газонокосилкой всегда надевайте защитную обувь с нескользящей подошвой.** Запрещается работать с газонокосилкой босиком или в открытой обуви. Эта мера необходима для снижения вероятности получения травм ног от контакта с вращающимся ножом.
- **При эксплуатации газонокосилки обязательно надевайте длинные брюки.** Непокрытые участки тела подвержены большому риску получения травмы от отбрасываемых предметов.
- **Запрещается эксплуатировать газонокосилку на влажной траве.** Во время эксплуатации изделия следует идти, ни в коем случае не бежать. Это снижает риск поскользывания и падения и, как следствие, получения травм.
- **Не используйте газонокосилку на очень крутых склонах.** Это снижает риск потери управления, поскользывания и падения и, как следствие, получения травм.
- **При работе на склонах всегда сохраняйте устойчивое положение, перемещайтесь поперек склона, никогда не двигайтесь вверх или вниз и будьте предельно осторожны при изменении направления движения.** Это снижает риск потери управления, поскользывания и падения и, как следствие, получения травм.
- **Будьте особенно внимательны при перемещении газонокосилки назад или на себя.** Всегда следите за окружающей обстановкой. Это снижает риск спотыкания во время работы.

- Не прикасайтесь к ножам и другим опасным движущимся частям, пока они находятся в движении. Это снижает риск получения травм от движущихся частей.
- Перед удалением застрявшего материала или очисткой изделия убедитесь, что все переключатели питания отключены и шнур питания отсоединен. Неожиданное срабатывание газнокосилки может привести к серьезной травме.

Устройство защитного отключения

- Используйте устройство защитного отключения с током отключения не более 30 мА.

Общие инструкции по технике безопасности



ПРЕДУПРЕЖДЕНИЕ: В обязательном порядке прочитайте следующие инструкции по технике безопасности, прежде чем приступить к эксплуатации агрегата.

- При небрежном или неправильном обращении агрегат может представлять собой опасность. Несоблюдение инструкций по технике безопасности может привести к травмам или смерти.
- Во время работы данный агрегат создает электромагнитное поле. В определенных обстоятельствах это поле может создавать помехи для пассивных и активных медицинских имплантатов. В целях снижения риска серьезной или смертельной травмы лицам с медицинскими имплантатами рекомендуется проконсультироваться с врачом и изготовителем имплантата, прежде чем приступить к эксплуатации данного агрегата.
- Всегда соблюдайте осторожность и руководствуйтесь здравым смыслом. Если вы не уверены, как правильно эксплуатировать агрегат в определенной ситуации, прекратите работу и проконсультируйтесь со своим дилером Husqvarna, прежде чем продолжать.
- Помните: ответственность за аварии, угрожающие другим людям или их имуществу, несет оператор.
- Содержите агрегат в чистоте. Следите за тем, чтобы знаки и наклейки были легко читаемыми.
- Ни в коем случае не позволяйте использовать оборудование детям или лицам, не ознакомившимся с данными инструкциями. Допустимый возраст пользователя может быть ограничен местным законодательством.
- Не оставляйте без присмотра людей с физическими или умственными нарушениями, использующих агрегат. Они должны постоянно находиться под присмотром взрослого.

- Ни в коем случае не используйте агрегат, если вы устали, больны или находитесь под воздействием алкоголя, наркотических веществ или лекарственных препаратов. Это может повлиять на ваше зрение, реакцию, координацию или оценку действительности.
- Запрещается использовать агрегат, если он поврежден.
- Запрещается вносить изменения в агрегат или использовать его, если вы подозреваете, что конструкция была модифицирована другими лицами.

Техника безопасности



ПРЕДУПРЕЖДЕНИЕ: В обязательном порядке прочитайте следующие инструкции по технике безопасности, прежде чем приступить к эксплуатации агрегата.

- Агрегат предназначен исключительно для скашивания травы на газонах. Запрещается использовать агрегат не по назначению.
- Пользуйтесь средствами индивидуальной защиты. См. раздел Средства индивидуальной защиты на стр. 335.
- Убедитесь, что вы знаете, как быстро остановить двигатель в аварийной ситуации.
- Запрещается эксплуатировать агрегат под дождем или в условиях высокой влажности. При попадании воды внутрь агрегата повышается риск поражения электрическим током.
- Ни в коем случае не используйте агрегат с отсутствующими или неправильно установленными кожухами или ножом. Неправильно установленный нож может высвободиться и причинить травму.
- Следите за тем, чтобы в нож не попали посторонние предметы, например, камни и корни. Это может затупить нож и привести к искривлению вала двигателя. При сгибании оси увеличивается уровень вибрации, что может привести к снижению надежности крепления ножа.
- В случае удара ножа об посторонний предмет или возникновения вибрации незамедлительно остановите агрегат. Остановите двигатель, поверните предохранительный ключ в положение "0" и снимите аккумулятор. Дождитесь остановки движущихся частей. Проверьте агрегат на наличие повреждений. Затяните ослабленные детали. Выполните ремонт и замену поврежденных деталей. Обратитесь в авторизованный сервисный центр для выполнения ремонта.
- Во время работы двигателя не прижимайте рукоятку моторного тормоза к рукоятке агрегата на длительный период времени.

- При запуске агрегат должен находиться на устойчивой, ровной поверхности. Убедитесь, что нож не касается грунта или любого другого предмета.
- При работе с агрегатом всегда стойте сзади.
- При работе с агрегатом все колеса должны стоять на земле; держите рукоятку обеими руками. Не приближайте руки или ноги к вращающимся ножам.
- Не наклоняйте агрегат при запуске двигателя или во время работы.
- Соблюдайте осторожность, когда тянете агрегат назад.
- Запрещается поднимать агрегат во время работы двигателя. В случае необходимости поднять агрегат сначала выключите двигатель, поверните предохранительный ключ в положение "0" и извлеките аккумулятор.
- Запрещается двигаться назад при работе с агрегатом.
- Остановите двигатель, если необходимо наклонить агрегат для транспортировки или перед перемещением по участкам без травы, например по дорожкам из гравия, камня или асфальта.
- Запрещается бегать с агрегатом во время работы двигателя. Работайте с агрегатом в спокойном темпе.
- Выключайте двигатель, прежде чем изменить высоту стрижки. Ни в коем случае не выполняйте регулировку при работающем двигателе.
- Ни в коем случае не выпускайте из вида агрегат с работающим двигателем. Остановите двигатель и убедитесь, что режущее оборудование не вращается.
- Вибрации агрегата во время работы могут отличаться от заявленного значения, приведенного в разделе Технические данные на стр. 345. Эта разница объясняется зависимостью уровня вибрации от условий эксплуатации агрегата. При частом или продолжительном использовании агрегата регулярно делайте перерывы во избежание травм от вибрации.

Инструкции по безопасности во время эксплуатации

Средства индивидуальной защиты



ПРЕДУПРЕЖДЕНИЕ: в обязательном порядке прочитайте следующие инструкции по технике безопасности, прежде чем приступить к эксплуатации агрегата.

- Средства индивидуальной защиты не могут полностью исключить риск получения травмы, но при несчастном случае они снижают тяжесть

травмы. За помощью по правильному выбору оборудования обращайтесь к дилеру.

- Используйте прочные, противоскользящие ботинки. Запрещается надевать открытую обувь или работать босиком.
- Надевайте прочные длинные брюки.
- При необходимости надевайте защитные перчатки, например, при закреплении, проверке или очистке режущего оборудования.
- Рекомендуется использовать защитные наушники.

Защитные устройства на агрегате



ПРЕДУПРЕЖДЕНИЕ: в обязательном порядке прочитайте следующие инструкции по технике безопасности, прежде чем приступить к эксплуатации агрегата.

- Запрещается использовать агрегат с неисправными защитными устройствами.
- Не вносите никакие изменения в защитные устройства и не снимайте их.
- Регулярно выполняйте проверку защитных устройств. Если защитные устройства неисправны, обратитесь в сервисный центр Husqvarna.

Проверка режущей деки

Режущая дека снижает уровень вибрации изделия и риск травмирования ножом.

- Проверьте режущую деку и убедитесь, что на ней отсутствуют повреждения, такие как трещины.

Проверка предохранительного ключа

Предохранительный ключ расположен под крышкой аккумулятора. Предохранительный ключ подключает аккумулятор, от которого на двигатель поступает питание.

- Чтобы проверить работу предохранительного ключа, запустите и остановите двигатель.
- Если ключ исправен, то двигатель можно запустить только при переводе ключа в положение "1". (Рис. 15)

Проверка рукоятки моторного тормоза

Рукоятка моторного тормоза предназначена для остановки двигателя. При отпускании рукоятки тормоза двигатель останавливается.

- Запустите агрегат. См. раздел Запуск изделия на стр. 339.
- Отпустите рукоятку моторного тормоза. (Рис. 16)
- Убедитесь, что агрегат остановился. Если двигатель не остановится через 3 секунды, обратитесь в авторизованный сервисный центр Husqvarna для регулировки моторного тормоза.

Проверка работы ограничителя запуска

Проверьте ограничитель запуска и убедитесь, что он блокирует работу двигателя.

1. Прижмите рукоятку моторного тормоза в направлении рукоятки агрегата. Ограничитель запуска остановит движение рукоятки.
2. Поверните ограничитель запуска в направлении, указанном стрелкой. (Рис. 17)
3. Разблокируйте ограничитель запуска и убедитесь, что он возвращается в исходное положение.

Техника безопасности при работе с аккумулятором



ПРЕДУПРЕЖДЕНИЕ: в

обязательном порядке прочитайте следующие инструкции по технике безопасности, прежде чем приступить к эксплуатации агрегата.

- Используйте перезаряжаемые аккумуляторы Husqvarna только с теми агрегатами Husqvarna, для которых они предназначены. Во избежание травм запрещается использовать аккумулятор в качестве источника питания других агрегатов.
- Запрещается использовать одноразовые батарейки.
- Риск поражения электрическим током. Не допускайте соприкосновения клемм аккумулятора с ключами, монетами, винтами или другими металлическими предметами. Это может привести к короткому замыканию аккумулятора.
- Не размещайте посторонние предметы на воздухозаборниках аккумулятора.
- Аккумулятор не должен подвергаться воздействию солнечного света, тепла или открытого пламени. Аккумулятор может взорваться, став причиной ожогов, в том числе химических.
- Защищайте аккумулятор от дождя и сырости.
- Не подвергайте аккумулятор воздействию микроволн и высокого давления.
- Не пытайтесь разбирать или ломать аккумулятор.
- При возникновении утечки из аккумулятора не допускайте попадания жидкости на кожу или в глаза. Если вы прикоснулись к жидкости, промойте участок контакта большим количеством воды и обратитесь за медицинской помощью.
- Используйте аккумулятор в агрегате только при температуре окружающей среды в диапазоне от 5 до 40 °С.
- Используйте зарядное устройство только при температуре окружающей среды в диапазоне от 5 до 40 °С.
- Аккумулятор не будет заряжаться, если его температура превышает 50 °С.

- Очистка аккумулятора или зарядного устройства водой запрещена. См. раздел Очистка аккумулятора и зарядного устройства на стр. 341.
- Запрещается использовать неисправный или поврежденный аккумулятор.
- Храните аккумуляторы вдали от металлических предметов, таких как гвозди, монеты или ювелирные изделия.

Техника безопасности при работе с зарядным устройством аккумулятора



ПРЕДУПРЕЖДЕНИЕ: в

обязательном порядке прочитайте следующие инструкции по технике безопасности, прежде чем приступить к эксплуатации агрегата.

- Для зарядки перезаряжаемых аккумуляторов Husqvarna используйте только зарядные устройства QC.
- Риск поражения электрическим током или короткого замыкания. Не размещайте посторонние предметы на воздухозаборниках зарядного устройства. Не пытайтесь разбирать зарядное устройство. Ни в коем случае не подключайте клеммы зарядного устройства к металлическим предметам. Используйте одобренные сетевые розетки.
- Во время работы данный агрегат создает электромагнитное поле. В определенных обстоятельствах это поле может создавать помехи для пассивных и активных медицинских имплантатов. В целях снижения риска серьезной или смертельной травмы лицам с медицинскими имплантатами рекомендуется проконсультироваться с врачом и изготовителем имплантата, прежде чем приступить к эксплуатации данного агрегата.
- Регулярно проверяйте кабель питания зарядного устройства на наличие повреждений или трещин.
- Не поднимайте зарядное устройство за кабель питания. Для отсоединения зарядного устройства от сетевой розетки потяните за вилку. Не тяните за шнур питания.
- Не допускайте контакта кабеля питания и удлинителя с водой, маслом или с острыми краями. Убедитесь, что кабель не пережат дверью, калиткой и т.д. В противном случае зарядное устройство может оказаться под напряжением.
- Запрещается чистить аккумулятор и зарядное устройство водой.
- Дети старше 8 лет и лица с ограниченными физическими, сенсорными или умственными способностями или недостатком опыта и знаний могут использовать зарядное устройство только под надзором или в случае предоставления инструкций относительно безопасной эксплуатации оборудования и

возможных рисков. Не позволяйте детям играть с зарядным устройством. Очистка и техническое обслуживание пользователем не должны проводиться детьми без надзора.

- Не пытайтесь заряжать одноразовые аккумуляторные батареи в зарядном устройстве.
- Запрещается использовать зарядное устройство вблизи легковоспламеняющихся материалов и материалов, которые вызывают коррозию. Не накрывайте зарядное устройство. Вытащите вилку зарядного устройства из розетки в случае появления дыма или огня.
- Запрещается использовать неисправное или поврежденное зарядное устройство.
- Заряжайте аккумулятор только в хорошо проветриваемом помещении вдали от солнечных лучей. Запрещается заряжать аккумулятор в условиях высокой влажности.

Инструкции по технике безопасности во время технического обслуживания



ПРЕДУПРЕЖДЕНИЕ:

в обязательном порядке прочитайте следующие инструкции по технике безопасности, прежде чем приступать к эксплуатации агрегата.

- Во избежание случайного запуска во время обслуживания поверните предохранительный ключ в положение "0" и извлеките аккумулятор. Подождите не менее 5 секунд, прежде чем приступить к обслуживанию.
- Выполняйте техобслуживание строго в соответствии с инструкциями, приведенными в

руководстве по эксплуатации. Более масштабные работы по обслуживанию и профессиональному ремонту должны выполняться специалистами авторизованного сервисного центра. Для получения дополнительной информации обратитесь в ближайшее представительство компании.

- Чтобы продлить срок службы агрегата и снизить вероятность несчастных случаев, соблюдайте все требования к проведению обслуживания.
- Замените поврежденные, сломанные или изношенные детали. Всегда используйте оригинальные запчасти от производителя. Другие запчасти могут привести к повреждению агрегата и повысить риск несчастных случаев.
- Во избежание травм не вносите никакие изменения в защитные устройства и не снимайте их.
- При работе с режущим оборудованием используйте прочные перчатки. Нож очень острый, что при неосторожном обращении может легко привести к порезам.
- Для повышения качества и безопасности работы регулярно затачивайте и чистите режущие кромки.
- Регулярно обращайтесь в сервисный центр для проверки агрегата и выполнения необходимых регулировок и ремонта.
- Соблюдайте указания по замене принадлежностей. Пользуйтесь только оригинальными принадлежностями.
- Храните агрегат, аккумулятор и зарядное устройство по отдельности в сухом помещении под замком. Не допускайте к агрегату, аккумулятору и зарядному устройству детей и лиц, не имеющих соответствующего разрешения.

Сборка

Введение



ПРЕДУПРЕЖДЕНИЕ: Прежде чем выполнять сборку изделия, прочитайте раздел, посвященный технике безопасности.



ПРЕДУПРЕЖДЕНИЕ: Во избежание случайного запуска во время сборки переведите предохранительный ключ в положение "0", извлеките аккумулятор и подождите не менее 5 секунд.

2. Затяните регуляторы рукоятки. (Рис. 18)
3. Потяните рукоятку назад, пока она не окажется в крайнем положении.
4. Опустите вниз скобу регулировки высоты и поместите ее в углубление. (Рис. 19)
5. Прижмите скобу регулировки высоты ногой. (Рис. 20)

Регулировка рукоятки по высоте

1. Надавите ногой на скобу регулировки высоты.
2. Установите рукоятку управления в нужное положение и отпустите ее. (Рис. 21)

Сборка рукоятки

1. Сложите верхнюю рукоятку вперед.

Эксплуатация

Введение



ПРЕДУПРЕЖДЕНИЕ: Перед эксплуатацией прибора необходимо внимательно изучить раздел безопасности.

Husqvarna Connect

Husqvarna Connect представляет собой бесплатное приложение для мобильного устройства. Приложение Husqvarna Connect позволяет пользоваться расширенными функциями вашего изделия Husqvarna:

- Дополнительная информация об изделии.
- Сведения о деталях и помощь в техническом обслуживании.

Как начать использовать Husqvarna Connect

1. Загрузите приложение Husqvarna Connect на свое мобильное устройство.
2. Зарегистрируйтесь в приложении Husqvarna Connect.
3. Выполните пошаговые инструкции в приложении Husqvarna Connect для подключения и регистрации изделия.

Установка изделия в рабочее положение

1. Установите рукоятку. См. раздел Сборка рукоятки на стр. 337.
2. Отрегулируйте рукоятку по высоте. См. раздел Регулировка рукоятки по высоте на стр. 337.



ВНИМАНИЕ: Убедитесь, что кабели не натянуты слишком сильно. Если кабель натянут слишком сильно, он может быть поврежден при складывании рукоятки в положение для транспортировки.



ПРЕДУПРЕЖДЕНИЕ: Не используйте изделие, если рукоятка не поднята полностью вверх и не установлена в одно из положений регулировки по высоте. См. раздел Регулировка рукоятки по высоте на стр. 337.

Регулировка высоты кошения

Существует 6 ступеней регулировки высоты кошения.

1. Остановите двигатель.
2. Переведите рычаг регулировки высоты кошения назад, чтобы увеличить высоту кошения. (Рис. 22)
3. Переведите рычаг регулировки высоты кошения вперед, чтобы уменьшить высоту кошения.



ВНИМАНИЕ: Не устанавливайте высоту кошения на слишком низкий уровень. Ножи могут ударяться о землю, если поверхность газона неровная.

Аккумулятор



ПРЕДУПРЕЖДЕНИЕ: Перед эксплуатацией аккумулятора ознакомьтесь с разделом, посвященным безопасности, и усвойте его содержание. Прочтите и усвойте также все сведения, приведенные в руководстве по эксплуатации аккумулятора и зарядного устройства.

Храните аккумулятор и зарядное устройство при допустимой температуре окружающей среды.

	Температура окружающей среды
Эксплуатация аккумулятора	от 5 до 40 °C
Зарядка аккумулятора	от 5 до 40 °C

Состояние аккумуляторной батареи

Дисплей отображает оставшуюся емкость аккумуляторной батареи и наличие в ней неполадок. Емкость аккумулятора отображается на дисплее в течение 5 секунд после отключения машины или после нажатия кнопки-индикатора аккумулятора. Предупреждающий знак на аккумуляторной батарее загорается в случае возникновения ошибки. См. Аккумулятор на стр. 342.

(Рис. 23)

Светодиодные индикаторы	Состояние аккумуляторной батареи
Все светодиоды горят	Аккумулятор полностью заряжен (75 - 100 %).

Светодиодные индикаторы	Состояние аккумуляторной батареи
Светодиоды 1, 2, 3 горят.	Заряд аккумулятора — 50 - 75 %.
Светодиоды 1, 2 горят.	Заряд аккумулятора — 25 - 50 %.
Светодиод 1 горит.	Заряд аккумулятора — 0 - 25 %.
Светодиод 1 мигает.	Аккумулятор разряжен. Зарядите аккумуляторную батарею.

Зарядка аккумулятора

Зарядите аккумулятор перед первым использованием. Поставляемый аккумулятор заряжен только на 30%.

Примечание: Подсоедините зарядное устройство к сети питания с напряжением и частотой, указанными на паспортной табличке.

Зарядка не выполняется, если температура аккумулятора превышает 50°C. Прежде чем начать зарядку, зарядное устройство охлаждает аккумулятор до приемлемой температуры.

1. Вставьте один конец силового кабеля зарядного устройства в гнездо зарядного устройства.
2. Второй конец силового кабеля зарядного устройства вставьте в заземленную розетку сети электропитания. Светодиод на зарядном устройстве мигнет зеленым цветом один раз. (Рис. 24)
3. Вставьте аккумулятор в зарядное устройство. При правильном подключении аккумулятора к зарядному устройству загорается индикатор зеленого цвета. (Рис. 25)
4. Когда на аккумуляторе загорятся все светодиоды, это означает полную зарядку. Длительность зарядки аккумулятора не должна превышать 24 часа.
5. Чтобы отсоединить зарядное устройство от розетки, потяните не за кабель, а за штекер.
6. Извлеките аккумулятор из зарядного устройства.

Состояние зарядки аккумуляторной батареи

Литиево-ионные аккумуляторные батареи Husqvarna можно использовать при любом уровне заряда. Аккумулятор не поврежден. Полностью заряженный аккумулятор не разряжается, даже если оставить его в зарядном устройстве.

Светодиодный дисплей	Состояние процесса зарядки
Светодиод 1 мигает.	0%-25%
Светодиод 1 горит, светодиод 2 мигает.	25%-50%
Светодиоды 1, 2 горят, светодиод 3 мигает.	50%-75%
Светодиоды 1, 2, 3 горят, светодиод 4 мигает.	75%-100%
Горят светодиоды 1, 2, 3, 4	Полный уровень заряда

Запуск изделия

1. Откройте крышку аккумулятора.
2. Вставьте заряженный аккумулятор в держатель.
3. Переведите предохранительный ключ в положение "1". (Рис. 26)
4. Встаньте позади изделия.
5. Разблокируйте ограничитель запуска. (Рис. 17)
6. Прижмите рукоятку моторного тормоза в направлении рукоятки управления. (Рис. 27)

Использование функции SaveE™

На агрегате предусмотрена функция экономии заряда аккумулятора (SaveE™), которая продлевает время работы.

- Нажмите на часть кнопки SaveE™ с "1" для включения функции. (Рис. 28)
- Нажмите на часть кнопки SaveE™ с "0" для выключения функции.

Примечание: Функция SaveE™ автоматически отключается в тех случаях, когда состояние грунта требует более высокой мощности. Функция SaveE™ автоматически возобновляет работу, когда это позволяет состояние грунта.

Функция высокой нагрузки

При стрижке высокой или влажной травы двигатель автоматически увеличивает число оборотов. Когда надобность в высокой нагрузке отпадает, двигатель возвращается в стандартный режим работы.

Остановка двигателя

Во время работы нож и двигатель могут временно остановиться из-за помех, например из-за скопления травы под кожухом режущего оборудования. Если это происходит и вы держите рукоятку моторного тормоза прижатой, изделие автоматически перезапустится. Если изделие не перезапускается в течение 5–10 секунд, возможно, необходимо очистить область под кожухом

режущего оборудования. См. раздел Очистка изделия на стр. 341.



ПРЕДУПРЕЖДЕНИЕ: Если двигатель останавливается, изделие автоматически пытается перезапуститься в течение 5–10 секунд. Подождите не менее 15 секунд, прежде чем проверять кожу режущего оборудования.



ПРЕДУПРЕЖДЕНИЕ: Перед проверкой кожу режущего оборудования отпустите рукоятку моторного тормоза, поверните предохранительный ключ в положение "0", извлеките аккумулятор и подождите не менее 5 секунд. При случайном запуске изделия во время удаления помехи существует риск получения травмы.

Остановка агрегата



ПРЕДУПРЕЖДЕНИЕ: Прежде чем оставить агрегат без присмотра, переведите предохранительный ключ в положение "0".

1. Отпустите рукоятку моторного тормоза, чтобы остановить двигатель. (Рис. 29)
2. Откройте крышку аккумулятора и поверните предохранительный ключ в положение "0". (Рис. 30)

3. Чтобы извлечь аккумулятор, нажмите на 2 кнопки фиксатора и извлеките аккумулятор. (Рис. 31)
4. Зарядите аккумулятор с низким уровнем зарядки. Дополнительную информацию см. в разделе Зарядка аккумулятора на стр. 339.

Достижение оптимальных результатов

- Всегда пользуйтесь хорошо заточенным ножом. Затупившийся нож будет стричь траву неровно, и в месте среза трава будет желтеть. При использовании острого ножа также затрачивается меньше энергии, чем при работе с затупившимся ножом.
- Не срезайте более $\frac{1}{2}$ всей длины травы. Выполните первую стрижку на большей высоте. Проверьте полученный результат и уменьшите высоту стрижки до необходимого уровня. Если трава высокая, передвигайте газонокосилку медленно и, при необходимости, используйте газонокосилку 2 раза.
- Если вы хотите избежать образования полос на вашем газоне, следует каждый раз стричь его в разных направлениях.
- Следите за чистотой режущей деки. Скопление травы и грязи на внутренней стороне режущей деки может привести к ухудшению качества кошения. См. раздел Очистка изделия на стр. 341.

Техническое обслуживание

Вводная информация



ПРЕДУПРЕЖДЕНИЕ: Перед выполнением техобслуживания необходимо внимательно изучить и понять информацию в раздел по технике безопасности.

Для выполнения любых работ по сервисному обслуживанию и ремонту изделия необходимо пройти специальное обучение. Мы гарантируем доступность услуг по профессиональному ремонту и сервисному обслуживанию. Если ваш дилер не предоставляет услуги сервисного обслуживания,

обратитесь к нему для получения информации о ближайшем сервисном центре.

Дополнительную информацию см. в разделе www.husqvarna.com.

График технического обслуживания

График технического обслуживания составлен исходя из ежедневного использования изделия. Если изделие не используется ежедневно, интервалы техобслуживания изменятся.

Инструкции по техническому обслуживанию, отмеченному знаком *, см. в разделе Безопасность на стр. 331.

	При каждом использовании	Ежемесячно	Каждый сезон
Выполните общий осмотр.	X		

	При каждом использовании	Ежемесячно	Каждый сезон
Очистите изделие.	X		
Очистите область вокруг скобы регулировки высоты рукоятки.	X		
Проверьте работу ограничителя запуска. *	X		
Убедитесь, что защитные устройства изделия не повреждены. *	X		
Проверьте режущее оборудование.	X		
Проверьте кожу режущего оборудования. *	X		
Проверьте рукоятку моторного тормоза. *	X		
Проверьте аккумулятор на наличие повреждений.	X		
Проверьте уровень заряда аккумулятора.	X		
Проверьте работу кнопок фиксатора и надежность установки аккумулятора в изделии.	X		
Проверьте состояние и правильность работы зарядного устройства.		X	
Проверьте соединения между аккумулятором и изделием. Проверьте также соединения между аккумулятором и зарядным устройством.			X

Выполнение общего осмотра

- Проверьте затяжку гаек и винтов на изделии.
- Убедитесь, что расположение кабелей не допускает возможности их повреждения.

Очистка изделия

- Очистите пластмассовые детали чистой и сухой тканью.
- Не используйте воду для очистки изделия от загрязнений. Попадание воды в аккумулятор или двигатель может вызвать короткое замыкание или повредить изделие.
- Не используйте моечный агрегат высокого давления для очистки изделия.
- Не направляйте струю воды непосредственно на двигатель.
- Используйте щетку для удаления листьев, травы и грязи.

Очистка аккумулятора и зарядного устройства



ПРЕДУПРЕЖДЕНИЕ: Очистка аккумулятора или зарядного устройства водой запрещена.



ПРЕДУПРЕЖДЕНИЕ: Не используйте химические реагенты для очистки аккумулятора.

- Прежде чем устанавливать аккумулятор в зарядное устройство, убедитесь, что аккумулятор и зарядное устройство чистые и сухие.
- Используйте для очистки клемм аккумулятора сжатый воздух или мягкую и сухую ткань.
- Очистите поверхности аккумулятора и зарядного устройства мягкой и сухой тканью.

Очистка области вокруг скобы регулировки высоты рукоятки

- Используйте щетку для удаления листьев, травы и грязи.

(Рис. 32)

Проверка режущего оборудования



ПРЕДУПРЕЖДЕНИЕ: Во избежание случайного запуска переведите предохранительный ключ в положение "0", извлеките аккумулятор и подождите не менее 5 секунд.



ПРЕДУПРЕЖДЕНИЕ: Надевайте защитные перчатки при техобслуживании режущего оборудования. Нож очень острый, что при неосторожном обращении может легко привести к порезам.

1. Проверьте режущее оборудование на наличие повреждений или трещин. Всегда заменяйте поврежденное режущее оборудование.
2. Осмотрите нож на наличие повреждений или следов притупления.
3. Проверьте опору и болт ножа на наличие повреждений.
4. Осмотрите вал двигателя на наличие деформаций.
5. При установке нового ножа находящиеся под углом края должны быть обращены в направлении кожуха режущего оборудования. (Рис. 35)
6. Убедитесь, что нож выставлен по центру вала двигателя.
7. Заблокируйте нож деревянным бруском. Установите пружинную шайбу и затяните болт с шайбой моментом 23–28 Н·м. (Рис. 36) (Рис. 34)
8. Проверните нож рукой и убедитесь, что он свободно вращается.

Примечание: После заточки ножа необходимо выполнить его балансировку. Обратитесь в сервисный центр для выполнения заточки, замены и балансировки ножа. При столкновении с препятствием, которое привело в остановку изделия, замените поврежденный нож. Сервисный центр должен определить, следует ли заточить нож или лучше его заменить.

Замена ножа

См. раздел Технические данные на стр. 345 , где приведены сведения о подходящем типе ножа.



ПРЕДУПРЕЖДЕНИЕ:

Заблокируйте нож деревянным бруском, чтобы избежать травм пальцев при замене ножа. Нож может сместиться при выключенном двигателе, в результате чего пальцы могут застрять между ним и неподвижными деталями.

1. Заблокируйте нож деревянным бруском. (Рис. 33)



ПРЕДУПРЕЖДЕНИЕ:

Используйте прочные защитные перчатки. Нож очень острый, и при неосторожном обращении он может легко привести к порезам.

9. Запустите изделие, чтобы проверить работу ножа. Если нож установлен неправильно, вы ощутите вибрацию изделия или результат кошения будет неудовлетворительным.

Поиск и устранение неисправностей

Аккумулятор

Светодиодный индикатор аккумулятора	Причина	Решение
Мигает зеленый светодиодный индикатор.	Низкое напряжение аккумулятора.	Зарядите аккумулятор. См. раздел Зарядка аккумулятора на стр. 339.
Мигает светодиодный индикатор ошибки.	Слишком низкий заряд аккумулятора.	Зарядите аккумулятор. См. раздел Зарядка аккумулятора на стр. 339.
	Слишком высокая или слишком низкая температура окружающей среды.	Используйте аккумулятор при температуре в диапазоне от 5 до 40 °C.
	Перегрузка по напряжению.	Убедитесь, что напряжение в сети соответствует значению, указанному на паспортной табличке агрегата.
Извлеките аккумулятор из зарядного устройства. Подождите 5 секунд и снова попытайтесь зарядить аккумулятор. Если неисправность не устранена, обратитесь в авторизованный сервисный центр.		

Светодиодный индикатор аккумулятора	Причина	Решение
Горит светодиодный индикатор ошибки.	Слишком большая разница в напряжении элементов (1 В).	Обратитесь в авторизованный сервисный центр.

Зарядное устройство

Светодиод на зарядном устройстве аккумулятора	Причина	Решение
Мигает светодиодный индикатор ошибки.	Слишком высокая или слишком низкая температура окружающей среды.	Используйте зарядное устройство при температуре в диапазоне от 5 до 40 °С.
Горит светодиодный индикатор ошибки.		Обратитесь в авторизованный сервисный центр.

Газонокосилка

Предупреждающий индикатор (светодиодный индикатор ошибки) расположен под крышкой аккумулятора.

Проблема	Светодиодный индикатор ошибки (количество миганий)	Причина	Решение
Мигает светодиодный индикатор ошибки. Изделие не работает надлежащим образом.	5	Нож заблокирован.	Переведите предохранительный ключ в положение "0" во избежание случайного запуска. Извлеките аккумулятор и подождите не менее 5 секунд. Устраните возможные препятствия и убедитесь, что нож может свободно вращаться. Если неисправность не устранена, обратитесь в авторизованный сервисный центр.
		Слишком низкая частота вращения двигателя привела к остановке двигателя.	Увеличьте высоту кошения. См. раздел Регулировка высоты кошения на стр. 338.
	10	Перегрев системы управления двигателем.	Остановите двигатель и подождите, пока он остынет.

Проблема	Светодиодный индикатор ошибки (количество миганий)	Причина	Решение
Мигает светодиодный индикатор ошибки. Изделие останавливается.	0	Неисправность разъема аккумулятора.	Осмотрите разъем аккумулятора.
	3	Перегрузка двигателя.	Увеличьте высоту кошения. См. раздел Регулировка высоты кошения на стр. 338.
	8	Слишком низкий заряд аккумулятора.	Зарядите аккумулятор. См. раздел Зарядка аккумулятора на стр. 339.
	9	Ошибка аккумулятора или отсутствие сигнала от аккумулятора.	Установите аккумулятор в изделие надлежащим образом и проверьте разъем аккумулятора. Если на аккумуляторе мигает светодиодный индикатор ошибки. См. раздел Состояние аккумуляторной батареи на стр. 338.
	12	Неверная процедура запуска. Рукоятка моторного тормоза задействована до запуска двигателя.	Отпустите рукоятку моторного тормоза и подождите приблизительно 5 секунд. Еще раз нажмите на рукоятку моторного тормоза, чтобы запустить изделие.
Прочие ошибки.	При возникновении других ошибок поверните предохранительный ключ в положение "0", извлеките аккумулятор и обратитесь в авторизованный сервисный центр.		

Транспортировка, хранение и утилизация

Вводная информация



ПРЕДУПРЕЖДЕНИЕ: Во избежание случайного запуска во время транспортировки и хранения переведите предохранительный ключ в положение "0", извлеките аккумулятор и подождите не менее 5 секунд.

Установка изделия в положение для транспортировки

1. Надавите ногой на скобу регулировки высоты. (Рис. 37)
2. Потяните рукоятку вверх и извлеките скобу регулировки высоты из углубления.
3. Сложите рукоятку вперед, пока она не достигнет конечного положения. (Рис. 38)
4. Сложите скобу регулировки высоты в направлении кошура режущего оборудования. (Рис. 39)
5. Ослабьте регуляторы рукоятки. (Рис. 40)
6. Сложите верхнюю рукоятку назад. (Рис. 41)

Транспортировка

- На литий-ионные аккумуляторы в комплекте изделия распространяются требования, предъявляемые к опасным товарам.
- Соблюдайте специальные требования к перевозке коммерческим транспортом, указанные на упаковке и ярлыках.
- При подготовке изделия к транспортировке тщательно выполняйте все требования, предъявляемые к опасным веществам. Могут также применяться требования местного законодательства.
- Перед транспортировкой всегда извлекайте аккумулятор.
- Заклейте разъемы аккумулятора лентой и закрепите аккумулятор таким образом, чтобы во время транспортировки он не мог сместиться.
- Надежно закрепите изделие на время транспортировки.

Хранение

- Перед помещением агрегата на хранение дайте ему остыть.

- Перед транспортировкой всегда извлекайте аккумулятор.
- Во избежание несчастных случаев при помещении агрегата на хранение убедитесь, что к нему не подключен аккумулятор.
- Храните зарядное устройство в закрытом и сухом помещении.
- Храните аккумулятор и зарядное устройство в сухом отапливаемом помещении.
- Храните аккумулятор отдельно от зарядного устройства.
- Не допускается хранение аккумулятора в местах, где возможно возникновение статического электричества. Нельзя хранить аккумулятор в металлической коробке.
- Храните агрегат при температуре окружающей среды в диапазоне от -10 до 40 °С.
- Храните аккумулятор при температуре окружающей среды в диапазоне от 5 до 25 °С и не подвергайте воздействию прямых солнечных лучей.
- Храните зарядное устройство при температуре окружающей среды в диапазоне от 5 до 45 °С и не подвергайте воздействию прямых солнечных лучей.
- Перед помещением аккумулятора на длительное хранение убедитесь, что он заряжен до 30-50%.
- Храните агрегат, аккумулятор и зарядное устройство в запечатом помещении, вне доступа

детей и лиц, не имеющих соответствующего разрешения.

- Очистите агрегат и опустошите травосборник.
- Выполняйте техобслуживание в соответствии с инструкциями, приведенными в данном руководстве по эксплуатации. См. раздел График технического обслуживания на стр. 340.
- Перед помещением агрегата на длительное хранение проведите полное обслуживание.

Утилизация

Обозначения на изделии или его упаковке указывают, что данное изделие не может быть утилизировано в качестве бытовых отходов. Оно должно быть передано в соответствующий пункт для переработки электрического и электронного оборудования.

Обеспечив надлежащую утилизацию данного изделия, вы сможете предотвратить потенциальное отрицательное влияние на окружающую среду и здоровье людей, которое иначе могло быть последствием неправильной утилизации. Более подробную информацию о переработке данного изделия получите в Городском управлении, у службы, занимающейся переработкой бытовых отходов либо в магазине, где вы приобрели изделие.

(Рис. 42)

Технические данные

	LB 144i
Двигатель режущего оборудования	
Тип двигателя	BLDC (бесщеточный, постоянного тока), 36 В
Частота вращения двигателя — SavE, об/мин	2600 об/мин
Частота вращения двигателя — номинальная, об/мин	3200 об/мин
Частота вращения двигателя — высокая нагрузка, об/мин	3500 об/мин
Мощность двигателя — макс., кВт	0,9
Мощность двигателя — номинальная, кВт	0,75
Приводной двигатель	
Мощность двигателя — номинальная, кВт	Неприменимо
Скорость самостоятельного хода, км/ч	Неприменимо
Уровни регулировки скорости	Неприменимо
Вес	
Масса (без аккумулятора), кг	15,5

	LB 144i
Вес (вкл. 1 x BLi30), кг	17,5
Аккумулятор	
Тип аккумулятора	Аккумулятор серии Husqvarna
Время работы от аккумулятора	
Время работы от аккумулятора, минуты, (на холостом ходу) с включенной функцией SaveE, с одним аккумулятором Husqvarna 7,5 А·ч (BLi30).	170
Время работы от аккумулятора, минуты, (на холостом ходу) в стандартном режиме, с одним аккумулятором Husqvarna 7,5 А·ч (BLi30).	135
Излучение шума ⁶¹	
Уровень мощности звука, измеренный, дБ(А)	90
Уровень мощности звука, гарантированный, L _{WA} , дБ(А)	92
Уровни шума ⁶²	
Уровень звукового давления на уши оператора, дБ(А)	77
Уровни вибрации ⁶³	
На рукоятке, м/с ²	0,7
Режущее оборудование	
Высота кошения, мм	25–75
Ширина кошения, см	44
Нож стандартный	Mulch 5298073-10
Нож, принадлежность	Неприменимо

Рекомендованные аккумуляторы	Тип	Емкость аккумулятора, А·ч	Напряжение, В	Масса, фунт / кг
40-B140	Литий-ионный	4,0	36	2,6 / 1,2
BLi30	Литий-ионный	7,5	36	4,2 / 1,9

Рекомендованные зарядные устройства для указанных аккумуляторов, BLi	Входное напряжение, В	Частота, Гц	Мощность, Вт
40-C80	100–240	50–60	68,8

⁶¹ Излучение шума в окружающую среду измеряется как мощность звука (L_{WA}) согласно директиве ЕС 2000/14/ЕС.

⁶² Указанные данные об уровне шумового давления имеют погрешность (К) 1,5 дБ(А).

⁶³ Указанные данные об уровне вибрации имеют погрешность (К) 1,5 м/с². Заявленное суммарное значение вибрации измерено в соответствии со стандартом EN 62841-4-3, приложение I, и может быть использовано для сравнения одного изделия с другим, а также для предварительной оценки воздействия.

Рекомендованные зарядные устройства для указанных аккумуляторов, ВLi	Входное напряжение, В	Частота, Гц	Мощность, Вт
QC250	220–240	50	250

Декларация соответствия

Декларация соответствия требованиям ЕС

Мы, компания Husqvarna AB, SE-561 82
Husqvarna, Швеция, тел.: +46-36-146500, с полной
ответственностью заявляем, что изделие:

Описание	Газонокосилка
Марка	Husqvarna
Тип / Модель	LB 144i
Идентификация	Серийные номера начиная с 2022 года и далее

полностью соответствует следующим директивам и
нормативам ЕС:

Норматив	Описание
2006/42/EC	"О механическом оборудовании"
2014/30/EU	"Об электромагнитной совместимости"
2000/14/EC	"Об излучении шума в окружающую среду"
2011/65/EU	"Об ограничении использования определенных опасных веществ в электрическом и электронном оборудовании"

а также требованиям следующих стандартов
и/или технических регламентов: EN 62841-1:2015/
AC:2015, EN IEC 62841-4-3:2021/A11:2021, EN ISO
12100:2010, EN 55014-1:2021, EN 55014-2:2021, EN
IEC 61000-6-2:2019, EN IEC 61000-6-3:2021, EN IEC
63000:2018

Уполномоченная организация: 0404, RISE SMP
Svensk Maskinprovning AB, Box 4053, SE-904
03 Umeå, Sweden подтвердила соответствие
Директиве Совета ЕС 2000/14/EC, процедура оценки
соответствия: Приложение VI.

Информацию по излучению шума см. в разделе
Технические данные на стр. 345.

Husqvarna, 2022-12-05

Клаес Лосдал (Claes Losdal), директор отдела
разработок/садовая техника, Husqvarna AB

Ответственный за техническую документацию



141400, Московская обл., Г. Химки, ул. Ленинградская, владение 39, строение II
этаж 4,
помещение OB02_04,
телефон горячей линии 8-800-200-1689

Obsah

Úvod.....	349	Riešenie problémov.....	359
Bezpečnosť.....	350	Preprava, skladovanie a likvidácia.....	361
Montáž.....	355	Technické údaje.....	361
Prevádzka.....	355	Vyhlasenie o zhode.....	364
Údržba.....	357		

Úvod

Popis výrobku

Tento výrobok je rotačná kosačka na trávu s chodiacou obsluhou využívajúca záražku BioClip, ktorá trávu naseká tak, aby sa dala použiť ako hnojivo.

Prehľad výrobku

(Obr. 1)

1. Držadlo/rukoväť
2. Rukoväť motorovej brzdy
3. Poistka naštartovania
4. Zdvíhacie rukoväte
5. Kosiace zariadenie
6. Páka výšky rezu
7. Bezpečnostný kľúč
8. Kryt akumulátora
9. Výškovo nastaviteľný záves rukoväte
10. Tlačidlo SavE
11. Výstražný indikátor (chybová dióda LED)
12. Návod na obsluhu
13. Nabíjačka batérií (príslušenstvo)
14. Akumulátor (príslušenstvo)

Symboly na výrobku

- (Obr. 2) UPOZORNENIE
- (Obr. 3) Prečítajte si pokyny.
- (Obr. 4) UPOZORNENIE – Dávajte pozor na vyršťované predmety.
- (Obr. 5) Vykážte ostatné osoby z pracovného priestoru.
- (Obr. 6) UPOZORNENIE – Ruky a nohy držte v bezpečnej vzdialenosti od nožov.
- (Obr. 7) UPOZORNENIE – Pred vykonávaním údržby odpojte batériu.
- (Obr. 8) Výrobok alebo jeho obal nepredstavuje komunálny odpad. Recyklujte ho

Plánované použitie

Produkt používajte na kosenie trávy. Výrobok nepoužívajte na iné účely.

v recyklačnej stanici určenej pre elektrické a elektronické zariadenia.

- (Obr. 9) Označenie týkajúce sa emisie hluku do okolia podľa smerníc a nariadení EÚ a UK a legislatívy v štáte New South Wales „Protection of the Environment Operations (Noise Control) Regulation 2017“ (Nariadenie o ochrane životného prostredia pri prevádzke (kontrola hluku) z roku 2017). Garantovaná hladina akustického výkonu produktu je uvedená v Technické údaje na strane 361 a na štítku.
- (Obr. 10) Tento nadstavec je v súlade s príslušnými smernicami EÚ.
- (Obr. 11) Tento výrobok je v súlade s príslušnými právnymi predpismi Spojeného kráľovstva.
- (Obr. 12) Tento výrobok je chránený proti kvapkajúcej vode.
- (Obr. 13) Zastavte uvoľnením rukoväti motorovej brzdy.
- (Obr. 14) Snímateľný kód.

Poznámka: Ostatné symboly/emblémy na výrobku odkazujú na zvláštne požiadavky certifikácie pre určité trhy.

Zodpovednosť za výrobok

V súlade s právnymi predpismi upravujúcimi zodpovednosť za výrobok nenesieme zodpovednosť za škody spôsobené našim výrobkom v dôsledku:

- nesprávne vykonanej opravy výrobku,

- opravy výrobku, pri ktorej neboli použité diely od výrobcu alebo diely schválené výrobcom,
- používania príslušenstva od iného výrobcu alebo príslušenstva, ktoré nie je schválené výrobcom,

- opravy výrobku, ktoré neboli vykonané v schválenom servisnom stredisku alebo schválenými kompetentnými osobami.

Bezpečnosť

Bezpečnostné definície

Výstrahy, upozornenia a poznámky slúžia na zdôraznenie mimoriadne dôležitých častí návodu.



VÝSTRAHA: Používa sa, ak pre obsluhu alebo osoby v okolí existuje nebezpečenstvo poranenia alebo smrti v prípade nedodržania pokynov v návode.



VAROVANIE: Používa sa, ak hrozí nebezpečenstvo poškodenia produktu, iných materiálov alebo okolitej oblasti v prípade nedodržania pokynov v návode.

Poznámka: Používa sa na poskytnutie informácií nad rámec nevyhnutných informácií v danej situácii.

Všeobecné bezpečnostné upozornenia pre výrobok



VÝSTRAHA: Prečítajte si všetky bezpečnostné upozornenia a pokyny a pozrite si ilustrácie a uvedené technické údaje tohto výrobku. Nedodržanie všetkých nižšie uvedených pokynov môže spôsobiť zásah elektrickým prúdom, požiar alebo ťažké zranenia.

Uchovajte si všetky upozornenia a pokyny pre budúce použitie. Výraz „výrobok“ v upozorneniach označuje výrobky napájané z elektrickej siete (s káblom) alebo batérie (bez kábla).

Bezpečnosť na pracovisku

- Udržiavajte pracovisko v čistote a dobre osvetlené. Neporiadok alebo nedostatočné osvetlenie spôsobujú nehody.
- Nepoužívajte výrobok vo výbušnom ovzduší, napríklad v prítomnosti horľavých kvapalín, plynov alebo prachu. Výrobok vytvára iskry, ktoré môžu zapáliť prach alebo výpar.
- Pri používaní výrobku zabráňte deťom a okolostojacim, aby sa zdržiavali vo vašej blízkosti. Rušivé podnety môžu spôsobiť stratu kontroly.

Elektrická bezpečnosť

- Zástrčky výrobku musia zodpovedať zásuvke elektrickej siete. Nikdy a žiadnym spôsobom nemodifikujte elektrickú zástrčku. S uzemnenými

výrobkami nepoužívajte žiadne adaptérové zástrčky. Ak sa zástrčky neupravujú a používajú sa zodpovedajúce zásuvky, zníži sa riziko úrazu elektrickým prúdom.

- Zabráňte kontaktu tela s uzemnenými povrchmi, ako sú rúry, radiátory, sporáky a chladničky. Riziko úrazu elektrickým prúdom je vyššie, ak je vaše telo uzemnené.
- Výrobky nevystavujte pôsobeniu dažďa ani vlhkosti. Ak sa do výrobku dostane voda, zvyšuje sa nebezpečenstvo úrazu elektrickým prúdom.
- Nepoužívajte kábel nesprávnym spôsobom. Kábel nikdy nepoužívajte na prenášanie, ťahanie ani odpájanie výrobku. Chráňte šnúru pred horúčavou, olejom, ostrými hranami alebo pohybujúcimi sa dielcami. Poškodené alebo zamotané káble zvyšujú riziko úrazu elektrickým prúdom.
- Pri používaní výrobku v exteriéri používajte predĺžovací kábel vhodný na vonkajšie použitie. Použitie kábla určeného do vonkajšieho prostredia znižuje riziko zásahu elektrickým prúdom.
- Ak je nevyhnutné použiť výrobok vo vlhkom prostredí, na napájanie použite vedenie vybavené prúdovým chráničom (RCD). Použitie napájania z vedenia vybaveného prúdovým chráničom (RCD) výrazne znižuje riziko zasiahnutia elektrickým prúdom.

Osobná bezpečnosť

- Pracujte opatrne, dávajte pozor a pri používaní výrobku postupujte rozumne. Výrobok nepoužívajte, keď ste unavení alebo pod vplyvom drog, alkoholu alebo liekov. Chvíľka nepozornosti pri používaní výrobkov môže zapríčiniť vážny úraz.
- Používajte osobné ochranné pomôcky. Vždy noste ochranné prostriedky očí. Ochranné vybavenie, ako sú napríklad masky proti prachu, bezpečnostné topánky s protišmykovou podrážkou, prilby alebo chrániče sluchu použité vo vhodných prípadoch znižujú počet osobných poranení.
- Zabráňte neúmyselnému spusteniu zariadenia. Pred pripojením k elektrickej sieti alebo batérii overte zdvihnutím alebo prenesením výrobku, či je vypínač vo vypnutej polohe. Prenášanie výrobkov s prstom na vypínači alebo napájanie výrobkov, ktoré majú vypínač zapnutý, zvyšuje riziko nehôd.
- Pred zapnutím výrobku vyberte nastavovací kľúč alebo kľúč na matice. Kľúč nasadený na rotačnú časť výrobku môže spôsobiť poranenie osôb.
- Nenaťahujte sa príliš ďaleko. Vždy si udržiavajte rovnováhu a správny postoj. To umožňuje lepšie ovládanie výrobku v neočakávaných situáciách.

- **Vhodne sa oblečte.** Nenoste voľné oblečenie alebo šperky. Udržujte svoje vlasy a oblečenie mimo dosahu pohyblivých častí. Voľné oblečenie, šperky alebo dlhé vlasy sa môžu zachytiť v pohyblivých častiach.
- **Ak je možné pripojiť zariadenia na odsávanie a zber prachu, overte, či sú tieto zariadenia pripojené a či sa správne používajú.** Používanie zberača prachu môže obmedziť nebezpečenstvá týkajúce sa prachu.
- **Nedovoľte, aby vás skúsenosti získané častým používaním produktov uspokojili, a ignorovali by ste bezpečnostné pravidlá pri používaní produktov.** Neopatrné konanie môže v zlomku sekundy spôsobiť vážne poranenie.

Používanie výrobku a starostlivosť o neho

- **Netlačte na výrobok silou.** Používajte správny výrobok na dané použitie. Správny výrobok vykoná prácu lepšie a bezpečnejšie pri rýchlosti, na akú je určený.
- **Nepoužívajte výrobok, ak sa nedá zapnúť a vypnúť vypínačom.** Akýkoľvek výrobok, ktorý sa nedá ovládať vypínačom, je nebezpečný a musí sa opraviť.
- **Pred akoukoľvek úpravou, výmenou príslušenstva alebo skladovaním výrobkov odpojte zástrčku zo zdroja napájania a/alebo vyberte akumulátory (ak je to možné).** Takéto preventívne bezpečnostné opatrenia znižujú riziko náhodného spustenia výrobku.
- **Nepoužívané výrobky udržiavajte mimo dosahu detí a nedovoľte osobám, ktoré nepoznajú tento výrobok alebo tieto pokyny, aby výrobok používali.** Výrobky sú nebezpečné v rukách neskúsených používateľov.
- **Vykonávajte údržbu výrobkov a príslušenstva.** Skontrolujte vychýlenie alebo ohnutie pohyblivých častí, nalomenie častí a akékoľvek iné poškodenie, ktoré môže ovplyvniť prevádzku výrobku. Ak je výrobok poškodený, dajte ho pred použitím opraviť. Mnoho nehôd je spôsobených nedostatočne udržiavanými výrobkami.
- **Rezacie nástroje udržiavajte nabrúsené a v čistote.** Správne udržiavané rezacie nástroje s ostrými hranami sú menej náchylné na ohnutie a ľahšie sa ovládajú.
- **Používajte výrobok, príslušenstvo, hroty nástroja atď. v súlade s týmito pokynmi, pričom vezmite do úvahy pracovné podmienky a typ vykonávanej práce.** Používanie výrobku na iné ako určené účely môže vyvolať nebezpečnú situáciu.
- **Rukoväti a úchytné povrchy udržiavajte suché, čisté a neznečistené olejom a mazivom.** Šmyklavé rukoväti a úchytné povrchy neumožňujú bezpečnú manipuláciu a ovládanie výrobku v neočakávaných situáciách.

Používanie nástroja napájaného akumulátorom a starostlivosť oň

- **Nabíjajte iba pomocou nabíjačky špecifikovanej výrobcom.** Nabíjačka, ktorá je vhodná pre jeden typ akumulátora, môže pri použití s iným akumulátorom predstavovať nebezpečenstvo požiaru.
- **Výrobok používajte iba s presne určenými akumulátormi.** Pri použití akéhokoľvek iného akumulátora môže hroziť nebezpečenstvo poranenia a požiaru.
- **Keď sa akumulátor nepoužíva, udržujte ho mimo dosahu kovových predmetov, ako sú spony na papier, mince, kľúče, kince, skrutky alebo iné drobné kovové predmety, ktoré môžu vytvoriť spoj medzi svorkami.** Skratovanie svoriek akumulátora môže spôsobiť popáleniny alebo požiar.
- **Pri neopatrnom zaobchádzaní môže z akumulátora uniknúť tekutina. Nedotýkajte sa jej. V prípade náhodného kontaktu umyte postihnuté miesto vodou. Ak sa dostane kvapalina z akumulátora do očí, vyhľadajte aj lekársku pomoc.** Kvapalina vystrekujúca z akumulátora môže spôsobiť podráždenie alebo popáleniny.
- **Nepoužívajte poškodený alebo upravený akumulátor alebo nástroj.** Poškodené alebo upravené akumulátory môžu mať za následok nepredvídateľné fungovanie a spôsobiť požiar, výbuch alebo predstavovať nebezpečenstvo poranenia.
- **Akumulátor alebo nástroj nevystavujte ohňu alebo nadmerne vysokým teplotám.** Pri vystavení ohňu alebo teplote nad 130 °C (265°F) môže dôjsť k výbuchu.
- **Dodržiavajte všetky pokyny na nabíjanie a pri nabíjaní nevystavujte akumulátor alebo nástroj teplotám, ktoré sú mimo teplotného rozsahu uvedeného v pokynoch.** Pri nesprávnom nabíjaní alebo pri vonkajších teplotách mimo uvedeného rozsahu hrozí poškodenie akumulátora a zvyšuje sa nebezpečenstvo požiaru.

Služba

- **Výrobok zverte do opravy iba kvalifikovanému odborníkovi a používajte iba originálne náhradné diely.** Tým sa zaistí zachovanie bezpečnosti výrobku.
- **Poškodené akumulátory nikdy neservisujte sami.** Servis akumulátorov smie vykonávať len výrobca alebo autorizovaný servis.

Bezpečnostné upozornenia pre kosačku

- **Kosačku nepoužívajte počas nepriaznivých poveternostných podmienok, najmä ak hrozí riziko bleskov.** Zníži sa tým riziko zasiahnutia bleskom.
- **Skontrolujte, či sa v priestore, kde sa má kosačka používať, nenachádzajú voľne žijúce živočíchy.** Počas prevádzky kosačky môže dôjsť k zraneniu voľne žijúcich živočíchov.
- **Pozorne skontrolujte priestor, v ktorom sa bude kosačka používať, a odstráňte všetky kamene,**

konáre, káble, kosti a iné cudzie predmety.

Vymrštené predmety môžu spôsobiť poranenie osôb.

- Pred použitím kosačky vždy vizuálne skontrolujte, či nie sú nôž a zostava noža opotrebované alebo poškodené. Opotrebované alebo poškodené diely zvyšujú riziko poranenia.
- Pravidelne kontrolujte prípadné opotrebovanie alebo poškodenie zberného koša. Opotrebovaný alebo poškodený zberný kôš môže zvýšiť riziko poranenia osôb.
- Neodstraňujte ochranné kryty. Ochranné kryty musia byť v dobrom prevádzkovom stave a správne osadené. Uvoľnený, poškodený alebo nesprávne fungujúci ochranný kryt môže viesť k zraneniu osôb.
- Všetky vstupné otvory chladiaceho vzduchu udržiavajte čisté od zvyškov. Upchaté vstupné otvory vzduchu a zvyšky môžu viesť k prehriatiu alebo riziku požiaru.
- Počas používania kosačky vždy noste protišmykovú a ochrannú obuv. Kosačku nepoužívajte, ak ste bosí alebo máte obuté otvorené sandále. Zníži sa tým riziko poranenia chodidiel kontaktom s pohybujúcim sa nožom.
- Pri práci s kosačkou vždy noste dlhé nohavice. Odhalená pokožka zvyšuje pravdepodobnosť poranenia vymrštenými predmetmi.
- Kosačku nepoužívajte na mokrej tráve. Pri práci so zariadením kráčajte, nebežte. Znižuje sa tým riziko pošmyknutia, spadnutia a následného zranenia.
- Kosačku nepoužívajte na príliš strmých svahoch. Znižuje sa tým riziko straty kontroly, pošmyknutia, spadnutia a následného zranenia.
- Pri práci na svahoch vždy dbajte na to, aby ste mali pevné postavenie, vždy pracujte naprieč svahom, nikdy smerom nahor alebo nadol a buďte mimoriadne opatrní pri zmene smeru. Znižuje sa tým riziko straty kontroly, pošmyknutia, spadnutia a následného zranenia.
- Pri cúvaní alebo ťahaní kosačky smerom k sebe buďte mimoriadne opatrní. Vždy sledujte svoje okolie. Znižuje sa tak riziko zakopnutia počas práce.
- Nedotýkajte sa nožov ani iných nebezpečných pohyblivých častí, kým sú v pohybe. Znižuje sa tým riziko poranenia pohyblivými časťami.
- Pri odstraňovaní zaseknutého materiálu alebo čistení kosačky sa uistite, že sú vypnuté všetky vypínače a napájací kábel je odpojený.
Neočakávané zapnutie kosačky môže viesť k vážnemu zraneniu osôb.

Prúdový chránič

- Použité prúdový chránič s vypínacím prúdom maximálne 30 mA.

Všeobecné bezpečnostné pokyny



VÝSTRAHA: Skôr než budete výrobok používať, prečítajte si nasledujúce výstrahy.

- Tento výrobok je nebezpečný, ak sa nepoužíva správne alebo ak nie ste pri jeho používaní opatrní. V prípade nedodržania bezpečnostných pokynov hrozí poranenie alebo usmrtenie.
- Tento výrobok vytvára počas prevádzky elektromagnetické pole. Toto pole môže za určitých okolností spôsobovať rušenie aktívnych alebo pasívnych implantovaných lekárskeho prístrojov. Na zníženie rizika vážneho alebo smrteľného zranenia odporúčame, aby sa osoby s implantovanými lekárskeho prístrojmi poradili so svojím lekárom a výrobkom pomôcky ešte pred použitím tohto výrobku.
- Vždy zachovávajte opatrnosť a riaďte sa zdravým úsudkom. Ak si v určitých situáciách nie ste istí, ako máte výrobok používať, výrobok nepoužívajte a pred pokračovaním v práci sa poraďte s predajcom spoločnosti Husqvarna.
- Myslite na to, že operátor bude zodpovedný za nehody zahrňajúce iné osoby alebo ich majetok.
- Výrobok udržiavajte čistý. Uistite sa, že sú symboly a emblémy čitateľné.
- Nikdy nedovoľte používať zariadenie deťom ani osobám, ktoré sa neoboznámili s návodom na používanie. Miestne predpisy môžu obmedzovať vek používateľa.
- Osoby so zníženými fyzickými alebo duševnými schopnosťami musia byť počas používania výrobku vždy pod dozorom. Vyžaduje sa neustála prítomnosť zodpovednej dospelé osoby.
- Výrobok nepoužívajte, ak ste unavení, chorí alebo ste pod vplyvom alkoholu, drog alebo liekov. Vyššie uvedené prípady majú negatívny vplyv na váš zrak, ostražitosť, koordináciu a úsudok.
- Výrobok nepoužívajte, ak je poškodený.
- Výrobok žiadnym spôsobom neupravujte ani nepoužívajte, ak existuje možnosť, že bol upravený inými osobami.

Bezpečnosť pri práci



VÝSTRAHA: Skôr než budete výrobok používať, prečítajte si nasledujúce výstrahy.

- Tento výrobok používajte len na kosenie trávy. Výrobok sa nesmie používať na iné úlohy.
- Používajte osobné ochranné pomôcky. Pozrite si časť Osobné ochranné prostriedky na strane 353.
- Naučte sa, ako v prípade núdze rýchlo zastaviť motor.

- Výrobok nepoužívajte na daždi alebo vlhkých miestach. V prípade preniknutia vody do výrobku sa zvyšuje riziko zásahu elektrickým prúdom.
- Výrobok nepoužívajte, pokiaľ nie sú nôž a všetky kryty správne upevnené. Nesprávne pripojený nôž sa môže uvoľniť a spôsobiť poranenia osôb.
- Uistite sa, že nôž nenarazí na predmety, ako sú napr. kamene alebo korene. Môže dôjsť k poškodeniu noža a ohnutiú hriadeľa motora. Ohnutá náprava spôsobuje silné vibrácie a vzniká veľké nebezpečenstvo uvoľnenia noža.
- Ak nôž narazí na predmet alebo ak cítite vibrácie, výrobok okamžite vypnite. Zastavte motor, otočte bezpečnostný kľúč do polohy 0 a odstráňte batériu. Počkajte, kým sa zastavia pohyblivé časti. Skontrolujte, či nie je výrobok poškodený. Dotiahnite uvoľnené časti. Opravte akékoľvek poškodenie a vymeňte poškodené diely. Opravu zverte schválenému servisnému zástupcovi.
- Keď je naštartovaný motor, rukoväť motorovej brzdy nesmie byť nikdy trvalo pripevnená k rukoväti.
- Položte výrobok na stabilný, rovný povrch a naštartujte ho. Uistite sa, že sa nôž nedostane do kontaktu so zemou alebo inými predmetmi.
- Pri obsluhu vždy stojte za výrobkom.
- Pri obsluhu výrobku dávajte pozor, aby všetky kolesá dosadali na zem a rukoväť držte oboma rukami. Udržujte ruky a chodidlá mimo dosahu rotujúcich nožov.
- Pri štartovaní motora alebo počas prevádzky výrobok nenakláňajte.
- Pri ťahaní výrobku smerom dozadu buďte opatrní.
- Výrobok nikdy nedvíhajte, keď je spustený motor. Ak výrobok musíte zdvihnúť, najskôr zastavte motor, otočte bezpečnostný kľúč do polohy 0 a odstráňte batériu.
- Počas obsluhy výrobku necúvajte.
- Zastavte motor, keď je potrebné výrobok nakloniť z dôvodu prepravy alebo pred presunom cez plochy bez porastu trávy, napríklad cesty zo štrku, kameňa a asfaltu.
- Keď je zapnutý motor, s výrobkom neutekajte. Počas obsluhy výrobku vždy kráčajte.
- Pred zmenou výšky rezu zastavte motor. Nikdy nevykonávajte nastavenia so zapnutým motorom.
- Nikdy nenechávajte výrobok bez dozoru, keď je zapnutý motor. Zastavte motor a uistite sa, že sa rezná zariadenie neotáča.
- Vibrácie výrobku počas prevádzky sa môžu líšiť od deklarovanej hodnoty vibrácií v časti Technické údaje na strane 361. Rozdiel je spôsobený variáciami v spôsobe používania výrobku. Ak výrobok používate často alebo dlhodobo, robte pravidelné prestávky, aby ste predišli poraneniam spôsobeným vibráciami.

Bezpečnostné pokyny pre prevádzku

Osobné ochranné prostriedky



VÝSTRAHA: Skôr než budete výrobok používať, prečítajte si nasledujúce výstrahy.

- Osobné ochranné prostriedky nedokážu úplne vylúčiť riziko, ale môžu znížiť vážnosť zranenia v prípade nehody. Váš predajca vám pomôže pri výbere správnych prostriedkov.
- Noste odolné protišmykové topánky. Výrobok neobsluhujte v otvorených topánkach ani s bosými nohami.
- Noste dlhé odolné nohavice.
- Keď je to potrebné, používajte ochranné rukavice, ako napríklad pri montáži, kontrole alebo čistení rezného zariadenia.
- Odporúčame používať chrániče sluchu.

Bezpečnostné zariadenia na výrobku



VÝSTRAHA: Skôr než budete výrobok používať, prečítajte si nasledujúce výstrahy.

- Nepoužívajte produkt, ktorý má chybné bezpečnostné zariadenia.
- Neodstraňujte ani neupravujte bezpečnostné zariadenia.
- Pravidelne kontrolujte bezpečnostné zariadenia. Ak sú bezpečnostné zariadenia chybné, obráťte sa na servisného zástupcu spoločnosti Husqvarna.

Kontrola krytu rezacej časti

Kryt rezacej časti tlmi vibrácie vo výrobku a znižuje riziko poranenia kotúčom.

- Skontrolujte kryt rezacej časti, aby ste sa uistili, že na ňom nie sú žiadne známky poškodenia, ako sú napr. praskliny.

Kontrola bezpečnostného kľúča

Bezpečnostný kľúč sa nachádza pod krytom batérie. Bezpečnostný kľúč slúži na pripojenie batérie, ktorá napája motor.

- Pred vykonaním kontroly bezpečnostného kľúča naštartujte a vypnite motor.
- Ak bezpečnostný kľúč funguje správne, motor sa môže spustiť iba vtedy, keď je bezpečnostný kľúč v polohe 1. (Obr. 15)

Kontrola rukoväti motorovej brzdy

Rukoväť motorovej brzdy slúži na zastavenie motora. Keď rukoväť motorovej brzdy uvoľníte, motor sa zastaví.

- Zapnite výrobok. Pozrite si časť Zapnutie výrobku na strane 357.

- Uvoľnite rukoväť motorovej brzdy. (Obr. 16)
- Skontrolujte, či sa výrobok zastavil. Ak sa motor v priebehu 3 sekúnd nezastaví, požiadajte servisného zástupcu spoločnosti Husqvarna o nastavenie motorovej brzdy.

Kontrola poistky naštartovania

Skontrolujte poistku naštartovania, aby ste sa uistili, že zabraňuje prevádzke motora.

1. Potlačte páku pohonu smerom k hornej rukoväti. Poistka naštartovania zastaví pohyb.
2. Zatláčajte poistku naštartovania smerom von. (Obr. 17)
3. Uvoľnite poistku naštartovania a uistite sa, že sa vráti do svojej pôvodnej polohy.

Bezpečnosť akumulátorov



VÝSTRAHA: Skôr než budete výrobok používať, prečítajte si nasledujúce výstrahy.

- Ako napájací zdroj používajte nabíjateľné batérie Husqvarna len pre výrobky typu Husqvarna. V prípade iných zariadení nepoužívajte batériu ako zdroj napájania, aby ste zabránili riziku zranenia.
- Nepoužívajte nenabíjateľné akumulátory.
- Nebezpečenstvo zásahu elektrickým prúdom. Nepripájajte konektory batérie ku kľúčom, minciam, skrútkám ani k iným kovovým predmetom. Môže dôjsť k skratu batérie.
- Do vetracích otvorov batérie nekladajte žiadne predmety.
- Batériu nevystavuje priamemu slnečnému žiareniu, teplu ani otvorenému ohňu. Batéria môže vybuchnúť a spôsobiť popálenie alebo poleptanie.
- Batériu nevystavuje dažďu ani vlhku.
- Batériu nevystavuje mikrovlnnému žiareniu ani vysokému tlaku.
- Nepokúšajte sa rozoberať ani rozdrviť batériu.
- V prípade úniku kvapaliny z batérie zabráňte zasiahnutiu pokožky a očí kvapalinou. V prípade kontaktu s kvapalinou umyte zasiahnutú oblasť veľkým množstvom vody a vyhľadajte lekársku pomoc.
- Batériu vo výrobku používajte iba vtedy, keď je teplota okolitého prostredia v rozsahu 5 °C až 40 °C.
- Nabíjačku batérií používajte iba vtedy, keď je teplota okolitého prostredia v rozsahu 5 °C až 40 °C.
- Batéria sa nenabije, ak je jej teplota vyššia než 50 °C.
- Batériu ani nabíjačku batérií nečistite vodou. Pozrite si časť Čistenie batérie a nabíjačky batérií na strane 358.
- Nepoužívajte chybnú ani poškodenú batériu.
- Batérie uchovávajte v bezpečnej vzdialenosti od kovových predmetov, ako sú napr. klince, mince, šperky.

Bezpečnosť nabíjačky batérií



VÝSTRAHA: Skôr než budete výrobok používať, prečítajte si nasledujúce výstrahy.

- Na nabíjanie náhradných batérií Husqvarna používajte len nabíjačky batérií QC.
- Riziko zasiahnutia elektrickým prúdom alebo skratu. Do vetracích otvorov nabíjačky nekladajte žiadne predmety. Nabíjačku batérií sa nepokúšajte rozoberať. Koncovky nabíjačky nikdy nepripájajte ku kovovým predmetom. Používajte schválenú elektrickú zásuvku.
- Tento výrobok vytvára počas prevádzky elektromagnetické pole. Toto pole môže za určitých okolností spôsobovať rušenie aktívnych alebo pasívnych implantovaných lekárskeho prístrojov. Zníženie rizika podmienok, ktoré môžu viesť k vážnemu alebo aj smrteľnému poraneniu, si vyžaduje, aby sa osoby s implantovanými pomôckami poradili so svojím lekárom a výrobcom pomôcky ešte pred použitím tohto výrobku.
- Pravidelne kontrolujte, či napájací kábel nabíjačky batérií nie je poškodený a či na ňom nie sú praskliny.
- Nabíjačku batérií nedvíhajte za napájací kábel. Pri odpájaní nabíjačky batérií od sieťovej zásuvky ťahajte za zástrčku. Neťahajte za napájací kábel.
- Udržujte všetky napájacie káble a predĺžovacie káble v bezpečnej vzdialenosti od vody, oleja a ostrých hrán. Ubezpečte sa, že kábel nie je privitytý vo dverách, plotoch a podobne. Môže to spôsobiť, že nabíjačka bude pod napätím.
- Nabíjačku batérií nečistite vodou.
- Nabíjačku batérií smú používať deti od 8 rokov a osoby s obmedzenými fyzickými, zmyslovými alebo mentálnymi schopnosťami alebo s nedostatkom skúseností a vedomostí, pokiaľ sú pod dohľadom alebo boli poučené o bezpečnom používaní nabíjačky batérií a chápu súvisiace riziká. Deti sa nesmú s nabíjačkou batérií hrať. Deti nesmú vykonávať čistenie ani údržbu zariadenia, ak nie sú pod dozorom.
- Nenabíjateľné batérie nenabíjajte v nabíjačke batérií.
- Nabíjačku batérií nepoužívajte v blízkosti horľavých materiálov alebo materiálov, ktoré spôsobujú koróziu. Nabíjačku batérií nezakrývajte. V prípade výskytu dymu alebo ohňa odpojte zástrčku nabíjačky batérií.
- Nepoužívajte chybnú alebo poškodenú nabíjačku batérií.
- Batériu nabíjajte len v interiéri na miestach s dobrým prúdením vzduchu a mimo slnečného svetla. Batériu nenabíjajte vo vlhkom prostredí.

Bezpečnostné pokyny pre údržbu



VÝSTRAHA: Skôr než budete výrobok používať, prečítajte si nasledujúce výstrahy.

- Otočte bezpečnostný kľúč do polohy 0 a vyberte akumulátor, aby ste zabránili náhodnému spusteniu počas údržby. Pred začiatkom údržby počkajte minimálne 5 sekúnd.
- Vykonávajte len údržbu uvedenú v tomto návode na obsluhu. Náročnejšie práce a profesionálne opravy musí vykonávať schválený servisný zástupca. Ďalšie informácie získate od najbližšieho servisného zástupcu.
- Správnym vykonaním údržby zvýšite životnosť výrobku a znížite nebezpečenstvo nehôd.
- Vymeňte všetky poškodené, opotrebované alebo zlomené diely. Vždy používajte originálne náhradné diely od výrobcu. Iné náhradné diely môžu spôsobiť poškodenie výrobku a zvýšiť riziko nehôd.
- Aby ste predišli zraneniam, neodstraňujte ani neupravujte bezpečnostné zariadenia.
- Pri používaní rezného zariadenia používajte odolné rukavice. Nôž je veľmi ostrý a ľahko môže dôjsť k porezaniu.
- Rezné hrany udržiavajte ostré a čisté, aby ste dosiahli ten najlepší a najbezpečnejší výkon.
- Nechajte výrobok pravidelne prehliadnúť servisným zástupcom a vykonať na ňom potrebné nastavenia a opravy.
- Pri výmene príslušenstva sa riadte pokynmi. Používajte iba príslušenstvo od daného výrobcu.
- Keď sa výrobok, batéria a nabíjačka batérií nepoužívajú, skladujte ich oddelene na suchom mieste uzamknuté v interiéri. Zaisťte, aby sa k výrobku, batérii ani k nabíjačke batérií nedostali deti ani neoprávnené osoby.

Montáž

Úvod



VÝSTRAHA: Pred zostavením výrobku si prečítajte kapitolu o bezpečnosti.



VÝSTRAHA: Neúmyselnému spusteniu počas montáže predídete otočením bezpečnostného kľúča do polohy 0, vybratím batérie a dodržaním aspoň 5-sekundovej prestávky.

Montáž rukoväti

1. Hornú rukoväť vyklopte dopredu.

2. Utiahnite gombíky na rukoväti. (Obr. 18)
3. Potiahnite rukoväť dozadu, kým sa nebude nachádzať v koncovej polohe.
4. Sklopte výškovo nastaviteľný záves a vložte ho do drážky. (Obr. 19)
5. Výškovo nastaviteľný záves stlačte nohou. (Obr. 20)

Nastavenie výšky rukoväti

1. Výškovo nastaviteľný záves zatlačte nohou.
2. Rukoväť nastavte do správnej polohy a pustite ju. (Obr. 21)

Prevádzka

Úvod



VÝSTRAHA: Pred používaním výrobku si musíte prečítať kapitolu o bezpečnosti a porozumieť informáciám, ktoré sa v nej uvádzajú.

Husqvarna Connect

Husqvarna Connect je bezplatná aplikácia pre mobilné zariadenia. Aplikácia Husqvarna Connect prináša rozšírené funkcie pre výrobok Husqvarna:

- Rozšírené informácie o výrobku.
- Informácie a podpora vzťahujúce sa na súčasť výrobku a servis.

Ak chcete začať, použite Husqvarna

Connect

1. Stiahnite si aplikáciu Husqvarna Connect do mobilného zariadenia.
2. Zaregistrujte sa v aplikácii Husqvarna Connect.
3. Ak chcete pripojiť a zaregistrovať produkt, postupujte podľa pokynov v aplikácii Husqvarna Connect.

Nastavenie výrobku do prevádzkovej polohy

1. Zmontujte rukoväť. V časti Montáž rukoväti na strane 355.
2. Nastavte výšku rukoväti. V časti Nastavenie výšky rukoväti na strane 355.



VAROVANIE: Skontrolujte, či v kábloch nie je príliš veľké napnutie. Nadmerné napnutie kábla môže pri skladaní rukoväti do transportnej polohy poškodiť kábel.



VÝSTRAHA: Výrobok nepoužívajte, pokiaľ nie je rukoväť úplne vyklopená a nastavená do jednej z príslušných výškových polôh. V časti Nastavenie výšky rukoväti na strane 355.

Nastavenie výšky rezu

Výška rezu sa dá nastaviť v šiestich rôznych krokoch.

1. Zastavte motor.
2. Ak chcete zvýšiť výšku rezu, posuňte páku výšky rezu smerom dozadu. (Obr. 22)
3. Ak chcete znížiť výšku rezu, posuňte páku výšky rezu smerom dopredu.



VAROVANIE: Nenastavujte výšku rezu príliš nízko. Ak nie je povrch trávnikára rovný, nože môžu narážať o zem.

Batéria



VÝSTRAHA: Pred používaním batérie si musíte prečítať kapitolu o bezpečnosti a porozumieť informáciám, ktoré sa v nej uvádzajú. Okrem toho si musíte prečítať návod na obsluhu batérie a nabíjačky batérií a porozumieť jeho obsahu.

Batériu a nabíjačku udržiavajte pri správnej teplote okolia.

	Teplota okolitého prostredia
Prevádzka batérie	5 °C – 40 °C
Nabíjanie batérie	5 °C – 40 °C

Stav batérie

Na displeji sa zobrazuje zostávajúca kapacita batérie a prípadné problémy s batériou. Kapacita batérie sa zobrazí na 5 sekúnd po vypnutí výrobku alebo po stlačení tlačidla indikátora batérie. Výstražný symbol na batérii sa rozsvieti, keď sa vyskytne chyba. Pozrite si časť Batéria na strane 359.

(Obr. 23)

LED svetlá	Stav batérie
Všetky LED svetlá svietia	Plne nabitá (75 – 100 %)

LED svetlá	Stav batérie
Svieti LED 1, LED 2, LED 3	Batéria je nabitá na 50 % – 75 %
Svieti LED 1, LED 2	Batéria je nabitá na 25 % – 50 %
Svieti LED 1	Batéria je nabitá na 0 % – 25 %.
Bliká LED 1	Batéria je vybitá. Nabite batériu.

Nabíjanie batérie

Batériu nabite pred prvým použitím. Pri dodaní zákazníkovi je batéria nabitá len na 30 % kapacity.

Poznámka: Nabíjačka batérie musí byť pripojená k sieti s napätím a frekvenciou, ktoré sa uvádzajú na výkonnovom štítku.

Batéria sa nenabíja, ak teplota batérie prekročí 50 °C. Pred začiatkom nabíjania nabíjačka batérií zníži teplotu batérie.

1. Jeden koniec napájacieho kábla nabíjačky batérií pripojte k zásuvke na nabíjačke batérií.
2. Druhý koniec napájacieho kábla nabíjačky batérií pripojte k uzemnenej sieťovej zásuvke. Indikátor LED na nabíjačke batérií raz blikne nazeleno. (Obr. 24)
3. Vložte batériu do nabíjačky batérií. Po správnom pripojení batérie k nabíjačke batérií sa na nabíjačke rozsvieti zelený indikátor. (Obr. 25)
4. Keď svietia všetky indikátory LED na batérii, batéria je plne nabitá. Batériu nabíjajte maximálne 24 hodín.
5. Pri odpájaní nabíjačky batérií od sieťovej zásuvky ťahajte za zástrčku, nie za šnúru.
6. Vyberte batériu z nabíjačky batérií.

Stav nabíjania batérie

Husqvarna Lítium-iónové batérie sa dajú nabíjať a používať na akejkoľvek úrovni nabitia. Batéria nie je poškodená. Plne nabitá batéria nestratí svoj náboj ani vtedy, keď ju necháte v nabíjačke.

LED displej	Stav nabíjania
Bliká LED 1	0 % – 25 %
LED 1 svieti, LED 2 bliká	25 % – 50 %
LED 1, LED 2 svietia, LED 3 bliká	50 % – 75 %
LED 1, LED 2, LED 3 svietia, LED 4 bliká	75 % – 100 %
LED 1, LED 2, LED 3, LED 4 svietia	Plne nabitá

Zapnutie výrobku

1. Otvorte kryt batérie.
2. Vložte nabitú batériu do držiaka batérie.
3. Otočte bezpečnostný kľúč do polohy 1. (Obr. 26)
4. Stojte za výrobkom.
5. Povoľte poistku naštartovania. (Obr. 17)
6. Potlačte páku pohonu smerom k hornej rukoväti. (Obr. 27)

Používanie SaveE™ funkcie

Výrobok je vybavený funkciou na šetrenie energie batérie (SaveE™), ktorá mu umožní dosiahnuť dlhší prevádzkový čas.

- Funkciu spustíte stlačením tlačidla SaveE™ do polohy 1. (Obr. 28)
- Funkciu zastavíte stlačením tlačidla SaveE™ do polohy 0.

Poznámka: Funkcia SaveE™ sa preruší automaticky, ak si stav terénu vyžaduje použiť vyšší výkon. Funkcia SaveE™ sa automaticky opäť spustí, keď to stav terénu umožní.

Funkcia vysokého zaťaženia

Keď výrobok kosí dlhú alebo mokrú trávu, motor automaticky zvýši otáčky. Motor sa vráti do štandardného režimu, keď už vysoké zaťaženie nie je potrebné.

Zastavenie motora

Počas prevádzky sa môže nôž a motor dočasne zastaviť kvôli prekážkam, ako je napríklad upchatie trávou pod krytom rezacej časti. Ak k tomu dôjde a držíte stlačenú rukoväť motorovej brzdy, výrobok sa automaticky znova spustí. Ak sa výrobok do 5 – 10 sekúnd znova nespustí, možno budete musieť vyčistiť priestor pod krytom rezacej časti. V časti Čistenie výrobku na strane 358.



VÝSTRAHA: Ak sa motor zastaví, výrobok sa za 5 – 10 sekúnd pokúsi automaticky znova spustiť. Pred kontrolou

krytu rezacej časti počkajte minimálne 15 sekúnd.



VÝSTRAHA: Pred kontrolou krytu rezacej časti uvoľnite rukoväť motorovej brzdy, otočte bezpečnostný kľúč do polohy 0, vyberte akumulátor a počkajte minimálne 5 sekúnd. V prípade odstránenia prekážky a náhodného spustenia výrobku hrozí nebezpečenstvo poranenia.

Zastavenie výrobku



VÝSTRAHA: Skôr než spustíte výrobok z dohľadu, otočte bezpečnostný kľúč do polohy 0.

1. Motor zastavíte uvoľnením brzdovej rukoväti motora. (Obr. 29)
2. Otvorte kryt akumulátora a otočte bezpečnostný kľúč do polohy 0. (Obr. 30)
3. Batériu vyberte zatlačením 2 uvoľňovacích tlačidiel a potiahnutím batérie smerom von. (Obr. 31)
4. Ak má akumulátor nízku kapacitu, nabite ho. Ďalšie informácie získate v časti Nabíjanie batérie na strane 356.

Zabezpečenie optimálnych výsledkov

- Vždy používajte ostrý nôž. Tupý nôž poskytuje nepravdivé výsledky kosenia a pokosený povrch trávniku zožltne. Ostrý nôž spotrebuje menej energie ako tupý nôž.
- Nekoste viac ako 1/3 dĺžky trávy. Najprv koste s nastavenou vysokou výškou rezu. Skontrolujte výsledok a znížte výšku rezu na príslušnú úroveň. Ak je tráva veľmi vysoká, pohybujte sa pomaly a ak je to potrebné, pokoste ju dvakrát.
- Zakaždým koste iným smerom, aby ste predišli vzniku pruhov na trávniku.
- Udržiavajte kryt kosačky čistý. Nahromadenie trávy a nečistoty na vnútornej strane krytu kosačky môže viesť k horšiemu výsledku kosenia. Pozrite si časť Čistenie výrobku na strane 358.

Údržba

Úvod



VÝSTRAHA: Pred vykonávaním akejkoľvek údržby si musíte prečítať kapitolu o bezpečnosti a porozumieť jej.

Údržba a opravné práce na výrobku si vyžadujú špeciálne školenie. Zaručujeme dostupnosť profesionálnych opravných prác a údržby. Ak vás predajca nie je servisný zástupca, kontaktujte predajcu,

ktorý vám poskytne informácie o najbližšom servisnom zástupcovi.

Podrobnejšie informácie nájdete na stránke www.husqvarna.com.

Plán údržby

Intervaly údržby sú vypočítané na základe každodenného používania výrobku. Ak sa výrobok nepoužíva každý deň, tieto intervaly sa menia.

V prípade údržby označenej symbolom * si pozrite pokyny v časti Bezpečnosť na strane 350.

	Pri každom použití	Mesačne	Každú sezónu
Vykonajte všeobecnú kontrolu.	X		
Vyčistite výrobok.	X		
Vyčistite priestor okolo výškovo nastaviteľného závesu rukoväte.	X		
Skontrolujte poistku naštartovania. *	X		
Skontrolujte, či sú bezpečnostné zariadenia na výrobku nepoškodené. *	X		
Skontrolujte rezné zariadenie.	X		
Skontrolujte kryt rezacej časti. *	X		
Skontrolujte rukoväť motorovej brzdy. *	X		
Skontrolujte, či nie je poškodená batéria.	X		
Skontrolujte nabitie batérie.	X		
Skontrolujte, či uvoľňovacie tlačidlá na akumulátore fungujú správne a riadne zaisťujú akumulátor vo výrobku.	X		
Skontrolujte, či nabíjačka batérií nie je poškodená, a presvedčte sa, či funguje správne.		X	
Skontrolujte prepojenia medzi batériou a výrobkom. Skontrolujte aj prepojenie medzi akumulátorom a nabíjačkou akumulátorov.			X

Vykonanie všeobecnej kontroly

- Uistite sa, že sú dotiahnuté matice a skrutky na výrobku.
- Skontrolujte, či káble výrobku nie sú v polohe, v ktorej by sa mohli poškodiť.

Čistenie výrobku

- Plastové diely čistite čistou a suchou handričkou.
- Výrobok neumývajte vodou. Voda môže preniknúť do batérie alebo motora a spôsobiť skrat alebo poškodenie výrobku.
- Na čistenie výrobku nepoužívajte vysokotlakový čistič.
- Nikdy nelejte vodu priamo na motor.
- Pomocou kefy odstráňte listy, trávu a nečistoty.

Čistenie batérie a nabíjačky batérií



VÝSTRAHA: Batériu ani nabíjačku batérií nečistite vodou.



VÝSTRAHA: Na čistenie akumulátora nepoužívajte žiadne chemické látky.

- Pred vloženie batérie do nabíjačky batérií skontrolujte, či sú batéria a nabíjačka batérií čisté a suché.
- Svorky batérie čistite stlačeným vzduchom alebo mäkkou a suchou handričkou.
- Povrch batérie a nabíjačky batérií čistite mäkkou a suchou handričkou.

Vyčistenie priestoru okolo výškovo nastaviteľného závesu rukoväte

- Pomocou kefy odstráňte listy, trávu a nečistoty. (Obr. 32)

Kontrola rezného zariadenia



VÝSTRAHA: Aby ste zabránili náhodnému spusteniu, otočte bezpečnostný kľúč do polohy 0, vyberte batériu a počkajte minimálne 5 sekúnd.



VÝSTRAHA: Pri vykonávaní údržby rezného zariadenia používajte ochranné rukavice. Nôž je veľmi ostrý a ľahko môže dôjsť k porezaniu.

1. Skontrolujte, či sa na reznom zariadení nenachádzajú známky poškodenia alebo praskliny. Poškodené rezné zariadenie vždy vymeňte.
2. Skontrolujte, či nie je poškodený alebo tupý nôž.

Poznámka: Po nabrúsení je potrebné nôž vyrovnať. Nôž nechajte nabrúsiť, vymeniť a vyrovnať v servisnom stredisku. Ak narazíte na predmet, ktorý spôsobí zastavenie výrobku, vymeňte poškodený nôž. Nechajte, aby servisné stredisko rozhodlo, či je možné nôž nabrúsiť alebo sa musí vymeniť.

Výmena noža

V časti Technické údaje na strane 361 nájdete informácie o správnom type noža.



VÝSTRAHA: Aby ste zabránili poraneniu prstov pri výmene noža, zaistite ho dreveným blokom. Nôž sa môže pohybovať, keď je motor vypnutý, a prsty sa môžu zaseknúť medzi nožom a nepohyblivými časťami.

2. Demontujte skrutku noža, pružnú podložku a čepeľ. (Obr. 34)
3. Skontrolujte držiak noža a skrutku noža kvôli známkam poškodenia.
4. Skontrolujte hriadeľ motora a uistite sa, že nie je ohnutý.
5. Pri upevňovaní nového noža nasmerujte zošikmené konce noža v smere krytu rezacej časti. (Obr. 35)
6. Uistite sa, že je nôž zarovnaný so stredom hriadeľa motora.
7. Pomocou dreveného bloku zaistite nôž. Pripevnite pérovú podložku a utiahnite skrutku a podložku momentom 23–28 Nm. (Obr. 36) (Obr. 34)
8. Rukou potočte nožom a uistite sa, že sa voľne otáča.



VÝSTRAHA: Používajte odolné rukavice. Nôž je veľmi ostrý a ľahko môže dôjsť k porezaniu.

9. Zapnite výrobok a otestujte nôž. Ak nôž nie je správne upevnený, výrobok vibruje alebo poskytuje neuspokojivé výsledky kosenia.

1. Pomocou dreveného bloku zaistite nôž. (Obr. 33)

Riešenie problémov

Batéria

Indikátory LED na batérii	Príčina	Riešenie
Bliká zelený indikátor LED.	Napätie batérie je nízke.	Nabite batériu. Pozrite si časť Nabíjanie batérie na strane 356.
Bliká indikátor LED, ktorý signalizuje poruchu.	Kapacita batérie je nízka.	Nabite batériu. Pozrite si časť Nabíjanie batérie na strane 356.
	Teplota pracovného prostredia je príliš vysoká alebo príliš nízka.	Batériu používajte v prostredí, v ktorom sa teplota pohybuje v rozsahu 5 °C až 40 °C.
	Prepätie.	Uistite sa, že sieťové napätie zodpovedá údajom uvedenému na výkonovom štítku výrobku. Vyberte batériu z nabíjačky batérií. Počkajte 5 sekúnd a znova vyskúšajte nabiť batériu. Ak problém pretrváva, obráťte sa na schváleného servisného zástupcu.
Svieti indikátor LED, ktorý signalizuje poruchu.	Rozdiel napätia článkov je priveľký (1 V).	Obráťte sa na schváleného servisného zástupcu.

Nabíjačka batérie

Indikátor LED na nabíjačke batérií	Príčina	Riešenie
Bliká indikátor LED, ktorý signalizuje poruchu.	Teplota pracovného prostredia je príliš vysoká alebo príliš nízka.	Nabíjačku batérie používajte v prostredí, v ktorom sa teplota pohybuje v rozsahu 5 °C až 40 °C.
Svieti indikátor LED, ktorý signalizuje poruchu.		Obráťte sa na schváleného servisného zástupcu.

Kosačka na trávu

Výstražný indikátor (dióda LED na signalizáciu chýb) sa nachádza pod krytom akumulátora.

Problém	Dióda LED na signalizáciu chýb (počet bliknutí)	Príčina	Riešenie
Bliká LED dióda signalizujúca poruchu. Generátor nefunguje správne.	5	Nôž je blokovaný.	Otočte bezpečnostný kľúč do polohy 0, aby sa zabránilo náhodnému spusteniu. Vyberte batériu a počkajte minimálne 5 sekúnd. Odstráňte možné prekážky a zabezpečte, aby sa nôž mohol voľne otáčať. Ak problém pretrváva, obráťte sa na schváleného servisného zástupcu.
		Otáčky motora výrazne klesajú a motor sa zastavuje.	Zvýšte výšku rezu. V časti Nastavenie výšky rezu na strane 356.
	10	Riadenie motora je príliš horúce.	Zastavte motor a počkajte, kým nevychladne.
Bliká LED dióda signalizujúca poruchu. Výrobok sa zastaví.	0	Chyba konektora akumulátora.	Skontrolujte konektor akumulátora.
	3	Motor je preťažovaný.	Zvýšte výšku rezu. V časti Nastavenie výšky rezu na strane 356.
	8	Kapacita batérie je nízka.	Nabite batériu. V časti Nabíjanie batérie na strane 356.
	9	Chyba batérie alebo žiaden signál z batérie.	Vložte batériu do výrobku správne a skontrolujte konektor batérie. Ak bliká chybový indikátor LED na batérii. V časti Stav batérie na strane 356.
	12	Nesprávny postup štartovania. Pred spustením motora bola aktivovaná rukoväť motorovej brzdy.	Uvoľnite rukoväť motorovej brzdy a počkajte približne 5 sekúnd. Výrobok spustíte opätovným stlačením rukoväti motorovej brzdy nadol.
Iné chyby.	Ak sa vyskytnú ďalšie chyby, otočte bezpečnostný kľúč do polohy 0, vyberte akumulátor a obráťte sa na autorizovaného servisného zástupcu.		

Preprava, skladovanie a likvidácia

Úvod



VÝSTRAHA: Neúmyselnému spusteniu počas prepravy a skladovania predídete otočením bezpečnostného kľúča do polohy 0, vybratím akumulátora a dodržaním aspoň 5-sekundovej prestávky.

Nastavenie výrobku do transportnej polohy

1. Výškovo nastaviteľný záves stlačte nohou. (Obr. 37)
2. Potiahnite rukoväť nahor a vytiahnite výškovo nastaviteľný záves z drážky.
3. Sklopte rukoväť dopredu, kým sa nebude nachádzať v koncovnej polohe. (Obr. 38)
4. Výškovo nastaviteľný záves sklopte smerom ku krytu rezacej časti. (Obr. 39)
5. Uvoľnite gombíky na rukoväti. (Obr. 40)
6. Hornú rukoväť sklopte smerom dozadu. (Obr. 41)

Preprava

- Právne predpisy upravujúce nebezpečný tovar sa vzťahujú aj na používané lítium-iónové batérie.
- Pri obchodnej preprave treba dodržiavať špeciálne požiadavky týkajúce sa balenia a štítkov.
- Počas prípravy výrobku na prepravu zaistíte, aby ste spĺňali právne predpisy týkajúce sa nebezpečných materiálov. Na túto situáciu sa môžu vzťahovať aj miestne nariadenia.
- Pred prepravou vždy vyberte batériu.
- Konektory batérie prelepte páskou a zaistíte, aby sa batéria počas prepravy nehýbala.
- Počas prepravy výrobok zaistíte.

Skladovanie

- Pred uskladnením nechajte výrobok vychladnúť.
- Pred uložením vždy vyberte batériu.
- Aby ste predišli nehodám, ubezpečte sa, že batéria nie je počas skladovania pripojená k výrobku.
- Nabíjačku batérie skladujte v uzavretých a suchých priestoroch.

- Batériu a nabíjačku batérie skladujte v uzavretých a suchých priestoroch, kde nie sú vystavené vlhkosti ani mrazu.
- Počas skladovania odpojte batériu od nabíjačky.
- Neskladujte batériu na mieste s výskytom statickej elektriny. Batériu nekladajte do kovovej skrinky.
- Výrobok skladujte pri teplote okolitého prostredia v rozsahu -10 °C až 40 °C.
- Batériu skladujte pri teplote okolitého prostredia v rozsahu 5 °C až 25 °C a nevystavujte ju priamemu slnečnému svetlu.
- Nabíjačku batérie skladujte pri teplote okolitého prostredia v rozsahu 5 °C až 45 °C a nevystavujte ju priamemu slnečnému svetlu.
- Pred dlhodobým skladovaním sa uistite, že batéria je nabitá na 30 – 50 % kapacity.
- Výrobok, batériu a nabíjačku batérie skladujte v uzamknutom priestore mimo dosahu detí a neoprávnených osôb.
- Vyčistite výrobok a uistite sa, že zberný kôš je prázdny.
- Vykonávajte údržbu uvedenú v tomto návode na obsluhu. Pozrite si časť Plán údržby na strane 357.
- Pred dlhodobým uskladnením vykonajte kompletný servis výrobku.

Likvidácia

Symbole na výrobku alebo na obale výrobku označujú, že sa tento výrobok nesmie likvidovať ako domáci odpad. Musí sa odovzdať do príslušnej recyklačnej stanice pre recykláciu elektrických a elektronických zariadení.

Zaistením správnej likvidácie tohto výrobku pomôžete zabrániť potenciálnemu negatívne dopadu na životné prostredie a zdravie ľudí, ktorý by inak mohol byť dôsledkom nesprávnej likvidácie tohto výrobku. Podrobnejšie informácie o recyklácii tohto výrobku získate na mestskom úrade, od služby zaisťujúcej spracovanie domáceho odpadu alebo v predajni, kde ste výrobok zakúpili.

(Obr. 42)

Technické údaje

	LB 144i
Kosiaci motor	
Typ motora	BLDC (bezkontaktný) 36V

	LB 144i
Otáčky motora – SavE, ot./min.	2600/min
Otáčky motora – menovité, ot./min.	3200/min
Otáčky motora – vysoké zaťaženie, ot./min.	3500/min
Výstupný výkon motora – max., kW	0,9
Výstupný výkon motora – menovitý, kW	0,75
Hnací motor	
Výstupný výkon motora – menovitý, kW	–
Rýchlosť kráčania, km/h	–
Úrovne nastavenia rýchlosti	–
Hmotnosť	
Hmotnosť (bez batérie), kg	15,5
Hmotnosť (vrátane 1x Bli30), kg	17,5
Batéria	
Typ batérie	Rad batérií Husqvarna
Prevádzková doba batérie	
Prevádzková doba batérie, min, (prevádzka naprázdno) s aktivovanou funkciou SavE, s batériou 7,5 Ah Husqvarna (Bli30).	170
Prevádzková doba batérie, min, (prevádzka naprázdno) s aktivovaným štandardným režimom, s 7,5 Ah batériou Husqvarna (Bli30).	135
Emisie hluku⁶⁴	
Nameraná hladina akustického výkonu, dB (A)	90
Zaručená úroveň hlučnosti L_{WA} dB(A)	92
Úrovne hlučnosti⁶⁵	
Hladina akustického tlaku pri uchu obsluhy, dB (A)	77
Úrovne vibrácií⁶⁶	
Rukoväť, m/s^2	0,7
Rezné zariadenie	
Výška rezu, mm	25 – 75
Šírka kosenia, cm	44
Štandardná čepeľ	Mulč 5298073-10
Príslušenstvo nožov	–

⁶⁴ Hladina hluku meraná ako akustický tlak (L_{WA}) v súlade s európskou smernicou 2000/14/ES.

⁶⁵ Uvádzané údaje o hladine akustického tlaku majú faktor neistoty (K) 1,5 dB (A).

⁶⁶ Uvádzané údaje týkajúce sa hladiny vibrácií majú faktor neistoty (K) 1,5 m/s^2 . Deklarovaná celková hodnota vibrácií bola meraná v súlade s Prílohou 1 normy EN 62841-4-3 a môže sa použiť na porovnanie jedného stroja s iným a na predbežné posúdenie expozície.

Schválené batérie	Typ	Kapacita batérie, Ah	Napätie, V	Hmotnosť, kg (lb)
40-B140	Lítium-iónová	4,0	36	2,6/1,2
BLi30	Lítium-iónová	7,5	36	4,2/1,9

Schválené nabíjačky pre uvedené batérie, BLi	Vstupné napätie, V	Frekvencia, Hz	Výkon, W
40-C80	100–240	50–60	68,8
QC250	220 – 240	50	250

Vyhlásenie o zhode

Vyhlásenie o zhode EÚ

My, spoločnosť **Husqvarna AB**, SE-561 82 Huskvarna, Švédsko, tel.: +46-36-146500, vyhlasujeme s plnou zodpovednosťou, že výrobok:

Popis	Kosačka na trávu
Značka	Husqvarna
Typ/model	LB 144i
Identifikácia	Výrobné čísla od roku 2022 a novšie

plne spĺňa nasledujúce smernice a nariadenia EÚ:

Nariadenie	Popis
2006/42/ES	„o strojových zariadeniach“
2014/30/EÚ	„o elektromagnetickej kompatibilite“
2000/14/ES	„týkajúca sa emisie hluku v prostredí pochádzajúceho zo zariadení používaných vo voľnom priestranstve“
2011/65/EÚ	„o obmedzení používania určitých nebezpečných látok v elektrických a elektronických zariadeniach“

a že sa pri ňom uplatňujú nasledujúce normy a technické špecifikácie: EN 62841-1:2015/AC:2015, EN IEC 62841-4-3:2021/A11:2021, EN ISO 12100:2010, EN 55014-1:2021, EN 55014-2:2021, EN IEC 61000-6-2:2019, EN IEC 61000-6-3:2021, EN IEC 63000:2018

Notifikovaný orgán: 0404, RISE SMP Svensk Maskinprovning AB, Box 4053, SE-904 03 Umeå, Sweden osvedčil zhodu so smernicou Rady 2000/14/ES, posudzovanie zhody: príloha VI.

Informácie týkajúce sa emisií hluku nájdete v časti

Technické údaje na strane 361.

Huskvarna, 2022-12-05



Claes Losdal, Manažér vývoja/Produkty pre záhradu
Husqvarna AB

Zodpovedný za technickú dokumentáciu



VSEBINA

Uvod.....	365	Odpravljanje težav.....	375
Varnost.....	366	Transport skladiščenje in odstranitev.....	376
Montaža.....	370	Tehnični podatki.....	377
Delovanje.....	371	Izjava o skladnosti.....	379
Vzdrževanje.....	373		

Uvod

Opis izdelka

Izdelek je rotacijska kosilnica, ki z enoto BioClip travo nareže v gnojilo.

Pregled izdelka

(Sl. 1)

1. Ročica/ročaj
2. Motorna zavorna ročica
3. Blokada vžiga
4. Dvižni ročici
5. Kosišče
6. Ročica za nastavitev višine košnje
7. Varnostni ključ
8. Pokrov baterije
9. Ročica za nastavitev višine krmilnega ročaja
10. Gumb SavE
11. Opozorilna lučka (lučka LED za napako)
12. Navodila za uporabo
13. Baterijski polnilnik (dodatna oprema)
14. Baterija (dodatna oprema)

Simboli na izdelku

- (Sl. 2) OPOZORILO
- (Sl. 3) Preberite navodila.
- (Sl. 4) OPOZORILO – Pazite na leteče predmete.
- (Sl. 5) Osebe naj se zadržujejo na varni razdalji.
- (Sl. 6) OPOZORILO – Z rokami in nogami ne segajte v območje rezila.
- (Sl. 7) OPOZORILO – Pred vzdrževanjem odklopite baterijo.
- (Sl. 8) Izdelek ali embalaža izdelka ne spadata med gospodinjne odpadke. Treba ga je reciklirati v zbirnem centru za reciklažo električne in elektronske opreme.

Namen uporabe

Izdelek uporabite za rezanje trave. Izdelka ne uporabljajte za druga opravila.

- (Sl. 9) Emisija hrupa v okolje je skladna z direktivami in uredbami EU, ZK ter zakonodajo Novega južnega Walesa, in sicer z direktivo "Zaščita okolja pri delu (nadzor hrupa) iz 2017". Zajamčena raven zvočne moči izdelka je navedena na in v Tehnični podatki na strani 377 in na oznaki.
- (Sl. 10) Priključek je v skladu z veljavnimi direktivami ES.
- (Sl. 11) Izdelek je v skladu z veljavnimi direktivami ZK.
- (Sl. 12) Izdelek je zaščiten pred kapljicami.
- (Sl. 13) Za zaustavitev sprostite ročico zavore motorja.
- (Sl. 14) Bralna koda.

Opomba: Ostali simboli in oznake na izdelku se nanašajo na zahteve za certifikacijo, ki veljajo za nekatere trge.

Odgovornost proizvajalca

Kot je navedeno v zakonodaji, ki ureja odgovornost proizvajalca, ne prevzemamo nikakršne odgovornosti za poškodbe, ki bi jih naši izdelki povzročili v naslednjih primerih:

- Izdelek ni pravilno popravljen.
- Izdelek je popravljen z deli, ki jih ni izdelal ali odobril proizvajalec.
- Na izdelku je nameščena dodatna oprema, ki je ni izdelal ali odobril proizvajalec.
- Izdelek ni bil popravljen v pooblaščenem servisnem centru ali pri pooblaščenem organu.

Varnostne definicije

Opozorila, svarila in opombe opozarjajo na posebej pomembne dele priročnika.



OPOZORILO: Se uporabi, če obstaja nevarnost telesne poškodbe ali smrti uporabnika ali opazovalcev ob neupoštevanju navodil v tem priročniku.



POZOR: Se uporabi, če obstaja nevarnost poškodbe izdelka, drugih materialov ali okolice ob neupoštevanju navodil v tem priročniku.

Opomba: Se uporabi za podajanje podrobnejših informacij, potrebnih v dani situaciji.

Splošna varnostna opozorila za izdelek



OPOZORILO: Preberite vsa varnostna opozorila, navodila, slike in specifikacije, dobavljene s tem izdelkom. Neupoštevanje vseh spodaj navedenih navodil lahko povzroči električni udar, požar in/ali težko telesno poškodbo.

Shranite vsa opozorila in navodila za bodočo uporabo. Izraz »izdelek« v opozorilih se nanaša na (ozičen) izdelek na omrežni pogon ali (brezžičen) izdelek na akumulatorski pogon.

Varnost delovnega področja

- Poskrbite za čistočo in dobro osvetlitev delovnega področja. Prenatrpani ali mračni prostori kar kličejo nesrečo.
- Izdelek ne uporabljajte v eksplozivnem okolju, na primer v bližini vnetljivih tekočin, plinov ali prahu. Izdelek sproža iskre, ki lahko vžgejo prah ali hlape.
- Ne dovolite, da bi bili med uporabo izdelka prisotni otroci ali opazovalci. Odvrtačenje pozornosti lahko povzroči izgubo nadzora.

Električna varnost

- Vtiči izdelka se morajo ujemati z vtičnico. Vtiča na noben način ne predelujte. Z ozemljenim izdelkom ne uporabljajte adapterjev za vtič. Nepredelani vtiči in ustrezne vtičnice poskrbijo za zmanjšano nevarnost električnega udara.
- Izogibajte se telesnega stika z ozemljenimi površinami, kot so cevi, radiatorji, štedilniki in hladilniki. Če je vaše telo ozemljeno, se nevarnost električnega udara poveča.

- Izdelka ne izpostavljajte dežju ali vlagi. Vлага, ki vdre v izdelek, povečuje nevarnost električnega udara.
- Ne ravnejte grobo s kablom. Kabla nikoli ne uporabljajte za prenašanje, vlečenje ali odklapanje izdelka iz vtičnice. Kabel ne sme priti v stik z vročino toplote, oljem, ostrimi robovi ali premikajočimi deli. Poškodovani ali zavozlani kabli povečujejo nevarnost električnega udara.
- Če uporabljate izdelek zunaj, uporabljajte kabelski podaljšek, ki je primeren za zunanjo uporabo. Za zmanjšanje nevarnosti električnega udara uporabljajte kabel, primeren za zunanjo uporabo.
- Če se ne morete izogniti upravljanju izdelka v vlažnem okolju, uporabite zaščitno napravo na diferenčni tok (RCD). Uporaba naprave RCD zmanjšuje nevarnost električnega udara.

Osebna zaščita

- Med uporabo izdelka bodite pozorni, pazite na svoja dejanja in ravnejte razumno. Ne uporabljajte izdelka, ko ste utrujeni oziroma pod vplivom drog, alkohola ali zdravil. Trenutek nepozornosti med uporabo izdelka lahko povzroči hudo telesno poškodbo.
- Uporabljajte osebno zaščitno opremo. Vedno uporabljajte zaščito za oči. Zaščitna oprema, na primer prašna maska, čevlji z nedrsečimi podplati, čelada ali zaščita za sluh, uporabljena v pravih okoliščinah, zmanjšuje nevarnost osebnih poškodb.
- Izogibajte se neželenemu zagonu. Preden izdelek priključite na omrežje ali akumulator, ga vzamete v roke ali ga prenašate, se prepričajte, da je stikalo v položaju za izklop. Prenašanje izdelka s prstom na stikalo ali priklop izdelka z vklopljenim stikalom lahko povzroči nesrečo.
- Preden izdelek vklopite, odstranite ključ za nastavitve ali izvijač. Če ostane ključ na vrtečem delu izdelka, lahko povzroči telesne poškodbe.
- Ne hodite predaleč. Vedno zanesljivo stopajte in pazite na ravnotežje. To vam omogoča boljši nadzor nad izdelkom ob nepričakovanih dogodkih.
- Primerno se oblecite. Ne nosite ohlapnih oblačil in nakita. Z lasmi in oblačili ne segajte v območje gibljivih delov. Ohlapne obleke, nakit ali dolgi lasje se lahko zapletejo v premične dele.
- Če so naprave opremljene s priključkom za odvajanje in zbiranje prahu, mora biti ta zaseden in pravilno uporabljen. Zbiranje prahu lahko zmanjša nevarnost zaradi vdihavanja tega.
- Kljub morebitni pogosti uporabi izdelka bodite previdni in upoštevajte varnostna opozorila za izdelek. Neprimerna uporaba lahko v trenutku povzroči hudo telesno poškodbo.

Uporaba in nega izdelka

- Ne preobremenjujte izdelka. Pri delu uporabljajte ustrezen izdelek. Pravilen izdelek bo delo opravil

- bolje in varneje, če deluje pri hitrosti, za katero je bil zasnovan.
- Izdelka ne uporabljajte, če stikalo za vklop/izklop ne deluje.** Izdelek, ki ga ni mogoče upravljati s stikalom, je nevaren in ga je treba popraviti.
- Pred izvajanjem nastavitve, menjavo priključkov ali shranjevanjem izdelka izvlecite vtič iz omrežne vtičnice in/ali odstranite baterijo iz izdelka, če je to mogoče. Taki preventivni ukrepi pomagajo zmanjšati nevarnost neželenega vklopa izdelka.
- Izdelek, ki ga ne potrebujete, shranite zunaj dosega otrok in ne dovolite, da bi ga uporabljale osebe, ki ne poznajo izdelka ali teh navodil.** Izdelek je v rokah nepoučenih uporabnikov nevaren.
- Vzdržujte izdelek in dodatno opremo. Preverite poravnavo ali zatikanje gibljivih delov. Prepričajte se, da noben del ni poškodovan, in preverite vsa druga stanja, ki bi lahko vplivala na delovanje izdelka. Če je izdelek poškodovan, ga pred uporabo odnesite v popravilo.** Veliko nesreč povzročijo slabo vzdrževani izdelki.
- Rezila naj bodo vedno ostra in čista.** Pravilno vzdrževana rezila z ostrimi rezalnimi robovi se manj zatikajo in jih je lažje kontrolirati.
- Izdelek, dodatno opremo, rezalne ploščice ipd. uporabljajte skladno s temi navodili ter upoštevajte delovne pogoje in delo, ki ga boste opravljali.** Uporaba izdelka za opravila, za katera ta izdelek ni namenjen, je lahko nevarna.
- Ročaji in prijemalne površine naj bodo suhi, čisti in brez ostankov olja in masti.** Če so ročaji in prijemalne površine spolzki, ne omogočajo varne uporabe in upravljanja izdelka v nepričakovanih razmerah.

Uporaba in nega baterije

- Baterijo polnite le s polnilnikom, ki ga določi proizvajalec.** Polnilnik, ki je primeren za eno vrsto baterij, lahko poveča nevarnost požara pri drugih baterijah.
- Izdelke uporabljajte le s točno določenimi baterijami.** Če uporabite druge baterije, se lahko poveča nevarnost poškodb in požara.
- Ko baterije ne uporabljate, ne sme priti v stik z drugimi kovinskimi predmeti, kot so sponke za papir, kovanci, ključji, žebliji, vijaki ali drugi majhni kovinski predmeti, ki lahko vzpostavijo povezavo med dvema poloma.** Kratek stik med poloma baterije lahko povzroči opekline ali požar.
- Ob nepravilni in grobi uporabi lahko iz baterije izteka tekočina; izogibajte se stiku s tekočino. Če se tekočine nehote dotaknete, sperite roke z vodo.** Če pride tekočina v stik z očmi, poiščite zdravniško pomoč. Tekočina, ki izteka iz akumulatorja, lahko povzroči draženje ali opekline.
- Ne uporabljajte poškodovanega ali spremenjenega baterijskega paketa ali orodja.** Poškodovane ali predelane baterije se lahko obnašajo nepredvidljivo in lahko posledično zagorijo, eksplodirajo ali predstavljajo nevarnost poškodb.
- Baterijskega paketa ali orodja ne izpostavljajte ognju ali previsokim temperaturam.** Izpostavljenost ognju ali temperaturam nad 130 °C (265 °F) lahko povzroči eksplozijo.
- Upoštevajte vsa navodila za polnjenje in ne polnite baterijskega paketa ali orodja pri temperaturah zunaj temperaturnega območja, navedenega v navodilih.** Neustrezna zamenjava ali temperature zunaj dovoljenega območja lahko povzročijo poškodbe baterije in povečajo nevarnost požara.

Servis

- Popravila izdelka sme izvajati usposobljen serviser, pri tem pa mora uporabljati originalne nadomestne dele.** S tem zagotovite ohranitev kakovosti in varnosti izdelka.
- Ne servisirajte poškodovanih baterijskih enot.** Baterijo lahko servisirajo samo pooblaščenji serviserji in proizvajalec.

Varnostna opozorila za kosilnico

- Kosilnice ne uporabljajte v slabem vremenu, zlasti ko obstaja nevarnost bliskanja.** S tem zmanjšate nevarnost udara strele.
- Prepričajte se, da na območju, na katerem nameravate uporabiti kosilnico, ni prstoživečih živali.** Kosilnica lahko med delovanjem poškoduje prstoživeče živali.
- Skrbno pregledjte območje, na katerem boste uporabljali kosilnico, ter odstranite vse kamne, veje, kable, kosti in druge predmete.** Zaradi izmeta predmetov lahko pride do telesnih poškodb.
- Pred uporabo kosilnice se vedno vizualno prepričajte, da rezilo in sklop rezila nista obrabljena ali poškodovana.** Obrabljeni ali poškodovani deli povečajo nevarnost telesnih poškodb.
- Pogosto preverjajte, ali je zbiralnik za travo obrabljen ali dotrajan.** Obrabljen ali poškodovan zbiralnik za travo lahko poveča tveganje za telesne poškodbe.
- Ščitniki naj ostanejo na mestu. Ščitniki morajo biti v delujočem stanju in pravilno nameščeni.** Razrahljan, poškodovan ali nedelujoč ščitnik lahko povzroči telesne poškodbe.
- Dovodi hladilnega zraka morajo biti prosti.** Zamašeni dovodi za zrak in umazanija lahko povzročijo pregrevanje ali nevarnost požara.
- Med uporabo kosilnice vedno nosite nedrsečo zaščitno obutev.** Kosilnice ne uporabljajte bosi ali v sandalih. S tem zmanjšate možnost poškodb stopal zaradi stika s premikajočim se rezilom.
- Med uporabo kosilnice obvezno nosite dolge hlače.** Izpostavljena koža poveča verjetnost poškodb zaradi letečih predmetov.
- Kosilnice ne uporabljajte na mokri travi. Hodite, nikoli ne tecite.** S tem zmanjšate tveganje zdrsa in padca, ki lahko povzročijo telesne poškodbe.
- Kosilnice ne uporabljajte na strminah z izjemno velikim naklonom.** S tem zmanjšate tveganje izgube

nadzora, zdrsa in padca, ki lahko povzroči telesne poškodbe.

- Pri delu na strminah se vedno prepričajte, da stojite na stabilni podlagi, vedno delajte v vodoravni smeri, nikoli navzgor ali navzdol, in bodite izjemno previdni pri spreminjanju smeri. S tem zmanjšate tveganje izgube nadzora, zdrsa in padca, ki lahko povzroči telesne poškodbe.
- Pri obračanju ali vleki kosilnice proti sebi bodite izjemno previdni. Pazite na okolico. Tako zmanjšate tveganje spotikanja med uporabo kosilnice.
- Rezila in drugih nevarnih gibljivih delov se ne dotikajte, kadar se premikajo. Tako zmanjšate tveganje telesnih poškodb zaradi gibljivih delov.
- Pri odstranjevanju zagozdenega materiala ali čiščenju kosilnice se prepričajte, da so vsa vklopna stikala izključena in da je napajalni kabel odklopljen. Nepričakovano delovanje kosilnice lahko povzroči hude telesne poškodbe.

Naprava na diferenčni tok

- Uporabljajte napravo na diferenčni tok s sprožilnim tokom največ 30 mA.

Splošna varnostna navodila



OPOZORILO: Pred uporabo izdelka preberite navodila v povezavi z opozorili v nadaljevanju.

- Ta izdelek je lahko nevaren, če ga ne uporabljate pravilno ali če niste previdni. Če ne upoštevate varnostnih navodil, lahko nastopijo poškodbe ali celo smrt.
- Izdelek med delovanjem ustvarja elektromagnetno polje. To polje lahko v nekaterih pogojih moti delovanje aktivnih ali pasivnih medicinskih vsadkov. Uporabnikom medicinskih vsadkov svetujemo, da se pred uporabo tega izdelka posvetujejo z zdravnikom ali proizvajalcem medicinskega vsadka, s čimer zmanjšajo nevarnost resnih ali smrtnih poškodb.
- Vedno bodite previdni in ravnajte razumno. Če niste prepričani, kako upravljati ta izdelek v določeni situaciji, prenehajte z delom in se pogovorite s prodajalcem Husqvarna.
- Ne pozabite, da je uporabnik odgovoren za nesreče, ki niso povzročili drugim ljudem ali njihovi lastnini.
- Stroj redno čistite. Pozorno preberite znake in nalepke.
- Naprave ne smejo uporabljati otroci ali osebe, ki niso seznanjene z navodili. Lokalni predpisi lahko omejujejo starost uporabnika.
- Če izdelek uporabljajo osebe z zmanjšanimi fizičnimi ali intelektualnimi sposobnostmi, jih nenehno nadzorujte. Vedno mora biti prisotna odgovorna odrasla oseba.
- Izdelka ne uporabljajte, ko ste utrujeni, bolni, ali pod vplivom alkohola, drog ali zdravil. To negativno vpliva na vaš vid, pozornost, koordinacijo in presojo.

- Izdelka ne uporabljajte, če je poškodovan.
- Izdelka ne spreminjajte ali uporabljajte, če obstaja možnost, da so ga spremenile tretje osebe.

Varnost pri delu



OPOZORILO: Pred uporabo izdelka preberite navodila v povezavi z opozorili v nadaljevanju.

- Ta izdelek uporabljajte izključno za košnjo trave. Ne uporabljajte ga za druga opravila.
- Uporabljajte osebno zaščitno opremo. Glejte Osebna zaščitna oprema na strani 369.
- V zasilnem primeru morate znati motor hitro izklopiti.
- Izdelka ne uporabljajte dežju ali visoki vlagi. Nevarnost električnega udara se poveča, če v izdelek vdre voda.
- Izdelka ne uporabljajte, če rezilo in vsi pokrovi niso nameščeni pravilno. Nepravilno nameščeno rezilo lahko odleti in povzroči poškodbe.
- Pazite, da rezilo ne udarja ob predmete, npr. kamenje in korenine. To lahko poškoduje rezilo in ukrivi motorno gred. Zvita os povzroča vibracije in zelo visoko tveganje, da rezilo odleti.
- Če rezilo trči ob predmet ali začutite vibracije, izdelek nemudoma izklopite. Izklopite motor, varnostni ključ obrnite v položaj 0 in odstranite baterijo. Počakajte, da se gibljivi deli ustavijo. Preglejte, ali je izdelek morda poškodovan. Trdno pritrudite razrahljane dele. Popravite poškodbe in zamenjajte poškodovane dele. Popravilo naj izvede pooblaščen servisier.
- Ročice zavore motorja nikoli ne pritrudite trajno na ročaj, ko motor deluje.
- Izdelek vklopite na stabilni in ravni podlagi. Prepričajte se, da rezilo ne trči ob tla ali druge predmete.
- Vedno bodite za izdelkom, ko ga upravljate.
- Ko upravljate izdelek, morajo biti vsa kolesa na tleh, prav tako pa imejte na ročaju obe roki. Z dlanmi in stopali se ne približujte vrtiljivim rezilom.
- Ne nagibajte izdelka med njegovim delovanjem in zagonom motorja.
- Ko izdelek potegneta nazaj, bodite previdni.
- Izdelka ne dvigajte, ko motor deluje. Če morate izdelek dvigniti, najprej izklopite motor, nato varnostni ključ obrnite v položaj 0 in odstranite baterijo.
- Med uporabo izdelka ne hodite vzvratno.
- Če morate izdelek nagniti zaradi prenašanja ali preden se premikate po območjih brez trave, na primer po poteh iz gramoza, kamna ali asfalta, izklopite motor.
- Pri delujočem motorju ne tecite z izdelkom. Pri uporabi tega izdelka vedno hodite.
- Pred spreminjanjem višine reza ustavite motor. Ne izvajajte nastavitve, ko motor deluje.

- Izdelek z delujočim motorjem morate imeti vedno na očeh. Izklopite motor in se prepričajte, da se rezalna oprema ne vrti.
- Treslaji v izdelku med njegovim delovanjem se lahko razlikujejo od vrednosti treslajev, navedenih v razdelku Tehnični podatki na strani 377. Razlika je posledica različnih načinov uporabe izdelka. Če izdelek uporabljate pogosto ali dlje časa, delajte redne premore, da preprečite telesne poškodbe zaradi treslajev.

Varnostna navodila za uporabo

Osebna zaščitna oprema



OPOZORILO: Pred uporabo izdelka preberite navodila v povezavi z opozorili v nadaljevanju.

- Osebna zaščitna oprema ne more popolnoma preprečiti poškodb, vendar v primeru nesreče omili posledice. Prodajalec naj vam pomaga izbrati ustrezno opremo.
- Uporabite trpežno obutev, ki ne drsi. Ne bodite bosi ali nosite odprtih čevljev.
- Obležene imejte trpežne, dolge hlače.
- Po potrebi uporabite zaščitne rokavice, npr. kadar pritrjujete, pregledujete ali čistite rezalno opremo.
- Priporočamo uporabo zaščite za sluh.

Varnostne naprave na izdelku



OPOZORILO: Pred uporabo izdelka preberite navodila v povezavi z opozorili v nadaljevanju.

- Ne uporabljajte izdelka s poškodovanimi varnostnimi napravami.
- Ne odstranjujte in ne spreminjajte varnostnih naprav.
- Redno preverjajte varnostne naprave. Če so varnostne naprave poškodovane, se obrnite na pooblaščen servisno delavnico Husqvarna.

Preverjanje pokrova rezila

Pokrov rezila zmanjšuje moč vibracij v izdelku in zmanjšuje nevarnost poškodb, katerih vzrok bi lahko bilo rezilo.

- Preglejte pokrov rezila in se prepričajte, da nima poškodb, kot so razpoke.

Preverjanje varnostnega ključa

Varnostni ključ je pod pokrovom baterije. Varnostni ključ skrbi za povezavo baterije, ki napaja motor.

- Zaženite in izklopite motor, da preverite varnostni ključ.
- Če varnostni ključ deluje pravilno, se motor zažene, ko varnostni ključ obrnete v položaj 1. (Sl. 15)

Preverjanje zavorne ročice motorja

Zavorna ročica motorja izklopi motor. Ko spustite zavorno ročico motorja, se motor ustavi.

- Zaženite izdelek. Glejte Zagon izdelka na strani 372.
- Sprostite motorno zavorno ročico. (Sl. 16)
- Prepričajte se, da se je izdelek zaustavil. Če se motor ne izklopi v 3 sekundah, mora izdelek preveriti pooblaščen serviser Husqvarna, ki mora nato nastaviti motorno zavoro.

Preverjanje blokade vžiga

Preverite blokado vžiga in se prepričajte, da onemogoča zagon motorja.

1. Ročico motorne zavore potisnite v smer ročaja. Blokada vžiga ustavi premikanje.
2. Blokado vžiga potisnite ven. (Sl. 17)
3. Sprostite gumb blokade vžiga in se prepričajte, da se vrne v izhodiščni položaj.

Varna uporaba baterije



OPOZORILO: Pred uporabo izdelka preberite navodila v povezavi z opozorili v nadaljevanju.

- Kot vir napajanja uporabljajte akumulatorske baterije Husqvarna; samo za povezane izdelke Husqvarna. Za preprečevanje poškodb baterije ne uporabljajte za napajanje drugih naprav.
- Ne uporabljajte baterij za enkratno uporabo.
- Nevarnost električnega udara. Poli baterije ne smejo priti v stik s ključi, kovanci, vijaki ali drugimi kovinskimi deli. Lahko bi prišlo do kratkega stika baterije.
- V zračne reže baterije ne vstavljajte predmetov.
- Baterije ne izpostavljajte neposredni sončni svetlobi, vročini ali odprtemu ognju. Baterija lahko eksplozira in povzroči opekline in/ali kemične opekline.
- Baterije ne izpostavljajte dežju in vlagi.
- Baterije ne izpostavljajte mikrovalovom in visokemu tlaku.
- Baterije ne poskušajte razstaviti ali odpreti.
- Če baterija pušča, pazite, da tekočina ne pride v stik s telesom ali očmi. Če ste se tekočine dotaknili, območje očistite z obilo vode in poiščite zdravniško pomoč.
- Baterijo uporabljajte samo v okolju s temperaturami med 5 °C in 40 °C.
- Polnilnik baterije uporabljajte samo v okolju s temperaturami med 5 °C in 40 °C.
- Če temperatura baterije presega 50 °C, se baterija ne bo polnila.
- Baterije ali polnilnika nikoli ne čistite z vodo. Glejte Čiščenje baterije in baterijskega polnilnika na strani 374.

- Ne uporabljajte poškodovanih ali pokvarjenih baterije.
- Baterije med skladiščenjem ne smejo priti v stik s kovinskimi predmeti, na primer žebliji, kovanci ali nakitom.

Varna uporaba polnilnika baterije



OPOZORILO: Pred uporabo izdelka preberite navodila v povezavi z opozorili v nadaljevanju.

- Za polnjenje nadomestnih baterij Husqvarna uporabljajte samo polnilnike baterij QC.
- Nevarnost električnega udara ali kratkega stika. V zračne reže polnilnika ne vstavljajte predmetov. Polnilnika baterije ne poskušajte razstaviti. Poli na polnilniku se ne smejo dotikati kovinskih predmetov. Uporabljajte homologirano omrežno vtičnico.
- Izdelek med delovanjem ustvarja elektromagnetno polje. To polje lahko v nekaterih pogojih moti delovanje aktivnih ali pasivnih medicinskih vsadkov. Uporabnikom medicinskih vsadkov svetujemo, da se pred uporabo tega izdelka posvetujejo z zdravnikom ali proizvajalcem medicinskega vsadka, s čimer zmanjšajo nevarnost resnih ali smrtnih poškodb.
- Redno preverjajte, da napajalni kabel polnilnika ni poškodovan in ni napakan.
- Baterijskega polnilnika ne dvigujte za napajalni kabel. Polnilnik baterije odklopite iz stenske vtičnice tako, da povlečete vtič. Nikoli ne vlecite za napajalni kabel.
- Pazite, da se napajalni kabel in kabelski podaljški ne dotaknejo vode, olja in ostrih robov. Kabli ne smejo biti preščipnjeni med vrata, ograje in podobne dele. Zaradi tega je lahko polnilnik pod napetostjo.
- Polnilnika baterije nikoli ne čistite z vodo.
- Polnilec baterije lahko uporabljajo otroci, stari 8 let in več, ter osebe z omejenimi telesnimi, zaznavalnimi ali duševnimi sposobnostmi ali s pomanjkanjem izkušenj in znanja, če so pri tem pod nadzorom ali jih o varni uporabi ter morebitnih nevarnostih podučijo odgovorna oseba. Otroci se s polnilnikom ne smejo igrati. Otroci naprave brez nadzora ne smejo čistiti, ali opravljati običajnih uporabnikovih vzdrževalnih posegov.
- V baterijskem polnilniku ne polnite baterij za enkratno uporabo.
- Baterijskega polnilnika ne uporabljajte v bližini gorljivih materialov ali materialov, ki povzročajo

korozijo. Ne pokrivajte polnilnika baterije. V primeru dima ali požara izvlecite vtič polnilnika baterije.

- Ne uporabljajte poškodovanega ali pokvarjenega polnilnika baterije.
- Baterijo polnite le v zaprtih prostorih z dobrim prezračevanjem, kjer je zaščitena pred neposredno sončno svetlobo. Baterijske enote ne polnite v stiku z vodo ali vlago.

Varnostna navodila za vzdrževanje



OPOZORILO: Pred uporabo izdelka preberite navodila v povezavi z opozorili v nadaljevanju.

- Za preprečevanje neželenega zagona med vzdrževanjem morate varnostni ključ obrniti v položaj 0 in odstraniti baterijo. Pred začetkom vzdrževalnih del počakajte najmanj 5 sekund.
- Vzdrževalna dela opravite tako, kot piše v teh navodilih za uporabo. Zahtevnejše posege in profesionalna popravila mora opraviti pooblaščen servisier. Za več informacij se obrnite na najbližjega servisnega zastopnika.
- Vzdrževalna dela opravljajte pravilno in tako podaljšajte življenjsko dobo izdelka ter zmanjšajte nevarnost nesreč.
- Zamenjajte poškodovane, obrabljene ali zlomljene dele. Vedno uporabljajte originalne nadomestne dele proizvajalca. Drugi nadomestni deli lahko poškodujejo izdelek in povečajo nevarnost nesreč.
- Da preprečite nastanek telesnih poškodb, ne odstranjujte in ne spreminjajte varnostnih naprav.
- Pri delu z rezalno opremo morate nositi močne zaščitne rokavice. Rezilo je izjemno ostro, zato lahko hitro pride do ureznin.
- Za najboljše in najvarnejše delovanje morajo biti rezalni robovi ostri in čisti.
- Izdelek naj redno preverja in po potrebi nastavlja ter popravlja pooblaščen servisna delavnica.
- Upošteвайте navodila za zamenjavo dodatne opreme. Uporabljajte samo dodatno opremo, ki jo odobri proizvajalec.
- Ko izdelka ne uporabljate, morate izdelek, baterijo in polnilnik baterije hraniti ločeno v suhem, zaprtem in zaklenjenem prostoru. Otroci in osebe, katerim uporaba ni dovoljena, ne smejo imeti dostopa do izdelka, baterije ali polnilnika baterije.

Montaža

Uvod



OPOZORILO: Preden sestavite izdelek, preberite poglavje o varnosti.



OPOZORILO: Neželen vklop med sestavljanjem preprečite tako, da ključ obrnete v položaj 0, odstranite baterijo in počakate vsaj 5 sekund.

Montaža ročice

1. Zgornji ročaj potisnite naprej.
2. Privijte gumbe ročaja. (Sl. 18)
3. Ročaj povlecite nazaj do končnega položaja.
4. Preplovite ročico za nastavev višine in jo postavite v utor. (Sl. 19)
5. Z nogo potisnite navzdol ročico za nastavev višine. (Sl. 20)

Nastavev višine ročice

1. Z nogo potisnite navznoter ročico za nastavev višine.
2. Ročaj namestite v pravičen položaj in ga sprostite. (Sl. 21)

Delovanje

Uvod



OPOZORILO: Pred uporabo izdelka morate prebrati in razumeti poglavje o varnosti.

Husqvarna Connect

Husqvarna Connect je brezplačna aplikacija za vašo mobilno napravo. Aplikacija Husqvarna Connect omogoča razširitev funkcij vašega izdelka Husqvarna:

- Dodatne informacije o izdelku.
- Informacije o izdelku, delih in servisu ter pomoč.

Začetek uporabe: Husqvarna Connect

1. V mobilno napravo si prenesite aplikacijo Husqvarna Connect.
2. Registrirajte se v aplikaciji Husqvarna Connect.
3. Za vzpostavitev povezave in registracijo izdelka sledite navodilom v aplikaciji Husqvarna Connect.

Nastavev kosilnice v delovni položaj

1. Sestavite ročaj. Glejte, Montaža ročice na strani 371.
2. Nastavev višine ročaja. Glejte, Nastavev višine ročice na strani 371.



POZOR: Prepričajte se, da kablji niso preveč napeti. Če so kablji preveč napeti, lahko pride do poškodb, ko ročaj preklopite v položaj za transport.



OPOZORILO: Izdelek uporabljajte samo, če je ročaj pomaknjen do konca navzgor in je nastavljen v enem od ustreznih višinskih položajev. Glejte, Nastavev višine ročice na strani 371.

Nastavev višine košnje

Košnjo lahko nastavite na 6 različnih višin.

1. Izklopite motor.

2. Povlecite ročico za nastavev višine košnje nazaj, da povečate višino rezanja. (Sl. 22)
3. Potisnite ročico za nastavev višine košnje naprej, da znižate višino rezanja.



POZOR: Ne nastavite višino rezanja prenizko. Rezila lahko trčijo ob tla, če površina travnika ni ravna.

Akumulator



OPOZORILO: Pred uporabo baterije morate prebrati in razumeti poglavje o varnosti. Prebrati in razumeti morate tudi navodila za uporabo, ki so priložena bateriji in polnilniku.

Baterijo in polnilnik baterije shranjujte v prostoru s pravilno temperaturo.

	Temperatura okolice
Delovanje baterije	Od 5 °C do 40 °C
Polnjenje baterije	Od 5 °C do 40 °C

Stanje baterije

Na zaslonu je prikazan nivo preostale napolnjenosti baterije in podatki o morebitnih težavah z baterijo. Napolnjenost baterije je prikazana še 5 sekund po tem, ko izklopite napravo ali pritisnete gumb indikatorja baterije. V primeru napake sveti na bateriji opozorilni indikator. Glejte Akumulator na strani 375.

(Sl. 23)

Lučke LED	Stanje baterije
Vse lučke LED svetijo.	Polna napolnjenost (75–100 %)
Svetijo lučke LED 1, 2 in 3.	50–75-odstotna napolnjenost
Svetita lučki LED 1 in 2.	25–50-odstotna napolnjenost

Lučke LED	Stanje baterije
Sveti lučka LED 1.	0–25-odstotna napoljenost
LED 1 utripa.	Baterija je prazna. Napolnite baterijo.

Polnjenje baterije

Baterijo pred prvo uporabo napolnite. Baterija je ob dobavi napolnjena na 30 %.

Opomba: Baterijski polnilnik mora biti priključen na napetost in frekvenco, ki sta navedena na tipski ploščici.

Če je temperatura baterije višja od 50 °C, se ne polni. Polnilnik baterije pred polnjenjem zniža temperaturo baterije.

1. En konec napajalnega kabla vstavite v konektor v polnilniku baterije.
2. Drugi konec napajalnega kabla polnilnika priklopite v primerno ozemljeno električno vtičnico. Indikator LED na polnilniku baterije enkrat utripne zeleno. (Sl. 24)
3. Baterijo vstavite v polnilnik baterije. Zeleni indikator na polnilniku se vklopi, ko je baterija pravilno vstavljena v polnilnik. (Sl. 25)
4. Ko se vsi indikatorji LED na bateriji vklopijo, je baterija popolnoma napolnjena. Baterijo polnite največ 24 ur.
5. Polnilnik baterije iz stenske vtičnice izvlecite za vtič, ne za kabel.
6. Odstranite baterijo iz polnilnika.

Stanje napoljenosti baterije

Litij-ionske baterije Husqvarna lahko polnite pri vseh stopnjah napoljenosti. Baterija se ne poškoduje. Do konca napolnjena baterija se ne prazni, če jo pustite v polnilniku.

Indikatorji LED	Stanje napoljenosti
LED 1 utripa.	0–25 %
LED 1 sveti, LED 2 utripa.	25–50 %
LED 1 in 2 svetita, LED 3 utripa.	50–75 %
LED 1, 2 in 3 svetijo, LED 4 utripa.	75–100 %
LED 1, 2, 3 in 4 svetijo.	Polna napoljenost

Zagon izdelka

1. Odprite pokrov za baterijo.
2. Napolnjeno baterijo vstavite v držalo za baterije.
3. Varnostni ključ obrnite v položaj 1. (Sl. 26)

4. Ostanite za izdelkom.
5. Sprostite blokado vžiga. (Sl. 17)
6. Ročico motorne zavore potisnite v smer ročaja. (Sl. 27)

Uporaba funkcije SaveE™

Izdelek je opremljen s funkcijo varčevanja z baterijo (SaveE™), ki omogoča daljši čas delovanja.

- Pritisnite gumb SaveE™ v položaj 1, da začnete izvajati funkcijo. (Sl. 28)
- Znova pritisnite gumb SaveE™ v položaj 0, če želite funkcijo izklopiti.

Opomba: Funkcija SaveE™ se samodejno izklopi, če je zaradi pogojev tal potrebna večja moč. Funkcija SaveE™ se znova samodejno zažene, ko pogoji tal to dopuščajo.

Funkcija visoke obremenitve

Ko izdelek kosi dolgo ali mokro travo, motor samodejno poveča število vrtljajev. Motor znova preklopi v normalni način, ko višja obremenitev ni več potrebna.

Ugašanje motorja

Med delovanjem izdelka se lahko rezilo in motor začasno ustavita zaradi ovir, kot je zagozdena trava pod pokrovom rezila. Če se to zgodi in držite zavorno ročico motorja potisnjeno navzdol, se izdelek samodejno znova zažene. Če se izdelek ne zažene znova v 5–10 sekundah, boste morda morali očistiti pod pokrovom rezila. Glejte Čiščenje izdelka na strani 374.



OPOZORILO: Če se motor zaustavi, se izdelek poskuša v 5–10 sekundah samodejno znova zagnati. Počakajte najmanj 15 sekund, preden preverite pokrov rezila.



OPOZORILO: Preden preverite pokrov rezila, sprostite zavorno ročico motorja, obrnite varnostni ključ v položaj 0, odstranite baterijo in počakajte najmanj 5 sekund. Če se ovira odstrani in se izdelek nenamerno zažene, obstaja nevarnost telesnih poškodb.

Izklop izdelka



OPOZORILO: Pred zaponjanjem izdelka morate varnostni ključ obrniti v položaj 0.

1. Za izklop motorja sprostite ročico motorne zavore. (Sl. 29)

2. Odprite pokrov baterije in varnostni ključ obrnite v položaj 0. (Sl. 30)
 3. Za odstranitev baterije pritisnite 2 gumba za sprostitev baterije, nato pa jo izvlčite. (Sl. 31)
 4. Napolnite baterijo, če je izpraznjena. Za več informacij glejte razdelek Polnjenje baterije na strani 372.
- Ne odrežite več kot tretjino dolžine travnih bilk. Najprej kosite z visoko nastavitvijo višine košnje. Preglejte rezultat in nastavite višino košnje na ustrezno višino. Če je trava zelo visoka, vozite počasi in po potrebi kosite dvakrat.
 - Vsakič kosite v različnih smereh, da se na travi ne bi pojavile črte.
 - Pokrov kosišča mora biti čist. Obloge iz trave in umazanije na notranji strani pokrova kosišča lahko zmanjša učinkovitost košnje. Glejte Čiščenje izdelka na strani 374.

Kako doseči dober rezultat

- Vedno uporabljajte ostra rezila. Če uporabljate topo rezilo, bo trava pokošena neenakomerno, ob zarezah pa lahko postane tudi rumena. Ostro rezilo prav tako porabi manj energije kot topo rezilo.

Vzdrževanje

Uvod



OPOZORILO: Pred izvajanjem vzdrževalnih del morate prebrati in razumeti poglavje o varnosti.

Za servisiranje in popravila na izdelku posebno usposabljanje ni potrebno. Zagotavljamo, da vam bodo na voljo strokovna popravila in servisiranje. Če vaš prodajalec ni pooblaščen serviser, ga povprašajte, kje je naslednja najbližja pooblaščen servisna delavnica.

Za več informacij glejte www.husqvarna.com.

Urnik vzdrževanja

Izračunani intervali vzdrževanja veljajo za vsakodnevno uporabo izdelka. Intervali se spremenijo, če izdelka ne uporabljate vsakodnevno.

Za vzdrževalna dela, označena z *, glejte navodila v Varnost na strani 366.

	Pri vsaki uporabi	Mesečno	Vsako sezono
Opravite splošen pregled.	X		
Izdelek očistite.	X		
Očistite območje okoli ročice za nastavev višine krmilnega ročaja.	X		
Preverite blokado vžiga. *	X		
Prepričajte se, da varnostne naprave izdelka niso poškodovane. *	X		
Preverite rezalno opremo.	X		
Preglejte pokrov rezila. *	X		
Preverite ročico motorne zavore. *	X		
Preverite, ali je baterija poškodovana.	X		
Preverite napolnjenost baterije.	X		
Prepričajte se, da gumba za sprostitev na bateriji delujeta pravilno in omogočata pravilen zaklep baterije v izdelku.	X		
Preverite, ali je polnilnik baterije poškodovan, in se prepričajte, da pravilno deluje.		X	
Preverite povezave med baterijo in izdelkom. Preverite tudi povezave med baterijo in polnilnikom baterije.			X

Izvajanje splošnih pregledov

- Prepričajte se, da so matice in vijaki na izdelku dobro priviti.
- Prepričajte se, da kablji na izdelku niso v položaju, v katerem bi se lahko poškodovali.

Čiščenje izdelka

- Plastične dele čistite s čisto in suho krpo.
- Izdelka ne čistite z vodo. Voda lahko vdre v baterijo ali motor in povzroči kratki stik ali poškoduje izdelek.
- Izdelka ne čistite z visokotlačnim čistilnikom.
- Vode ne zlivajte neposredno na motor.
- S krtačo odstranite listje, travo in umazanijo.

Čiščenje baterije in baterijskega polnilnika



OPOZORILO: Baterije ali polnilnika nikoli ne čistite z vodo.



OPOZORILO: Izdelka ne čistite s kemičnimi snovmi.

- Pred vstavljanjem baterije v polnilnik baterije se prepričajte, da sta baterija in polnilnik baterije čista in suha.
- Pola baterije očistite s stisnjenim zrakom ali za čiščenje uporabite mehko in suho krpo.
- Površine baterije in polnilnika očistite z mehko in suho krpo.

Očistite območje okoli ročice za nastavitev višine krmilnega ročaja.

- S krtačo odstranite listje, travo in umazanijo. (Sl. 32)

Kako pregledati rezalno opremo



OPOZORILO: Neželen vklop preprečite tako, da varnostni ključ obrnete v položaj 0, odstranite baterijo in počakate vsaj 5 sekund.



OPOZORILO: Pri vzdrževanju rezalne opreme uporabite zaščitne rokavice. Rezilo

je izjemno ostro, zato lahko hitro pride do ureznin.

1. Preverite, ali je rezalna oprema poškodovana oziroma razpokana. Če je rezalna oprema poškodovana, jo zamenjajte.
2. Preverite, ali je rezilo poškodovano ali topo.

Opomba: Rezilo morate po brušenju postaviti v ravnovesje. Izdelek peljite na servisni center, da rezilo nabrusijo, zamenjajo in uravnovesijo. Če trčite ob oviro in se izdelek ustavi, zamenjajte poškodovano rezilo. Pooblaščen servisna delavnica naj oceni, ali lahko rezilo izostrijo ali pa ga je treba zamenjati.

Zamenjava rezil

Glejte, Tehnični podatki na strani 377 za pravilno vrsto rezila.



OPOZORILO: Preden zamenjate rezilo, ga zablokirajte z leseno klado, da preprečite poškodbe prstov. Rezilo se lahko premakne, ko je motor izklopljen, prsti pa se lahko ujamejo med rezilo in nepremičnimi deli.

1. Rezilo blokirajte z leseno klado. (Sl. 33)
2. Odstranite vijak rezila, vzmetno podložko in rezilo. (Sl. 34)
3. Preverite, ali sta nosilec in vijak rezila poškodovana.
4. Preverite motorno gred in se prepričajte, da ni zvita.
5. Ko pritrdite novo rezilo, usmerite nagnjene strani rezila v smer pokrova rezila. (Sl. 35)
6. Prepričajte se, da je rezilo poravnano s središčem motorne gredi.
7. Rezilo blokirajte z leseno klado. Pritrdite podložko vzmeti in privijte vijak in podložko z zateznim momentom 23–28 Nm. (Sl. 36) (Sl. 34)
8. Ročno zavrtite rezilo in se prepričajte, da se prosto obrača.



OPOZORILO: Nosite trpežne rokavice. Rezilo je izjemno ostro, zato lahko hitro pride do ureznin.

9. Izdelek vklopite, da preizkusite rezilo. Če rezilo ni pritrjeno pravilno, bo izdelek vibriral, rezultat košnje pa ne bo zadovoljiv.

Odpravljanje težav

Akumulator

LED na bateriji	Vzrok	Rešitev
Zeleni indikator LED utripa	Napetost baterije je prenizka.	Napolnite baterijo. Glejte Polnjenje baterije na strani 372.
Indikator LED za napako utripa.	Napolnjenost baterije je nizka.	Napolnite baterijo. Glejte Polnjenje baterije na strani 372.
	Temperatura v delovnem okolju je previsoka ali prenizka.	Baterijo uporabljajte v okolju s temperaturami med 5 °C in 40 °C.
	Prenapetost.	Prepričajte se, ali je napetost omrežja enaka napetosti, navedeni na tipski ploščici izdelka. Odstranite baterijo iz polnilnika. Počakajte 5 sekund in baterijo poskusite napolniti znova. Če napake ne morete odpraviti, se obrnite na pooblaščenega servisnega zastopnika.
Indikator LED za napako sveti.	Razlika med celicami je prevelika (1 V).	Obrnite se na pooblaščenega servisnega zastopnika.

Baterijski polnilnik

LED na polnilniku baterije	Vzrok	Rešitev
Indikator LED za napako utripa.	Temperatura v delovnem okolju je previsoka ali prenizka.	Polnilnik baterije uporabljajte v okolju s temperaturami med 5 °C in 40 °C.
Indikator LED za napako sveti.		Obrnite se na pooblaščenega servisnega zastopnika.

Vrtna kosilnica

Opozorilni indikator (lučka LED za napako) je pod pokrovom baterije.

Težava	Lučka LED za napako (število utripov)	Vzrok	Rešitev
Utripanje lučke LED za napako. Izdelek ne deluje pravilno.	5	Rezilo je blokirano.	Obrnite kontaktni ključ v položaj 0, da preprečite nenameren zagon. Odstranite baterijo in počakajte najmanj 5 sekund. Odstranite morebitne ovire in se prepričajte, da se rezilo lahko prosto vrti. Če napake ne morete odpraviti, se obrnite na pooblaščenega servisnega zastopnika.
		Število vrtljajev motorja preveč upade in motor se izklopi.	Dvig višine košnje. Glejte, Nastavitev višine košnje na strani 371.
	10	Krmilnik motorja je prevroč.	Izklopite motor in počakajte, da se ohladi.
Utripanje lučke LED za napako. Izdelek se zaustavi.	0	Napaka priključka baterije.	Preverite priključek baterije.
	3	V motorju prihaja do preobremenjenosti.	Dvig višine košnje. Glejte, Nastavitev višine košnje na strani 371.
	8	Napolnjenost baterije je nizka.	Napolnite baterijo. Glejte, Polnjenje baterije na strani 372.
	9	Napaka baterije ali baterija ne oddaja signala.	Baterijo pravilno vstavite v izdelek in preverite priključek baterije. Če indikator LED na bateriji utripa. Glejte, Stanje baterije na strani 371.
	12	Napačen postopek zagona. Motorna zavorna ročica je aktivirana pred zagonom motorja.	Sprostite motorno zavorno ročico in počakajte približno 5 sekund. Motorno zavorno ročico znova potisnite navzdol, da zaženete izdelek.
Druge napake.	Če pride do drugih napak, obrnite ključ v položaj 0, odstranite baterijo in se obrnite na pooblaščenega serviserja.		

Transport skladiščenje in odstranitev

Uvod



OPOZORILO: Neželen vklop med prevozom in skladiščenjem preprečite tako, da ključ obrnete v položaj 0, odstranite baterijo in počakate vsaj 5 sekund.

- Ročico za nastavitev višine krmilnega ročaja prepolovite proti pokrovu rezila. (Sl. 39)
- Sprostite gumbe ročaja. (Sl. 40)
- Zgornji ročaj potisnite nazaj. (Sl. 41)

Prevoz

- Za vstavljene litij-ionske baterijske enote veljajo zahteve zakonodaje o nevarnem blagu.
- Pri transportu v komercialne namene morate upoštevati posebne zahteve, navedene na pakiranju in nalepkah.
- Pri pripravi izdelka za transport morate upoštevati uredbe za ravnanje z nevarnimi materiali. Veljajo lokalni predpisi.
- Baterijo pri prevozu vedno odstranite.

Nastavitev izdelka v transportni položaj

- Z nogo potisnite navznoter ročico za nastavitev višine. (Sl. 37)
- Ročaj povlecite navzgor in ročico za nastavitev višine povlecite iz utora.
- Ročaj prepolovite naprej do končnega položaja. (Sl. 38)

- Na priključke baterije namestite izolacijski trak in se prepričajte, da se baterija med transportom ne more premikati.
- Med izdelek pritrdite.

Shranjevanje

- Pustite, da se izdelek ohladi, preden ga shranite.
- Baterijo pri skladiščanju vedno odstranite.
- Za preprečevanje nesreč baterija med skladiščanjem ne sme biti priklopljena.
- Polnilnik baterije vedno hranite v zaprtem in suhem prostoru.
- Baterijo in polnilnik baterije hranite v zaprtem prostoru, kjer ni vlage ali nevarnosti zamrzovanja.
- Med shranjevanjem baterijo odstranite iz polnilnika.
- Baterijske ne shranjujte na mestu, kjer je lahko prisotna statična elektrika. Baterije ne shranjujte v kovinski škatli.
- Izdelek shranjujte v prostoru s temperaturo med -10 °C in 40 °C .
- Baterijo shranjujte v prostoru s temperaturo med 5 °C in 25 °C , ki je zaščiten pred neposredno sončno svetlobo.
- Polnilnik baterije shranjujte v prostoru s temperaturo med 5 °C in 45 °C , ki je zaščiten pred neposredno sončno svetlobo.
- Pred dolgotrajnejšim skladiščanjem mora biti baterija napolnjena med 30 % in 50 %.

- Izdelek, baterijo in polnilnik hranite v zaklenjenem prostoru, do katerega otroci in nepooblaščen osebe nimajo dostopa.
- Očistite izdelek in se prepričajte, da je zbiralnik za travo prazen.
- Vzdrževalna dela opravite tako, kot je navedeno v teh navodilih za uporabo. Glejte Urnik vzdrževanja na strani 373.
- Če nameravate izdelek shraniti za dalj časa, najprej opravite popoln servis.

Odlaganje

Simboli na izdelku ali njegovi embalaži opozarjajo, da izdelka ne smete obravnavati kot gospodinjskega odpadka. Odnesti ga je treba v ustrezno zbirališče, kjer bodo poskrbeli za recikliranje električnih in elektronskih naprav.

Z zagotavljanjem pravilne obravnave izdelka boste pomagali preprečiti njegov morebiten škodljiv učinek na okolje in ljudi, do katerega bi lahko prišlo, kot posledica nepravilnega upravljanja z odpadki. Podrobnejše informacije o recikliranju tega izdelka lahko dobite v svoji občini, v komunalnem podjetju ali v trgovini, kjer ste ga kupili.

(Sl. 42)

Tehnični podatki

	LB 144i
Motor rezalne enote	
Tip motorja	BLDC (brezkrtačni enosmerni) 36 V
Št. vrt. motorja – SavE, vrt/min	2600 vrt/min
Št. vrt. motorja – nazivno, vrt/min	3200 vrt/min
Št. vrt. motorja – visoka obremenitev, vrt/min	3500 vrt/min
Najvišja izhodna moč motorja v kW	0,9
Nazivna izhodna moč motorja v kW	0,75
Pogonski motor	
Nazivna izhodna moč motorja v kW	Ni navedeno
Hitrost samohodnega pogona, km/h	Ni navedeno
Stopnje hitrosti	Ni navedeno
Teža	
Teža (vklj. z baterijo) v kg	15,5
Teža (vklj. z 1x Bli30), kg	17,5

	LB 144i
Baterija	
Vrsta baterije	Serijske baterije Husqvarna
Avtonomija baterije	
Avtonomija baterije, najkrajša, (prosto delovanje) z aktivirano funkcijo SavE, z eno baterijo Husqvarna z močjo 7,5 Ah (BLi30).	170
Avtonomija baterije, najkrajša, (prosto delovanje) z aktiviranim standardnim načinom, z eno baterijo Husqvarna moči 7,5 Ah (BLi30).	135
Emisije hrupa ⁶⁷	
Raven zvočne moči, izmerjena v dB (A)	90
Raven zvočne moči, zajamčena L _{WA} v dB(A)	92
Nivoji hrupa ⁶⁸	
Nivo zvočnega tlaka pri ušesu operaterja, dB(A)	77
Ravni vibracij ⁶⁹	
Ročaj, m/s ²	0,7
Rezalna oprema	
Višina reza v mm	25-75
Širina reza v cm	44
Standardno rezilo	Mulčenje 5298073-10
Dodatno rezilo	Ni navedeno

Homologirane baterije	Vrsta	Zmogljivost akumulatorja v Ah	Napetost, V	Teža, lb/kg
40-B140	Litij-ionska	4,0	36	2,6/1,2
BLi30	Litij-ionska	7,5	36	4,2/1,9

Odobreni polnilniki za določene baterije, BLi	Vhodna napetost, V	Frekvenca, Hz	Moč, W
40-C80	100-240	50-60	68,8
QC250	220-240	50	250

⁶⁷ Emisije hrupa v okolje, merjene kot moč zvoka (L_{WA}), v skladu z direktivo ES 2000/14/ES.

⁶⁸ Dejavnik negotovosti (K) sporočenih podatkov za raven zvočnega tlaka je 1,5 dB(A).

⁶⁹ Dejavnik negotovosti (K) sporočenih podatkov za raven tresljajev je 1,5 m/s². Navedena skupna vrednost tresljajev je bila izmerjena v skladu s priloženo B standarda EN 62841-4-3 ter se lahko uporablja za primerjavo dveh strojev in za predhodno oceno izpostavljenosti.

Izjava o skladnosti

Izjava EU o skladnosti

Mi, Husqvarna AB, SE - 561 82 Huskvarna, Švedska,
tel.: +46-36-146500, izjavljamo na lastno odgovornost,
da je izdelek:

Opis	Vrtna kosilnica
Znamka	Husqvarna
Vrsta/model	LB 144i
Identifikacija	Serijske številke od letnika 2022 dalje

v celoti skladen z naslednjimi direktivami in uredbami
EU:

Uredba	Opis
2006/42/ES	"o strojih"
2014/30/EU	"o elektromagnetni združljivosti"
2000/14/EC	"o emisijah hrupa v okolico"
2011/65/EU	"o omejevanju uporabe nekaterih nevarnih snovi v električni in elektronski opremi"

in so pri tem v veljavi naslednji standardi in/ali
tehnične specifikacije: EN 62841-1:2015/AC:2015, EN
IEC 62841-4-3:2021/A11:2021, EN ISO 12100:2010,
EN 55014-1:2021, EN 55014-2:2021, EN IEC
61000-6-2:2019, EN IEC 61000-6-3:2021, EN IEC
63000:2018

Priglašeni organ: 0404, RISE SMP Svensk
Maskinprovning AB, Box 4053, SE-904 03 Umeå,
Sweden, je potrdil skladnost z direktivo Sveta
2000/14/ES, postopki ugotavljanja skladnosti: Priloga VI.

Za informacije v zvezi z emisijami hrupa glejte poglavje
Tehnični podatki na strani 377.

Huskvarna, 2022-12-05



Claes Losdal, Vodja oddelka za razvoj vrtno opreme,
Husqvarna AB

Odgovorni za tehnično dokumentacijo



Sadržaj

Uvod	380	Rešavanje problema	390
Bezbednost	381	Transport, skladištenje i odlaganje.....	392
Sklapanje.....	386	Tehnički podaci	392
Rukovanje.....	386	Deklaracija o usklađenosti	395
Održavanje	388		

Uvod

Opis proizvoda

Proizvod je rotirajuća kosačica koju gura korisnik, a koja koristi BioClip za seckanje trave u đubrivo.

Pregled proizvoda

(Sl. 1)

1. Ručka/upravljač
2. Ručica kočnice motora
3. Inhibitor pokretanja
4. Ručke za podizanje
5. Rezna platforma
6. Poluga visine košenja
7. Bezbednosni ključ
8. Poklopac akumulatora
9. Pritiskivač za podešavanje visine za upravljač
10. Dugme SavE
11. Indikator upozorenja (LED greške)
12. Uputstvo za rukovaoca
13. Punjač baterije (oprema)
14. Baterija (oprema)

Simboli na proizvodu

- (Sl. 2) UPOZORENJE
- (Sl. 3) Pročitajte uputstva.
- (Sl. 4) UPOZORENJE – pazite se izbačenih predmeta.
- (Sl. 5) Udaljite druga lica.
- (Sl. 6) UPOZORENJE – udaljite šake i stopala od noževa.
- (Sl. 7) UPOZORENJE – iskopčajte bateriju pre radova na održavanju.
- (Sl. 8) Ovaj proizvod ili pakovanje ne treba tretirati kao kućni otpad. Reciklirajte ga na lokaciji za recikliranje električne i elektronske opreme.

Namena

Koristite proizvod za košenje trave. Nemojte koristiti proizvod za druge zadatke.

- (Sl. 9) Oznaka emisije buke u okruženje u skladu sa direktivama i propisima EU i UK i propisom o zaštiti radova u okruženju (kontrola buke) Novog Južnog Velsa iz 2017. Garantovani nivo zvučne snage za ovaj proizvod naveden je u Tehnički podaci na stranici 392 i na nalepnici.
- (Sl. 10) Ovaj priključak je u saglasnosti sa važećim direktivama EZ.
- (Sl. 11) Proizvod je usaglašen sa važećim direktivama UK.
- (Sl. 12) Proizvod ima zaštitu od kpanja.
- (Sl. 13) Otpustite ručicu kočnice motora za zaustavljanje.
- (Sl. 14) Kôd koji se može skenirati.

Napomena: Ostali simboli/nalepnice koji su navedeni na proizvodu važe za specifične zahteve sertifikata na određenim tržištima.

Odgovornost za proizvod

Kako je izloženo u zakonima o odgovornosti za proizvode, mi nismo odgovorni za oštećenja prouzrokovana našim proizvodom u sledećim slučajevima:

- proizvod je popravljen na pogrešan način
- proizvod je popravljen korišćenjem delova koji nisu napravljeni ili odobreni od strane proizvođača
- proizvod ima opremu koja ne potiče ili nije odobrena od strane proizvođača
- proizvod nije popravljen u ovlašćenom servisnom centru ili od strane ovlašćenog stručnjaka

Bezbednost

Bezbednosne definicije

Upozorenja, mere opreza i napomene se koriste da ukažu na naročito važne delove korisničkog uputstva.



UPOZORENJE: Koristi se ako, usled nepoštovanja uputstava, postoji rizik od nastanka telesnih povreda ili smrti kod rukovaoca ili prisutnih osoba.



OPREZ: Koristi se ako, usled nepoštovanja uputstava, postoji rizik od nastanka oštećenja na proizvodu, drugim materijalima ili susednim oblastima.

Napomena: Koristi se za pružanje više informacija koje su neophodne u datoj situaciji.

Opšta bezbednosna upozorenja za proizvod



UPOZORENJE: Pročitajte sva bezbednosna upozorenja, uputstva, ilustracije i specifikacije koje su obezbeđene uz ovaj proizvod. Nepodržavanje svih uputstava navedenih u nastavku može da dovede do strujnog udara, požara i/ili teških telesnih povreda.

Sačuvajte sva upozorenja i uputstva kao referencu za kasnije. Izraz „proizvod“ iz upozorenja odnosi se na proizvod koji se napaja preko električne mreže (putem kabla) ili akumulatora (bežično).

Bezbednost u radnom području

- **Držite radnu oblast čistom i dobro osvetljenom.** U neurednim ili mračnim oblastima nezgode se češće dešavaju.
- **Ne radite sa proizvodom u eksplozivnim okruženjima, npr. u prisustvu zapaljivih tečnosti, gasova ili prašine.** Proizvod stvara iskre koje mogu da zapale prašinu ili isparenja.
- **Deca i posmatrači treba da se udalje dok koristite proizvod.** Skretanje pažnje može da dovede do toga da izgubite kontrolu.

Električna bezbednost

- **Utikači proizvoda moraju da odgovaraju utičnici.** Nikad nemojte ni na koji način da modifikujete utikač. Nemojte da koristite adaptere pri radu sa uzemljenim proizvodom. Nemodifikovani utikači i odgovarajuće utičnice će smanjiti rizik od strujnog udara.
- **Izbegavajte telesni kontakt sa uzemljenim površinama kao što su cevi, radijatori, šporeti i**

frižideri. Postoji povećani rizik od strujnog udara ukoliko je vaše telo uzemljeno.

- **Nemojte izlagati proizvod kiši ili vlazi.** Ako voda proдре u proizvod, povećaćе se opasnost od strujnog udara.
- **Nemojte nepropisno da postupate sa kablom.** Ne koristite kabl za nošenje, vuču ili isključivanje proizvoda. Držite kabl dalje od izvora toplote, ulja, oštih ivica i pokretnih delova. Oštećeni ili zamršeni kablovi povećavaju rizik od strujnog udara.
- **Kad koristite proizvod na otvorenom, koristite produžni kabl koji je pogodan za upotrebu na otvorenom.** Korišćenje kabla koji je pogodan za upotrebu na otvorenom smanjuje rizik od strujnog udara.
- **Ako ne može da se izbegne korišćenje proizvoda na vlažnom mestu, koristite napajanje preko oštirnih uređaja i pokretnih delova.** Oštećeni ili zamršeni kablovi povećavaju rizik od strujnog udara.
- **Ako ne može da se izbegne korišćenje proizvoda na vlažnom mestu, koristite napajanje preko zaštitnog uređaja diferencijalne struje (RCD).** Upotreba zaštitnog uređaja diferencijalne struje (RCD) smanjuje opasnost od strujnog udara.

Lična bezbednost

- **Budite na oprezu, ne skrećite pogled sa onoga što radite i rukujte proizvodom zdravorazumski.** Nemojte da koristite proizvod ako ste umorni ili pod dejstvom droge, alkohola ili lekova. Trenutak nepažnje prilikom korišćenja proizvoda može da dovede do teških telesnih povreda.
- **Koristite ličnu zaštitnu opremu. Uvek nosite zaštitu za oči.** Zaštitna oprema poput zaštitne maske od prašine, sigurnosnih neklizajućih cipela, kacige ili zaštitе za sluh koja se koristi u odgovarajućim uslovima smanjuje telesne povrede.
- **Sprečite slučajno pokretanje. Uverite se da je prekidač u isključenom položaju pre priključivanja na izvor napajanja i/ili prenosivi punjač akumulatora, podizanja ili nošenja proizvoda.** Nošenje proizvoda sa prstom na prekidaču ili napajanje proizvoda sa prekidačem u položaju za uključenje može da dovede do nezgode.
- **Uklonite ključ za podešavanje ili francuski ključ pre uključivanja proizvoda.** Francuski ključ ili ključ koji ostanu pričvršćeni za obrtni deo proizvoda mogu da dovedu do telesne povrede.
- **Nemojte se preterano naginjati. Uvek budite oslonjeni na obe noge i pazite na ravnotežu.** To će vam omogućiti bolju kontrolu nad proizvodom u nepredviđenim situacijama.
- **Budite propisno odeveni. Nemojte da nosite nakit ili široku odeću.** Vodite računa da vam kosa i odeća ne dođu u dodir sa pokretnim delovima. Pokretni delovi mogu da zakače široku odeću, nakit ili dugu kosu.
- **Ukoliko su obezbeđeni uređaji za povezivanje aparata za izbacivanje ili sakupljanje prašine, proverite da li su povezani i da li se pravilno koriste.**

Korišćenje aparata za prikupljanje prašine može da smanji broj kvarova koji su nastali usled prašine.

- **Nemojte dozvoliti da vam iskustvo koje ste stekli kroz čestu upotrebu proizvoda stvori osećaj samopouzdanja i da se ne pridržavate principa u vezi sa bezbednošću.** Nemarna radnja može da izazove teške povrede u deliču sekunde.

Upotreba i održavanje proizvoda

- **Ne silite proizvod.** Koristite proizvod koji odgovara nameni. Adekvatan proizvod će bolje i sigurnije obaviti posao u meri za koju je napravljen.
- **Ne koristite proizvod ako ga prekidač ne uključuje ili ne isključuje.** Svaki proizvod koji ne može da se kontroliše putem prekidača je opasan i mora da se popravi.
- **Isključite utikač iz izvora električne energije i/ili uklonite akumulator, ako se može odvojiti, sa proizvoda pre nego što pristupite bilo kakvom podešavanju, promeni dodatne opreme ili skladištenju proizvoda.** Takve bezbednosne preventivne mere smanjuju rizik od slučajnog uključivanja proizvoda.
- **Proizvod koji se ne koristi čuvajte dalje od dohvata dece i nemojte da dozvoljavate rad sa alatom osobama koje nisu upoznate sa njim ili ovim uputstvima.** Proizvod je opasan kada njime rukuju neobučeni korisnici.
- **Održavajte proizvode i dodatke.** Proverite da li su pokretni i vezni delovi pravilno postavljeni, da li postoje pukotine na delovima i sva druga stanja koja mogu uticati na rad proizvoda. Ukoliko je oštećen, proizvod odnesite na popravku pre korišćenja. Mnoge nezgode su prouzrokovali loše održavani proizvodi.
- **Održavajte alat za sečenje ostrim i čistim.** Alat za sečenje koji se pravilno održava i ima oštre rezne vrhove se ređe krivi i lakše kontroliše.
- **Proizvod, pribor, delove alata itd. koristite u skladu sa ovim uputstvima uzimajući u obzir radne uslove i posao koji treba da se obavi.** Korišćenje proizvoda za operacije za koje nije namenjen može da dovede do opasnih situacija.
- **Ručke i prihvatne površine bi trebalo da budu suve, čiste i bez ostatka ulja i maziva.** Klizave ručke i prihvatne površine ne omogućavaju bezbedno rukovanje i kontrolu proizvoda u neočekivanim situacijama.

Upotreba i održavanje akumulatorskog alata

- **Punite samo punjačem koji je naznačen od strane proizvođača.** Punjač koji je odgovarajući za jedan tip akumulatora može stvoriti rizik od požara kada se koristi sa drugim akumulatorom.
- **Koristite proizvode samo sa posebno naznačenim akumulatorima.** Korišćenje drugih akumulatora može stvoriti rizik od telesne povrede i požara.
- **Kad se akumulator ne koristi držite ga dalje od metalnih predmeta, kao što su spjalice, novčići, ključevi, ekseri, zavrtnji ili slični mali metalni**

predmeti koji mogu da naprave spoj između polova akumulatora. Kratko spajanje polova akumulatora može da izazove opekotine ili požar.

- **U opasnim uslovima, tečnost može da prsne iz akumulatora; izbegavajte kontakt.** Ako do kontakta slučajno dođe, isperite to mesto vodom. Ako tečnost dođe u kontakt sa očima, dodatno potražite lekarsku pomoć. Tečnost koja prsne iz akumulatora može da prouzrokuje iritaciju ili opekotine.
- **Ne koristite akumulatore i uređaje koji su oštećeni ili modifikovani.** Oštećeni ili modifikovani akumulatori mogu biti nepredvidivi što može dovesti do vatre, eksplozije ili rizika od povrede.
- **Akumulator ili uređaj nemojte da izlažete vatri ili previsokoj temperaturi.** Izlaganje vatri ili temperaturi iznad 130 °C / 265 °F može dovesti do eksplozije.
- **Pridržavajte se svih uputstava za punjenje i nemojte da punit akumulator ili uređaj izvan opsega temperature koji je naveden u uputstvima.** Nepravilno punjenje ili temperature izvan navedenog opsega mogu oštetiti akumulator i povećati rizik od požara.

Usluga

- **Servisiranje proizvoda poverite kvalifikovanom serviseru koji isključivo koristi iste rezervne delove.** Tako ćete biti sigurni u očuvanje bezbednosti proizvoda.
- **Nikad ne servisirajte oštećene akumulatore.** Servisiranje akumulatora treba da vrše samo proizvođač ili ovlašćeni serviseri.

Bezbednosna upozorenja za kosačicu

- **Nemojte koristiti kosačicu po lošim vremenskim uslovima, naročito kada postoji opasnost od grmljavine.** Time se smanjuje rizik od udara groma.
- **Proverite ima li životinja na prostoru u kom će se kosačica koristiti.** Kosačica može da povredi životinje tokom rada.
- **Pažljivo pregledajte oblast u kojoj će se kosačica koristiti i uklonite sve kamenje, grane, žice, kosti i ostale strane predmete.** Izbačeni predmeti mogu da nanesu telesne povrede.
- **Pre korišćenja kosačice, uvek vizuelno proverite noževe i sklop noževa da biste videli jesu li pohabani ili oštećeni.** Pohabani i oštećeni delovi povećavaju rizik od povrede.
- **Često proveravajte da li je sakupljač trave pohaban ili istrošen.** Pohaban ili oštećen hvatač trave povećava rizik od povrede.
- **Vodite računa da štitnici budu postavljeni. Štitnici moraju biti u radnom stanju i propisno postavljeni.** Štitnik koji je labav, oštećen ili ne funkcioniše ispravno može dovesti do povrede.
- **Održavajte sve ulaze vazduha za hlađenje čistim od otpadaka.** Blokirani ulazi, vazduha i otpaci mogu da izazovu prekomerno zagrevanje ili rizik od požara.
- **Dok rukujete kosačicom, uvek nosite neklizajuću i zaštitnu obuću.** Ne rukujte kosačicom bosii ili u

otvorenim sandalama. Time se smanjuje mogućnost povrede stopala usled kontakta sa nožem koji se okreće.

- **Dok rukujete kosačicom, uvek nosite duge nogavice.** Izložena koža povećava verovatnoću povrede izbačenim predmetima.
- **Ne koristite kosačicu u mokroj travi. Hodajte, ne trčite.** Time se smanjuje rizik od klizanja i pada koji može da dovede do povrede.
- **Nemojte rukovati kosačicom na previše strmim nagibima.** Tako ćete smanjiti rizik od gubitka kontrole, klizanja i pada koji može da dovede do povrede.
- **Prilikom rada na nagibima, uvek obezbedite dobar oslonac stopala, uvek radite koso preko nagiba, nikada nagore ili nadole i budite naročito pažljivi kad se okrećete.** Tako ćete smanjiti rizik od gubitka kontrole, klizanja i pada koji može da dovede do povrede.
- **Vodite računa kad se krećete unazad ili vučete kosačicu ka sebi. Uvek vodite računa o okruženju.** Tako se smanjuje rizik od saplitanja tokom rada.
- **Ne dodirujte noževe i ostale opasne pokretne delove sve dok se kreću.** Time se smanjuje rizik od povrede pokretnim delovima.
- **Prilikom uklanjanja zaglavljenog materijala ili čišćenja kosačice, uverite se da su svi prekidači za pokretanje isključeni i da je kabl za napajanje odvojen.** Neočekivan rad kosačice može da dovede do teških telesnih povreda.

Zaštitni uređaj diferencijalne struje

- Koristite zaštitni uređaj diferencijalne struje sa prekidnom strujom ne većom od 30 mA.

Opšta bezbednosna uputstva



UPOZORENJE: Pročitajte upozoravajuća uputstva koja slede pre korišćenja proizvoda.

- Proizvod je opasan ako se koristi na nepravilan način ili ako niste oprezni. Može doći do telesne povrede ili smrti ako se ne pridržavate bezbednosnih uputstava.
- Ovaj proizvod pri radu stvara elektromagnetno polje. Ovo polje u određenim uslovima može da izazove smetnje na aktivnim i pasivnim medicinskim implantatima. U cilju smanjenja rizika od uslova nastanka teških ili smrtnih telesnih povreda, preporučujemo osobama koje imaju medicinske implantate da se pre upotrebe ovog proizvoda konsultuju sa lekarom ili proizvođačem implantata.
- Uvek budite pažljivi i koristite zdrav razum. Ako niste sigurni kako da rukujete proizvodom u određenoj situaciji, prekinite rad i obratite se Husqvarna prodavcu pre nastavka rada.

- Ne zaboravite da će rukovalac biti odgovoran za nezgode u kojima su učestvovala druga lica i njihova svojina.
- Održavajte proizvod čistim. Pobrinite se da jasno možete pročitati znakove i nalepnice.
- Nikada nemojte dozvoliti deci ili osobama koje nisu pročitale ova uputstva da koriste uređaj. Uzrast rukovaoca je možda ograničen lokalnim propisima.
- Uvek nadzirite osobu sa smanjenim fizičkim ili mentalnim sposobnostima koja koristi proizvod. Odgovorna odrasla osoba mora biti prisutna sve vreme.
- Nemojte da koristite proizvod kada ste umorni, bolesni ili pod uticajem alkohola, droge ili lekova. To ima negativan uticaj na vašu moć vida, opreznost, koordinaciju i rasuđivanje.
- Nemojte da koristite proizvod ako je pokvaren.
- Nemojte vršiti izmene na proizvodu i nemojte koristiti proizvod ako postoji mogućnost da su druge osobe vršile izmene na njemu.

Bezbednost na radu



UPOZORENJE: Pročitajte upozoravajuća uputstva koja slede pre korišćenja proizvoda.

- Koristite ovaj proizvod samo za košenje travnjaka. Nije dozvoljeno njegovo korišćenje za druge zadatke.
- Koristite ličnu zaštitnu opremu. Pogledajte Lična zaštitna oprema na stranici 384
- Naučite kako da brzo zaustavite motor u slučaju opasnosti.
- Nemojte raditi sa proizvodom po kiši ili u vlažnim uslovima. Opasnost od strujnog udara se povećava ako voda prodre u proizvod.
- Nemojte raditi sa proizvodom ako sečivo i svi poklopci nisu pravilno postavljeni. Nepravilno postavljeno sečivo se može otkaćiti i prouzrokovati telesnu povredu.
- Pobrinite se da sečivo ne udara o predmete kao što su kamenje ili korenje. To može dovesti do oštećenja sečiva i savijanja osovine motora. Savijena osovina proizvodi velike vibracije i postoji povećana opasnost da se sečivo olabavi.
- Ako sečivo udari o predmet ili ako se pojave vibracije, odmah zaustavite proizvod. Zaustavite motor, okrenite bezbednosni ključ u položaj 0 i uklonite akumulator. Sačekajte da se pokretni delovi zaustave. Pregledajte proizvod u pogledu oštećenja. Pritegnite labave delove. Opravite oštećenja, zamenite oštećene delove. Neka odobreni serviser obavi popravku.
- Nikada nemojte postavljati ručicu kočnice motora trajno na ručku kada je motor pokrenut.
- Postavite proizvod na stabilnu, ravnu površinu i pokrenite ga. Vodite računa da sečivo ne dodiruje tlo ili druge predmete.

- Uvek stojte iza proizvoda kada radite sa njim.
- Vodite računa da svi točkici ostanu na tlu i držite dve ruke na ručki kada rukujete proizvodom. Udaljite šake i stopala od rotirajućih noževa.
- Ne naginjite proizvod pri pokretanju motora i tokom rada.
- Budite pažljivi kada povlačite proizvod unazad.
- Nikada nemojte podizati proizvod kada je motor pokrenut. Ako morate podići proizvod, prvo zaustavite motor, okrenite bezbednosni ključ u položaj 0 i uklonite akumulator.
- Nemojte hodati unazad kada radite sa proizvodom.
- Zaustavite motor ako treba nagnuti ili preneti proizvod ili preko područja bez trave, na primer, stazica napravljenih od šljunka, kamena i asfalta.
- Nemojte trčati sa proizvodom kada je motor pokrenut. Uvek hodajte kada radite sa proizvodom.
- Zaustavite motor pre nego što promenite visinu košenja. Nikada nemojte da vršite podešavanja dok je motor pokrenut.
- Nikada nemojte dozvoliti da proizvod ostane bez nadzora dok je motor pokrenut. Zaustavite motor i uverite se da se oprema za košenje ne okreće.
- Vibracije tokom rada mogu da se razlikuju od vrednosti koju navodi Tehnički podaci na stranici 392. Odstupanje izazivaju razlike u načinu korišćenja proizvoda. Ako proizvod koristite često ili dugo, redovno pauzirajte da biste sprečili nastanak povreda od vibracija.

Bezbednosna uputstva za rad

Lična zaštitna oprema



UPOZORENJE: Pročitajte upozoravajuća uputstva koja slede pre korišćenja proizvoda.

- Lična zaštitna oprema ne može da u potpunosti spreči telesnu povredu, ali ona umanjuje stepen telesne povrede ako dođe do nesrećnog slučaja. Neka vam vaš prodavac pomogne u izboru odgovarajuće opreme.
- Nosite čvrste neklizauće cizme ili cipele. Nemojte nositi obuću sa otvorenim prstima ili ići bosonogi.
- Uvek nosite duge pantalone od čvrstog materijala.
- Nosite zaštitne rukavice po potrebi, na primer, kada pričvršćujete, pregledate ili čistite opremu za košenje.
- Preporučujemo da koristite zaštitu za sluh.

Bezbednosni uređaji na proizvodu



UPOZORENJE: Pročitajte upozoravajuća uputstva koja slede pre korišćenja proizvoda.

- Nemojte koristiti proizvod na kojem su oštećeni bezbednosni uređaji.

- Ne uklanjajte i ne prepravljajte bezbednosne uređaje.
- Redovno proveravajte bezbednosne uređaje. Ako su bezbednosni uređaji neispravni, obratite se svom Husqvarna servisnom agentu.

Provera poklopca mehanizma za košenje

Poklopac mehanizma za košenje smanjuje vibracije u proizvodu, kao i rizik od povrede nožem.

- Pregledajte poklopac košenja kako biste se uverili da nema oštećenja kao što su naprsline.

Provera bezbednosnog ključa

Bezbednosni ključ se nalazi ispod poklopca akumulatora. Bezbednosni ključ povezuje akumulator koji snabdeva motor napajanjem.

- Pokrenite i zaustavite motor da biste izvršili proveru bezbednosnog ključa.
- Ako bezbednosni ključ ispravno radi, motor se može pokrenuti samo kada je ključ u položaju 1. (Sl. 15)

Provera ručice kočnice motora

Ručica kočnice motora zaustavlja motor. Kada je ručica kočnice motora otpuštena, motor se zaustavlja.

- Pokrenite proizvod. Pogledajte Pokretanje proizvoda na stranici 387
- Otpustite ručicu kočnice motora. (Sl. 16)
- Uverite se da se proizvod zaustavlja. Ako se motor ne zaustavi u roku od 3 sekunde, neka ovlašćeni Husqvarna servisni agent izvrši podešavanje kočnice motora.

Provera inhibitora pokretanja

Izvršite proveru inhibitora pokretanja kako biste se uverili da sprečava rad motora.

1. Pritisnite ručicu kočnice motora u smeru upravljača. Inhibitor pokretanja zaustavlja kretanje.
2. Pritisnite inhibitor pokretanja ka spolja. (Sl. 17)
3. Otpustite inhibitor pokretanja i uverite se da se vraća u početni položaj.

Bezbedna upotreba akumulatora



UPOZORENJE: Pročitajte upozoravajuća uputstva koja slede pre korišćenja proizvoda.

- Koristite Husqvarna punjive akumulatore kao izvor napajanja samo za odgovarajuće Husqvarna proizvode. Kako bi se sprečila telesna povreda, nemojte koristiti akumulator kao izvor napajanja za druge uređaje.
- Ne koristite akumulatore za jednokratnu upotrebu.
- Opasnost od strujnog udara. Nemojte povezivati terminale akumulatora na ključeve, kovanice, vijke

ili druge metalne predmete. To može dovesti do kratkog spoja akumulatora.

- Nemojte stavljati predmete u proreze za vazduh akumulatora.
- Držite akumulator tako da ne bude izložen sunčevoj svetlosti, toploti ili otvorenom plamenu. Akumulator može da eksplodira i izazove opekotine i/ili hemijske opekotine.
- Držite akumulator tako da ne bude izložen kiši i vlažnim uslovima.
- Držite akumulator dalje od mikrotalasnih pećnica i visokog pritiska.
- Nemojte pokušavati da rastavite ili lomite akumulator.
- Ako akumulator curi, ne dozvolite da vam ta tečnost dospe na kožu ili u oči. Ako ste dodirнули tečnost, isperite površinu velikom količinom vode i obratite se doktoru.
- Akumulator u proizvodu koristite samo kad je temperatura sredine između 5 °C i 40 °C.
- Punjač akumulatora koristite samo kad je temperatura sredine između 5 °C i 40 °C.
- Akumulator se neće puniti ako mu je temperatura veća od 50 °C.
- Nemojte čistiti akumulator ili punjač akumulatora vodom. Pogledajte Čišćenje akumulatora i punjača akumulatora na stranici 389
- Nemojte koristiti defektan ili oštećen akumulator.
- Držite akumatore uskladištene tako da budu udaljeni od metalnih predmeta kao što su ekseri, kovanice, nakit.

Bezbedna upotreba punjača akumulatora



UPOZORENJE: Pročitajte upozoravajuća uputstva koja slede pre korišćenja proizvoda.

- Koristite QC punjače akumulatora samo za punjenje Husqvarna zamenskih akumulatora.
- Opasnost od strujnog udara ili kratkog spoja. Nemojte stavljati predmete u proreze za vazduh punjača. Nemojte pokušavati da rasklopite punjač akumulatora. Nemojte povezivati terminale punjača na metalne predmete. Koristite odobrenu mrežnu utičnicu.
- Ovaj proizvod pri radu stvara elektromagnetno polje. Ovo polje u određenim uslovima može da izazove smetnje na aktivnim i pasivnim medicinskim implantatima. U cilju smanjenja rizika od uslova od nastanka teških ili smrtnih povreda, preporučujemo osobama koje imaju medicinske implante da se pre upotrebe ovog uređaja konsultuju sa lekarom ili proizvođačem implanta.
- Redovno proveravajte da kabl za napajanje punjača akumulatora nije oštećen i da na njemu ne postoje naprsline.
- Nemojte podizati punjač akumulatora za kabl za napajanje. Da biste iskopčali punjač akumulatora sa

mrežne utičnice, povucite utikač. Ne vucite kabl za napajanje.

- Držite kabl za napajanje i produžni kabl dalje od vode, ulja i oštih ivica. Uverite se da kabl nije priklješten vratima, ogradom ili sličnim stvarima. Time punjač može da dođe pod napon.
- Nemojte čistiti punjač akumulatora vodom.
- Punjač akumulatora mogu koristiti deca uzrasta 8 godina i starija i osobe sa smanjenim fizičkim, senzornim ili mentalnim sposobnostima ili nedostatkom iskustva i znanja ako su pod nadzorom ili su upućeni u pogledu korišćenja punjača akumulatora na bezbedan način i razumeju povezane opasnosti. Deca ne smeju da se igraju sa punjačem akumulatora. Deca ne smeju da čiste i održavaju uređaj bez nadzora.
- Nemojte puniti akumatore koji se ne pune u punjaču akumulatora.
- Nemojte koristiti punjač akumulatora u blizini zapaljivih materijala ili materijala koji mogu da izazovu koroziju. Nemojte pokrivati punjač akumulatora. Izvucite utikač kabla iz punjača akumulatora ako se pojave dim ili vatra.
- Nemojte koristiti defektan ili oštećen punjač akumulatora.
- Akumulator puniti samo u zatvorenom prostoru u prostoriji sa dobrom ventilacijom i podalje od sunčeve svetlosti. Nemojte puniti akumulator u vlažnim uslovima.

Bezbednosna uputstva za održavanje



UPOZORENJE: Pročitajte upozoravajuća uputstva koja slede pre korišćenja proizvoda.

- Kako biste sprečili slučajno pokretanje tokom održavanja, okrenite bezbednosni ključ u položaj 0 i uklonite akumulator. Sačekajte najmanje 5 sekundi pre nego što počnete da vršite održavanje.
- Vršite samo one radove na održavanju proizvoda koji su navedeni u ovom korisničkom uputstvu. Svaki veći zahvat i profesionalne popravke mora da izvrši ovlašćeni serviser. Obratite se najbližem servisnom agentu za više informacija.
- Pravilno vršite rad na održavanju kako biste povećali radni vek proizvoda i smanjili rizik od nesrećnih slučajeva.
- Zamenite oštećene, pohabane ili pokvarene delove. Uvek koristite originalne rezervne delove proizvođača. Ostali rezervni delovi mogu da oštete proizvod i povećavaju rizik od nezgoda.
- Da biste sprečili povrede, ne uklanjajte i ne prepravljajte bezbednosne uređaje.
- Nosite čvrste rukavice kada koristite opremu za košenje. Sečivo je veoma oštro i lako dolazi do posekotine.
- Održavajte rezne ivice ostrim i čistim kako biste dobili najbolje i najbezbednije performanse.

- Neka servisni agent redovno proverava proizvod i vrši potrebna podešavanja i popravke.
- Pridržavajte se uputstava za zamenu opreme. Koristite samo opremu od proizvođača.
- Kada se ne koriste, čuvajte proizvod, akumulator i punjač akumulatora odvojeno na suvom i

zaključanom zatvorenom mestu. Pobrinite se da deca i neovlašćene osobe ne mogu imati pristup proizvodu, akumulatoru ili punjaču akumulatora.

Sklopanje

Uvod



UPOZORENJE: Pre sklopanja proizvoda, pročitajte poglavlje o bezbednosti.



UPOZORENJE: Kako biste sprečili slučajno pokretanje tokom sklopanja, okrenite bezbednosni ključ u položaj 0, uklonite akumulator i sačekajte najmanje 5 sekundi.

1. Pritegnite točkice ručke. (Sl. 18)
2. Povucite ručku unazad dok ne dođe do krajnjeg položaja.
3. Preklopite pritisivač za podešavanje visine i stavite ga u žleb. (Sl. 19)
4. Nogom pritisnite nadole pritisivač za podešavanje visine. (Sl. 20)

Podešavanje visine ručke

1. Nogom pritisnite pritisivač za podešavanje visine.
2. Postavite upravljač u ispravnu poziciju i pustite upravljač. (Sl. 21)

Sklopanje ručke

1. Preklopite gornju ručku unapred.

Rukovanje

Uvod



UPOZORENJE: Pre rada sa proizvodom, morate pročitati i razumeti poglavlje o bezbednosti.



OPREZ: Uverite se da kablovi nisu previše zategnuti. Prevelika zategnutost može da ošteti kabl ako se ručka savije u položaj za transport.



UPOZORENJE: Ne koristite proizvod ako ručka nije potpuno otvorena i postavljena u jedan od datih položaja za visinu. Pogledajte Podešavanje visine ručke na stranici 386.

Husqvarna Connect

Husqvarna Connect je besplatna aplikacija za mobilne uređaje. Aplikacija Husqvarna Connect pruža proširene funkcije za proizvod Husqvarna:

- Dodatne informacije o proizvodu.
- Informacije o delovima proizvoda i servisiranju i pomoći u vezi s njima.

Da biste počeli koristiti Husqvarna Connect

1. Preuzmite aplikaciju Husqvarna Connect na svoj mobilni uređaj.
2. Registrirajte se u aplikaciji Husqvarna Connect.
3. Pratite uputstva u aplikaciji Husqvarna Connect da biste se spojili i registrovali proizvod.

Stavljanje proizvoda u položaj za rad

1. Sklopite ručku. Pogledajte Sklopanje ručke na stranici 386.
2. Podesite visinu ručke. Pogledajte Podešavanje visine ručke na stranici 386.

Podešavanje visine košenja

Visina košenja se može podesiti u šest koraka.

1. Zaustavite motor.
2. Pomerite polugu visine košenja unazad da biste povećali visinu košenja. (Sl. 22)
3. Pomerite polugu visine košenja unapred da biste smanjili visinu košenja.



OPREZ: Nemojte postavljati visinu košenja suviše nisko. Sečiva mogu da udare o tlo ako površina travnjaka nije ujednačena.

Akumulator



UPOZORENJE: Pre korišćenja akumulatora, morate pročitati i razumeti poglavlje o bezbednosti. Takođe morate pročitati i razumeti korisničko uputstvo za akumulator i punjač akumulatora.

Akumulator i punjač akumulatora čuvajte na odgovarajućoj temperaturi.

	Temperatura sredine
Radni opseg akumulatora	5 °C – 40 °C
Punjenje akumulatora	5 °C – 40 °C

Status baterije

Displej prikazuje preostali kapacitet baterije, kao i da li postoje bilo kakvi problemi sa baterijom. Kapacitet baterije se prikazuje pet sekundi kada se proizvod isključi ili se pritisne dugme indikatora baterije. Simbol upozorenja na bateriji se prikazuje kada dođe do greške. Pogledajte Akumulator na stranici 390.

(Sl. 23)

LED svetla	Status baterije
Sve LED lampice svetle	Potpuno napunjeno (75–100%)
LED br. 1, LED br. 2, LED br. 3 svetle	Baterija je napunjena 50–75%
LED br. 1, LED br. 2 svetle	Baterija je napunjena 25–50%
LED br. 1 svetli	Baterija je napunjena 0–25%.
LED br. 1 trepće	Baterija je prazna. Napunite bateriju.

Punjenje akumulatora

Napunite akumulator pre prvog korišćenja. Akumulator je samo 30% napunjen prilikom isporuke kupcu.

Napomena: Punjač akumulatora je potrebno povezati na napon i frekvenciju navedenu na nazivnoj pločici.

Akumulator se ne puni ako je temperatura akumulatora iznad 50 °C. Punjač akumulatora smanjuje temperaturu akumulatora pre početka punjenja.

1. Povežite jedan kraj kabla za napajanje za punjač akumulatora u utičnicu punjača akumulatora.

2. Povežite drugi kraj kabla za napajanje za punjač akumulatora u uzemljenu mrežnu utičnicu. LED lampica na punjaču akumulatora trepće zeleno jedanput. (Sl. 24)
3. Stavite akumulator u punjač akumulatora. Zelena lampica na punjaču svetli kada je akumulator ispravno povezan na punjač akumulatora. (Sl. 25)
4. Akumulator je potpuno napunjen kada na njemu svetle sve LED lampice. Punite akumulator najviše 24 sata.
5. Da biste iskopčali punjač akumulatora iz mrežne utičnice, povucite utikač, a ne kabl za napajanje.
6. Izvadite akumulator iz punjača akumulatora.

Status punjenja baterije

Husqvarna litijum-jonska baterija može se puniti ili koristiti na bilo kom nivou punjenja. Baterija nije oštećena. Potpuno napunjena baterija neće izgubiti punjenje čak ni kada je ostavljena na punjaču.

LED displej	Status punjenja
LED br. 1 trepće	0–25%
LED br. 1 svetli, LED br. 2 trepće	25–50%
LED br. 1, LED br. 2 svetle, LED br. 3 trepće	50–75%
LED br. 1, LED br. 2, LED br. 3 svetle, LED br. 4 trepće	75–100%
LED br. 1, LED br. 2, LED br. 3, LED br. 4 svetle	Potpuno napunjeno

Pokretanje proizvoda

1. Otvorite poklopac baterije.
2. Stavite napunjenu bateriju u nosač baterije.
3. Okrenite bezbednosni ključ u položaj 1. (Sl. 26)
4. Stanite iza proizvoda.
5. Olabavite inhibitor pokretanja. (Sl. 17)
6. Pritisnite ručicu kočnice motora u smeru upravljača. (Sl. 27)

Korišćenje funkcije SaveE™

Proizvod ima funkciju uštede akumulatora (SaveE™) koja pruža duže vreme rada.

- Pritisnite dugme SaveE™ u položaj 1 da biste pokrenuli funkciju. (Sl. 28)
- Pritisnite dugme SaveE™ u položaj 0 da biste zaustavili funkciju.

Napomena: Funkcija SaveE™ se automatski zaustavlja ako uslovi tla zahtevaju veću izlaznu snagu.

Funkcija SaveE™ se automatski ponovo pokreće kada uslovi tla to dozvoljavaju.

Funkcija velikog opterećenja

Kada se proizvodom kosi visoka ili vlažna trava, motor automatski povećava broj obrtaja. Motor se vraća u standardni režim kada veliko opterećenje nije potrebno.

Zaustavljanje motora

Tokom rada, nož i motor mogu da se privremeno zaustave zbog prepreka kao što su zapušanje travom ispod poklopca košenja. Ako dođe do toga, i držite pritisnutu ručicu kočnice motora, proizvod će probati da se automatski ponovo pokrene. Ako se proizvod ne pokrene ponovo za 5–10 sekundi, treba očistiti prostor ispod poklopca košenja. Pogledajte Čišćenje proizvoda na stranici 389.



UPOZORENJE: Ako se motor zaustavi, proizvod će probati da se automatski ponovo pokrene za 5–10 sekundi. Sačekajte najmanje 15 sekundi pre nego što proverite poklopac košenja.



UPOZORENJE: Pre provere poklopca košenja pustite ručicu kočnice motora, okrenite bezbednosni ključ u položaj 0, uklonite akumulator i sačekajte najmanje 5 sekundi. Rizik od povrede ako se prepreka ukloni i proizvod slučajno proradi.

Zaustavljanje proizvoda



UPOZORENJE: Okrenite bezbednosni ključ u položaj 0 pre nego što ostavite proizvod bez nadzora.

Uvod



UPOZORENJE: Pre održavanja, morate pročitati i razumeti poglavlje o bezbednosti.

Za sva servisiranja i popravke proizvoda, potrebna je specijalna obuka. Garantujemo dostupnost stručnih popravki i servisiranja. Ako vaš prodavac nije servisni agent, obratite mu se za informacije o najbližem servisnom agentu.

1. Otpustite ručicu kočnice motora da biste zaustavili motor. (Sl. 29)
2. Otvorite poklopac akumulatora i okrenite bezbednosni ključ u položaj 0. (Sl. 30)
3. Da biste uklonili akumulator, pritisnite 2 dugmeta za otpuštanje i izvucite akumulator. (Sl. 31)
4. Napunite akumulator ako je prazan. Za više informacija pogledajte Punjenje akumulatora na stranici 387.

Za dobre rezultate

- Uvek koristite oštro sečivo. Tupo sečivo daje neujednačeni rezultat i pokošena površina trave postaje žuta. Oštro sečivo takođe koristi manje energije nego tupo sečivo.
- Nemojte kositi više od ¼ dužine trave. Prvo kosite sa visokom visinom košenja. Pregledajte rezultat i spustite visinu košenja na prihvatljiviji nivo. Ako je trava zaista visoka, vozite polako i kosite dvaput ako bude potrebno.
- Kosite u različitim smerovima svaki put da biste izbegli pruge na travnjaku.
- Poklopac košenja mora da bude čist. Naslage trave i prljavštine s unutarne strane poklopca košenja mogu da umanje rezultate košenja. Pogledajte Čišćenje proizvoda na stranici 389

Održavanje

Za detaljnije informacije pogledajte www.husqvarna.com.

Šema održavanja

Intervali održavanja su izračunati na osnovu svakodnevnog korišćenja proizvoda. Intervali se menjaju ako se proizvod ne koristi svakodnevno.

Za održavanja obeležena znakom *, pogledajte uputstva u Bezbednost na stranici 381.

	Svaka upotreba	Mesečno	Svaka sezona
Izvršite generalni pregled.	X		

	Svaka upotreba	Mesečno	Svaka sezona
Očistite proizvod.	X		
Očistite područje oko pritiskivača za podešavanje visine.	X		
Proverite inhibitor pokretanja. *	X		
Uverite se da bezbednosni uređaji na proizvodu nisu neispravni. *	X		
Pregledajte opremu za košenje.	X		
Pregledajte poklopac košenja. *	X		
Proverite ručicu kočnice motora. *	X		
Pregledajte bateriju u pogledu oštećenja.	X		
Proverite punjenje akumulatora.	X		
Uverite se da dugmad za otpuštanje na bateriji ispravno radi i da baterija pravilno stoji u proizvodu.	X		
Pregledajte punjač baterije u pogledu oštećenja i uverite se da ispravno radi.		X	
Pregledajte konektore između baterije i proizvoda. Takođe pregledajte konektore između baterije i punjača baterije.			X

Vršenje opšteg pregleda

- Uverite se da su navrtke i zavrtnji na proizvodu zategnuti.
- Uverite se da kablovi na proizvodu nisu u položaju u kojem se mogu oštetiti.

Čišćenje proizvoda

- Očistite plastične delove čistom i suvom krpom.
- Nemojte čistiti proizvod vodom. Voda može da prođe u akumulator ili motor i izazove kratak spoj ili oštećenje proizvoda.
- Nemojte da koristite čistač pod visokim pritiskom za čišćenje proizvoda.
- Nemojte direktno ispirati motor vodom.
- Uklonite lišće, travu i prljavštinu pomoću četke.

Čišćenje akumulatora i punjača akumulatora



UPOZORENJE: Nemojte čistiti akumulator ili punjač akumulatora vodom.



UPOZORENJE: Nemojte da koristite hemijske supstance za čišćenje akumulatora.

- Uverite se da su akumulator i punjač akumulatora čisti i suvi pre stavljanja akumulatora na punjač akumulatora.

- Očistite terminale akumulatora komprimovanim vazduhom ili pomoću meke i suve krpe.
- Očistite površine akumulatora i punjača akumulatora pomoću meke i suve krpe.

Čišćenje područja oko pritiskivača za podešavanje visine

- Uklonite lišće, travu i prljavštinu pomoću četke. (Sl. 32)

Pregled opreme za rezanje



UPOZORENJE: Kako biste sprečili slučajno pokretanje, okrenite bezbednosni ključ u položaj 0, uklonite akumulator i sačekajte najmanje 5 sekundi.



UPOZORENJE: Nosite zaštitne rukavice kada vršite održavanje na opremi za košenje. Sečivo je veoma oštro i lako dolazi do posekotine.

1. Pregledajte opremu za košenje u pogledu oštećenja ili naprsina. Uvek zamenite oštećenu opremu za košenje.
2. Pregledajte sečivo da biste videli je li oštećeno ili tupo.

Napomena: Nakon oštrenja sečiva potrebno ga je balansirati. Neka servisni centar naoštri, zameni i balansira sečivo. Ako udarite o prepreku nakon čega se proizvod zaustavi, zamenite oštećeno sečivo. Neka

servisni centar odredi da li sečivo može da se naoštri ili mora da se zameni.

Zamena noža

Pogledajte Tehnički podaci na stranici 392 za potreban tip noža.



UPOZORENJE: Blokirajte nož komadom drveta da biste sprečili povrede prstiju tokom zamene noža. Nož može da se pomeri kad je motor isključen i prsti mogu da se uhvate između noža i nepomičnih delova.

1. Blokirajte nož pomoću komada drveta. (Sl. 33)
2. Uklonite vijak noža, opružnu podlošku i nož. (Sl. 34)
3. Pregledajte nosač noža i vijak noža kako biste videli postoje li oštećenja.
4. Pregledajte osovinu motora kako biste se uverili da nije savijena.

5. Kada postavite nov nož, usmerite savijene krajeve noža u smeru poklopca košenja. (Sl. 35)
6. Pobrinite se da je nož poravnat sa sredinom osovine motora.
7. Blokirajte nož pomoću komada drveta. Postavite opružnu podlošku i zategnite vijak i podlošku na moment pritezanja od 23–28 Nm. (Sl. 36) (Sl. 34)
8. Povucite nož rukom da biste proverili da li se slobodno okreće.



UPOZORENJE: Nosite čvrste rukavice. Nož je veoma oštar i lako dolazi do posekotine.

9. Pokrenite proizvod kako biste testirali nož. Ako nož nije ispravno postavljen, pojavice se vibriranje proizvoda ili rezultat košenja neće biti zadovoljavajući.

Rešavanje problema

Akumulator

LED lampice na akumulatoru	Uzrok	Rešenje
Zelena LED lampica trepće.	Napon akumulatora je nizak.	Napunite akumulator. Pogledajte Punjenje akumulatora na stranici 387
LED lampica greške trepće.	Akumulator je slab.	Napunite akumulator. Pogledajte Punjenje akumulatora na stranici 387
	Temperatura u radnom okruženju je previsoka ili preniska.	Koristite akumulator na temperaturama između 5 °C i 40 °C.
	Prenapon.	Napon mreže mora da odgovara onom koji je naveden na nazivnoj pločici proizvoda. Izvadite akumulator iz punjača akumulatora. Sačekajte 5 sekundi i ponovo pokušajte punjenje akumulatora. Ako se problem ne otkloni, obratite se ovlašćenom servisu.
LED lampica greške je uključena.	Razlika između ćelija je prevelika (1 V).	Obratite se ovlašćenom servisnom agentu.

Punjač akumulatora

LED lampice na punjaču akumulatora	Uzrok	Rešenje
LED lampica greške trepće.	Temperatura u radnom okruženju je previsoka ili preniska.	Koristite punjač akumulatora na temperaturama između 5 °C i 40 °C.
LED lampica greške je uključena.		Obratite se ovlašćenom servisnom agentu.

Kosačica za travu

Indikator upozorenja (LED greške) nalazi se ispod poklopca baterije.

Problem	LED greške (broj treptaja)	Uzrok	Rešenje
LED greške treperi. Proizvod ne radi kako bi trebalo.	5.	Nož je blokiran.	Okrenite bezbednosni ključ u položaj 0 da biste sprečili slučajno pokretanje. Uklonite bateriju i sačekajte najmanje 5 sekundi. Uklonite moguće prepreke i uverite se da se nož slobodno okreće. Ako se problem ne otkloni, obratite se ovlašćenom servisnom agentu.
		Brzina motora prekomerno opada i motor se zaustavlja.	Povećajte visinu košenja. Pogledajte Podešavanje visine košenja na stranici 386.
	10.	Kontrola motora je prevruća.	Zaustavite motor i sačekajte da se ohladi.
LED greške treperi. Proizvod se zaustavlja.	0	Kvar konektora baterije.	Pregledajte konektor baterije.
	3.	Motor je preopterećen.	Povećajte visinu košenja. Pogledajte Podešavanje visine košenja na stranici 386.
	8.	Baterija je slaba.	Napunite bateriju. Pogledajte Punjenje akumulatora na stranici 387.
	9.	Greška baterije ili nema signala sa baterije.	Pravilno postavite bateriju u proizvod i pregledajte konektor baterije. Ako LED greške na bateriji trepće. Pogledajte Status baterije na stranici 387.
	12	Procedura paljenja nije pravilno obavljena. Ručica kočnice motora je aktivirana pre pokretanja motora.	Otpustite ručicu kočnice motora i sačekajte oko 5 sekundi. Ponovo gurnite ručicu kočnice motora nadole da biste pokrenuli proizvod.
Druge greške.	Ako se pojave druge greške, okrenite bezbednosni ključ u položaj 0, uklonite akumulator i obratite se ovlašćenom servisnom agentu.		

Transport, skladištenje i odlaganje

Uvod



UPOZORENJE: Kako biste sprečili slučajno pokretanje tokom transporta i skladištenja, okrenite bezbednosni ključ u položaj 0, uklonite akumulator i sačekajte najmanje 5 sekundi.

Stavljanje proizvoda u položaj za transport

1. Nogom gurnite pritiskivač za podešavanje visine. (Sl. 37)
2. Ručku povucite nagore i izvucite pritiskivač za podešavanje visine iz žleba.
3. Preklopite ručku napred dok ne dođe do krajnjeg položaja. (Sl. 38)
4. Preklopite pritiskivač za podešavanje visine prema poklopcu košenja. (Sl. 39)
5. Pustite točkiće ručice. (Sl. 40)
6. Preklopite gornju ručicu unazad. (Sl. 41)

Transport

- Zahtevi u pogledu transporta opasnih materija primenjuju se na sadržane litijum-jonske akumulatorne.
- Za komercijalni transport moraju se poštovati posebni zahtevi koji su navedeni na pakovanju i nalepnicama.
- Pobrinite se da se pridržavate propisa za transport opasnih materija prilikom pripreme proizvoda za transport. Lokalni propisi se mogu primenjivati.
- Uvek uklonite akumulator pre transporta.
- Stavite traku na konektore akumulatora i uverite se da se akumulator ne može pomerati tokom transporta.
- Fiksirajte proizvod tokom transporta.

Skladištenje

- Pre skladištenja treba sačekati da se proizvod ohladi.
- Uvek uklonite akumulator pre skladištenja.
- Kako bi se sprečili nesrećni slučajevi, uverite se da akumulator nije povezan na proizvod tokom skladištenja.

- Držite punjač akumulatora u zatvorenom i suvom prostoru.
- Držite akumulator i punjač akumulatora u suvom prostoru gde nema vlage ili mraza.
- Iskopčajte akumulator sa punjača akumulatora tokom skladištenja.
- Ne čuvajte akumulator na mestima gde može doći do statičkog pražnjenja. Ne čuvajte akumulator u metalnoj kutiji.
- Čuvajte proizvod na mestu gde je temperatura između -10 °C i 40 °C.
- Čuvajte akumulator na mestu gde je temperatura između 5 °C i 25 °C i van direktne sunčeve svetlosti.
- Čuvajte punjač akumulatora na mestu gde je temperatura između 5 °C i 45 °C i van direktne sunčeve svetlosti.
- Pobrinite se da je akumulator napunjen na 30% - 50% pre skladištenja na duži vremenski period.
- Čuvajte proizvod, akumulator i punjač akumulatora na zaključanom mestu izvan domašaja dece i neovlašćenih osoba.
- Očistite proizvod i uverite se da je hvatač trave prazan.
- Obavljajte poslove održavanja opisane u ovom korisničkom uputstvu. Pogledajte Šema održavanja na stranici 388
- Obavite kompletan servis pre nego što uskladištite proizvod na duži vremenski period.

Odlaganje

Simboli na proizvodu ili njegovom pakovanju ukazuju na to da se ovim proizvodom ne može rukovati kao otpadom iz domaćinstva. On se mora odneti u odgovarajući reciklažni pogon za obnavljanje električne i elektronske opreme.

Starajući se da se na odgovarajući način pobrinete za ovaj proizvod, možete da pomognete da se ublaži mogući negativni uticaj na životnu sredinu i ljude, do kojeg bi u suprotnom došlo u slučaju nepravilnog odlaganja ovog proizvoda na otpad. Za detaljnije informacije o recikliranju ovog proizvoda, obratite se vašoj opštini, „Gradskoj čistoći“ ili osoblju u prodavnici u kojoj ste proizvod kupili.

(Sl. 42)

Tehnički podaci

	LB 144i
Motor košenja	

	LB 144i
Tip motora	BLDC (bez četkica) 36 V
Brzina motora – SavE, o/min	2600/min
Brzina motora – nominalna, o/min	3200/min
Brzina motora – veliko opterećenje, o/min	3500/min
Izlazna snaga motora – maks. kW	0,9
Izlazna snaga motora – nominalna, kW	0,75
Pogonski motor	
Izlazna snaga motora – nominalna, kW	N/A
Brzina samostalnog hoda, km/h	N/A
Nivoi podešavanja brzine	N/A
Težina	
Težina (bez baterije), kg	15,5
Težina (uklj. 1 x Bli30), kg	17,5
Baterija	
Vrsta baterije	Husqvarna serija baterije
Vreme rada baterije	
Vreme rada baterije, min, (slobodan rad) sa aktiviranom funkcijom SavE, sa jednom Husqvarna 7,5 Ah baterijom (Bli30).	170
Vreme rada baterije, min, (slobodan rad) sa aktiviranim standardnim režimom, sa jednom Husqvarna 7,5 Ah baterijom (Bli30).	135
Emisija buke ⁷⁰	
Nivo zvučne snage, mereno dB (A)	90
Nivo zvučne snage, garantovano L _{WA} dB (A)	92
Nivoi zvuka ⁷¹	
Nivo zvučnog pritiska na uho rukovaoca, dB (A)	77
Nivoi vibracije ⁷²	
Ručka, m/s ²	0,7
Oprema za košenje	
Visina košenja, mm	25–75
Širina košenja, cm	44
Standard noža	Usitnjavanje 5298073-10

⁷⁰ Emisije buke u životnoj sredini merene kao zvučna snaga (L_{WA}) u skladu sa direktivom 2000/14/EZ.

⁷¹ Prijavljeni podaci o nivou pritiska buke imaju nepouzdanost (K) od 1,5 dB(A).

⁷² Prijavljeni podaci o nivou vibracije imaju nepouzdanost (K) od 1,5 m/s². Deklarisana ukupna jačina vibracija izmerena je u skladu sa standardom EN 62841-4-3, Aneks I, i može da se koristi za poređenje mašina i za preliminarnu ocenu izloženosti.

	LB 144i
Oprema za nož	N/A

Odobrena baterija	Tip	Kapacitet baterije, Ah	Napon, V	Težina, lb/kg
40-B140	Litijum-jonska	4,0	36.	2,6/1,2
BLi30	Litijum-jonska	7,5	36.	4,2/1,9

Odobreni punjači za navedene baterije, BLi	Ulazni napon, V	Frekvencija, Hz	Snaga, W
40-C80	100–240	50–60	68,8
QC250	220–240	50.	250

Deklaracija o usklađenosti

EU deklaracija o usaglašenosti

Mi, Husqvarna AB, SE-561 82 Huskvarna, Švedska, tel:
+46-36-146500, izjavljujemo pod punom odgovornošću
da je proizvod:

Opis	Kosačica za travu
Marka	Husqvarna
Tip/model	LB 144i
Identifikacija	Serijski brojevi od 2022 i nadalje

su u potpunosti usaglašeni sa sledećim EU direktivama i
propisima:

Propis	Opis
2006/42/EZ	„koji se odnose na mašine“
2014/30/EU	„koji se odnose na elektromagnetsku kompatibilnost“
2000/14/EZ	„koji se odnose na emisiju buke u okruženju“
2011/65/EU	„koji se odnose na ograničenje upotrebe određenih opasnih supstanci u električnoj i elek- tronskoj opremi“

i da su sledeći standardi i/ili tehničke specifikacije
primenjeni: EN 62841-1:2015/AC:2015, EN IEC
62841-4-3:2021/A11:2021, EN ISO 12100:2010,
EN 55014-1:2021, EN 55014-2:2021, EN IEC
61000-6-2:2019, EN IEC 61000-6-3:2021, EN IEC
63000:2018

Ovlašćeno telo: 0404, RISE SMP Svensk
Maskinprovning AB, Box 4053, SE-904 03 Umeå,
Sweden je sertifikovalo usaglašenost sa direktivom veća
2000/14/EC, postupak za procenu usklađenosti: Aneks
VI.

Za informacije o emisiji buke pogledajte Tehnički podaci
na stranici 392.

Huskvarna, 2022-12-05



Claes Losdal, menadžer razvoja / baštenski proizvodi,
Husqvarna AB

Odgovoran za tehničku dokumentaciju



Innehåll

Introduktion	396	Felsökning	406
Säkerhet	397	Transport, förvaring och kassering.....	407
Montering.....	402	Tekniska data.....	408
Drift	402	Försäkrän om överensstämelse	410
Underhåll	404		

Introduktion

Produktbeskrivning

Produkten är en rotogräsklippare som styrs av en gående person och som använder BioClip för att finfördela gräset till gödning.

Produktöversikt

(Fig. 1)

1. Handtag/styre
2. Motorbromsbygel
3. Startspärr
4. Lyfthandtag
5. Klippaggregat
6. Kliphöjds-spak
7. Säkerhetsnyckel
8. Batterilock
9. Höjjusteringsbygel för styret
10. Knappen SavE
11. Varningsindikator (lysdiod för fel)
12. Bruksanvisning
13. Batteriladdare (tillbehör)
14. Batteri (tillbehör)

Symboler på produkten

(Fig. 2) varning

(Fig. 3) Läs instruktionerna.

(Fig. 4) VARNING – Se upp för föremål som slungas iväg.

(Fig. 5) Håll kringstående på avstånd.

(Fig. 6) VARNING – Håll händer och fötter borta från knivarna.

(Fig. 7) VARNING – Koppla bort batteriet före underhåll.

(Fig. 8) Produkten eller dess förpackning är inte hushållsavfall. Återvinn den vid en återvinningsstation för elektrisk och elektronisk utrustning.

Avsedd användning

Använd produkten för att klippa gräs. Använd inte produkten till andra uppgifter.

(Fig. 9) Miljömärkning för bulleremission enligt direktiv och bestämmelser för EU och Storbritannien samt New South Wales-lagen "Protection of the Environment Operations (Noise Control) Regulation 2017". Produktens garanterade ljudeffektnivå anges i Tekniska data på sida 408 och på etiketten.

(Fig. 10) Utrustningen överensstämmer med gällande EG-direktiv.

(Fig. 11) Produkten överensstämmer med gällande brittiska direktiv.

(Fig. 12) Produkten har droppskydd.

(Fig. 13) Stoppa genom att släppa motorbromsbygeln.

(Fig. 14) Kod som kan skannas.

Notera: Övriga symboler/etiketter på produkten avser specifika krav för certifieringar på vissa marknader.

Produktansvar

Enligt lagstiftningen för produktansvar ansvarar vi inte för skador som vår produkt orsakar om:

- produkten repareras felaktigt
- produkten repareras med delar som inte kommer från tillverkaren eller inte har godkänts av tillverkaren
- produkten har ett tillbehör som inte kommer från tillverkaren eller inte har godkänts av tillverkaren
- produkten inte repareras vid ett godkänt servicecenter eller av en godkänd person.

Säkerhet

Säkerhetsdefinitioner

Varningar, försiktighetsåtgärder och anmärkningar används för att betona speciellt viktiga delar i bruksanvisningen.



VARNING: Används om det finns risk för skador eller dödsfall för användaren eller kringstående om anvisningarna i bruksanvisningen inte följs.



OBSERVERA: Används om det finns risk för skada på produkten, annat material eller det angränsande området om anvisningarna i bruksanvisningen inte följs.

Notera: Används för att ge mer information som är nödvändig i en viss situation.

Allmänna säkerhetsvarningar



VARNING: Gå igenom alla säkerhetsvarningar, instruktioner, illustrationer och specifikationer som medföljer produkten. Om du inte följer instruktionerna nedan kan det leda till elektriska stötar, brand och/eller allvarliga skador.

Spara alla varningar och instruktioner som referens. I varningarna syftar begreppet "produkten" på en produkt som antingen är ansluten till en strömkälla (med sladd) eller drivs av batteri (sladdlöst).

Säkerhet i arbetsområdet

- Arbetsområdet ska hållas välordnat och välbelyst. I röliga eller mörka arbetsområden händer det lätt olyckor.
- Använd inte produkten i explosiva miljöer, t.ex. i närvaro av brandfarliga vätskor, gaser eller damm. Gnistor från produkten kan antända damm eller ångor.
- Håll barn och åskådare på avstånd när du använder produkten. Om du blir distraherad kan du tappa kontrollen.

Elsäkerhet

- Produktens stickpropp måste passa i eluttaget. Förändra aldrig stickkontakten på något sätt. Använd inga adapterkontakter med jordade produkter. Oförändrade stickkontakter och motsvarande vägguttag minskar riskerna för elektriska stötar.

- Undvik kroppskontakt med jordade ytor, t.ex. rör, kylare, spisar och kylskåp. Risken för elektriska stötar ökar om kroppen är jordad.
- Utsätt inte produkter för regn eller väta. Om vatten tränger in i produkten ökar risken för elstötar.
- Använd inte sladden på fel sätt. Använd inte sladden för att bära eller dra produkten eller för att koppla ur produkten från eluttaget. Håll sladden borta från värme, olja, vassa kanter och rörliga delar. Skadade eller trasliga sladdar ökar risken för elektriska stötar.
- När du använder en produkt utomhus ska du även använda en förlängningsladd för utomhusbruk. Om du använder en sladd för utomhusbruk minskar risken för elektriska stötar.
- Om det är oundvikligt att köra en produkt i en fuktig miljö ska du använda en jordfelsbrytare. Med jordfelsbrytare minskar risken för elektriska stötar.

Personsäkerhet

- Var på din vakt, var uppmärksam på vad du gör och använd sunt förnuft när du använder produkten. Använd inte produkten om du är trött, om du har druckit alkohol eller om du har tagit andra droger eller mediciner. Ett ögonblick av ouppmärksamhet när du använder produkter kan leda till allvarlig personskada.
- Använd personlig skyddsutrustning. Använd alltid ögonskydd. Lämplig skyddsutrustning som ansiktsmask, halkfria skyddsskor, hjälm eller hörselskydd minskar risken för personskadorna.
- Förebygg att elverktuget startar oavsiktligt. Se till att strömbrytaren är fränslagen innan du ansluter elverktuget till en strömkälla och/eller ett batteri och innan du tar upp eller bär produkten. Risken för olyckor är stor om du bär produkter med fingret på strömbrytaren eller tillför ström till produkter med strömbrytaren påslagen.
- Ta bort eventuella justeringsnycklar eller skiftnycklar innan du slår på produkten. Skiftnycklar som lämnas kvar i produktens rörliga delar kan orsaka personskada.
- Sträck dig inte för långt. Ha alltid ett stadigt fotfäste och god balans. Det ger dig större kontroll över produkten i oväntade situationer.
- Klä dig rätt. Använd inte löst sittande kläder eller smycken. Håll hår och kläder borta från rörliga delar. Lösa kläder, smycken eller långt hår kan fastna i rörliga delar.
- Om det finns anordningar för anslutning av enheter för uppsamling av damm, se då till att dessa är ordentligt anslutna och att de används på rätt sätt. Dammuppsamling kan minska dammrelaterad fara.
- Tillåt inte dig själv att bli för avslappnad, även om du har erfarenhet av regelbunden användning av produkter, så att du börjar strunta i

produktsäkerheten. En slarvig handling kan orsaka allvarlig skada på mindre än en sekund.

Produktens användning och skötsel

- Använd inte onödig kraft med produkten. Använd den produkt som är rätt för aktuellt syfte. Med rätt produkt utför du ett bättre och säkrare jobb med den hastighet som produkten är utformad för.
- Använd inte produkten om du inte kan starta och stänga av den med strömbrytaren. Produkter som inte kan regleras med strömbrytaren är farliga och måste repareras.
- Koppla bort kontakten från strömkällan och/eller ta ut batteriet (om det kan tas bort) innan du gör några justeringar, byter tillbehör eller förvarar produkter. Sådana förebyggande säkerhetsåtgärder minskar risken för att produkten startas oavsiktligt.
- Förvara produkter utom räckhåll för barn när de inte används. Se till att personer som inte tidigare har hanterat produkter eller som inte har läst instruktionerna inte använder dem. Produkter är farliga om de används av ovana användare.
- Underhåll produkter och tillbehör. Kontrollera att rörliga delar ligger i linje och inte kärvar. Kontrollera även om det finns skadade delar eller om det föreligger andra förhållanden som kan påverka produktfunktionen. Om produkten är skadad ska den repareras innan den används igen. Många olyckor sker på grund av att rätt underhåll inte har utförts på produkten.
- Håll kapverktyg skarpa och rena. Väl underhållna klippande verktyg med vassa eggar kärvar mer sällan och är lättare att kontrollera.
- Använd produkten och tillbehör enligt de här instruktionerna. Tänk på att ta hänsyn till arbetsförhållandena och det arbete som ska utföras. Användning av produkten i andra syften än de avsedda kan resultera i en farlig situation.
- Håll handtagen och greppytorna torra, rena och fria från olja och fett. Hala handtag och greppytor innebär att det inte är säkert att hantera och styra produkten i oväntade situationer.

Använda och underhålla batteridrivna verktyg

- Ladda endast upp med den laddare som anges av tillverkaren. En laddare som är lämplig för en typ av batteripack kan utgöra en brandrisk när den används med ett annat batteripack.
- Använd endast produkter med särskilt avsedda batteripack. Användning av andra batteripack kan innebära risk för skada och brand.
- När batteripacket inte används ska du hålla det borta från andra metallföremål, som gem, mynt, nycklar, spikar, skruvar och andra små metallföremål, som kan skapa en anslutning mellan kontakterna. Kortslutning av batteriets kontakter kan orsaka brännskador eller brand.
- Vid felaktig användning kan vätska spruta ut från batteriet. Undvik kontakt. Om kontakt inträffar av misstag ska du skölja med vatten. Om du får vätska

i ögonen ska du uppsöka läkare. Vätska som sprutar ut från batteriet kan orsaka irritation eller sveda.

- Använd inte ett batteripack eller ett verktyg som är trasigt eller modifierat. Skadade eller modifierade batterier kan fungera på ett oväntat sätt vilket kan leda till brand, explosion eller risk för skada.
- Utsätt inte ett batteripack eller ett verktyg för brand eller extrema temperaturer. Om det utsätts för brand eller temperaturer över 130 °C kan en explosion inträffa.
- Följ alla anvisningar för laddning och ladda inte batteripacket eller verktyget utanför det temperaturintervall som anges i instruktionerna. Felaktig laddning eller temperaturer utanför det specificerade området kan skada batteriet och öka risken för brand.

Tjänst

- Låt en kvalificerad reparatör, som endast använder identiska reservdelar, underhålla produkten. På så sätt garanterar du att säkerheten för produkten upprätthålls.
- Utför aldrig underhåll på skadade batteripack. Underhåll på batteripack bör endast utföras av tillverkaren eller auktoriserade tjänsteleverantörer.

Säkerhetsvarningar för gräsklippare

- Använd inte gräsklipparen i dåligt väder, i synnerhet inte vid risk för blixtnedslag. Det minskar risken att träffas av blixten.
- Kontrollera om det finns vilda djur i området där gräsklipparen ska användas. Vilda djur kan skadas av gräsklipparen under drift.
- Kontrollera noga området där gräsklipparen ska användas och ta bort alla stenar, grejor, kablar, ben och andra främmande föremål. Utslungade föremål kan orsaka personskador.
- Innan du använder gräsklipparen är det viktigt att kontrollera att kniven och knivmonteringen inte är slitna eller skadade. Slitna eller skadade delar ökar skaderisken.
- Kontrollera gräsupsamlaren ofta med avseende på slitage eller fel. En sliten eller skadad gräsupsamlare kan öka risken för personskador.
- Se till att skydden sitter på plats. Skydden måste vara i funktionsdugligt skick och vara korrekt monterade. Skydd som är lösa, skadade eller inte fungerar som de ska kan leda till personskador.
- Håll alla kallluftsting borta från skräp. Blockerade lufttintag och skräp kan leda till överhettning eller brandrisk.
- Använd alltid halksäkra skyddsskor när du använder gräsklipparen. Använd aldrig gräsklipparen barfota eller med öppna sandaler. Detta minskar risken för skador på fötterna av den rörliga kniven.
- Ha alltid på dig långbyxor när du använder gräsklipparen. Exponerad hud ökar risken för skador från utkastade föremål.

- Använd inte gräsklipparen i vått gräs. Gå – spring aldrig. Detta minskar risken för att halka och falla, som kan leda till personskador.
- Kör inte gräsklipparen i för branta lutningar. Detta minskar risken för att du tappar kontrollen, halkar eller ramlar, som kan resultera i personskador.
- När du arbetar i lutningar ska du alltid stå stadigt, alltid arbeta tvärs över lutningen snarare än uppifrån och ner och vara oerhört försiktig när du byter riktning. Detta minskar risken för att du tappar kontrollen, halkar eller ramlar, som kan resultera i personskador.
- Var extremt försiktig när du backar eller drar gräsklipparen mot dig. Var alltid uppmärksam på din omgivning. Då minskar risken för att snubbla under användningen.
- Vidrör inte knivar eller andra farliga rörliga delar medan de fortfarande är i rörelse. Detta minskar risken för skador som orsakas av rörliga delar.
- När du tar bort material som har fastnat eller rengör gräsklipparen måste du se till att alla strömbrytare är avstängda och att strömsladden är fränkopplad. Övriga rörelser av gräsklipparen kan leda till allvarliga personskador.

Jordfelsbrytare

- Använd en jordfelsbrytare med en utlösningsström på högst 30 mA.

Allmänna säkerhetsanvisningar



VARNING: Läs varningsinstruktionerna nedan innan du använder produkten.

- Denna produkt är farlig om den används på fel sätt, och om du inte är försiktig. Skada eller dödsfall kan inträffa om du inte följer säkerhetsinstruktionerna.
- Denna produkt alstrar ett elektromagnetiskt fält under drift. Detta fält kan under vissa omständigheter ge påverkan på aktiva eller passiva medicinska implantat. För att reducera risken för omständigheter som kan leda till allvarliga eller livshotande skador rekommenderar vi därför personer med implantat att rådgöra med läkare samt tillverkaren av det medicinska implantatet innan denna produkt används.
- Var alltid försiktig och använd sunt förnuft. Om du inte vet hur du ska använda produkten i en särskild situation ska du stanna den och tala med en Husqvarna-återförsäljare innan du fortsätter.
- Tänk på att användaren kommer att hållas ansvarig för olyckor som involverar andra människor eller deras egendom.
- Håll produkten ren. Se till att du kan läsa skyltar och dekaler tydligt.
- Låt aldrig barn eller personer som inte känner till de här instruktionerna använda produkten. Lokala föreskrifter kan ange en åldersgräns för användning.
- Övervaka alltid en person med nedsatt fysisk eller mental kapacitet som använder produkten. En vuxen person måste vara närvarande hela tiden.
- Använd aldrig produkten om du är trött, sjuk eller om du är påverkad av alkohol, droger eller läkemedel. Detta har en negativ inverkan på din syn, ditt ömdöme och din kroppskontroll.
- Använd inte produkten om den är trasig.
- Modifiera aldrig den här produkten och använd den inte om det är möjligt att den har blivit modifierad av andra.
- Använd enbart den här produkten för att klippa gräsmattor. Det är inte tillåtet att använda den för andra uppgifter.
- Använd personlig skyddsutrustning. Se Personlig skyddsutrustning på sida 400.
- Se till att du vet hur man snabbt stoppar motorn i en nödsituation.
- Använd inte produkten i regn eller vid blöta förhållanden. Risken för elektriska stötar ökar om vatten kommer in i produkten.
- Använd inte produkten utan att kniven och alla kåpor är korrekt monterade. En felaktigt monterad kniv kan lossna och orsaka personskador.
- Se till att kniven inte slår emot föremål som stenar och rötter. Detta kan göra att kniven skadas och böja motoraxeln. En böjd axel orsakar kraftiga vibrationer och risken för att kniven lossnar blir mycket hög.
- Om kniven träffar ett föremål eller om det uppstår vibrationer ska du omedelbart stanna produkten. Stäng av motorn, vrid säkerhetsnyckeln till 0 och ta ur batteriet. Vänta tills alla rörliga delar står stilla. Kontrollera om det finns några skador på produkten. Dra åt lösa delar. Reparera skador och byt ut skadade delar. Låt en godkänd serviceverkstad utföra reparationer.
- Fäst aldrig motorbromsbygeln permanent på handtaget när motorn är igång.
- Ställ produkten på ett stabilt plant underlag och starta den. Se till att kniven inte vidrör marken eller andra föremål.
- Håll dig alltid bakom produkten när du använder den.
- Låt alla hjul stå på marken och håll båda händerna på handtaget när du använder produkten. Håll händer och fötter borta från de roterande knivarna.
- Luta inte produkten när du startar motorn eller under användning av produkten.
- Var försiktig när du drar produkten bakåt.
- Lyft aldrig upp produkten när motorn är igång. Om du måste lyfta upp produkten stänger du av motorn, vrider säkerhetsnyckeln till 0 och tar loss batteriet.
- Gå inte baklänges när du använder produkten.

Arbets säkerhet



VARNING: Läs varningsinstruktionerna nedan innan du använder produkten.

- Stäng av motorn när du behöver luta produkten för transport eller innan du förflyttar dig över ytor utan gräs, till exempel vägar med grus, sten och asfalt.
- Spring inte med produkten när motorn är igång. Gå alltid när du använder produkten.
- Stäng av motorn innan du ändrar klipphöjden. Gör aldrig justeringar med motorn igång.
- Lämna aldrig produkten utanför ditt synfält med motorn igång. Stäng av motorn och se till att skärutrustningen inte roterar.
- Vibrationerna i produkten under drift kan skilja sig från deklarerat vibrationsvärde i Tekniska data på sida 408. Skillnaden beror på skillnader i användning av produkten. Om du använder produkten ofta eller under långa perioder bör du ta pauser regelbundet för att förhindra skador till följd av vibrationer.

Säkerhetsinstruktioner för drift

Personlig skyddsutrustning



VARNING: Läs varningsinstruktionerna nedan innan du använder produkten.

- Personlig skyddsutrustning kan inte eliminera skaderisken helt, men den reducerar effekten av en skada vid ett eventuellt olyckstillbud. Be din återförsäljare om hjälp med att välja rätt utrustning.
- Använd kraftiga hals säkra kängor eller skor. Använd inte öppna skor och var inte barfota.
- Använd tjockare långbyxor.
- Använd skyddshandskar vid behov, till exempel när du ansluter, undersöker eller rengör skärutrustningen.
- Vi rekommenderar att du använder hörselskydd.

Säkerhetsanordningar på produkten



VARNING: Läs varningsinstruktionerna nedan innan du använder produkten.

- Använd inte en produkt med defekta säkerhetsanordningar.
- Ta inte bort och gör inga ändringar på säkerhetsanordningar.
- Kontrollera säkerhetsanordningarna regelbundet. Om säkerhetsanordningarna är defekta ska du prata med din Husqvarna serviceverkstad.

Kontrollera klippkåpan

Klippkåpan dämpar vibrationerna och minskar risken för skador orsakade av kniven.

- Undersök klippkåpan för att se till att där inte finns några skador, t.ex. sprickor.

Kontrollera säkerhetsnyckeln

Säkerhetsnyckeln finns under batteriluckan. Säkerhetsnyckeln kopplar in batteriet som matar motorn med ström.

- Starta och stäng av motorn för att kontrollera säkerhetsnyckeln.
- Om säkerhetsnyckeln fungerar korrekt startar motorn endast när nyckeln är i position 1. (Fig. 15)

Kontrollera motorbromsbygeln

Motorbromsbygeln stänger av motorn. När motorbromsbygeln släpps stannar motorn.

- Starta produkten. Se Starta produkten på sida 403.
- Släpp motorbromsbygeln. (Fig. 16)
- Se till att produkten stannar. Om motorn inte stannar inom tre sekunder ska du låta en godkänd Husqvarna-serviceverkstad justera motorbromsen.

Kontrollera startspärren

Gör en kontroll av startspärren för att se till att den hindrar drift av motorn.

1. Tryck motorbromsbygeln i handtagets riktning. Startspärren stoppar rörelsen.
2. Tryck ut startspärren. (Fig. 17)
3. Lossa startspärren och se till att den går tillbaka till ursprungsläget.

Batterisäkerhet



VARNING: Läs varningsinstruktionerna nedan innan du använder produkten.

- Använd endast laddningsbara batterier från Husqvarna som strömkälla för relaterade Husqvarna-produkter. På grund av risken för skador ska du inte använda batteriet som strömkälla för andra enheter.
- Använd inte batterier som inte är laddningsbara.
- Risk för elektrisk stöt. Anslut inte batteripolerna till nycklar, mynt, skruvar eller andra metallföremål. Det kan orsaka kortslutning i batteriet.
- Placera inte föremål i luftspringorna på batteriet.
- Håll batteriet borta från direkt solljus, värme och öppen eld. Batteriet kan explodera och orsaka brännskador och/eller kemiska brännskador.
- Håll batteriet borta från regn och fuktiga förhållanden.
- Håll batteriet borta från mikrovågor och högt tryck.
- Försök inte ta isär eller krossa batteriet.
- Om batteriet läcker ska du inte låta vätskan komma i kontakt med huden eller ögonen. Om du har rört vid vätskan ska du rengöra området med stora mängder vatten och kontakta läkare.
- Använd endast batteriet i produkten när omgivningstemperaturen är mellan 5 och 40 °C.

- Använd endast batteriladdaren när omgivningstemperaturen är mellan 5 och 40 °C.
- Batteriet laddas inte om batteritemperaturen överstiger 50 °C.
- Rengör inte batteriet eller batteriladdaren med vatten. Se Rengöra batteriet och batteriladdaren på sida 405.
- Använd inte ett defekt eller skadat batteri.
- Håll batterier som förvaras borta från metallföremål, exempelvis spikar, mynt och smycken.

Säkerhet, batteriladdare



VARNING: Läs varningsinstruktionerna nedan innan du använder produkten.

- Använd endast QC-batteriladdare för att ladda utbytesbatterier från Husqvarna.
- Risk för elektrisk stöt eller kortslutning. Placera inte föremål i luftspringorna på laddaren. Försök inte plocka isär batteriladdaren. Anslut inte laddarens kontakter till metallföremål. Använd ett godkänt eluttag.
- Denna produkt alstrar ett elektromagnetiskt fält under drift. Detta fält kan under vissa omständigheter ge påverkan på aktiva eller passiva medicinska implantat. För att reducera risken för omständigheter som kan leda till allvarliga eller livshotande skador rekommenderar vi därför personer med implantat att rådgöra med läkare samt tillverkaren av det medicinska implantatet innan denna maskin används.
- Kontrollera regelbundet att nätsladden till batteriladdaren är oskadad och att inga sprickor finns.
- Lyft inte batteriladdaren i nätsladden. Koppla bort batteriladdaren från eluttaget genom att dra i kontakten. Dra inte i nätsladden.
- Håll nätsladd och skarvsladd borta från vatten, olja och skarpa kanter. Var uppmärksam så att inte kabeln kläms i dörrar, stängsel eller liknande. Det kan annars medföra att laddaren blir strömförande.
- Rengör inte batteriladdaren med vatten.
- Batteriladdaren kan användas av barn från 8 år och uppåt och personer med olika funktionshinder eller bristande erfarenhet och kunskap om de hålls under uppsikt eller får instruktioner om säker användning av batteriladdaren och förstår de risker användandet medför. Barn får inte leka med batteriladdaren. Rengöring och underhåll får inte utföras av barn utan tillsyn.

- Ladda aldrig ej uppladdningsbara batterier i batteriladdaren.
- Använd inte batteriladdaren nära brandfarliga material eller material som kan orsaka korrosion. Täck inte över batteriladdaren. Dra ut stickkontakten till batteriladdaren vid rökutveckling eller brand.
- Använd aldrig defekta eller skadade batteriladdare.
- Ladda endast batteriet inomhus där den inte utsätts för solljus och i ett rum med bra luftflöde. Ladda inte batteriet vid fuktiga förhållanden.

Säkerhetsinstruktioner för underhåll



VARNING: Läs varningsinstruktionerna nedan innan du använder produkten.

- För att förhindra oavsiktlig start vid underhåll ska du vrida säkerhetsnyckeln till 0 och ta bort batteriet. Vänta i minst fem sekunder innan du påbörjar underhåll.
- Utför endast det underhållsarbete som anges i den här bruksanvisningen. Mer omfattande arbete och professionell reparation ska utföras av en godkänd serviceverkstad. Tala med din närmaste serviceverkstad för mer information.
- Utför underhållsarbete på rätt sätt för att öka produktens livslängd och minska risken för olyckor.
- Byt ut skadade, slitna och trasiga delar. Använd alltid reservdelar i original från tillverkaren. Andra reservdelar kan orsaka skador på produkten och öka risken för olyckor.
- Undvik risken för skador: Ta inte bort och gör inga ändringar på säkerhetsanordningar.
- Använd kraftiga arbetshandskar när du använder skärutrustningen. Kniven är mycket vass och skärskador uppstår lätt.
- Håll den skärande delen skarp och ren för bästa och säkraste prestanda.
- Låt din serviceverkstad regelbundet kontrollera produkten och göra nödvändiga inställningar och reparationer.
- Följ instruktionerna för byte av tillbehör. Använd endast tillbehör från tillverkaren.
- När den inte används ska du hålla produkten, batteriet och batteriladdaren ifrån varandra på ett torrt och låst utrymme inomhus. Se till att barn och personer som inte är godkända inte kan få tillgång till produkten, batteriet eller batteriladdaren.

Montering

Introduktion



VARNING: Innan du monterar produkten ska du läsa säkerhetskapitlet.



VARNING: Förhindra oavsiktlig start vid montering genom att vrida säkerhetsnyckeln till 0, ta bort batteriet och vänta minst fem sekunder.

Montera handtaget

1. Fäll fram det övre handtaget.

2. Dra åt handtagsvreden. (Fig. 18)
3. Dra handtaget bakåt tills det är i ändläget.
4. Fäll ned höjdjusteringsbygeln och placera den i spåret. (Fig. 19)
5. Tryck ned höjdjusteringsbygeln med foten. (Fig. 20)

Ställa in höjden på handtaget

1. Tryck in höjdjusteringsbygeln med foten.
2. Placera styret i rätt läge och släpp handtaget. (Fig. 21)

Drift

Introduktion



VARNING: Innan du använder produkten måste du läsa igenom och förstå kapitlet om säkerhet.

Husqvarna Connect

Husqvarna Connect är en kostnadsfri app för mobila enheter. Husqvarna Connect-appen utökar funktionerna för Husqvarna-produkten:

- Mer produktinformation.
- Information om, och hjälp med, produktdelar och service.

Börja använda Husqvarna Connect

1. Hämta Husqvarna Connect-appen på din mobila enhet.
2. Utför registreringen i Husqvarna Connect-appen.
3. Följ instruktionerna i Husqvarna Connect-appen för att ansluta och registrera produkten.

Ställa in produkten i arbetsläge

1. Montera handtaget. Se Montera handtaget på sida 402.
2. Ställ in höjden på handtaget. Se Ställa in höjden på handtaget på sida 402.



OBSERVERA: Se till att kablarna inte är för spända. Om en kabel är för spänd kan den skadas när handtaget fälls till transportläge.



VARNING: Använd inte produkten om inte handtaget är helt uppfällt och inställt i något av de aktuella höjdlägena. Se Ställa in höjden på handtaget på sida 402.

Ställa in klipphöjden

Klipphöjden kan justeras i sex olika lägen.

1. Stanna motorn.
2. Flytta klipphöjdsspaken bakåt för att höja klipphöjden. (Fig. 22)
3. Flytta klipphöjdsspaken framåt för att sänka klipphöjden.



OBSERVERA: Ställ inte in för låg klipphöjd. Knivarna kan träffa marken om gräsmattans yta inte är plan.

Batteri



VARNING: Innan du använder batteriet måste du läsa igenom och förstå kapitlet om säkerhet. Du måste också läsa igenom och förstå den bruksanvisning som medföljer batteriet och batteriladdaren.

Förvara batteriet och batteriladdaren i rätt omgivningstemperatur.

	Omgivningstemperatur
Användning av batteri	5–40 °C
Laddning av batteri	5–40 °C

Batteristatus

Displayen visar den återstående batterikapaciteten och om det föreligger problem med batteriet. Batterikapaciteten visas i 5 sekunder efter att produkten har stängts av eller batteriindikatorknappen har tryckts in. Varningssymbolen på batteriet tänds när ett fel har inträffat. Se Batteri på sida 406.

(Fig. 23)

Lysdioder	Batteristatus
Alla lysdioder är tända	Fulladdat (75–100 %)
Lysdiod 1, 2 och 3 lyser	Batteriet är 50–75 % laddat
Lysdiod 1 och 2 lyser	Batteriet är 25–50 % laddat
Lysdiod 1 lyser	Batteriet är 0–25 % laddat.
Lysdiod 1 blinkar	Batteriet är tomt. Ladda batteriet.

Ladda batteriet

Ladda batteriet före första användning. Batteriet är endast 30 % laddat när det levereras till kunden.

Notera: Batteriladdaren måste vara kopplad till den spänning och frekvens som anges på typskylten.

Batteriet laddas inte om batteritemperaturen är över 50 °C. Batteriladdaren sänker batteriets temperatur innan den börjar ladda.

1. Anslut den ena änden av batteriladdarens nätsladd till batteriladdarens uttag.
2. Anslut den andra änden av batteriladdarens nätsladd till ett jordat eluttag. Lysdioden på batteriladdaren blinkar grönt en gång. (Fig. 24)
3. Sätt i batteriet i batteriladdaren. Den gröna lampan på laddaren tänds när batteriet är korrekt anslutet till laddaren. (Fig. 25)
4. När alla lysdioder på batteriet lyser är batteriet fulladdat. Ladda batteriet i högst 24 timmar.
5. Koppla bort batteriladdaren ur vägguttaget genom att dra i kontakten, inte i nätsladden.
6. Ta ut batteriet ur batteriladdaren.

Batteriladdningsstatus

Husqvarna Litium-jon batterier kan laddas eller användas vid alla laddningsnivåer. Batteriet inte är skadat. Ett fulladdat batteri laddas inte ur även om batteriet sitter kvar i laddaren.

LED-display	Laddningsstatus
Lysdiod 1 blinkar	0–25 %

LED-display	Laddningsstatus
Lysdiod 1 lyser, 2 blinkar	25–50%
Lysdioderna 1 och 2 lyser, 3 blinkar	50–75 %
Lysdioderna 1, 2 och 3 lyser, 4 blinkar	75–100%
Lysdioderna 1, 2, 3 och 4 lyser	Fulladdat

Starta produkten

1. Öppna batteriluckan.
2. Sätt i ett laddat batteri i batterihållaren.
3. Vrid säkerhetsnyckeln till 1. (Fig. 26)
4. Stå bakom produkten.
5. Lossa startspärren. (Fig. 17)
6. Tryck motorbromsbygeln i styrets riktning. (Fig. 27)

Använda SaveE™-funktionen

Produkten har en batterisparfunktion (SaveE™) som ger längre drifttid.

- Tryck SaveE™-knappen till läge 1 för att starta funktionen. (Fig. 28)
- Tryck SaveE™ -knappen till läge 0 för att stoppa funktionen.

Notera: SaveE™-funktionen stängs automatiskt av om markförhållandena kräver högre effekt. SaveE™-funktionen startas automatiskt igen när markförhållandena tillåter.

Funktion för hög belastning

När produkten klipper högt eller vått gräs ökar motorn automatiskt varvtalet. Motorn återgår till standardläge när hög belastning inte längre behövs.

Motorn stannar

Under drift kan kniven och motorn tillfälligt stanna på grund av hinder, till exempel gräsansamling under klippkåpan. Om detta inträffar och du håller motorbromshandtaget nedtryckt startar produkten om automatiskt. Om produkten inte startar om på 5–10 sekunder kan det vara nödvändigt att göra rent under klippskyddet. Se Rengöra produkten på sida 405.



WARNING: Om motorn stannar försöker produkten starta om automatiskt i 5–10 sekunder. Vänta i minst 15 sekunder innan du kontrollerar klippkåpan.



WARNING: Innan du kontrollerar klippkåpan: Släpp motorbromsbygeln, vrid säkerhetsnyckeln till 0, ta ut batteriet och

vänta i minst fem sekunder. Det finns risk för skador om hindret tas bort och produkten oavsiktligt startar.

Stoppa produkten



WARNING: Vrid säkerhetsnyckeln till 0 innan du lämnar produkten utom synhåll.

1. Släpp motorbromsbygeln för att stänga av motorn. (Fig. 29)
2. Öppna batteriluckan och vrid säkerhetsnyckeln till läget 0. (Fig. 30)
3. För att ta bort batteriet trycker du på de två frigöringsknapparna och drar ut batteriet. (Fig. 31)

4. Ladda batteriet om det är svagt. För vidare information se Ladda batteriet på sida 403.

Få ett bra resultat

- Använd alltid en vass kniv. En slö kniv ger ett ojämnt resultat och gräsets snittyta blir gul. En vass kniv förbrukar mindre energi än en slö kniv.
- Klipp inte mer än en tredjedel av gräsets längd. Klipp först med hög klipphöjd. Undersök resultatet och sänk klipphöjden till en lämplig nivå. Om gräset är väldigt långt kan du köra sakta och klippa två gånger vid behov.
- Klipp i olika riktningar varje gång för att undvika ränder i gräsmattan.
- Håll klippkåpan ren. Ansamling av gräs och smuts på insidan av klippkåpan kan försämra klippresultatet. Se Rengöra produkten på sida 405.

Underhåll

Introduktion



WARNING: Innan du utför underhåll måste du läsa och förstå kapitlet om säkerhet.

För allt service- och reparationsarbete på produkten krävs särskild utbildning. Vi garanterar att du kan få en fackmannamässig reparation och service utförd. Om din återförsäljare inte är en serviceverkstad kan du tala med dem för information om närmaste serviceverkstad.

Mer information finns här i www.husqvarna.com.

Underhållsschema

Underhållsintervallen beräknas utifrån daglig användning av produkten. Intervallen ändras om produkten inte används dagligen.

För underhåll som markeras med * ska du se anvisningarna i Säkerhet på sida 397.

	Varje användning	Varje månad	Varje säsong
Utför en allmän inspektion.	X		
Rengöra produkten.	X		
Rengör området runt handtagets bygel för höjjustering.	X		
Kontrollera startspärren. *	X		
Kontrollera att produktens säkerhetsanordningar inte är defekta. *	X		
Kontrollera skärutrustningen.	X		
Kontrollera klippkåpan. *	X		
Kontrollera motorbromsbygeln. *	X		
Undersök om det finns några skador på batteriet.	X		
Kontrollera batteriladdningen.	X		
Se till att frigöringsknapparna på batteriet fungerar och låser fast batteriet i produkten.	X		
Undersök om batteriladdaren har skador och se till att den fungerar som den ska.		X	

	Varje användning	Varje månad	Varje säsong
Undersök anslutningarna mellan batteriet och produkten. Undersök även anslutningen mellan batteriet och batteriladdaren.			X

Allmän inspektion

- Se till att skruvar och muttrar på produkten är åtdragna.
- Se till att produktens kablar inte är i ett läge där de kan skadas.

Rengöra produkten

- Rengör plastdelar med en ren och torr trasa.
- Använd inte vatten för att rengöra produkten. Vatten kan tränga in i batteriet eller motorn och orsaka kortslutning eller skada på produkten.
- Undvik att använda högtrycksvätt när du rengör maskinen.
- Spola inte vatten direkt på motorn.
- Använd en borste för att ta bort löv, gräs och smuts.

Rengöra batteriet och batteriladdaren



VARNING: Rengör inte batteriet eller batteriladdaren med vatten.



VARNING: Använd inga kemiska ämnen vid rengöring av batteriet.

- Se till att batteriet och batteriladdaren är rena och torra innan du sätter i batteriet i batteriladdaren.
- Rengör batteripolerna med tryckluft eller med en mjuk, torr trasa.
- Rengör ytorna på batteriet och batteriladdaren med en mjuk, torr trasa.

För att rengöra området runt handtagets bygel för höjdjustering

- Använd en borste för att ta bort löv, gräs och smuts. (Fig. 32)

Kontrollera skärutrustningen



VARNING: Förhindra oavsiktlig start genom att vrida säkerhetsnyckeln till 0, ta bort batteriet och vänta minst fem sekunder.



VARNING: Använd skyddshandskar när du utför underhåll på skärutrustningen.

Kniven är mycket vass och skärskador uppstår lätt.

1. Kontrollera så att skärutrustningen inte är skadad eller har sprickor. Byt alltid ut skadad skärutrustning.
2. Titta på kniven för att se om den är skadad eller slö.

Notera: Kniven måste balanseras när den har slipats. Låt en serviceverkstad slipa, byta och balansera kniven. Om du träffar ett hinder som gör att produkten stannar ska du byta ut den skadade kniven. Låt serviceverkstaden bedöma om kniven kan slipas eller måste ersättas.

Byta knivar

Se Tekniska data på sida 408 för rätt typ av kniv.



VARNING: Lås fast kniven med en träbit för att förhindra skador på fingrarna vid knivbyte. Kniven kan förflyttas när motorn är avstängd och fingrarna fastna mellan kniven och de fasta delarna.

1. Lås kniven med en träbit. (Fig. 33)
2. Ta bort knivbulten, fjäderbrickan och kniven. (Fig. 34)
3. Kontrollera knivstödet och knivbulten för att se om det finns skador.
4. Kontrollera motoraxeln för att se till att den inte är böjd.
5. När du monterar en ny kniv ska du rikta knivens vinklade ändar mot Klippkåpan. (Fig. 35)
6. Se till att kniven är i linje med motoraxelns mitt.
7. Lås kniven med en träbit. Montera fjäderbrickan och dra åt bulten och brickan med ett vridmoment på 23–28 Nm. (Fig. 36) (Fig. 34)
8. Dra runt kniven för hand och se till att den roterar fritt.



VARNING: Använd kraftiga arbetshandskar. Kniven är mycket vass och skärskador uppstår lätt.

9. Starta produkten för att testa kniven. Om kniven inte är korrekt monterad känner du vibrationer i produkten eller så är klipprisultat otillfredsställande.

Felsökning

Batteri

Lysdiod på batteriet	Orsak	Lösning
Den gröna lysdioden blinkar.	Batterispänningen är låg.	Ladda batteriet. Se Ladda batteriet på sida 403.
Lysdioden för fel blinkar.	Batteriet är svagt.	Ladda batteriet. Se Ladda batteriet på sida 403.
	Temperaturen i arbetsmiljön är för hög eller för låg.	Använd batteriet vid temperaturer mellan 5 och 40 °C.
	Överspänning.	Se till att nätspänningen stämmer med den som anges på produktens typskylt. Ta ut batteriet ur batteriladdaren. Vänta fem sekunder och försök att ladda batteriet igen. Om problemet kvarstår kontakta du en godkänd serviceverkstad.
Lysdioden för fel lyser.	För stor cellskillnad (1 V).	Tala med en godkänd serviceverkstad.

Batteriladdare

Lysdiod på batteriladdaren	Orsak	Lösning
Lysdioden för fel blinkar.	Temperaturen i arbetsmiljön är för hög eller för låg.	Använd batteriladdaren i temperaturer mellan 5 och 40 °C.
Lysdioden för fel lyser.		Tala med en godkänd serviceverkstad.

Gräsklippare

Varningsindikatorn (varningslampan) finns under batterilocket.

Problem	Varningslampan (antal blinkningar)	Orsak	Lösning
Varningslampan blinkar. Produkten fungerar inte som den ska.	5	Kniven är igensatt.	Vrid säkerhetsnyckeln till 0 för att förhindra oavsiktlig start. Ta ut batteriet och vänta minst fem sekunder. Avlägsna eventuella hinder och se till att kniven kan rotera fritt. Om problemet kvarstår kontaktar du en godkänd serviceverkstad.
		Motorns varvtal sjunker för mycket och motorn stängs av.	Öka klipphöjden. Se Ställa in klipphöjden på sida 402.
	10	Motorstyrningen är för varm.	Stäng av motorn och vänta tills den har svalnat.
Varningslampan blinkar. Produkten stannar.	0	Batterianslutningsfel.	Undersök batterianslutningen.
	3	Motorn är överbelastad.	Öka klipphöjden. Se Ställa in klipphöjden på sida 402.
	8	Batteriet är svagt.	Ladda batteriet. Se Ladda batteriet på sida 403.
	9	Batterifel eller ingen signal från batteriet.	Sätt batteriet i produkten på rätt sätt och undersök batterianslutningen. Om varningslampan på batteriet blinkar. Se Batteristatus på sida 403.
	12	Felaktigt startförfarande. Motorns bromshandtag har aktiverats innan motorn startar.	Släpp motorns bromshandtag och vänta cirka fem sekunder. Tryck ner motorns bromshandtag igen för att starta produkten.
Andra fel.	Om andra fel uppstår vrid du säkerhetsnyckeln till 0, tar bort batteriet och kontaktar en godkänd serviceverkstad.		

Transport, förvaring och kassering

Introduktion



VARNING: Förhindra oavsiktlig start vid transport och förvaring genom att vrida säkerhetsnyckeln till 0, ta bort batteriet och vänta minst fem sekunder.

Ställa in produkten i transportläge

1. Tryck på höjjusteringsbygeln med foten. (Fig. 37)
2. Dra upp handtaget och dra ut höjjusteringsbygeln från spåret.
3. Fäll handtaget framåt tills det når ändläget. (Fig. 38)
4. Vik höjjusteringsbygeln mot klippkåpan. (Fig. 39)
5. Släpp på handtagsvreden. (Fig. 40)
6. Fäll det övre handtaget bakåt. (Fig. 41)

Transport

- Kraven i lagstiftningen för farligt gods gäller för de medföljande litiumjonbatterierna.
- För kommersiella transporterna måste särskilda krav på förpackning och etiketter följas.
- Se till att du följer kraven gällande farligt material när du förbereder produkten för transport. Lokala föreskrifter kan gälla.
- Ta alltid loss alltid batteriet vid transport.
- Sätt tejp på batterikontakterna och se till att batteriet inte kan röra sig under transport.
- Sätt fast produkten under transport.

Lagerförvaring

- Låt produkten svalna innan du ställer undan den.
- Ta alltid ut batteriet vid förvaring.

- Förhindra olyckor genom att se till att batteriet inte är kopplat till produkten vid förvaring.
- Förvara batteriladdaren på en sluten och torr plats.
- Förvara batteriet och batteriladdaren på en torr plats där det inte finns någon fukt eller frost.
- Koppla ur batteriet från batteriladdaren vid förvaring.
- Förvara inte batteriet där statisk elektricitet kan uppkomma. Förvara inte batteriet i en metallåda.
- Förvara produkten i temperaturer mellan -10 och 40 °C.
- Förvara batteriet i temperaturer mellan 5 och 25 °C, inte i direkt solljus.
- Förvara batteriladdaren i temperaturer mellan 5 och 45 °C, inte i direkt solljus.
- Se till att batteriet är 30–50 % laddat innan du förvarar det under längre perioder.
- Förvara produkten, batteriet och batteriladdaren i ett låst utrymme utom räckhåll för barn och personer som inte är godkända.
- Rengör produkten och se till att gräsuppsamlaren är tom.

- Utför underhåll enligt anvisningarna i den här bruksanvisningen. Se Underhållsschema på sida 404.
- Gör en fullständig service innan du ska ställa undan produkten under en längre tid.

Kassering

Symbolen på produkten eller dess förpackning indikerar att denna produkt inte får hanteras som hushållsavfall. Istället ska den överlämnas till lämplig återvinningsstation för återvinning av elektrisk och elektronisk utrustning.

Genom att se till att denna produkt omhändertas ordentligt kan du hjälpa till att motverka potentiella negativa konsekvenser på miljö och människor, vilka annars kan orsakas genom oriktig avfallshantering av denna produkt. För mer detaljerad information om återvinning av denna produkt, kontakta din kommun, din hushållsavfallsservice eller affären där du köpte produkten.

(Fig. 42)

Tekniska data

	LB 144i
Klippmotor	
Motor typ	BLDC (borstlös) 36 V
Motorvarvtal – SavE, varv/min	2600/min
Motorvarvtal – nominellt, varv/min	3200/min
Motorvarvtal – hög belastning, varv/min	3500/min
Motoreffekt – max. kW	0,9
Motoreffekt – nominell, kW	0,75
Drivmotor	
Motoreffekt – nominell, kW	Ej tillämpligt
Självgående hastighet, km/h	Ej tillämpligt
Nivåer för varvtalsreglering	Ej tillämpligt
Vikt	
Vikt (exkl. batteri), kg	15,5
Vikt (inkl. 1 st. BLi30), kg	17,5
Batteri	
Batterityp	Husqvarna Battery-serien
Batteritid	
Batteritid (fri drift) med SavE-läget aktiverat med ett Husqvarna-batteri på 7,5 Ah (BLi30), minuter	170

	LB 144i
Batteritid (fri drift) med standardläget aktiverat med ett Husqvarna-batteri på 7,5 Ah (BLi30), minuter	135
Bulleremission ⁷³	
Ljudeffektnivå, uppmätt dB(A)	90
Ljudeffektnivå, garanterad L _{WA} dB(A)	92
Ljudnivåer ⁷⁴	
Ljudtrycksnivå vid användarens öra, dB(A)	77
Vibrationsnivåer ⁷⁵	
Handtag, m/s ²	0,7
Skärutrustning	
Klipphöjd, mm	25–75
Klippbredd, cm	44
Kniv, standard	Mulching 5298073-10
Knivtillbehör	Ej tillämpligt

Godkända batterier	Typ	Batterikapacitet, Ah	Spänning, V	Vikt, lb/kg
40-B140	Litiumjonbatteri	4,0	36	2,6/1,2
BLi30	Litiumjonbatteri	7,5	36	4,2/1,9

Laddare som är godkända för de angivna batterierna, BLi	Ingående spänning, V	Frekvens, Hz	Effekt, W
40-C80	100–240	50–60	68,8
QC250	220–240	50	250

⁷³ Bulleremission till omgivningen uppmätt som ljudeffekt (L_{WA}) enligt EG-direktiv 2000/14/EG.

⁷⁴ Rapporterade data för ljudtrycksnivå har en osäkerhetsfaktor (K) på 1,5 dB(A).

⁷⁵ Rapporterade data för vibrationsnivå har en osäkerhetsfaktor (K) på 1,5 m/s². Det deklarerade totala vibrationsvärdet har uppmätts i enlighet med SS-EN 62841-4-3, bilaga 1 och kan användas för jämförelse av en maskin med en annan samt vid en preliminär bedömning av exponering.

Försäkran om överensstämmelse

EU-försäkran om överensstämmelse

Vi, **Husqvarna AB**, 561 82 Huskvarna, Sverige, tel:
+46-36-146500, försäkrar på eget ansvar att produkten:

Beskrivning	Gräsklippare
Varumärke	Husqvarna
Typ/Modell	LB 144i
Identifiering	Serienummer daterade 2022 och framåt

uppfyller alla krav i följande EU-direktiv och förordningar:

Lagstiftning	Beskrivning
2006/42/EG	"om maskiner"
2014/30/EU	"angående elektromagnetisk kompatibilitet"
2000/14/EC	"angående emission av buller till omgivningen"
2011/65/EU	"angående begränsning av användning av vissa farliga ämnen i elektrisk och elektronisk utrustning"

och att följande standarder och/eller tekniska specifikationer tillämpas: EN 62841-1:2015/AC:2015, EN IEC 62841-4-3:2021/A11:2021, EN ISO 12100:2010, EN 55014-1:2021, EN 55014-2:2021, EN IEC 61000-6-2:2019, EN IEC 61000-6-3:2021, EN IEC 63000:2018

Anmält organ: 0404, RISE SMP Svensk Maskinprovning AB, Box 4053, SE-904 03 Umeå, Sweden har intygat överensstämmelse med rådets direktiv 2000/14/EG, procedur för utvärdering av överensstämmelse: bilaga VI.

För information om bulleremissioner, se Tekniska data på sida 408.

Huskvarna, 2022-12-05



Claes Losdal, utvecklingschef/trädgårdsprodukter,
Husqvarna AB

Ansvarig för teknisk dokumentation



İçindekiler

Giriş.....	411	Sorun giderme.....	421
Güvenlik.....	412	Taşıma, depolama ve atma.....	422
Montaj.....	417	Teknik veriler.....	423
Çalışma.....	417	Uyumluluk Bildirimi.....	425
Bakım.....	419		

Giriş

Ürün açıklaması

Ürün, çimleri gübre olacak şekilde kesmek için BioClip kullanan yaya kumandalı bir döner çim biçme makinesidir.

Ürüne genel bakış

(Şek. 1)

1. Tutma yeri/Gidon
2. Motor fren kolu
3. Başlatma engelleyici
4. Kaldırma tutma yerleri
5. Kesim tablası
6. Kesim yüksekliği kolu
7. Güvenlik anahtarı
8. Akü kapağı
9. Gidon için yükseklik ayarı kolu
10. SavE düğmesi
11. Uyarı göstergesi (hata LED'i)
12. Kullanım kılavuzu
13. Akü şarj cihazı (Aksesuar)
14. Akü (Aksesuar)

Ürün üzerindeki semboller

- (Şek. 2) UYARI
- (Şek. 3) Talimatları okuyun.
- (Şek. 4) UYARI - Fırlayan nesnelere karşı dikkatli olun.
- (Şek. 5) Hiç kimsenin yaklaşmasına izin vermeyin.
- (Şek. 6) UYARI – Ellerinizi ve ayaklarınızı bıçaklardan uzakta tutun.
- (Şek. 7) UYARI – Bakımdan önce akünün bağlantısını kesin.
- (Şek. 8) Ürün ya da ürünün ambalajı evsel atık değildir. Ürünü, elektrikli ve elektronik

Kullanım amacı

Ürünü çim biçmek için kullanın. Ürünü başka işler için kullanmayın.

ekipmanlar için bir geri dönüşüm istasyonunda geri dönüştürün.

(Şek. 9) AB ve BK direktifleri ile düzenlemeleri ve Yeni Güney Galler mevzuatı "Çevre Koruma Operasyonları (Gürültü Kontrolü) Yönetmeliği 2017" uyarınca çevreye yayılan gürültü emisyonu etiketi. Ürünün garantili ses gücü düzeyi Teknik veriler sayfasında 423 ve etiketin üstünde belirtilmektedir.

(Şek. 10) Bu ataşman yürürlükteki AT direktiflerine uygundur.

(Şek. 11) Bu ürün yürürlükteki Birleşik Krallık yönetmeliklerine uygundur.

(Şek. 12) Ürün damlamaya karşı korumalıdır.

(Şek. 13) Durdurmak için motor fren kolunu serbest bırakın.

(Şek. 14) Taranabilir kod.

Not: Ürünün üzerindeki diğer semboller/etiketler, bazı pazarların sertifikalandırma gereklilikleri ile ilgilidir.

Ürün sorumluluğu

Ürün sorumluluğu yasalarında belirtildiği üzere;

- ürünün hatalı bir şekilde onarılması,
- ürünün, üretici tarafından onaylanmayan veya üreticiden alınmayan parçalarla tamir edilmesi,
- üründe, üreticiden alınmayan veya üretici tarafından onaylanmayan bir aksesuar bulunması,

- ve ürünün, onaylı bir servis merkezinde veya yetkili bir kurum tarafından tamir edilmemesi durumunda oluşabilecek hasarlardan sorumlu değildir.

Güvenlik

Güvenlik tanımları

Kılavuzdaki önemli kısımları vurgulamak için uyarılar ve notlar kullanılmıştır.



UYARI: Kılavuzdaki talimatlara uyulmadığı takdirde operatör veya çevredeki kişiler için ciddi yaralanma veya ölüm tehlikesi varsa kullanılır.



DİKKAT: Kılavuzdaki talimatlara uyulmadığı takdirde ürünün, diğer malzemelerin veya çevrenin zarar görme riski olduğunda kullanılır.

Not: Belirli bir durumda bilgi verilmesi gerektiğinde kullanılır.

Genel ürün güvenlik uyarıları



UYARI: Bu ürünle birlikte verilen tüm güvenlik uyarılarını, talimatları, çizimleri ve teknik özellikleri okuyun. Aşağıda listelenen talimatların göz ardı edilmesi elektrik çarpmasına, yangına ve/veya ciddi yaralanmaya neden olabilir.

Tüm uyarı ve talimatları ilerde başvurmak üzere saklayın. Uyarılardaki "ürün" şebeke akımıyla çalışan (kablolu) ürününüzü veya aküyle çalışan (kablolu) ürününüzü belirtmektedir.

Çalışma alanı güvenliği

- Çalışma alanını temiz ve iyi aydınlatılmış tutun. Kalabalık veya karanlık alanlar kazalara neden olabilir.
- Ürünü yanıcı maddelerin, gazların veya tozların bulunduğu patlayıcı ortamlarda çalıştırmayın. Ürün, toz veya gazı ateşleyebilecek kıvılcımlar çıkarır.
- Ürünü kullanırken çocukları ve çevredeki kişileri uzakta tutun. Dikkatinizin dağılması, kontrolü kaybetmenizden neden olabilir.

Elektrik güvenliği

- Ürün fişleri prize uygun olmalıdır. Hiçbir zaman fişler üzerinde herhangi bir değişiklik yapmayın. Topraklı (topraklanmış) ürünlerle herhangi bir adaptör fiş kullanmayın. Değiştirilmemiş fişler ve uygun prizler, elektrik çarpması riskini azaltır.

- Boru, radyatör, fırın, buzdolabı gibi topraklı yüzeylerle vücut temasından kaçının. Vücudunuz topraklı ise elektrik çarpması riski artar.
- Ürünleri yağmura veya ıslak koşullara maruz bırakmayın. Ürüne su girdiğinde elektrik çarpması riski artar.
- Kabloyu kötü kullanmayın. Kabloyu asla ürünü taşımak, çekmek veya fişini çıkarmak için kullanmayın. Kabloyu ısıdan, yağdan, keskin kenarlardan veya hareketli parçalardan uzakta tutun. Hasar görmüş veya dolaşmış kablolar, elektrik çarpması riskini artırır.
- Ürünü dış mekanda kullanırken, dış mekan kullanımı için uygun bir uzatma kablosu kullanın. Dış mekan için uygun bir kordon kullanmak, elektrik çarpması riskini azaltır.
- Ürünü mutlaka nemli bir ortamda çalıştırmamız gerekiyorsa artık akım cihazı (RCD) korumalı bir güç kaynağı kullanın. RCD kullanmak elektrik çarpması riskini azaltır.

Kişisel güvenlik

- Ürünü kullanırken tetikte olun, dikkatinizi yaptığınız işe verin ve sağduyulu olun. Yorgunken veya uyuşturucu, alkol ya da ilaç etkisi altındayken ürünü kullanmayın. Ürünleri kullanırken bir anlık bir dikkatsizlik, ciddi yaralanmaya neden olabilir.
- Kişisel koruyucu ekipmanlar kullanın. Daima koruyucu gözlük takınız. Uygun durumlarda toz maskesi, kaymayan güvenlik ayakkabıları, çelik başlık veya kulak koruma ekipmanı gibi koruyucu ekipman kullanımı yaralanmaları azaltır.
- İstenmeyen çalıştırmaları önleyin. Güç kaynağına ve/veya akü grubuna bağlamadan, ürünü kaldırmadan veya taşımadan önce anahtarın kapalı konumda olduğundan emin olun. Ürünleri parmağınız çalıştırma düğmesindeyken taşımak veya açık elektrikli ürünlere enerji vermek kazalara yol açabilir.
- Ürünü açmadan önce ayarlama anahtarlarını veya İngiliz anahtarlarını çıkarın. Ürünün dönen kısmına takılı bırakılan İngiliz anahtarı veya anahtar yaralanmaya neden olabilir.
- Makineyi kullanırken erişim alanınızın dışındaki yerlere uzanmaya çalışmayın. Her zaman yere sağlam basın ve dengenizi koruyun. Bu, ürünün beklenmedik durumlarda daha iyi kontrolünü sağlar.
- Gerektiği gibi giyinin Bol elbise veya takı giymeyin. Saçınızı ve kıyafetinizi hareketli parçalardan uzakta tutun. Hareketli parçalara bol giysiler, takılar veya uzun saçlar takılabilir.
- Cihazlar toz çekme ve toplama takımı bağlantısı ile geldiyse bunların bağlı olduğundan ve düzgün

kullanıldığından emin olun. Toz toplama özelliği tozla ilgili tehlikeleri azaltabilir.

- Ürünleri sık kullanmanın verdiği aşinalıkla kendinizi rahat hissedip ürün güvenli ilkelerini görmezden gelmeyin. Dikkatsizce gerçekleştirilen işlemler bir anda ciddi yaralanmalara neden olabilir.

Ürün kullanımı ve bakımı

- Ürünü zorlamayın. Yapacağınız iş için doğru ürünü kullanın. Doğru ürün, tasarlandığı oranda işi daha iyi ve güvenli yapar.
- Anahtar, ürünü açıp kapatmıyorsa ürünü kullanmayın. Anahtar ile kontrol edilemeyen ürünler tehlikelidir ve onarılmalıdır.
- Herhangi bir ayarlama yapmadan, aksesuar değiştirmeden veya ürünleri depolamadan önce ürünün fişini güç kaynağından çekin ve/veya çıkarılabilirse akü grubunu çıkarın. Bu tür önleyici güvenlik önlemleri, ürünün kazara çalıştırılma riskini azaltır.
- Kullanılmayan ürünleri çocukların erişemeyeceği yerde saklayın ve ürüne veya bu talimatlara yabancı olan kişilerin ürünü çalıştırmasına izin vermeyin. Ürünler, eğitimsiz kullanıcıların elinde tehlikelidir.
- Ürün ve aksesuarların bakımını yapın. Hareketli parçaların yanlış konumlandırılması veya bağlanması, parçaların kırılması ve ürünün çalışmasını etkileyebilecek herhangi bir durum olup olmadığını kontrol edin. Hasarlıysa kullanmadan önce ürünü tamir ettirin. Çoğu kaza yetersiz bakım yapılmış ürünlerden kaynaklanmaktadır.
- Kesme araçlarını keskin ve temiz tutun. Bakımı düzgün yapılmış, kesen tarafları yeterli keskinlikte olan kesme araçlarının takılma ihtimali daha az olup kontrol etmesi daha kolaydır.
- Ürün, aksesuarlar, araç parçaları vb. bileşenleri, çalışma koşullarını ve yapılacak işi göz önünde bulundurarak bu talimatlara uygun şekilde kullanın. Ürünün tasarlanan amaçlar dışında kullanılması tehlikeli bir duruma yol açabilir.
- Tutma yerlerini ve kavrama yüzeylerini kuru, temiz, gres ve yağdan arındırılmış halde tutun. Kaygan tutma yerleri ve kavrama yüzeyleri beklenmedik durumlarda ürünün güvenli şekilde kullanılmasına ve kontrol edilmesine izin vermez.

Akülü alet kullanımı ve bakımı

- Sadece üreticinin belirttiği şarj aletiyle şarj edin. Bir akü grubu için uygun olan bir şarj aleti başka bir akü grubuyla kullanıldığında yangın riski doğurabilir.
- Ürünleri yalnızca özel olarak belirlenmiş akü gruplarıyla kullanın. Farklı türde akü gruplarının kullanılması yangın ve yaralanma riski doğurabilir.
- Akü grubu kullanımda değilken ataç, bozuk para, anahtar, çivi, vida veya diğer küçük metal cisimler gibi bir ucun başka bir uca bağlanmasına neden olabilecek cisimlerden uzak tutun. Akü uçlarının kısa devre yapması vücudun yanmasına veya yangına neden olabilir.

- Zorlayıcı koşullarda aküden elektrolit sızabilir; dokunmayın. Kazayla temas ederseniz bol suyla yıkayın. Sıvı göze temas ederse ayrıca doktora başvurun. Aküden sızan sıvı cildin tahriş olmasına veya yanıklara neden olabilir.
- Hasarlı veya değiştirilmiş bir akü grubu veya alet kullanmayın. Hasarlı veya üzerinde değişiklik yapılmış aküler yangın, patlama ya da yaralanma riski ile sonuçlanabilecek beklenmedik davranışlar sergileyebilir.
- Akü grubunu veya aleti ateşe veya aşırı sıcaklığa maruz bırakmayın. Bunların ateşe veya 130°C/265°F üzeri sıcaklığa maruz kalması patlamaya neden olabilir.
- Tüm şarj etme talimatlarına uyun ve akü grubunu ya da aleti talimatlarda belirtilen sıcaklık aralığı dışında şarj etmeyin. Belirtilen sıcaklık aralığının dışında veya hatalı olarak yapılan şarj işlemleri, aküye zarar verebilir ve yangın riskini artırabilir.

Hizmet

- Ürününüzün yalnızca aynı yedek parçalar kullanan uzman bir tamirci tarafından onarılmasını sağlayın. Bu, ürünün güvenliğini sağlanmasını için gereklidir.
- Hasarlı akü gruplarına asla servis işlemi uygulamayın. Akü gruplarının servis işlemleri yalnızca üretici veya yetkili servis sağlayıcıları tarafından gerçekleştirilmelidir.

Çim biçme makinesi güvenlik uyarıları

- Çim biçme makinesini kötü hava koşullarında; özellikle de yıldırım düşmesi riski olduğu durumlarda kullanmayın. Bu, bir yıldırım tarafından çarpılma riskini azaltır.
- Çim biçme makinesinin kullanılacağı alandaki doğal hayatı dikkatlice inceleyin. Çalışma sırasında doğal hayat, çim biçme makinesi nedeniyle zarar görebilir.
- Çim biçme makinesinin kullanılacağı alanı dikkatlice kontrol edin; tüm taşları, dal parçalarını, telleri, kemikleri ve diğer yabancı nesnelere kaldırın. Fırlayan nesnelere yaralanmalara neden olabilir.
- Çim biçme makinesini kullanmadan önce daima bıçağın ve bıçak tertibatının aşınmış veya hasarlı olup olmadığını gözle kontrol edin. Aşınmış veya hasarlı parçalar yaralanma riskini artırır.
- Çim toplama sepetinde yıpranma veya bozulma olup olmadığını sık sık kontrol edin. Aşınmış veya hasarlı çim toplama sepeti, yaralanma riskini artırabilir.
- Siperlikleri yerinde tutun. Siperlikler çalışır durumda olmalı ve düzgün şekilde monte edilmelidir. Gevşek, hasarlı veya düzgün çalışmayan bir siperlik, yaralanmalara neden olabilir.
- Soğutma havası girişlerinde döküntü olmadığından emin olun. Tıkalı hava girişleri ve döküntüler aşırı ısınmaya veya yangın riskine neden olabilir.
- Çim biçme makinesini kullanırken her zaman kaymayan ve koruyucu ayakkabı giyin. Çim biçme makinesini çıplak ayakla veya açık sandalet giyerek kullanmayın. Bu, ayakların hareket eden bıçağa

temas etmesiyle oluşabilecek yaralanma olasılığı azaltır.

- **Çim biçme makinesini kullanırken her zaman uzun pantolon giyin.** Açıkta kalan cilt, fırlatılan nesnelere kaynaklanan yaralanma olasılığını artırır.
- **Çim biçme makinesini ıslak çimende kullanmayın.** Yürüyün, asla koşmayın. Bu, yaralanmaya neden olabilecek kayma ve düşme riskini azaltır.
- **Çim biçme makinesini aşırı dik eğimlerde kullanmayın.** Bu, yaralanmaya neden olabilecek kontrol kaybı, kayma ve düşme riskini azaltır.
- **Eğimli yerlerde çalışırken her zaman yere sağlam basın, makineyi eğimli yüzeye paralel kullanın, asla yukarı veya aşağı doğru kullanmayın ve yön değiştirirken çok dikkatli olun.** Bu, yaralanmaya neden olabilecek kontrol kaybı, kayma ve düşme riskini azaltır.
- **Çim biçme makinesini geri hareket ettirirken veya kendinize doğru çekerken çok dikkatli olun.** Her zaman çevrenize dikkat edin. Bu, çalışma sırasında takılma riskini azaltır.
- **Hareket halindedelerken bıçaklara ve diğer tehlikeli hareketli parçalara dokunmayın.** Bu, hareketli parçalardan kaynaklanan yaralanma riskini azaltır.
- **Sıkışmış malzemeyi temizlerken veya çim biçme makinesini temizlerken, tüm güç anahtarlarının kapalı olduğundan ve güç kablosunun çıkarıldığından emin olun.** Çim biçme makinesinin beklenmedik şekilde çalışması ciddi yaralanmalara neden olabilir.

Artık akım cihazı

- Maksimum 30 mA kesme akımı olan bir artık akım cihazı kullanın.

Genel güvenlik talimatları



UYARI: Ürünü kullanmadan önce aşağıdaki uyarı talimatlarını okuyun.

- Bu ürün yanlış kullanıldığında veya dikkatli olmazsanız tehlikelidir. Güvenlik talimatlarına uyulmaması yaralanmalara veya ölüme yol açabilir.
- Bu ürün, çalışırken elektromanyetik bir alan oluşturur. Bu alan, bazı koşullarda aktif veya pasif tıbbi implantlarda girişime neden olabilir. Ciddi veya ölümcül yaralanma riskini azaltmak için tıbbi implantı olan kişilerin, bu ürünü kullanmadan önce doktorlarına ve tıbbi implant üreticilerine danışmalarını öneririz.
- Her zaman dikkatli olun ve sağduyunuzu kullanın. Özel bir durumda aracı nasıl kullanacağınızdan emin değilseniz durun ve devam etmeden önce Husqvarna yetkili satıcınızla görüşün.
- Diğer insanları veya bu insanlara ait mülkleri içeren kazalardan operatörün sorumlu tutulacağını unutmayın.

- Ürünü temiz tutun. İşaretleri ve etiketleri net bir şekilde okuyabildiğinizden emin olun.
- Çocukların veya bu kullanma talimatlarını bilmeyen kişilerin cihazı kullanmasına asla izin vermeyin. Yerel yönetmeliklerde operatör yaşı konusunda bir sınırlama olabilir.
- Fiziksel veya zihinsel kapasitesi düşük olan bir kişi ürünü kullanırken bu kişiyi daima gözetim altında tutun. Sorumluluk sahibi bir yetişkin her zaman orada olmalıdır.
- Ürünü yorgun, hasta veya alkol ya da ilaç etkisi altındayken kullanmayın. Bu durum görüş, dikkat, koordinasyon ve doğru bir şekilde düşünmenizi olumsuz yönde etkiler.
- Arızalıysa ürünü kullanmayın.
- Başkaları tarafından değiştirilmiş olma olasılığı varsa bu ürünü değiştirmeyin veya kullanmayın.

Çalışma güvenliği



UYARI: Ürünü kullanmadan önce aşağıdaki uyarı talimatlarını okuyun.

- Bu ürünü yalnızca çimenlik alanlarda çim kesmek için kullanın. Ürünün başka işler için kullanılması yasaktır.
- Kişisel koruyucu ekipmanlar kullanın. Bkz. Kişisel koruyucu ekipman sayfa: 415.
- Acil bir durumda motoru hızlı bir şekilde nasıl kapatacağınızı öğrenin.
- Ürünü yağmurda veya ıslak koşullarda çalıştırmayın. Ürünün içine su girerse elektrik çarpması riski artar.
- Bıçağı ve tüm kapakları doğru bir şekilde takmadan ürünü çalıştırmayın. Yanlış bir şekilde takılan bıçak gevşeyerek yaralanmanıza neden olabilir.
- Bıçağın taş veya kök gibi nesnelere çarpmasına dikkat edin. Bu, bıçağa zarar verebilir ve motor milini bükebilir. Bükülmüş aks, ağır titreşime ve çok yüksek bir bıçak gevşemesi riskine neden olabilir.
- Bıçak bir cisme çarpar veya titreşim olursa ürünü hemen durdurun. Motoru durdurun, güvenli anahtarını 0 konumuna getirin ve aküyü çıkarın. Hareketli parçalar durana kadar bekleyin. Üründe hasar olup olmadığını kontrol edin. Gevşek parçaları sıkın. Hasarları onarın ve hasarlı parçaları değiştirin. Onarımı yetkili bir servis noktasında yaptırın.
- Motor çalıştırıldığında motor fren kolunu asla sürekli olarak kola takmayın.
- Ürünü sabit ve düz bir yüzeye koyup çalıştırın. Bıçağın yere veya diğer cisimlere çarpmadığından emin olun.
- Ürünü çalıştırırken her zaman arkasında durun.
- Ürünü kullanırken tüm tekerleklerin yere basmasını sağlayın ve 2 elinizi kolun üzerinde tutun. El ve ayaklarınızı döner bıçaklardan uzak tutun.
- Motoru çalıştırırken veya ürünün çalışması sırasında ürünü eğmeyin.
- Ürünü arkaya doğru çekerken dikkatli olun.

- Motor çalışırken ürünü hiçbir zaman yukarı kaldırmayın. Ürünü kaldırmazın gerekiyorsa öncelikle motoru durdurun, güvenlik anahtarını 0 konumuna getirin ve aküyü çıkarın.
- Ürünü kullanırken arkaya doğru yürümeyin.
- Ürünü taşımak için yatırmanız gerektiğinde veya asıl bulunmayan alanlarda (örneğin çakıl, taş ve asfalttan yapılan yollar) hareket etmeden önce motoru durdurun.
- Motor çalışırken ürünle birlikte koşmayın. Ürünü kullanırken her zaman yürüyün.
- Kesme yüksekliğini değiştirmeden önce motoru durdurun. Motor çalışırken asla ayarlama yapmayın.
- Motor çalışırken ürünün görüş alanından çıkmasına asla izin vermeyin. Motoru durdurun ve kesme donanımının dönmediğinden emin olun.
- Çalışma sırasında üründeki titreşimler, Teknik veriler sayfa: 423 bölümünde belirtilen titreşim değerinden farklı olabilir. Fark, ürünün kullanım şeklindeki değişikliklerden kaynaklanır. Ürünü sıklıkla veya uzun süre kullanıyorsanız titreşimlerden kaynaklanabilecek yaralanmaları önlemek için düzenli olarak mola verin.

Kullanım için güvenlik talimatları

Kişisel koruyucu ekipman



UYARI: Ürünü kullanmadan önce aşağıdaki uyarı talimatlarını okuyun.

- Kişisel koruyucu ekipmanlar yaralanma riskini tamamen engelleyemez ancak bir kaza durumunda yaralanmanın derecesini azaltır. Bayinizin doğru ekipmanı seçmenize yardımcı olmasını sağlayın.
- Ağır hizmet tipi kaymayan botlar veya ayakkabılar kullanın. Açık ayakkabılar giymeyin veya çıplak ayakla yürümeyin.
- Kalın, uzun pantolonlar giyin.
- Kesme donanımını takma, kontrol etme veya temizleme gibi gerekli durumlarda koruyucu eldivenler kullanın.
- Kulak koruma ekipmanı kullanmanızı öneririz.

Ürünün üzerindeki güvenlik aletleri



UYARI: Ürünü kullanmadan önce aşağıdaki uyarı talimatlarını okuyun.

- Güvenlik araçları arızalı olan bir ürünü kullanmayın.
- Güvenlik cihazlarını çıkarmayın veya cihazların üzerinde değişiklik yapmayın.
- Güvenlik araçlarını düzenli olarak kontrol edin. Güvenlik araçları arızalıysa Husqvarna servis noktanızla görüşün.

Kesme kapağını kontrol etme

Kesme kapağı, üründeki titreşimleri ve bıçakla yaralanma riskini azaltır.

- Çatlak gibi hasarlar olmadığından emin olmak için kesme kapağını inceleyin.

Güvenlik anahtarını kontrol etme

Güvenlik anahtarı, akü kapağının altındadır. Güvenlik anahtarı, motora güç sağlayan aküye bağlıdır.

- Güvenlik anahtarını kontrol etmek için motoru çalıştırın ve durdurun.
- Güvenlik anahtarı doğru çalışıyorsa motor sadece güvenlik anahtarı 1 konumuna getirildiğinde çalışır. (Şek. 15)

Motor freni tutma yerini kontrol etme

Motor fren kolu motoru durdurur. Motor fren kolu serbest bırakıldığında motor durur.

- Ürünü çalıştırın. Bkz. Ürünü çalıştırma sayfa: 418.
- Motor fren kolunu serbest bırakın. (Şek. 16)
- Ürünün durduğundan emin olun. Motor 3 saniye içinde durmazsa motor frenini onaylı bir Husqvarna servis noktasına ayarlatın.

Başlatma engelleyiciyi kontrol etme

Motorun çalışmasını engellediğinden emin olmak için başlatma engelleyiciyi kontrol edin.

1. Motor freni kolunu gidonun yönünde itin. Başlatma engelleyici hareketi durdurur.
2. Başlatma engelleyiciyi dışarı doğru itin. (Şek. 17)
3. Başlatma engelleyiciyi serbest bırakın ve başlangıç konumuna geri döndüğünden emin olun.

Akü güvenliği



UYARI: Ürünü kullanmadan önce aşağıdaki uyarı talimatlarını okuyun.

- Yalnızca ilgili Husqvarna ürünleri için güç kaynağı olarak Husqvarna şarj edilebilir akülerini kullanın. Yaralanmayı önlemek için aküyü başka cihazların güç kaynağı olarak kullanmayın.
- Şarj edilebilir olmayan akü kullanmayın.
- Elektrik çarpması riski. Akü terminallerini anahtarlara, madeni paralara, vidalara veya diğer metallere bağlamayın. Bu, aküde kısa devreye neden olabilir.
- Akünün hava deliklerine herhangi bir nesne koymayın.
- Aküyü doğrudan güneş ışığından, ısı kaynaklarından veya açık alevden uzak tutun. Akü patlayabilir ve yanıklara ve/veya kimyasal yanıklara neden olabilir.
- Aküyü yağmurdan ve ıslak koşullardan uzak tutun.
- Aküyü mikrodalgalardan ve yüksek basınçtan uzak tutun.

- Aküyü parçalarına ayırmaya veya kırmaya çalışmayın.
- Aküde sızıntı varsa sıvının vücudunuza veya gözlerinize temas etmesine izin vermeyin. Sıvıya dokunduysanız etkilenen bölgeyi bolca suyla yıkayın ve tıbbi yardım alın.
- Üründeki aküyü yalnızca ortam sıcaklığı 5°C ile 40°C arasında olduğunda kullanın.
- Akü şarj cihazını yalnızca ortam sıcaklığı 5°C ile 40°C arasında olduğunda kullanın.
- Akü sıcaklığı 50°C'nin üzerindeyse akü şarj olmaz.
- Aküyü veya akü şarj cihazını suyla temizlemeyin. Bkz. Aküyü ve akü şarj cihazını temizleme sayfa: 420.
- Hatalı veya hasarlı aküleri kullanmayın.
- Aküleri çivi, madeni para, mücevher gibi metal nesnelere uzak bir yerde saklayın.

- kişiler tarafından kullanılabilir. Çocuklar akü şarj cihazı ile oynamamalıdır. Temizlik ve kullanıcı bakım işlemleri gözetim olmadan çocuklar tarafından gerçekleştirilmemelidir.
- Şarj edilemeyen aküleri akü şarj cihazında şarj etmeyin.
- Akü şarj cihazını, yanıcı malzemelerin veya korozyona neden olabilecek malzemelerin yakınında kullanmayın. Akü şarj cihazının üzerini kapatmayın. Duman veya ateş çıkması durumunda akü şarj cihazının fişini çekip çıkarın.
- Hatalı veya hasarlı akü şarj cihazlarını kullanmayın.
- Aküyü yalnızca kapalı alanda, iyi hava akışı olan ve güneş ışığından uzak bir odada şarj edin. Aküyü ıslak koşullarda şarj etmeyin.

Bakım için güvenlik talimatları



UYARI: Ürünü kullanmadan önce aşağıdaki uyarı talimatlarını okuyun.

Akü şarj cihazı güvenliği



UYARI: Ürünü kullanmadan önce aşağıdaki uyarı talimatlarını okuyun.

- QC akü şarj cihazlarını yalnızca Husqvarna yedek akülerini şarj etmek için kullanın.
- Elektrik çarpması veya kısa devre riski. Şarj cihazının hava deliklerine herhangi bir nesne koymayın. Akü şarj cihazını parçalarına ayırmaya çalışmayın. Şarj cihazı terminalerini metal nesnelere bağlamayın. Onaylı bir elektrik prizi kullanın.
- Bu ürün, çalışırken elektromanyetik bir alan oluşturur. Bu alan, bazı koşullarda aktif veya pasif tıbbi implantlarda girişime neden olabilir. Ciddi veya ölümcül yaralanma riskini azaltmak için tıbbi implantı olan kişilerin, bu ürünü kullanmadan önce doktorlarına ve tıbbi implant üreticilerine danışmalarını öneririz.
- Akü şarj cihazının güç kablosunun hasarlı olmadığını ve üzerinde çatlaklar bulunmadığını düzenli olarak kontrol edin.
- Akü şarj cihazını güç kablosundan tutup kaldırmayın. Akü şarj cihazını elektrik prizinden çıkarmak için fişi çekin. Güç kablosunu çekmeyin.
- Güç kablosunu ve uzatma kablolarını sudan, yağdan ve keskin kenarlı cisimlerden uzak tutun. Kabloların kapılara, çitlere veya benzeri yerlere sıkışmadığından emin olun. Bu durum şarj cihazının elektrik yüklenmesine sebep olabilir.
- Akü şarj cihazını suyla temizlemeyin.
- Akü şarj cihazı, gözetim altında tutuldukları ya da akü şarj cihazının güvenli şekilde kullanımına ilişkin talimatlar sağlandığı ve gerçekleştirilecek tehlikeler açıklandığı süreçte 8 yaş ve üzeri çocuklar ve fiziksel, duyuusal veya zihinsel yetenekleri sınırlı olan ya da yetersiz deneyim ve bilgiye sahip

- Bakım sırasında yanlışlıkla çalıştırmayı önlemek için güvenlik anahtarını 0 konumuna getirin ve aküyü çıkarın. Bakıma başlamadan önce en az 5 saniye bekleyin.
- Yalnızca bu kullanım kılavuzunda belirtilen bakım çalışmasını yapın. Bu kapsamın dışındaki işlemler ve profesyonel onarımlar, onaylı bir servis noktası tarafından yapılmalıdır. Daha fazla bilgi için size en yakın servis noktası ile görüşün.
- Ürünün ömrünü uzatmak ve kaza riskini azaltmak için bakım işini doğru şekilde yapın.
- Hasarlı, aşınmış veya bozuk parçaları değiştirin. Her zaman üreticinin orijinal yedek parçalarını kullanın. Diğer yedek parçalar üründe hasara neden olabilir ve kaza riskini artırabilir.
- Yaralanmaları önlemek için güvenlik cihazlarını çıkarmayın veya cihazların üzerinde değişiklik yapmayın.
- Kesme donanımını kullanırken ağır hizmet tipi eldiven giyin. Bıçak çok keskindir ve kolaylıkla kesiklere yol açabilir.
- En iyi ve en güvenli performans için kesme kenarlarının keskin ve temiz olmasına özen gösterin.
- Servis noktanızın düzenli olarak ürünü kontrol etmesini ve gerekli ayarları ve onarımları yapmasını sağlayın.
- Aksesuar değiştirmeye ilgili talimatlara uyun. Yalnızca üreticiden gelen aksesuarları kullanın.
- Çalışmadığı zaman ürünü, aküyü ve akü şarj cihazını ayrı olarak kuru, kapalı ve kilitleyici alanda saklayın. Çocukların ve onaylı olmayan kişilerin ürüne, aküye veya akü şarj cihazına erişemediklerinden emin olun.

Montaj

Giriş



UYARI: Ürünü monte etmeden önce, güvenlik bölümünü okuyun.



UYARI: Montaj sırasında yanlışlıkla çalıştırmayı önlemek için güvenlik anahtarını 0 konumuna getirin, aküyü çıkarın ve en az 5 saniye bekleyin.

Tutma yerini takma

1. Üst tutma yerini öne doğru katlayın.

2. Tutma yeri düğmelerini sıkın. (Şek. 18)
3. Tutma yerini, son konuma gelene kadar geriye doğru çekin.
4. Yükseklik ayarı kolunu aşağı katlayın ve oluğun içine yerleştirin. (Şek. 19)
5. Yükseklik ayarı kolunu ayağınızla aşağı doğru bastırın. (Şek. 20)

Tutma yeri yüksekliğini ayarlama

1. Ayağınızla yükseklik ayarı koluna bastırın.
2. Gidonu doğru konuma getirin ve gidonu serbest bırakın. (Şek. 21)

Çalışma

Giriş



UYARI: Ürünü kullanmadan önce güvenlik bölümünü okuyup anlamalısınız.



UYARI: Tutma yeri tamamen katlanıp uygun yükseklik konumlarından birine ayarlanmadıkça ürünü çalıştırmayın. Bkz. Tutma yeri yüksekliğini ayarlama sayfa: 417.

Husqvarna Connect

Husqvarna Connect, mobil cihazınız için ücretsiz bir uygulamadır. Husqvarna Connect uygulaması, Husqvarna ürününüz için ayrıntılı işlevler sunar:

- Ayrıntılı ürün bilgileri.
- Ürün parçaları ve servis hakkında bilgi ve yardım.

Husqvarna Connect uygulamasını kullanmaya başlamak için

1. Husqvarna Connect uygulamasını mobil cihazınıza indirin.
2. Husqvarna Connect uygulamasında kaydolun.
3. Ürünü bağlamak ve kaydetmek için Husqvarna Connect uygulamasındaki talimatları izleyin.

Ürünü çalıştırma konumuna getirme

1. Tutma yerini monte edin. Bkz. Tutma yerini takma sayfa: 417.
2. Tutma yeri yüksekliğini ayarlayın. Bkz. Tutma yeri yüksekliğini ayarlama sayfa: 417.



DİKKAT: Kabloların çok gergin olmadığından emin olun. Fazla gerginlik, tutma yeri taşıma konumuna katlandığında kablunun hasar görmesine neden olabilir.

Kesim yüksekliğini ayarlama

Kesim yüksekliği 6 farklı adımda ayarlanabilir.

1. Motoru durdurun.
2. Kesim yüksekliğini artırmak için kesim yüksekliği kolunu arkaya getirin. (Şek. 22)
3. Kesim yüksekliğini azaltmak için kesim yüksekliği kolunu öne getirin.



DİKKAT: Kesim yüksekliğini çok alçakta belirlemeyin. Bahçenin yüzeyi düz değilse bıçaklar yere çarpabilir.

Akü



UYARI: Aküyü kullanmadan önce güvenlik bölümünü okuyup anlamalısınız. Akü ve akü şarj cihazına ait kullanım kılavuzunu da okuyup anlamalısınız.

Akü ve akü şarj cihazını doğru ortam sıcaklıklarında tutun.

	Ortam sıcaklığı
Akü çalışma sıcaklığı	5°C - 40°C
Akü şarj etme sıcaklığı	5°C - 40°C

Akü durumu

Ekranında kalan akü kapasitesi ve aküyle ilgili herhangi bir sorun olup olmadığı gösterilir. Akü kapasitesi, ürün kapatıldıktan veya akü gösterge düğmesine basıldıktan sonra 5 saniye süreyle görüntülenir. Bir hata meydana geldiğinde akü üzerindeki uyarı sembolü yanar. Bkz. Akü sayfada: 421.

(Şek. 23)

LED ışıkları	Akü durumu
Tüm LED'ler yanmaktadır	Tamamen dolu (%75 - 100)
LED 1, LED 2, LED 3 yanıyor	Akü %50 - %75 dolu
LED 1, LED 2 yanıyor	Akü %25 - %50 dolu
LED 1 yanıyor	Akü %0 - %25 doludur.
LED 1 yanıp sönmektedir	Pil boştur. Aküyü şarj edin.

Aküyü şarj etme

İlk kullanımdan önce aküyü şarj edin. Akü, müşteriye tedarik edildiğinde yalnızca %30 oranında doludur.

Not: Akü şarj cihazı, nominal değerler plakasında belirtilen voltaj ve frekansa bağlanmalıdır.

Akü sıcaklığı 50°C'nin üzerindeyse akü şarj olmaz. Akü şarj cihazı, şarj işlemine başlamadan önce akünün sıcaklığını düşürür.

1. Akü şarj cihazının güç kablosunun bir ucunu akü şarj cihazının soketine bağlayın.
2. Akü şarj cihazının güç kablosunun diğer ucunu topraklamalı bir elektrik prizine bağlayın. Akü şarj cihazındaki LED bir kez yeşil renkte yanıp söner. (Şek. 24)
3. Aküyü şarj cihazına yerleştirin. Akü, akü şarj cihazına doğru şekilde bağlandığında, şarj cihazı üzerindeki yeşil ışık yanar. (Şek. 25)
4. Akü üzerindeki tüm LED'ler yandığında akü tam olarak şarj olmuştur. Aküyü en fazla 24 saat boyunca şarj edin.
5. Akü şarj cihazını elektrik prizinden çıkarmak için güç kablosunu değil fişi çekin.
6. Aküyü şarj cihazından çıkarın.

Akü şarj durumu

Husqvarna Lityum-iyon aküler, şarj seviyeleri her ne olursa olsun şarj edilebilir ve kullanılabilir. Pil bundan zarar görmez. Tam şarj olan pil şarj cihazının içinde kalsa bile şarjını kaybetmez.

LED ekran	Şarj durumu
LED 1 yanıp sönmüyor	%0-%25

LED ekran	Şarj durumu
LED 1 yanıyor, LED 2 yanıp sönmüyor	%25-%50
LED 1, LED 2 yanıyor, LED 3 yanıp sönmüyor	%50-%75
LED 1, LED 2, LED 3 yanıyor, LED 4 yanıp sönmüyor	%75-%100
LED 1, LED 2, LED 3, LED 4 yanıyor	Tamamen dolu

Ürünü çalıştırma

1. Akü kapağını açın.
2. Akü tutucusuna şarj olmuş bir akü yerleştirin.
3. Güvenlik anahtarını 1 konumuna getirin. (Şek. 26)
4. Ürünün arkasında durun.
5. Başlatma engelleyicisi gevşetin. (Şek. 17)
6. Motor fren kolunu gidonun yönünde itin. (Şek. 27)

SaveE™ işlevini kullanma

Üründe, daha uzun süre çalışma sağlayan bir akü tasarruf işlevi (SaveE™) bulunur.

- İşlevi başlatmak için SaveE™ düğmesini 1 konumuna getirin. (Şek. 28)
- İşlevi durdurmak için SaveE™ düğmesini 0 konumuna getirin.

Not: Zemin koşulları daha yüksek bir çıkış gerektirirse SaveE™ işlevi otomatik olarak durur. Zemin koşulları uygun olduğunda SaveE™ işlevi otomatik olarak tekrar çalışır.

Yüksek yük işlevi

Ürün uzun veya ıslak çimi keserken motor otomatik olarak devri yükseltir. Yüksek yük gerekmediğinde motor, standart moda geri döner.

Motor duruyor

Çalışma sırasında bıçak ve motor, kesme kapağının altındaki çimden kaynaklanan tıkanma gibi engeller nedeniyle geçici olarak durabilir. Bu durum meydana gelir ve motor fren kolunu basılı tutarsanız ürün otomatik olarak yeniden çalışır. Ürün 5-10 saniye içinde yeniden çalışmazsa kesme kapağının alt kısmını temizlemek gerekebilir. Talimatlar için bkz. Ürünün temizlenmesi sayfada: 420.



UYARI: Motor durursa ürün 5-10 saniye boyunca otomatik olarak yeniden çalışmayabilir. Kesme kapağını kontrol etmeden önce en az 15 saniye bekleyin.



UYARI: Kesme kapağını kontrol etmeden önce motor fren kolunu serbest bırakın, güvenlik anahtarını 0 konumuna getirin, aküyü çıkarın ve en az 5 saniye bekleyin. Tıkanıklık giderildiği sırada ürün yanlışlıkla çalışırsa yaralanma riski vardır.

Ürünü durdurma



UYARI: Ürünü görüş alanınızın dışında bırakmadan önce güvenlik anahtarını 0 konumuna getirin.

1. Motoru durdurmak için motor fren kolunu serbest bırakın. (Şek. 29)
2. Akü kapağını açın ve güvenlik anahtarını 0 konumuna getirin. (Şek. 30)
3. Aküyü çıkarmak için 2 serbest bırakma düğmesine basın ve aküyü çekip çıkarın. (Şek. 31)

4. Akünün gücü zayıfsa aküyü şarj edin. Daha fazla bilgi için bkz. Aküyü şarj etme sayfada: 418.

İyi sonuç alma

- Her zaman keskin bıçak kullanın. Kör bıçak, düzensiz bir sonuç verir ve çimin kesme yüzeyi sarı olur. Ayrıca keskin bıçak kör bıçaktan daha az güç kullanır.
- Çim boyunun 1/3'sinden fazlasını kesmeyin. Önce kesme yüksekliği yüksek ayardayken kesmeye başlayın. Sonucu inceleyin ve kesme yüksekliğini uygun seviyeye indirin. Çimler çok uzunsa makineyi yavaş kullanın ve gerekirse 2 kere kesin.
- Her seferinde farklı yönlerde keserek çimenlik alanda çizgi oluşmasını önleyin.
- Kesme kapağını temiz tutun. Kesme kapağının iç tarafında çim ve kir birikmesi kesme performansını zayıflatır. Bkz. Ürünün temizlenmesi sayfada: 420.

Bakım

Giriş



UYARI: Bakım yapmadan önce güvenlik bölümünü okuyup anlamanız gerekir.

Ürüne uygulanacak tüm servis ve onarım işlemleri için özel eğitim gereklidir. Profesyonel onarım ve servis hizmetlerinin mevcut bulunduğunu garanti etmekteyiz. Yetkili satıcınız servis noktası değilse kendisiyle görüşüp en yakınınızdaki servis noktası hakkında bilgi edinin.

Daha ayrıntılı bilgi için bkz. www.husqvarna.com.

Bakım takvimi

Bakım aralıkları, ürünün günlük kullanımına göre hesaplanır. Ürün her gün kullanılmıyorsa aralıklar değişir.

* İşaretili bakım için şu bölümdeki talimatlara bakın: Güvenlik sayfada: 412.

	Her kullanimda	Aylık	Her mevsimde
Genel inceleme yapın.	X		
Ürünü temizleyin.	X		
Tutma yeri yükseklik ayarı kolunun çevresindeki alanı temizleyin.	X		
Başlatma engelleyiciyi kontrol edin. *	X		
Üründeki güvenlik araçlarının hatalı olmadığından emin olun. *	X		
Kesme ekipmanını kontrol edin.	X		
Kesme kapağını kontrol edin. *	X		
Motor fren kolunu kontrol edin. *	X		
Aküde hasar olup olmadığını kontrol edin.	X		
Akü şarjını kontrol edin.	X		
Aküdeki serbest bırakma düğmelerinin doğru şekilde çalıştığından ve akünün ürüne sabitlendiğinden emin olun.	X		

	Her kulla- nımda	Aylık	Her mev- simde
Akü şarj cihazında hasar olup olmadığını kontrol edin ve cihazın doğru şekilde çalıştığından emin olun.		X	
Akü ile ürün arasındaki bağlantıları kontrol edin. Akü ile akü şarj cihazı arasındaki bağlantıyı da kontrol edin.			X

Genel denetim yapma

- Ürünün üzerindeki somun ve vidaların sıkı olduğundan emin olun.
- Üründeki kabloların hasar görebilecekleri bir konumda olmadığından emin olun.

Ürünün temizlenmesi

- Plastik parçaları temiz ve kuru bir bezle temizleyin.
- Ürünü temizlemek için su kullanmayın. Aküye veya motora su girebilir ve üründe kısa devreye veya hasara neden olabilir.
- Ürünü temizlemek için yüksek basınçlı yıkayıcı kullanmayın.
- Motora doğrudan su tutmayın.
- Yaprak, çim ve kirleri gidermek için fırça kullanın.

Aküyü ve akü şarj cihazını temizleme



UYARI: Aküyü veya akü şarj cihazını suyla temizlemeyin.



UYARI: Aküyü temizlemek için kimyasal maddeler kullanmayın.

- Aküyü akü şarj cihazına yerleştirmeden önce akünün ve akü şarj cihazının temiz ve kuru olduğundan emin olun.
- Akü terminalerini basınçlı hava ile temizleyin veya yumuşak ve kuru bir bez ile silin.
- Akü ve akü şarj cihazının yüzeylerini yumuşak ve kuru bir bezle temizleyin.

Tutma yeri yükseklik ayarı kolunun çevresindeki alanı temizleme

- Yaprak, çim ve kirleri gidermek için fırça kullanın. (Şek. 32)

Kesme donanımını kontrol etme



UYARI: Yanlışlıkla çalıştırmayı önlemek için güvenlik anahtarını 0 konumuna getirin, aküyü çıkarın ve en az 5 saniye bekleyin.



UYARI: Kesme donanımına bakım yaptığınızda koruyucu eldivenler kullanın. Bıçak çok keskindir ve kolaylıkla keskilere yol açabilir.

1. Kesme donanımında hasar veya çatlak olup olmadığını inceleyin. Hasarlı bir kesme donanımını kesinlikle değiştirin.
2. Hasarlı veya kör olup olmadığını anlamak için bıçağa bakın.

Not: Bilendikten sonra bıçağı dengelemek gerekir. Bıçağın bir servis merkezinde bilenmesini, değiştirilmesini ve dengelenmesini sağlayın. Ürünün durmasına neden olan bir engelle çarparsanız hasarlı bıçağı değiştirin. Bıçağın bilenip bilenmeyeceğini veya değiştirmek gerekip gerekmediğine servis merkezinin karar vermesini sağlayın.

Bıçağı değiştirme

Bkz. Teknik veriler sayfa: 423 bölümüne başvurun.



UYARI: Bıçağı değiştirirken parmaklarınızın yaralanmasını önlemek için bıçağı bir tahta blok ile kilitleyin. Motor kapalıyken bıçak hareket ettirilebilir ve parmaklarınız, bıçak ile sabit parçalar arasında sıkışabilir.

1. Bıçağı ahşap bir blokla kilitleyin. (Şek. 33)
2. Bıçak civatasını, yaylı rondelayı ve bıçağı çıkarın. (Şek. 34)
3. Bıçak desteğinde ve bıçak civatasında hasar olup olmadığını kontrol edin.
4. Motor milini inceleyip bükülmediğinden emin olun.
5. Yeni bıçak taktığınızda bıçağın açılı uçlarını kesme kapağı yönüne doğrultun. (Şek. 35)
6. Bıçağın, motor milinin orta kısmıyla hizalandığından emin olun.
7. Bıçağı ahşap bir blokla kilitleyin. Yaylı rondela takıp civatayı ve rondelayı 23–28 Nm'lik torkla sıkın. (Şek. 36) (Şek. 34)
8. Bıçağı elinizle çekerek döndürün ve serbestçe döndüğünden emin olun.



UYARI: Ağır hizmet tipi eldiven kullanın. Bıçak çok keskindir ve kolaylıkla kesiklere yol açabilir.

9. Bıçağı test etmek için ürünü çalıştırın. Bıçak doğru bir şekilde takılmadıysa üründe titreşim olur veya kesme işleminin sonucu başarısızdır.

Sorun giderme

Akü

Aküdeki LED	Neden	Çözüm
Yeşil LED yanıp sönüyor.	Akü voltajı düşüktür.	Aküyü şarj edin. Bkz. Aküyü şarj etme sayfada: 418.
Hata LED'i yanıp sönüyor.	Akünün gücü zayıftır.	Aküyü şarj edin. Bkz. Aküyü şarj etme sayfada: 418.
	Çalışma ortamındaki sıcaklık çok yüksek veya çok düşüktür.	Aküyü 5°C - 40°C arasındaki sıcaklıklarda kullanın.
	Yüksek voltaj.	Şebeke voltajının, ürünün nominal değerler plaka-sındakiyle aynı olduğundan emin olun. Aküyü şarj cihazından çıkarın. 5 saniye bekleyin ve aküyü şarj etmeyi tekrar deneyin. Sorun devam ederse yetkili bir servis noktasıyla görüşün.
Hata LED'i yanıyor.	Hücreler arasındaki fark çok büyük (1 V).	Onaylı bir servis noktasıyla görüşün.

Akü Şarj Cihazı

Akü şarj cihazındaki LED	Neden	Çözüm
Hata LED'i yanıp sönüyor.	Çalışma ortamındaki sıcaklık çok yüksek veya çok düşüktür.	Akü şarj cihazını 5°C - 40°C arasındaki sıcaklıklarda kullanın.
Hata LED'i yanıyor.		Onaylı bir servis noktasıyla görüşün.

Çim biçme makinesi

Uyarı göstergesi (hata LED'i) akü kapağının altında bulunur.

Sorun	Hata LED'i (yanıp sönme sayısı)	Neden	Çözüm
Hata LED'i yanıp sönüyor. Ürün düzgün çalışmıyor.	5	Bıçak tıkalı.	Yanlışlıkla çalıştırmayı önlemek için güvenlik anahtarını 0 konumuna getirin. Aküyü çıkarın ve en az 5 saniye bekleyin. Olası engelleri kaldırın ve bıçağın serbestçe dönebildiğinden emin olun. Sorun devam ederse yetkili bir servis noktasıyla görüşün.
		Motor devri çok düşüyor ve motor duruyor.	Kesim yüksekliğini artırın. Bkz. Kesim yüksekliğini ayarlama sayfada: 417.
	10	Motor denetleyicisi çok sıcak.	Motoru durdurun ve soğuyana kadar bekleyin.
Hata LED'i yanıp sönüyor. Ürün duruyor.	0	Akü konektörü arızası.	Akü konektörünü kontrol edin.
	3	Motorda aşırı yüklenme var.	Kesim yüksekliğini artırın. Bkz. Kesim yüksekliğini ayarlama sayfada: 417.
	8	Akünün gücü zayıf.	Aküyü şarj edin. Bkz. Aküyü şarj etme sayfada: 418.
	9	Akü hatası oluştu veya akü sinyali yok.	Aküyü ürüne doğru şekilde yerleştirin ve akü konektörünü kontrol edin. Aküdeki hata LED'i yanıp sönüyorsa: Bkz. Akü durumu sayfada: 418.
	12	Hatalı çalıştırma prosedürü. Motor çalışmadan önce motor fren kolu devreye alınmıştır.	Motor fren kolunu serbest bırakın ve yaklaşık 5 saniye bekleyin. Ürünü çalıştırmak için motor fren kolunu tekrar aşağı itin.
Diğer hatalar.	Başka hatalar oluşursa güvenlik anahtarını 0 konumuna getirin, aküyü çıkarın ve onaylı bir servis noktasıyla görüşün.		

Taşıma, depolama ve atma

Giriş



UYARI: Taşıma ve depolama sırasında yanlışlıkla çalışmayı önlemek için güvenlik anahtarını 0 konumuna getirin, aküyü çıkarın ve en az 5 saniye bekleyin.

Ürünü taşıma konumuna getirme

1. Yükseklik ayarı kolunu ayağınızla itin. (Şek. 37)
2. Tutma yerini yukarı çekin ve yükseklik ayar kolunu oluktan dışarı çekin.
3. Tutma yerini, son konuma ulaşana kadar ileri doğru katlayın. (Şek. 38)
4. Yükseklik ayarı kolunu kesme kapağına doğru katlayın. (Şek. 39)

5. Tutma yeri düğmelerini serbest bırakın. (Şek. 40)
6. Üst tutma yerini geriye doğru katlayın. (Şek. 41)

Taşıma

- Ürün içindeki Lityum iyon aküler Tehlikeli Maddeler Kanunu gerekliliklerine tabidir.
- Ticari amaçlı taşımalarda, paketteki ve etiketlerdeki özel gerekliliklere uyulmalıdır.
- Ürünü taşıma için hazırlarken tehlikeli malzeme yönetmeliklerine uyduğunuzdan emin olun. Yerel yönetmelikler uygulanabilir.
- Ürünü taşıırken aküyü kesinlikle çıkarın.
- Akü konektörlerine bant yapıştırmayın ve taşıma sırasında akünün hareket edemeyeceğinden emin olun.
- Taşıma sırasında ürünü bağlayın.

Saklama

- Depolamadan önce ürünün soğumasını bekleyin.
- Ürünü depolarken aküyü kesinlikle çıkarın.
- Kazaları önlemek için depolama sırasında akünün ürüne bağlı olmadığından emin olun.
- Akü şarj cihazını kapalı ve kuru bir alanda tutun.
- Aküyü ve akü şarj cihazını, nem veya don olmayan kuru bir alanda tutun.
- Depolama sırasında aküyü şarj cihazından ayırın.
- Aküyü, statik elektrik oluşabilecek yerlerde tutmayın. Aküyü metal bir kutuda tutmayın.
- Ürünü, ortam sıcaklığının -10°C ile 40°C arasında olduğu bir yerde tutun.
- Aküyü, ortam sıcaklığının 5°C ile 25°C arasında olduğu ve güneş ışığı almayan yerlerde tutun.
- Akü şarj cihazını, ortam sıcaklığının 5°C ile 45°C arasında olduğu ve güneş ışığı almayan yerlerde tutun.
- Uzun süreli depolamadan önce akünün %30 - %50 dolu olduğundan emin olun.
- Ürünü, aküyü ve akü şarj cihazını, çocukların ve onaylı olmayan kişilerin erişemeyeceği kilitli bir alanda tutun.

- Ürünü temizleyin ve çim toplama sepetinin boş olduğundan emin olun.
- Bu kullanım kılavuzunda verilen bakım prosedürlerini gerçekleştirin. Bkz. Bakım takvimi sayfa: 419.
- Ürünü uzun süre depolamadan önce ürüne eksiksiz bir bakım yapın.

Atma

Ürün veya ürün ambalajı üzerinde bulunan semboller, bu ürünün evsel atık olarak değerlendirilemeyeceğini belirtir. Elektrikli ve elektronik ekipman, kurtarma için uygun bir geri dönüşüm istasyonuna gönderilmelidir.

Bu ürüne doğru önemin verilmesini sağlayarak, çevreye ve insanlara olabilecek potansiyel negatif etkisini önlemeye yardımcı olabilirsiniz, aksi takdirde bu ürünün yanlış atık yönetimi durumunda negatif etkiler meydana gelebilir. Bu ürünün geri dönüşümü hakkında daha ayrıntılı bilgi için belediyenize, mahallenizdeki atık hizmetine veya ürünü satın aldığınız mağazaya danışın.

(Şek. 42)

Teknik veriler

	LB 144i
Kesim motoru	
Motor tipi	BLDC (fırçasız) 36 V
Motor devri – SavE, dev/dak.	2600/dak
Motor devri – Nominal, dev/dak	3200/dak
Motor devri – Yüksek yük, dev/dak	3500/dak
Motor çıkışı – maks. kW	0,9
Motor çıkışı – Nominal, kW	0,75
Tahrik motoru	
Motor çıkışı – Nominal, kW	Geçerli değil
Kendi kendine yürüme hızı, km/sa	Geçerli değil
Devir ayar seviyeleri	Geçerli değil
Ağırlık	
Ağırlık (akü olmadan), kg	15,5
Ağırlık (1 adet BLi30 ile), kg	17,5
Akü	
Akü tipi	Husqvarna Akü Serisi
Akü çalışma süresi	

	LB 144i
Bir adet Husqvarna 7,5 Ah akü (BLi30) ile birlikte SavE etkin durumdayken dakika cinsinden akü çalışma süresi (serbest çalışma).	170
Bir adet Husqvarna 7,5 Ah akü (BLi30) ile birlikte standart mod etkin durumdayken dakika cinsinden akü çalışma süresi (serbest çalışma).	135
Gürültü emisyonu ⁷⁶	
Ses gücü düzeyi, ölçülmüş dB (A)	90
Ses gücü düzeyi, garantili L _{WA} dB (A)	92
Ses düzeyleri ⁷⁷	
Operatörün kulağındaki ses basıncı düzeyi, dB (A)	77
Titreşim düzeyleri ⁷⁸	
Tutma yeri, m/sn ²	0,7
Kesme ekipmanı	
Kesim yüksekliği, mm	25-75
Kesim genişliği, cm	44
Bıçak Standardı	Mulch 5298073-10
Bıçak aksesuarı	Geçerli değil

Onaylı aküler	Tip	Akü kapasitesi, Ah	Voltaj, V	Ağırlık, lb/kg
40-B140	Lityum iyon	4,0	36	2,6/1,2
BLi30	Lityum iyon	7,5	36	4,2/1,9

Belirtilen aküler için onaylı şarj cihazları, BLi	Giriş voltajı, V	Frekans, Hz	Güç, W
40-C80	100-240	50-60	68,8
QC250	220-240	50	250

⁷⁶ 2000/14/AT sayılı AT direktifi uyarınca ses gücü (L_{WA}) olarak çevrede ölçülen gürültü emisyonu düzeyi.

⁷⁷ Ses basıncı düzeyi için bildirilen verilerde 1,5 dB (A) değerinde belirsizlik faktörü (K) mevcuttur.

⁷⁸ Titreşim düzeyleri için bildirilen verilerde 1,5 m/sn² değerinde belirsizlik faktörü (K) mevcuttur. Beyan edilen toplam titreşim değeri EN 62841-4-3 standardı, Ek I'e göre hesaplanmıştır ve bir makineyi bir diğeriyle karşılaştırmak ve maruz kalma ön değerlendirmesi yapmak için kullanılabilir.

Uyumluluk Bildirimi

AB Uyumluluk Bildirimi

Biz, Husqvarna AB, SE - 561 82 Huskvarna, İsveç, tel: +46-36-146500 olarak tek sorumlu vasfıyla ürüne ilişkin aşağıdaki beyanlarda bulunmaktayız:

Açıklama	Çim Bıçme Makinesi
Marka	Husqvarna
Tip/Model	LB 144i
Kimlik	2022 ve sonrası tarihli seri numaraları

aşağıdaki AB direktifleri ve yönetmelikleriyle tamamen uyumludur:

Düzenleme	Açıklama
2006/42/AT	"makinelere ilgili"
2014/30/AB	"elektromanyetik uyumlulukla ilgili"
2000/14/AT	"çevredeki gürültü emisyonlarıyla ilgili"
2011/65/AB	"elektrikli ve elektronik ekipmanlarda belirli tehlikeli maddelerin kullanımının kısıtlanmasıyla ilgili"

ve aşağıdaki standartlar ve/veya teknik özellikler uygulanmıştır: EN 62841-1:2015/AC:2015, EN IEC 62841-4-3:2021/A11:2021, EN ISO 12100:2010, EN 55014-1:2021, EN 55014-2:2021, EN IEC 61000-6-2:2019, EN IEC 61000-6-3:2021, EN IEC 63000:2018

Onaylanmış Kuruluş: 0404, RISE SMP Svensk Maskinprovning AB, Box 4053, SE-904 03 Umeå, Sweden 2000/14/AT konsey direktifi, uyumluluk değerlendirme prosedürü: Ek VI ile uyumluluğu belgelemiştir.

Gürültü emisyonları ile ilgili bilgi için bkz. Teknik veriler sayfada: 423.

Huskvarna, 2022-12-05



Claes Losdal, Geliştirme Müdürü/Bahçe Ürünleri
Husqvarna AB

Teknik dokümantasyon sorumlusu

Türk ithalat şirketi daha fazla bilgi için temas edilecek:

Çullas Orman Bahçe ve Tarım Mak. San. Tic. A.Ş.

Suadiye Mh. Bağdat Cd. No:455/4

Kadıköy - 34740 İstanbul / Türkiye

Telefon: +90 216 519 88 82

Faks: +90 216 519 88 78

info@cullas.com.tr



Зміст

Вступ.....	426	Усунення несправностей.....	438
Безпека.....	427	Транспортування, зберігання й утилізація.....	439
Збирання.....	433	Технічні характеристики.....	440
Експлуатація.....	433	Декларація відповідності.....	443
ТЕХНІЧНЕ ОБСЛУГОВУВАННЯ.....	436		

Вступ

Опис виробу

Це оберտальна газонокосарка для піших операторів із системою BioClip для перетворення трави на добриво.

Огляд виробу

1. Ручка/рукоятка
2. Ручка зупинення двигуна
3. Обмежувач запуску
4. Ручки для підймання
5. Різальна дека
6. Важіль регулювання висоти різання
7. Ключ безпеки
8. Кришка акумулятора
9. Регулятор висоти рукоятки
10. Кнопка Save
11. Індикатор попередження (світлодіод помилки)
12. Посібник користувача
13. Зарядний пристрій (додатковий аксесуар)
14. Акумулятор (додатковий аксесуар)

Символи на виробі

- (Мал. 2) ПОПЕРЕДЖЕННЯ
- (Мал. 3) Прочитайте інструкцію.
- (Мал. 4) ПОПЕРЕДЖЕННЯ. Остерігайтеся об'єктів, що можуть відлетіти.
- (Мал. 5) Не підпускайте сторонніх осіб.
- (Мал. 6) ПОПЕРЕДЖЕННЯ. Тримайте руки й ноги на безпечній відстані від лез, що обертаються.
- (Мал. 7) ПОПЕРЕДЖЕННЯ. Перш ніж виконувати технічне обслуговування, від'єднайте акумулятор.
- (Мал. 8) Цей виріб і його пакування не можна утилізувати разом із побутовими

Призначення

Користуйтеся виробом для зрізання трави. Забороняється використовувати виріб для інших завдань.

відходами. Утилізацію необхідно проводити на підприємстві з переробки відходів електричного й електронного обладнання.

(Мал. 9) Етикетка з інформацією щодо шумових викидів у навколишнє середовище відповідно до вимог директив і нормативних актів ЄС і Сполученого Королівства та Закону про збереження навколишнього середовища (контроль шуму) 2017 р. Нового Південного Уельсу. Гарантований рівень звукової потужності виробу вказано в розділі Технічні характеристики на сторінці 440 і на етикетці.

(Мал. 10) Це приладдя відповідає вимогам застосовних директив ЄС.

(Мал. 11) Цей виріб відповідає вимогам застосовних норм Сполученого Королівства.

(Мал. 12) Виріб має захист від потрапляння крапель.

(Мал. 13) Щоб зупинити двигун, відпустіть ручку зупинення двигуна.

(Мал. 14) Сканований код.

Зверніть увагу: Інші позначення на виробі відповідають вимогам сертифікації для певних ринків.

Відповідальність за якість продукції

Згідно із законом про відповідальність за якість продукції ми не несемо відповідальності за будь-які пошкодження, спричинені роботою наших виробів, якщо:

- виріб було неправильно відремонтовано;
- виріб було відремонтовано із використанням деталей, виготовлених не виробником або не затверджених ним;

- виріб обладнано аксесуаром, виготовленим не виробником або не затвердженим ним;
- виріб було відремонтовано в неавторизованому сервісному центрі або неавторизованою компанією;

Безпека

Визначення щодо безпеки

Попередження, застереження й примітки служать для наголошення на особливо важливих положеннях посібника.



ПОПЕРЕДЖЕННЯ: Вказує на те, що в разі порушення інструкцій, наведених у цьому посібнику, існує небезпека поранення або смерті оператора чи інших осіб, що знаходяться поруч.



УВАГА: Вказує на те, що в разі порушення інструкцій, наведених у цьому посібнику, існує небезпека пошкодження виробу, інших матеріалів або навколишніх об'єктів.

Зверніть увагу: Використовується для надання додаткової інформації щодо певної ситуації.

Загальні правила техніки безпеки для виробу



ПОПЕРЕДЖЕННЯ: Ознайомтеся з усіма попередженнями, правилами техніки безпеки, інструкціями, рисунками й технічними характеристиками до цього виробу. Недотримання наведених далі інструкцій може призвести до враження електричним струмом, пожежі та / або серйозних травм.

Збережіть усі попереджувальні знаки й інструкції для їх використання в майбутньому. Терміном «виріб» у попередженнях позначається ваш виріб, що працює від електромережі (з кабелем), або акумуляторний (безпровідний) виріб.

Безпека в робочій зоні

- Забезпечьте порядок та добре освітлення в робочій зоні. Безлад і погане освітлення сприяють нещасним випадкам.

- Не використовуйте інструмент у вибухонебезпечному середовищі, наприклад поблизу легкозаймистих рідин, газів або пилу. Виріб утворює іскри, від яких можуть зайнятися пил чи випари.
- Не підпускайте до себе дітей і сторонніх осіб, коли працюєте з виробом. Ви можете відволіктися та втратити контроль.

Електробезпека

- Вилки виробу мають підходити до розетки. У жодному разі не змінюйте вилку будь-яким чином. Під час роботи із заземленими виробами не використовуйте жодних перехідників. Вилки оригінальної конструкції та відповідні за типом розетки зменшують ризик ураження електричним струмом.
- Уникайте тілесного контакту із заземленими поверхнями, такими як труби, радіатори, кухонні плити й холодильники. Існує підвищений ризик ураження електричним струмом, якщо ваше тіло заземлене.
- Не тримайте виріб під дощем або у вологих умовах. Потрапляння води у виріб підвищує ризик ураження електричним струмом.
- Використовуйте кабель лише за призначенням. За жодних умов не використовуйте кабель для перенесення чи перетягування виробу й не тягніть за нього, щоб вийняти вилку з розетки. Тримайте кабель подалі від джерела тепла, мастила, гострих країв або рухомих деталей. Пошкоджені чи заплутані кабелі збільшують ризик ураження електричним струмом.
- Під час експлуатації виробу надворі використовуйте подовжувальний кабель, що підходить для застосування надворі. Використання кабелю, який підходить для застосування надворі, знижує ризик ураження електричним струмом.
- Якщо застосування виробу у вологому середовищі неможливо уникнути, використовуйте джерело живлення, обладнане пристроєм захисного відключення (ПЗВ). Використання ПЗВ знижує ризик ураження електричним струмом.

Особиста безпека

- Будьте пильними, слідкуйте за тим, що робите, і дотримуйтеся здорового глузду під час експлуатації виробу. Не використовуйте виріб, коли ви втомлені або перебуваєте під впливом наркотиків, алкоголю чи лікарських засобів. Утрата уваги на мить під час експлуатації виробу може призвести до серйозної травми.
- Використовуйте засоби індивідуального захисту. Обов'язково необхідно користуватися засобами захисту для очей. Захисне спорядження, наприклад респіратор, черевики з нековзною підшоною, каска або захисні навушники за використання у відповідних умовах зменшують ризик травмування.
- Запобігайте випадковому запуску. Переконайтеся, що вимикач перебуває у вимкненому положенні, перш ніж підключати виріб до джерела живлення чи акумуляторної батареї, піднімати або переносити його. Небезпечно переносити виріб, тримаючи палець на перемикачі, або заряджати його, коли перемикач установлено в положення ввімкнення, оскільки це може призвести до нещасних випадків.
- Перед увімкненням виробу приберіть будь-які регульовальні або гайкові ключі. Якщо залишити на деталі виробу, яка обертається, регульовальний або гайковий ключ, це може призвести до травмування.
- Не тягніть. Завжди дотримуйтесь правильної дистанції і балансування. Це дасть змогу краще контролювати виріб у несподіваних ситуаціях.
- Одягайтеся правильно. Не вдягайте просторий широкий одяг, не надягайте на себе ювелірні вироби. Тримайте волосся й одяг подалі від рухомих частин. Просторий широкий одяг, ювелірні вироби або довге волосся можуть потрапити в рухомі деталі.
- У разі наявності обладнання з видалення й збору пилу переконайтеся в тому, що воно під'єднано та використовується правильно. Використання обладнання для збору пилу зменшує ризики, пов'язані з пилом.
- Досвід роботи, набутий упродовж регулярного використання цього виробу, не є підставою для небалого експлуатації виробу й нехтування технікою безпеки. Необережні дії можуть миттєво призвести до тяжких травм.

Експлуатація виробу та догляд за ним

- Не докладайте силу до виробу. Використовуйте виріб, що підходить для ваших потреб. Виріб краще, безпечніше й швидше виконає ту роботу, для якої він призначений.
- Не використовуйте виріб, якщо вимикач не працює. Будь-який виріб, яким неможливо керувати за допомогою вимикача, є небезпечним і підлягає ремонту.

- Коли ви збираєтеся виконувати будь-які налаштування, замінювати приладдя або залишати виріб на зберігання, спочатку витягніть штекер із розетки живлення чи змінний акумуляторний блок із виробу. Такі запобіжні заходи зменшують ризик ненавмисного запуску виробу.
- Вимкнені вироби зберігайте в недоступному для дітей місці й не дозволяйте користуватися ними особам, які не ознайомилися з порядком використання виробу або цією інструкцією. Вироби становлять небезпеку в руках невідготовлених користувачів.
- Виконуйте технічне обслуговування виробів і приладдя. Перевіряйте виріб на предмет зміщення чи вигину рухомих деталей, поломок деталей і будь-якого іншого стану, що може негативно позначитися на роботі виробу. У разі пошкодження відремонтуйте виріб, перш ніж користуватися ним. Багато нещасних випадків виникають унаслідок недостатнього технічного обслуговування виробів.
- Підтримуйте різальні елементи в нагостреному та чистому стані. Різальні елементи, що добре обслуговуються та мають гострі різальні кромки, будуть легше керуватися та з меншою імовірністю будуть заклинати.
- Використовуйте виріб, приладдя й біти відповідно до цієї інструкції, урахувавши умови та характер роботи, яку потрібно виконати. Використання виробу для виконання непередбачених операцій може призвести до небезпечної ситуації.
- Рукоятки та поверхні для тримання мають бути сухими, чистими й знежиреними. Утримування виробу за слизькі рукоятки чи інші поверхні для тримання є порушенням правил техніки безпеки й заважає керувати виробом у непередбачених ситуаціях.

Використання інструментів з акумуляторною батареєю та догляд за ними

- Зарядку батареї слід здійснювати виключно за допомогою зарядного пристрою, зазначеного виробником. Використання зарядного пристрою, призначеного для роботи з батареями одного типу, з батареями іншого типу може спричинити пожежу.
- Використовуйте пристрої лише із сумісними акумуляторними блоками. Використання акумуляторних батарей інших типів може призвести до травмування чи пожежі.
- Якщо акумуляторний блок не використовується, слід тримати його подалі від металевих предметів, таких як скріпки, монети, ключі, цвяхи, гвинти й інші дрібні металеві предмети, які можуть з'єднати один контакт батареї з іншим. Замикання контактів акумулятора може призвести до опіків або пожежі.

- У разі неправильного застосування з акумулятора може випліскуватися рідина; уникайте контакту з нею. При випадковому контакті промийте місце контакту водою. В разі потрапляння рідини в очі на додаток до їхнього інтенсивного промивання зверніться по медичну допомогу. Рідина з акумуляторної батареї може викликати подразнення та опіки.
- Не використовуйте пошкоджені чи змінений акумуляторний блок або інструмент. Із пошкодженими чи виводоміненними батареями може статися непередбачуване: вони можуть зайнятися, вибухнути або створити інший ризик травмування оператора.
- Захищайте акумуляторний блок та інструмент від вогню й надмірних температур. Під впливом вогню або температури понад 130 °C (265°F) може статися вибух.
- Дотримуйтеся всіх інструкцій із заряджання й не заряджайте акумуляторний блок чи інструмент поза межами діапазону температур, зазначеного в інструкціях. Неналежне заряджання за температури поза межами зазначеного діапазону може пошкодити акумулятор і підвищує ризик займання.

Служба

- Сервісне обслуговування виробу має виконувати кваліфікований майстер за використання лише ідентичних запасних частин. Це гарантуватиме підтримання безпечної роботи виробу.
- За жодних умов не виконуйте технічного обслуговування пошкоджених акумуляторних блоків. Технічне обслуговування акумуляторних блоків має виконуватися лише виробником або вповноваженим постачальником послуг.

Попередження щодо техніки безпеки під час роботи з газонокосаркою

- Не використовуйте газонокосарку за несприятливих погодних умов, особливо якщо є ризик удару блискавки. Недотримання цієї вимоги підвищує ризик ураження блискавкою.
- Ретельно огляньте ділянку, де використовуватиметься газонокосарка, на наявність будь-якої живності. Під час використання газонокосарки ви можете завдати шкоди тваринам.
- Ретельно перевірте ділянку, де використовуватиметься газонокосарка, і приберіть каміння, палиці, проводи, кістки й інші сторонні предмети. Предмети, що розлітаються, можуть спричинити тяжкі травми.
- Перед використанням завжди здійснюйте огляд, перевіряючи лезо та його вузол для виявлення ознак зношування чи пошкодження. Зношені й пошкоджені деталі підвищують ризик травмування.
- Достатньо часто перевіряйте травозбірник на наявність ознак зношення чи псування.

Пошкоджений чи зношений травозбірник може спричинити травмування.

- Захист має бути на своєму місці. Захист має бути справним і правильно встановленим. Погано закріплений, пошкоджений або несправний захист може призвести до травмування.
- Не допускайте засмічення вентиляційних отворів. Заблоковані вентиляційні отвори та сміття можуть призвести до перегрівання або пожежі.
- Під час роботи з газонокосаркою завжди використовуйте захисне взуття, яке не ковзає. Не використовуйте газонокосарку босоніж або у відкритому взутті. Таким чином ви знизите ризик травмування ніг унаслідок контакту з рухомих лезом.
- Під час використання газонокосарки завжди надягайте довгі штани. Предмети, які відлітають, можуть пошкодити відкриті ділянки шкіри.
- Не використовуйте газонокосарку на вологій траві. Пересувайтеся повільно, ніколи не біжіть. Це зменшує ризик ковзання й падіння, які можуть призвести до травмування.
- Не використовуйте газонокосарку на надмірно крутих схилах. Це зменшує ризик утрати керування, ковзання й падіння, які можуть призвести до травмування.
- Під час роботи на схилах завжди впевнено стійте на ногах, косіть поперек схилів і ніколи не косіть угору або вниз та будьте надзвичайно обережними під час зміни напрямку. Це зменшує ризик утрати керування, ковзання й падіння, які можуть призвести до травмування.
- Будьте вкрай обережними, коли розвертаєте або рухаєте газонокосарку в напрямку до себе. Завжди стежте за тим, що відбувається навколо. Це дасть змогу зменшити ризик спотикання під час роботи.
- Не торкайтеся лез чи інших небезпечних деталей, поки вони рухаються. Це дасть змогу зменшити ризик травмування рухомих деталями.
- Під час видалення застряглих обрізків або чищення газонокосарки всі вимикачі електроживлення повинні перебувати у вимкненому положенні, а кабель живлення має бути від'єднаним. Неочікуваний запуск газонокосарки може призвести до тяжкого травмування.

Пристрій захисного вимкнення

- Використовуйте пристрій захисного вимкнення із струмом вимкнення щонайбільше 30 МА.

Загальні правила техніки безпеки



ПОПЕРЕДЖЕННЯ: Перш ніж розпочати використання виробу, уважно прочитайте наведені нижче попередження.

- Цей виріб може бути небезпечним у разі неправильного або недбалого використання. Порушення правил техніки безпеки може призвести до травм або смерті.
- Під час роботи цього виробу утворюється електромагнітне поле. Це поле може за деяких умов взаємодіяти з активними чи пасивними медичними імплантатами. Щоб зменшити ризик тяжких або смертельних травм, рекомендуємо особам із медичними імплантатами проконсультуватися зі своїм лікарем і виробником медичного імплантату перед початком експлуатації цього виробу.
- Завжди будьте обережні й керуйтеся здоровим глуздом. Якщо ви маєте сумніви щодо того, як користуватися виробом у конкретній ситуації, припиніть роботу та проконсультуйтеся з дилером Husqvarna.
- Пам'ятайте, що оператор несе відповідальність за нещасні випадки, в результаті яких постраждали інші особи або їхнє майно.
- Тримайте виріб у чистоті. Переконайтеся, що знаки та наклейки знаходяться в читабельному стані.
- У жодному разі не дозволяйте користуватися приладом дітям або людям, які не ознайомилися з цим посібником. Вік оператора може обмежуватися місцевими нормами.
- Завжди наглядайте за особами з обмеженими фізичними чи розумовими можливостями, що використовують виріб. Біля виробу, що працює, має завжди перебувати відповідальна доросла особа.
- Забороняється використовувати виріб, якщо ви втомлені, хворі, чи перебуваєте під впливом наркотиків, алкоголю або медикаментів. Ці фактори мають негативний вплив на ваш зір, зосередженість, свідомість та координацію рухів.
- Забороняється використовувати виріб у разі його несправності.
- Забороняється зміни в конструкцію виробу чи використовувати виріб, якщо є підозра, що його було змінено сторонніми особами.
- Не використовуйте виріб під дощем або в умовах підвищеної вологості. Потрапляння води у виріб збільшує загрозу ураження електричним струмом.
- Забороняється використовувати виріб без правильно встановленого леза та всіх кожухів. Неправильно встановлене лезо може від'єднатися і призвести до травм.
- Слідкуйте, щоб лезо не зачіпляло сторонні предмети на кшталт каміння та коріння. Це може призвести до пошкодження леза та згинання вала двигуна. Зігнута вісь викликає значні вібрації та призводить до ризику від'єднання леза від виробу.
- У разі удару леза об будь-який сторонній предмет чи появи вібрації негайно зупиніть виріб. Зупиніть двигун, переведіть запобіжник у положення «0» і вийміть акумулятор. Зачекайте, доки рухомі деталі зупиняться. Перевіряйте виріб на наявність пошкоджень. Надійно закріпіть деталі, що розхиталися. Відремонтуйте пошкодження й замініть пошкоджені деталі. Доручайте ремонт авторизованому центру обслуговування.
- Забороняється закріплювати ручку зупинення двигуна на рукоятці, коли працює двигун.
- Поставте виріб на тверду рівну поверхню й увімкніть його. При цьому лезо не повинно торкатися землі або інших предметів.
- Під час роботи з виробом завжди залишайтеся позаду нього.
- Під час роботи з виробом всі колеса мають залишатися на землі, а обидві руки треба тримати на ручці. Тримайте руки й ноги на безпечній відстані від лез, що обертаються.
- Не нахиляйте виріб під час запуску двигуна чи використання.
- Будьте обережні під час руху у зворотному напрямку.
- Забороняється піднімати виріб, коли двигун увімкнений. Якщо треба підняти виріб, спочатку зупиніть двигун, переведіть запобіжник у положення «0» і вийміть акумулятор.
- Не рухайтесь у зворотному напрямку під час роботи з виробом.
- Коли потрібно нахилити виріб для перенесення або перед його переміщенням ділянкою без трави, як-от асфальтом чи бруцаткою, вимикайте двигун.
- Не бігайте з виробом, коли двигун увімкнений. Під час роботи з виробом необхідно ходити зі звичайною швидкістю.
- Вимикайте двигун, перш ніж змінювати висоту різання. Забороняється виконувати регулювання при ввімкненому двигуні.
- Забороняється залишати виріб без нагляду коли двигун працює. Зупиніть двигун та переконайтеся, що ріжуче обладнання не обертається.
- Рівень вібрації виробу під час роботи може відрізнятись від заявленого в розділі Технічні

Техніка безпеки



ПОПЕРЕДЖЕННЯ: Перш ніж розпочати використання виробу, уважно прочитайте наведені нижче попередження.

- Використовуйте виріб лише для скошування трав'яних газонів. Заборонено використовувати виріб для інших цілей.
- Використовуйте засоби індивідуального захисту. Див. Засоби індивідуального захисту на сторінці 431.
- Дізнайтеся, як швидко зупинити двигун в екстреній ситуації.

характеристики на сторінці 440. Відмінність зумовлена різними умовами використання виробу. Якщо ви використовуєте виріб часто або впродовж довгого часу, регулярно робіть перерви, щоб уникнути травмування внаслідок вібрації.

Правила техніки безпеки під час використання

Засоби індивідуального захисту



ПОПЕРЕДЖЕННЯ: Перш ніж розпочати використання виробу, уважно прочитайте наведені нижче попередження.

- Засоби індивідуального захисту не можуть повністю усунути небезпеку травмування, але в разі нещасного випадку знизять ступінь тяжкості травми. Дозвольте дилеру допомогти вам із вибором підходящого обладнання.
- Використовуйте взуття із захистом від ковзання для роботи у важких умовах. Забороняється використовувати відкрите взуття або працювати взагалі без нього.
- Використовуйте цупкі довгі штани.
- За потреби використовуйте рукавички, наприклад, якщо необхідно приєднати, оглянути або почистити різальне обладнання.
- Рекомендуємо використовувати засоби захисту органів слуху.

Запобіжне обладнання на виробі



ПОПЕРЕДЖЕННЯ: Перш ніж розпочати використання виробу, уважно прочитайте наведені нижче попередження.

- Не використовуйте виріб із пошкодженими захисними пристроями.
- Не демонтуйте захисні пристрої та не вносьте в їх конструкцію зміни.
- Регулярно перевіряйте захисні пристрої. У випадку пошкодження захисних пристроїв зверніться до центру обслуговування Husqvarna.

Перевірка кожуха леза

Кожух леза частково поглинає вібрацію виробу та знижує небезпеку травмування лезом.

- Огляньте кожух леза та переконайтеся, що він не має пошкоджень на кшталт тріщин.

Перевірка ключа безпеки

Ключ безпеки знаходиться під кришкою акумуляторного відсіку. Ключ безпеки під'єднує акумулятор, який у свою чергу живить двигун.

- Для перевірки ключа безпеки запустіть і зупиніть двигун.
- Якщо ключ безпеки справний, двигун заводиться, лише якщо повернути ключ у положення «1». (Мал. 15)

Перевірка ручки зупинення двигуна

Ручка зупинення двигуна зупиняє двигун. За відпускання ручки зупинення двигуна він зупиняється.

- Запустіть виріб. Див. Запуск виробу на сторінці 435.
- Відпустіть ручку зупинення двигуна. (Мал. 16)
- Переконайтеся, що виріб зупиняється. Якщо двигун не зупиняється протягом 3 секунд, необхідно передати виріб в авторизований центр обслуговування Husqvarna для налаштування гальма двигуна.

Перевірка обмежувача запуску

Перевірте обмежувач запуску, щоб переконаватися, що він дійсно блокує роботу двигуна.

1. Перемістіть ручку зупинення двигуна в напрямку рукоятки. Обмежувач запуску блокує рух.
2. Потягніть обмежувач запуску. (Мал. 17)
3. Відпустіть обмежувач запуску та переконайтеся, що він повертається до початкового положення.

Заходи безпеки під час роботи з акумуляторами



ПОПЕРЕДЖЕННЯ: Перш ніж розпочати використання виробу, уважно прочитайте наведені нижче попередження.

- Для живлення виробів Husqvarna необхідно використовувати лише акумулятори Husqvarna. Щоб уникнути травмування, заборонено використовувати акумулятор в якості джерела живлення для інших приладів.
- Не використовуйте одноразові батареї.
- Небезпека ураження електричним струмом. Забороняється під'єднувати клеми акумулятора до ключів, монет, гвинтів або інших металевих предметів. Це може призвести до короткого замикання в акумуляторі.
- Заборонено вставляти предмети у вентиляційні отвори акумулятора.
- Тримайте акумулятор подалі від прямих сонячних променів, джерел тепла й відкритого вогню. Акумулятор може вибухнути, що призведе до опіків та / або хімічних опіків.
- Бережіть акумулятор від дощу та вологи.
- Захищайте акумулятор від впливу мікрохвиль чи високого тиску.
- Заборонено розбирати чи ламати акумулятор.

- У разі витікання рідини з акумулятора слідкуйте, щоб вона не потрапила на тіло чи в очі. Якщо рідина потрапила на шкіру, промийте вражену ділянку великою кількістю води та зверніться за медичною допомогою.
- Використовуйте акумулятор виробу лише за температури навколишнього середовища від 5 °C до 40 °C.
- Використовуйте зарядний пристрій акумулятора лише за температури навколишнього середовища від 5 °C до 40 °C.
- Акумулятор не заряджатиметься, якщо його температура перевищує 50 °C.
- Заборонено мити батарею чи зарядний пристрій водою. Див. Чищення акумулятора й заряджального пристрою на сторінці 437.
- Не використовуйте несправний чи пошкоджений акумулятор.
- Зберігайте акумулятор подалі від металевих предметів на кшталт цвяхів, монет, ювелірних виробів.

Заходи безпеки під час роботи із зарядним пристроєм



ПОПЕРЕДЖЕННЯ: Перш ніж розпочати використання виробу, уважно прочитайте наведені нижче попередження.

- Для заряджання замінних акумуляторів Husqvarna необхідно використовувати лише зарядні пристрої QC.
- Ризик короткого замикання й ураження електричним струмом. Забороняється вставляти предмети у вентиляційні отвори зарядного пристрою. Заборонено розбирати зарядний пристрій. Не торкайтеся металевих предметів контактами зарядного пристрою. Використовуйте сертифіковані електричні розетки.
- Під час роботи цього виробу утворюється електромагнітне поле. Це поле може за деяких умов взаємодіяти з активними чи пасивними медичними імплантатами. Щоб зменшити ризик тяжких або смертельних травм, рекомендуємо особам із медичними імплантатами проконсультуватися зі своїм лікарем і виробником медичного імплантату перед початком експлуатації цього виробу.
- Регулярно перевіряйте шнур живлення зарядного пристрою на предмет пошкоджень та тріщин.
- Заборонено підіймати зарядний пристрій, тримаючи його за шнур живлення. Щоб від'єднати зарядний пристрій від настінної розетки, витягніть штепсельну вилку. У жодному разі не тягніть за шнур живлення.
- Тримайте шнур живлення та подовжувачі на безпечній відстані від води, мастил і гострих предметів. Переконайтеся, що кабель

не здавлено дверима, огорожено або іншими предметами. У такому випадку зарядний пристрій може опинитися під напругою.

- Заборонено мити зарядний пристрій водою.
- Діти віком від 8 років та особи з обмеженими фізичними, сенсорними або психічними можливостями або особи, які не мають досвіду та знань, можуть використовувати зарядний пристрій лише під наглядом або після належного інструктажу щодо безпечного його використання, за умови розуміння ними пов'язаних із таким використанням ризиків. Дітям забороняється грати із зарядним пристроєм. Дітям забороняється виконувати чищення та обслуговування без нагляду.
- Не намагайтеся заряджати одноразові батареї за допомогою зарядного пристрою.
- Заборонено використовувати зарядний пристрій поблизу легкозаймистих або корозійних матеріалів. Заборонено накривати зарядний пристрій. При появі диму чи вогню витягніть штепсель зарядного пристрою з розетки.
- Не використовуйте зарядний пристрій із ознаками пошкодження.
- Заряджати акумулятор слід тільки в добре провітрюваних приміщеннях та подалі від сонячного світла. Не заряджайте акумулятор у вологому середовищі.

Правила техніки безпеки під час обслуговування



ПОПЕРЕДЖЕННЯ: Перш ніж розпочати використання виробу, уважно прочитайте наведені нижче попередження.

- Для запобігання ненавмисному запуску двигуна під час обслуговування переведіть ключ безпеки в положення «0» та вийміть акумулятор. Перед початком обслуговування зачекайте щонайменше 5 секунд.
- Виконуйте лише те технічне обслуговування, що наведене в цьому посібнику користувача. Більш серйозні роботи й професійний ремонт повинні виконуватися співробітниками авторизованих центрів обслуговування. Більш детальну інформацію можна дізнатися в найближчому центрі обслуговування.
- Виконуйте технічне обслуговування правильно, адже це допоможе збільшити термін експлуатації виробу та зменшить небезпеку виникнення нещасних випадків.
- Замінюйте технічне пошкоджені, зношені або зламані деталі. Завжди використовуйте лише оригінальні запасні частини виробника. Інші запасні частини можуть пошкодити виріб і підвищити ризик нещасних випадків.

- Щоб запобігти травмуванню, не знімайте захисні пристрої та не змінюйте їх конструкцію.
- Під час роботи з різальним обладнанням завжди надягайте міцні рукавиці. Лезо дуже гостре, ним можна легко порізатися.
- Для найкращої продуктивності та безпеки слід підтримувати різальні кромки гострими та чистими.
- Регулярно віддавайте виріб у центр обслуговування, де його будуть перевіряти, робити необхідні налаштування або ремонт.
- Дотримуйтеся інструкцій щодо заміни аксесуарів. Користуйтеся аксесуарами лише від виробника обладнання.
- Коли виріб не використовується, зберігайте його окремо від акумулятора та зарядного пристрою в сухому закритому приміщенні. Переконайтеся, що діти та особи без належної підготовки не зможуть отримати доступ до виробу, акумулятора чи зарядного пристрою.

Збирання

Вступ



ПОПЕРЕДЖЕННЯ: Перед монтажем виробу необхідно прочитати розділ про заходи безпеки.



ПОПЕРЕДЖЕННЯ: Щоб запобігти випадковому ввімкненню виробу під час збирання, поверніть ключ безпеки в положення «0», вийміть акумуляторну батарею та почекайте принаймні 5 секунд.

2. Затягніть фіксувальні головки ручки. (Мал. 18)
3. Відтягуйте ручку назад до упору.
4. Опустіть регулятор висоти й вставте його в паз. (Мал. 19)
5. Натисніть ногою на регулятор висоти. (Мал. 20)

Налаштування висоти ручки

1. Втисніть ногою регулятор висоти.
2. Переведіть рукоятку в потрібне положення, а потім відпустіть її. (Мал. 21)

Монтаж ручки

1. Розкладіть верхню ручку вперед.

Експлуатація

Вступ



ПОПЕРЕДЖЕННЯ: Перед експлуатацією виробу обов'язково прочитайте й усвідомте зміст розділу про заходи безпеки.

Husqvarna Connect

Husqvarna Connect є безкоштовною програмою для мобільного пристрою. У програмі Husqvarna Connect доступна ціла низка розширених функцій для користування Husqvarna:

- розширена інформація про виріб;
- відомості про деталі й обслуговування виробу, а також довідкова інформація.

Щоб почати користуватися Husqvarna Connect

1. Завантажте програму Husqvarna Connect на свій мобільний пристрій.
2. Зареєструйтеся в програмі Husqvarna Connect.

3. Виконайте кроки з реєстрації в програмі Husqvarna Connect, щоб під'єднати та зареєструвати виріб.

Установлення виробу в положення для експлуатавання

1. Монтаж ручки. Дивіться розділ Монтаж ручки на сторінці 433.
2. Відрегулюйте висоту ручки. Дивіться розділ Налаштування висоти ручки на сторінці 433.



УВАГА: Переконайтеся, що кабелі натягнуто не занадто. Надмірне натягнення може призвести до пошкодження кабелю під час складання ручки в положення для транспортування.



ПОПЕРЕДЖЕННЯ: Не використовуйте виріб, якщо ручка не складена повністю та не встановлена в одне з відповідних положень висоти. Дивіться розділ Налаштування висоти ручки на сторінці 433.

Налаштування висоти різання

Можна встановити шість різних рівнів висоти різання.

1. Зупиніть двигун.
2. Щоб збільшити висоту різання, потягніть важіль регулювання висоти різання назад. (Мал. 22)
3. Щоб зменшити висоту різання, потягніть важіль регулювання висоти різання вперед.



УВАГА: Не встановлюйте замалу висоту різання. Леза можуть зачепити землю, якщо поверхня газону буде нерівною.

Акумулятор



ПОПЕРЕДЖЕННЯ: Перед використанням акумулятора обов'язково прочитайте й усвідомте зміст розділу про заходи безпеки. Також необхідно прочитати й усвідомити зміст посібника користувача для акумулятора та зарядного пристрою.

Дотримуйтеся вимог щодо температури навколишнього середовища для акумулятора й зарядного пристрою.

	Температура навколишнього середовища
Використання акумулятора	5–40 °C
Зарядження акумулятора	5–40 °C

Стан акумулятора

На дисплеї відображаються поточний стан заряду акумулятора та можливі проблеми під час його роботи. Поточний стан заряду акумулятора відображається протягом 5 секунд після вимкнення виробу або натискання індикаторної кнопки акумулятора. У разі виникнення будь-якої помилки на дисплеї акумулятора з'являється попереджувальний символ. Див. Акумулятор на сторінці 438.

(Мал. 23)

Світлодіодні індикатори	Стан акумулятора
Горять усі світлодіодні індикатори	Акумулятор заряджений повністю (75-100 %)
Горять світлодіодні індикатори 1, 2 та 3	Акумулятор заряджений на 50 - 75 %.
Горять світлодіодні індикатори 1 та 2	Акумулятор заряджений на 25 - 50 %.

Світлодіодні індикатори	Стан акумулятора
Горить світлодіодний індикатор 1	Акумулятор заряджений на 0 - 25 %
Блимає світлодіодний індикатор 1	Акумулятор розряджений. Зарядіть акумулятор.

Зарядка акумулятора

Перед першим використанням акумулятор слід зарядити. Акумулятор постачається зарядженим лише на 30 % ємності.

Зверніть увагу: Зарядний пристрій слід під'єднувати лише до джерел електроживлення з напругою та частотою, вказаними на таблиці з паспортними даними.

Акумулятор не заряджається, якщо його температура перевищує 50°C. Перед початком зарядження зарядний пристрій зменшує температуру акумулятора.

1. Під'єднайте один кінець шнура живлення зарядного пристрою до його роз'єму.
2. Під'єднайте інший кінець шнура живлення зарядного пристрою до електричної розетки із заземленням. Світлодіод зарядного пристрою блимне один раз зеленим кольором. (Мал. 24)
3. Встановіть акумулятор у зарядний пристрій. Якщо акумулятор підключено правильно, на зарядному пристрої загоряється зелений індикатор. (Мал. 25)
4. Якщо загоряються всі світлодіодні індикатори, це означає, що акумулятор повністю заряджений. Тривалість зарядження акумулятора не повинна перевищувати 24 години.
5. Щоб від'єднати зарядний пристрій із розетки, тримайтеся тільки за штепсель, не тягніть за шнур.
6. Вийміть акумулятор із зарядного пристрою.

Стан зарядження акумулятора

Літій-іонні акумулятори Husqvarna можна заряджати за будь-якого рівня зарядки. Акумулятор не буде пошкоджено. Повністю заряджена акумуляторна батарея не втрачає заряд, якщо її навіть залишити в зарядному пристрої.

Світлодіодний дисплей	Стан зарядки
Блимає світлодіодний індикатор 1	0-25 %
Горить світлодіодний індикатор 1, блимає світлодіодний індикатор 2	25-50 %

Світлодіодний дисплей	Стан зарядки
Горять світлодіодні індикатори 1, 2, блимає світлодіодний індикатор 3	50-75 %
Горять світлодіодні індикатори 1, 2, 3, блимає світлодіодний індикатор 4	75-100 %
Горять світлодіодні індикатори 1, 2, 3, 4	Заряджено повністю

Запуск виробу

1. Відкрийте кришку акумуляторного відсіку.
2. Уставте заряджений акумулятор у тримач акумулятора.
3. Поверніть ключ безпеки в положення «1». (Мал. 26)
4. Залишайтеся позаду виробу.
5. Відпустіть обмежувач запуску. (Мал. 17)
6. Перемістіть ручку зупинення двигуна в напрямку рукоятки. (Мал. 27)

Використання функції SaveE™

Виріб оснащений функцією збереження заряду акумулятора (SaveE™), що дозволяє подовжити час використання.

- Для вимкнення функції встановіть перемикач SaveE™ у положення «1». (Мал. 28)
- Для вимкнення функції встановіть перемикач SaveE™ у положення «0».

Зверніть увагу: Функція SaveE™ вмикається автоматично, якщо через стан поверхні потрібна більша потужність. Коли стан поверхні дозволяє, функція SaveE™ знову вмикається автоматично.

Функція підвищеної потужності

Якщо виріб використовується для зрізання довгої чи вологої трави, двигун автоматично збільшує оберти. Коли необхідність у підвищеній потужності зникає, двигун повертається до роботи в стандартному режимі.

Стопоріння двигуна

Під час роботи лезо та двигун можуть тимчасово зупинитися, якщо під кожухом леза є засмічення на кшталт скупчень трави. Якщо це сталося й ви втримуете ручку гальма двигуна в натиснутому положенні, виріб здійснить автоматичний перезапуск. Якщо виріб не перезапустився за 5–10 секунд, може

знадобитися почистити дно кожуха леза. Дивіться розділ Чистення виробу на сторінці 436.



ПОПЕРЕДЖЕННЯ: Якщо двигун зупиняється, виріб здійсніть спробу повторного автоматичного запуску протягом 5–10 секунд. Перш ніж перевіряти кожух леза, зачекайте щонайменше 15 секунд.



ПОПЕРЕДЖЕННЯ: Перед перевіркою кожуха леза відпустіть ручку гальма двигуна, переведіть ключ безпеки в положення «0», вийміть акумулятор і зачекайте щонайменше 5 секунд. Існує ризик того, що після усунення засмічення виріб раптово запуститься та травмує оператора.

Вимкнення виробу



ПОПЕРЕДЖЕННЯ: Залишаючи виріб без нагляду, повертайте ключ безпеки в положення «0».

1. Для зупинення двигуна відпустіть ручку зупинення двигуна. (Мал. 29)
2. Відкрийте кришку акумуляторного відсіку та поверніть ключ безпеки в положення «0». (Мал. 30)
3. Щоб вийняти акумулятор, натисніть дві кнопки фіксатора й витягніть його. (Мал. 31)
4. Якщо рівень заряду акумулятора низький, зарядіть його. Для отримання більш детальної інформації див. Зарядка акумулятора на сторінці 434.

Забезпечення ефективної роботи

- Завжди користуйтеся гострим лезом. Тупе лезо ріже нерівно, а трава на поверхні розрізу жовтіє. Крім того, гостре лезо споживає менше енергії за тупе.
- Не скошуйте більше ½ довжини трави. Спочатку треба виконувати скошування з великою висотою різання. Оцініть результат і зменште висоту зрізання на потрібну вам. Якщо трава дуже довга, ведіть газонокосарку повільно і виконайте скошування двічі, якщо це необхідно.
- Косіть щоразу в різних напрямках, щоб на газоні не було смуг.
- Тримайте кожух леза в чистоті. Скупчення трави й бруду на внутрішньому боці кожуха леза може негативно вплинути на результат роботи. Див. Чистення виробу на сторінці 436.

ТЕХНІЧНЕ ОБСЛУГОВУВАННЯ

Вступ



ПОПЕРЕДЖЕННЯ: Перед виконанням робіт із технічного обслуговування обов'язково прочитайте й усвідомте зміст розділу про заходи безпеки.

Для отримання більш детальної інформації див. www.husqvarna.com.

Графік технічного обслуговування

Інтервали технічного обслуговування зазначено з урахуванням щоденного використання виробу. Інтервали змінюються для іншої частоти використання виробу.

Інформацію щодо технічного обслуговування елементів, позначених знаком *, див. у Безпека на сторінці 427.

Для всіх робіт з обслуговування та ремонту необхідна спеціальна підготовка. Ми гарантуємо доступність послуг із професійного ремонту та обслуговування. Якщо ваш дилер не є агентом з обслуговування, зверніться до нього по інформацію щодо найближчого центру обслуговування.

	Перед кожним використанням	Щомісяця	Кожного сезону
Загальна перевірка.	X		
Чищення виробу.	X		
Очистьте область навколо регулятора висоти рукоятки.	X		
Перевірка обмежувача запуску. *	X		
Перевірка справності захисних систем виробу. *	X		
Перевірка різального обладнання.	X		
Перевірка кожуха леза. *	X		
Перевірка ручки зупинення двигуна. *	X		
Перевірка акумулятора на наявність пошкоджень.	X		
Перевірка рівня заряду акумулятора.	X		
Перевірка справності кнопок виймання акумулятора та надійності втримання акумулятора у виробі.	X		
Перевірка заряджального пристрою на наявність пошкоджень і правильність роботи.		X	
Перевірка з'єднань між акумулятором і виробом. Перевірка з'єднань між акумулятором і заряджальним пристроєм.			X

Процедура загальної перевірки

- Переконайтеся, що всі гайки й гвинти на виробі затягнуті.
- Переконайтеся, що кабелі встановлені так, щоб вони не пошкодились.

Чищення виробу

- Для очищення пластмасових деталей використовуйте суху чисту тканину.

- Не користуйтеся водою для очищення виробу. Вода може потрапити в акумулятор чи двигун та призвести до короткого замикання або пошкодження виробу.
- Для чищення виробу не використовуйте миючий апарат високого тиску.
- Заборонено лити воду безпосередньо на двигун.
- Прибирайте листя, траву та бруд за допомогою щітки.

Чищення акумулятора й заряджального пристрою



ПОПЕРЕДЖЕННЯ: Заборонено мити батарею чи заряджальний пристрій водою.



ПОПЕРЕДЖЕННЯ: Для очищення акумулятора не треба використовувати будь-які хімічні речовини.

- Перш ніж уставити акумулятор у заряджальний пристрій, переконайтеся, що вони обидва чисті й сухі.
- Чистити контакти акумулятора треба стисненим повітрям або за допомогою м'якої сухої ганчірки.
- Чистити поверхню акумулятора й заряджального пристрою треба за допомогою м'якої сухої ганчірки.

Чищення області навколо регулятора висоти рукоятки

- Видаляйте листя, траву та бруд за допомогою щітки. (Мал. 32)

Перевірка різального обладнання



ПОПЕРЕДЖЕННЯ: Щоб запобігти випадковому ввімкненню виробу, поверніть ключ безпеки в положення «0», вийміть акумуляторну батарею та почекайте принаймні 5 секунд.



ПОПЕРЕДЖЕННЯ: Під час технічного обслуговування різального обладнання використовуйте захисні рукавиці. Лезо дуже гостре, ним можна легко порізатися.

1. Перевірте різальне обладнання на наявність пошкоджень або тріщин. Обов'язково замінійте пошкоджене різальне обладнання.
2. Огляньте лезо на предмет пошкоджень або затуплення.

Зверніть увагу: Після гостріння леза необхідно відрегулювати його баланс. Гостріння, заміну

та балансування леза необхідно проводити в центрі обслуговування. У разі потрапляння на перешкоду, що призвела до зупинки двигуна, замініть пошкоджене лезо. Спеціалісти центру обслуговування мають провести оцінювання стану леза та надати консультацію щодо необхідності його гостріння або заміни.

Заміна ножа

Дивіться розділ Технічні характеристики на сторінці 440 для визначення правильного типу леза.



ПОПЕРЕДЖЕННЯ: Заблокуйте лезо дерев'яним брусом, щоб уникнути травмування пальців під час його заміни. Лезо може рухатися, навіть коли двигун вимкнено, і це може призвести до застрягання пальців між лезом і нерухожими деталями.

1. Зафіксуйте лезо дерев'яним брусом. (Мал. 33)
2. Вийміть болт леза, пружинну шайбу й лезо. (Мал. 34)
3. Перевірте опору леза й болт на наявність пошкоджень.
4. Перевірте вал двигуна на наявність згинань.
5. Під час установа нового леза спрямовуйте розміщені під кутом кінці в напрямку кожуха леза. (Мал. 35)
6. Переконайтеся, що лезо перебуває на одному рівні з центром вала двигуна.
7. Зафіксуйте лезо дерев'яним брусом. Установіть пружинну шайбу й затягніть болт і шайбу з моментом 23–28 Н·м. (Мал. 36) (Мал. 34)
8. Прокрутіть лезо рукою й переконайтеся в тому, що воно вільно обертається.



ПОПЕРЕДЖЕННЯ:

Використовуйте міцні робочі рукавиці. Лезо дуже гостре, ним можна легко порізатися.

9. Запустіть виріб, щоб перевірити роботу леза. У разі неправильного встановлення леза у виробі буде спостерігатися вібрація або результат скошування буде незадовільним.

Усунення несправностей

Акумулятор

Світлодіоди на акумуляторі	Причина	Рішення
Блимає зелений світлодіод.	Низька напруга акумулятора.	Зарядіть акумулятор. Див. Зарядка акумулятора на сторінці 434.
Блимає світлодіодний індикатор помилки.	Занизький рівень заряду акумулятора.	Зарядіть акумулятор. Див. Зарядка акумулятора на сторінці 434.
	Температура в робочому середовищі занадто низька або занадто висока.	Використовуйте акумулятор за температури 5–40 °С.
	Перенапруга.	Переконайтеся, що напруга в мережі відповідає значенням, указаним на таблиці з паспортними даними виробу. Вийміть акумулятор із зарядного пристрою. Почекайте 5 секунд і спробуйте зарядити акумулятор. Якщо проблему не вдається усунути, зверніться в авторизований центр обслуговування.
Горить світлодіодний індикатор помилки.	Завелика різниця напруги між елементами (1 В).	Зверніться в авторизований центр обслуговування.

Зарядний пристрій

Світлодіодний індикатор на зарядному пристрої	Причина	Рішення
Блимає світлодіодний індикатор помилки.	Температура в робочому середовищі занадто низька або занадто висока.	Використовуйте зарядний пристрій акумулятора за температури 5–40 °С.
Горить світлодіодний індикатор помилки.		Зверніться в авторизований центр обслуговування.

Газонокосарка

Індикатор попередження (світлодіод помилки) розташований під кришкою акумуляторного відсіку.

Несправність	Світлодіодний індикатор помилки (кількість спалахів)	Причина	Вирішення
Світлодіодний індикатор помилки блимає. Виріб працює неправильно.	5	Лезо заблоковане.	Щоб запобігти випадковому запуску двигуна, поверніть ключ безпеки в положення «0». Вийміть акумулятор і зачекайте щонайменше 5 секунд. Видаліть можливі перешкоди й переконайтеся, що лезо може вільно обертатися. Якщо проблему не вдається усунути, зверніться в авторизований центр обслуговування.
		Частота обертання двигуна занадто падає, і він зупиняється.	Збільште висоту різання. Дивіться розділ Налаштування висоти різання на сторінці 434.
	10	Елементи керування двигуном занадто нагрілися.	Зупиніть двигун і почекайте, доки він охолоне.
Світлодіодний індикатор помилки блимає. Виріб зупиняється.	0	Несправність роз'єму акумулятора.	Огляньте роз'єм акумулятора.
	3	Перевантаження двигуна.	Збільште висоту різання. Дивіться розділ Налаштування висоти різання на сторінці 434.
	8	Занизький рівень заряду акумулятора.	Зарядіть акумулятор. Дивіться розділ Зарядка акумулятора на сторінці 434.
	9	Помилка акумулятора або відсутність сигналу від нього.	Правильно вставте акумулятор у виріб і перевірте його роз'єм. Якщо світлодіодний індикатор на акумуляторі продовжує блимати. Дивіться розділ Стан акумулятора на сторінці 434.
	12	Неправильна процедура запуску. Задіяно ручку зупинення двигуна перед його запуском.	Відпустіть ручку зупинення двигуна й зачекайте приблизно 5 секунд. Знову натисніть ручку зупинення двигуна, щоб запустити виріб.
Інші помилки.	У разі появи інших помилок поверніть ключ безпеки в положення «0», вийміть акумулятор і зверніться в затверджений центр обслуговування.		

Транспортування, зберігання й утилізація

Вступ



ПОПЕРЕДЖЕННЯ: Щоб запобігти випадковому ввімкненню виробу під час транспортування та зберігання, поверніть ключ безпеки в положення «0», вийміть акумулятор і зачекайте принаймні 5 секунд.

Установлення виробу в положення для транспортування

1. Натисніть ногою на регулятор висоти. (Мал. 37)
2. Потягніть рукоятку вгору й витягніть регулятор висоти з паза.
3. Складіть ручку вперед у кінцеве положення. (Мал. 38)

4. Складіть регулятор висоти в бік кожуха леза. (Мал. 39)
5. Відпустіть фіксувальні головки ручки. (Мал. 40)
6. Складіть верхню ручку назад. (Мал. 41)

Транспортування

- До літій-іонних акумуляторів, що йдуть у комплекті, застосовується законодавство щодо небезпечних товарів.
- Під час транспортування цивільним транспортом слід дотримуватися спеціальних вимог, що зазначені на пакуванні та наклейках.
- У разі підготовки виробу до транспортування переконайтеся, що ви дотримуетесь законодавства щодо небезпечних матеріалів. Крім того, можуть застосовуватися місцеві норми.
- Перед перевезенням виробу слід завжди виймати акумуляторну батарею.
- Заклейте з'єднувачі акумулятора стрічкою та переконайтеся, що під час транспортування він буде надійно зафіксований.
- Під час транспортування закріплюйте виріб.

Зберігання

- Перед зберіганням виробу дайте йому охолонути.
- Перед зберіганням виробу слід завжди виймати акумулятор.
- Задля уникнення нещасних випадків переконайтеся, що під час зберігання акумулятор не під'єднаний до виробу.
- Зберігайте зарядний пристрій у сухому місці в закритому приміщенні.
- Зберігайте акумулятор та зарядний пристрій у сухому місці, захищеному від вологи та холоду.
- Під час зберігання від'єднуйте акумулятор від зарядного пристрою.
- Заборонено зберігати акумулятор у місці, де можуть утворюватися статичні заряди. Не зберігайте акумулятор у металевій коробці.
- Зберігайте виріб за температури навколишнього середовища від -10°C до 40°C .

- Зберігайте акумулятор за температури навколишнього середовища від 5°C до 25°C у захищеному від прямих сонячних променів місці.
- Зберігайте зарядний пристрій акумулятора за температури навколишнього середовища від 5°C до 45°C у захищеному від прямих сонячних променів місці.
- Перед тривалим зберіганням акумуляторної батареї переконайтеся, що рівень її заряду становить 30–50 %.
- Зберігайте виріб, акумулятор та зарядний пристрій у закритому приміщенні, куди не зможуть отримати доступ діти та особи без належної підготовки.
- Почистьте виріб і впевніться, що травозбірник порожній.
- Виконуйте роботи з технічного обслуговування, які описані в цьому посібнику користувача. Див. Графік технічного обслуговування на сторінці 436.
- Перед тривалим зберіганням виробу виконайте його повне технічне обслуговування.

Утилізація

Символи на виробі або його упаковці вказують на те, що його не слід утилізувати разом з побутовими відходами. Утилізацію цього виробу слід здійснювати на спеціалізованому підприємстві з переробки відходів електричного й електронного обладнання.

Належна утилізація виробу допоможе запобігти потенційному негативному впливу на стан навколишнього середовища та здоров'я людей, який може стати наслідком некоректної обробки відходів. Докладну інформацію про утилізацію цього виробу можна отримати в органах місцевого самоврядування, місцевих службах переробки відходів або в магазині, де було придбано цей пристрій.

(Мал. 42)

Технічні характеристики

	LB 144i
Різальний двигун	
Тип двигуна	Двигун постійного струму (без щіток) 36 В
Частота обертання двигуна – SavE, об. на хв	2600/хв
Частота обертання двигуна – номінальна, об. на хв	3200/хв
Частота обертання двигуна – збільшена потужність, об. на хв	3500/хв

	LB 144i
Вихідна потужність двигуна – максимальна, кВт	0,9
Вихідна потужність двигуна – номінальна, кВт	0,75
Приводний двигун	
Вихідна потужність двигуна – номінальна, кВт	Не застосовується
Швидкість самохідного руху, км/ч	Не застосовується
Рівні швидкості	Не застосовується
Маса	
Маса (без акумулятора), кг	15,5
Маса (з урахуванням BLi30, 1 шт.), кг	17,5
Акумулятор	
Тип акумулятора	Серія Husqvarna
Ресурс акумулятора	
Тривалість роботи від акумулятора, у хвилинах, (на холостому ходу) з активованою функцією SavE, з одним акумулятором Husqvarna ємністю 7,5 А·год (BLi30).	170
Тривалість роботи від акумулятора, у хвилинах, (на холостому ходу) у стандартному режимі роботи, з одним акумулятором Husqvarna ємністю 7,5 А·год (BLi30).	135
Випромінювання шуму ⁷⁹	
Рівень звукової потужності, дБ (A)	90
Гарантований рівень звукової потужності, L _{WA} дБ(A)	92
Рівні звуку ⁸⁰	
Рівень звукового тиску у вусі оператора, дБ(A)	77
Рівні вібрації ⁸¹	
Ручка, м/с ²	0,7
Різальне обладнання	
Висота зрізання, мм	25–75
Ширина зрізання, см	44
Стандартне лезо	Мульчування 5298073-10
Додаткове лезо	Не застосовується

⁷⁹ Випромінювання шуму в середовище, виміряне як звукова потужність (L_{WA}), відповідає директиві ЄС 2000/14/ЄС.

⁸⁰ Заявлені дані про рівень шумового тиску мають похибку (K), яка становить 1,5 дБ (A).

⁸¹ Заявлені дані про рівень вібрації мають похибку (K), яка становить 1,5 м/с². Зазначене загальне значення рівня вібрації виміряно відповідно до додатку I стандарту EN 62841-4-3, його можна використовувати для порівняння однієї машини з іншою, а також для попереднього оцінювання впливу вібрації на оператора.

Схвалені акумулятори	Тип	Ємність батареї, ампер-години	Напруга, В	Маса, фунти / кг
40-B140	Літій-іонний	4,0	36	2,6 / 1,2
BLi30	Літій-іонний	7,5	36	4,2 / 1,9

Схвалені зарядні пристрої для вказаних акумуляторів, BLi	Вхідна напруга, В	Частота, Гц	Потужність, Вт
40-C80	100–240	50–60	68,8
QC250	220–240	50	250

Декларація відповідності

Декларація відповідності ЄС

Ми, компанія Husqvarna AB, SE-561 82 Huskvarna, Швеція, тел.: +46-36-146500, заявляємо під свою виключну відповідальність, що представлений виріб:

Опис	Газонокосарка
Бренд	Husqvarna
Тип / модель	LB 144i
Ідентифікація	Серійні номери за 2022 рік і пізніше

повністю відповідає таким директивам і нормам ЄС:

Норма	Опис
2006/42/EC	«Про механічне обладнання»
2014/30/EU	«Про електромагнітну сумісність»
2000/14/EC	«Про виділення шуму в навколишнє середовище»
2011/65/EU	«Про обмеження використання деяких небезпечних речовин в електричному й електронному обладнанні»

і що до нього застосовуються вказані далі узгоджені стандарти та/або технічні специфікації: EN 62841-1:2015/AC:2015, EN IEC 62841-4-3:2021/A11:2021, EN ISO 12100:2010, EN 55014-1:2021, EN 55014-2:2021, EN IEC 61000-6-2:2019, EN IEC 61000-6-3:2021, EN IEC 63000:2018

Уповноважений орган: Компанія 0404, RISE SMP Svensk Maskinprovning AB, Box 4053, SE-904 03 Umeå, Sweden підтвердила відповідність директиві ради ЄС 2000/14/EC, процедура оцінки відповідності: Додаток VI.

Відомості стосовно випромінювання шуму дивіться в розділі Технічні характеристики на сторінці 440.

Huskvarna, 2022-12-05



Клас Лосдал (Claes Losdal), директор із питань розвитку / продукції для садівництва, Husqvarna AB

Відповідальний за технічну документацію



目次

はじめに.....	444	トラブルシューティング.....	454
安全性.....	445	搬送、保管、廃棄.....	455
組立.....	450	主要諸元.....	456
Operation（動作）.....	450	適合宣言.....	458
メンテナンス.....	452		

はじめに

製品の説明

本製品は、BioClip により刈った芝を堆肥化できる手押し式ロータリー芝刈機です。

製品の概要

(図 1)

1. ハンドル／ハンドルバー
2. モーターブレーキハンドル
3. 始動抑制装置
4. リフトハンドル
5. カuttingデッキ
6. 刈高調整レバー
7. 安全キー
8. バッテリーリッド
9. ハンドルバー用高さ調整ボール
10. SavE ボタン
11. 警告インジケータ（エラー LED）
12. 取扱説明書
13. バッテリー充電器（アクセサリ）
14. バッテリー（アクセサリ）

製品に表記されるシンボルマーク

- (図 2) 警告
- (図 3) すべての指示をお読みください。
- (図 4) 警告 - 飛んでくる物体に気をつけてください。
- (図 5) そばに人がいないようにしてください。
- (図 6) 警告 - ブレードに手や足を近づけないでください。
- (図 7) 警告 - メンテナンスの前にはバッテリーを外してください。
- (図 8) 本製品や本製品のパッケージは、一般廃棄物ではありません。電気・電子機器のリサ

用途

本製品は芝刈り用です。他の作業に本製品を使用しないでください。

イクル業者にリサイクルを依頼してください。

(図 9)

環境に対する騒音レベルは EC 指令と英国の指令および規制、ニューサウスウェールズの法規「Protection of the Environment Operations (Noise Control) Regulation 2017」に準拠しています。本製品の保証音響レベルは次の場所とラベルに記載されています：主要諸元 456 ページ。

(図 10)

本アタッチメントは EC 規格適合製品です。

(図 11)

本製品の保証音響レベルは次の場所とラベルに記載されています：

(図 12)

本製品は防滴対応です。

(図 13)

モーターブレーキハンドルを放すと、モーターは停止します。

(図 14)

スキャン用のコード

注記： 本製品に付いている他のシンボル／銘板は、一部の市場地域に向けた認定条件を示します。

製造物責任

製造物責任法に基づき、当社は、次の場合については本製品を原因とする損傷について責任を負いません。

- 本製品が誤って修理された場合。
- メーカーによるものではない部品、またはメーカーの認可していない部品を使用して本製品を修理した場合。
- メーカーによるものではないアクセサリ、またはメーカーの認可していないアクセサリを本製品に使用した場合。

- ・ 認定サービスセンターまたは認定機関で本製品が修理されていない場合。

安全性

安全性の定義

警告、注意、注記は、取扱説明書の特に重要な部分を示しています。



警告： 取扱説明書の指示に従わない場合、使用者が負傷したり、死亡したりするか、あるいは付近の人に損傷を与える危険があることを意味します。



注意： 取扱説明書の指示に従わない場合、製品や他の物品、または隣接するエリアに損傷を与える危険があることを意味します。

注記： 特定の状況で必要とされる詳細情報を提供するために使用されます。

製品に関する一般的な安全上の警告



警告： 本製品に付属する安全に関する警告、注意事項、図、仕様をすべてお読みください。下記のすべての指示に従わない場合、感電、火災、あるいは深刻な傷害を招くことがあります。

すべての警告や説明は、以後の参考のために保管してください。警告の「製品」とは、電源で作動する（コード付）製品またはバッテリー駆動（コードレス）の製品を指します。

作業エリアの安全

- ・ 作業エリアはきれいにし、適切な照度を保ってください。乱雑な場所や暗い場所では、事故が起こりやすくなります。
- ・ 可燃性の液体や気体、塵がある所など、爆発性環境の中では本製品を作動させないでください。本製品は、塵やガスを発火させる火花を発生することがあります。
- ・ 本製品の操作中は子供やそばにいる人たちと十分な距離を置いてください。注意が散漫になって、操作ミスを引き起こす可能性があります。

電気保安

- ・ 製品のプラグはコンセントに適合しなければなりません。決してプラグを改造しないでください。アダプタープラグをアースの付いた（接地された）製品とともに使用しないでください。改造されていないプラグおよび型の同じコンセントを使用すれば、感電のリスクが低くなります。
- ・ パイプやラジエータ、レンジ、冷蔵庫など、アースの付いた表面または接地された表面に触れないよう

にしてください。体が接地していたりアースされていたりすると、感電のリスクが高くなります。

- ・ 製品を雨露や湿潤な環境にさらさないでください。製品内に水が入ると、感電のリスクが高まります。
- ・ コードを本来の目的以外に使用しないでください。コードを持って製品を移動したり、引っ張ったり、電源を抜いたりしないでください。熱やオイル、とがった先端や可動部品にコードを近づけないでください。コードが破損したり絡まると、感電のリスクが高くなります。
- ・ 屋外で製品を操作する場合は、屋外での使用に適した延長コードを使用してください。屋外での使用に適したコードを使用することで、感電の危険性は少なくなります。
- ・ 湿気のある場所で製品を使用しなければならない場合は、電源を保護するために漏電遮断器（RCD）を使用してください。RCD の使用は感電の危険性を低減します。

個人の安全

- ・ 製品を使用するときは、十分に気をつけて慎重に行動し、常識に従ってください。疲労時、医薬品およびアルコールの影響が残っている状態で製品を使用しないでください。製品の操作中は、一瞬の不注意が重大な人的損傷につながる可能性があります。
- ・ 身体保護具を使用してください。常に眼の保護具を着用してください。防塵マスクや滑り止め用の安全靴、ヘルメット、イヤマフを使用すると、負傷の危険性が少なくなります。
- ・ 予期せぬ始動を防止してください。電源およびバッテリーパックを接続する場合や本製品を持ち運ぶ場合は、必ずスイッチがオフの位置にあることを確認してください。スイッチに指を置いて製品を運んだり、製品のスイッチが入った状態で給電すると、事故につながります。
- ・ 製品の電源を入れる前に、調整キーやレンチを外してください。本製品の回転部品にレンチやキーが取り付けられていると負傷の原因となります。
- ・ 無理な体勢で作業しないでください。常に、安定した足場とバランスを保つようにしてください。これにより、予期しない事態でも本製品を安定した状態に保つことができます。
- ・ 適切な服装を心がけてください。ゆったりした衣服や装身具を身につけないでください。可動部品に髪の毛や衣服を近づけないでください。ゆったりした衣服や装身具、長髪は可動部品に絡まるおそれがあります。
- ・ 集塵装置の接続用装備が提供されている場合、それらが接続されて正しく使用されているか確認してください。集塵装置を使用すると、塵に関連する危険を回避できます。
- ・ 製品を頻繁に使用することによる慣れで、安全への関心を失ってツールの安全原則を無視することは非

常に危険です。不注意により、一瞬で深刻な事故が発生するおそれがあります。

製品の使用と手入れ

- 本製品に無理な力を加えないでください。用途に合った適切な製品を使用してください。適切な製品を使用することで、設計された速度でより良く安全に作業を行えます。
- スイッチが機能しない場合は本製品を使用しないでください。スイッチで制御できない製品は危険なため、修理する必要があります。
- 製品の調整、アクセサリの変更、または製品の保管前は、電源プラグを外し、製品からバッテリーパックを取り外してください（着脱可能な場合）。予防的な安全対策を行うことで、誤って本製品を始動させる危険性が少なくなります。
- 使用していない製品は子供の手の届かない所に保管して、製品や製品の取り扱い方法に詳しくない人間が操作しないように注意してください。慣れないユーザーが製品を扱うと危険です。
- 製品とアクセサリのメンテナンスを行ってください。可動部品の誤調整や巻き付き、部品の破損や製品の動作に影響するその他の状態が発生していないことを確認します。破損している場合は、本製品を修理してから使用してください。多くの事故は、製品の保守不備によって発生します。
- 切削工具は研いだ状態で清潔に保ちます。正しくメンテナンスされて研いだ状態である切削工具は、バインドすることも少なく、制御が簡単です。
- 本製品、アクセサリ、工具ビッドなどは、作業条件と作業について考慮して、取扱説明書に従って使用してください。本製品の用途と異なる作業に本製品を使用すると、危険な状況を招くことがあります。
- ハンドル部および保持面は乾燥させて、オイルや油が付着しないようにきれいな状態を保ってください。ハンドルと保持面が滑りやすいと、予期しない状況で製品の安全な取り扱いや制御ができません。

バッテリーツールの使用と手入れ

- メーカー指定の充電器のみを使って充電してください。1種類のバッテリーパックのみに適合する充電器は、それ以外のバッテリーパックの充電で使用すると、火災を起こす恐れがあります。
- 製品には、指定された専用バッテリーパックのみ使用してください。それ以外のバッテリーパックを使用すると、怪我や火災を招く危険があります。
- バッテリーパックを使用しないときは、ペーパーリップ、コイン、キー、爪きり、ネジなどの金物、あるいは端子間を短絡する恐れがある他の小さな金物から遠ざけるようにしてください。バッテリー端子の短絡は、火傷や火災を引き起こす恐れがあります。
- 劣悪な環境では、液体がバッテリーから漏れ出すことがあります。そのような場合、液体には触れないようご注意ください。もし万が一誤って触ってしまった場合、水で洗い流してください。液体が目に入ってしまった場合、医師の診察を受けてください。バッテリーから漏れ出した液体は、炎症や火傷を引き起こすことがあります。

- 故障した、または改造されたバッテリーパックやツールは使用しないでください。故障した、または改造されたバッテリーは、予測不可能な挙動を起こし、発火や破裂、障害の原因となる可能性があります。
- バッテリーパックやツールを火や高温にさらさないでください。火または 130°C (265°F) 以上の温度環境にさらすと爆発する恐れがあります。
- 充電の手順にすべて従い、指示された温度範囲外でバッテリーパックまたはツールを充電しないでください。充電を不適切に行ったり、指定された範囲から外れた温度環境で行ったりした場合、バッテリーの損傷や火災発生の危険の増加につながることがあります。

サービス

- 製品のサービスは、資格のある修理担当者が同じ交換部品を使って行うようにしてください。こうすることで、製品の安全性を維持できます。
- 損傷したバッテリーパックを決して修理しようとしないでください。バッテリーパックの修理は、メーカーまたは販売店しか行えません。

芝刈機に関する安全上の警告

- 悪天候の場合、特に雷発生の危険がある場合は、芝刈機を使用しないでください。これは、落雷の危険を避けるためです。
- 芝刈機を使用するエリアの野生動物について十分に調査してください。芝刈機の動作中に野生動物が負傷する可能性があります。
- 芝刈機を使用するエリアを十分に調査して、すべての石、枝、ケーブル、骨などの異物を取り除いてください。飛んでくる物によって負傷する可能性があります。
- 芝刈機を使用する前に、必ずブレードとブレードアセンブリが摩耗または損傷していないことを目視で点検してください。パーツが摩耗または損傷していると、負傷する可能性が高くなります。
- グラスキャッチャーに摩耗や劣化がないか、頻繁に確認してください。グラスキャッチャーが摩耗または損傷していると、負傷する危険性が高くなります。
- ガードを取り付けてください。適切に動作するガードを正しく取り付ける必要があります。ガードに緩みや損傷がある場合や適切に動作しない場合は、負傷につながるおそれがあります。
- すべての冷却用吸気口から異物を取り除いてください。冷却用吸気口が異物で塞がれていると、火災を起こす危険性があります。
- 芝刈機の操作中は常に滑りにくい保護靴を着用してください。裸足やサンダルで芝刈機の操作をしないでください。動作中のブレードと足が接触しないようにすることで負傷の可能性が減少します。
- 芝刈機の操作中は、必ず長ズボンを着用してください。肌が露出していると、飛ばされた物体によって負傷する可能性が高くなります。
- 芝刈機は濡れた手で操作しないでください。歩きながら操作し、決して走らないでください。滑って転倒して負傷する可能性が減少します。

- ・ 芝刈機は急斜面では使用しないでください。制御が効かずに滑って転倒して負傷する可能性が減少します。
- ・ 斜面で作業する場合は、常に足元を確認して、斜面を上下することは避けて横方向に移動してください。方向を変えるときは特に注意を払ってください。制御が効かずに滑って転倒して負傷する可能性が減少します。
- ・ 芝刈機を後退させるとき、または手前に引くときは、細心の注意を払ってください。常に周囲に気を付けてください。これにより、運転中の転倒のリスクが低減されます。
- ・ ブレードやその他の危険な可動部品が動いている間は触れないでください。これにより、可動部品による負傷のリスクが低減されます。
- ・ 詰まった物体を取り除くときや芝刈機を清掃するときは、すべての電源スイッチがオフで、電源コードが外れていることを確認してください。誤って芝刈機が作動すると、重傷の原因となる可能性があります。

漏電遮断器

- ・ トリップ電流が 30 mA 以下の漏電遮断器を使用してください。

一般的な安全注意事項



警告： 本製品を使用する前に、以下の警告指示をお読みください。

- ・ 本製品は、慎重かつ適切に使用しないと、危険な道具となります。安全注意事項に従わないと、負傷や死亡事故が発生するおそれがあります。
- ・ 本製品では、運転中に電磁場が発生します。この電磁場は、ある条件下でアクティブ、またはパッシブな医療用インプラントに影響を及ぼすことがあります。深刻な傷害または致命傷の危険を避けるため、医療用インプラントを使用している方は、本製品を使用する前に主治医および医療用インプラントの製造元に相談することをお勧めします。
- ・ 常に常識に基づいて注意して使用してください。特別な状況での本製品の操作方法がわからない場合、作業を続ける前に本製品を停止して、Husqvarna 販売店までご連絡ください。
- ・ 第三者やその所有物が事故に関係する場合、その責任は、作業者にあることを忘れないでください。
- ・ 本製品は清潔に保ってください。標識やラベルがはっきりと読み取れるようにしてください。
- ・ 子供や使用方法に習熟していない人には本製品を使用させないでください。居住地の法規によっては、使用者の年齢制限がある場合があります。
- ・ 身体的、精神的にハンデを負った人が本製品を使用する場合は常に監視してください。責任を有する大人が常にそばにいる必要があります。
- ・ 疲労時、疾病時、アルコールや医薬品の影響が残っているときは、本製品を使用しないでください。視力、注意力、動作、判断力に悪影響を与えます。

- ・ 本製品に不具合がある場合は使用しないでください。
- ・ 本製品を改造しないでください。また、本製品が改造されている可能性がある場合は使用しないでください。

安全な作業



警告： 本製品を使用する前に、以下の警告指示をお読みください。

- ・ 本製品は芝生刈りにのみ使用してください。他の作業には使用できません。
- ・ 身体保護具を使用してください。身体保護具 448 ページを参照してください。
- ・ 緊急時にモーターをすばやく停止する方法を必ず確認してください。
- ・ 雨降りや湿潤な環境下で本製品を操作しないでください。本製品に水が入ると、感電の危険性が高まります。
- ・ ブレードやすべてのカバーを適切に装着してから本製品を始動させてください。ブレードが適切に装着されていないと、緩んで、怪我をすることがあります。
- ・ ブレードが石や根などの物体にぶつからないように気を付けてください。ブレードが損傷したり、モーターシャフトが曲がったりするおそれがあります。シャフトが曲がると振動が激しくなり、ブレードが緩む危険性が非常に高くなります。
- ・ ブレードが物に当たったり振動が発生したりした場合は、すぐに本製品を停止してください。モーターを停止し、安全キーを 0 の位置に回してバッテリーを取り外します。可動部品が停止するまで待ちます。製品に損傷がないか点検します。緩んだ部品を締め付けます。損傷部を修理するか、破損した部品を交換します。販売店にメンテナンスを依頼してください。
- ・ モーターの始動時は、モーターブレーキハンドルをハンドルに完全に固定しないでください。
- ・ 製品を平らで安定した面に置き、始動します。ブレードが地面やその他の物に触れないよう、注意してください。
- ・ 本製品の操作時は、必ず製品の後ろに立ってください。
- ・ 製品を操作するときは、すべてのホイールを地面につけ、両手でハンドルをつかんで操作してください。回転しているブレードに手や足を近づけないでください。
- ・ モーターの始動時や本製品の動作中には、本製品を傾けないでください。
- ・ 製品を後方に引くときは注意してください。
- ・ モーターの作動中は、本製品を持ち上げないでください。本製品を持ち上げる場合は、まずモーターを停止させ、安全キーを 0 の位置に回してバッテリーを取り外してください。
- ・ 本製品を操作するときは、後ろ向きに歩かないでください。

- 搬送のために本製品を傾ける必要がある場合や、砂利、石、アスファルトの道など草のない場所を通過する前には、モーターを停止します。
- モーターの作動中は、本製品を操作しながら歩かないでください。製品を操作するときは、必ず歩いてください。
- 刈高を変更する場合は、まずモーターを停止してください。モーターが作動している状態での調整は決して行わないでください。
- モーターが作動している状態で、見えない場所に製品を放置しないでください。モーターを停止し、カッティング装置が回転していないことを確認してください。
- 動作中の本製品の振動は、主要諸元 456 ページの公称振動値とは異なる場合があります。これは製品の使用方法が異なることが理由です。本製品を頻繁に、または長期間使用する場合は、振動による負傷を防ぐために定期的に休憩を取ってください。

操作のための安全注意事項

身体保護具



警告： 本製品を使用する前に、以下の警告指示をお読みください。

- 身体保護具で怪我を完全に防止できるわけではありませんが、万が一事故が起こった場合、負傷の度合いを軽減することができます。適切な保護具の選択については、販売店にご相談ください。
- 丈夫で滑りやすいブーツや靴を着用してください。開放部の多い靴を使用したり、裸足で作業を行ったりしないでください。
- 厚手の長ズボンを着用してください。
- カッティング装置の取り付け、点検、清掃を行う場合は、必要に応じて保護グローブを着用してください。
- イヤマフを使用することをお勧めします。

本製品の安全装置



警告： 本製品を使用する前に、以下の警告指示をお読みください。

- 安全装置に欠陥のある製品は使用しないでください。
- 安全装置を修理または改造しないでください。
- 安全装置は定期的に点検してください。安全装置に欠陥がある場合は、Husqvarna サービス代理店にご相談ください。

カッティングカバーの点検方法

カッティングカバーは、本製品の振動を抑え、ブレードで負傷する危険性を低減します。

- カッティングカバーを点検して、亀裂などの損傷がないことを確認してください。

安全キーの点検

安全キーはバッテリーカバーの下にあります。安全キーは、電源を供給するバッテリーとモーターを接続します。

- 安全キーを点検するには、モーターを始動および停止します。
- 安全キーが正しく機能している場合は、安全キーが 1 の位置にあるときにのみモーターが始動します。(図 15)

モーターブレーキハンドルの点検

モーターブレーキハンドルは、モーターを停止させるためのものです。モーターブレーキハンドルを放すと、モーターが停止します。

- 本製品を始動します。本製品の始動方法 451 ページを参照してください。
- モーターブレーキハンドルを放します。(図 16)
- 本製品が停止することを確認します。モーターが 3 秒で停止しない場合は、Husqvarna の認証サービス代理店にモーターブレーキの調整を依頼してください。

始動抑制装置の点検

始動抑制装置を点検して、モーターの作動を抑制することを確認します。

1. ハンドルバーの方向にモーターブレーキハンドルを押します。始動抑制装置により動きが停止します。
2. 始動抑制装置を押します。(図 17)
3. 始動抑制装置を放して、最初の位置に戻ることを確認します。

バッテリーの安全



警告： 本製品を使用する前に、以下の警告指示をお読みください。

- Husqvarna 充電式バッテリーは、対応する Husqvarna 製品の電源としてのみ使用してください。負傷を防ぐため、このバッテリーを他の装置の電源として使用しないでください。
- 充電式ではないバッテリーは使用しないでください。
- 感電するおそれがあります。バッテリーの端子を鍵や硬貨、ネジや他の金属に接触させないでください。バッテリーが短絡する原因になります。
- バッテリーのエアスロットに物が入らないようにしてください。
- バッテリーは直射日光や熱、裸火から保護してください。バッテリーが爆発して、やけどや化学熱傷を負うおそれがあります。
- バッテリーは雨や湿気から保護してください。
- バッテリーは電子レンジや高圧から保護してください。
- バッテリーを分解もしくは粉碎しないでください。
- バッテリーから漏れが発生した場合、身体や目に液体が触れないようにしてください。液体が人体に触

れた場合は、触れた箇所を大量の水で洗い流して、医療機関に相談してください。

- 周囲温度が 5 °C ~ 40 °C の場合にのみ本製品にバッテリーを使用してください。
- 周囲温度が 5 °C ~ 40 °C の場合にのみバッテリー充電器を使用してください。
- バッテリーの温度が 50 °C を超えると、バッテリーは充電されません。
- バッテリーまたはバッテリー充電器は、水で洗浄しないでください。バッテリーとバッテリー充電器の清掃方法 453 ページを参照してください。
- 不具合や損傷のあるバッテリーは使用しないでください。
- バッテリーは、きざ、硬貨、宝飾品などの金属から遠ざけて保管してください。

バッテリー充電器の安全性



警告： 本製品を使用する前に、以下の警告指示をお読みください。

- Husqvarna 交換用バッテリーの充電には、QC バッテリー充電器のみを使用してください。
- 感電や短絡のおそれがあります。充電器のエアロッドに物が入らないようにしてください。バッテリー充電器を分解しないでください。充電器の端子を金属物体へ接触させないでください。認定された主電源ソケットを使用してください。
- 本製品では、運転中に電磁場が発生します。この電磁場は、ある条件下でアクティブ、またはパッシブな医療用インプラントに影響を及ぼすことがあります。深刻な傷害または致命傷の危険を避けるため、医療用インプラントを使用している方は、本製品を使用する前に主治医および医療用インプラントの製造元に相談することをお勧めします。
- 定期的に充電器の電源コードを点検し、破損や亀裂がないことを確認してください。
- 電源コードを持ってバッテリー充電器を持ち上げないでください。主電源ソケットからバッテリー充電器を取り外す際は、プラグを引っ張ってください。電源コードを引っ張らないでください。
- 電源コードと延長ケーブルが、水や油、または尖った物に接触しないようにしてください。ドア、フェンスなどにケーブルが挟まっていないことを確認してください。充電器に通電する可能性があります。
- バッテリー充電器を、水で洗浄しないでください。
- このバッテリー充電器は、8 才以上の子供、身体的、知覚的、精神的障害のある方、または経験や知識のない方でも、バッテリー充電器の安全な使用に関する監督または指示を受け、関連する危険について理解すれば使用できます。充電器を小児の玩具にしないでください。クリーニングおよびメンテナンスは、保護者による監視のない限り、小児に行わせてはいけません。

- 充電不可能なバッテリーを本バッテリー充電器で充電しないでください。
- 可燃性の物質や、腐食の原因となる物質の近くでは、バッテリー充電器を使用しないでください。バッテリー充電器にカバーをかけないでください。煙や火災が発生した場合、バッテリー充電器の電源プラグをコンセントから引き抜いてください。
- 故障または破損したバッテリー充電器は使用しないでください。
- バッテリーは、通気がよく直射日光が当たらない室内のみ充電してください。濡れた状態でバッテリーを充電しないでください。

メンテナンスのための安全注意事項



警告： 本製品を使用する前に、以下の警告指示をお読みください。

- メンテナンス中に誤って始動しないようにするために、安全キーを 0 の位置に回して、バッテリーを取り外します。5 秒以上待ってから、メンテナンスを開始してください。
- 本取扱説明書に記載されているメンテナンスのみを実施してください。本書に記載されている内容以外のメンテナンスやプロによる修理は必ず販売店に依頼してください。詳しくは、最寄りのサービス代理店までお問い合わせください。
- 適切にメンテナンス作業を実施すると、製品の寿命が延び、事故のリスクを低減することができます。
- 損傷、摩耗、破損した部品は交換してください。必ずメーカーが推奨する純正スペアパーツのみを使用してください。その他のスペアパーツを使用すると、本製品が損傷し、事故の危険性が高まる可能性があります。
- 負傷を防ぐために、安全装置を修理または改造しないでください。
- カutting装置を取り扱う際は、丈夫な作業用手袋を着用してください。ブレードは非常に鋭利なため、切り傷を負う危険性があります。
- 最も安全で最良の性能を実現するために、Cuttingエッジを目立てし、清潔に保ってください。
- サービス代理店に本製品の定期検査を依頼し、必要な調整や修理を受けてください。
- アクセサリーの交換は、手順に従って実施してください。純正のアクセサリーのみを使用してください。
- 操作しないときは、製品、バッテリー、バッテリー充電器を乾燥した、屋内の鍵のかかる場所に保管してください。子供や許可されていない人が、製品、バッテリー、バッテリー充電器に近づけないようにしてください。

組立

はじめに



警告： 製品を組み立てる前に、安全の章をよく読んでください。



警告： 組み立て中に誤って始動しないようにするために、安全キーを0の位置に回し、バッテリーを取り外してから最低5秒間待ってください。

ハンドルの組み立て

1. 上部ハンドルを前方に折り畳みます。

2. ハンドルノブを締め付けます。(図18)
3. ハンドルを末端位置まで後方に引きます。
4. 高さ調整ボールを下に折り畳み、溝にはめます。(図19)
5. 高さ調整ボールを足で押し下げます。(図20)

ハンドルの高さの調節方法

1. 高さ調整ボールを足で押し込みます。
2. ハンドルバーを正しい位置に置いてから放します。(図21)

Operation (動作)

はじめに



警告： 本製品を操作する前に、安全に関する章をお読みになり、内容を理解してください。

Husqvarna Connect

Husqvarna Connect は、モバイルデバイス用の無料アプリです。Husqvarna Connect アプリは、お持ちのHusqvarna 製品の拡張機能を提供します。

- 拡張製品情報。
- 製品の部品とサービスに関する情報とヘルプ。

Husqvarna Connect の使い方

1. Husqvarna Connect アプリをモバイルデバイスにダウンロードします。
2. Husqvarna Connect アプリで登録を行います。
3. Husqvarna Connect アプリの指示に沿って、製品を接続して登録します。

製品を操作位置にセットする方法

1. ハンドルを組み立てます。参照：ハンドルの組み立て450ページ。
2. ハンドルの高さを調節します。参照：ハンドルの高さの調節方法450ページ。



注意： ケーブルを張りすぎないようにしてください。ケーブルの張力が高すぎると、ハンドルを搬送位置に折り畳んだ場合にケーブルが破損するおそれがあります。



警告： ハンドルが完全に折り畳まれ、適切な高さのいずれかに設定されていない限り、

り、本製品を操作しないでください。参照：ハンドルの高さの調節方法450ページ。

刈高の設定

刈高は6段階に調節できます。

1. エンジン进行を止めます。
2. 刈高を高くするには、刈高レバーを後方に動かします。(図22)
3. 刈高を低くするには、刈高レバーを前方に動かします。



注意： 刈高を低く設定しすぎないでください。芝生の表面が水平でない場合、ブレードが地面に当たるとおそれがあります。

バッテリー



警告： バッテリーを使用する前に、安全に関する章をお読みになり、内容を理解してください。バッテリーおよびバッテリー充電器の取扱説明書もお読みになり、内容を理解してください。

バッテリーとバッテリー充電器を適切な周辺温度の場所に保管します。

	周辺温度
バッテリーの作動	5°C ~ -40°C
バッテリーの充電	5°C ~ -40°C

バッテリーの状態

ディスプレイには、バッテリー残量やバッテリーに関する問題が表示されます。バッテリー容量は、本製品の電

源がオフになった後あるいはバッテリーインジケータボタンが押された後に 5 秒間表示されます。エラーが発生すると、バッテリーに関する警告マークが点灯します。バッテリー 454 ページを参照してください。

(図 23)

LED ランプ	バッテリーの状態
すべての LED が点灯	フル充電 (75~100%)
LED 1、LED 2、LED 3 が点灯	バッテリーは 50%~75% 充電済み
LED 1、LED 2 が点灯	バッテリーは 25%~50% 充電済み
LED 1 が点灯	バッテリーは 0%-25% 充電済み。
LED 1 が点滅	バッテリーは空です。バッテリーを充電してください。

バッテリーの充電方法

初めて使用する前に、バッテリーを充電してください。お客様への出荷時、バッテリーは 30 %のみ充電されています。

注記： バッテリー充電器は、銘板で指定された電圧と周波数の電源に接続する必要があります。

バッテリーの温度が 50°C を超えている場合は、バッテリーが充電されません。バッテリー充電器は、バッテリーの温度が下がってから充電を開始します。

1. バッテリー充電器用電源コードの片端をバッテリー充電器のソケットに接続します。
2. バッテリー充電器用電源コードのもう一方の端を、アースされている主電源ソケットに接続します。バッテリー充電器の LED が一度緑色で点滅します。(図 24)
3. バッテリーをバッテリー充電器に取り付けます。バッテリーがバッテリー充電器に正しく接続されると、バッテリー充電器の緑色のランプが点灯します。(図 25)
4. バッテリーの LED がすべて点灯したら、バッテリーはフル充電されています。バッテリーを最大 24 時間充電します。
5. 主電源ソケットからバッテリー充電器を取り外す際は、電源コードではなくプラグを引いてください。
6. バッテリー充電器からバッテリーを外します。

バッテリーの充電ステータス

Husqvarna リチウムイオンバッテリーは、充電レベルに関係なく充電、使用可能です。バッテリーは破損しません。フルに充電されたバッテリーは、充電器に入れたままにしても電力が失われることはありません。

LED 表示	充電の状態
LED 1 が点滅	0%~25%

LED 表示	充電の状態
LED 1 が点灯、LED 2 が点滅	25%~50%
LED 1、LED 2 が点灯、LED 3 が点滅	50%~75%
LED 1、LED 2、LED 3 が点灯、LED 4 が点滅	75%~100%
LED 1、LED 2、LED 3、LED 4 が点灯。	フル充電済み

本製品の始動方法

1. バッテリーカバーを開けます。
2. 充電済みバッテリーをバッテリーホルダーに入れます。
3. 安全キーを「1」に回します。(図 26)
4. 製品の後ろに立ってください。
5. 始動抑制装置を緩めます。(図 17)
6. ハンドルバーの方向にモーターブレーキハンドルを押します。(図 27)

SaveE™ 機能の使用方法

本製品には、長時間の動作を実現するバッテリー節約機能 (SaveE™) が備わっています。

- SaveE™ ボタンを 1 の位置に押すと、機能が始動します。(図 28)
- SaveE™ ボタンを 0 の位置に押すと、機能が停止します。

注記： 地面の状態に応じて高い出力が必要になると、SaveE™ 機能は自動的に停止します。SaveE™ 機能は、地面の状態により、自動的に再開されます。

高負荷機能

長い芝や濡れた芝を刈り取る時は、モーターの回転数が自動的に増加します。高負荷が不要になると、モーターは標準モードに戻ります。

モーターの失速

動作中、カッティングカバーの下に詰まった草などの障害物が原因で、ブレードとモーターが一時的に停止することがあります。この場合、モーターブレーキハンドルを押して維持すると、本製品は自動的に再始動します。5~10 秒以内に本製品が再始動しない場合は、カッティングカバーの下の清掃が必要になることがあります。参照：製品の清掃方法 453 ページ。



警告： モーターが停止すると、本製品は 5~10 秒間、自動的に再始動を試みます。カッティングカバーを点検する前に、15 秒以上待ちます。



警告： カuttingカバーを点検する前に、モーターブレーキハンドルを放して、安全キーを回して0に合わせ、バッテリーを取り外して5秒以上待ちます。障害物を取り除いた状態で本製品が誤って始動すると、負傷するおそれがあります。

本製品の停止方法



警告： 目の届かないところに本製品を置く場合は、安全キーを0の位置に回してください。

1. モーターブレーキハンドルを放すと、モーターは停止します。(図 29)
2. バッテリーカバーを開いて、安全キーを0の位置に回します。(図 30)
3. バッテリーを取り外すには、2つの解除ボタンを押して、バッテリーを引き出します。(図 31)

4. バッテリーの充電が不足している場合は、充電してください。詳しくは、バッテリーの充電方法 451 ページを参照してください。

良好に芝を刈る方法

- 必ず鋭利なブレードを使用してください。ブレードが鈍っていると、刈り取りにばらつきが出て、芝の切口が黄ばみます。鋭利なブレードを使用すると、鈍いブレードを使用した場合より労力が少なく済みます。
- 芝の長さの $\frac{1}{2}$ 以上刈らないでください。まず刈高を高く設定して刈ります。結果を確認し、必要なレベルまで刈高を下げます。芝がかなり長い場合は、ゆっくり運転し、必要に応じて刈り取り作業を2回行ないます。
- 1回目と2回目は別の方向に向かって刈り、芝面が筋がつかないようにします。
- カuttingカバーの汚れは落としてください。カuttingカバーの内側に草や土がたまると芝刈りの結果が悪くなります。製品の清掃方法 453 ページを参照してください。

メンテナンス

はじめに



警告： メンテナンスを行う前に、安全に関する章をお読みになり、内容を理解してください。

本製品のすべての整備と修理作業には、特別な訓練が必要です。当社では責任をもって専門的な修理と整備作業を提供します。お客様の販売店がサービス代理店でない場合は、最寄りのサービス代理店に関する情報をお問い合わせください。

詳しくは、www.husqvarna.com を参照してください。

メンテナンスのスケジュール

メンテナンス間隔は、本製品が毎日使用されることを前提に算出されています。本製品を毎日使用しない場合は、メンテナンス間隔が変わります。

「*」の付いているメンテナンスについては、安全性 445 ページを参照してください。

	使用ごと	毎月	季節ごと
一般的な点検を実施します。	X		
製品を清掃します。	X		
ハンドル高さ調整ボールの周辺を清掃します。	X		
始動抑制装置を点検します。*	X		
本製品の安全装置に不具合がないことを確認します。*	X		
カutting装置を点検します。	X		
カuttingカバーを点検します。*	X		
モーターブレーキハンドルを点検します。*	X		
バッテリーに損傷がないか点検します。	X		
バッテリー充電器を点検します。	X		
バッテリーの解除ボタンが正常に作動し、本製品にバッテリーをロックできるか確認します。	X		
バッテリー充電器に損傷がないか点検し、正しく作動することを確認します。		X	

	使用ごと	毎月	季節ごと
バッテリーと本製品の接続部を点検します。バッテリーとバッテリー充電器の接続部も点検します。			X

一般点検の実施方法

- 製品のナットとネジが締め込まれていることを確認してください。
- 製品のケーブルが損傷しやすい場所に配置されていないことを確認してください。

製品の清掃方法

- プラスチック部品は清潔で乾燥した布で清掃してください。
- 本製品を水で洗淨しないでください。バッテリーやモーターに水が浸入して、本製品が短絡したり、破損したりする原因となります。
- 本製品の清掃には高圧水を使用しないでください。
- モーターに直接水をかけないでください。
- ブラシで、葉、草、土を取り除いてください。

バッテリーとバッテリー充電器の清掃方法



警告： バッテリーまたはバッテリー充電器は、水で洗淨しないでください。



警告： バッテリーの清掃には化学物質を使用しないでください。

- バッテリーをバッテリー充電器にセットする前に、バッテリーとバッテリー充電器に汚れがなく、乾燥していることを確認してください。
- 圧縮空気を使用してバッテリー端子を清掃するか、柔らかい乾いた布で拭いてください。
- バッテリーとバッテリー充電器の表面を柔らかい乾いた布で拭いてください。

ハンドル高さ調整ボールの周辺の清掃方法

- ブラシで、葉、草、土を取り除いてください。(図 32)

カッティング装置の点検方法



警告： 誤って始動しないようにするために、安全キーを 0 の位置に回し、バッテリーを取り外してから最低 5 秒間待ってください。



警告： カッティング装置のメンテナンスを実施するときは、保護グローブを着用して

ください。ブレードは非常に鋭利なため、切り傷を負う危険性があります。

- カッティング装置に損傷やひび割れがないかどうか点検してください。損傷したカッティング装置は必ず交換してください。
- ブレードが破損していないか、鈍くなっていないかを確認してください。

注記： ブレードの目立て後は、ブレードのバランス調整が必要です。サービスセンターに依頼して、ブレードの目立て、交換、バランス調整を受けてください。製品が障害物に当たって停止した場合は、破損したブレードを交換してください。サービスセンターに依頼して、ブレードの目立てが可能かどうか、交換が必要かどうかを判断してもらってください。

ブレードの交換

適切なブレードのタイプについては、主要諸元 456 ページを参照してください。



警告： ブレードを交換するときは、指を負傷しないようにブレードを木製ブロックでロックします。ブレードは、モーターがオフのときに動かすことができるため、ブレードと固定部品の間に指が挟まれる可能性があります。

- ブレードを木製ブロックでロックします。(図 33)
- ブレードボルト、スプリングワッシャー、ブレードを取り外します。(図 34)
- ブレードサポートとブレードボルトに破損がないかどうか点検します。
- モーターシャフトが曲がっていないかどうか点検します。
- 新しいブレードを取り付けるときは、角度がついたブレードの端の部分をカッティングカバー方向に向けます。(図 35)
- ブレードがモーターシャフトの中心と合っていることを確認します。
- ブレードを木製ブロックでロックします。スプリングワッシャーを取り付け、ボルトとワッシャーを 23–28 Nm のトルクで締め付けます。(図 36) (図 34)
- 手でブレードを引き回して、引っかかりなく回転することを確認します。



警告： 丈夫な作業用手袋を着用してください。ブレードは非常に鋭利なため、切り傷を負う危険性があります。

9. 製品を始動してブレードのテストを実施します。ブレードが正しく取り付けられていない場合、製品に振動が発生するか、良好な刈り取り結果を得られません。

トラブルシューティング

バッテリー

バッテリーの LED	原因	解決策
緑色の LED が点滅します。	バッテリーの電圧が低下しています。	バッテリーを充電してください。バッテリーの充電方法 451 ページを参照してください。
エラー LED が点滅する。	バッテリーが残りわずかです。	バッテリーを充電してください。バッテリーの充電方法 451 ページを参照してください。
	作業環境の温度が高すぎる、または低すぎる。	バッテリーは 5 °C ~ 40 °C の温度で使用してください。
	過電圧。	電源の電圧が、本製品の銘板に記載された電圧と同じかどうか確認してください。 バッテリー充電器からバッテリーを外します。5 秒待ってから、もう一度バッテリーを充電してください。問題が解決しない場合は、販売店にご相談ください。
エラー LED が点灯する。	電位差が大きすぎます (1 V)。	販売店にご相談ください。

バッテリー充電器

バッテリー充電器の LED	原因	解決策
エラー LED が点滅する。	作業環境の温度が高すぎる、または低すぎる。	バッテリー充電器は 5 °C ~ 40 °C の温度で使用してください。
エラー LED が点灯する。		販売店にご相談ください。

芝刈機

警告インジケータ (エラー LED) はバッテリーリッドの下部にあります。

問題	エラー LED (点滅回数)	原因	解決策
エラー LED が点滅。製品が正常に動作しない。	5	ブレードのブロック。	誤って始動しないようにするために、安全キーを 0 に回します。バッテリーを取り外して 5 秒以上待ちます。障害物を取り除いて、ブレードがスムーズに回転するかを確認してください。問題が解決しない場合は、販売店にご相談ください。
		モーター回転数が大幅に低下し、モーターが停止しています。	刈高を上げてください。参照：刈高の設定 450 ページ。
	10	モーターコントロールが高温です。	モーターを停止し、温度が下がるまで待ちます。
エラー LED が点滅。製品が停止する。	0	バッテリーコネクタの不具合です。	バッテリーコネクタを点検します。
	3	モーターに過負荷がかかっています。	刈高を上げてください。参照：刈高の設定 450 ページ。
	8	バッテリーの充電が不足しています。	バッテリーを充電してください。参照：バッテリーの充電方法 451 ページ。
	9	バッテリーのエラー、またはバッテリーからの信号がありません。	バッテリーを製品に正しく取り付け、バッテリーのコネクタを点検してください。バッテリーのエラー LED が点滅する場合は、参照：バッテリーの状態 450 ページ。
	12	始動の手順が間違っています。モーターが始動する前にモーターブレーキハンドルが操作されました。	モーターブレーキハンドルを放して約 5 秒待ちます。モーターブレーキハンドルを押し下げて本製品を始動します。
その他のエラー。	その他のエラーが発生した場合は、安全キーを「0」に回し、バッテリーを取り外して、認定サービス代理店にお問い合わせください。		

搬送、保管、廃棄

はじめに



警告： 搬送時や保管時に誤って始動しないようにするために、安全キーを 0 の位置に回し、バッテリーを取り外してから最低 5 秒間待ってください。

- 高さ調整ボールをカッティングカバーの方向に折り畳みます。(図 39)
- ハンドルノブを放します。(図 40)
- 上部ハンドルを後方に折り畳みます。(図 41)

搬送

製品を搬送位置にセットする方法

- 高さ調整ボールを足で押します。(図 37)
- ハンドルを引き上げ、高さ調整ボールを溝から引き出します。
- ハンドルを末端位置まで前方に折り畳みます。(図 38)

- 付属のリチウムイオン電池には、危険物の規制に関する規則が適用されます。
- 商用搬送においては、梱包およびラベル付けに関する特別な要件を遵守する必要があります。
- 本製品の搬送準備をする際は、危険物に関する規制を遵守していることを確認してください。地域の規制が適用されることがあります。
- 搬送時は常にバッテリーを外してください。

- ・ バッテリーのコネクターにテープを貼り、搬送中にバッテリーが動かないようにしてください。
- ・ 搬送中、本製品を固定してください。

保管

- ・ 保管する前に本製品を冷ましてください。
- ・ 保管時は常にバッテリーを外してください。
- ・ 事故防止のため、保管時はバッテリーが本製品に接続されていないことを確認してください。
- ・ バッテリー充電器は、密閉された乾燥した場所に保管してください。
- ・ 湿気や霜が発生しない乾燥した場所に、バッテリーとバッテリー充電器を保管してください。
- ・ 保管時は、バッテリーをバッテリー充電器から取り外してください。
- ・ 静電気が発生するような場所にはバッテリーを保管しないでください。バッテリーは金属製の箱に保管しないでください。
- ・ 本製品は、周囲温度が $-10^{\circ}\text{C} \sim 40^{\circ}\text{C}$ の場所に保管してください。
- ・ バッテリーは、周辺温度が $5^{\circ}\text{C} \sim 25^{\circ}\text{C}$ の環境で直射日光に当たらない場所に保管してください。
- ・ バッテリー充電器は、周辺温度 $5^{\circ}\text{C} \sim 45^{\circ}\text{C}$ の環境で直射日光に当たらない場所に保管してください。
- ・ バッテリーを長期間保管する前に、バッテリー充電量を $30\% \sim 50\%$ にしてください。

- ・ 製品、バッテリー、バッテリー充電器は、鍵のかかる場所に保管し、子供や許可されていない人の手が届かないようにしてください。
- ・ 本製品を清掃し、グラスキャッチャーが空であることを確認します。
- ・ 取扱説明書に記載されているメンテナンスを実施してください。メンテナンスのスケジュール 452 ページを参照してください。
- ・ 本製品を長期間保管する前に、完全なメンテナンスを実行してください。

廃棄

本製品や本製品パッケージ上のマークは、本製品が家庭ゴミとして取り扱われてはならないことを示します。電気・電子機器の再利用を行うため、適切なりサイクル営業所に引き渡す必要があります。

以上を遵守することで、本製品は正しく処理され、本製品を不適切に廃棄した場合に環境や人に与えられる悪影響を防止することができます。本製品のリサイクルについての詳細は、あなたの所在する地区の地方自治体、廃棄物処理サービス、本製品を購入した代理店に連絡してください。

(図 42)

主要諸元

	LB 144i
カuttingモーター	
モータータイプ	BLDC (ブラシレス) 36 V
モーター速度 - SavE, r/min	2600/分
モーター速度 - 標準, r/min	3200/分
モーター速度 - 高負荷, r/min	3500/分
モーター出力 - 最大, kW	0.9
モーター出力 - 公称, kW	0.75
駆動モーター	
モーター出力 - 公称, kW	該当なし
自走速度, km/h	該当なし
速度調整レベル	該当なし
質量	
質量 (バッテリーを除く), kg	15.5
質量 (BLi30 x 1 あり), kg	17.5
バッテリー	

	LB 144i
バッテリーの種類	Husqvarna バッテリーシリーズ
バッテリー稼働時間	
バッテリー稼働時間、分、（無負荷） SavE オン、Husqvarna 製 7.5 Ah バッテリー（Bli30）1 個の場合	170
バッテリー稼働時間、分、（無負荷） 標準モードオン、Husqvarna 製 7.5 Ah バッテリー（Bli30）1 個の場合	135
騒音排出⁸²	
音響パワーレベル、測定 dB（A）	90
音響パワーレベル、保証 L _{WA} dB（A）	92
サウンドレベル⁸³	
使用者の耳における音圧レベル（dB（A））	77
振動レベル⁸⁴	
ハンドル、m/s ²	0.7
カッティング装置	
刈高、mm	25 ～ 75
刈幅、cm	44
ブレード基準	マルチ 5298073-10
ブレードアクセサリ	該当なし

認可されたバッテリー	タイプ	バッテリー容量（Ah）	電圧（V）	質量、ポンド/kg
40-B140	リチウムイオン	4.0	36	2.6/1.2
Bli30	リチウムイオン	7.5	36	4.2/1.9

指定バッテリーに適合する認定充電器、Bli	入力電圧、V	周波数、Hz	電力、W
40-C80	100～240	50 ～ 60	68.8
QC250	220 ～ 240	50	250

⁸² 環境における騒音の排出は、EC 指令 2000/14/EC に従って、音響パワー（L_{WA}）として測定。

⁸³ 報告データによれば、騒音圧力レベルの不確定性係数（K）は 1.5 dB（A）です。

⁸⁴ 報告データによれば、振動レベルの不確定性係数（K）は 1.5 m/s² です。公称振動合成値は規格 EN 62841-4-3、付録 I に則って測定されており、装置間の比較および振動暴露の予備評価に使用できます。

適合宣言

EU 適合宣言

ハスクバーナ社（Husqvarna AB, SE-561 82 Huskvarna, Sweden、電話番号：+46-36-146500）は、単独責任のもとで、以下の製品の適合を宣言します。

名称	芝刈機
ブランド	Husqvarna
タイプ／モデル	LB 144i
ID	2022 年以降の製造番号

が以下の EU 指令および規制を完全に順守し、

規制	名称
2006/42/EC	「機械類に関する」
2014/30/EU	「電磁環境適合性に関する」
2000/14/EC	「環境への騒音排出に関する」
2011/65/EU	「電気・電子製品に含まれる特定有害物質の使用制限に関する」

および以下の規格または技術仕様が適用されています：
EN 62841-1:2015/AC:2015, EN IEC 62841-4-3:2021/
A11:2021, EN ISO 12100:2010, EN 55014-1:2021, EN
55014-2:2021, EN IEC 61000-6-2:2019, EN IEC
61000-6-3:2021, EN IEC 63000:2018

試験機関：0404, RISE SMP Svensk Maskinprovning AB,
Box 4053, SE-904 03 Umeå, Sweden が評議会指令
2000/14/EC 適合性評価補足 VI の準拠を確認しました。

騒音排出に関する詳細：主要諸元 456 ページ。

Huskvarna, 2022-12-05



開発マネージャー／ガーデン製品担当 Claes Losdal、
Husqvarna AB

正式代表兼技術文書担当





FR

Cet appareil,
ses cordons,
et batterie
se recyclent

À DÉPOSER
EN MAGASIN

OU

À DÉPOSER
EN DÉCHÈTERIE

Points de collecte sur www.quefairedemesdechets.fr
Privilégiez la réparation ou le don de votre appareil !

Husqvarna®

www.husqvarna.com

Original instructions
Оригинални инструкции
Původní pokyny
Originale instruktioner
Originalanweisungen
Αρχικές οδηγίες
Instrucciones originales
Originalaľjuhend
Alkuperäiset ohjeet
Instructions d'origine

Originalne upute
Eredeti útmutatás
Istruzioni originali
Originalios instrukcijos

Lietošanas pamācība
Originale instructies
Originale instruksjoner
Oryginalne instrukcje
Instruções originais
Instrucţiuni iniţiale
Оригинальные инструкции
Původné pokyny
Izvirna navodila
Originalna uputstva
Bruksanvisning i original
Original talimatlar
Оригинальні інструкції
取扱説明書原本



FR

1142952-38



2022-11-14