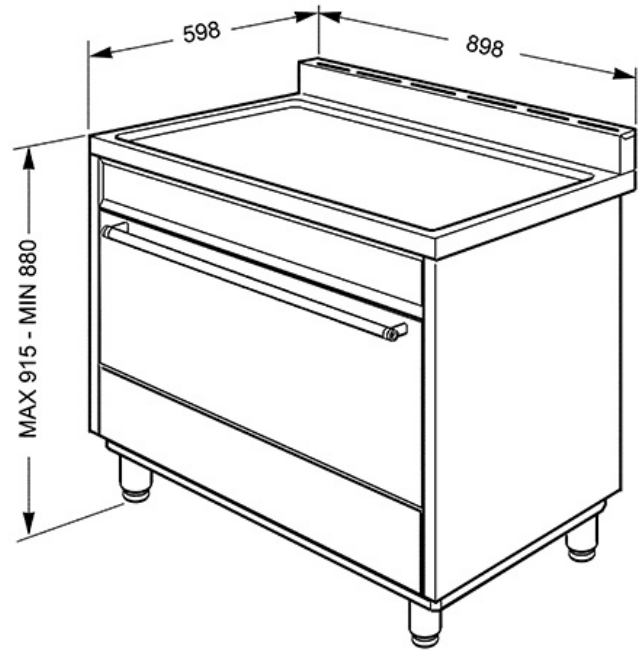


classica Aesthetic

EAN13: 8017709222871

Cooker, 90x60 cm, Classic, Stainless steel, Hob type: Gas, Type of main oven: Fan assisted gas, A



TYPE



• Product Family: Cooker • Cooker size: 90x60 cm • Energy type: Gas • Heat source first cavity: Gas • Hob type: Gas • Type of main oven: Fan assisted gas

AESTHETICS



• Design: Square design Design • Aesthetics: Classic • Colour: Stainless steel • Material: Stainless steel • Door: Full glass • Handle: Smeg Classic • Handle Colour: Brushed stainless steel • Upstand: yes • Type of pan stands: Cast Iron • Command panel finish: Finger friendly stainless steel • Control knobs: Smeg Classic • No. of controls: 9 • Controls colour: Stainless steel • Glass type: Stopsol • Feet: Silver • Storage compartment: Push pull

PROGRAMS / FUNCTIONS



• No. of functions: 5

OPTIONS MAIN OVEN

• Minimum Temperature: 145 °C • Maximum temperature: 260 °C

HOB TECHNICAL FEATURES



• Total no. of cook zones: 6 • 1st zone position: Front left • 2nd zone position: Rear left • 3rd zone position: Front centre • 4th zone position: Rear centre • 5th zone position: Front right • 6th zone position: Rear right • 1st zone type: Gas - 2UR (dual) • 2nd zone type: Gas - AUX • 3rd zone type: Gas - AUX • 4th zone type: Gas - Semi Rapid • 5th zone type: Gas - Semi Rapid • 6th zone type: Gas - Rapid • 2nd zone dimensions: Ø 6.7 cm • 1st zone power: 4200 W • 2nd zone power: 1000 W • 3rd zone power: 1000 W • 4th zone power: 1800 W • 5th zone power: 1800 W • 6th zone power: 2900 W • Type of gas burners: Standard • Automatic electronic ignition: Yes • Burner caps: Matt black enamelled • Gas safety valves: Yes

MAIN OVEN TECHNICAL FEATURES



• Net volume 1st cavity: 115 litres • Gross volume, 1st cavity: 129 litres • Cavity material: Ever Clean enamel • No. of shelves: 5 • Type of shelves: Metal racks • No. of lights: 2 • Light type: Halogen • Light Power: 40 W • Fan number: 2 • Cooking time setting: Minute minder • Door opening: Flap down • Removable door: Yes • Total no. of door glasses: 2 • No. of thermo-reflective door glasses: 1 • Safety Thermostat: Yes • Cooling system: Tangential • Grill type: Electric • Grill element: 2800 W • Temperature control: Electro-mechanical

PERFORMANCE / ENERGY LABEL

A

• Energy efficiency class first cavity: A • GAS - Energy consumption in fan-forced convection, first cavity: 8.38 MJ • GAS - Energy consumption conventional mode, first cavity: 7.93 MJ

ELECTRICAL CONNECTION

• Electrical connection rating: 3000 W • Current: 13 Amp • Voltage: 220-240 V • Frequency: 50/60 Hz

GAS CONNECTION

• Gas Type: G20/G25 20/25mbar • Gas connection rating (W): 16800 W

LOGISTIC INFORMATION

• Dimensions of the product HxWxD (mm): 900x900x600

ACCESSORIES

Accessories Included

• Other gas nozzles included: G30 LPG liquid gas

Accessories included for Main Oven & Hob

• Oven grid with back stop: 1 • Grill mesh: 1 • 40mm deep tray: 1

OPTIONAL

• Child lock: SFLK1