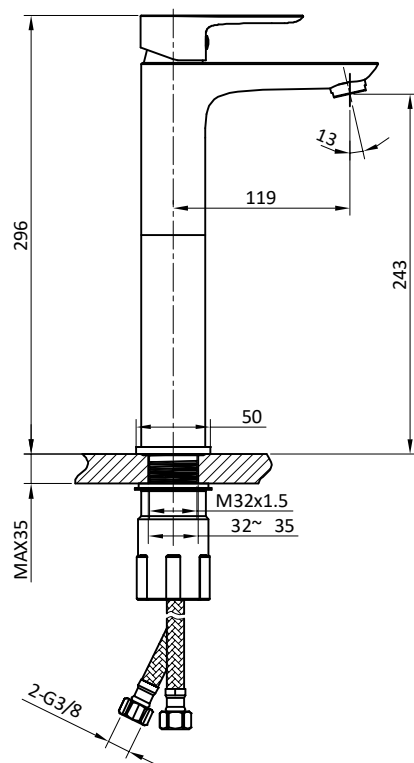
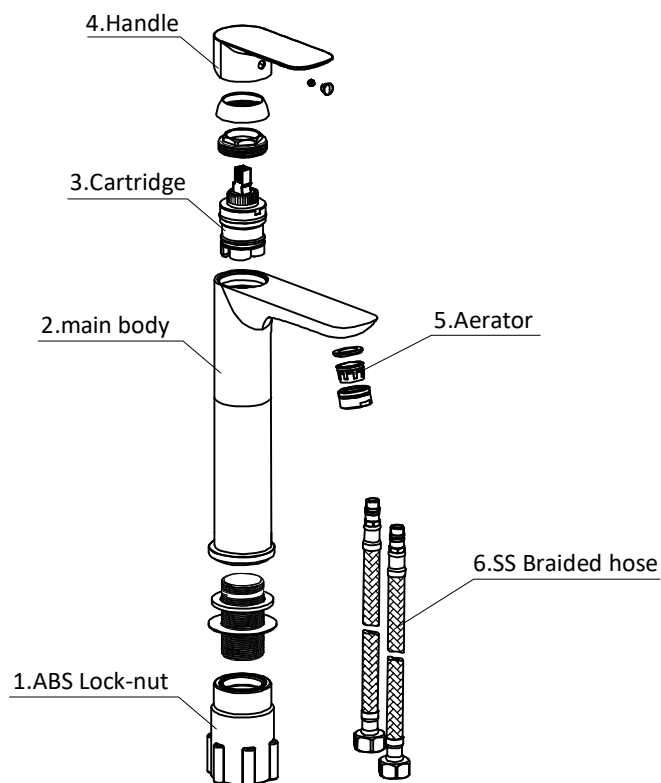


bathlife®

Single Level Basin mixer



Installation drawing



Product accessories

Installation Instruction

1. Supply lines should be purged to clean impurities before connecting the unit. (hot water on left, cold water on right).
2. Hole size for deck mounted: 32- 35(mm).
3. Twist off the ABS lock-nut and washers.
4. Put the braided hoses from bottom of the table hole. Connect the red braided hose to hot water inlet and the blue one to cold water inlet.
5. Install the lock-screw to the basin mixer and put it into the mounted hole. Then put the washers to the lock-screw from the bottom.
6. Tighten with the ABS lock-nut.
7. Connect the braided hoses to the cold and hot angle valve correctly .

Application

1. Turn the handle left and right, left for hot water, and right for cold water.

Cleaning and maintenance

1. Use soap and water to remove lime stains from chrome surface. Don't use acidic detergents, scouring pads or steel wool; otherwise the chrome parts will be damaged
2. Use soap and water to clean installation accessories, such as plastic or rubber components. Don't use acidic detergents, scouring pads, alcohol cleaners or steel wool.

Data Sheet

| | |
|----------------------|----------------|
| Nominal Diameter | G3/8 |
| General Medium | Water |
| Water Pressure | 0.05Mpa-1.0Mpa |
| Recommended Pressure | 0.1Mpa-0.6Mpa |
| Temperature Range | 4 C - 90 C |