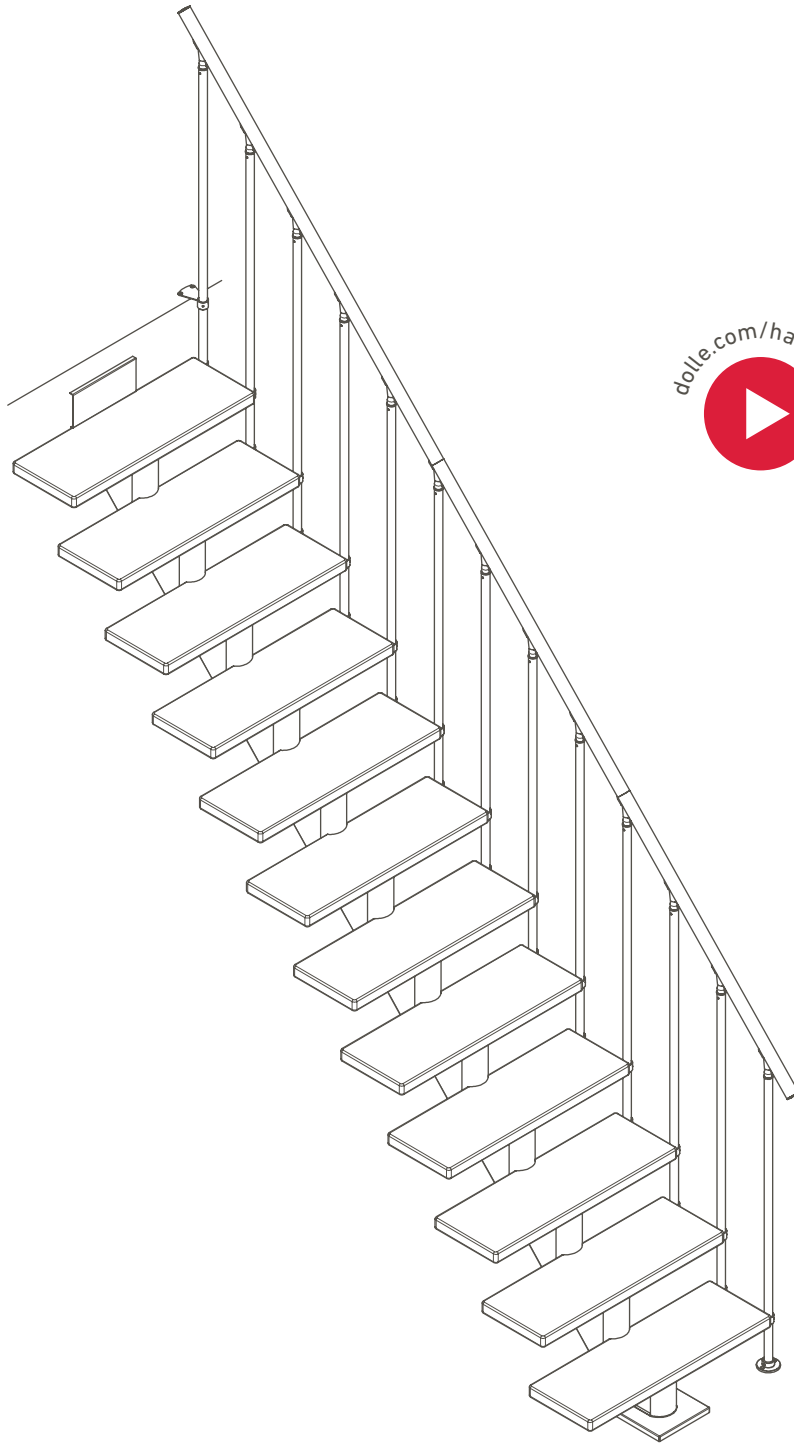


**DOLLE®**



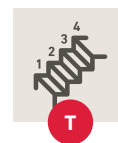
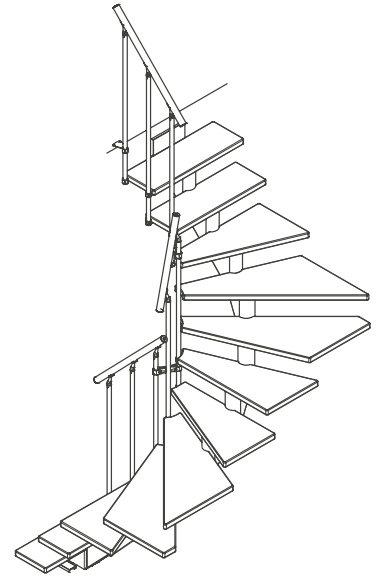
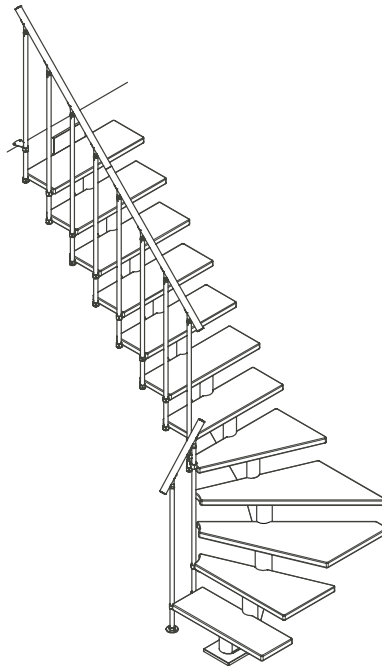
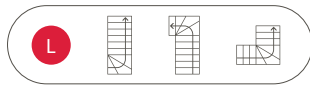
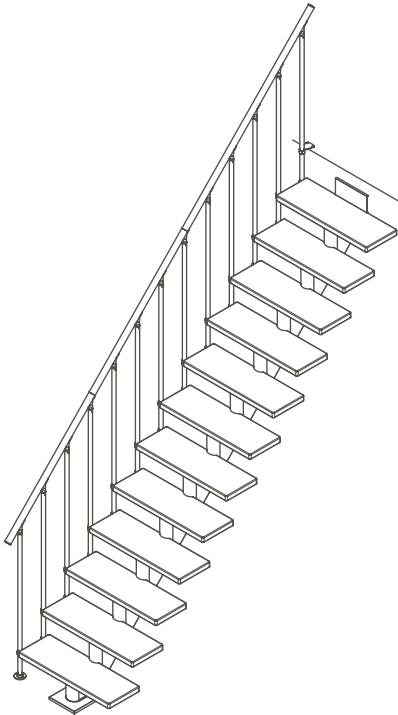
**CLASSIC II BANISTER**

# HAMBURG

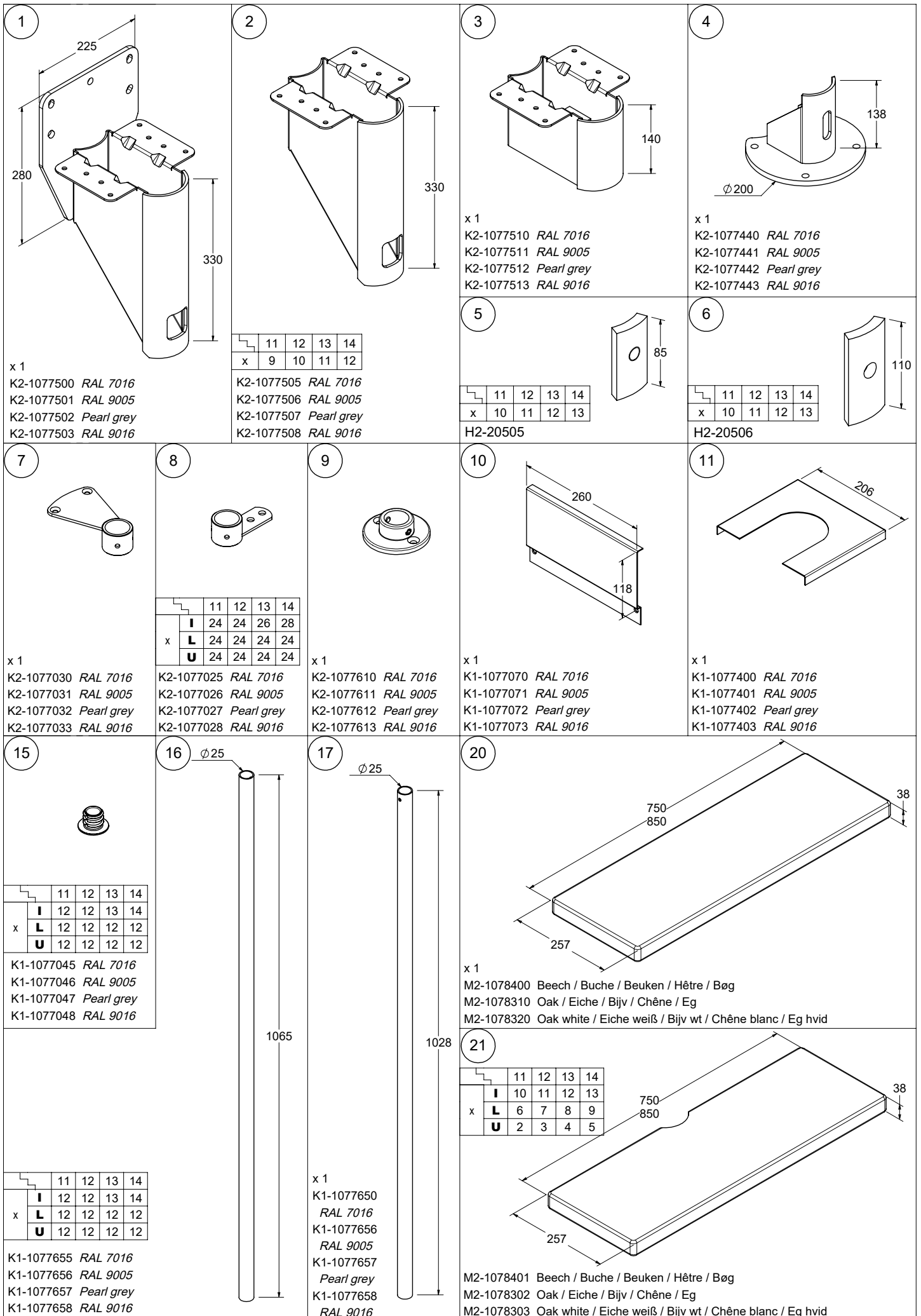
**INSTRUCTION / MONTAGEANLEITUNG  
INSTRUKTION / INSTRUCCION / INSTRUKCJA**

**SOGEM®**

PART OF DOLLE GROUP



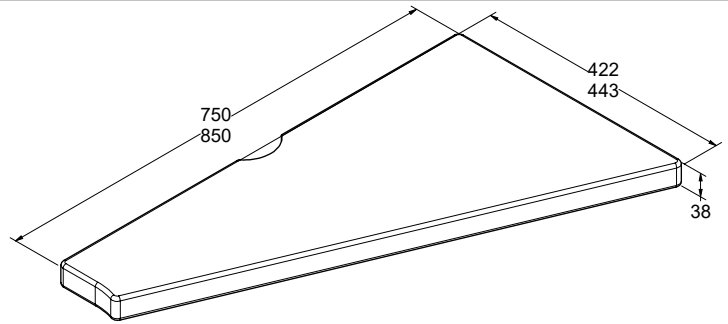
	Height floor-to-floor	Rise height	Number of treads
	Geschosshöhe	Steigungshöhe	Anzahl Stufen
	Hauteur sol-sol	Hauteur de marche	Nombre de marches
	Altura de suelo/suelo	Altura de peldaños	Numero de peldaños
	Altura do chão / chão	Altura do degrau	Número de etapas (degraus)
	Hoogte vloer/vloer	Hoogte trede	Aantal treden
	Etagehøjde	Stigningshøjde	Antal trin
	Golv till golv höjd	Stigningshöjd	Antal steg
	Wysokość kondygnacji od podłogi do podłogi	Wysokość stopnia	Ilość stopni
	Înălțime sol-sol	Înălțime treaptă	Număr trepte
	Výška patra podlaha-podlaha	Výška schodu	Počet nášlapů
	Высота от пола до пола	Шаг ступени	Кол-во ступеней
	Aukšto aukštis	Pakopos aukštis	Pakopų kiekis
	Stáva augstums	Pakāpiena augstums	Pakāpienu skaits
	Korruse kõrgus	Astme kõrgus	Astmete arv
	Višina nadstropja	Višina stopnice	Število stopnic
	Visina kata	Visina stepenice	Broj stepenica
	Výška podlažia	Výška stupňa	Počet stupňov



25

x	I	0
	L	1
	U	2

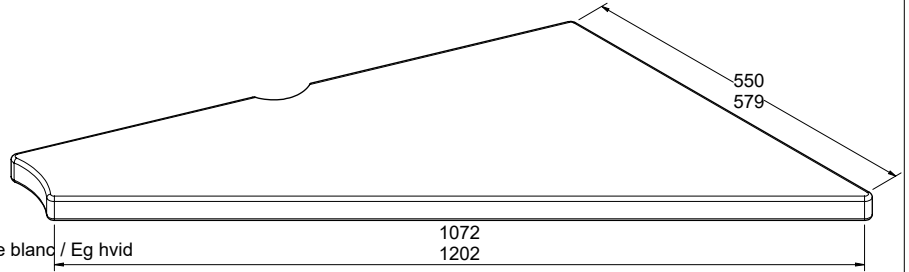
M2-1078409 750 mm Beech / Buche / Beuk / Hêtre / Bøg  
 M2-1078419 750 mm Oak / Eiche / Eik / Chêne / Eg  
 M2-1078429 750 mm Oak white / Eiche weiss / Eik wit / Chêne blanc / Eg hvid  
 M2-1078459 850 mm Beech / Buche / Beuk / Hêtre / Bøg  
 M2-1078469 850 mm Oak / Eiche / Eik / Chêne / Eg  
 M2-1078479 850 mm Oak white / Eiche weiss / Eik wit / Chêne blanc / Eg hvid



24

x	I	0
	L	1
	U	2

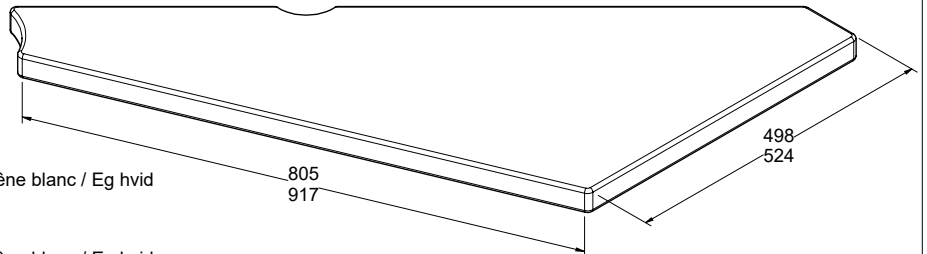
M2-1078408 750 mm Beech / Buche / Beuk / Hêtre / Bøg  
 M2-1078418 750 mm Oak / Eiche / Eik / Chêne / Eg  
 M2-1078428 750 mm Oak white / Eiche weiss / Eik wit / Chêne blanc / Eg hvid  
 M2-1078458 850 mm Beech / Buche / Beuk / Hêtre / Bøg  
 M2-1078468 850 mm Oak / Eiche / Eik / Chêne / Eg  
 M2-1078478 850 mm Oak white / Eiche weiss / Eik wit / Chêne blanc / Eg hvid



23

x	I	0
	L	1
	U	2

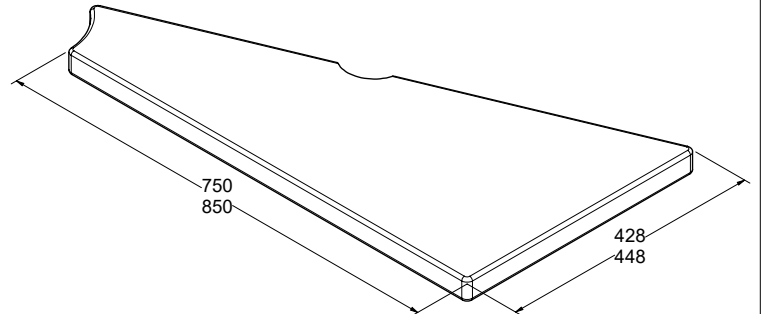
M2-1078407 750 mm Beech / Buche / Beuk / Hêtre / Bøg  
 M2-1078417 750 mm Oak / Eiche / Eik / Chêne / Eg  
 M2-1078427 750 mm Oak white / Eiche weiss / Eik wit / Chêne blanc / Eg hvid  
 M2-1078457 850 mm Beech / Buche / Beuk / Hêtre / Bøg  
 M2-1078467 850 mm Oak / Eiche / Eik / Chêne / Eg  
 M2-1078477 850 mm Oak white / Eiche weiss / Eik wit / Chêne blanc / Eg hvid



22

x	I	0
	L	1
	U	2

M2-1078406 750 mm Beech / Buche / Beuk / Hêtre / Bøg  
 M2-1078416 750 mm Oak / Eiche / Eik / Chêne / Eg  
 M2-1078426 750 mm Oak white / Eiche weiss / Eik wit / Chêne blanc / Eg hvid  
 M2-1078456 850 mm Beech / Buche / Beuk / Hêtre / Bøg  
 M2-1078466 850 mm Oak / Eiche / Eik / Chêne / Eg  
 M2-1078476 850 mm Oak white / Eiche weiss / Eik wit / Chêne blanc / Eg hvid



27

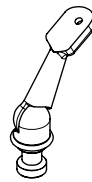


x 6  
 K1-1077150 RAL 7016  
 K1-1077151 RAL 9005  
 K1-1077152 Pearl grey  
 K1-1077153 RAL 9016

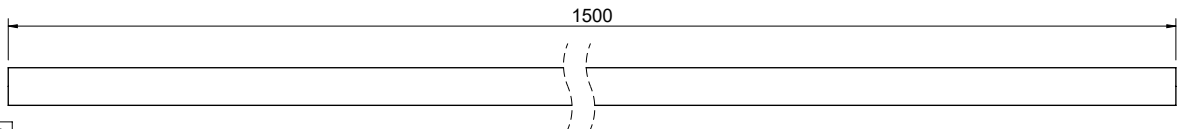
28

		11	12	13	14
x	I	13	13	14	15
	L	13	13	13	13
	U	13	13	13	13

K2-1077195 RAL 7016  
 K2-1077196 RAL 9005  
 K2-1077197 Pearl grey  
 K2-1077198 RAL 9016



32

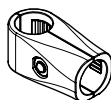


		11	12	13	14
x	I	3	3	3	3
	L	2	2	3	3
	U	2	2	2	2

M2-1078905 Beech / Buche / Beuken / Hêter / Bøg  
 M2-1078915 Oak / Eiche / Bijv / Chêne / Eg  
 M2-1078917 Oak white / Eiche weiß / Bijv wit / Chêne blanc / Eg hvid

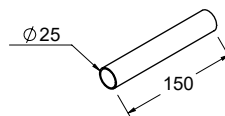
34

x 4  
 K2-1077170 RAL 7016  
 K2-1077171 RAL 9005  
 K2-1077172 Pearl grey  
 K2-1077173 RAL 9016



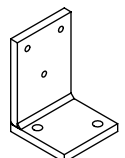
35

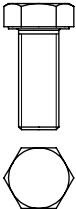
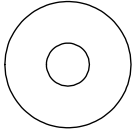



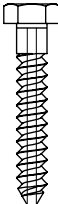
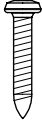

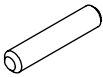

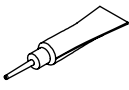
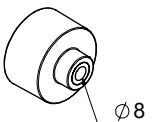






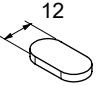

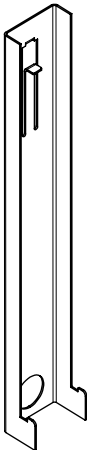
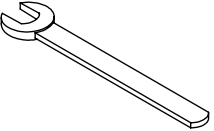
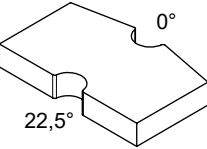
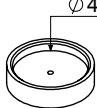
x 2  
 K1-1077165 RAL 7016  
 K1-1077166 RAL 9005  
 K1-1077167 Pearl grey  
 K1-1077168 RAL 9016



36

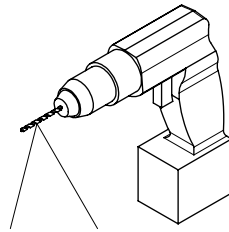
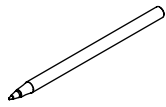
x 4  
 K1-1077295 RAL 7016  
 K1-1077296 RAL 9005  
 K1-1077297 Pearl grey  
 K1-1077298 RAL 9016



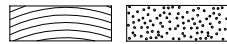
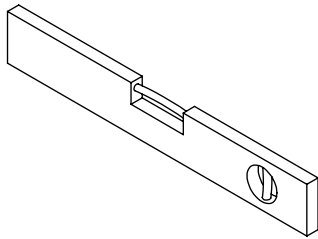
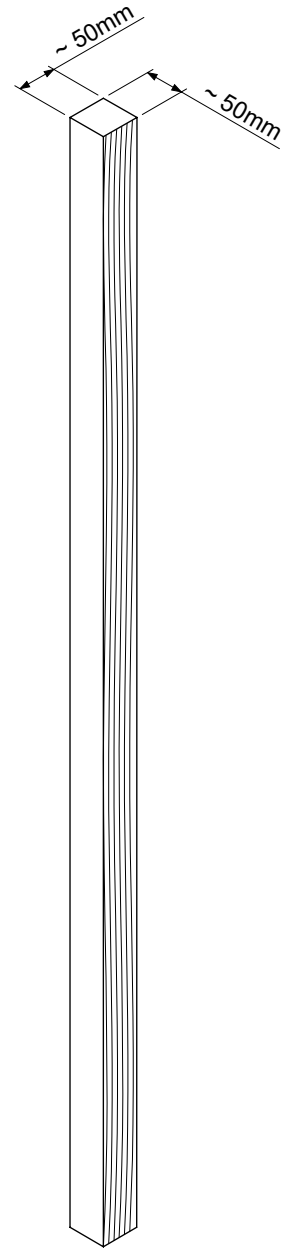
<p>37</p>  <table border="1" data-bbox="76 185 288 241"> <tr><td></td><td>11</td><td>12</td><td>13</td><td>14</td></tr> <tr><td>x</td><td>11</td><td>12</td><td>13</td><td>14</td></tr> </table> <p>R1-63500 M16 x 40</p>		11	12	13	14	x	11	12	13	14	<p>38</p>  <table border="1" data-bbox="440 185 652 241"> <tr><td></td><td>11</td><td>12</td><td>13</td><td>14</td></tr> <tr><td>x</td><td>11</td><td>12</td><td>13</td><td>14</td></tr> </table> <p>K3-04053 Ø50 / Ø17</p>		11	12	13	14	x	11	12	13	14	<p>39</p>  <p>x 1 R2-86074 M16</p>	<p>40</p>  <p>x 17 K3-08001 Ø12 x 60</p>													
	11	12	13	14																																
x	11	12	13	14																																
	11	12	13	14																																
x	11	12	13	14																																
<p>41</p>  <p>x 17 K3-04001 Ø10</p>	<p>42</p>  <p>x 17 K3-06003 Ø10 x 60</p>	<p>44</p>  <table border="1" data-bbox="798 416 1010 472"> <tr><td></td><td>11</td><td>12</td><td>13</td><td>14</td></tr> <tr><td>x</td><td>100</td><td>106</td><td>112</td><td>118</td></tr> </table> <p>R1-63267 Ø6 x 35 TX30</p>		11	12	13	14	x	100	106	112	118	<p>45</p>  <table border="1" data-bbox="1161 367 1385 472"> <tr><td></td><td>11</td><td>12</td><td>13</td><td>14</td></tr> <tr><td></td><td>I</td><td>13</td><td>13</td><td>14</td><td>15</td></tr> <tr><td>x</td><td>L</td><td>13</td><td>13</td><td>13</td><td>13</td></tr> <tr><td></td><td>U</td><td>13</td><td>13</td><td>13</td><td>13</td></tr> </table> <p>K3-05002 M6 x 8</p>		11	12	13	14		I	13	13	14	15	x	L	13	13	13	13		U	13	13	13	13
	11	12	13	14																																
x	100	106	112	118																																
	11	12	13	14																																
	I	13	13	14	15																															
x	L	13	13	13	13																															
	U	13	13	13	13																															
<p>47</p>  <p>x 8 R3-91415 Ø8 x 40</p>	<p>48</p>  <table border="1" data-bbox="440 600 668 705"> <tr><td></td><td>11</td><td>12</td><td>13</td><td>14</td></tr> <tr><td></td><td>I</td><td>13</td><td>13</td><td>14</td><td>15</td></tr> <tr><td>x</td><td>L</td><td>13</td><td>13</td><td>13</td><td>13</td></tr> <tr><td></td><td>U</td><td>13</td><td>13</td><td>13</td><td>13</td></tr> </table> <p>K3-06008 Ø5 x 25</p>		11	12	13	14		I	13	13	14	15	x	L	13	13	13	13		U	13	13	13	13	<p>49</p>  <p>Strong glue Superkleber Seconde lijm Colle forte Superlim</p> <p>x 1 K3-90001</p>	<p>50</p>  <p>Ø8</p> <p>x 1 K1-01810</p>										
	11	12	13	14																																
	I	13	13	14	15																															
x	L	13	13	13	13																															
	U	13	13	13	13																															
<p>51</p>  <p>x 2 K3-06022 Ø5 x 35 TX25</p>	<p>52</p>  <table border="1" data-bbox="440 828 668 934"> <tr><td></td><td>11</td><td>12</td><td>13</td><td>14</td></tr> <tr><td></td><td>I</td><td>48</td><td>48</td><td>52</td><td>56</td></tr> <tr><td>x</td><td>L</td><td>48</td><td>48</td><td>48</td><td>48</td></tr> <tr><td></td><td>U</td><td>48</td><td>48</td><td>48</td><td>48</td></tr> </table> <p>K3-06130 Ø6 x 30 TX30</p>		11	12	13	14		I	48	48	52	56	x	L	48	48	48	48		U	48	48	48	48	<p>53</p>  <p>x 4 K3-06027 Ø5 x 50</p>	<p>54</p>  <p>x 4 K3-08002 Ø8 x 40</p>										
	11	12	13	14																																
	I	48	48	52	56																															
x	L	48	48	48	48																															
	U	48	48	48	48																															
<p>55</p>  <table border="1" data-bbox="76 1059 288 1160"> <tr><td></td><td>11</td><td>12</td><td>13</td><td>14</td></tr> <tr><td></td><td>I</td><td>50</td><td>50</td><td>54</td><td>58</td></tr> <tr><td>x</td><td>L</td><td>50</td><td>50</td><td>50</td><td>50</td></tr> <tr><td></td><td>U</td><td>50</td><td>50</td><td>50</td><td>50</td></tr> </table> <p>K3-05056 M6 x 5</p>		11	12	13	14		I	50	50	54	58	x	L	50	50	50	50		U	50	50	50	50	<p>56</p>  <p>x 2 K3-08006 Ø6 x 40</p>	<p>58</p>  <p>12</p> <p>x 8 R3-20590</p>	<p>59</p>  <p>Wood glue Holzkleber Colle à bois Trælim Houtlijm</p> <p>x 1 K3-90005</p>										
	11	12	13	14																																
	I	50	50	54	58																															
x	L	50	50	50	50																															
	U	50	50	50	50																															
<p>60</p>  <p>x 1 H2-63530</p>	<p>61</p>  <p>x 1 R1-63501 24 mm</p>	<p>62</p>  <p>0° 22,5°</p> <p>x 1 H3-35920</p>	<p>63</p>  <p>Ø40,2</p> <p>x 1 K1-01620</p>																																	



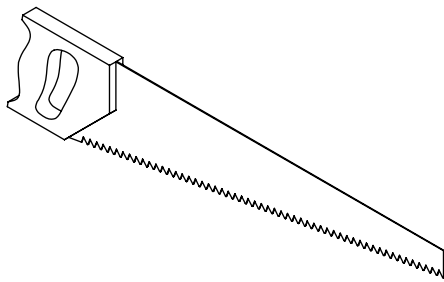
Tools not included!  
Werkzeuge nicht enthalten!  
Gereedschap niet inbegrepen!  
Outils non inclus!  
Værktøj ikke inkluderet!



TX25  
TX30  
PZ2



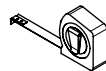
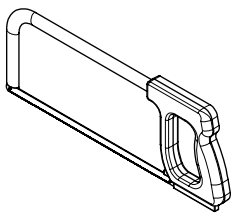
∅ 3mm ∅ 6mm  
∅ 4mm ∅ 12mm  
∅ 6mm  
∅ 8mm  
∅ 10mm

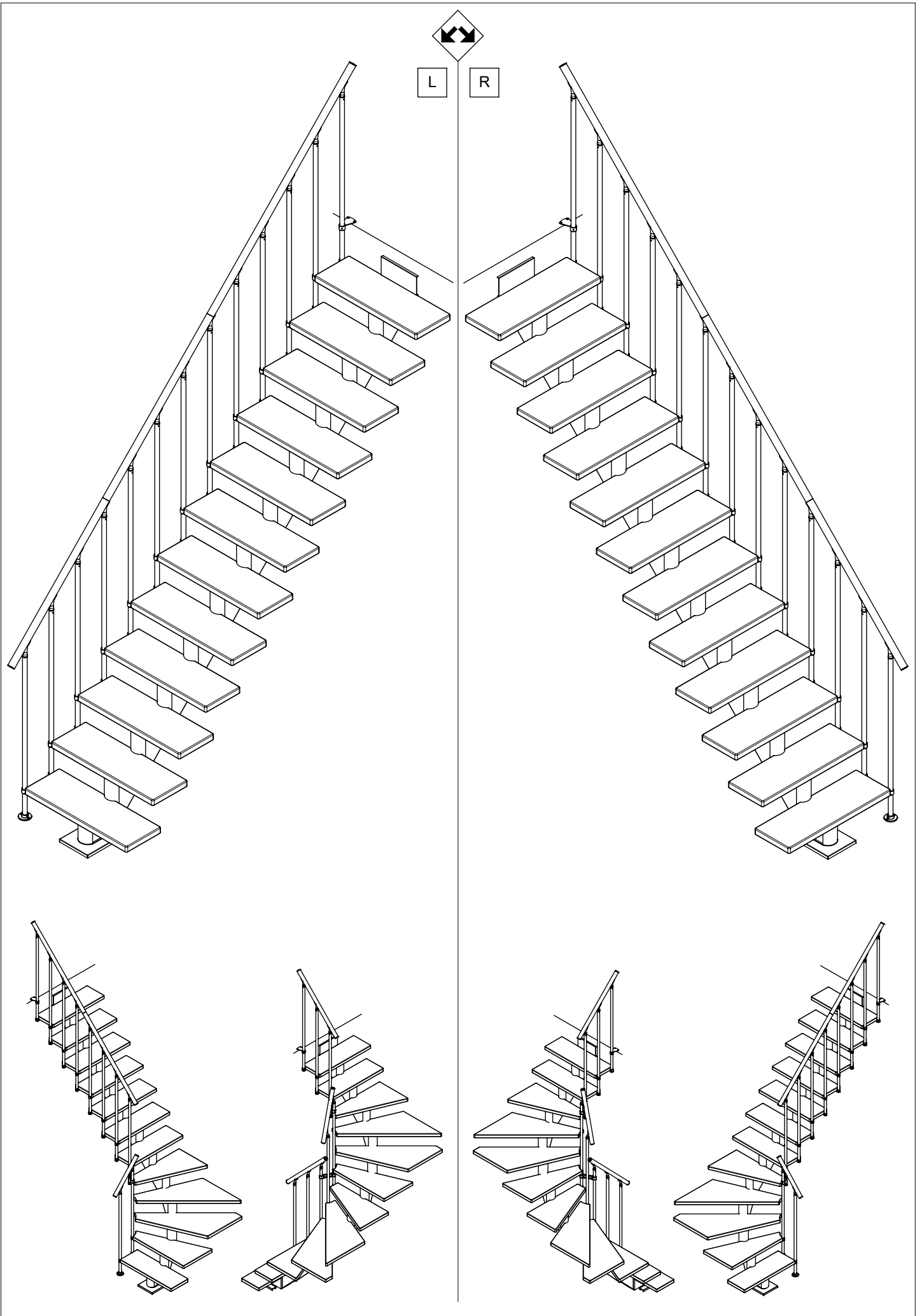


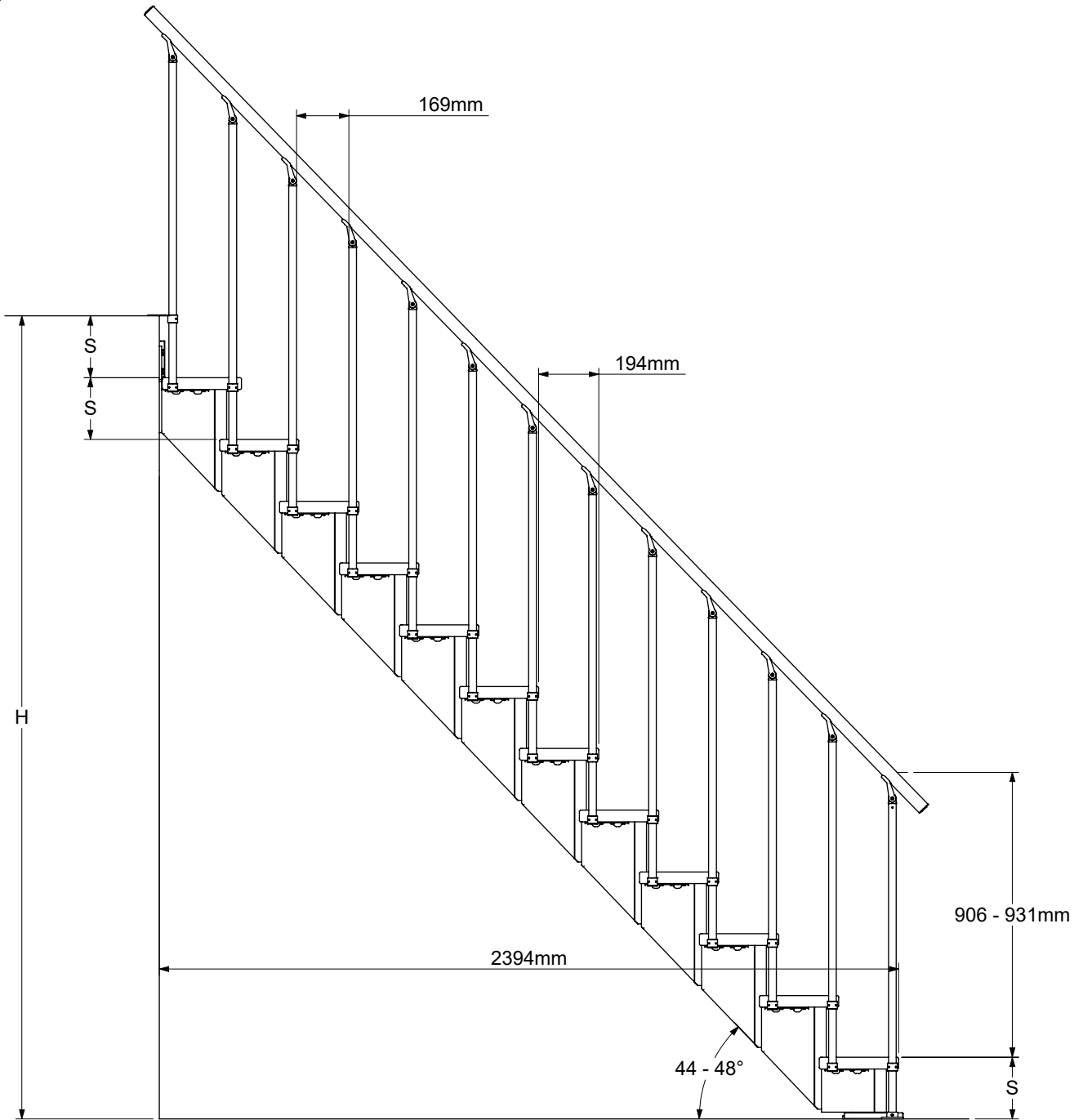
3mm  
4mm  
6mm



16mm







$$S = \frac{H}{T + 1}$$

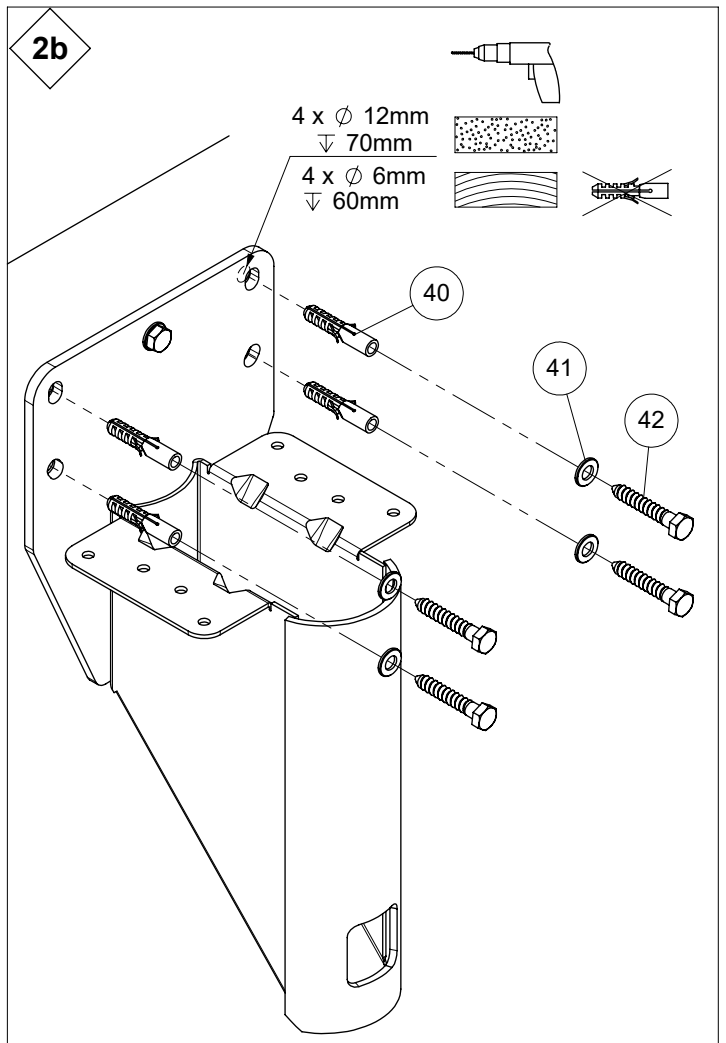
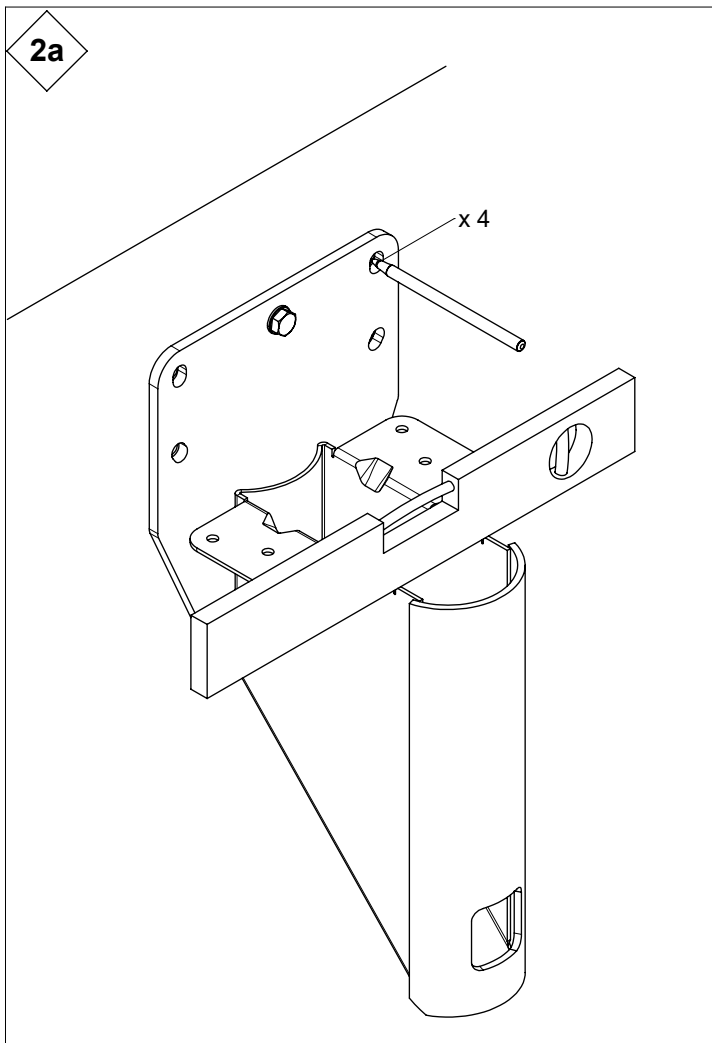
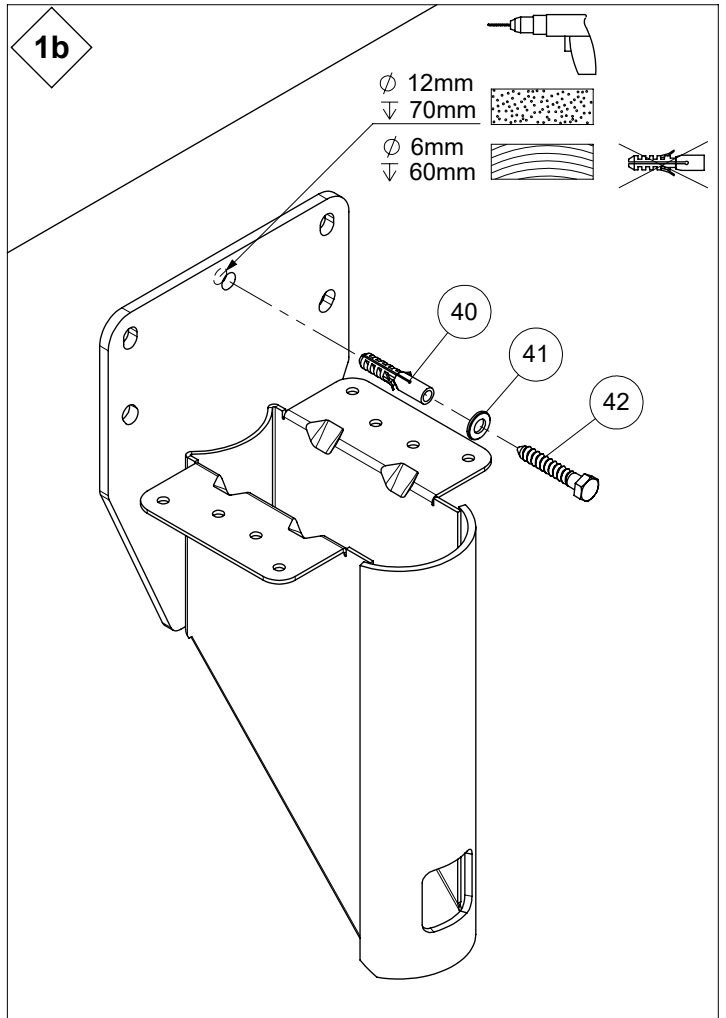
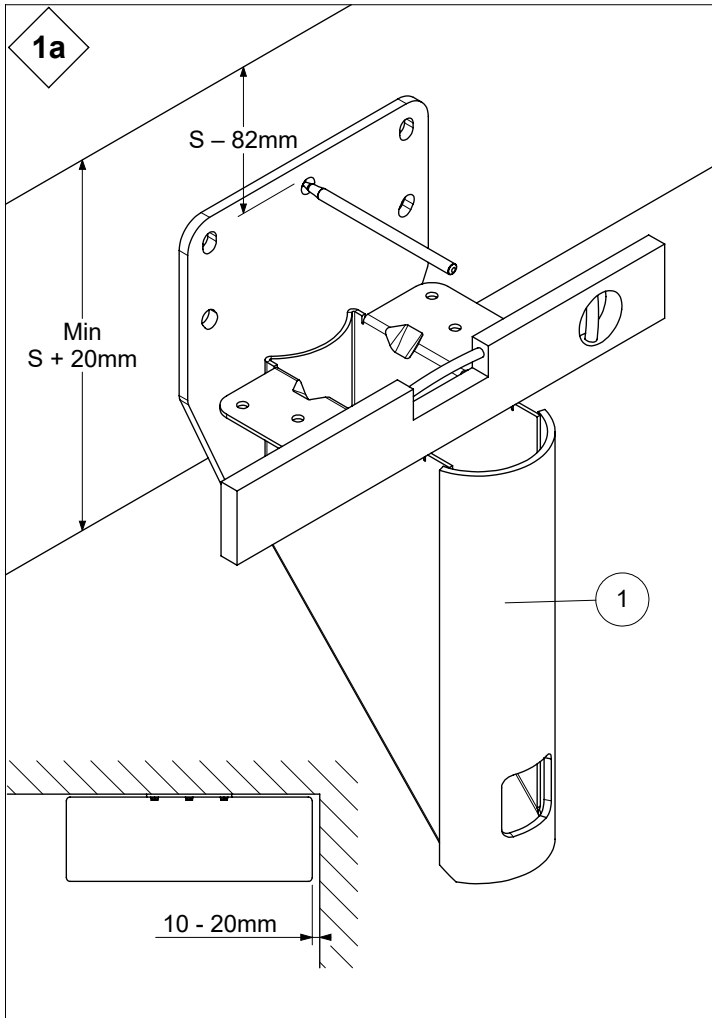
min S	max S
185 mm	215 mm

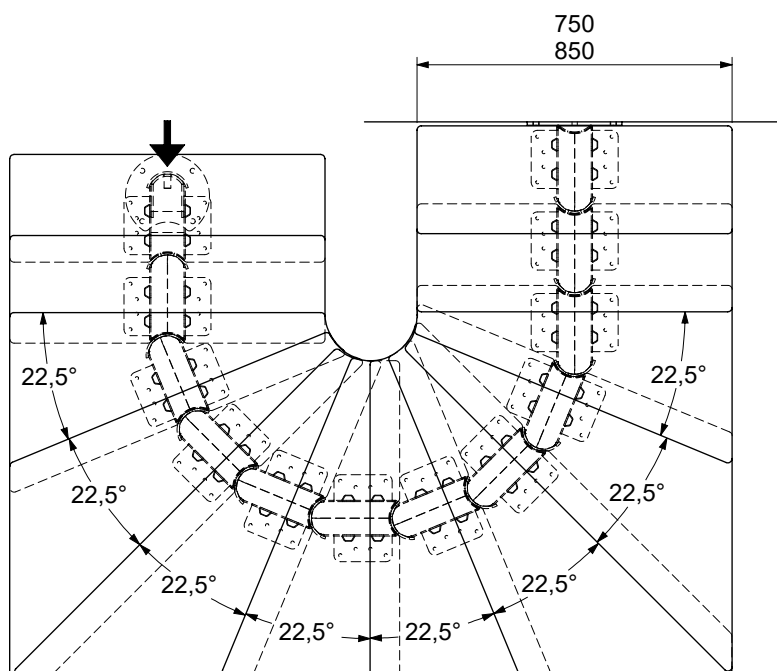
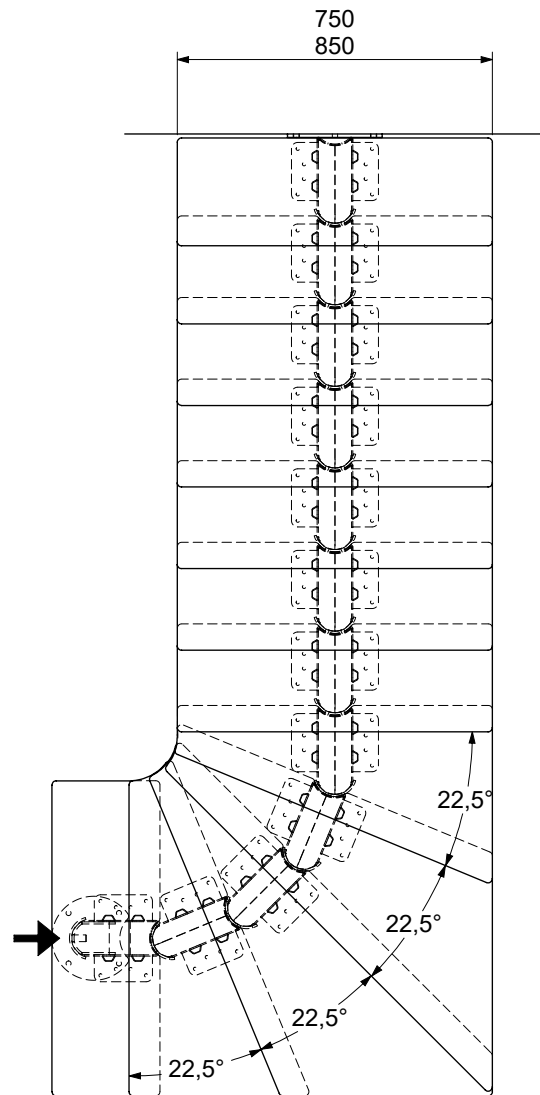
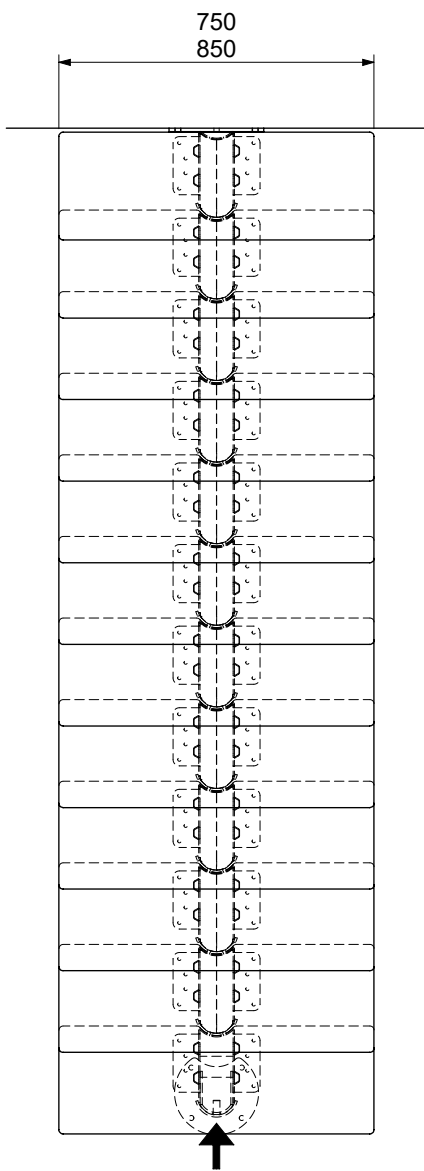
Example / Beispiel / Voorbeeld / Example / Eksempel:  
 H: 2400 mm, T: 11 st(pcs)

$$S = \frac{2400 \text{ mm}}{11 + 1} = 200 \text{ mm} \quad \text{👍}$$

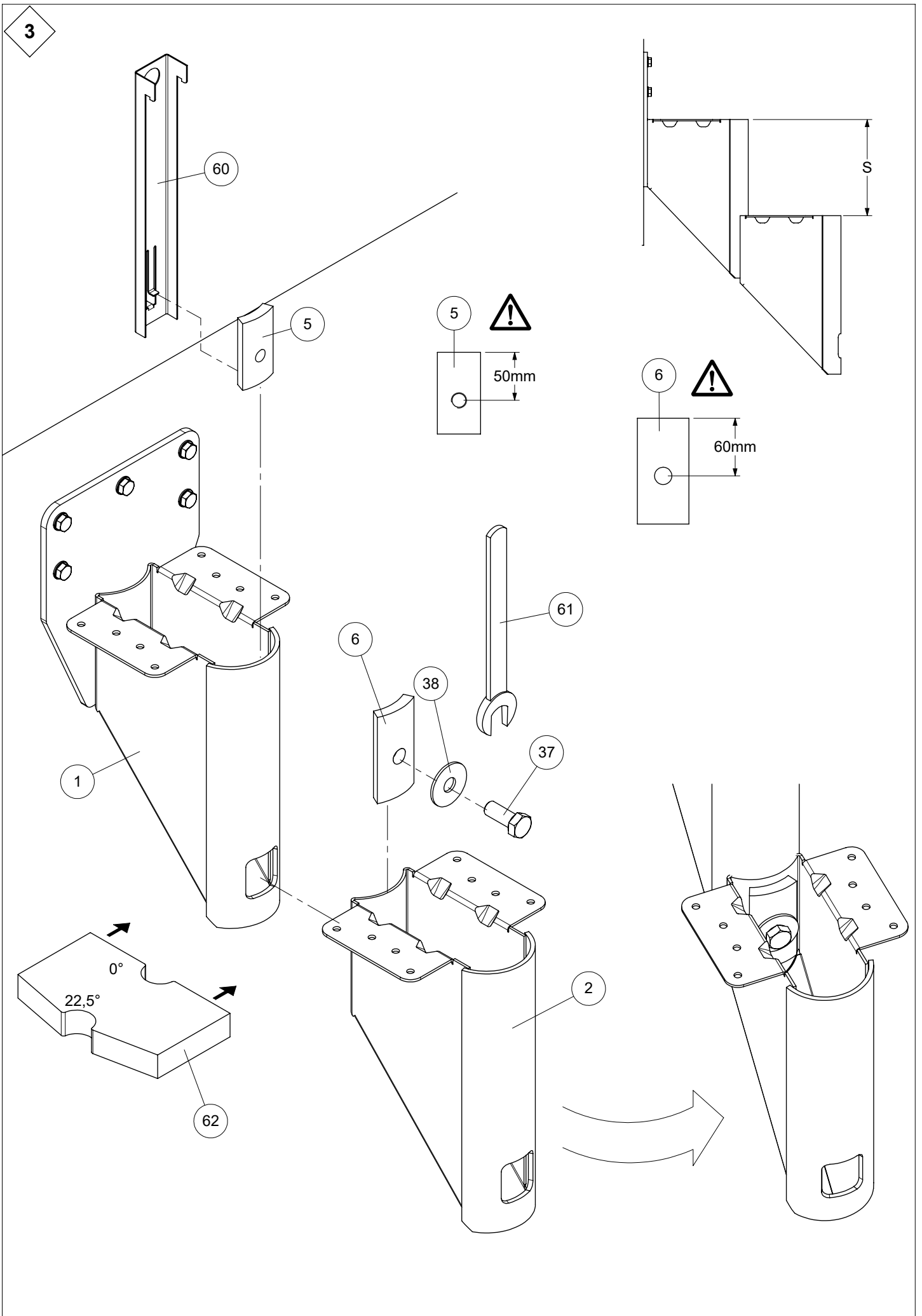
T	min H	max H
9	1850 mm	2150 mm
10	2035 mm	2365 mm
11	2220 mm	2580 mm
12	2405 mm	2795 mm
13	2590 mm	3010 mm
14	2775 mm	3225 mm

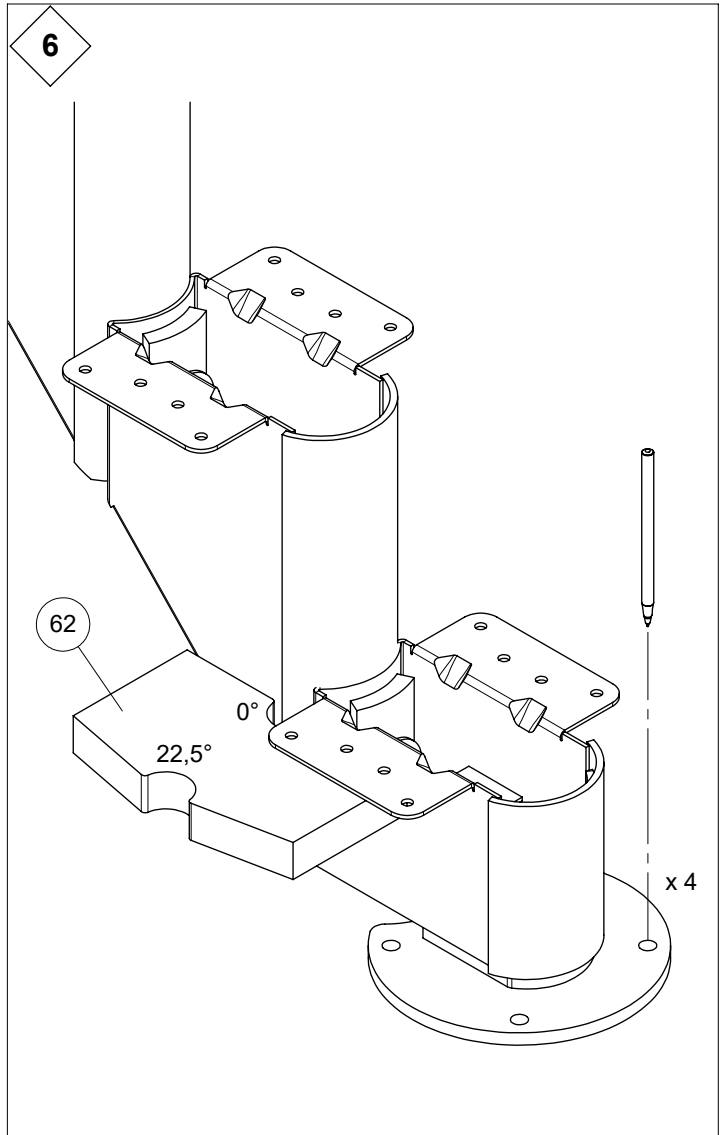
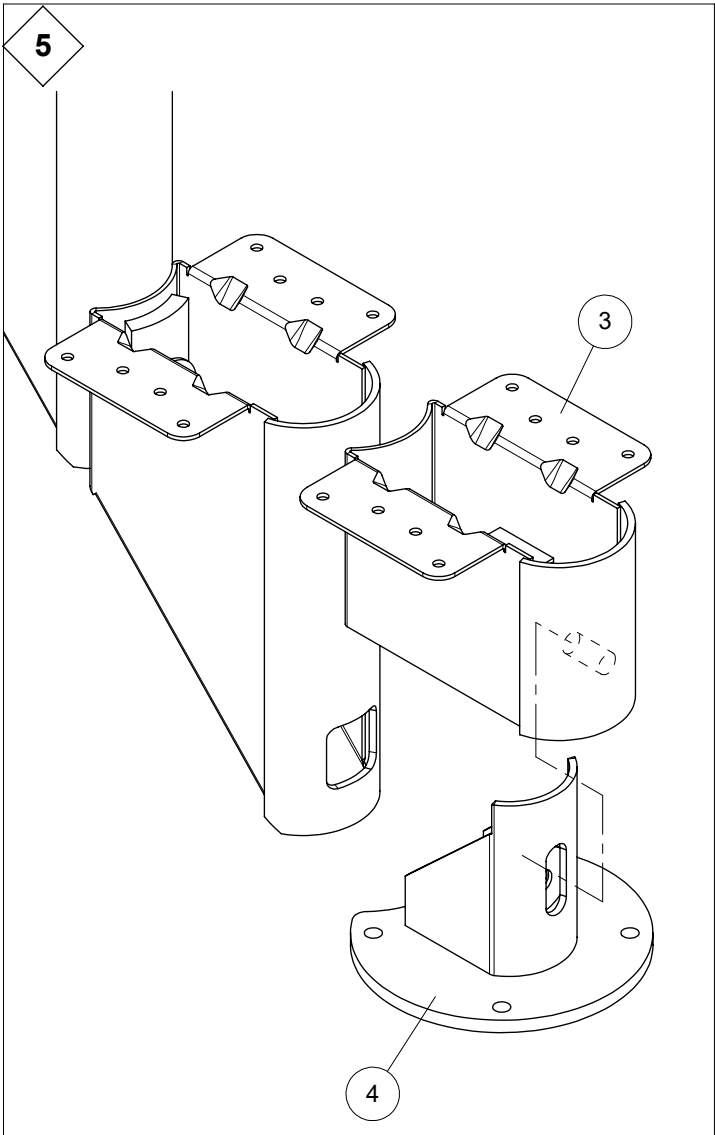
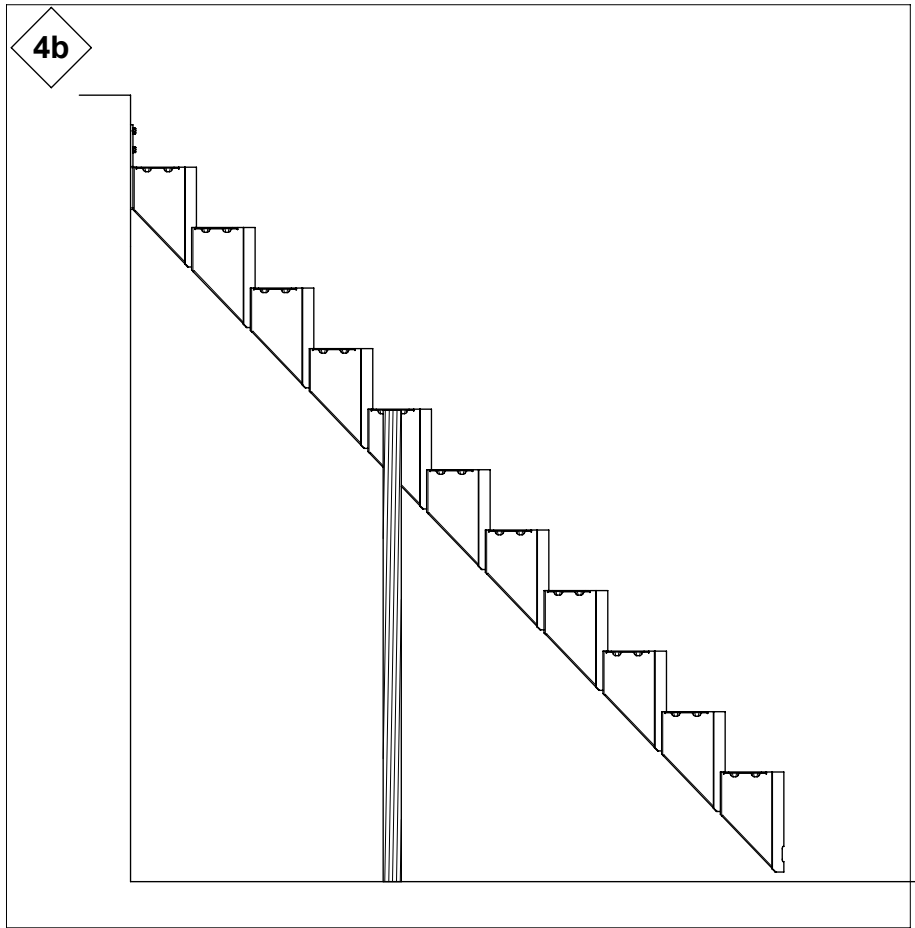
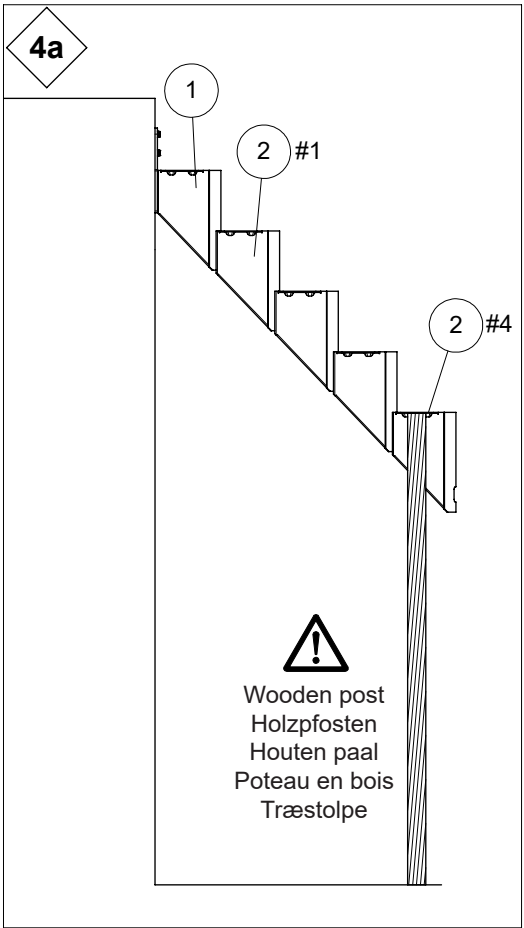




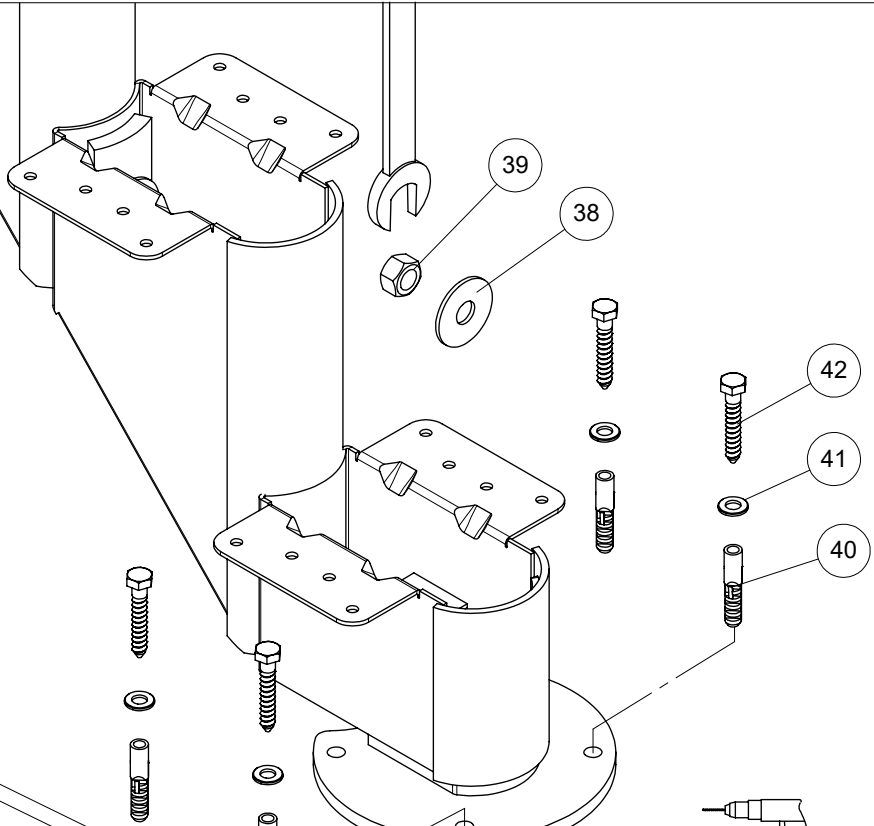
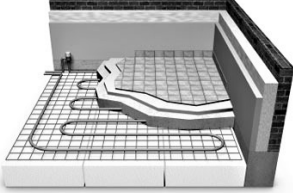


3

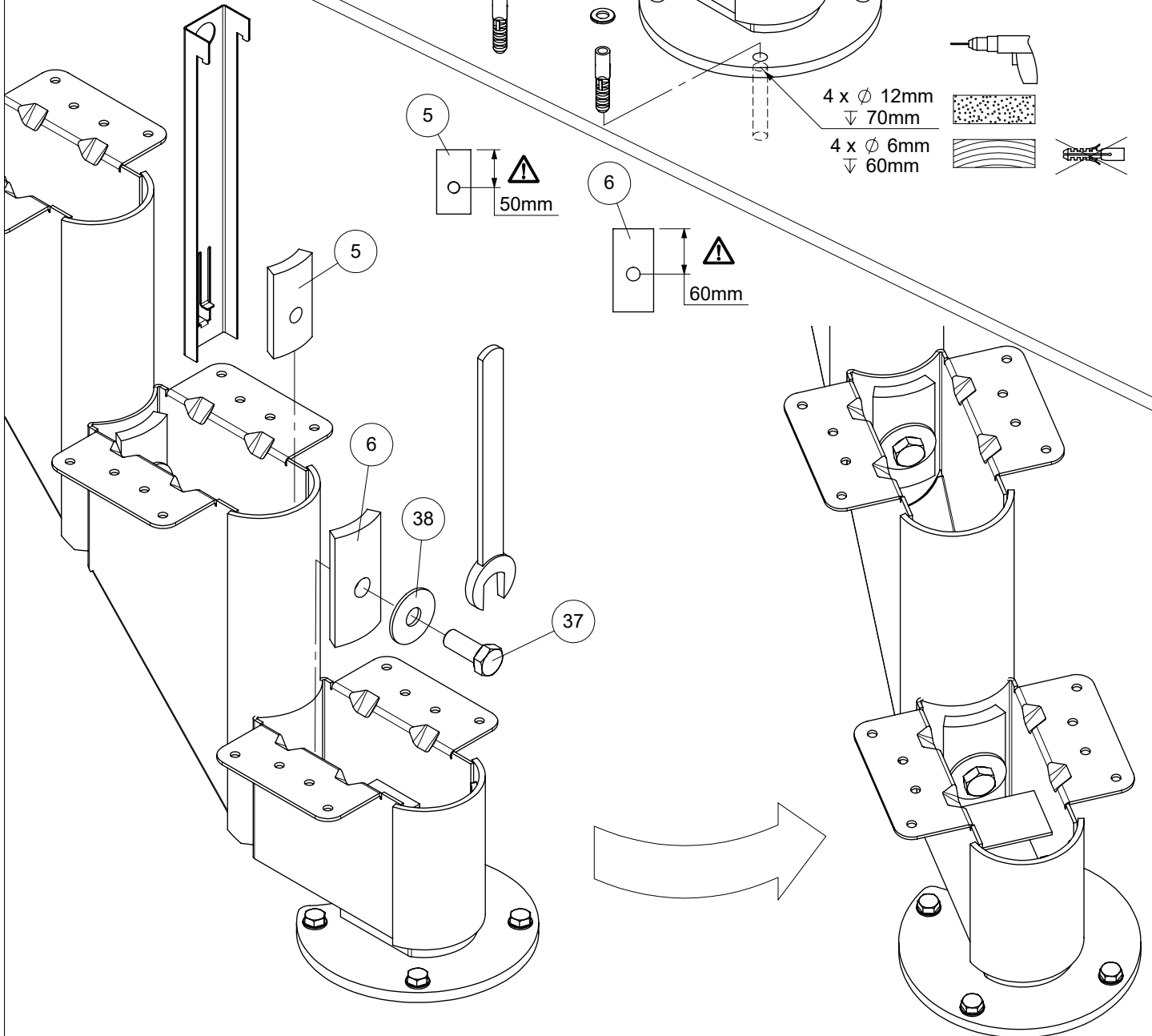


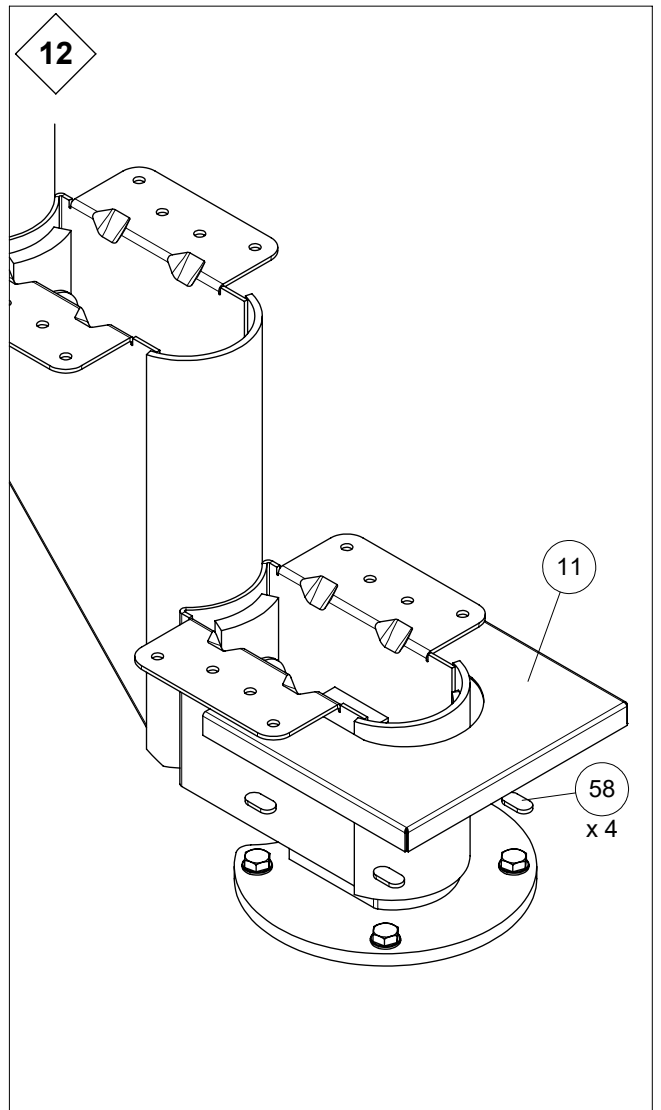
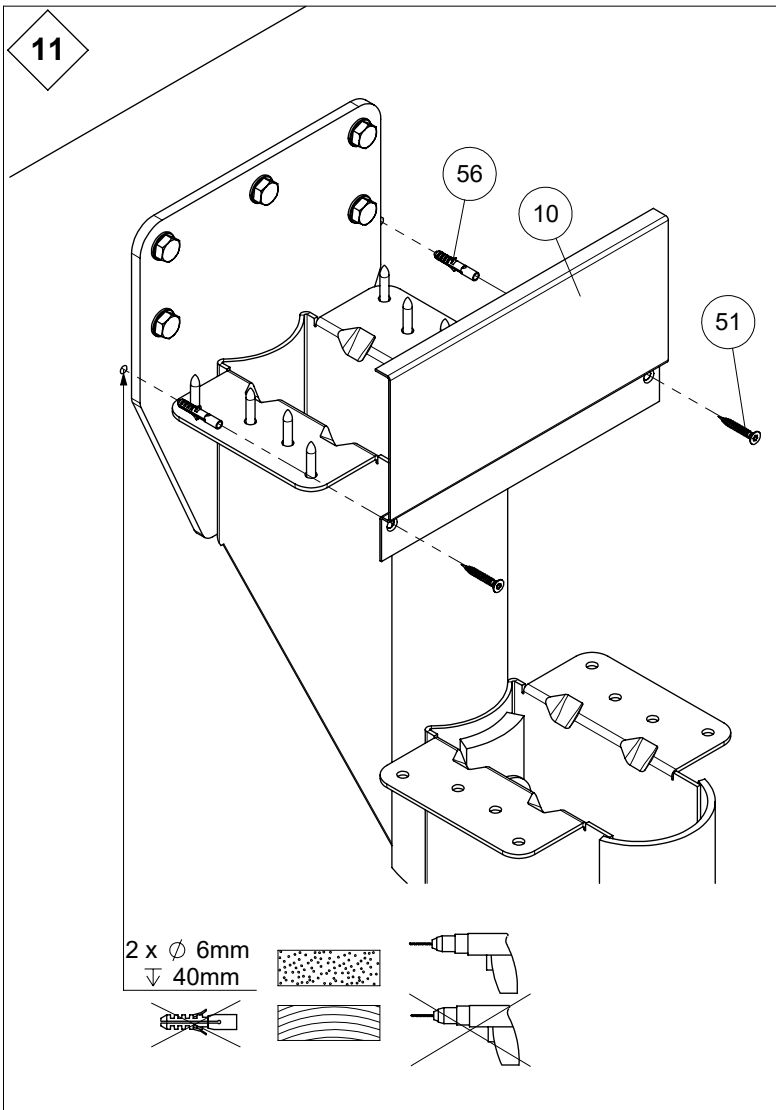
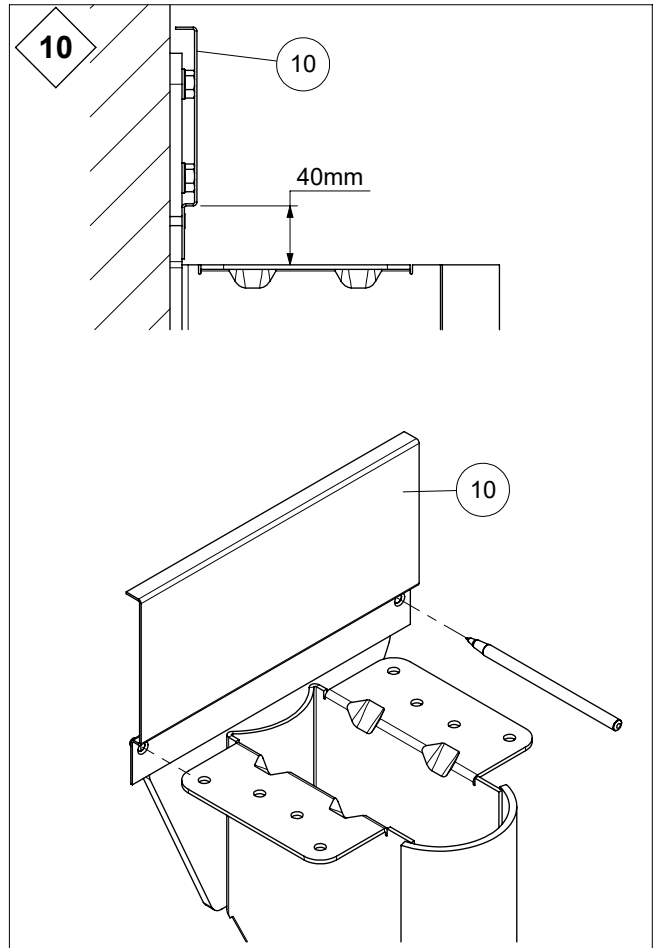
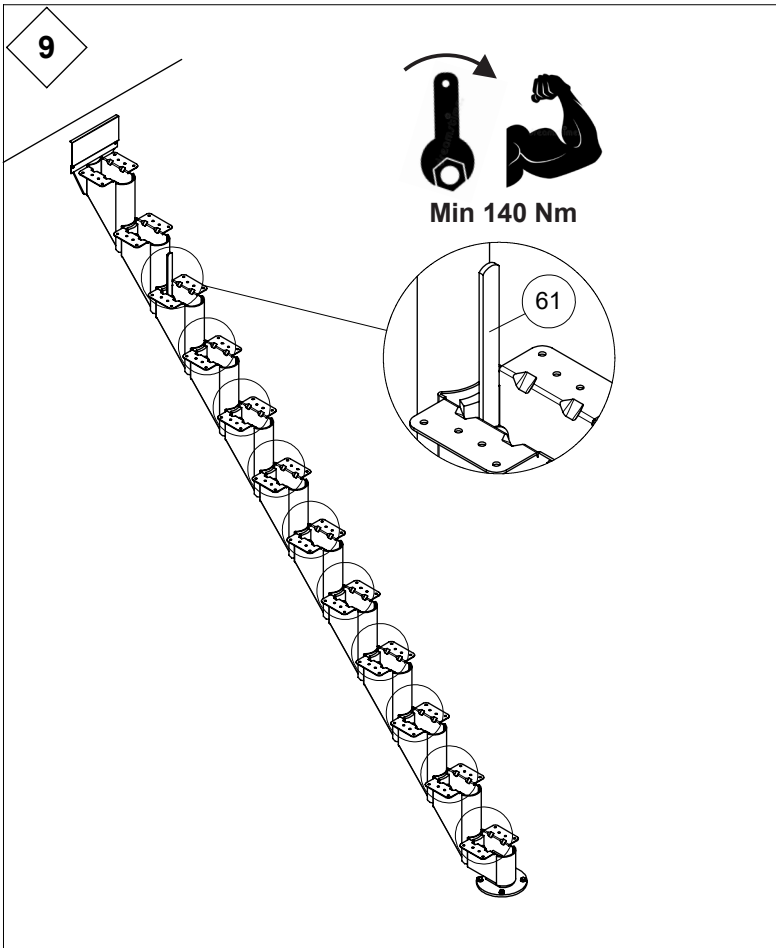


7

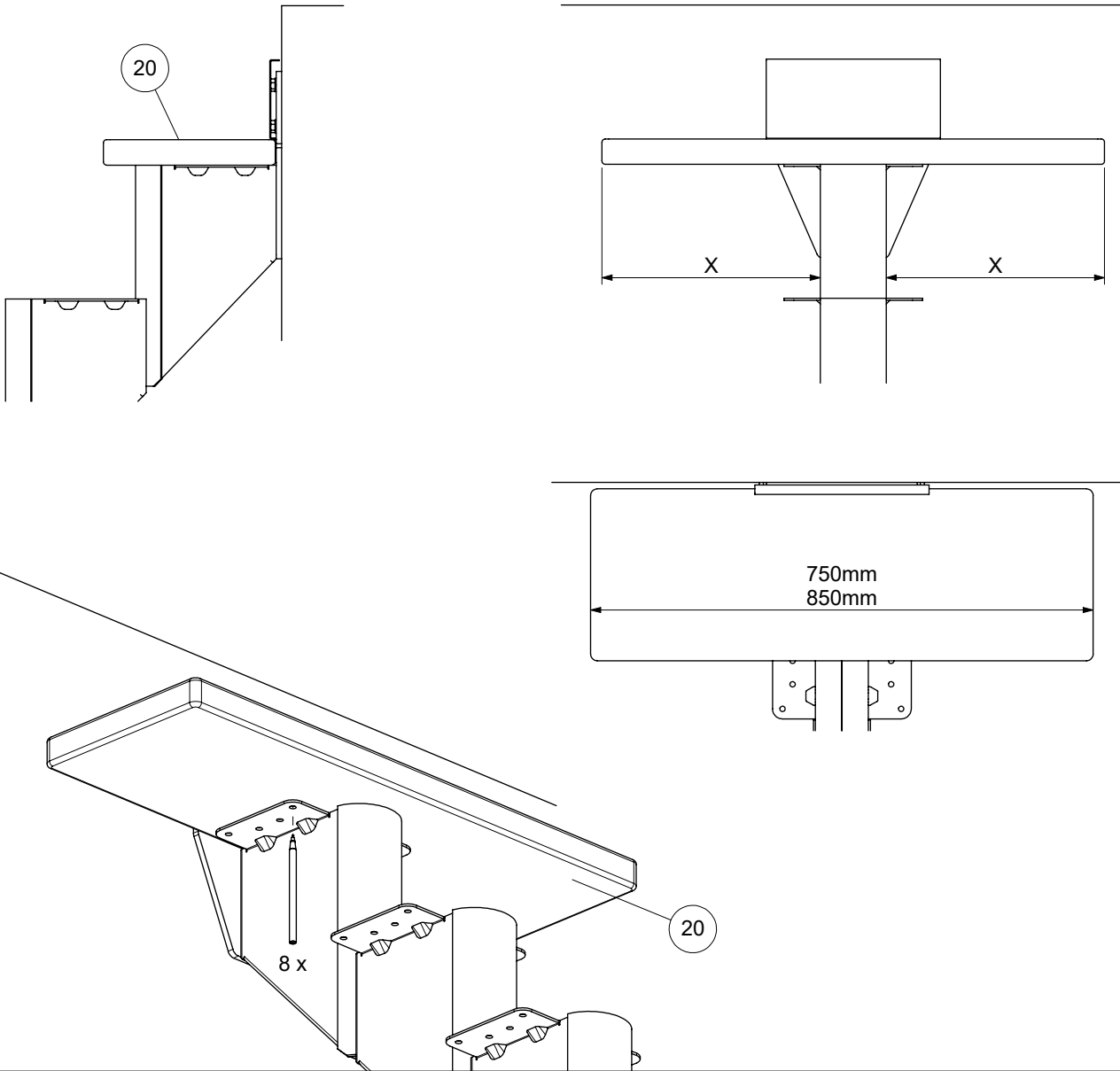


8

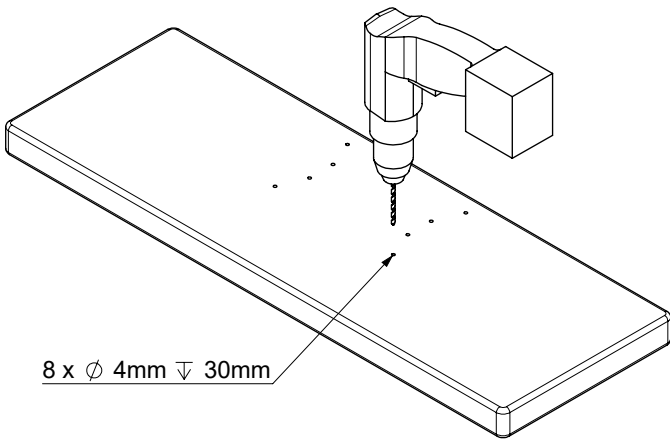




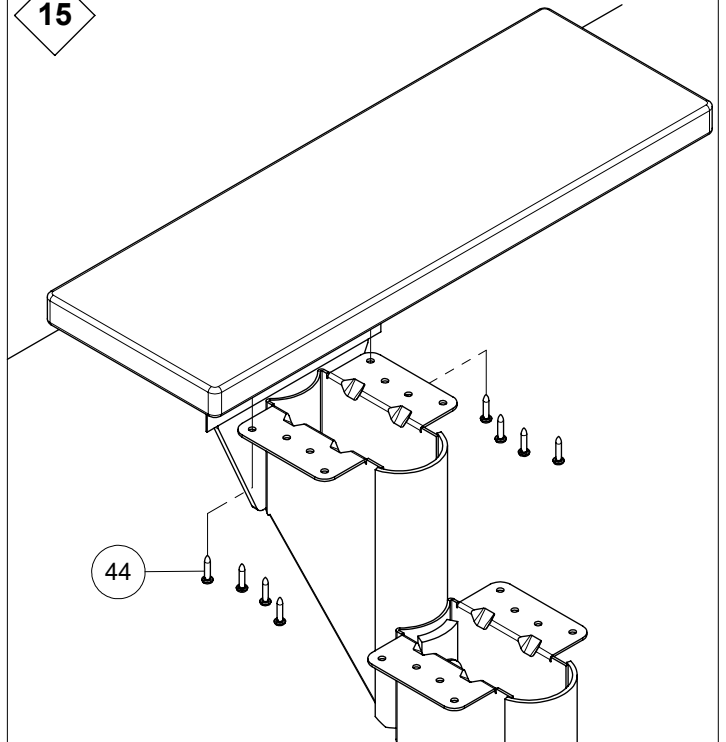
13

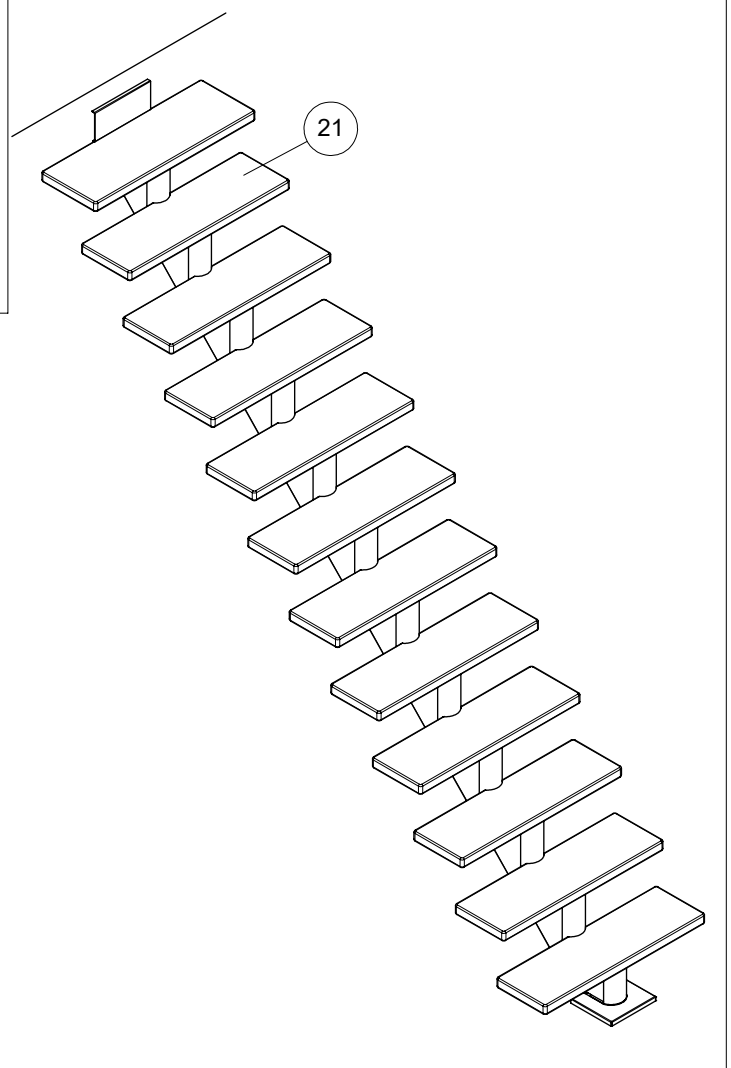
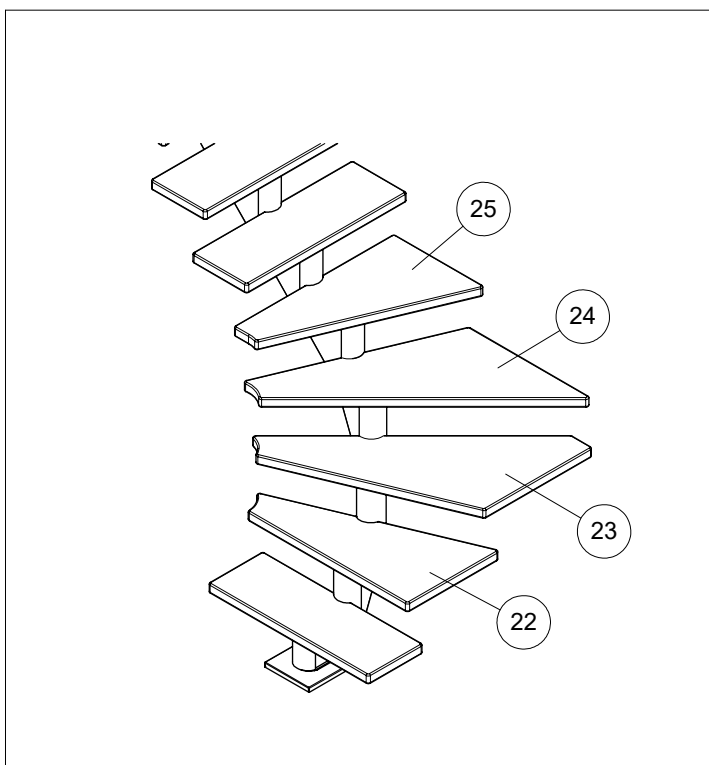
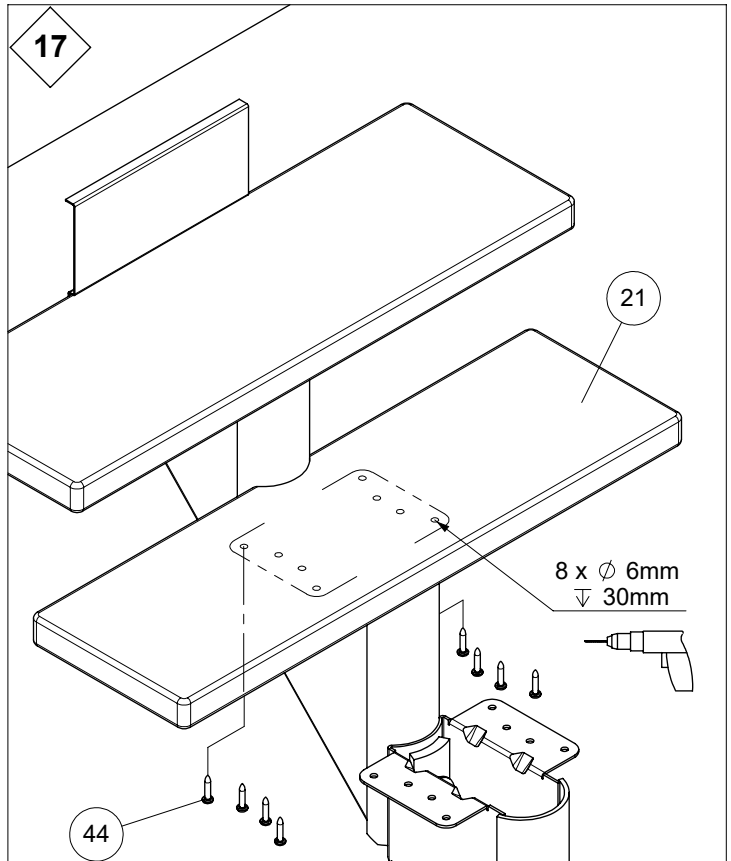
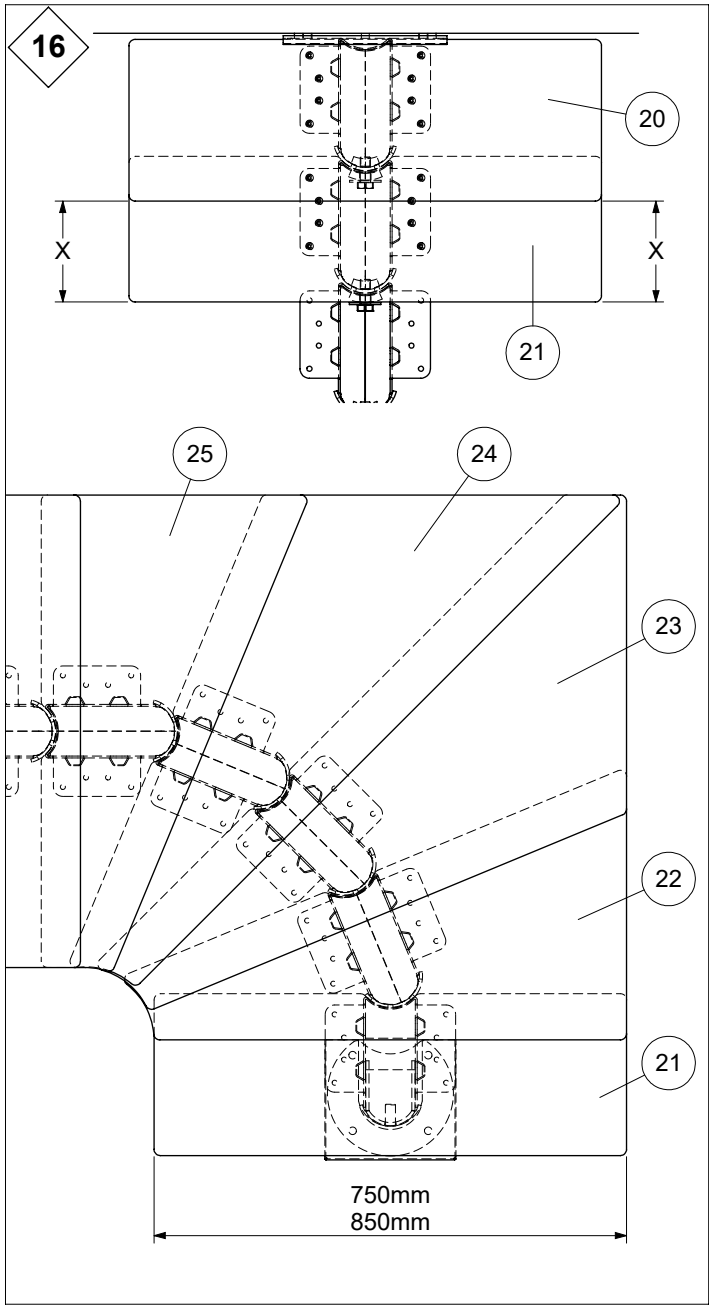


14



15







18

<b>I</b>	Mounting of wallbrackets is optional Die Montage von Wandhalterungen ist optional Montage van muurbeugels is optioneel Le montage de supports muraux est facultatif Montering af vægbeslag er valgfri
<b>L</b>	2 wall brackets in position A or B 2 Wandhalterungen in der Position A oder B 2 muurbeugels in positie A of B 2 supports mural dans la position A ou B 2 vægbeslag i position A eller B
<b>U</b>	4 wall brackets in position A or B 4 Wandhalterungen in der Position A oder B 4 muurbeugels in positie A of B 4 supports mural dans la position A ou B 4 vægbeslag i position A eller B



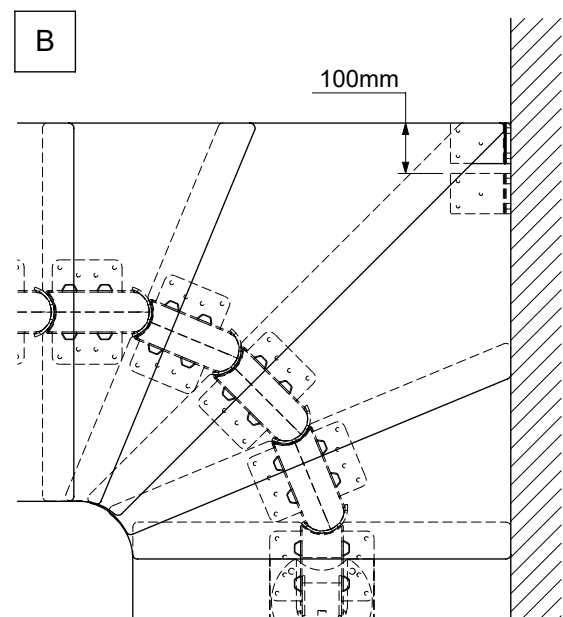
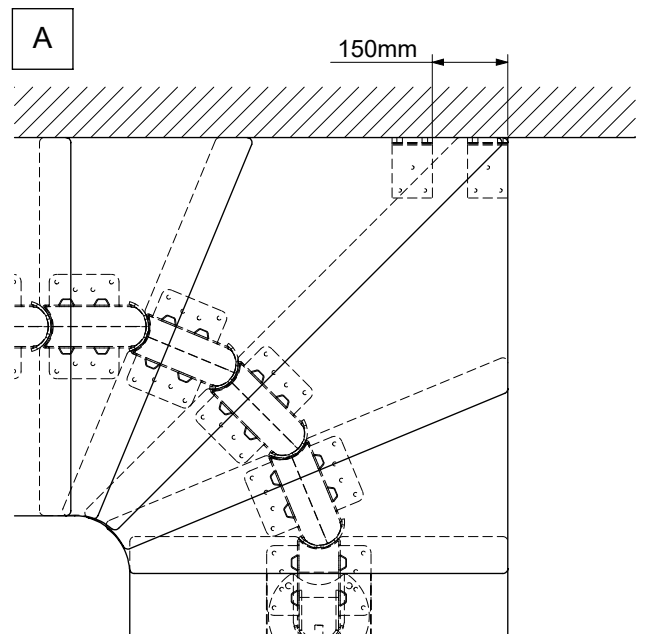
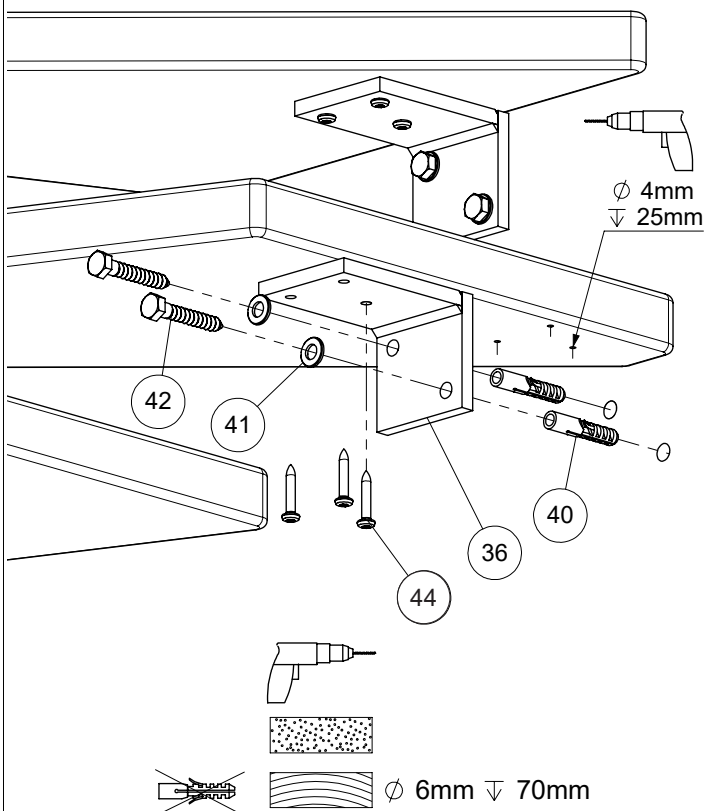
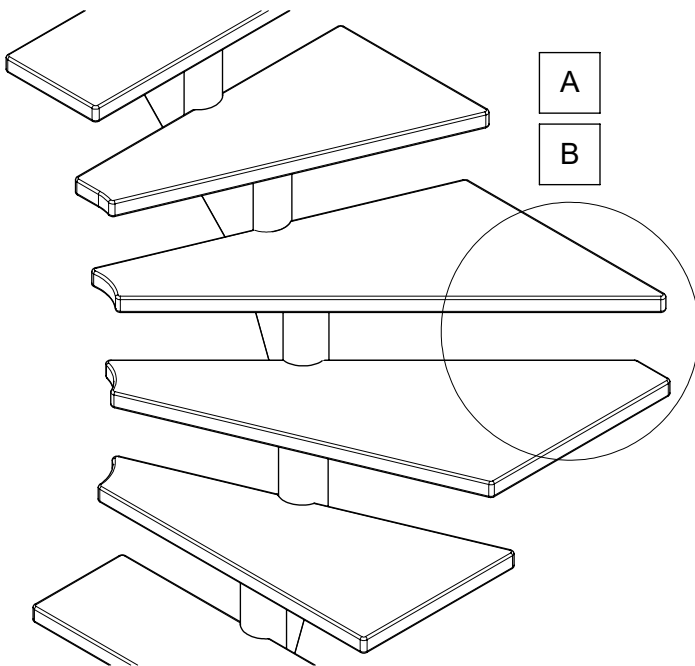
2 wall brackets must be mounted on a 1/4 turn or 4 on a 1/2 turn staircase.

2 Wandhalterungen müssen auf einer 1/4-gewendelten oder 4 auf einer 1/2-gewendelten Treppe montiert werden.

2 muurbeugels moeten gemonteerd worden op een 1/4 draai of 4 op een 1/2 draai trap.

2 supports mural doivent être monté sur un escalier 1/4 ou 4 sur un escalier 1/2 tournant.

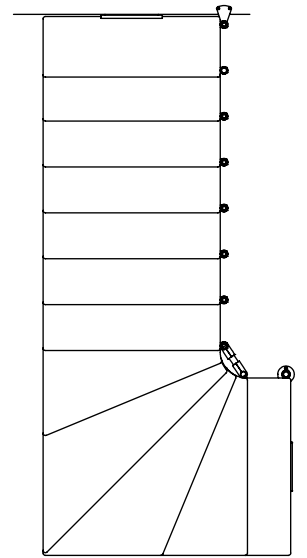
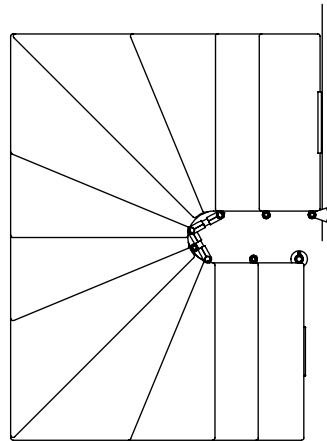
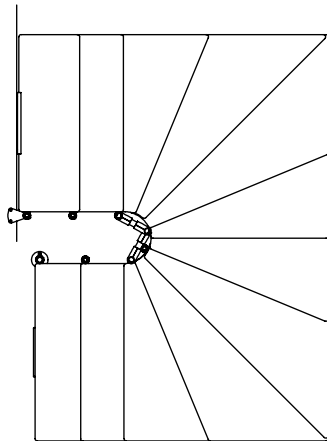
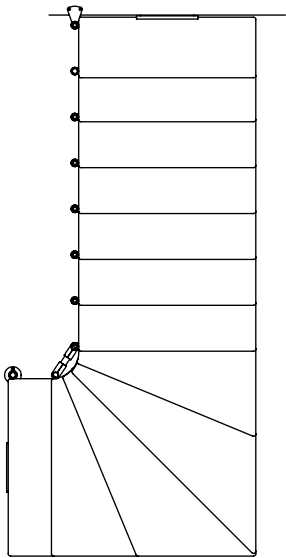
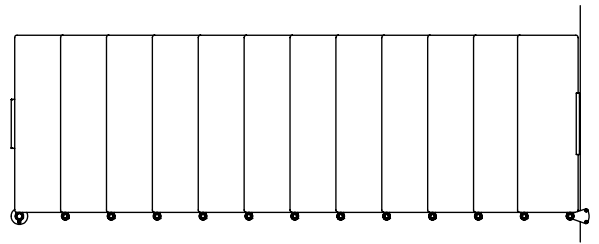
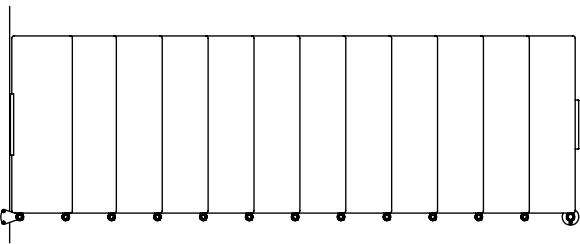
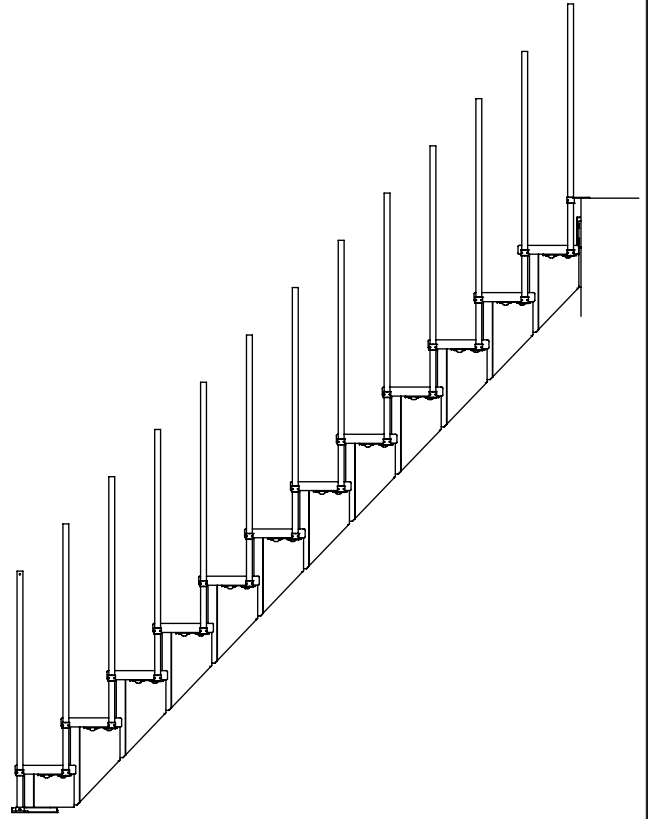
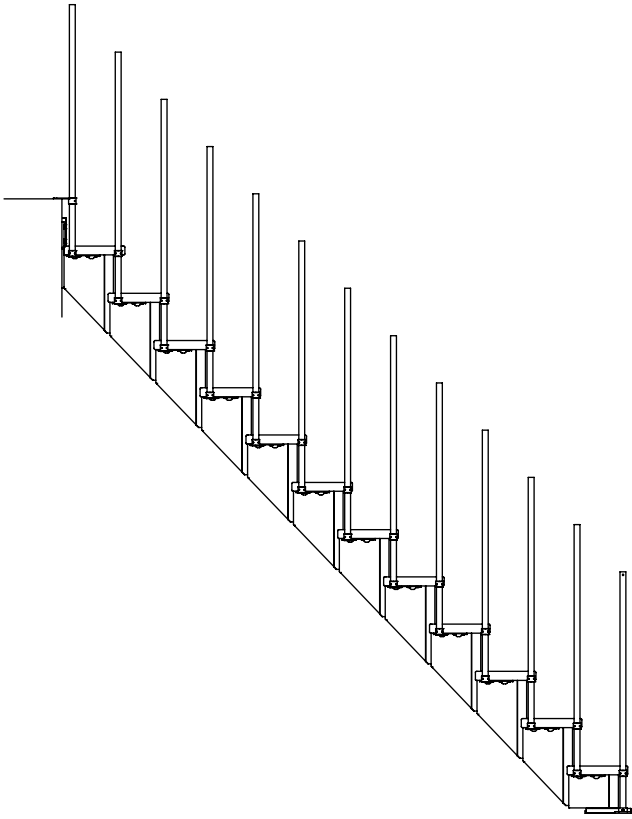
2 vægvingler er påkrævet i en 1/4-svings- eller 4 i en 1/2-svings-trappe.



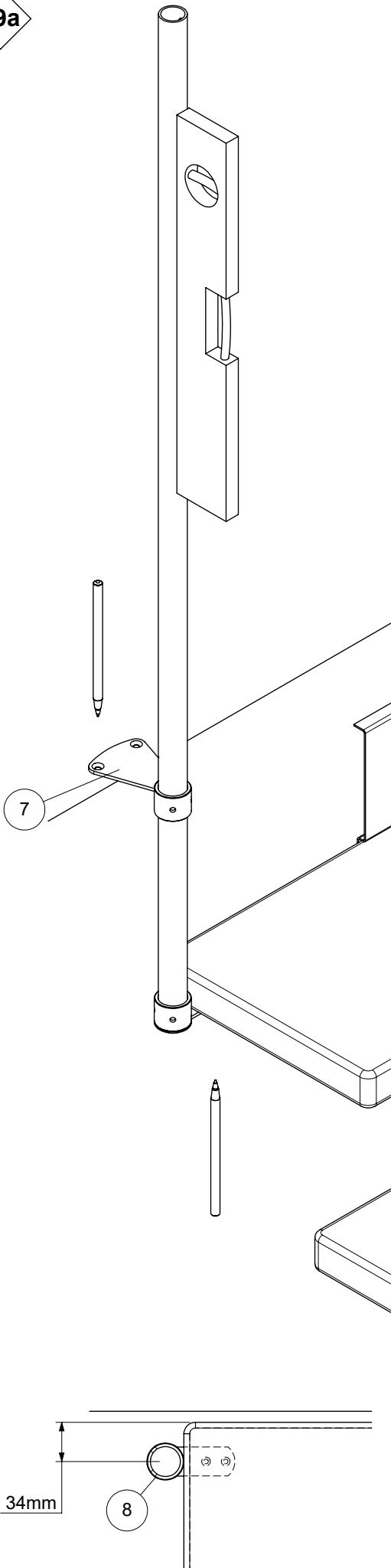


L

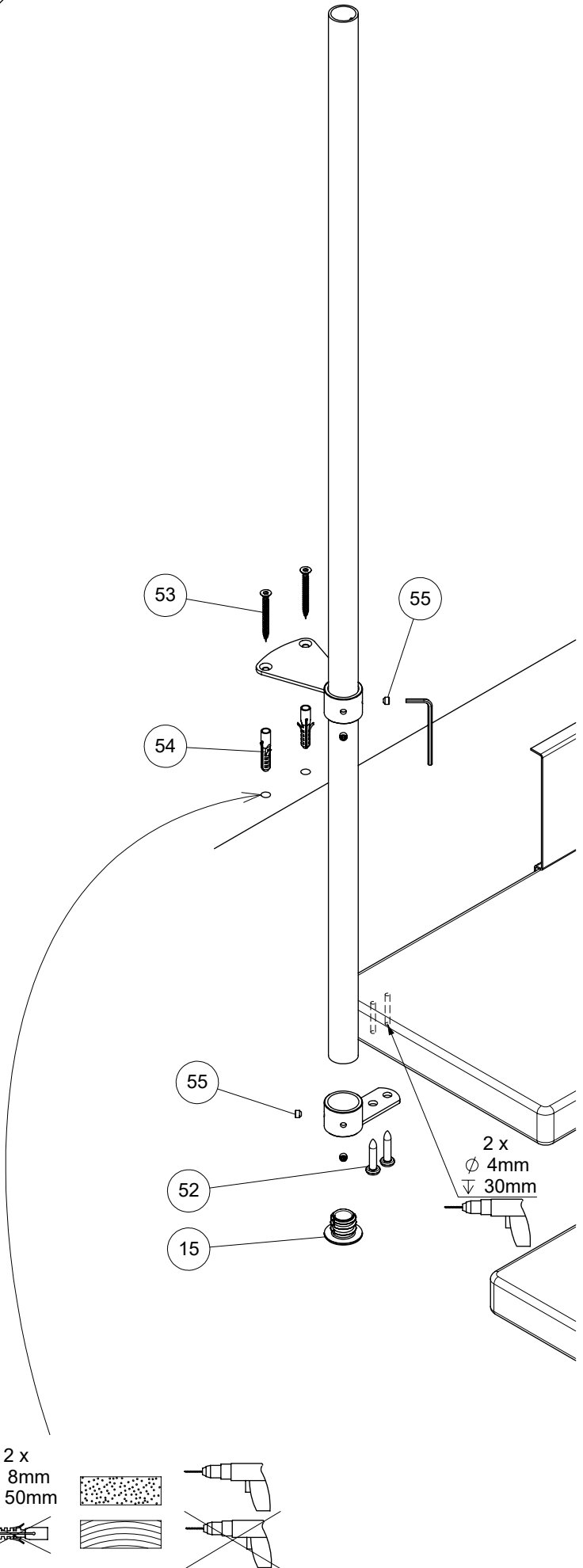
R



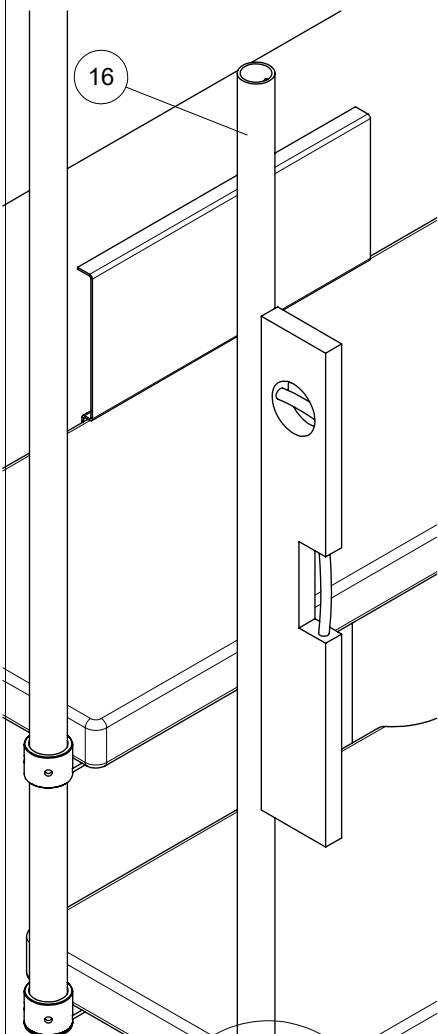
19a



19b



20



16

8

55

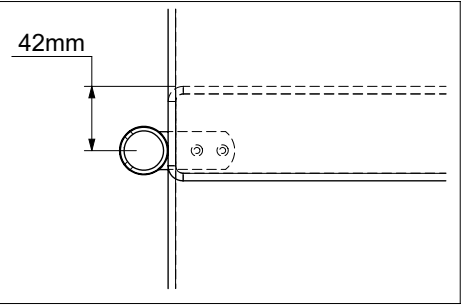
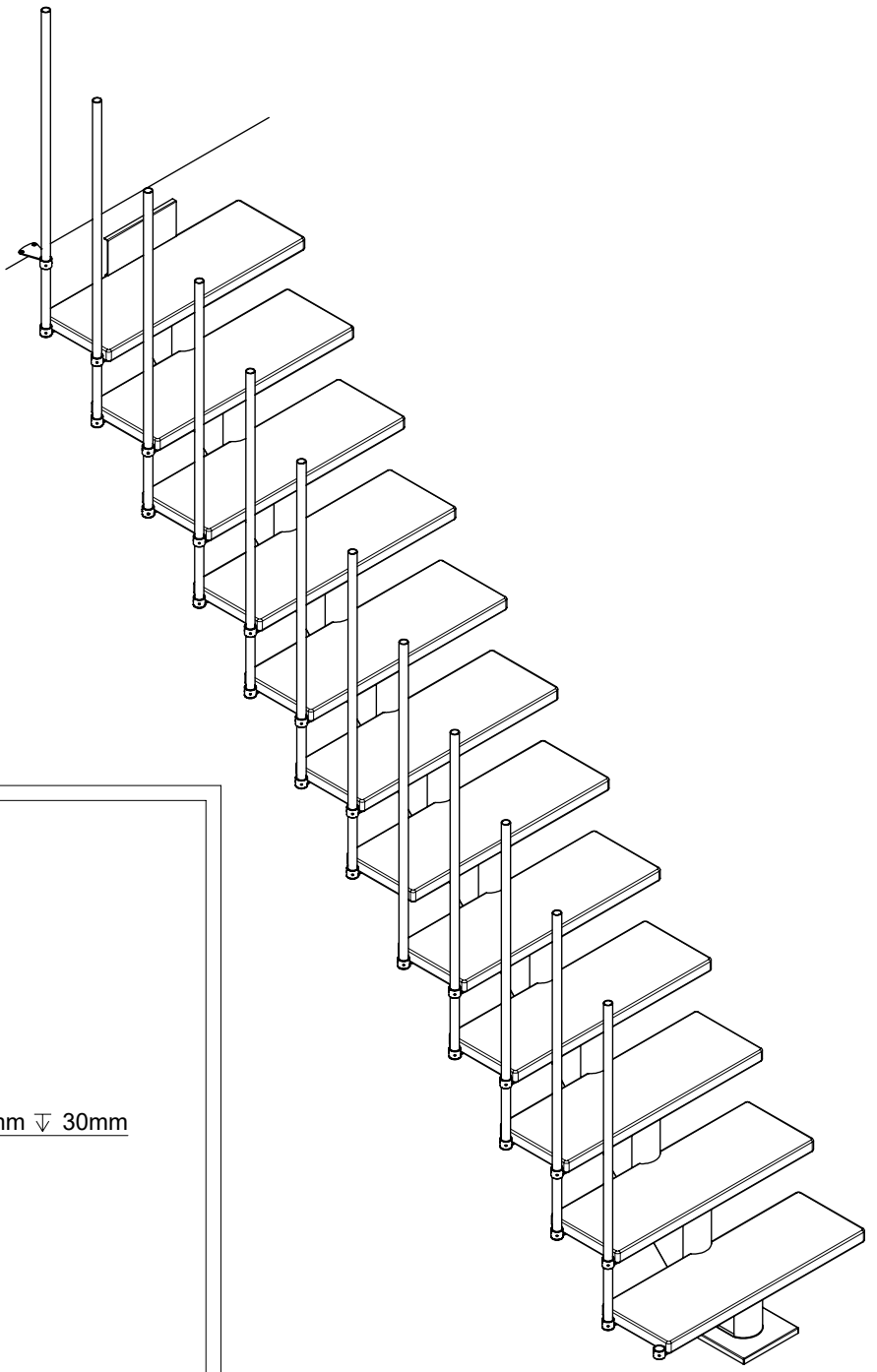
52

15

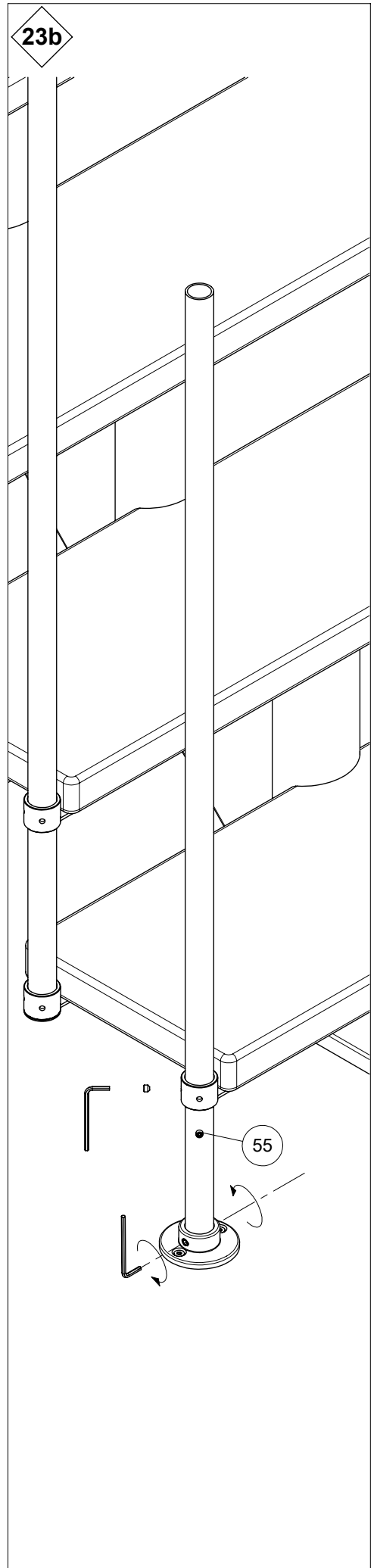
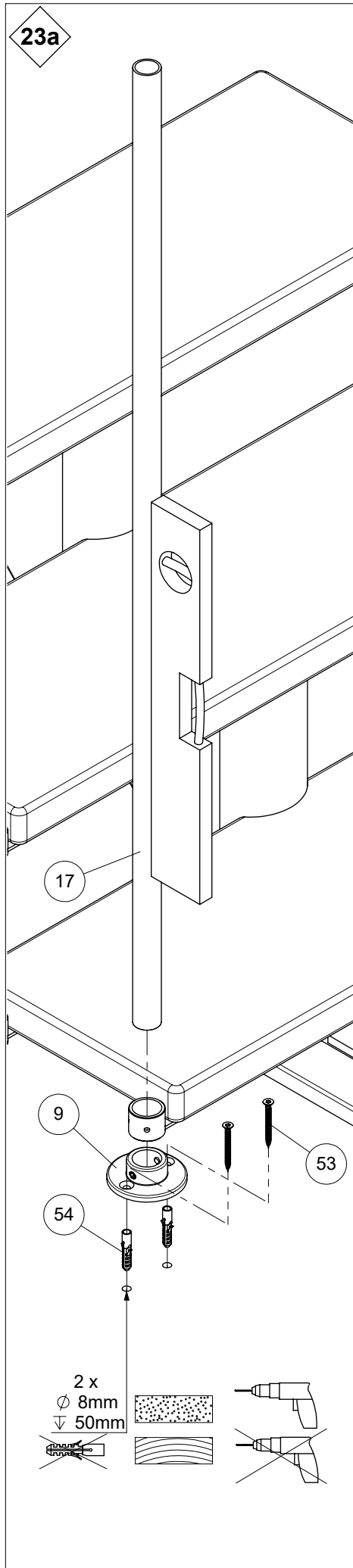
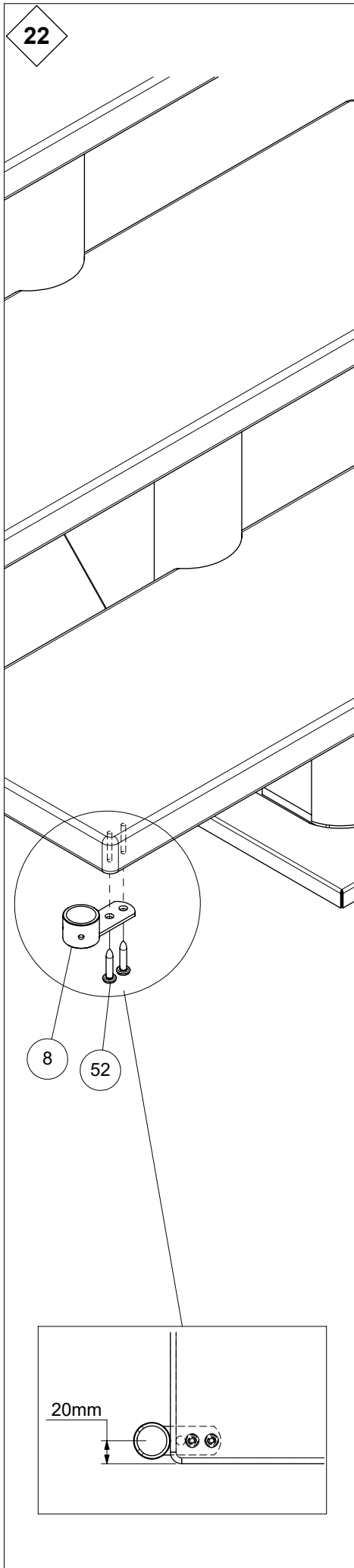
2 x  $\varnothing$  4mm  $\nabla$  30mm

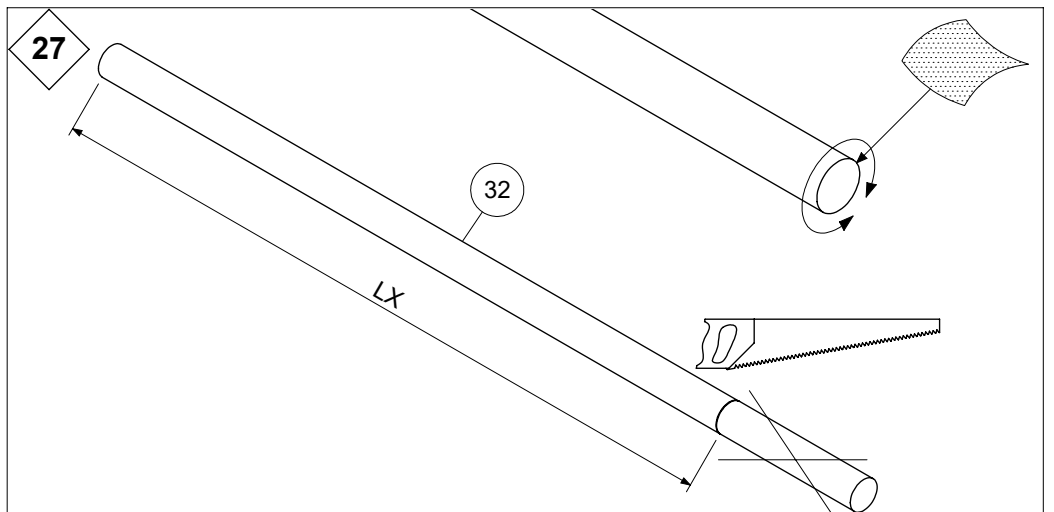
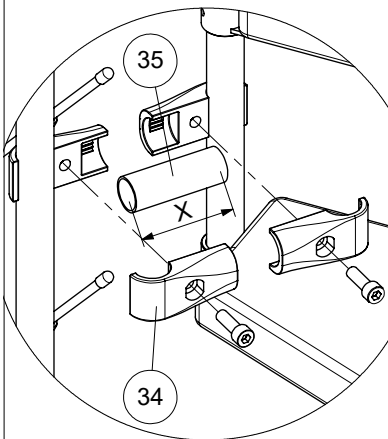
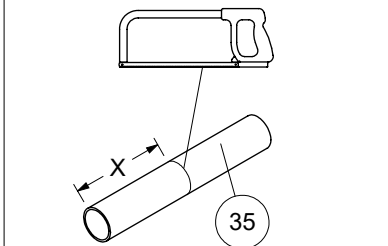
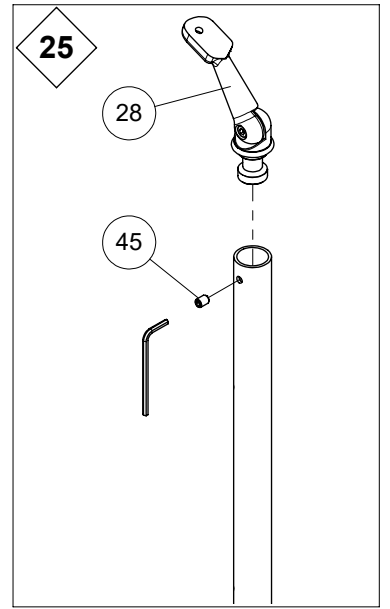
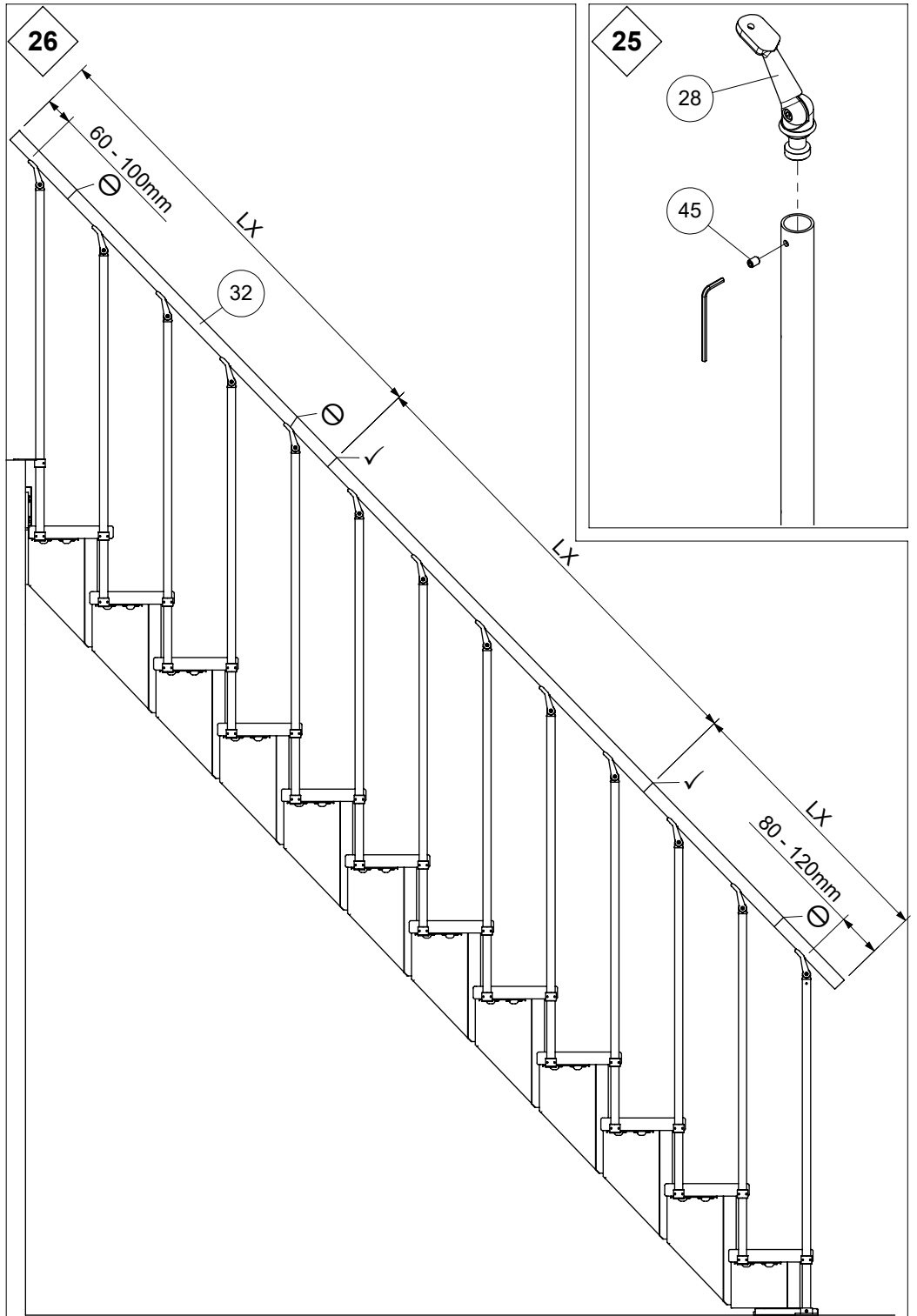
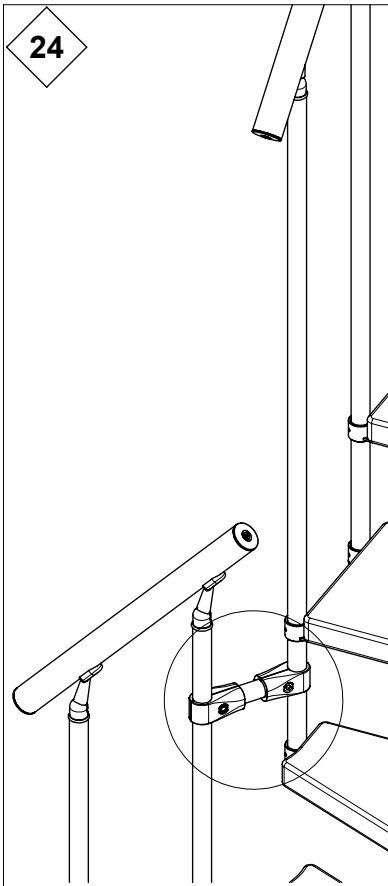
2 x  $\varnothing$  4mm  $\nabla$  30mm

21

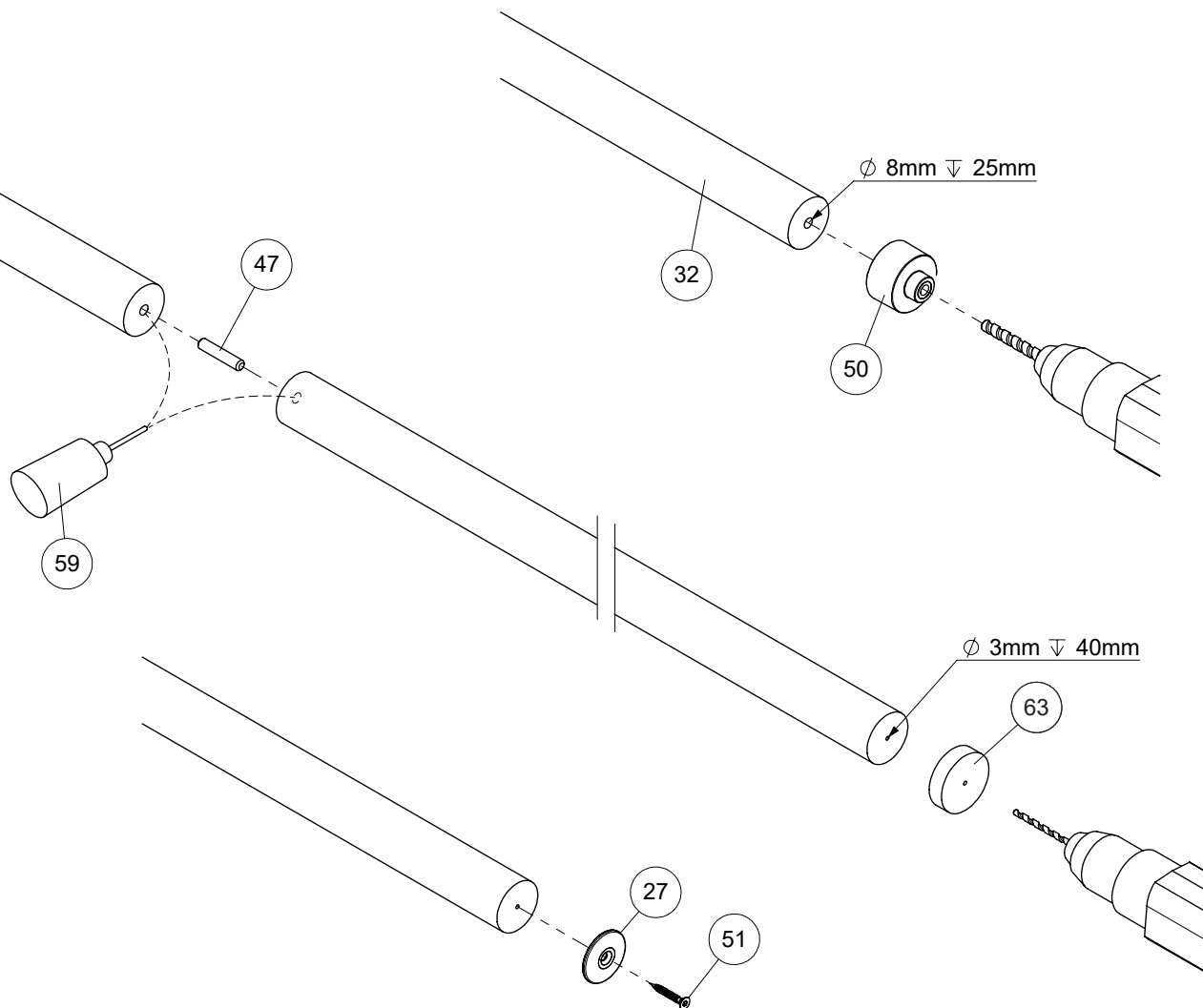


42mm

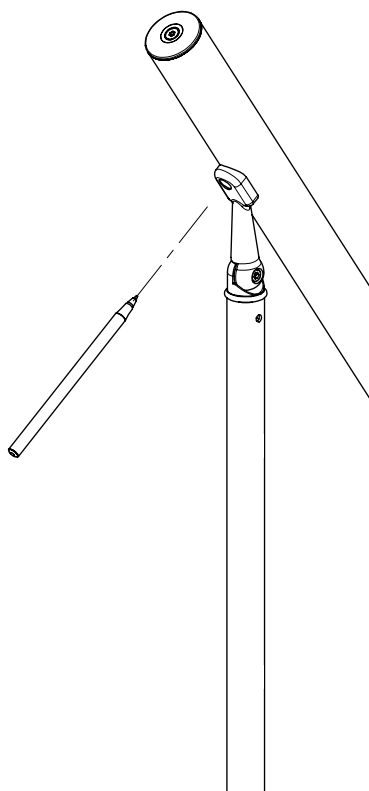




28



29a



29b

