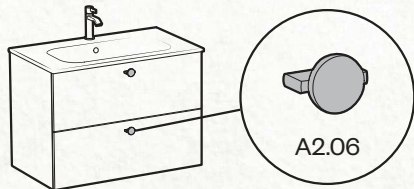
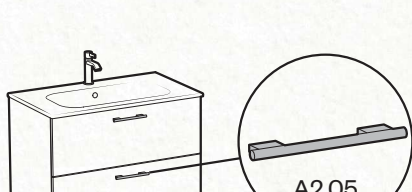
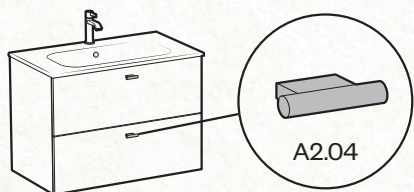
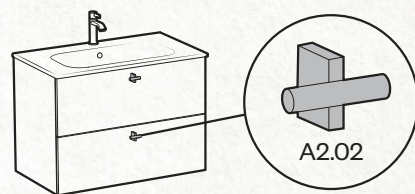
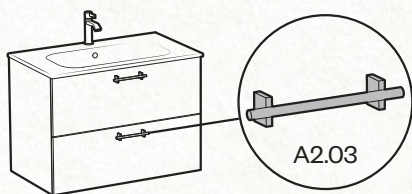
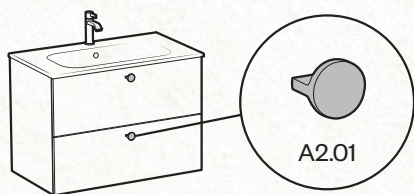
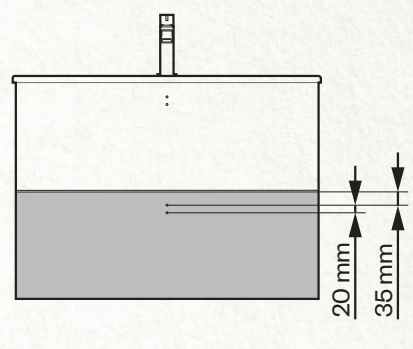
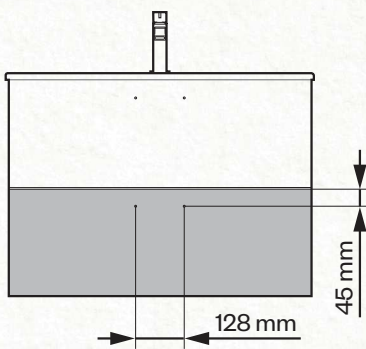
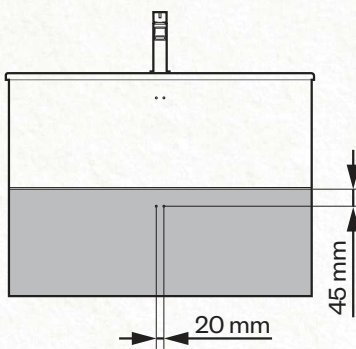
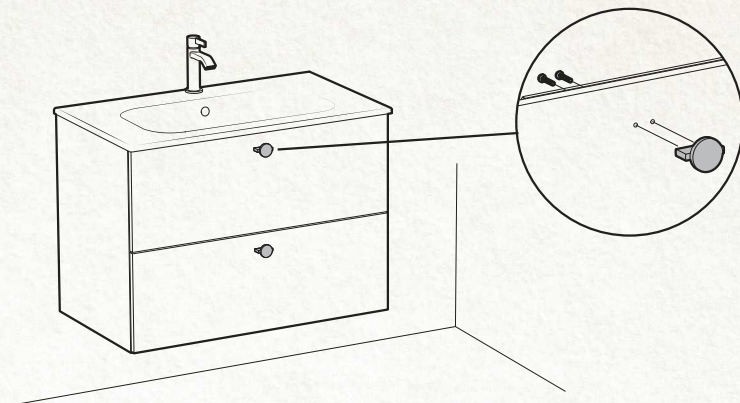
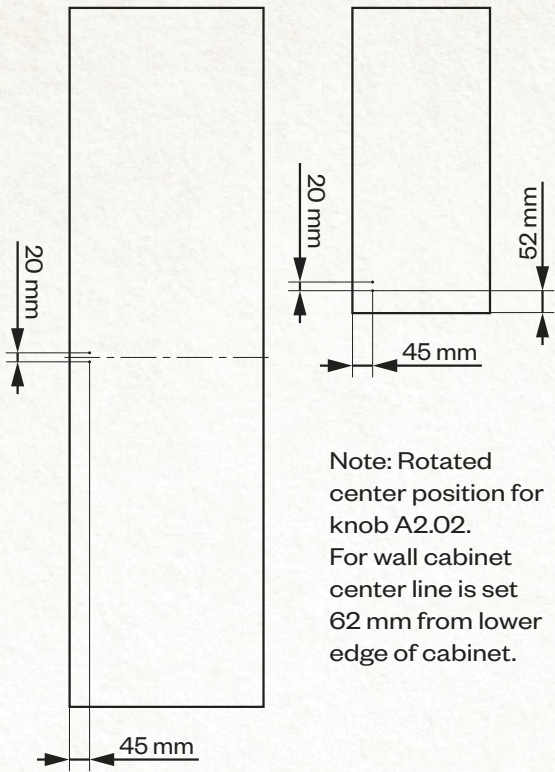


MOUNTING OF HANDLES AND KNOBS





MOUNTING OF HANDLES AND KNOBS



Note: Rotated center position for knob A2.02. For wall cabinet center line is set 62 mm from lower edge of cabinet.

