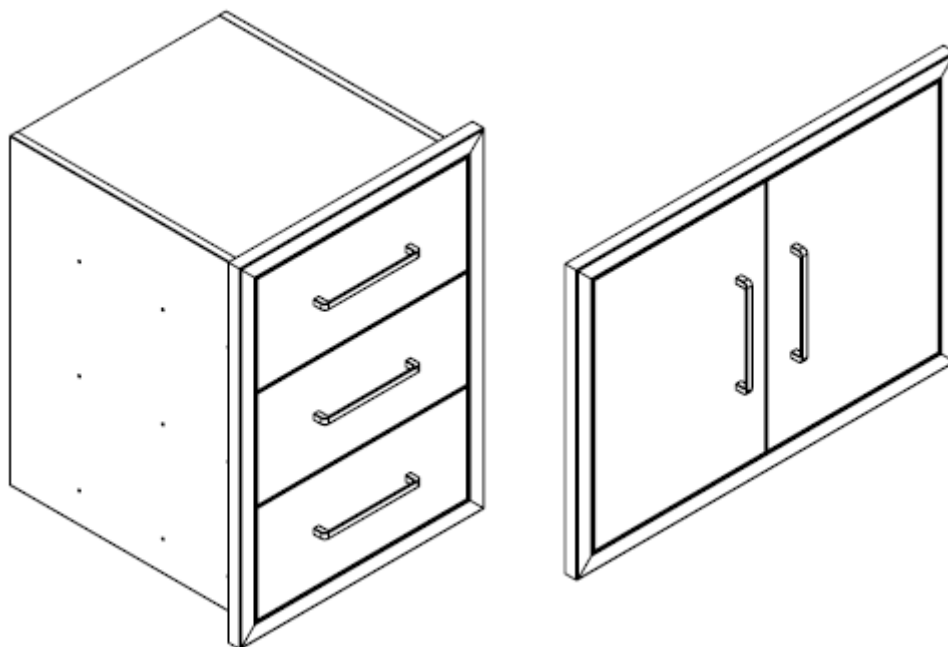


# Mey OUTDOORKITCHEN™

## Assembly and operating manual

Outdoor kitchen Built-in  
doors & drawer



### Models:

HUI-SSA20-V/HUI-SDA31/HUI-STAD/HUI-SDIIC



Read the operating instructions before using the device.  
Please keep the operating instructions for future  
reference.

## Safety instructions

### General instructions



**Caution:** Please observe the assembly instructions and specifications of this manual before installing this product.

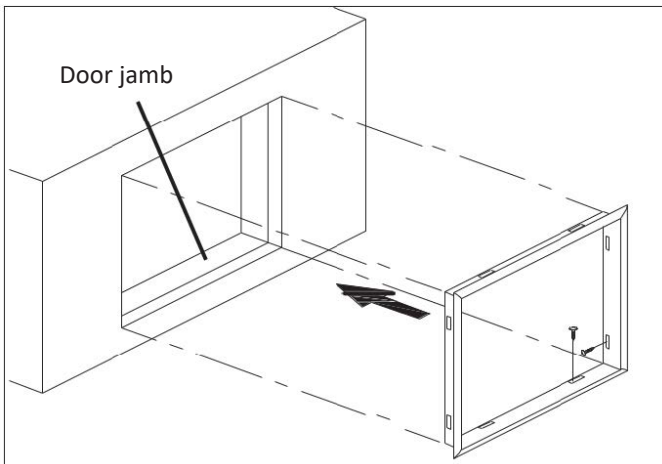
- If the units are combined with units from other manufacturers, they must also be considered.
- For proper installation, be sure to use the correct cutout dimensions as specified for your specific model number.
- For installation, it is recommended that you apply a silicone seam to the back of the frame before installing it. (Not included in the product scope)
- Some models may include an additional owner's manual.

## Assembly

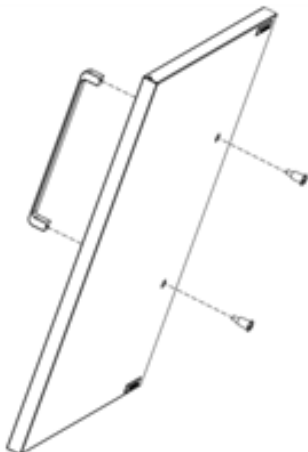
For proper installation, be sure to use the correct cutout dimensions as specified for your model number. Locate your model on the following pages for dimensions, and reference the cut-out diagram of your unit for proper orientation.

### For door

Slide the unit into the opening of the island and screw the unit at the intended points using suitable screws (not included in the product scope).

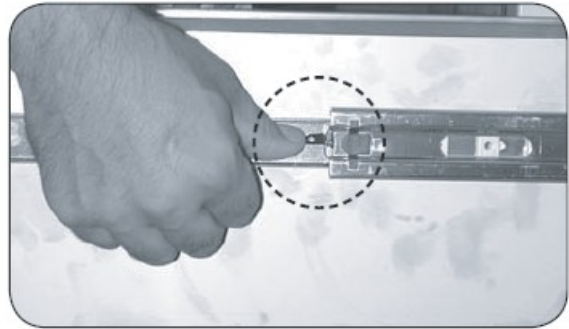


Install handles



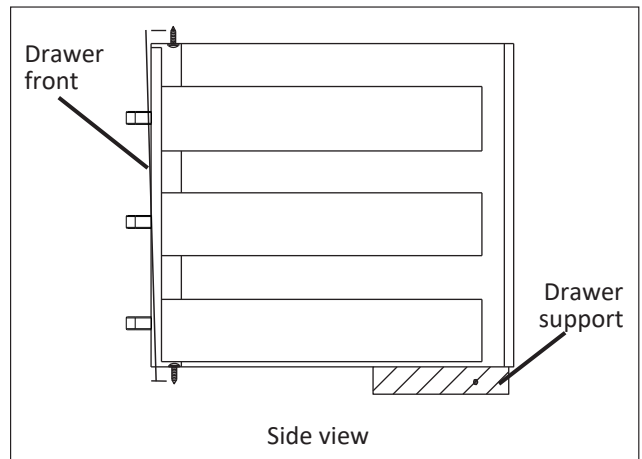
### For Drawer:

Before installing your drawer, remove the drawer from its base by completely pulling it out. Release the drawer from the drawer slides by pressing the black lever down on the right side, and up on the left side. Then pull outwards on the drawer until it comes free of the runners.



*Releasing drawer from sides*

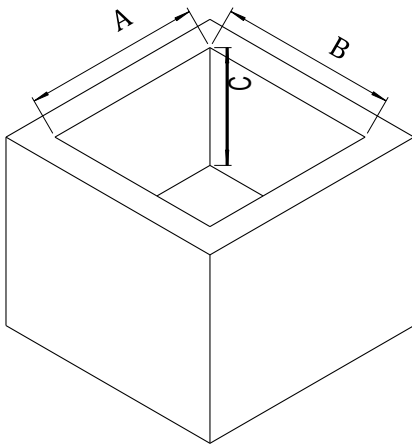
1. To properly support the weight of your drawer, it is necessary to provide a secure, level surface in the rear of the cabinet (See below). Be sure that the height of this rear support is the same height as the front opening support, so that your drawer sits level. Releasing drawer.



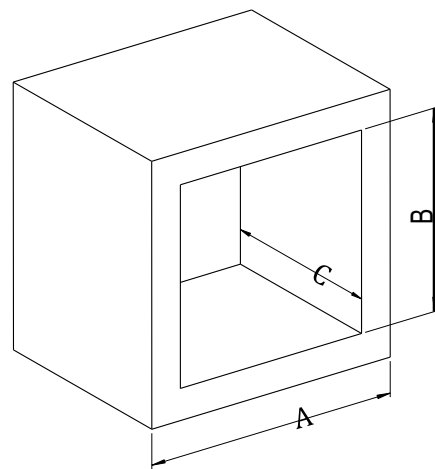
3. To reinsert the drawer, completely pull out the slide rails and place the drawer on the rails, and then close the drawer. Open the drawer to verify that it has locked in place.

## Cut-out dimensions

Model	Cut-out dimensions (cm)		
	A	B	C
9657	30	45.3	49
9658	73.2	50.3	49
9659	45.5	63.5	49
9667	58.3	43.5	49



For: Ice chest (HUI-SDIIC)



For: Single door (HUI-SSA20-V)  
Double door (HUI-SDA31)  
Triple drawer (HUI-STAD)



**IMPORTANT!** Always keep the barbecue and all accessories ready when building an island so you can make sure everything fits properly.

## Cleaning

By following these recommendations, you will enjoy the beauty and convenience of your unit for many years to come.

- Clean your unit by first using stainless steel grill cleaner to remove grease and dirt. Always wipe with the grain. Next, apply stainless steel polish and wipe down using polish wipes to restore the stainless-steel color.
- If your unit is installed in a seaside (salt air) or poolside (chlorine) location, it will be more susceptible to corrosion on and must be maintained/cleaned more frequently. Do not store chemicals (such as chlorine or fertilizer) near your stainless-steel unit.

- Due to the nature of stainless steel, surface iron oxide deposits may appear. Do not be alarmed-these deposits are removable with stainless-steel cleaner through prompt and periodic maintenance. If not attended to promptly, permanent pitting may occur.