

VENTURE DESIGN

HOME & INTERIOR

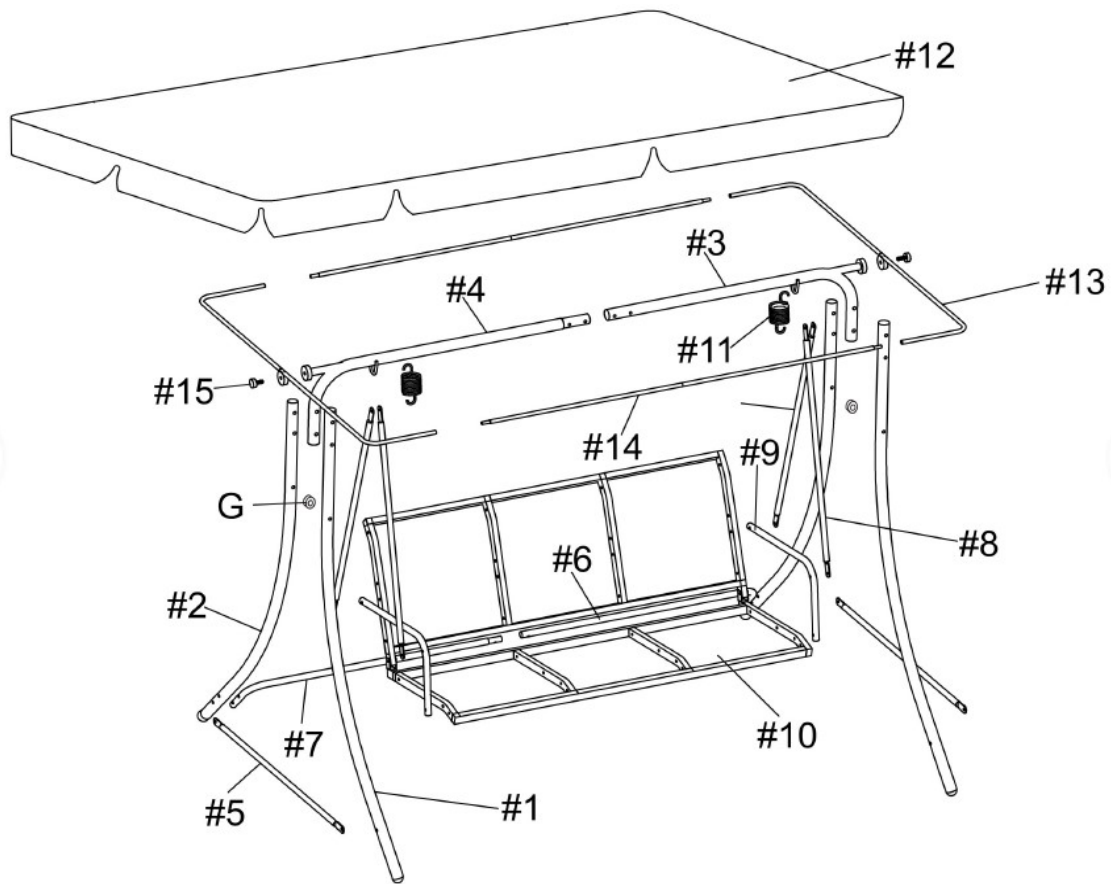









1017-408

Montreal 3-seater swing

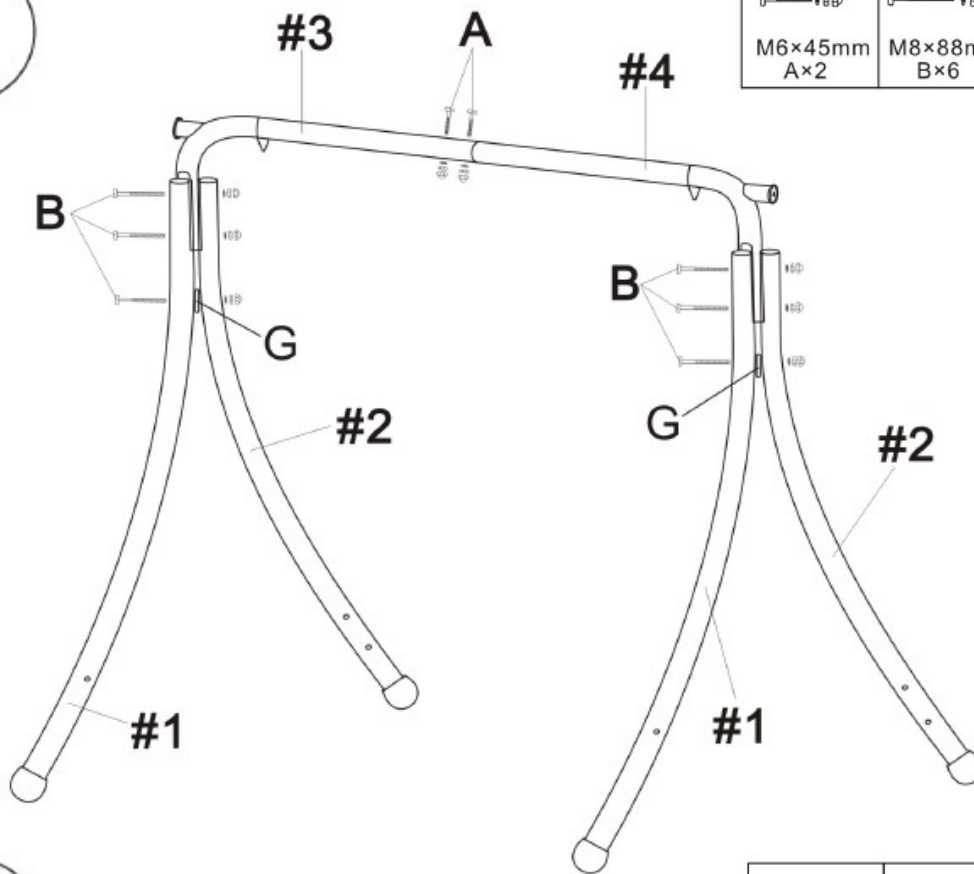
Monteringsanvisning - Assemblyinstruction - Einbauzeichnung





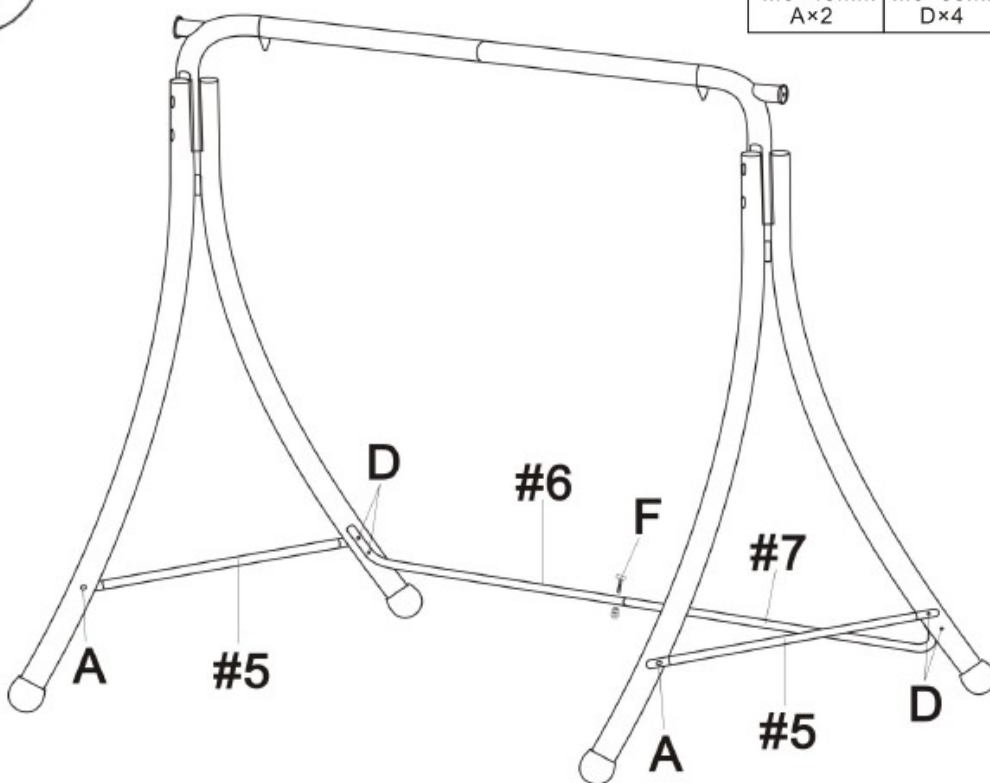
Art No.	No.	Qty	Art No.	No.	Qty	Art No.	No.		Qty
	#1	2		#9	2	1999-5783	A	 M6×45mm	4
	#2	2		#10	1		B	 M8×88mm	6
	#3	1	1999-5786	#11	2		C	 M6×35mm	2
	#4	1	1999-5785	#12	1		D	 M6×68mm	4
	#5	2		#13	2		E	 M6×75mm	4
	#6	1		#14	2		F	 M6×28mm	1
	#7	1	1999-5787	#15	2		G	 15×5mm	2
	#8	4							

1





M6×45mm A×2	M8×88mm B×6	M8×6mm G×2

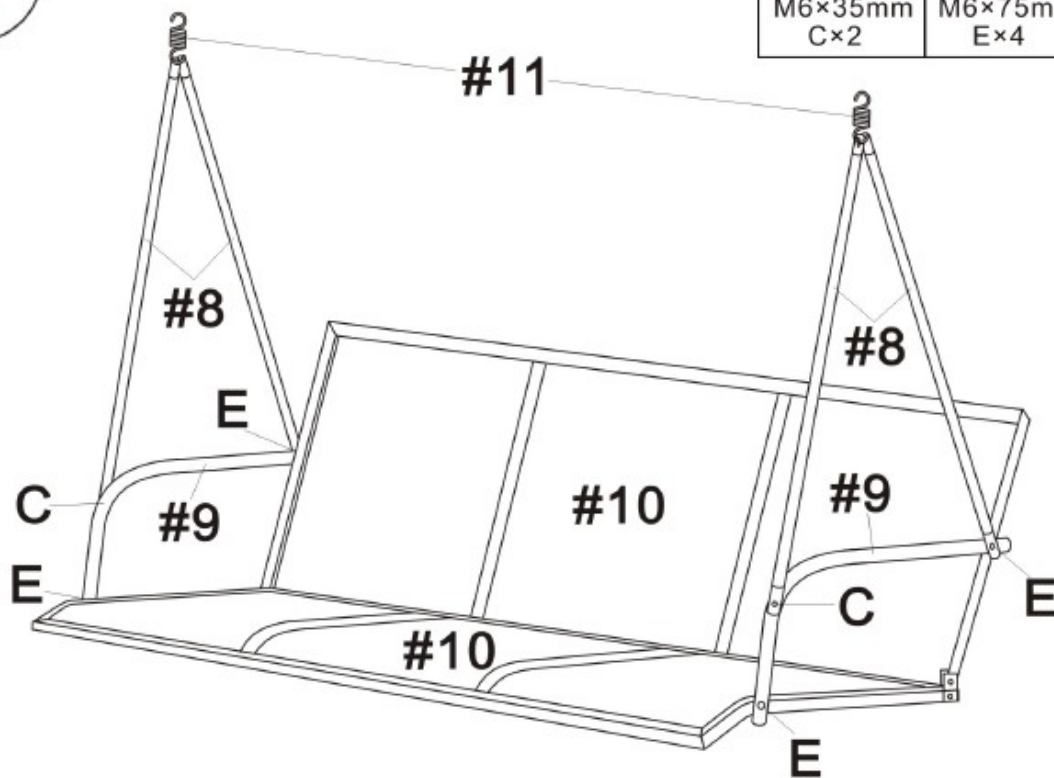
2



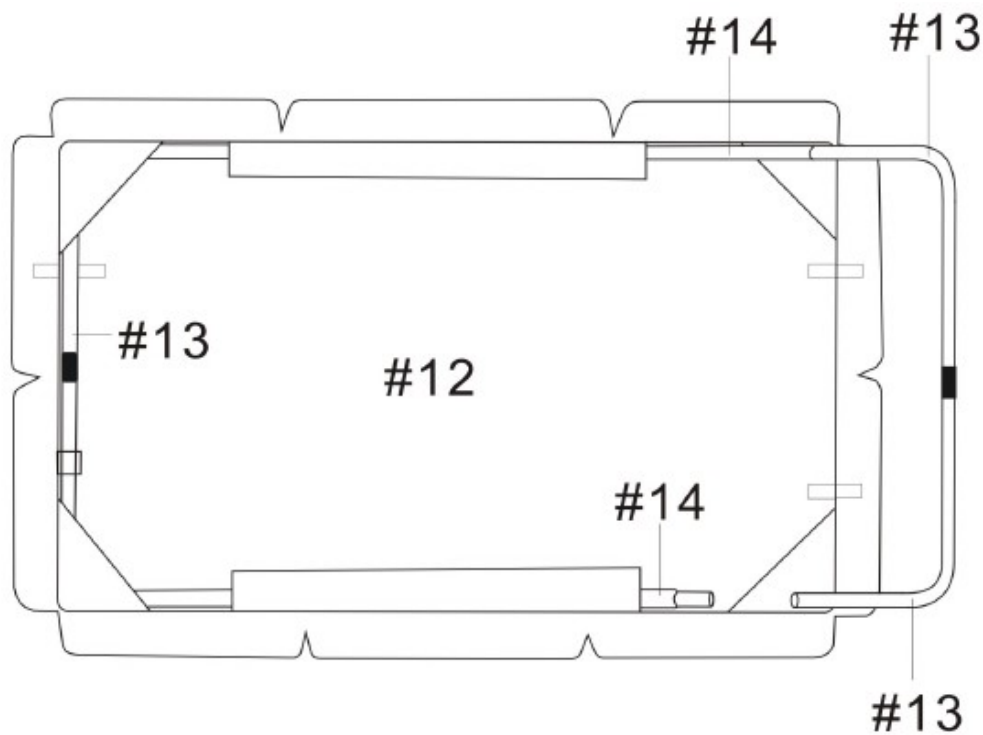
M6×45mm A×2	M6×68mm D×4	M6×28mm F×1

3

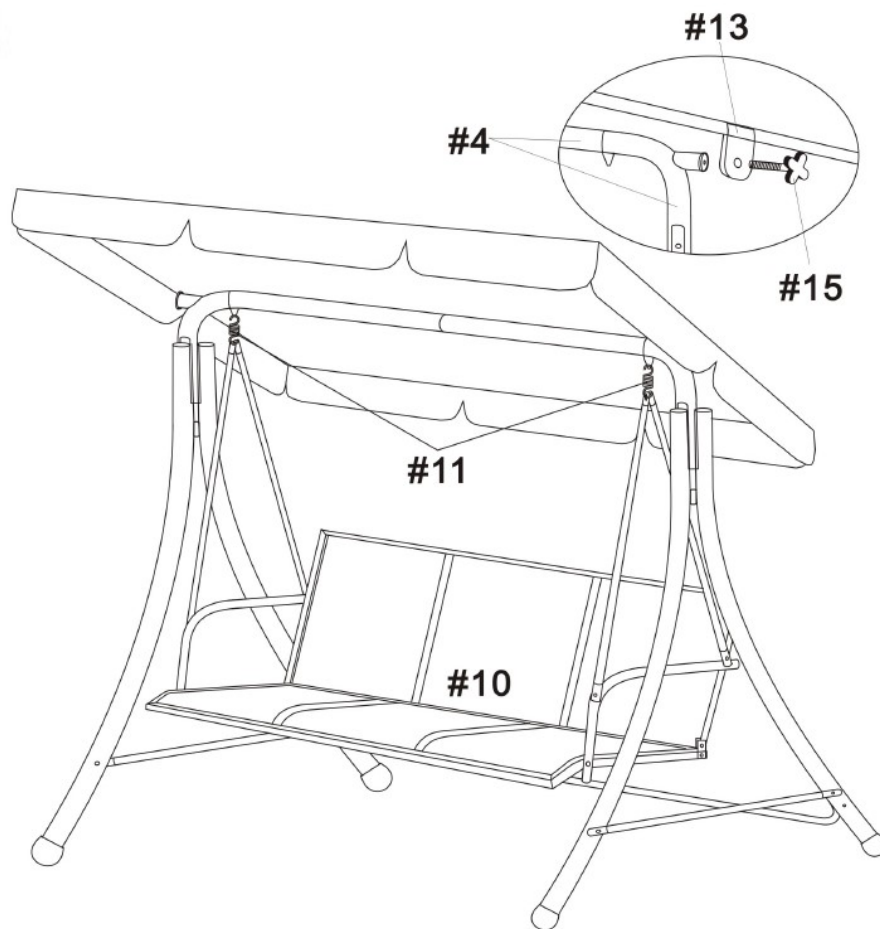
	
M6×35mm C×2	M6×75mm E×4



4



5



6

