

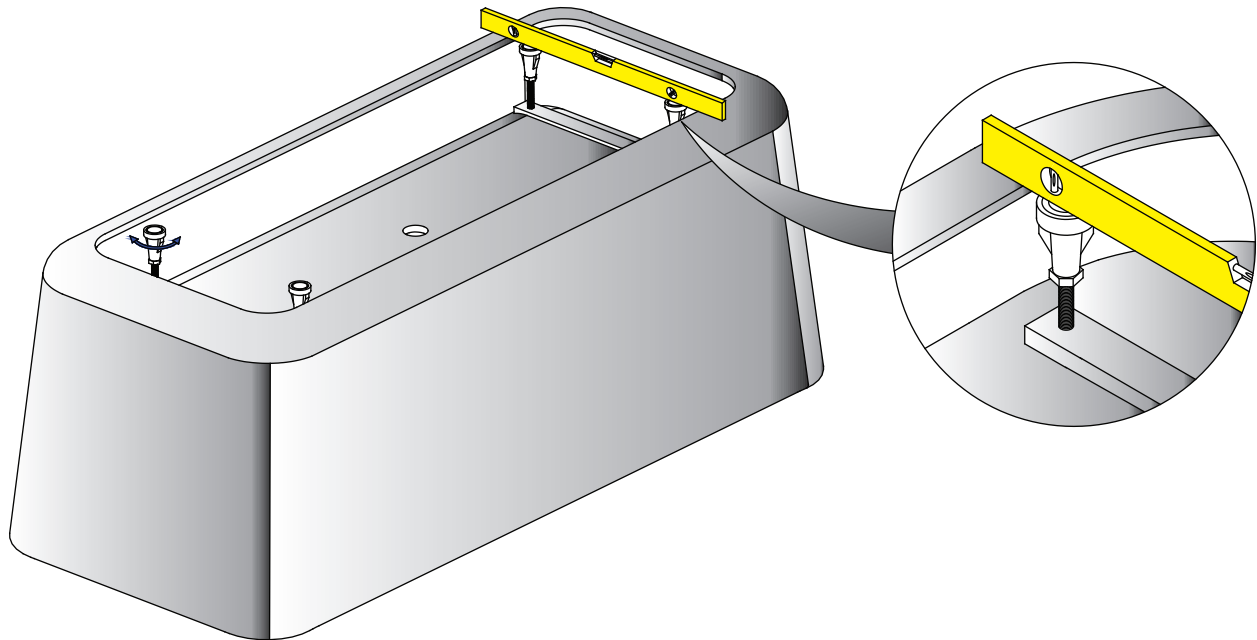
# MANUAL

MANUELL

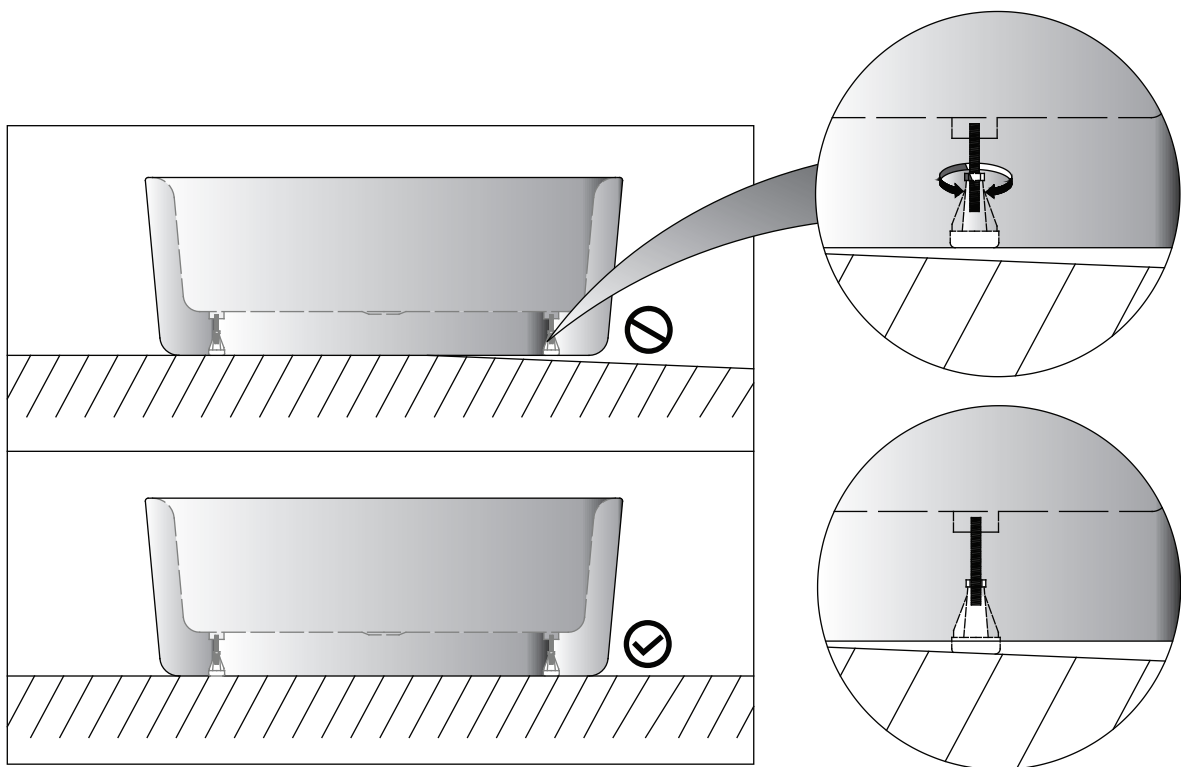


bathlife®  
OF SWEDEN

1



2



Copyright ©2019 Bygghemma Sverige AB. The dimma ® logo is a registered trademark of Bygghemma Sverige AB. All rights reserved.



This artwork is presented as-is, is a work in progress concept and does not represent the quality or function of a final product.



Some colours are based on the PANTONE® Colour Matching System. Colours may display differently in digital and final products.