

## IMPORTANT

When using any electrical appliance, basic safety precautions should always be observed. READ THESE INSTRUCTIONS CAREFULLY. Keep them handy for future reference.

- This appliance is intended to warm and dry towels and therefore is hot to touch. When used by or near young children or infirm persons, close supervision is necessary. Young children should be supervised to ensure that they do not play with the appliance.
- Any rise in ambient temperature is directly reflected in the appliance, and as a result of this, the appliance will feel hotter to the touch during warmer periods. Also the insulation effect of towels will cause the operating temperature to increase.
- The appliance is to be installed so that switches and other controls cannot be touched by a person in the bath or shower.
- Do NOT use this appliance for other than its intended use.
- To avoid a hazard this Heated Towel Rail Must NOT be used to carry towels or any other articles that have been in contact with oil, petroleum based products or dry cleaning fluids.
- Use this appliance only on the voltage specified on the rating label, or elsewhere in these instructions.
- Regulations require that electrical work be carried out only by authorized persons. For your own safety and that of others ensure this is done.
- DO NOT immerse in any liquid.
- For service contact your nearest Authorized Service Agent.

This appliance MUST be installed in accordance with the relevant wiring rules and regulations and in particular those regulations which cover installation of appliances and accessories in damp situations such as bathrooms, showers, laundries and other areas with fixed water containers. It is to be fitted in accordance with applicable standards.

Special purpose tools are required for the replacement of the power supply cord and element. Contact an authorized Service Agent for service.

### Specifications:

SERIES	MODEL	Height mm	Width mm	Depth mm	Watts	Power Supply	IP Rating
FAS	100 1/S (V)	1600	100	102	30	230 – 240v Volts ac, 50Hz	X4
FAS	400 4/S (V)	550	400	102	35		X4
FAS	400 4/M (V)	550	400	102	35		X4
FAS	600 6/S (V)	900	600	102	60		X4
FAS	600 6/M (V)	900	600	102	60		X4
RAM	120 1/S (V)	1600	120	100	30		X4
RAM	400 4/S (V)	550	400	100	35		X4
RAM	400 4/M (V)	550	400	100	35		X4
RAM	600 6/S (V)	900	600	100	60		X4
RAM	600 6/M (V)	900	600	100	60		X4

### WARNING

Avoid hazard with children and install bottom rail 600mm from floor. Install no closer than 100mm from wall corners or objects.

### CARE

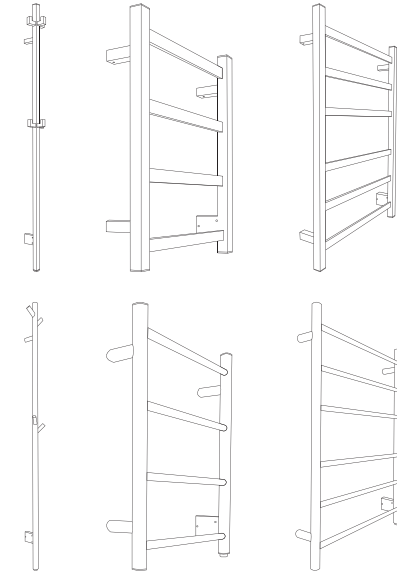
The Heated Towel Rail is best wiped down from time to time with a damp cloth.

DO NOT USE ANY ABRASIVE OR CORROSIVE CLEANERS.

# TOWEL HEATERS



IEC 60335-2-43 (16)



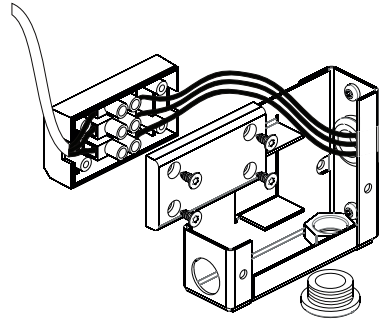
© 2016

batlife®

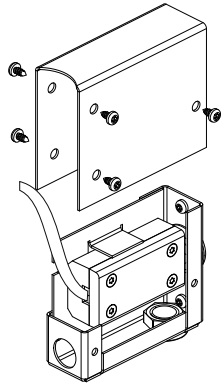
OF SWEDEN

CONCEALED WIRE INSTALLATION

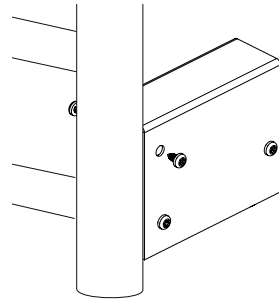
1



2



3



EXPOSED WIRE INSTALLATION

