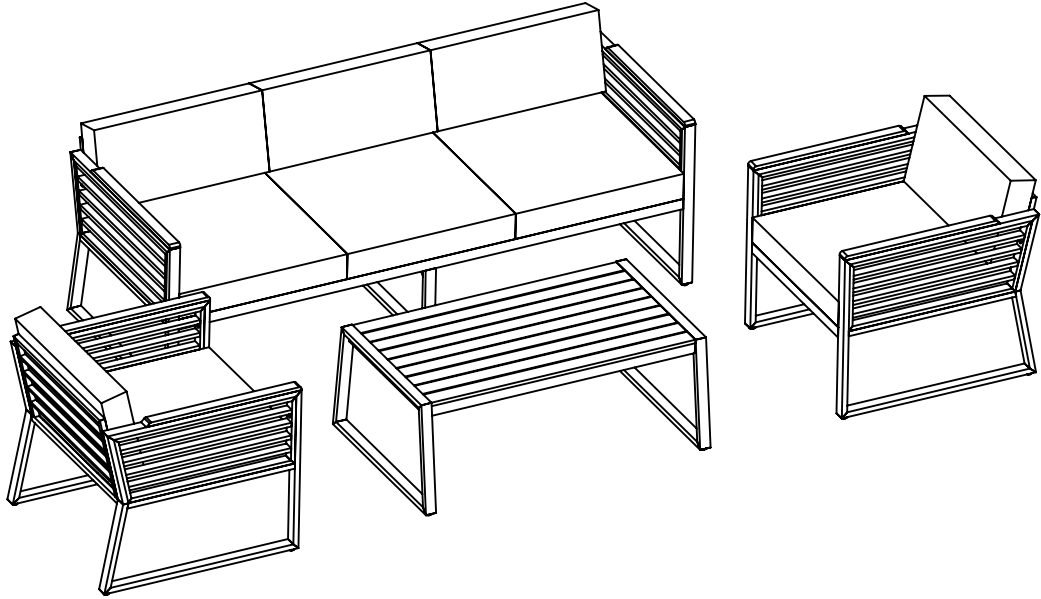
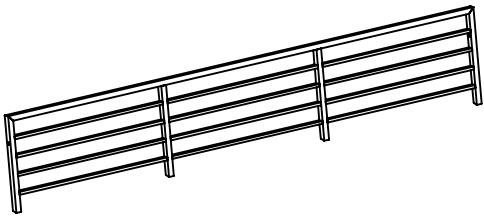


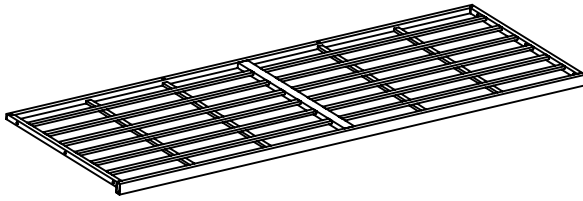
# DESCRIPTION



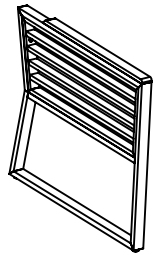
Ax1



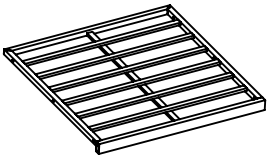
B1x1



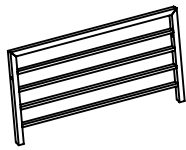
Cx6



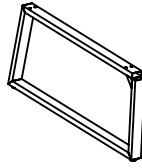
Dx2



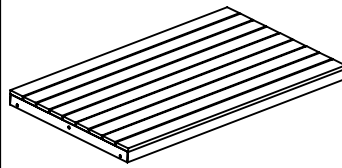
Ex2



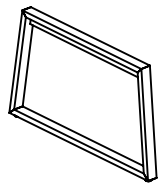
Fx1



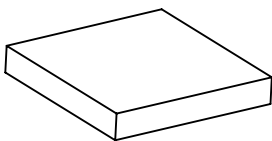
Gx1



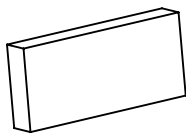
Hx2



Ix5



Jx5

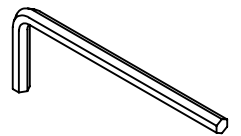


① x34

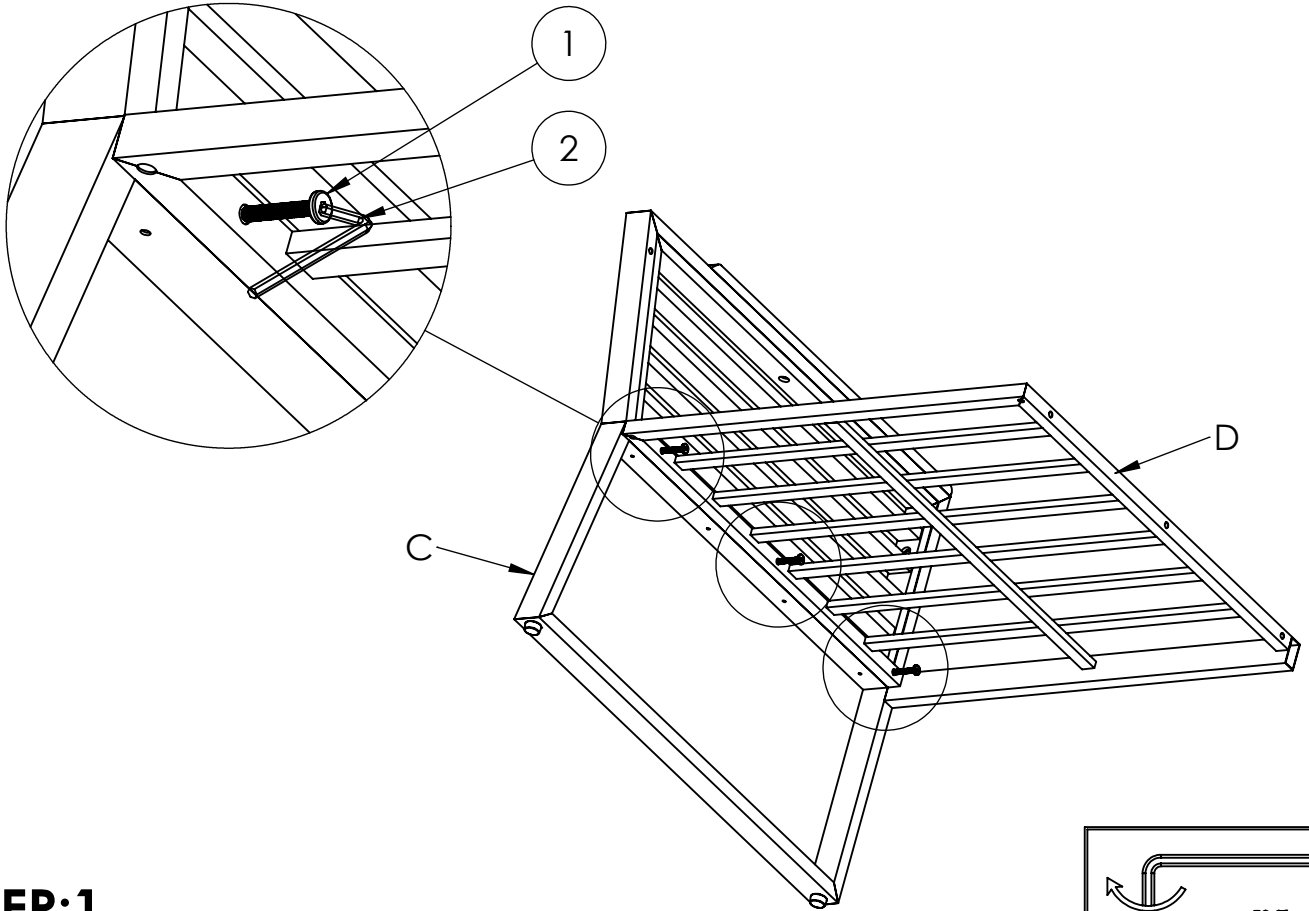


M6x35

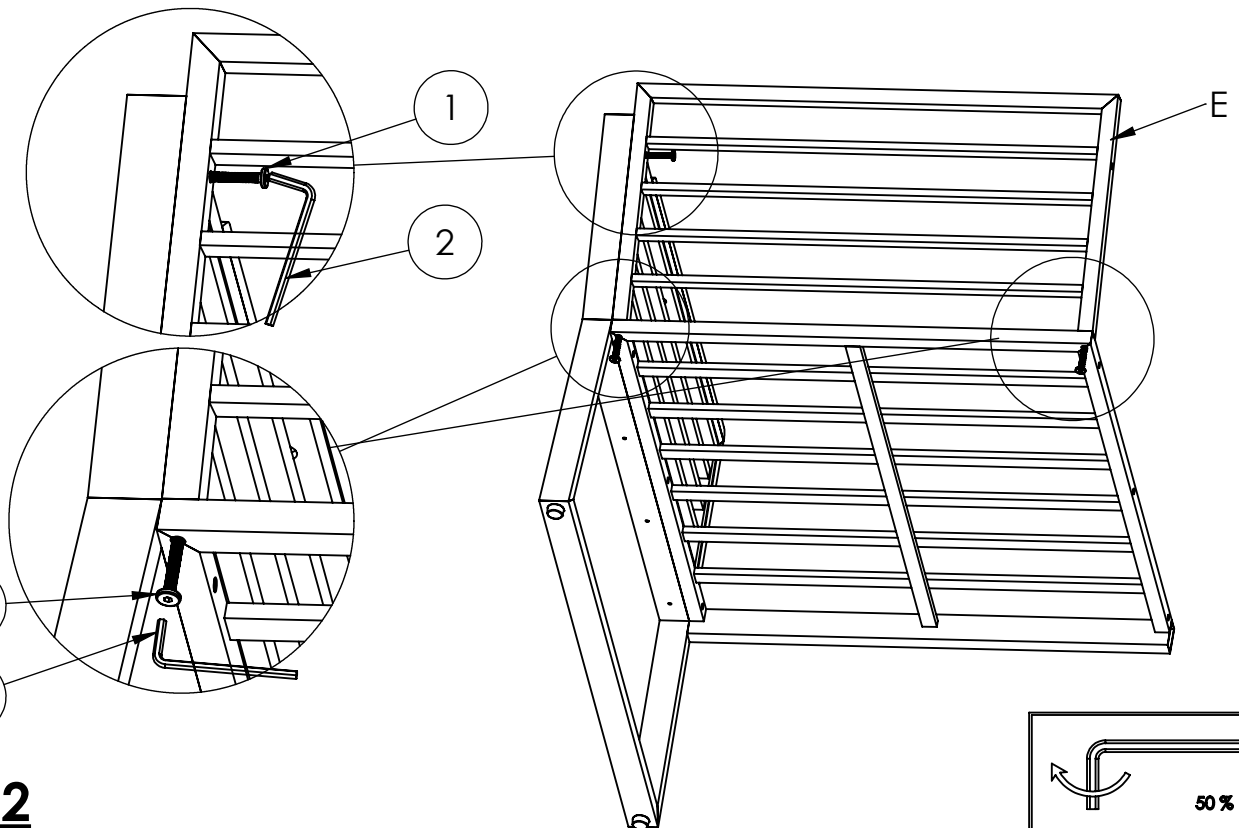
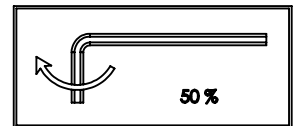
② x2



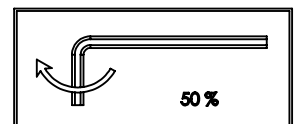
M4

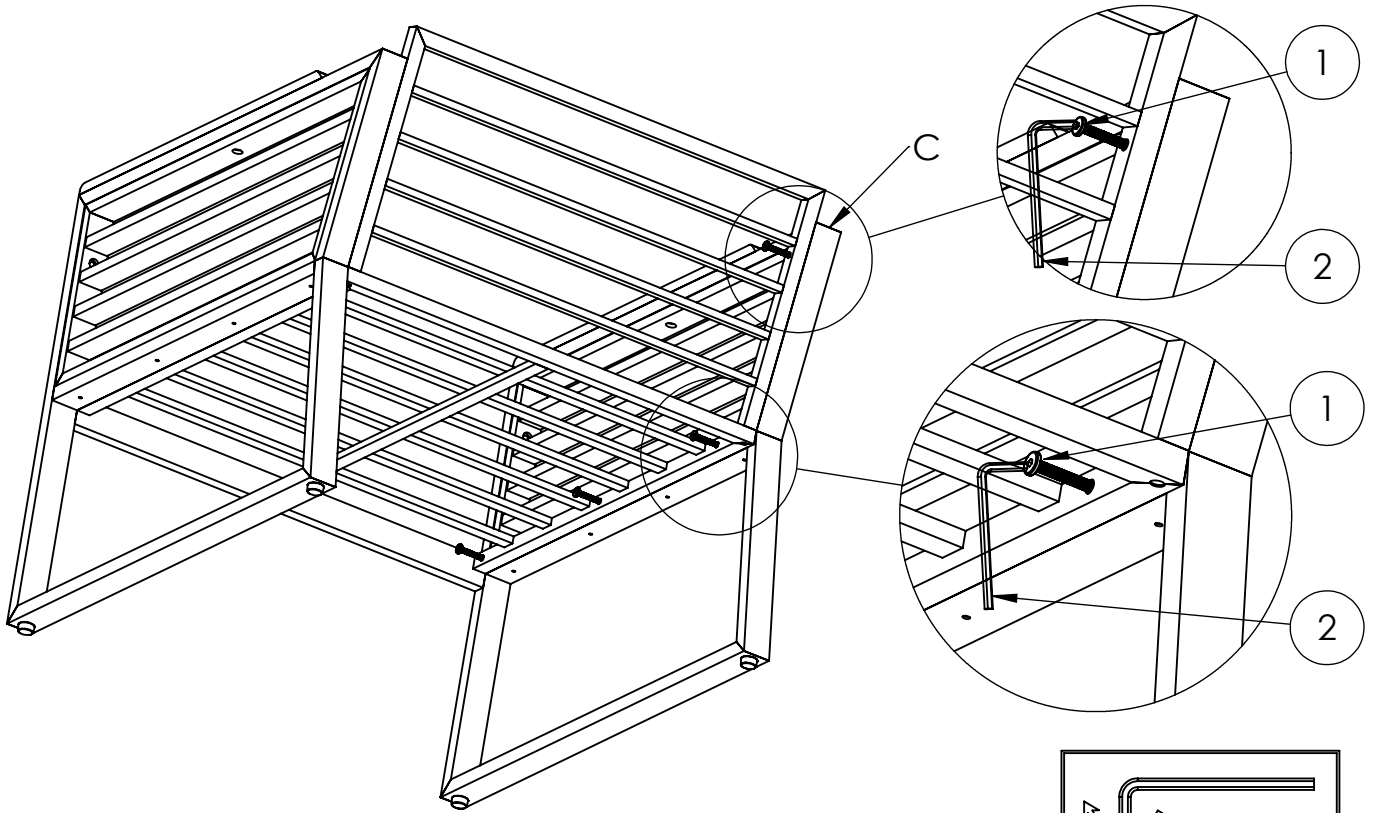


**STEP:1**

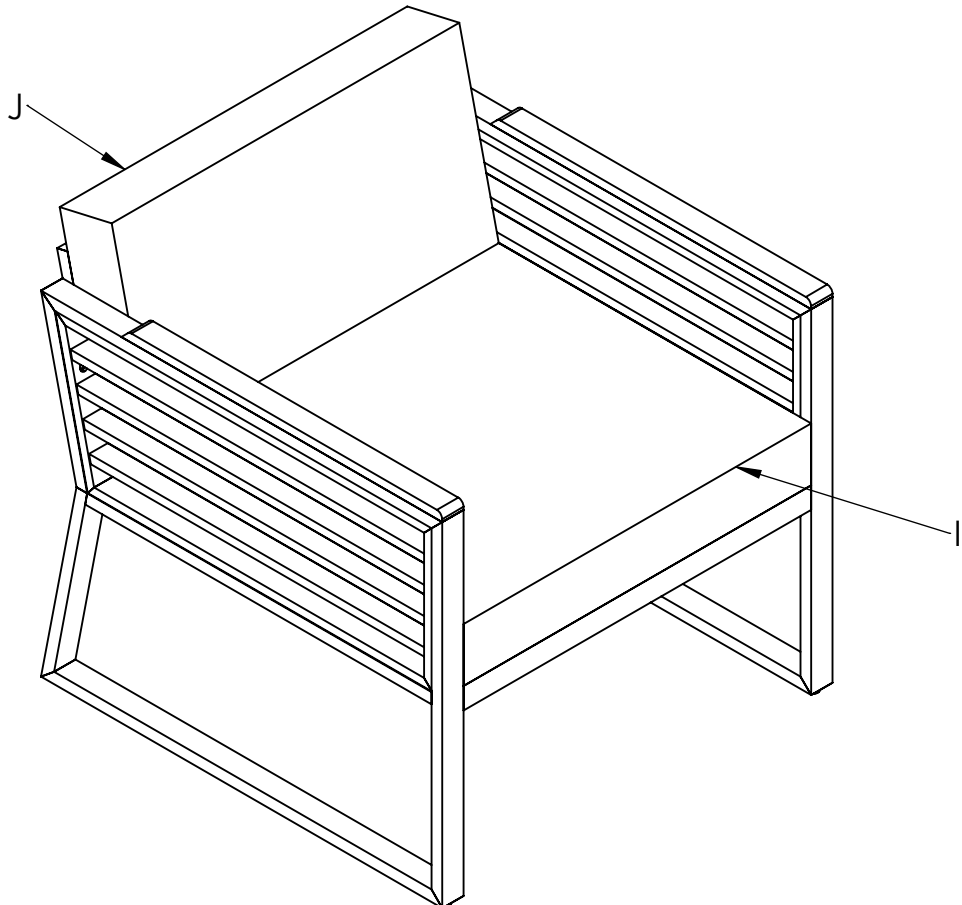


**STEP:2**

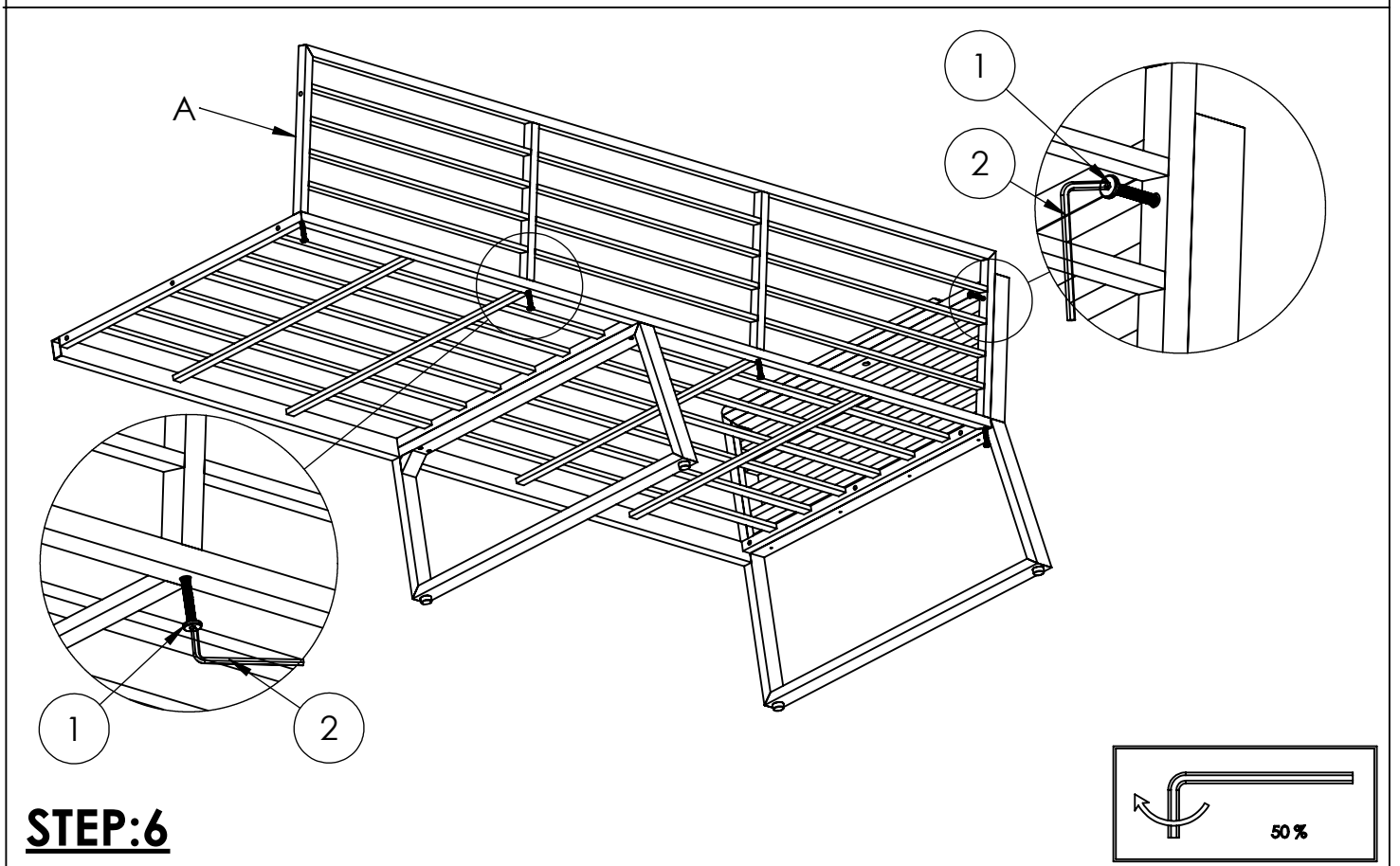
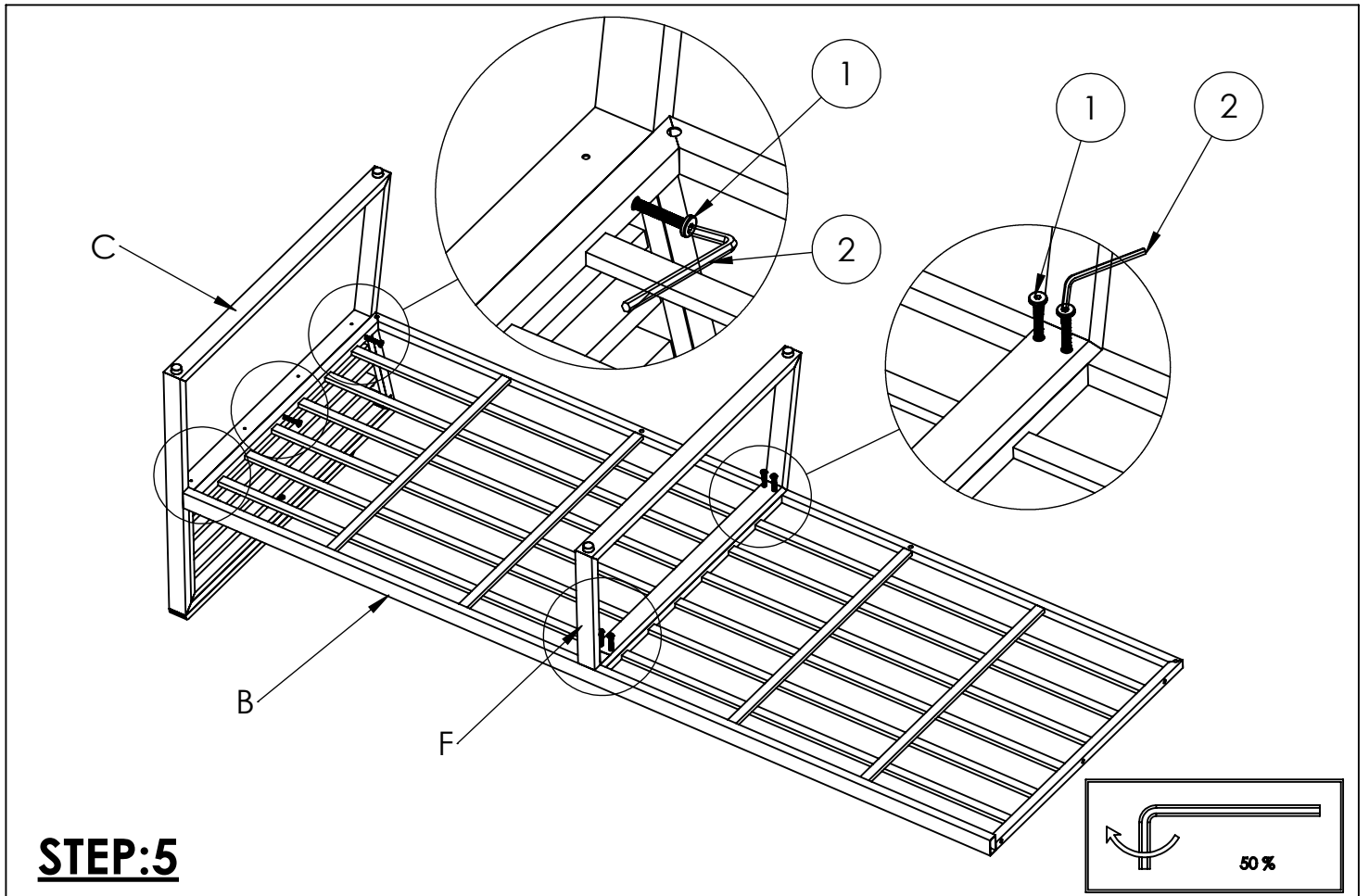


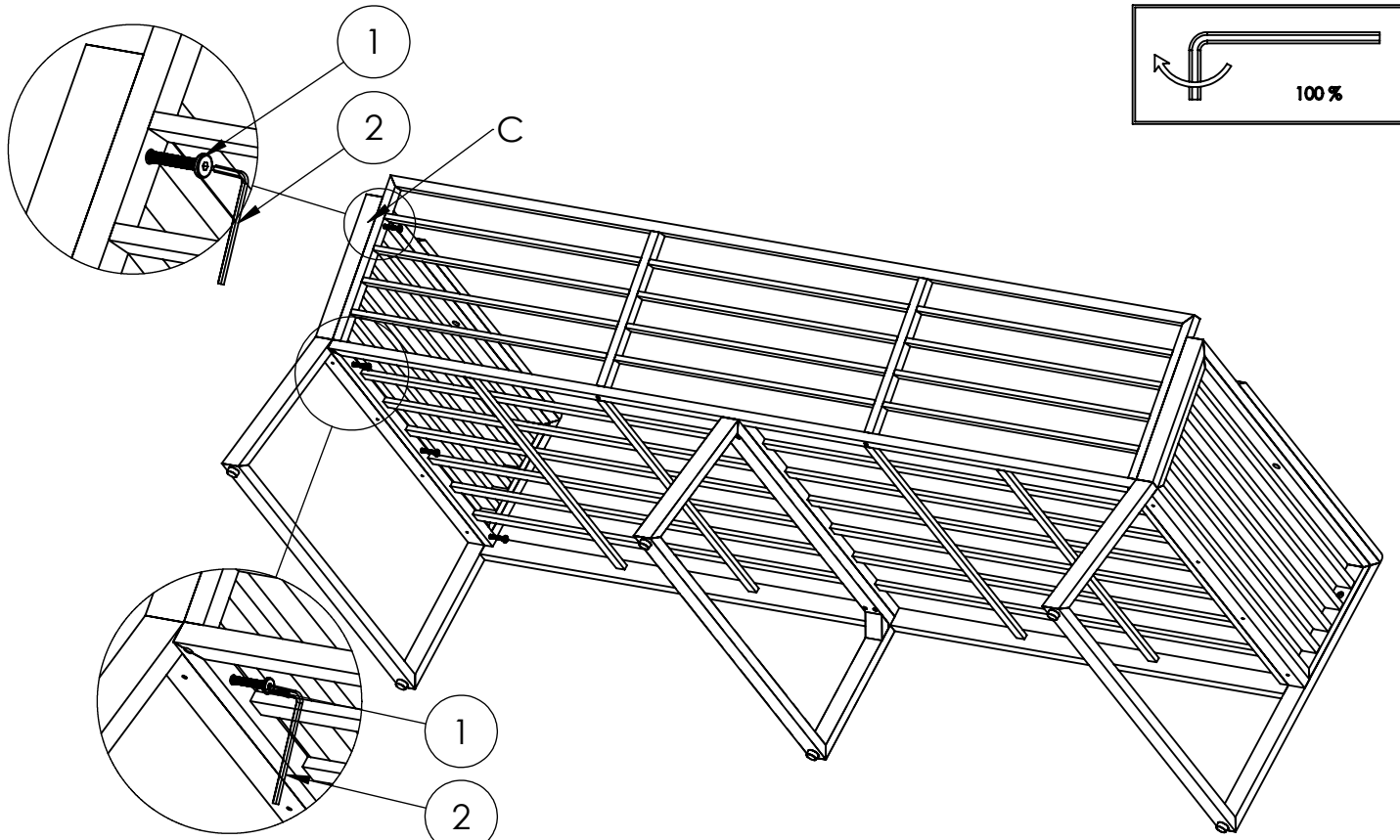


**STEP:3**

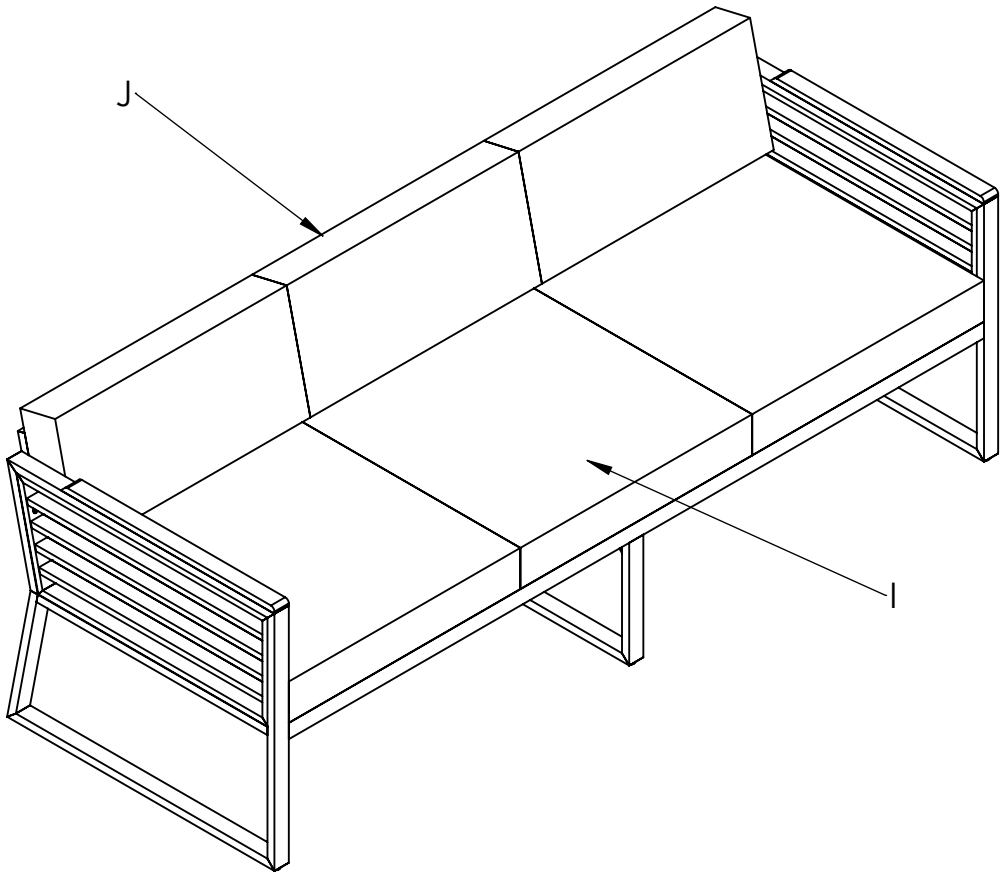


**STEP:4**

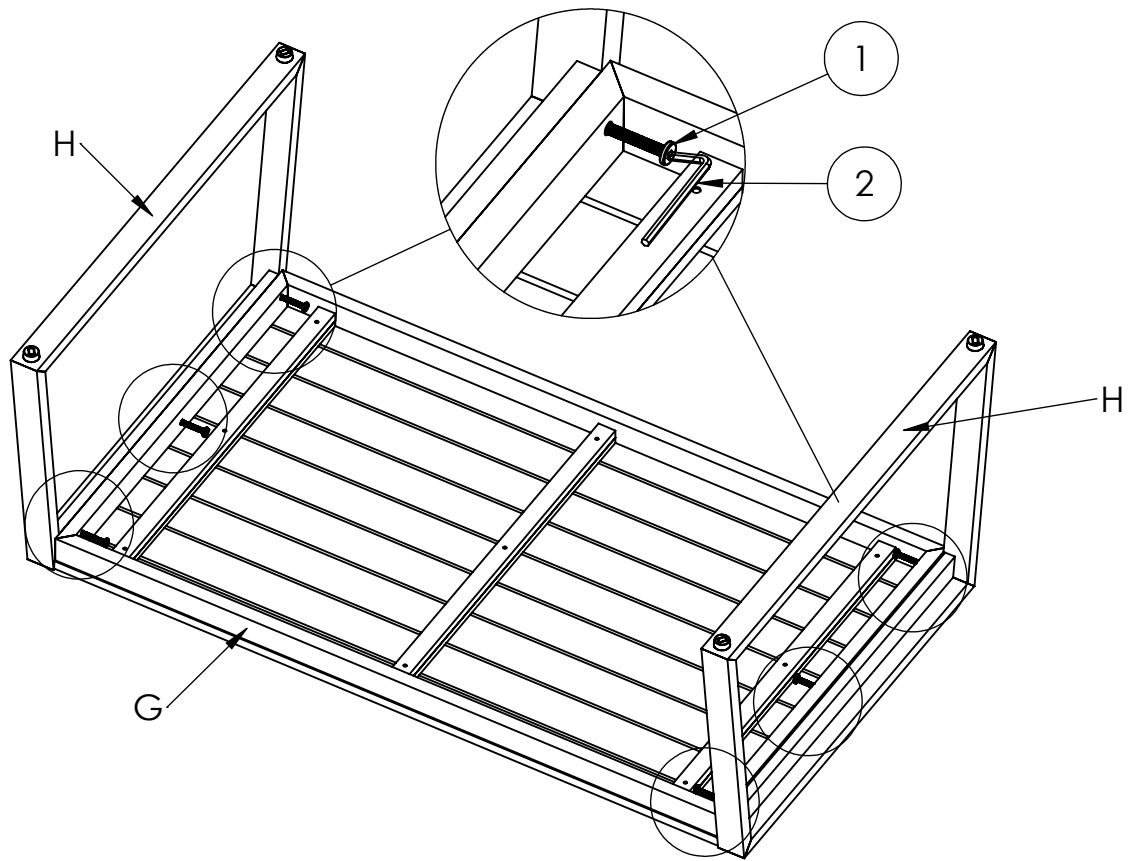




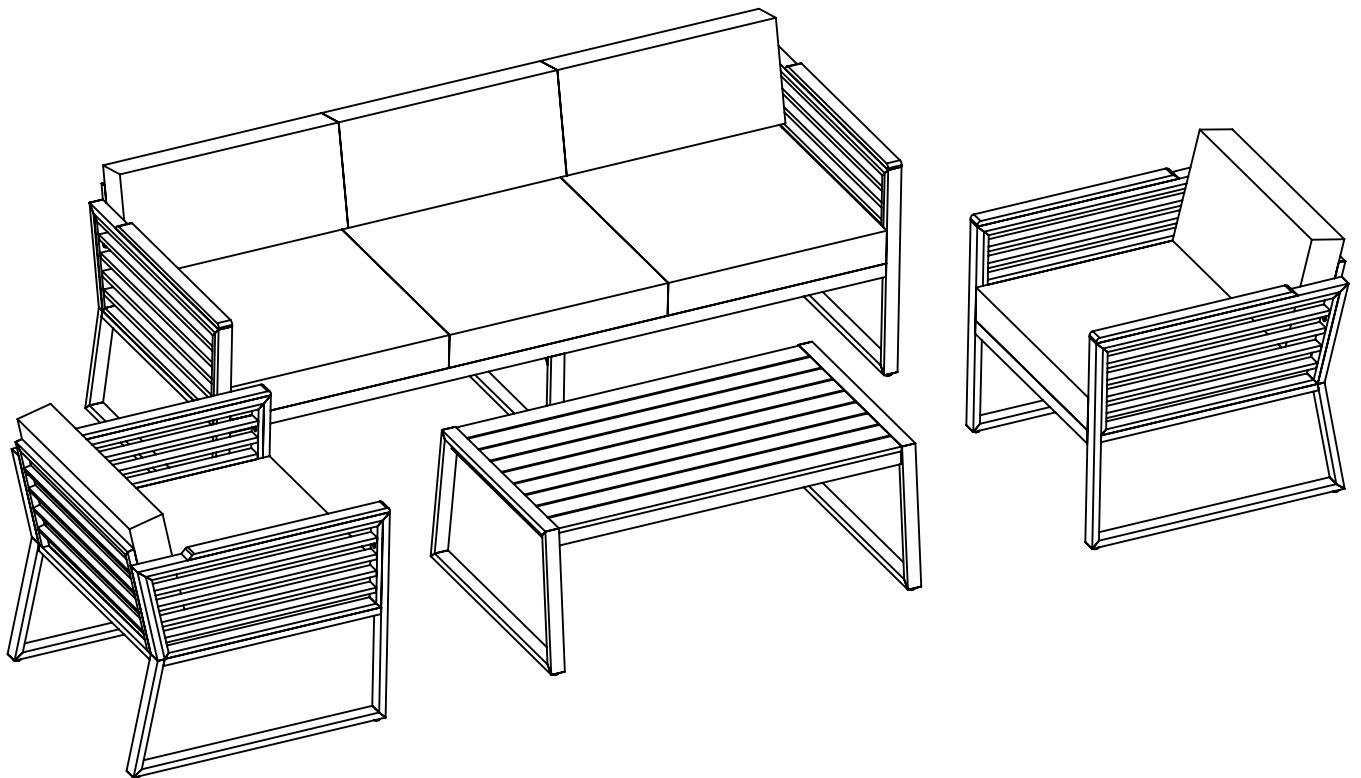
**STEP:7**



**STEP:8**



**STEP:9**



**Finish**