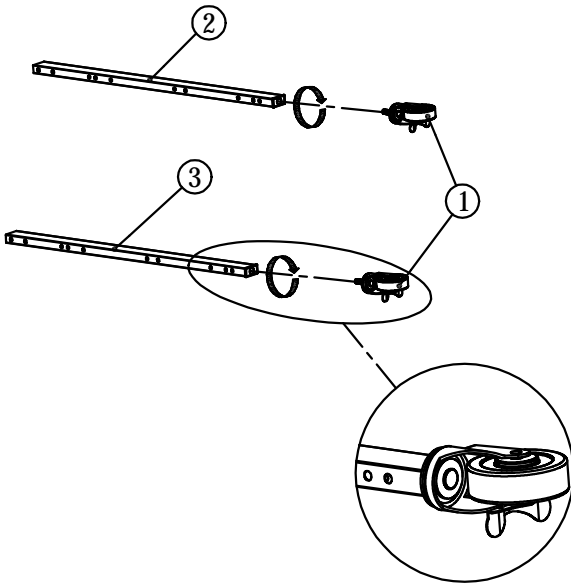
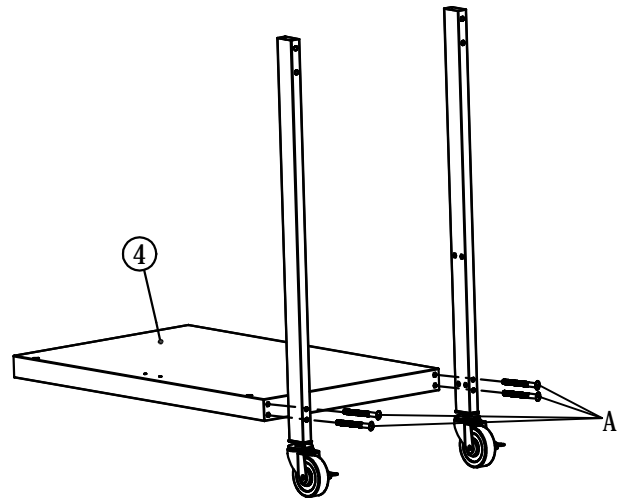


① *2 	② *1 (RF) 	③ *1 (RB)
④ *1 	⑤ *1 (LF) 	⑥ *1 (LB)
⑦ *1 	⑧ *2 	⑨ *1
⑩ *1 	⑪ *1 	⑫ *2
⑬ *2 	⑭ *1 	⑮ *1
⑯ *1 	⑰ *1 	⑱ *1
⑲ *1 	⑳ *1 	㉑ *1
㉒ *2 	㉓ *1 	㉔ *2
㉕ *4 	㉖ *2 	㉗ *2
A M5-55*24 	B M5-10*25 	C M4-8*4
D *3 	E *2 	F *1
G $\varnothing 28-\varnothing 10 * 2$ 		

1

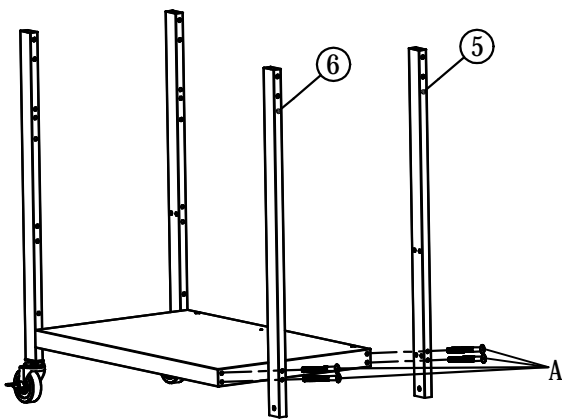


2

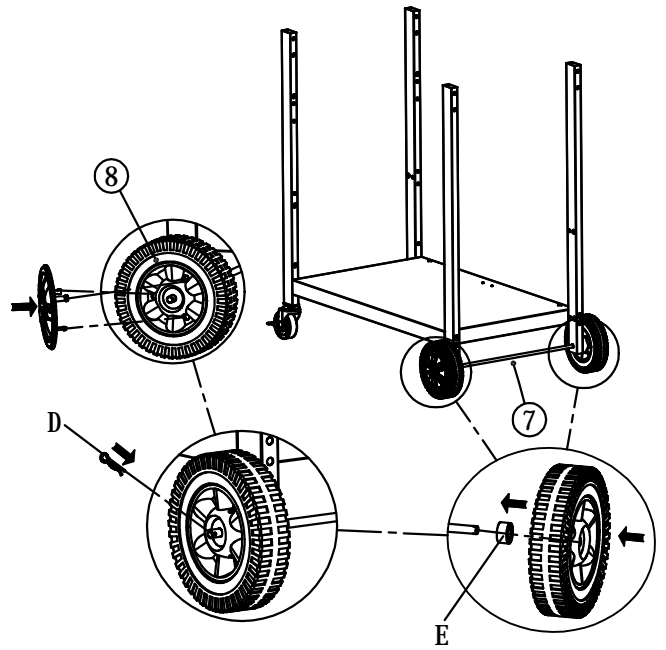


A		4PCS
---	--	------

3



4

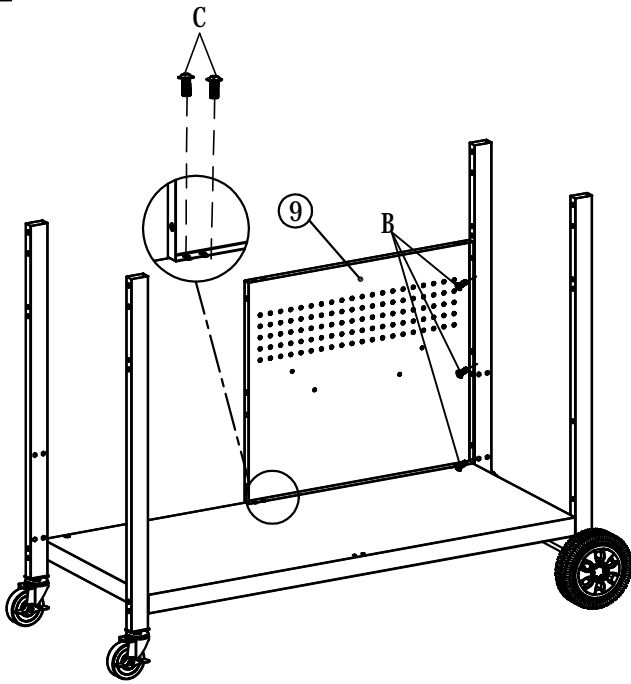




D		2PCS
---	--	------

E		2PCS
---	---	------

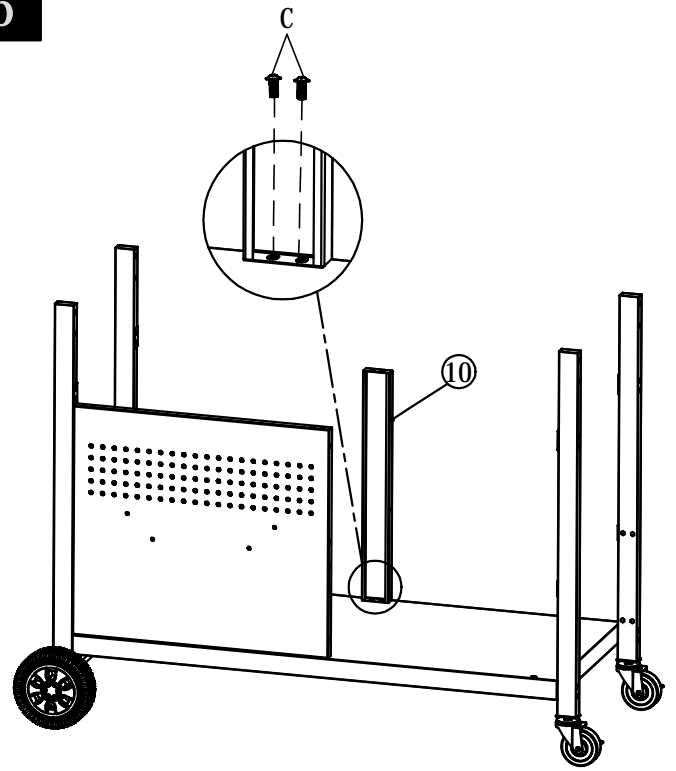
A		4PCS
---	---	------

5



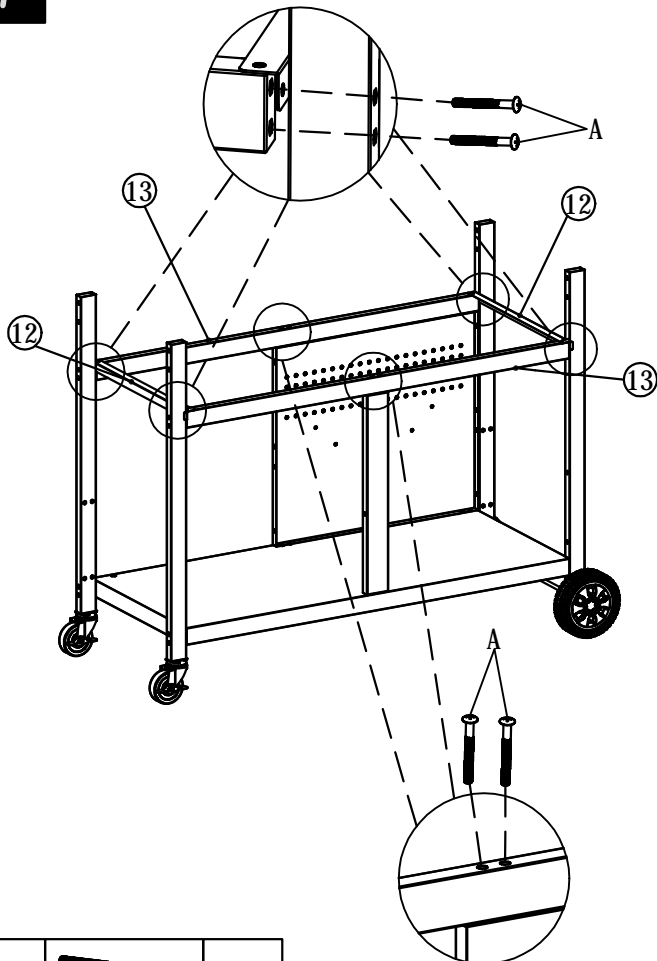
B		3PCS
C		2PCS


6



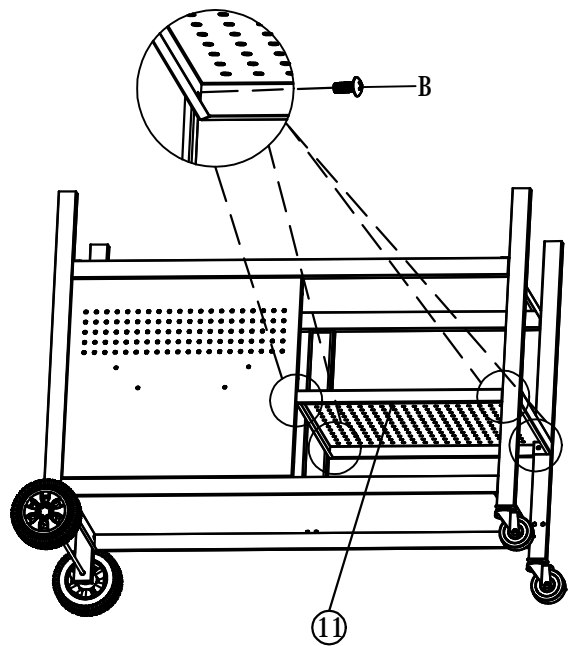
C		2PCS
---	--	------


7



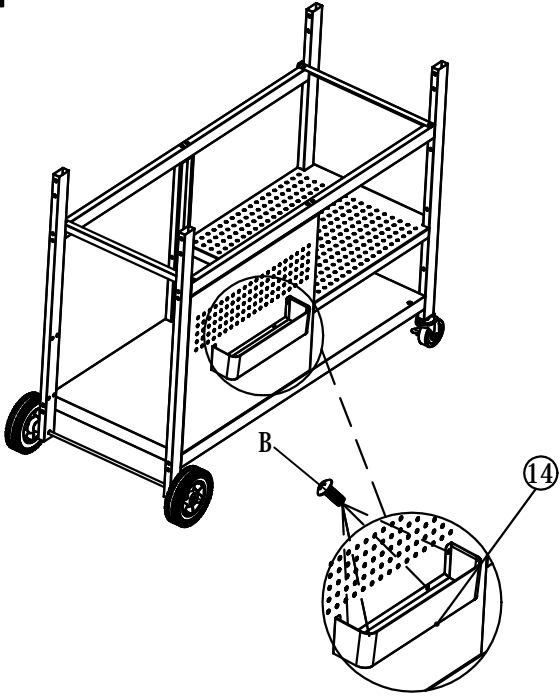
A		12PCS
---	---	-------

8

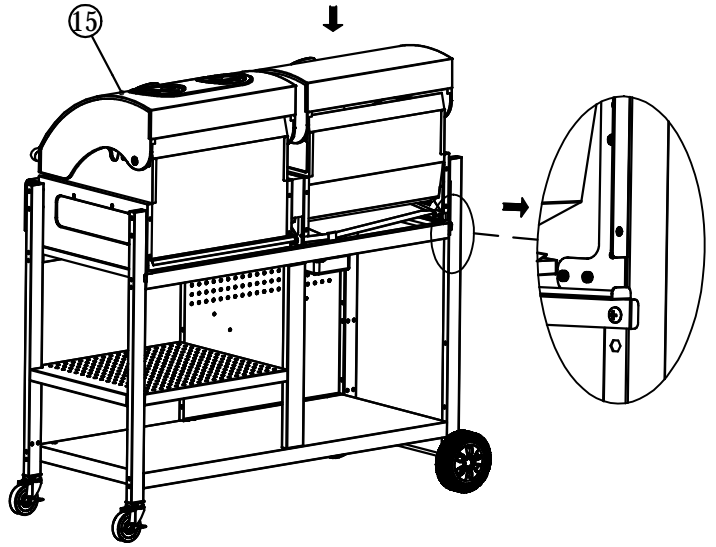


B		4PCS
---	--	------

9



10

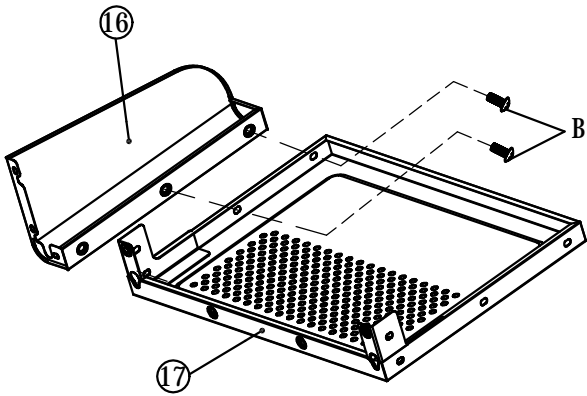


B

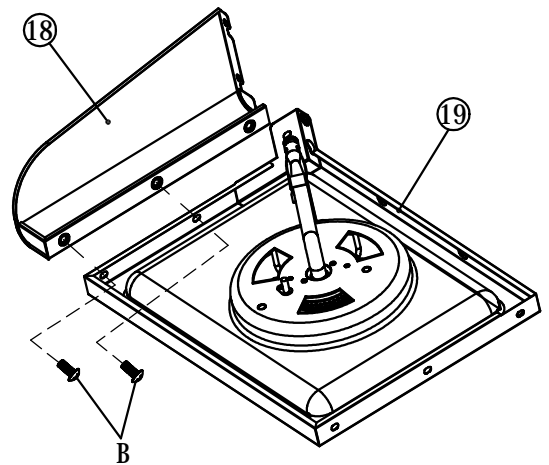


4PCS

11



12



B



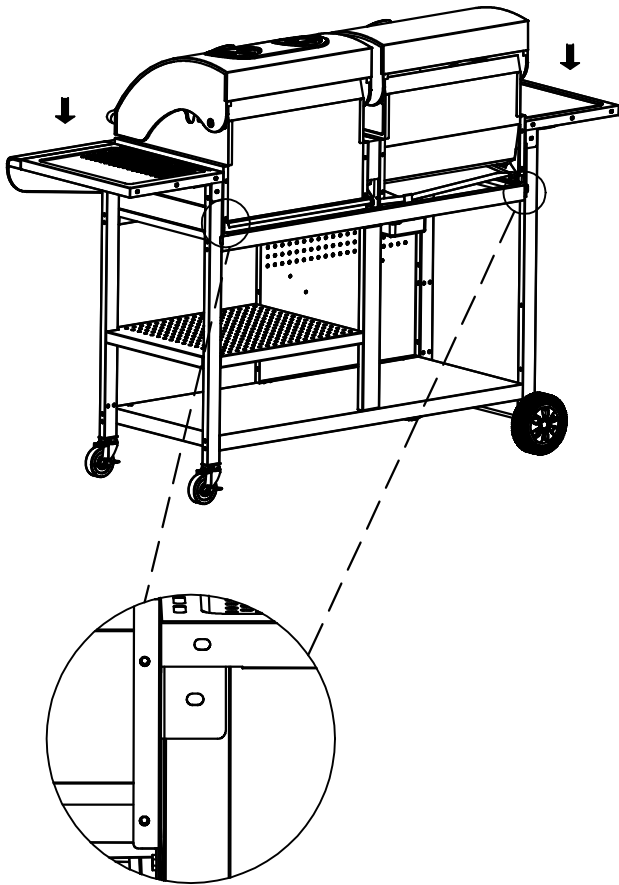
2PCS

B

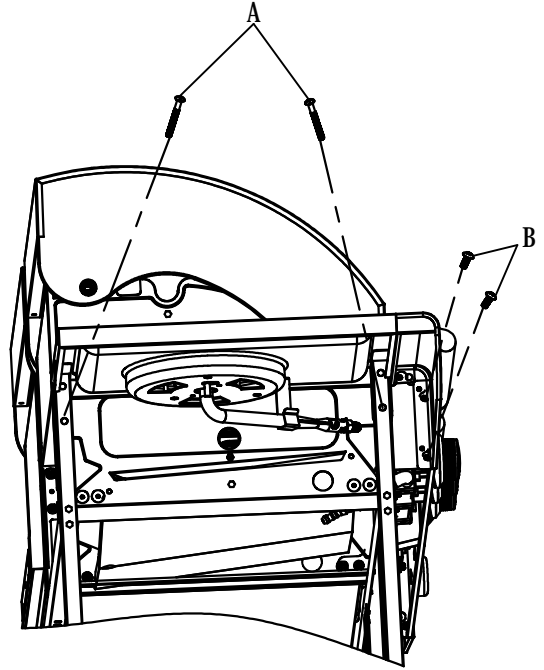




2PCS

13

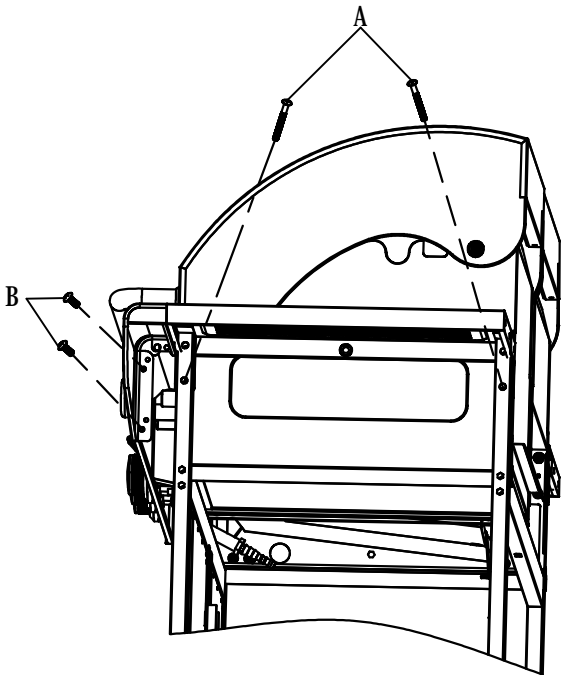




14



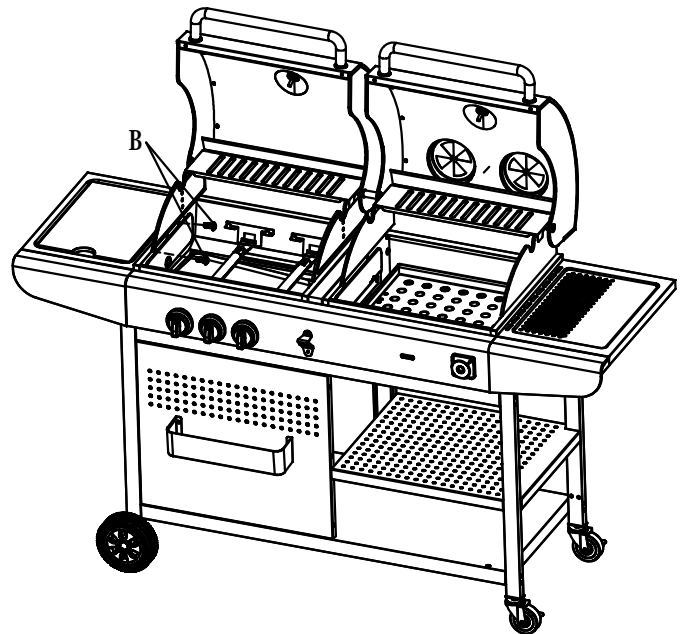
A		2PCS
B		2PCS

15



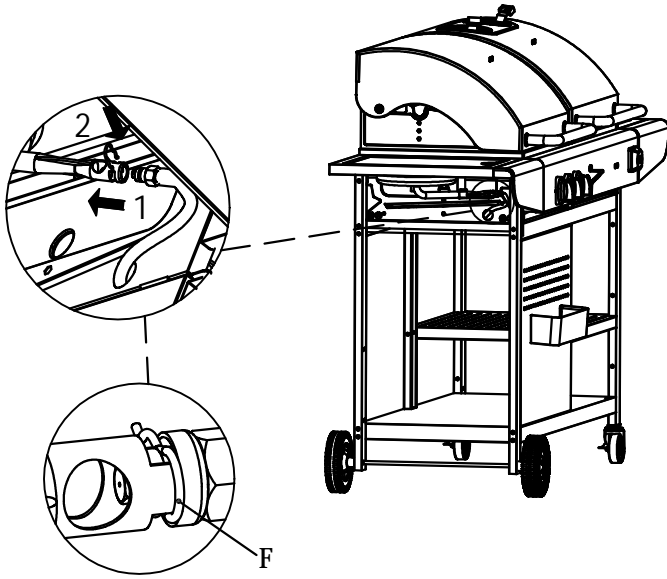
A		2PCS
B		2PCS

16



B		4PCS
---	--	------

17

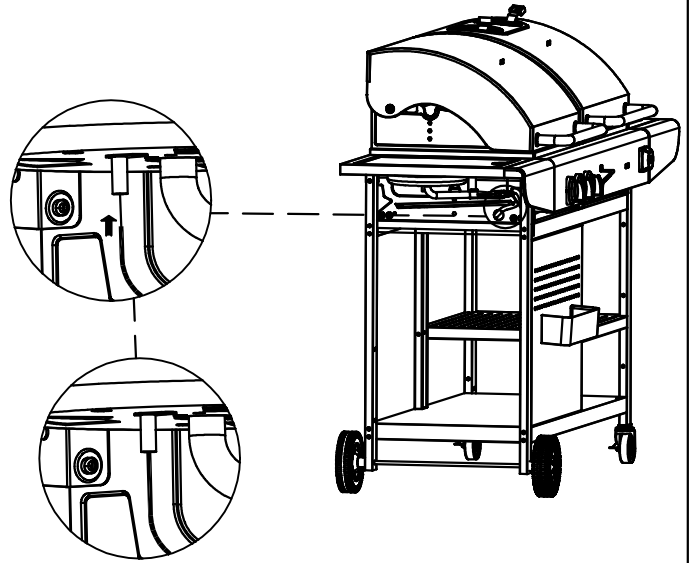


F

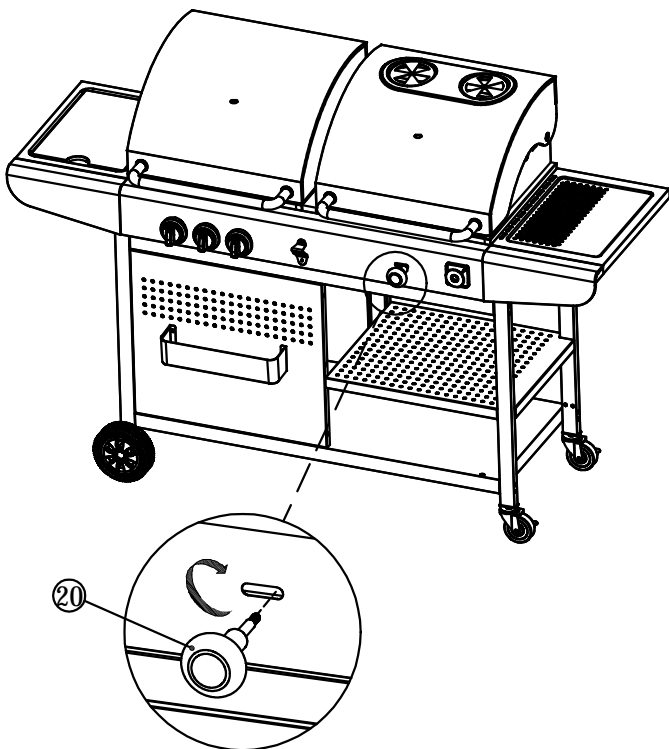


1PC

18

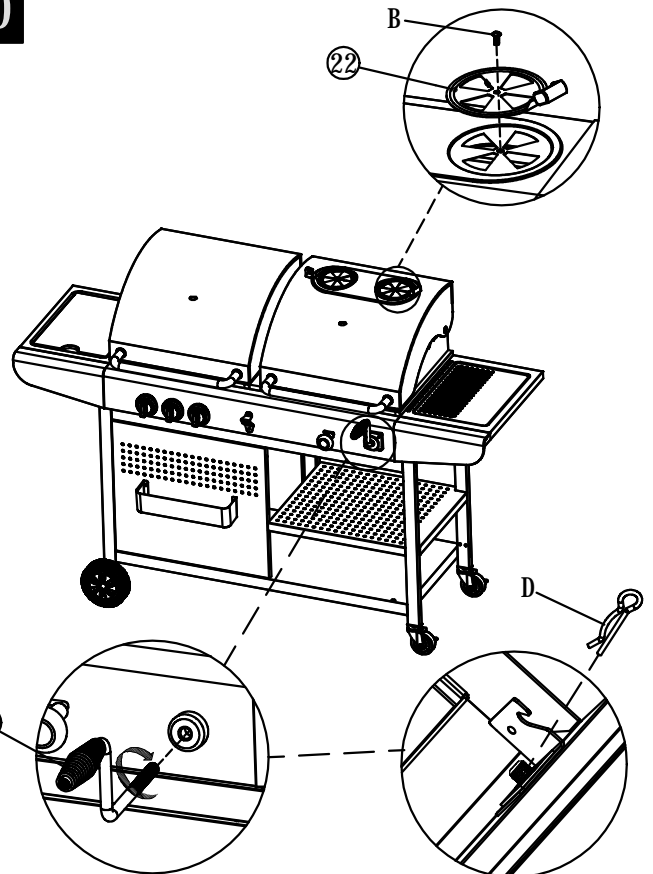


19



20

20



D



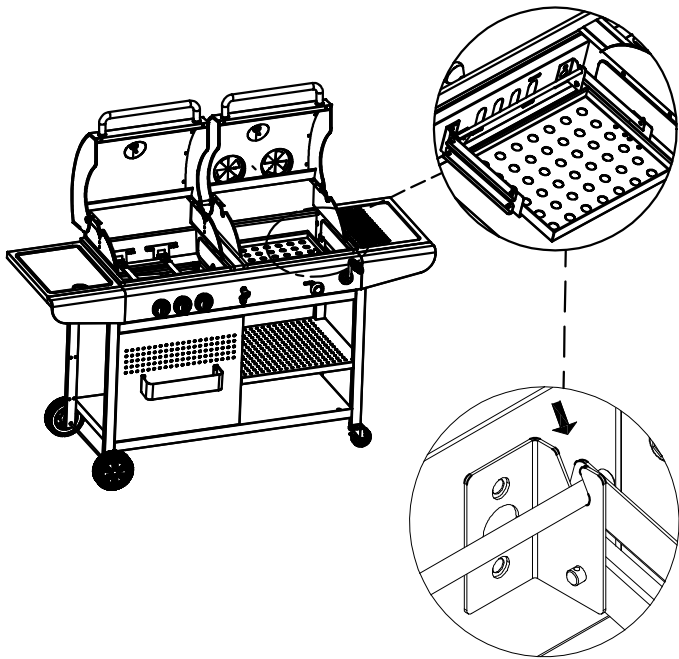
1PC

B

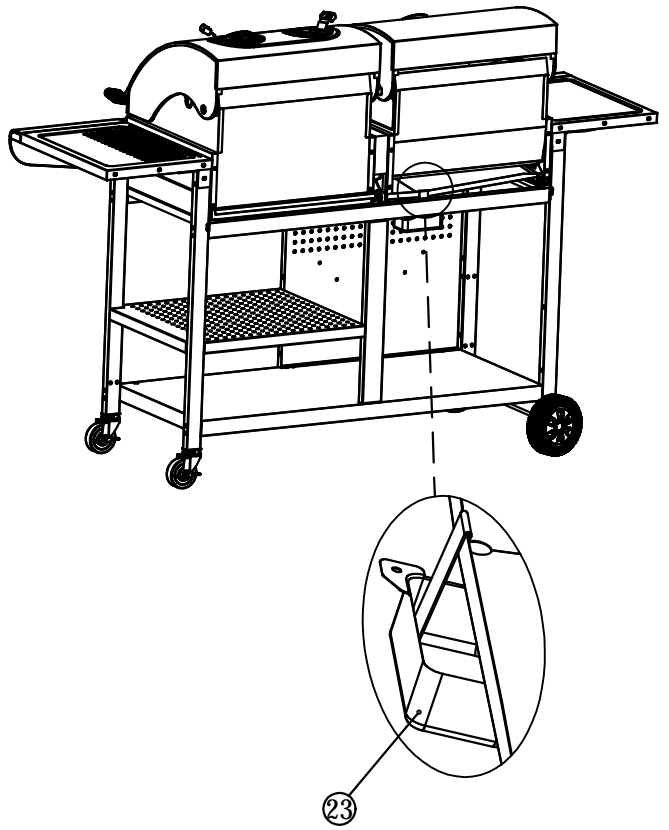


2PCS

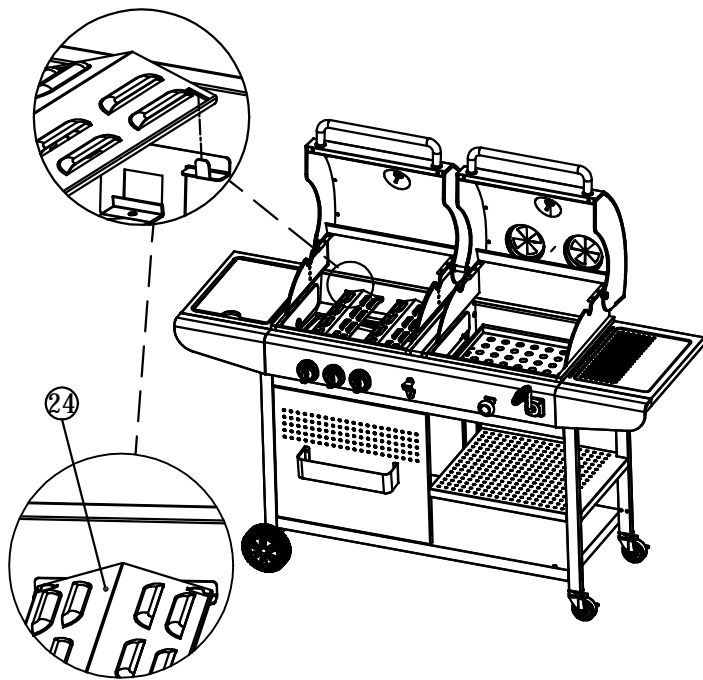
21



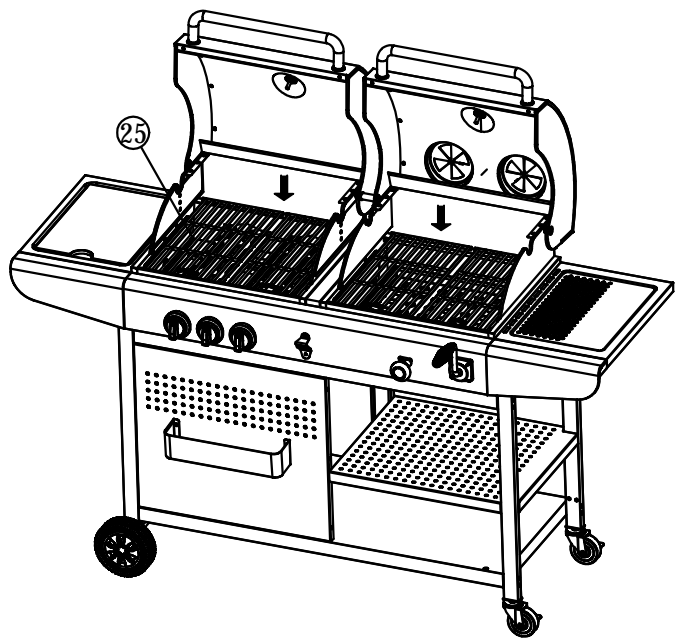
22



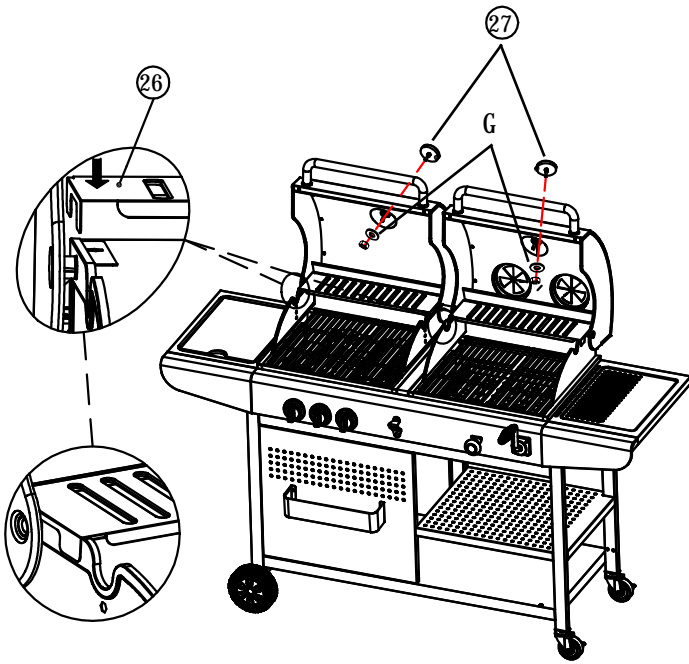
23



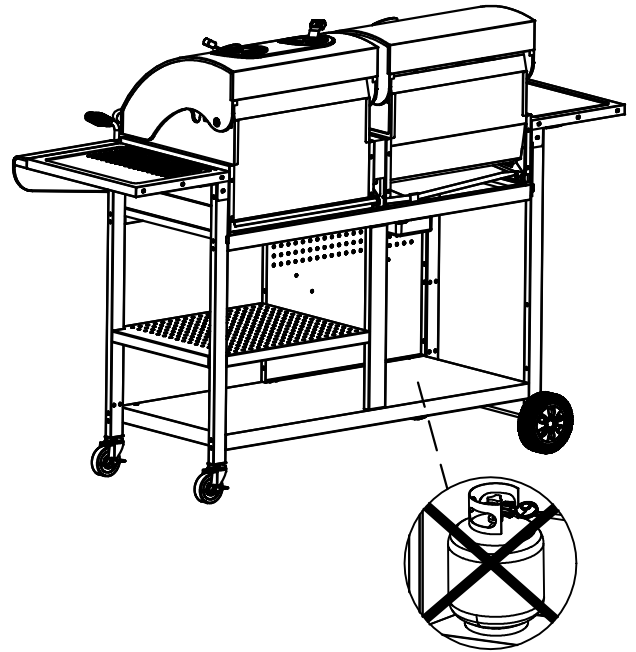
24



25



26



G		2PC
---	---	-----