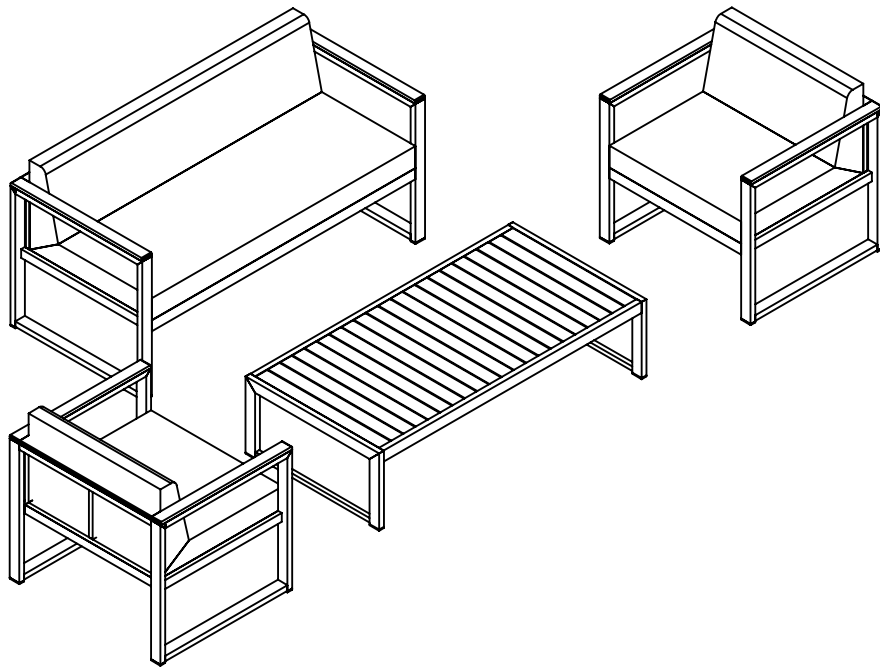
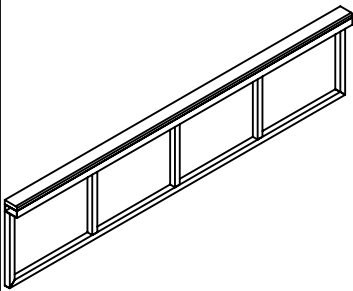


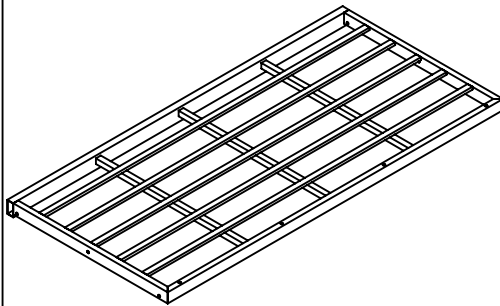
# DESCRIPTION



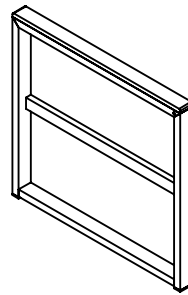
Ax1



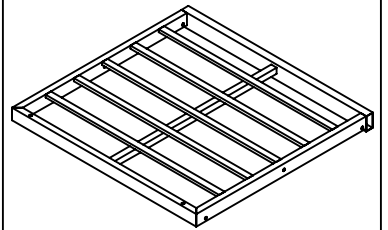
B1x1



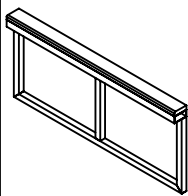
Cx6



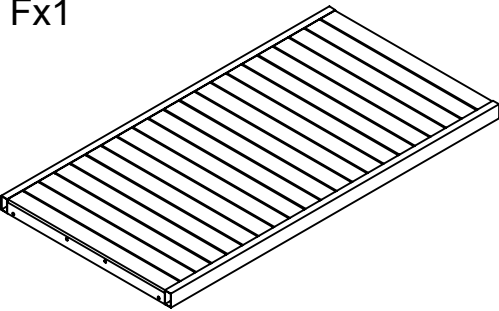
Dx2



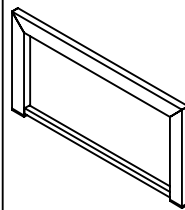
Ex2



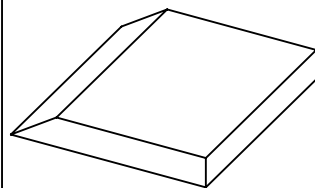
Fx1



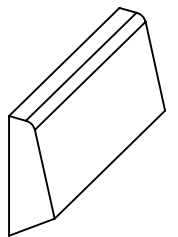
Gx2



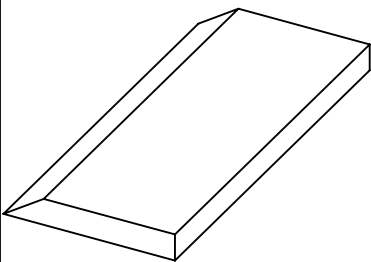
Hx2



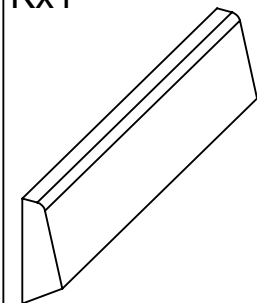
Ix2



Jx1



Kx1

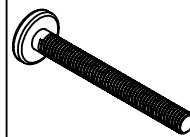


① x26



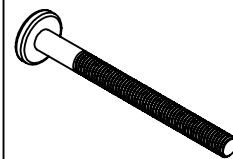
M6x35

② x8



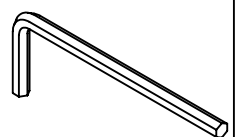
M6x55

③ x6

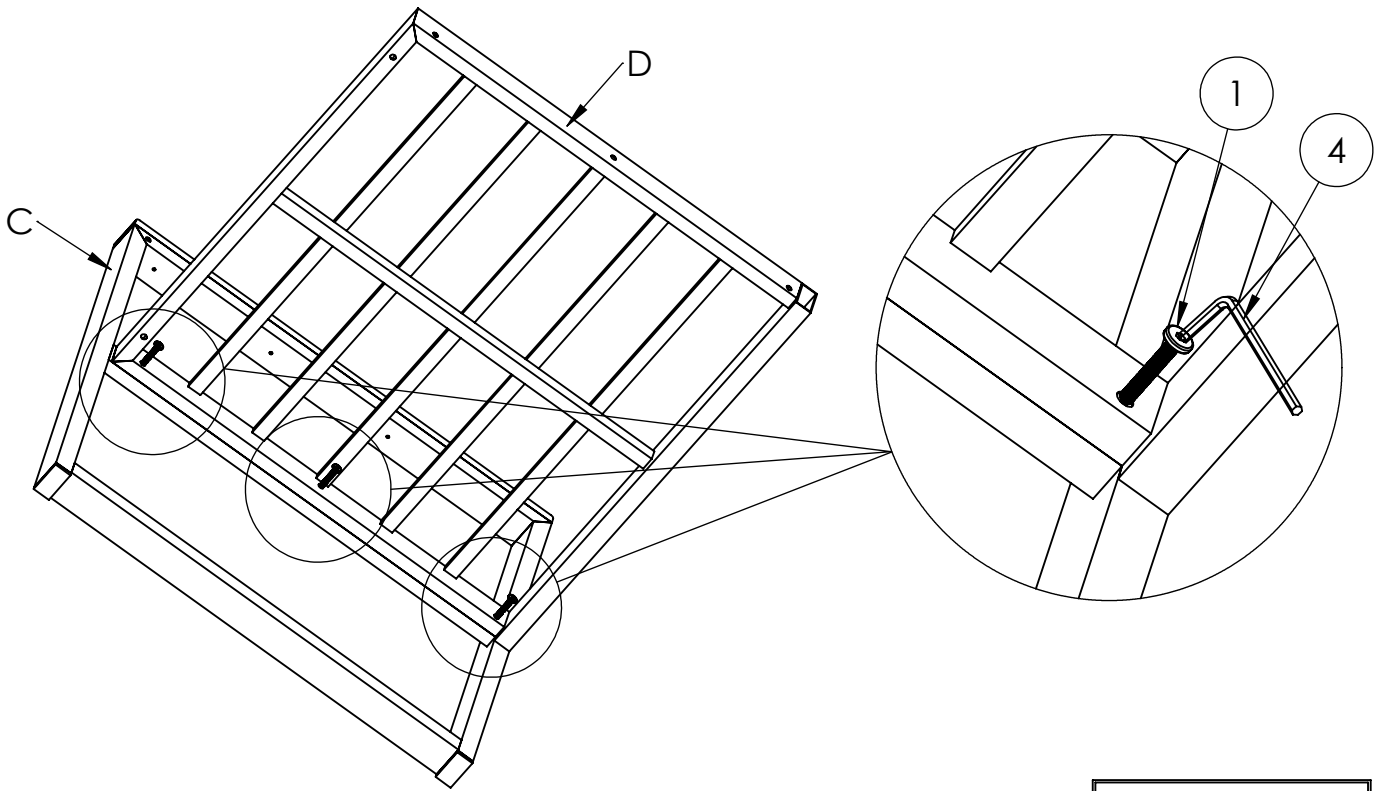


M6x70

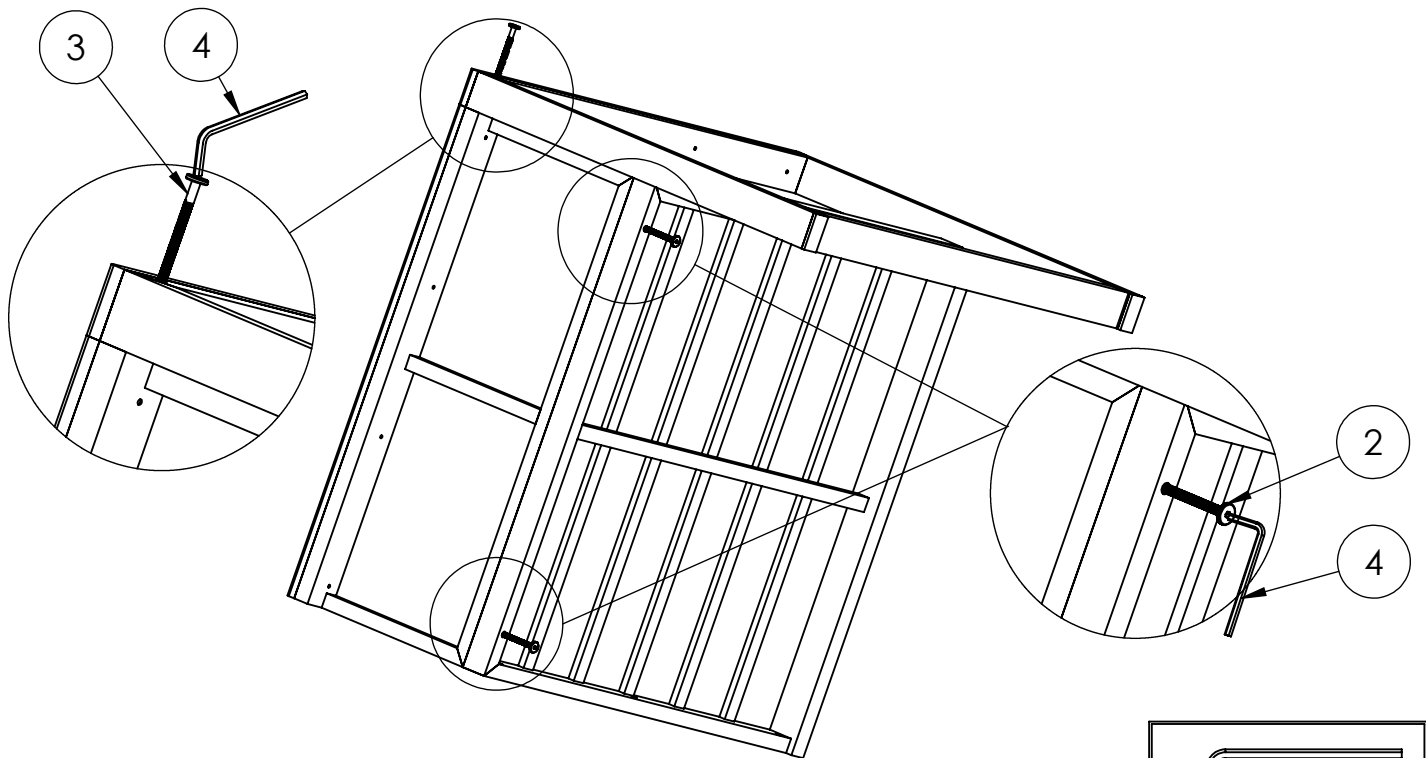
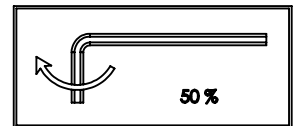
④ x2



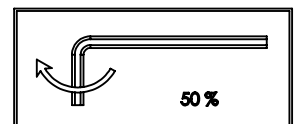
M4

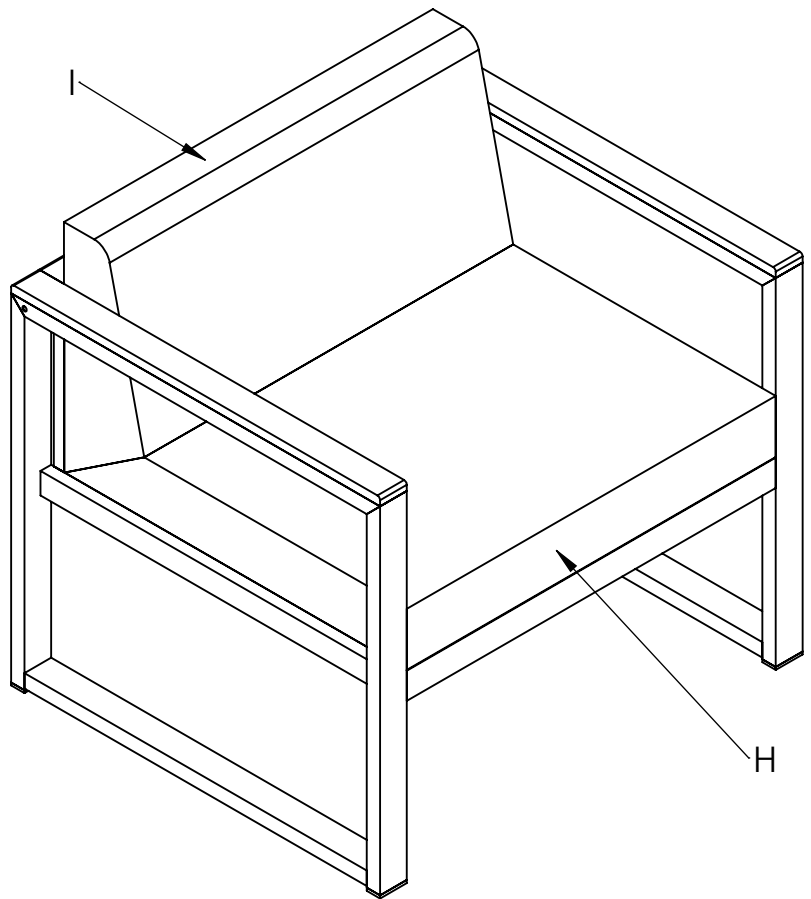
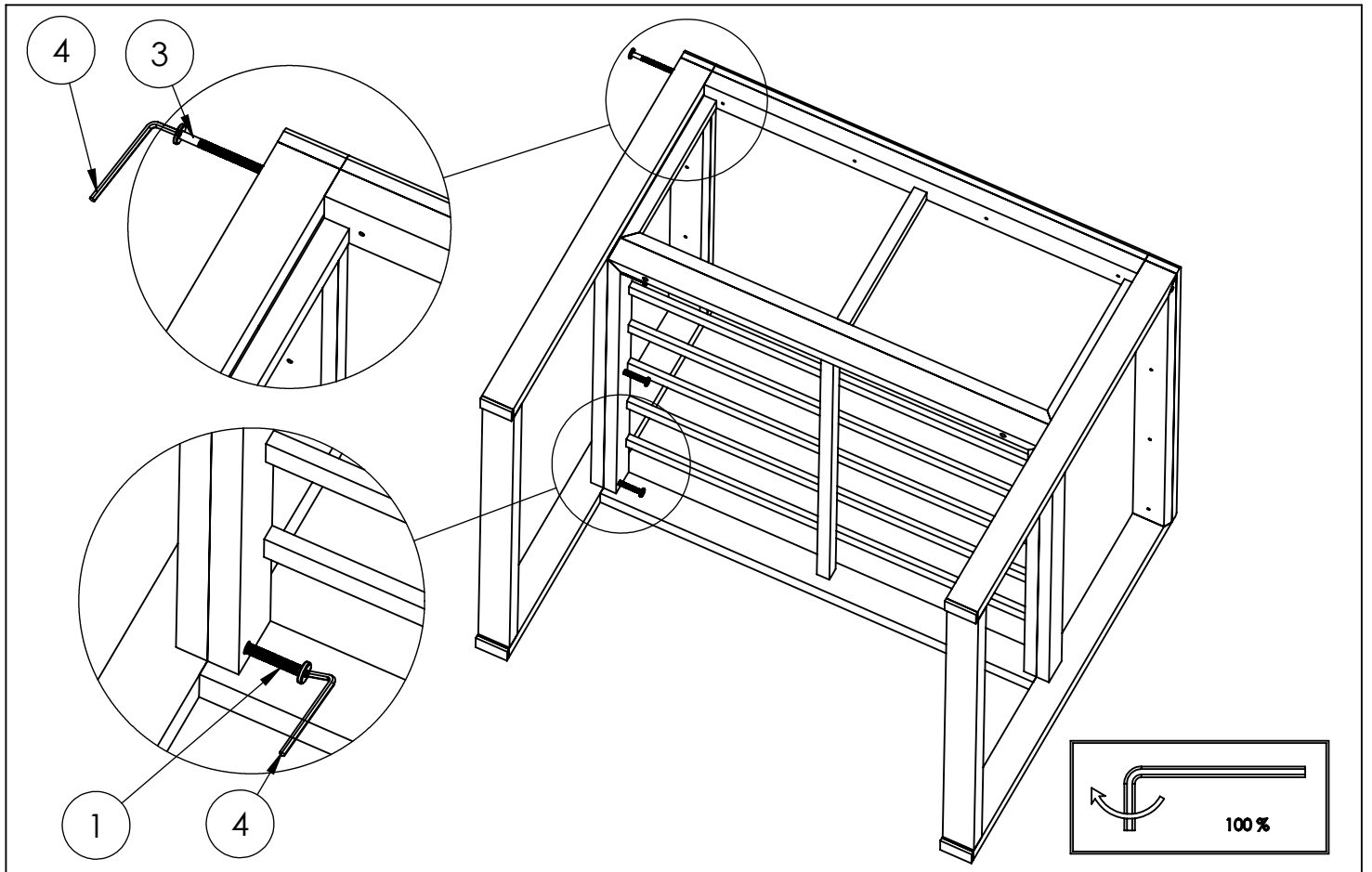


**STEP:1**

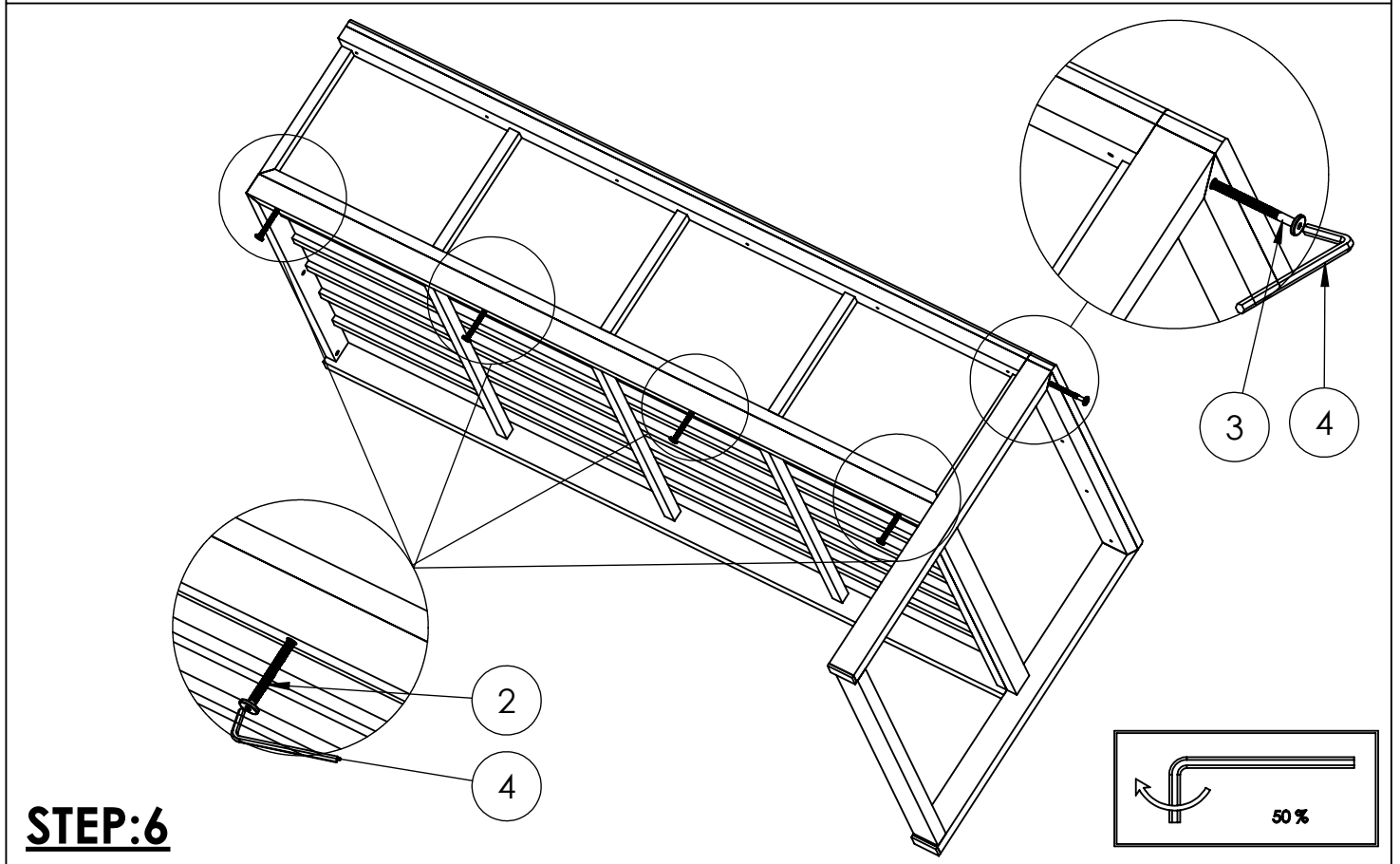
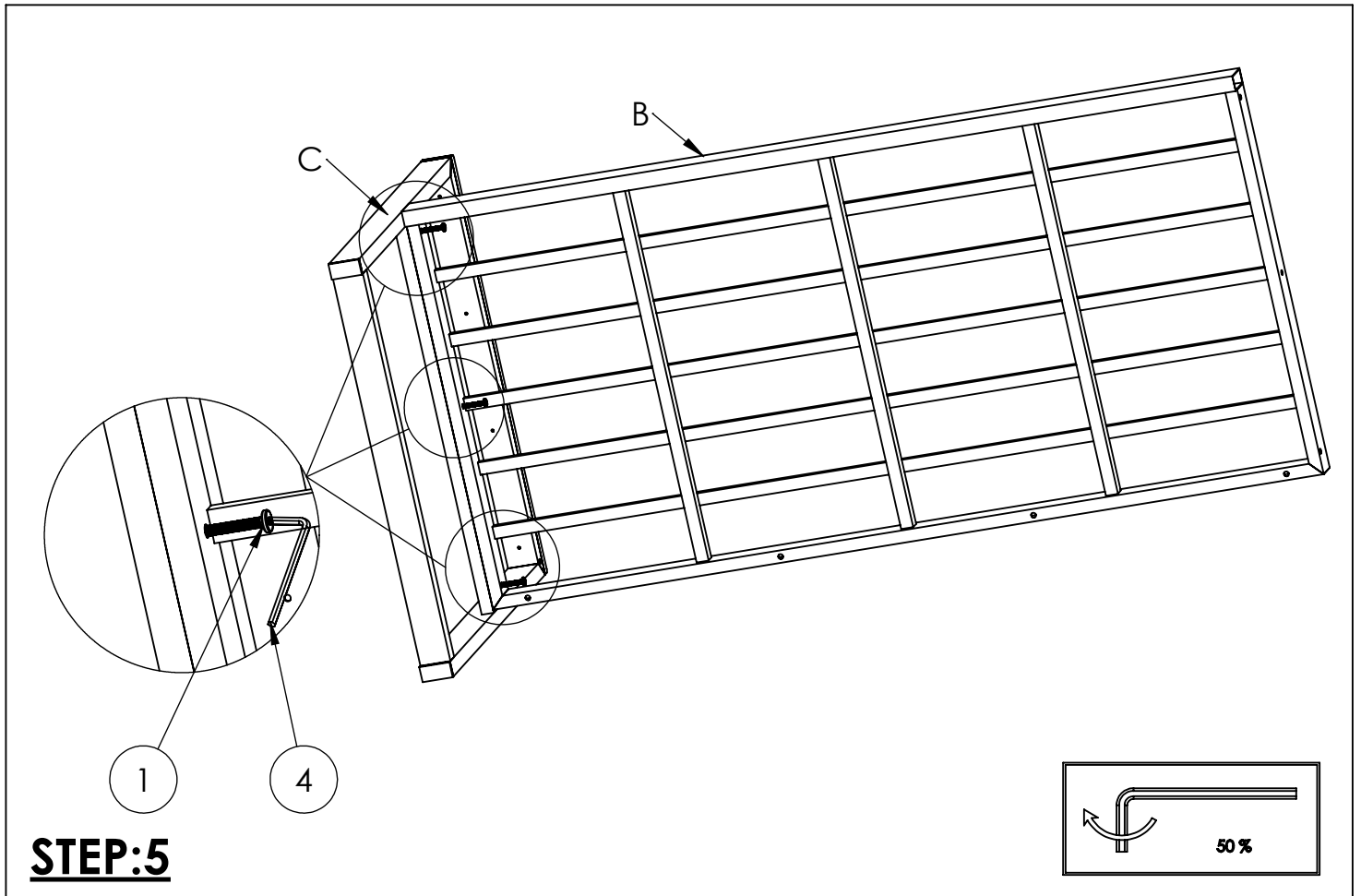


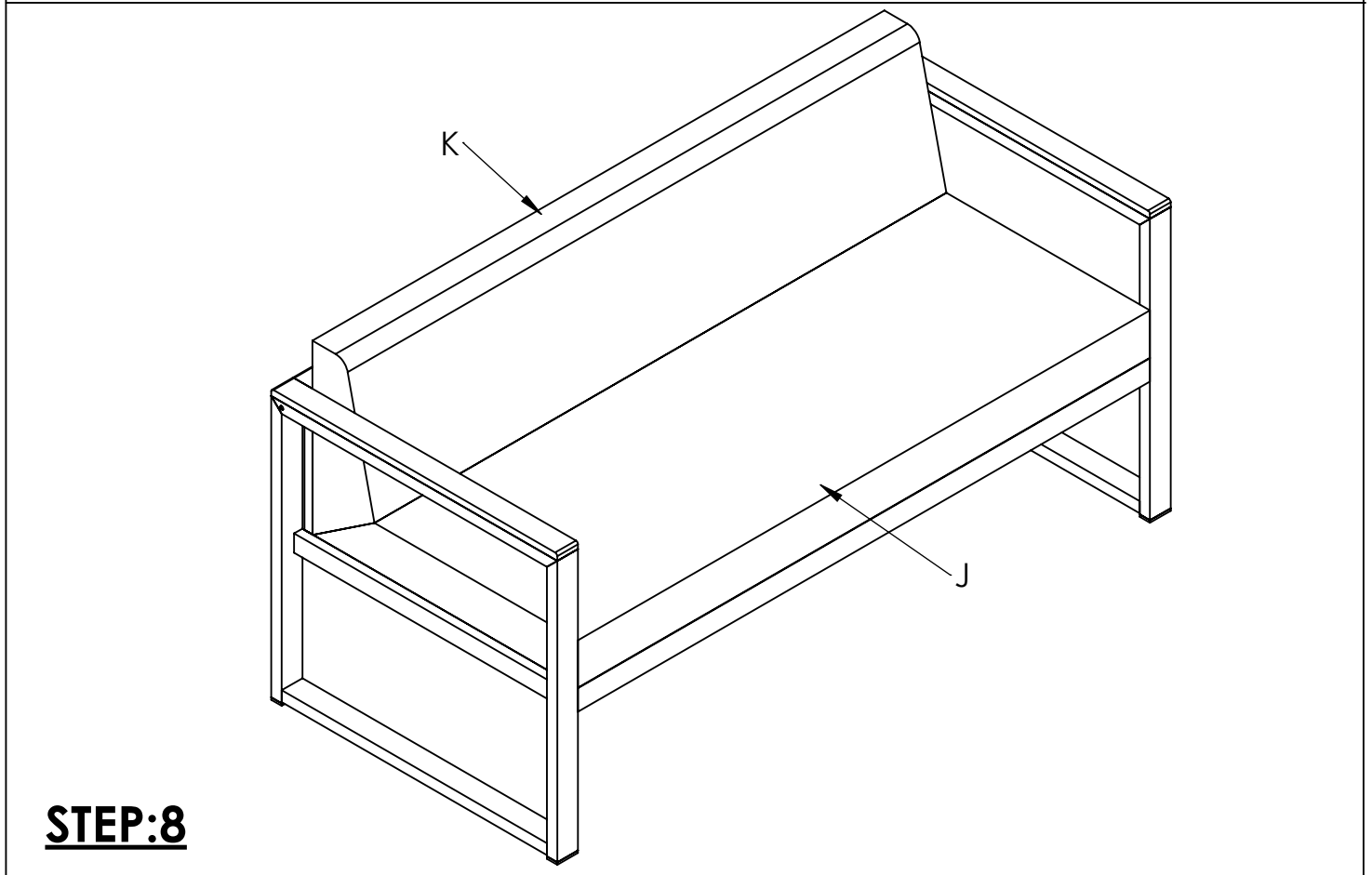
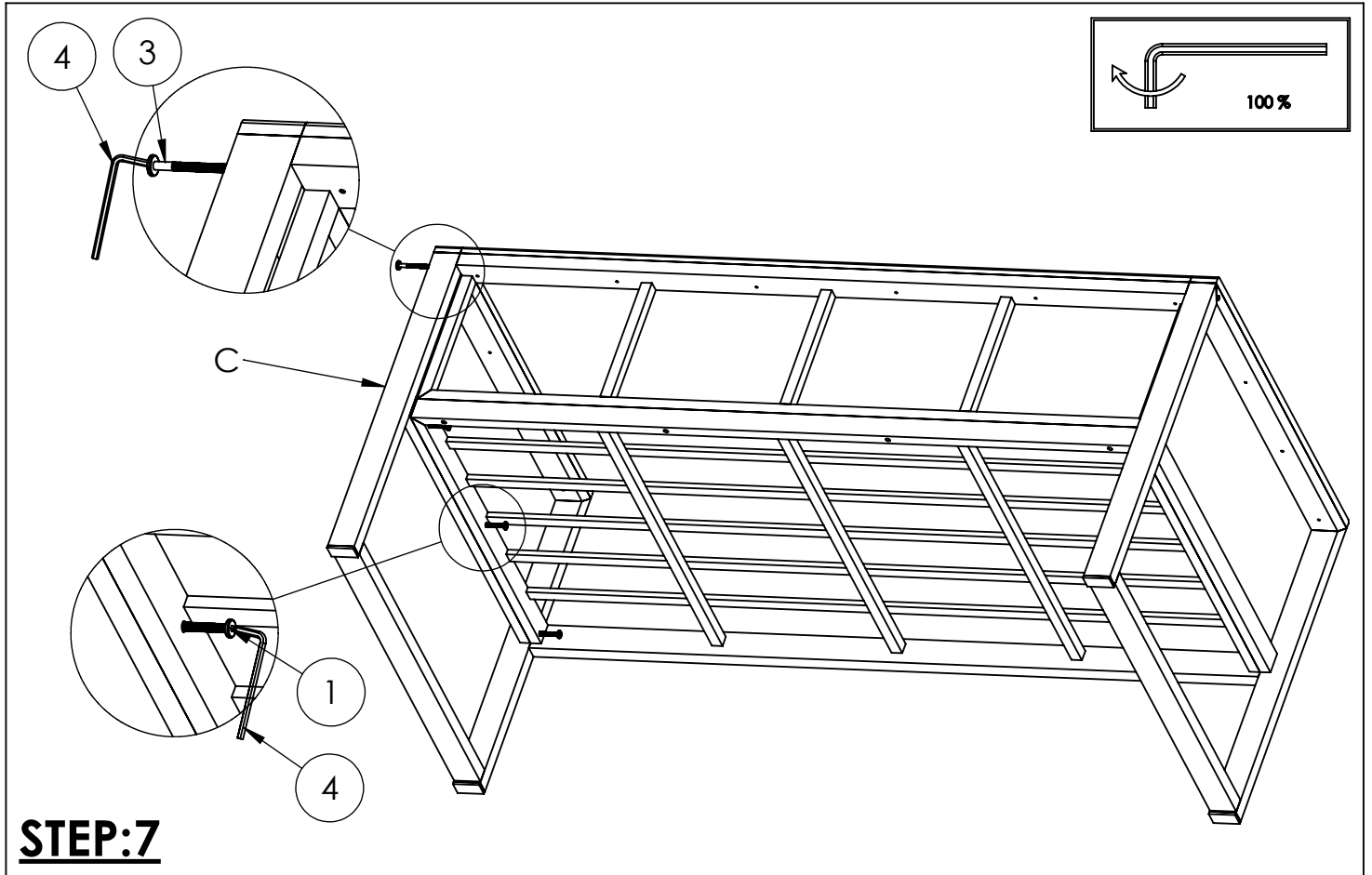
**STEP:2**

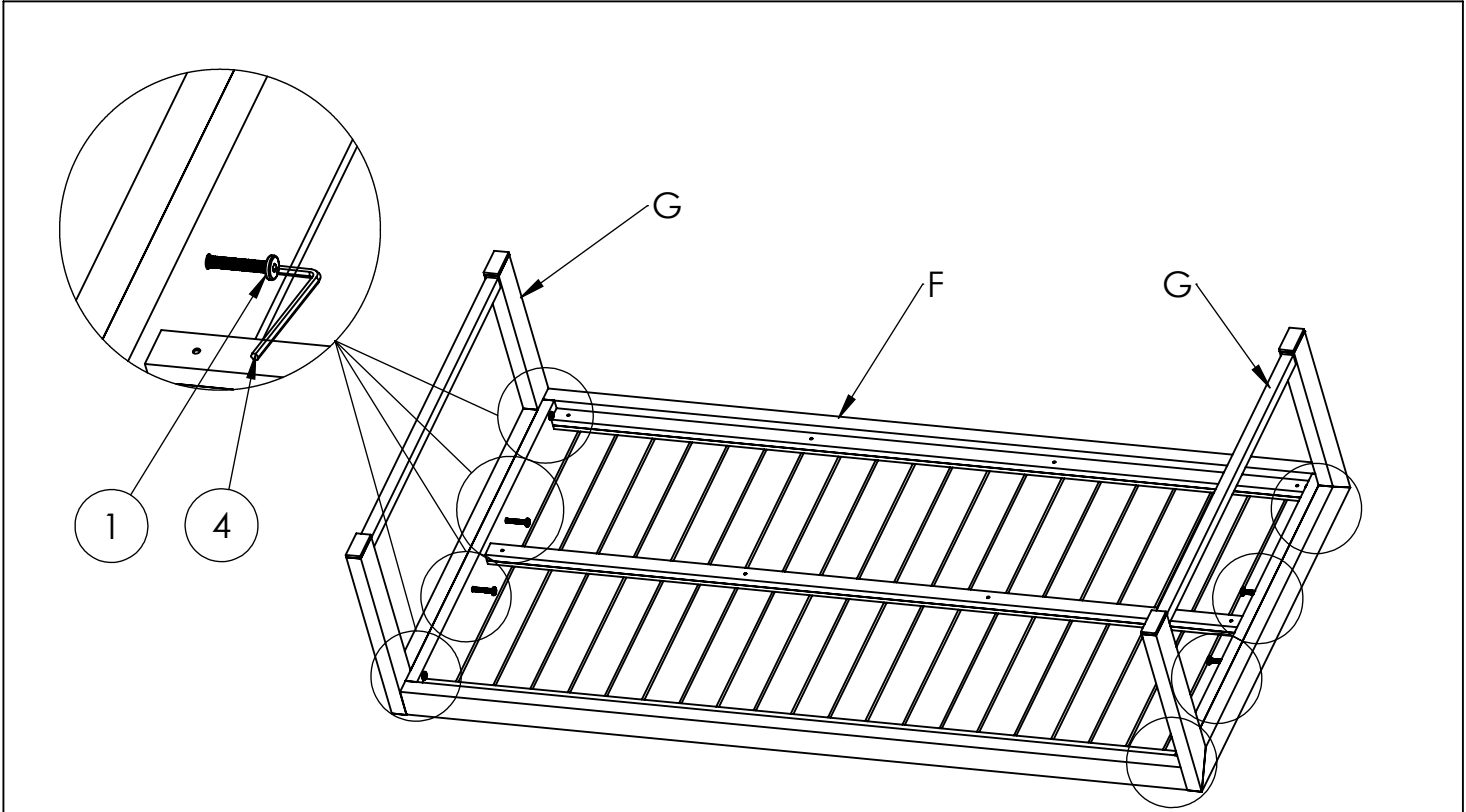




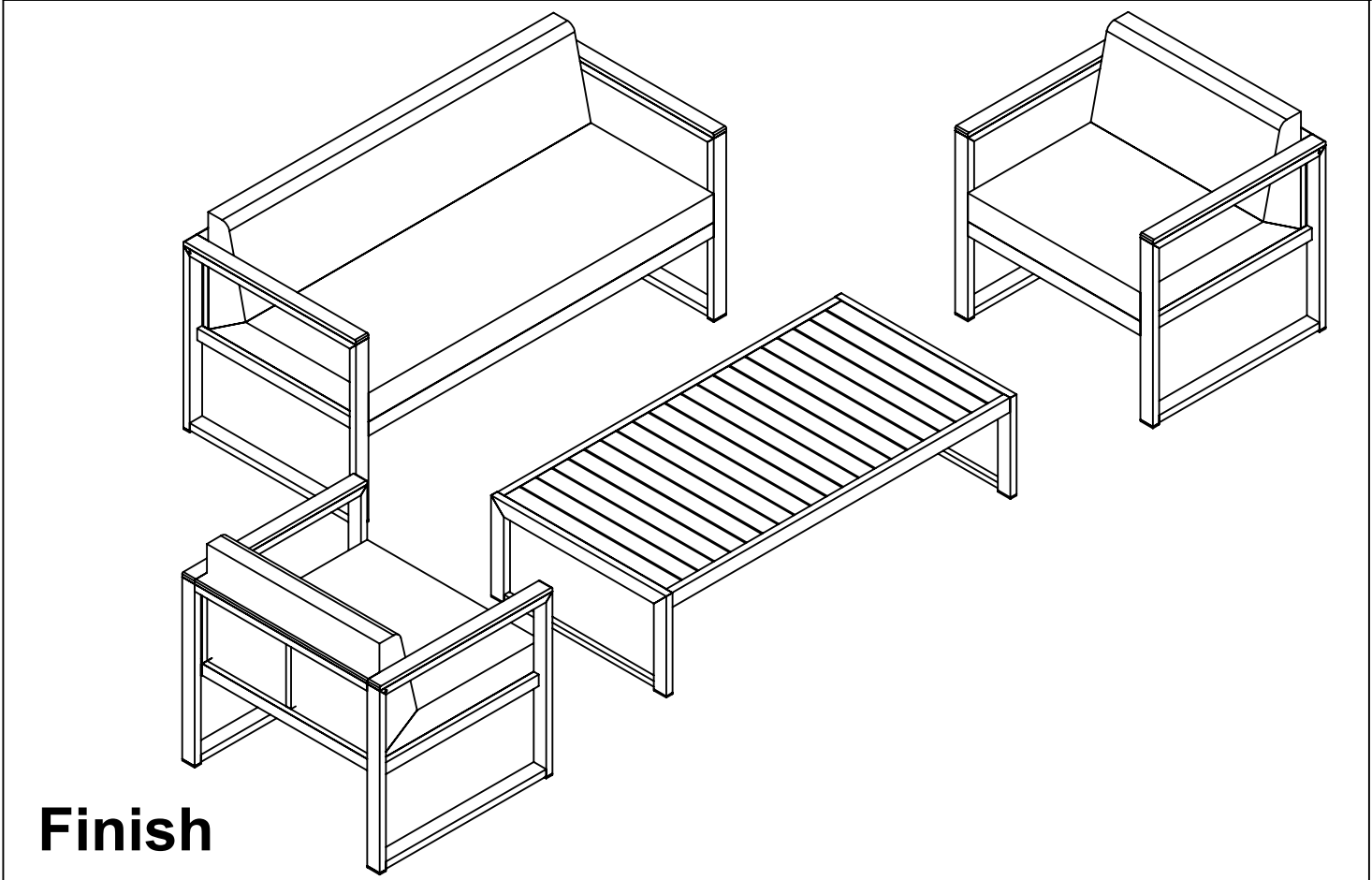
**STEP:4**







**STEP:9**



**Finish**