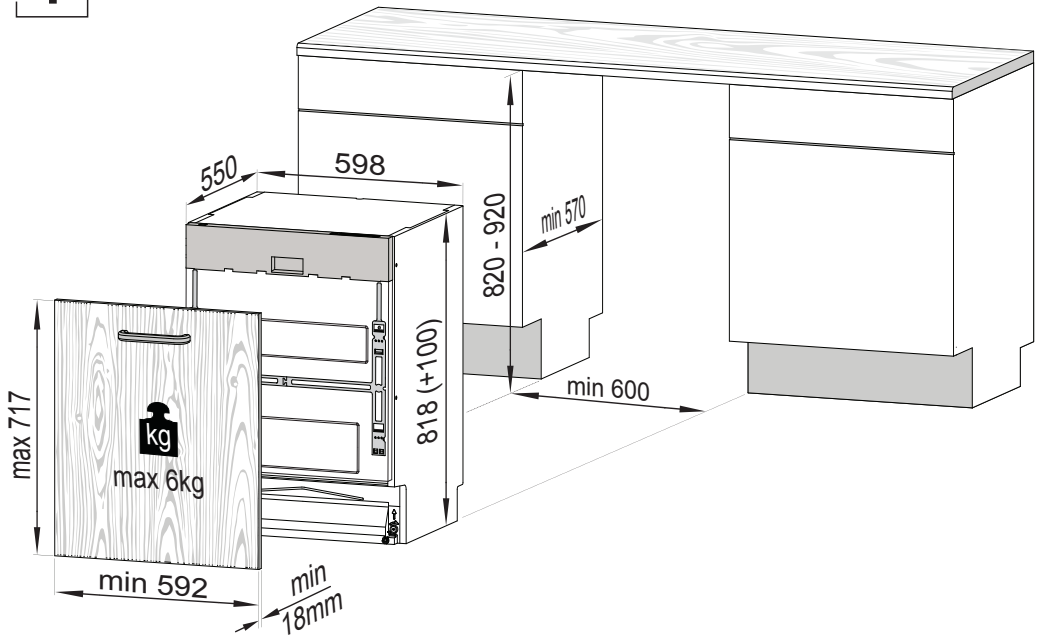
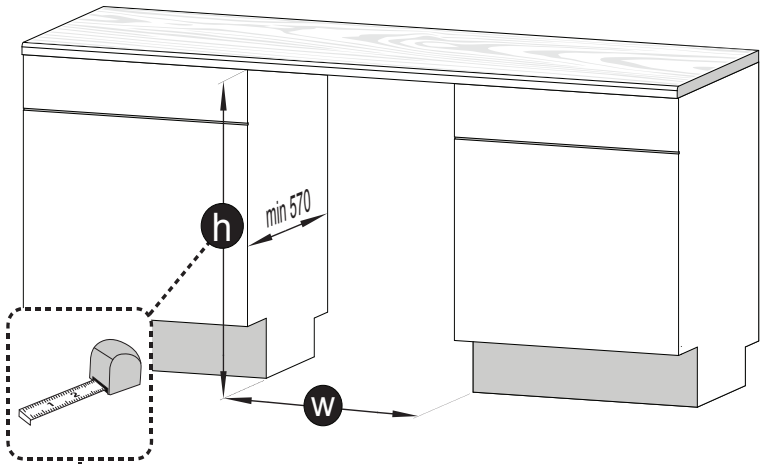


1



2



$h = 870 - 920$

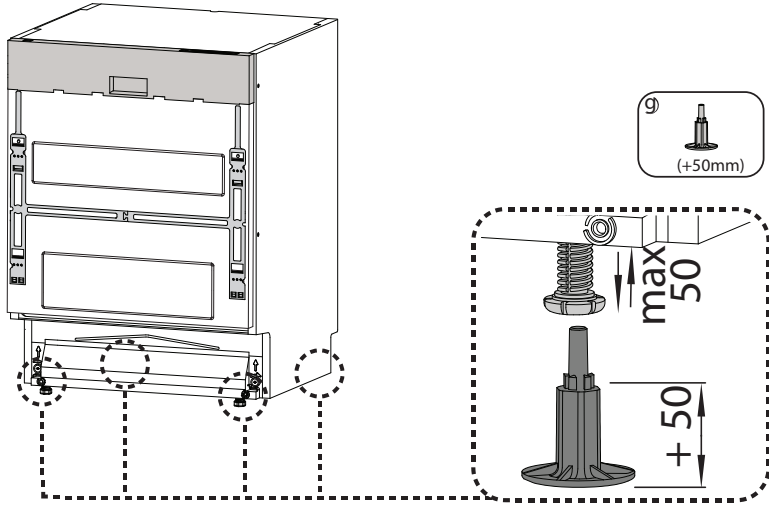
3

$h = 820 - 870$

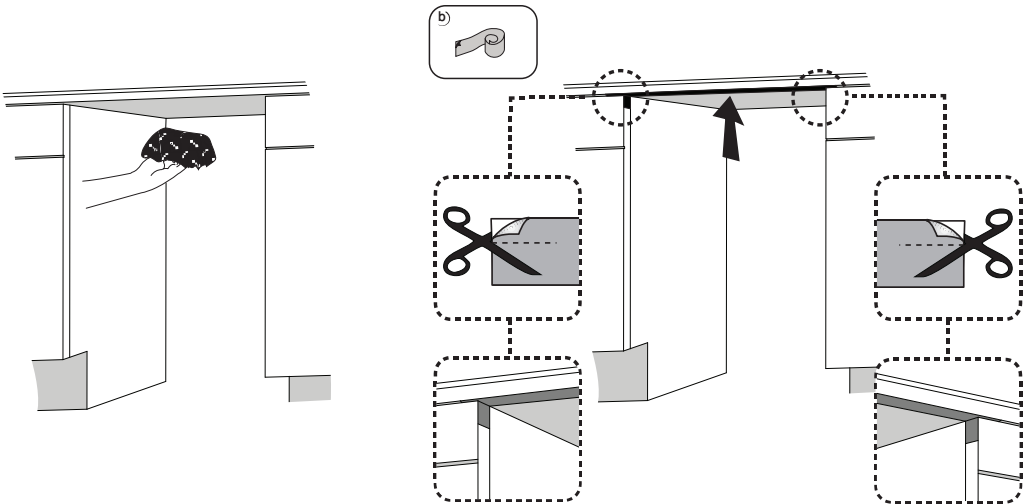
4



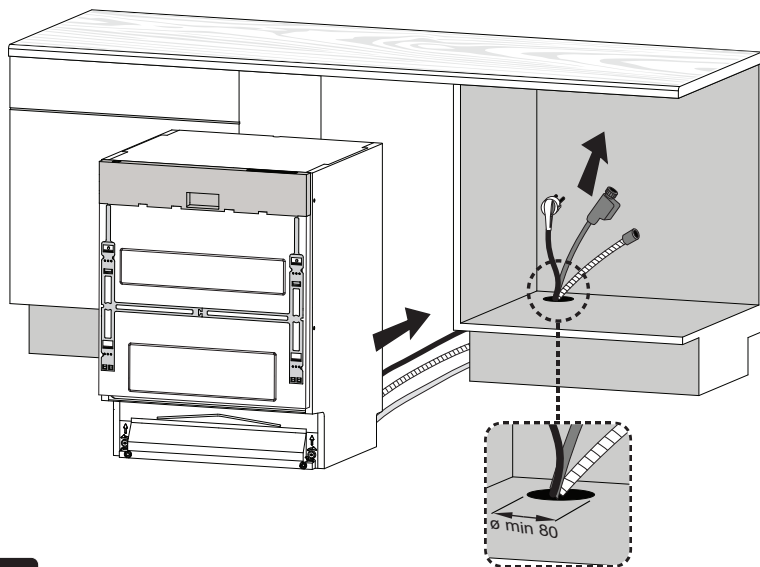
3



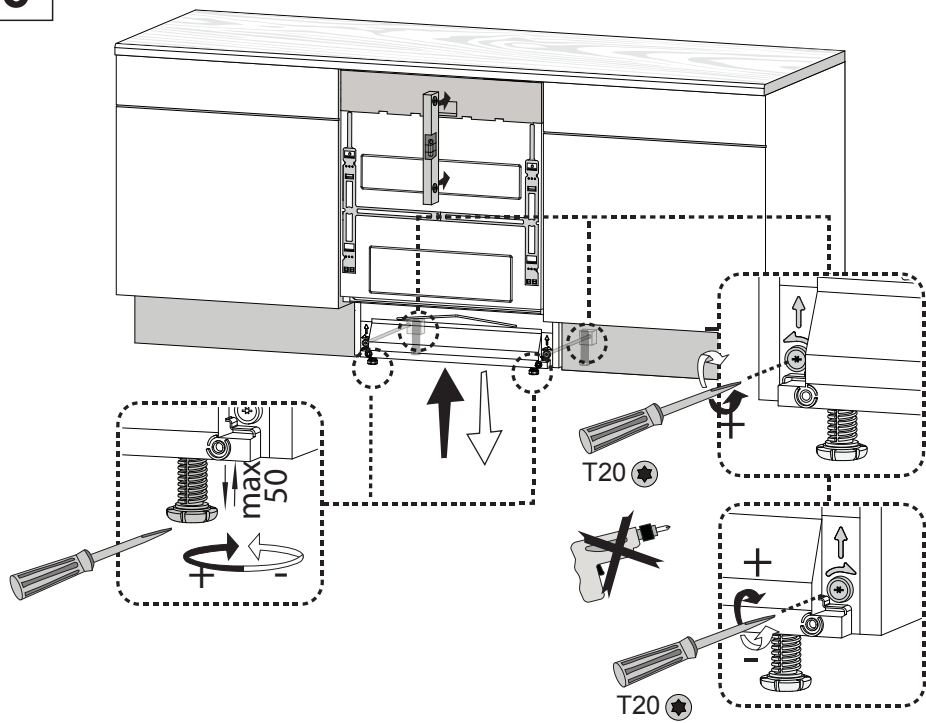
4



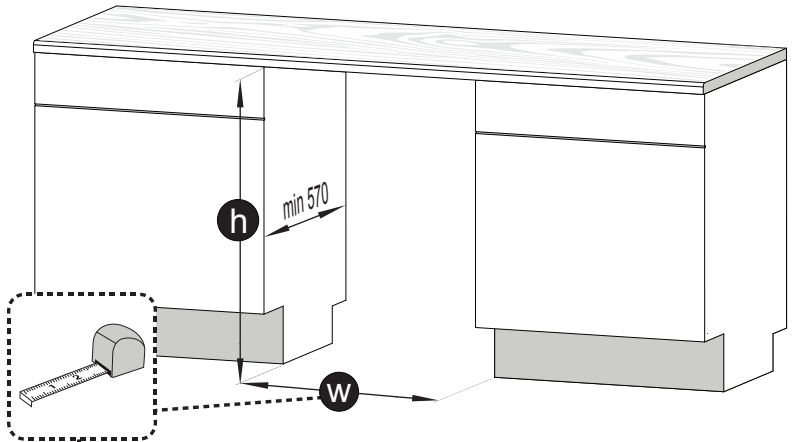
5



6



7



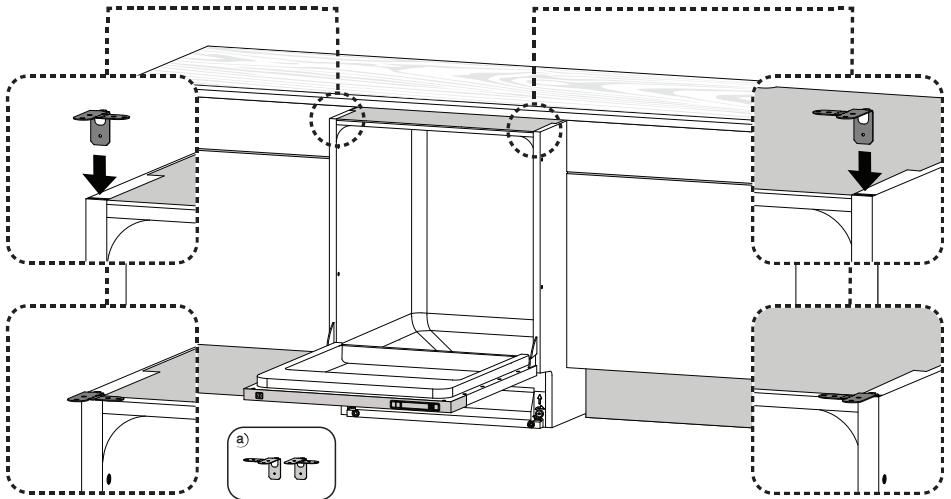
$w > 610$

8

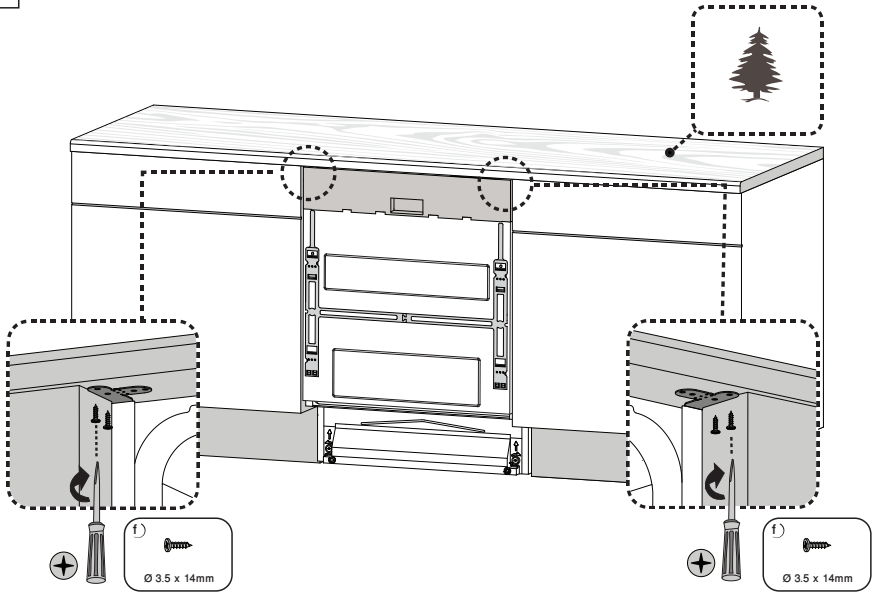
$w = 600 - 610$

10

8

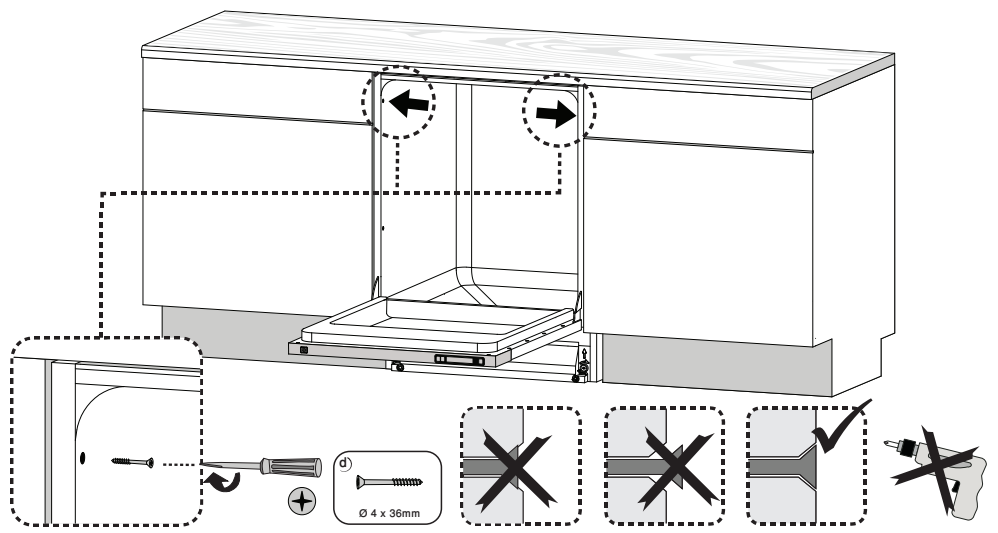


9

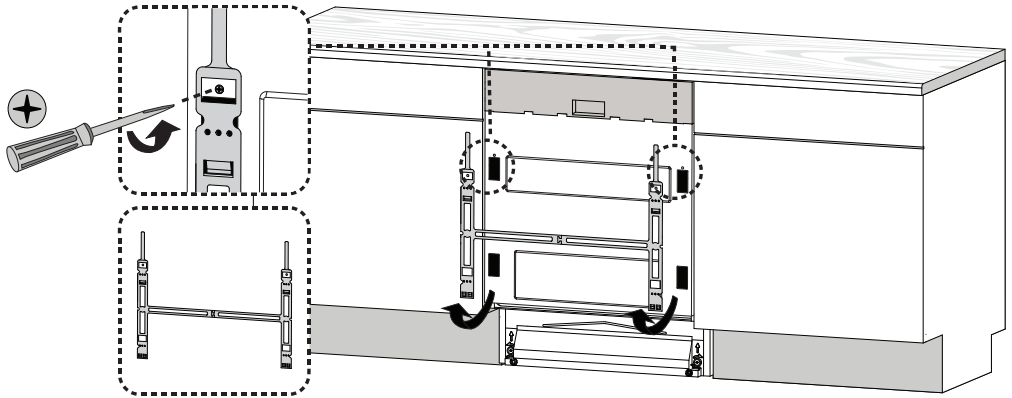


11

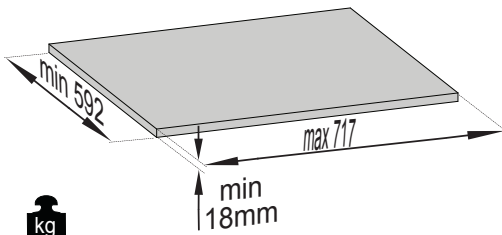
10



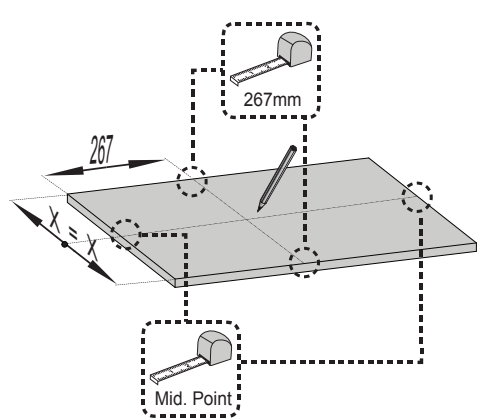
# 11



# 12



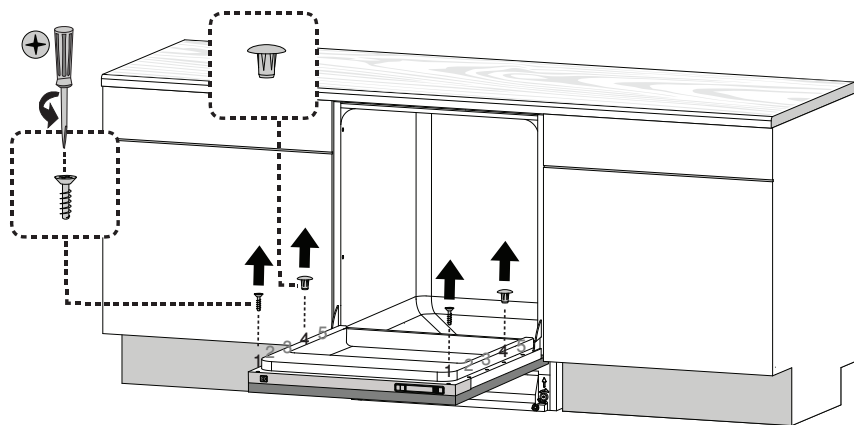
**kg**  
Max 6kg



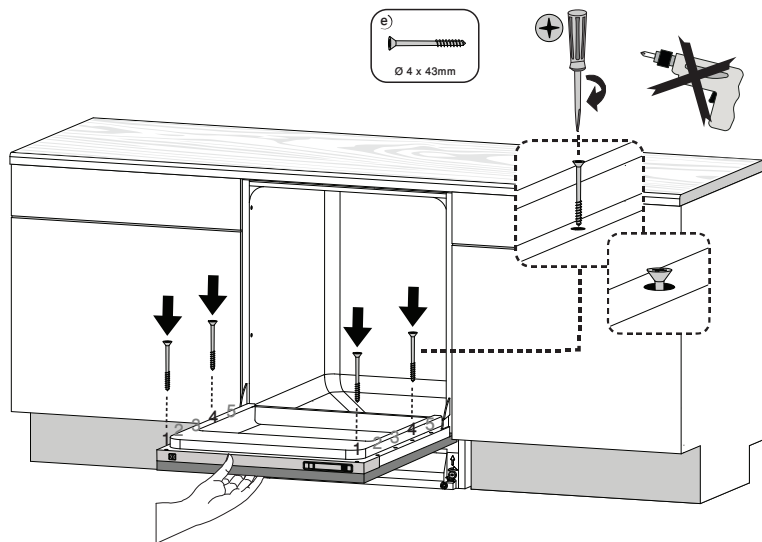




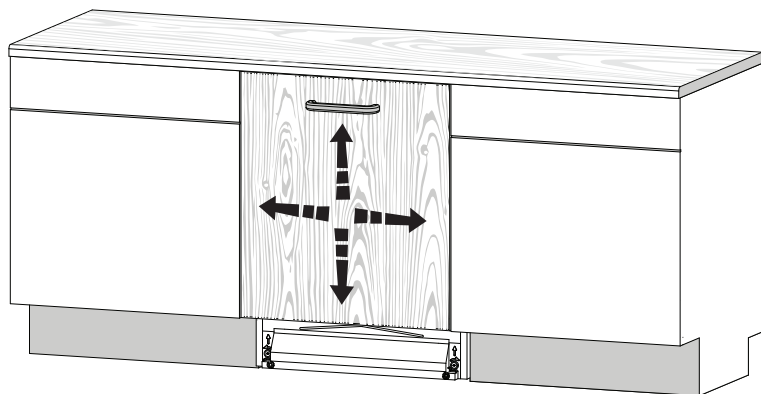
15



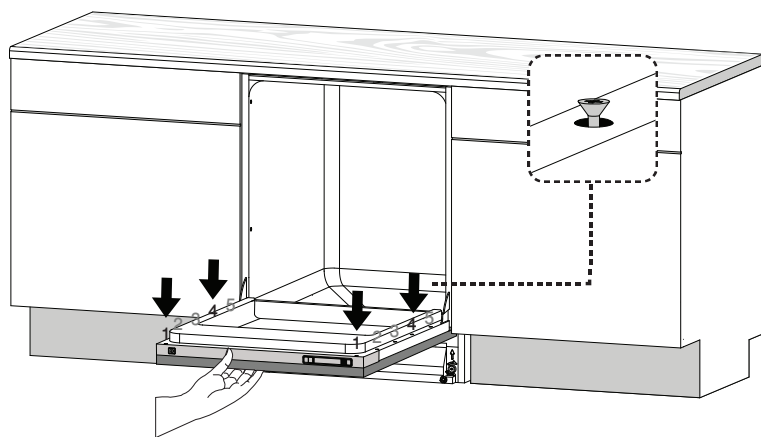
16

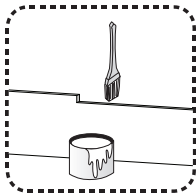
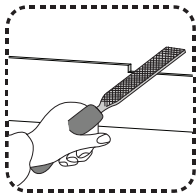
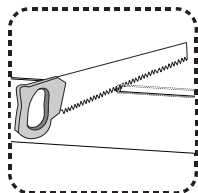
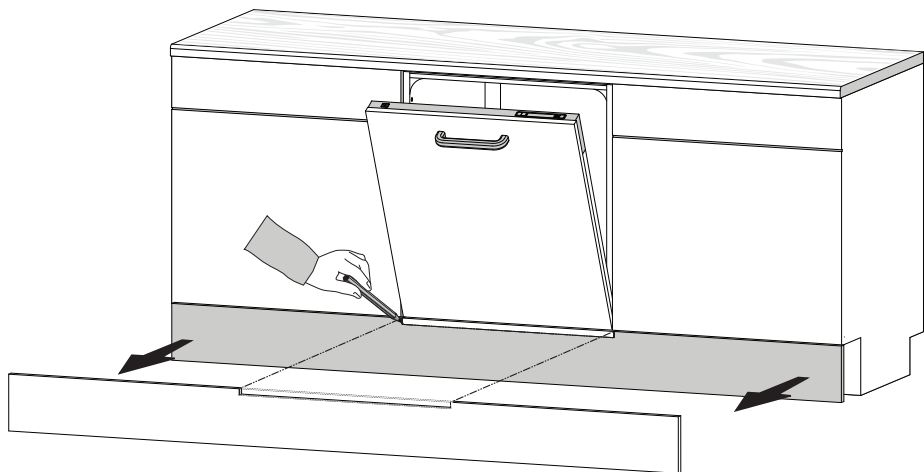


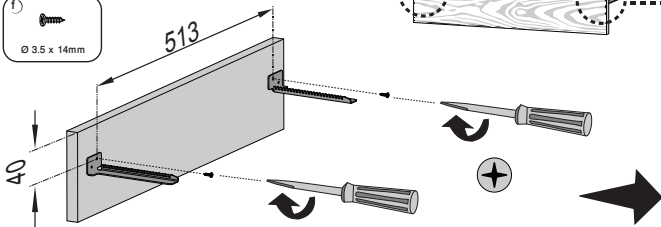
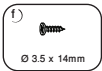
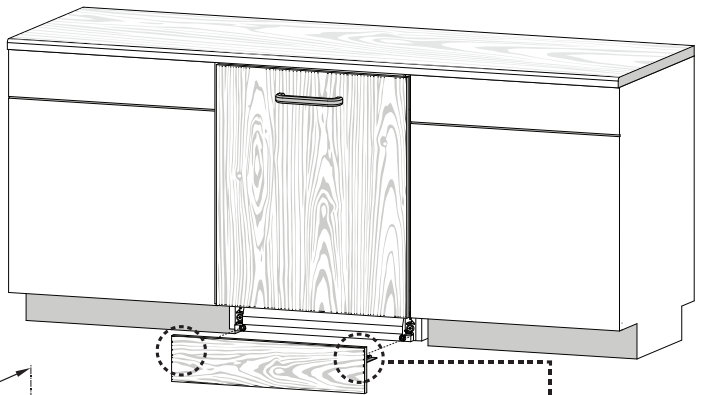
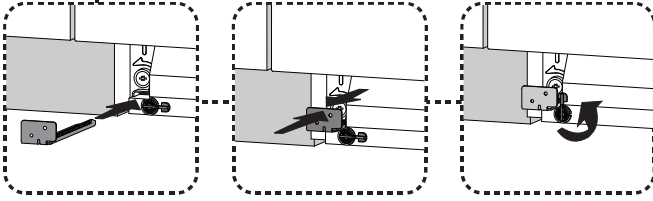
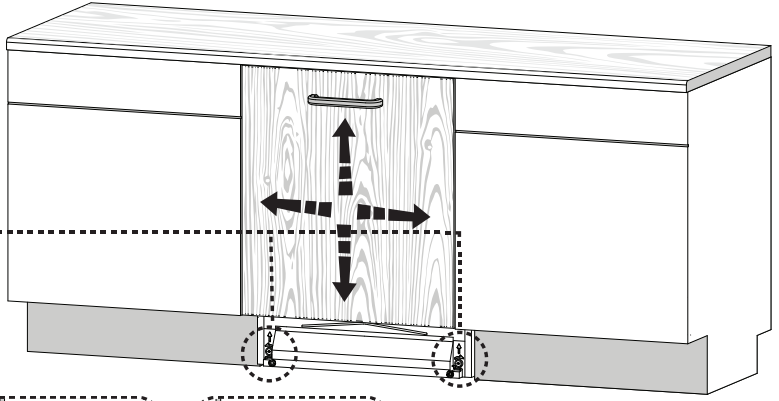
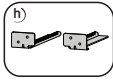
17

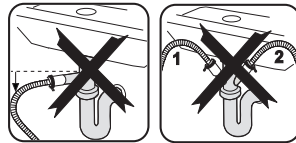
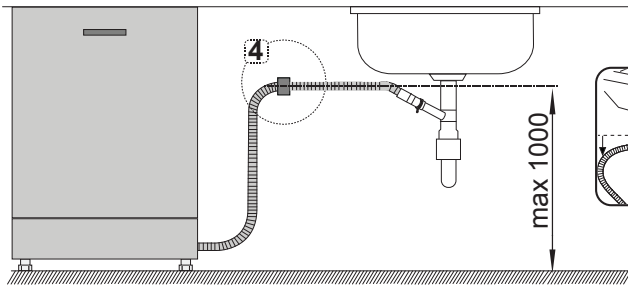
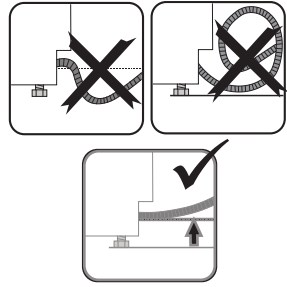
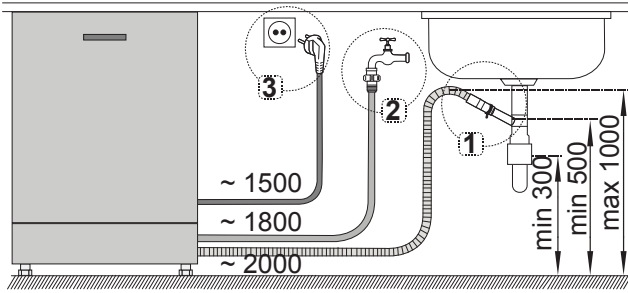


18









**1**

**2**

**3**

**4**



