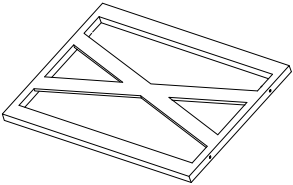
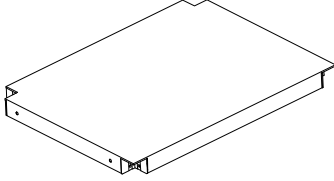
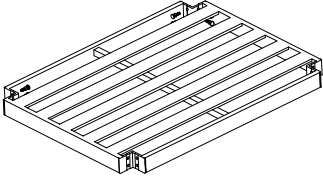
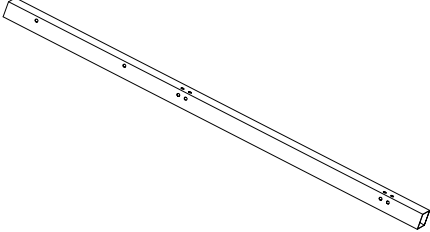
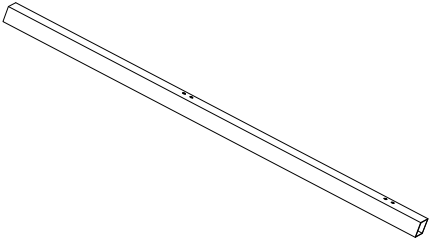
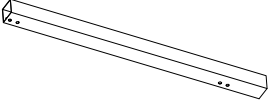
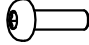
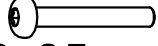



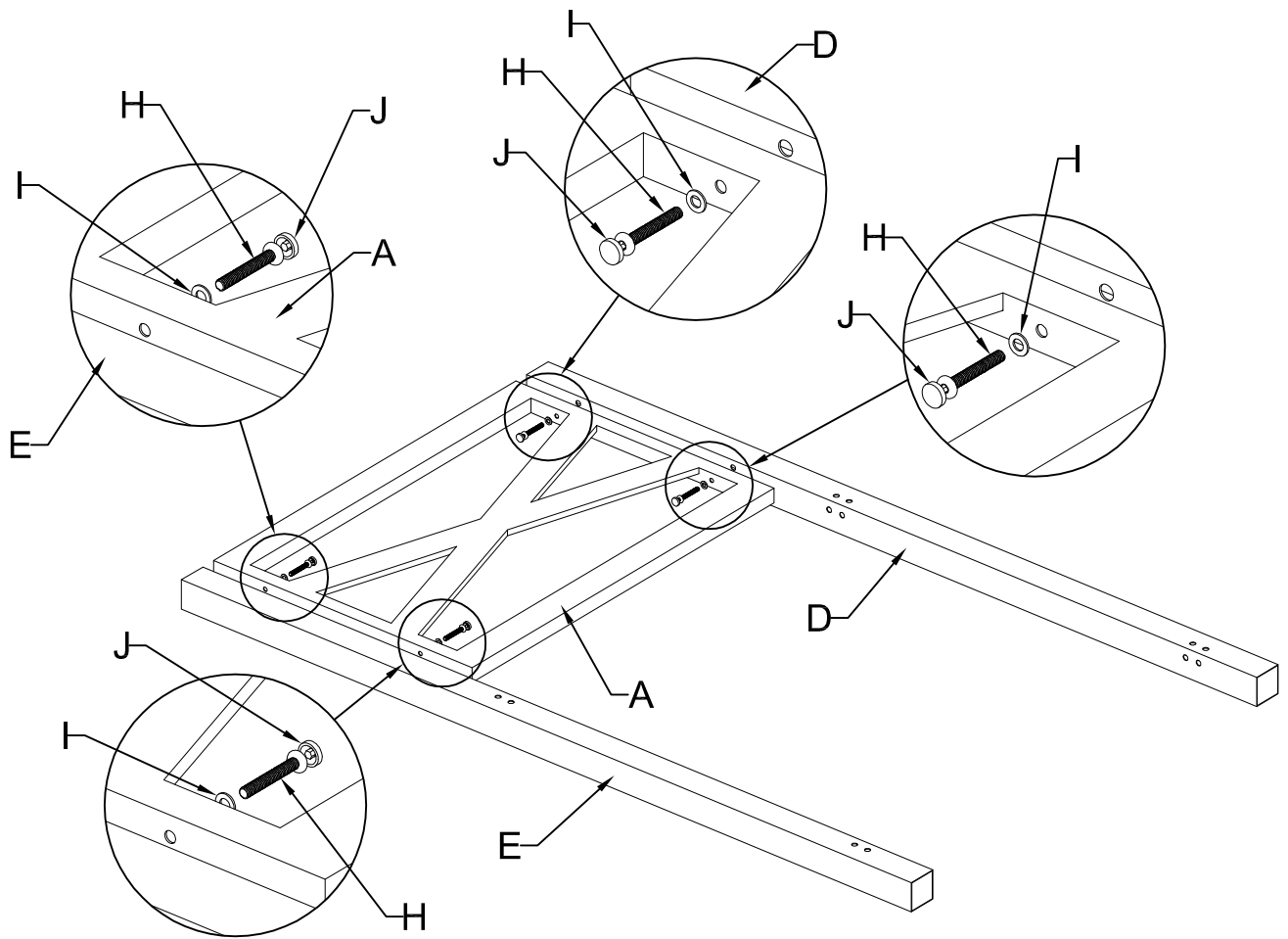


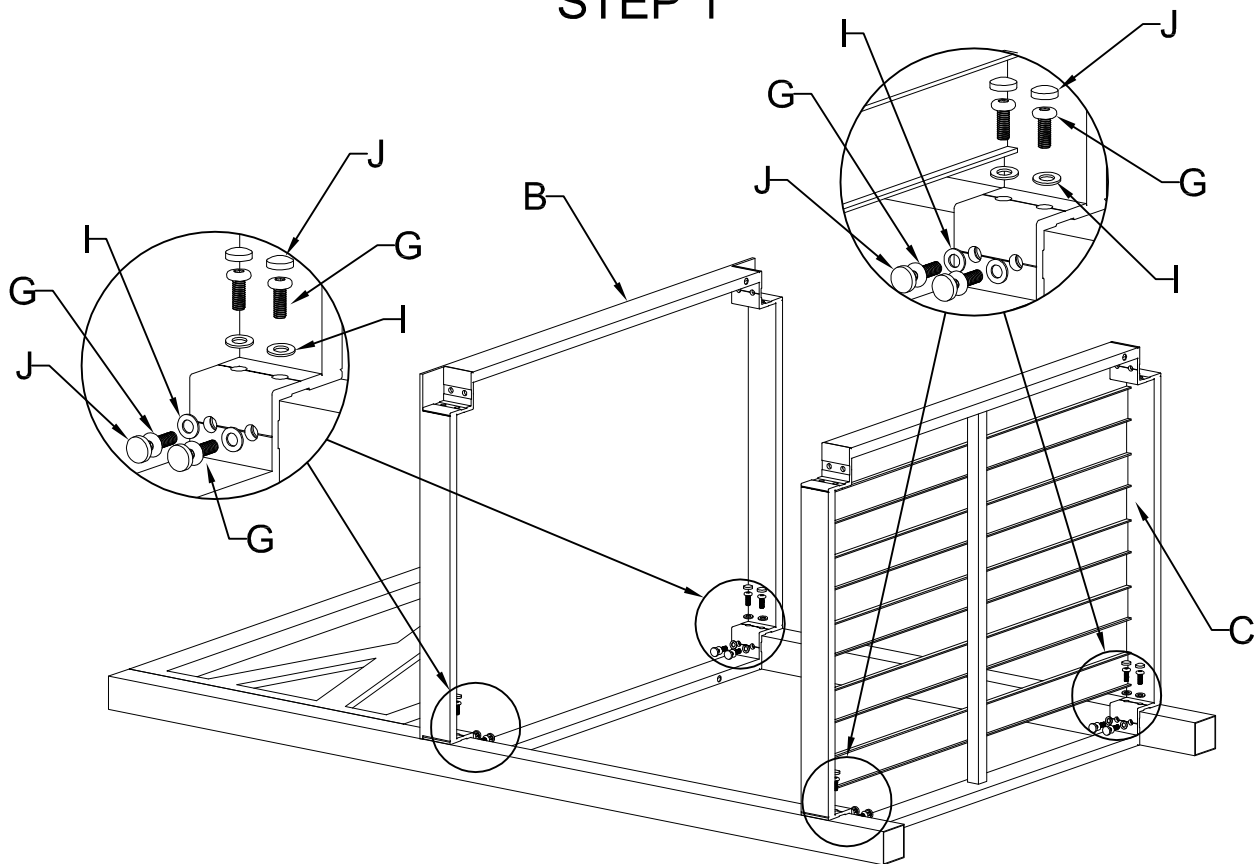
ASSEMBLY INSTRUCTION

NO.	Part List	Qty
A		1
B		1
C		1
D		1
E		1
F		2

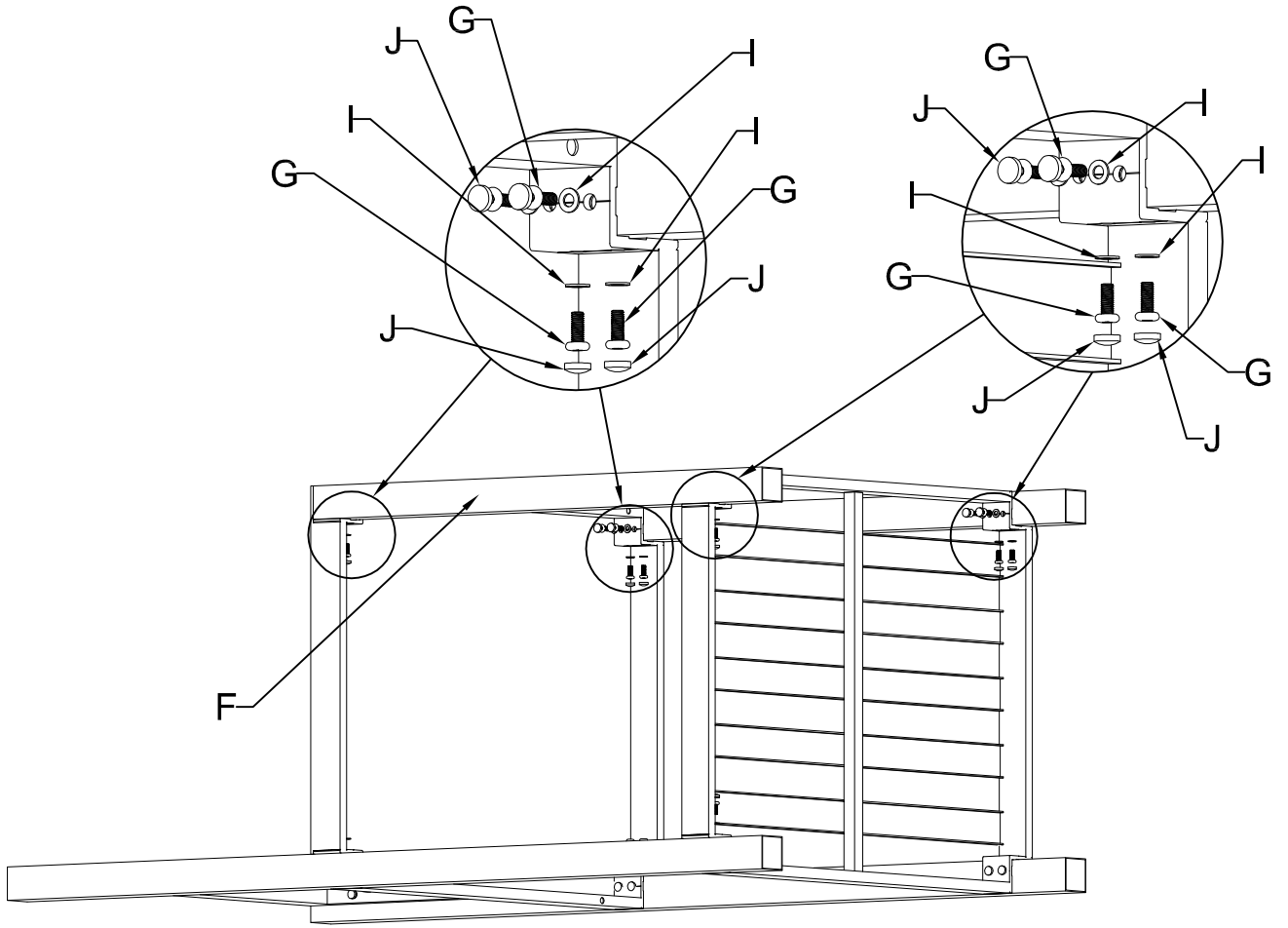
NO.	Part List	Qty
G	 M6x15mm	32
H	 M6x35mm	4
I		36
J		36
		1



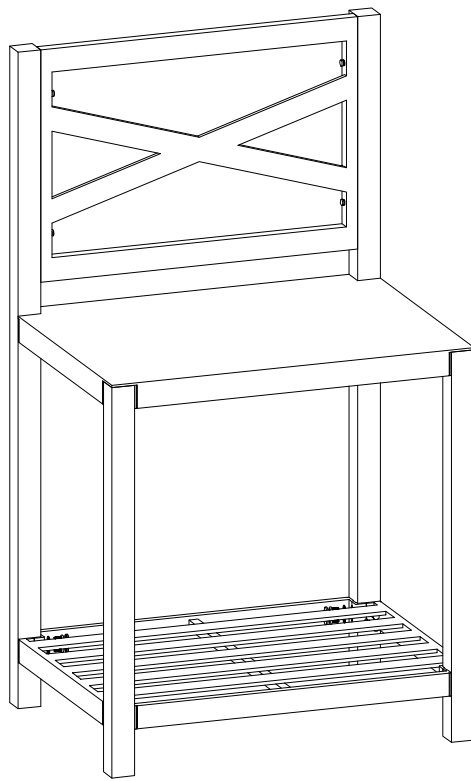
STEP 1



STEP 2



STEP 3



STEP 4