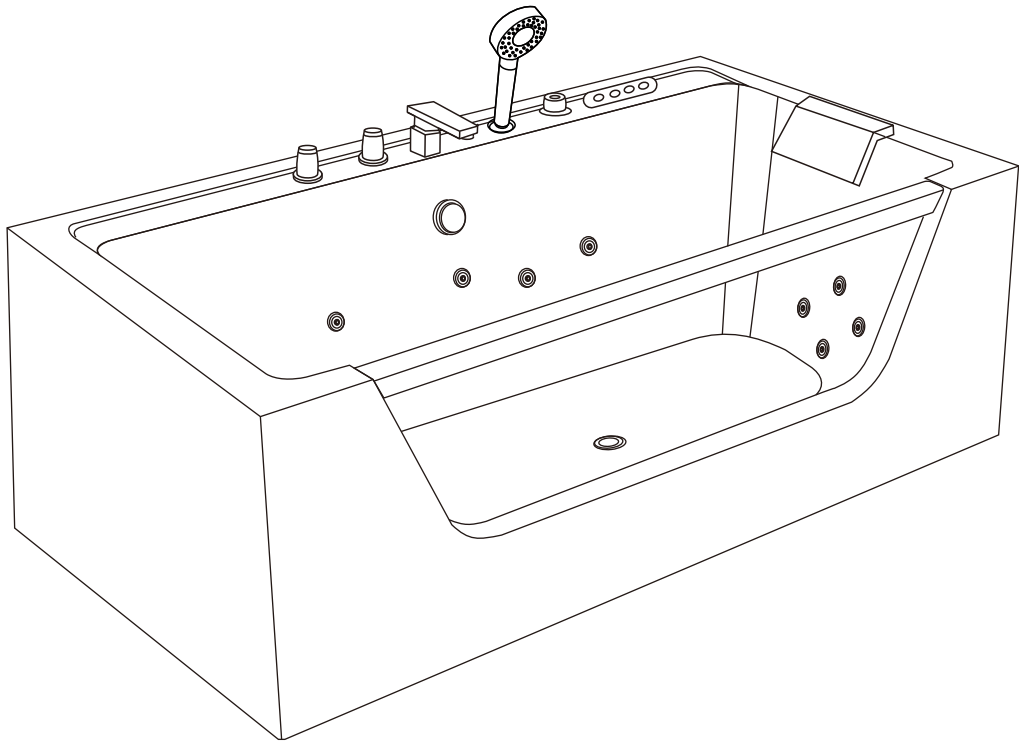


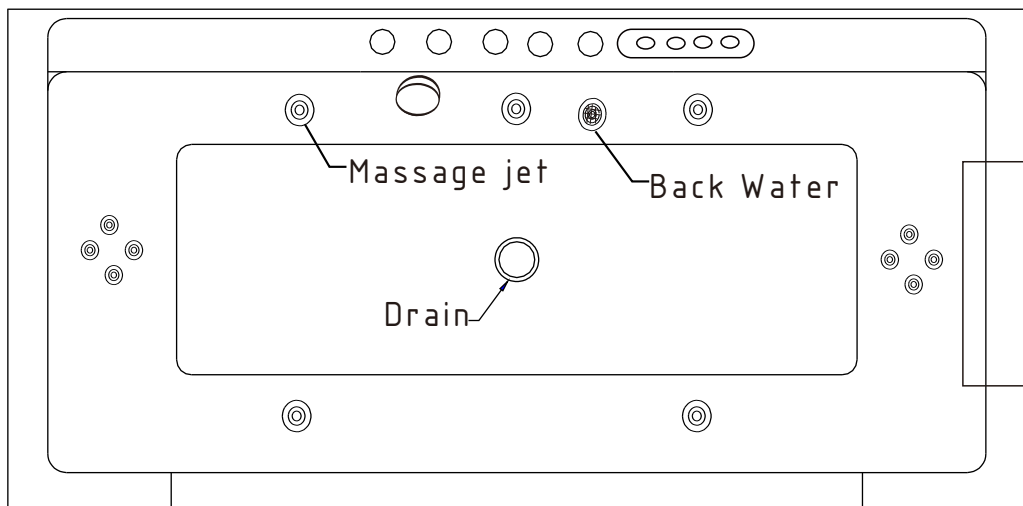
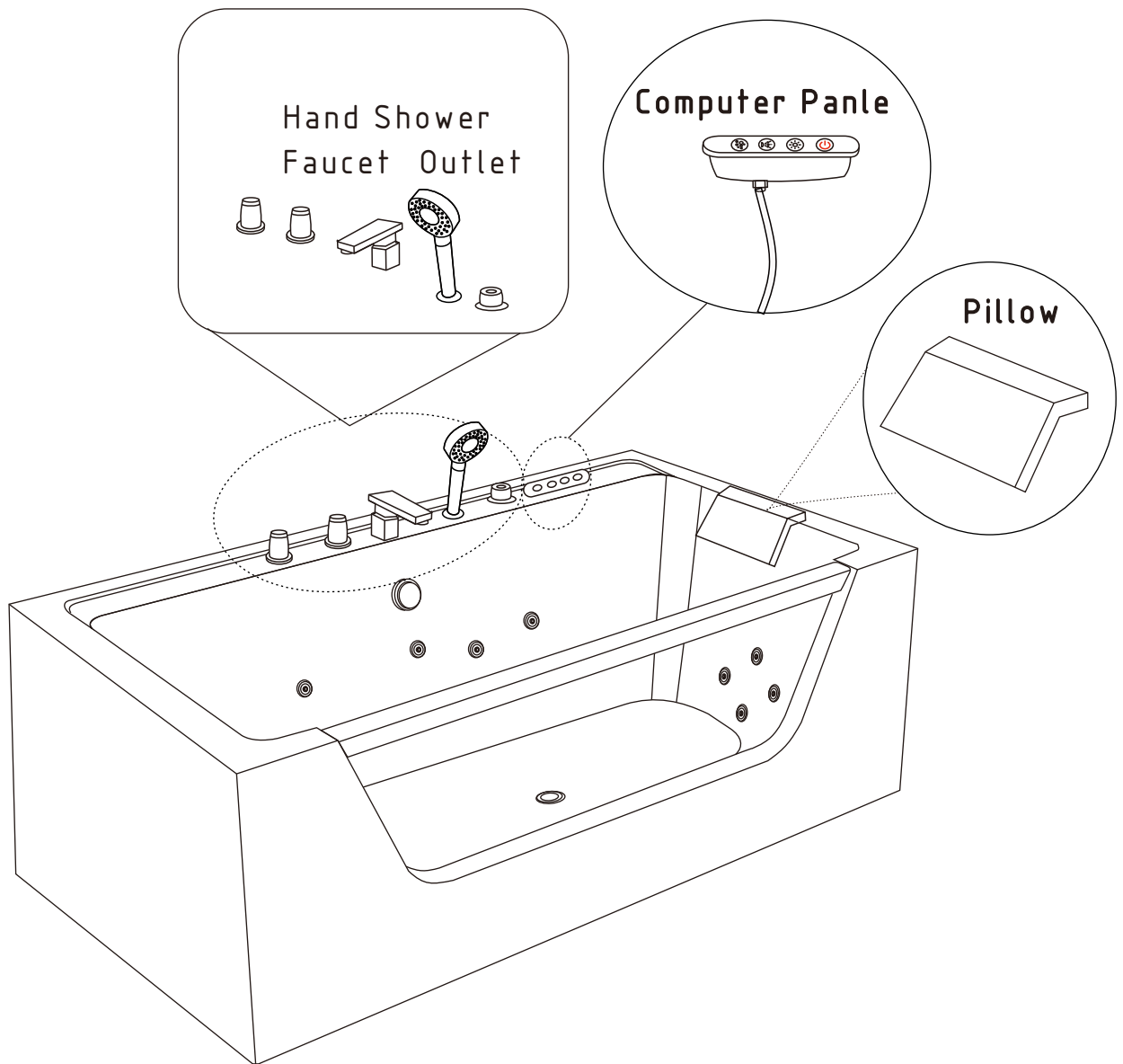
Lyfco®

Luxury
massage bathtub



BK-009V
1800x800x590 mm

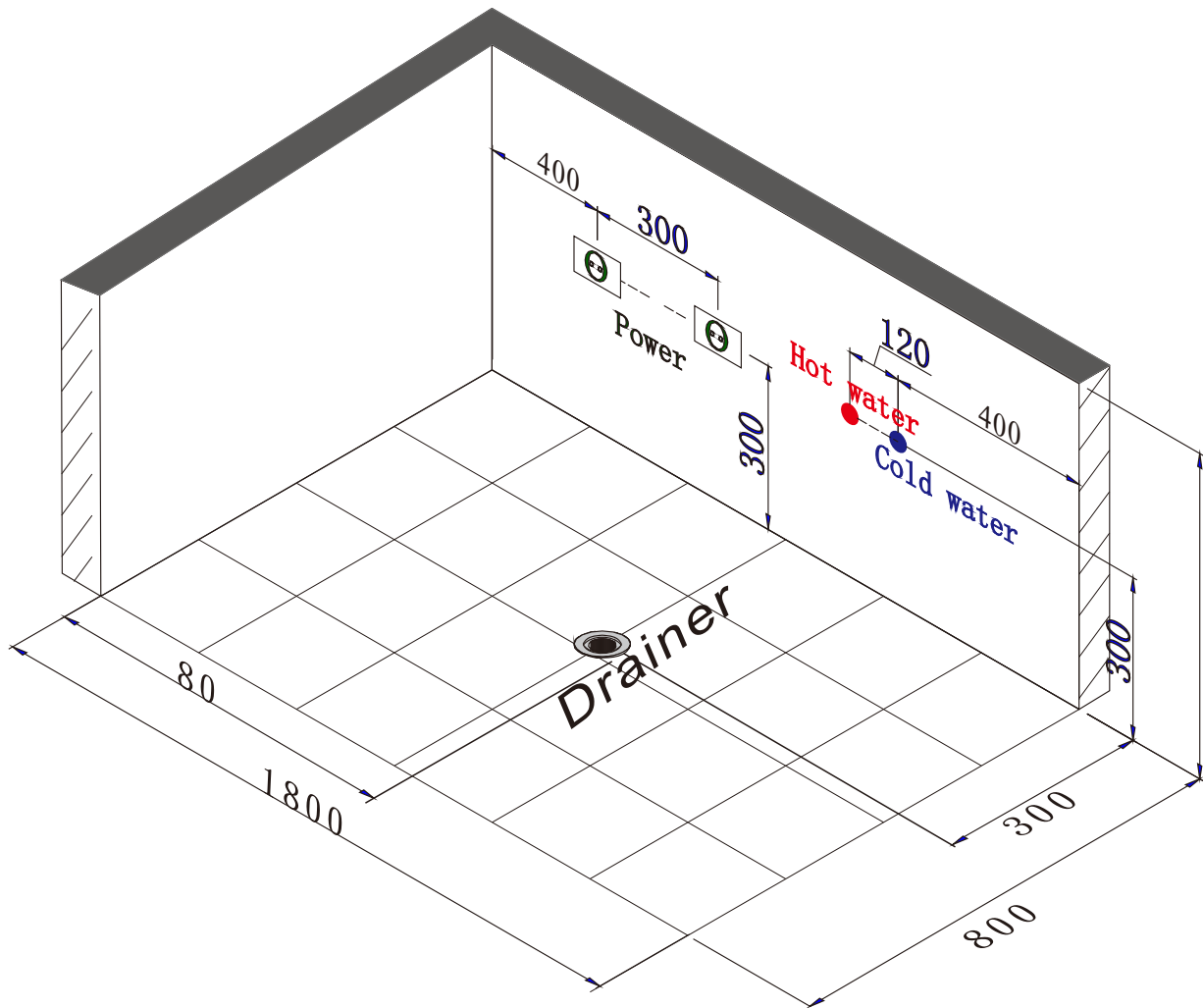
Functional Introduction *Lyfco*[®]



Water & Electricity Position Design



Length unit: mm

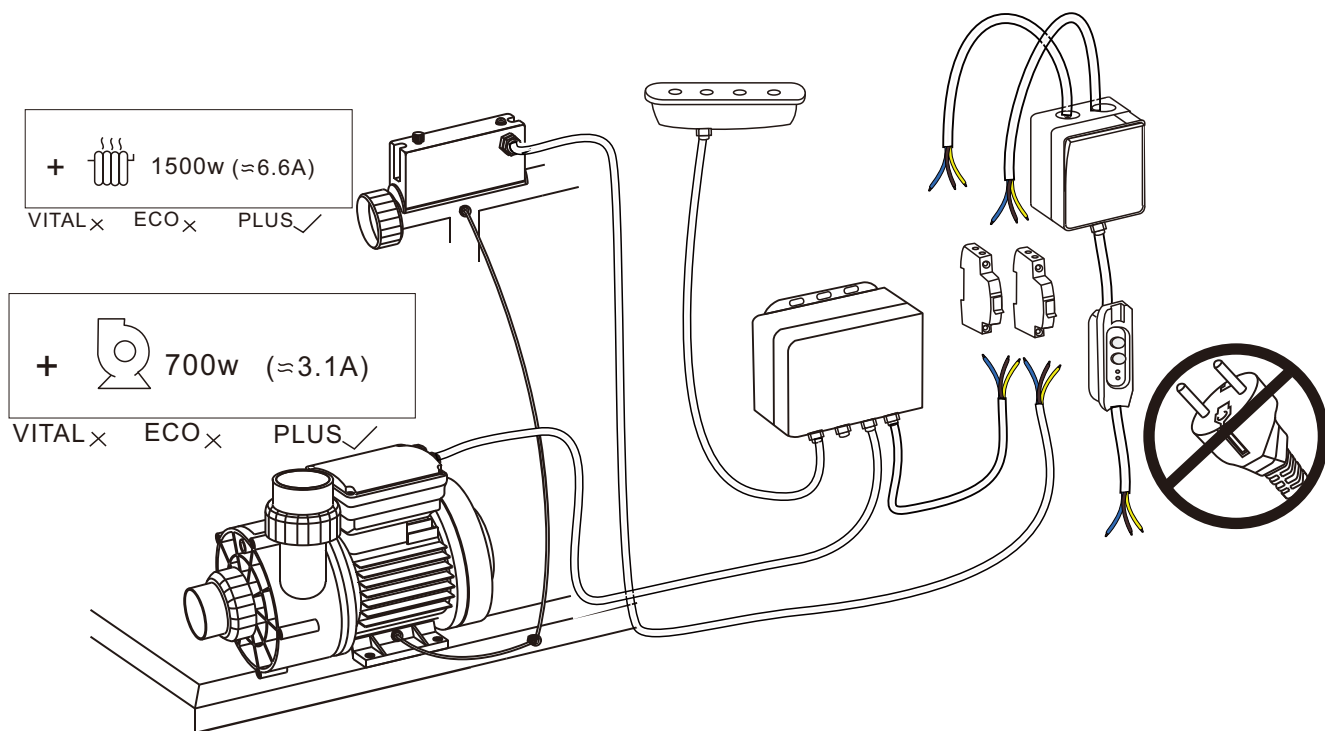


Power Request



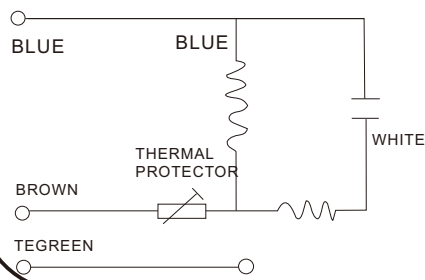
DXD HEATER

MODEL	SDP-1500 A		
VOLTAGE	220-240VAC	50/60Hz	
POWER	1.5KW	HP	2



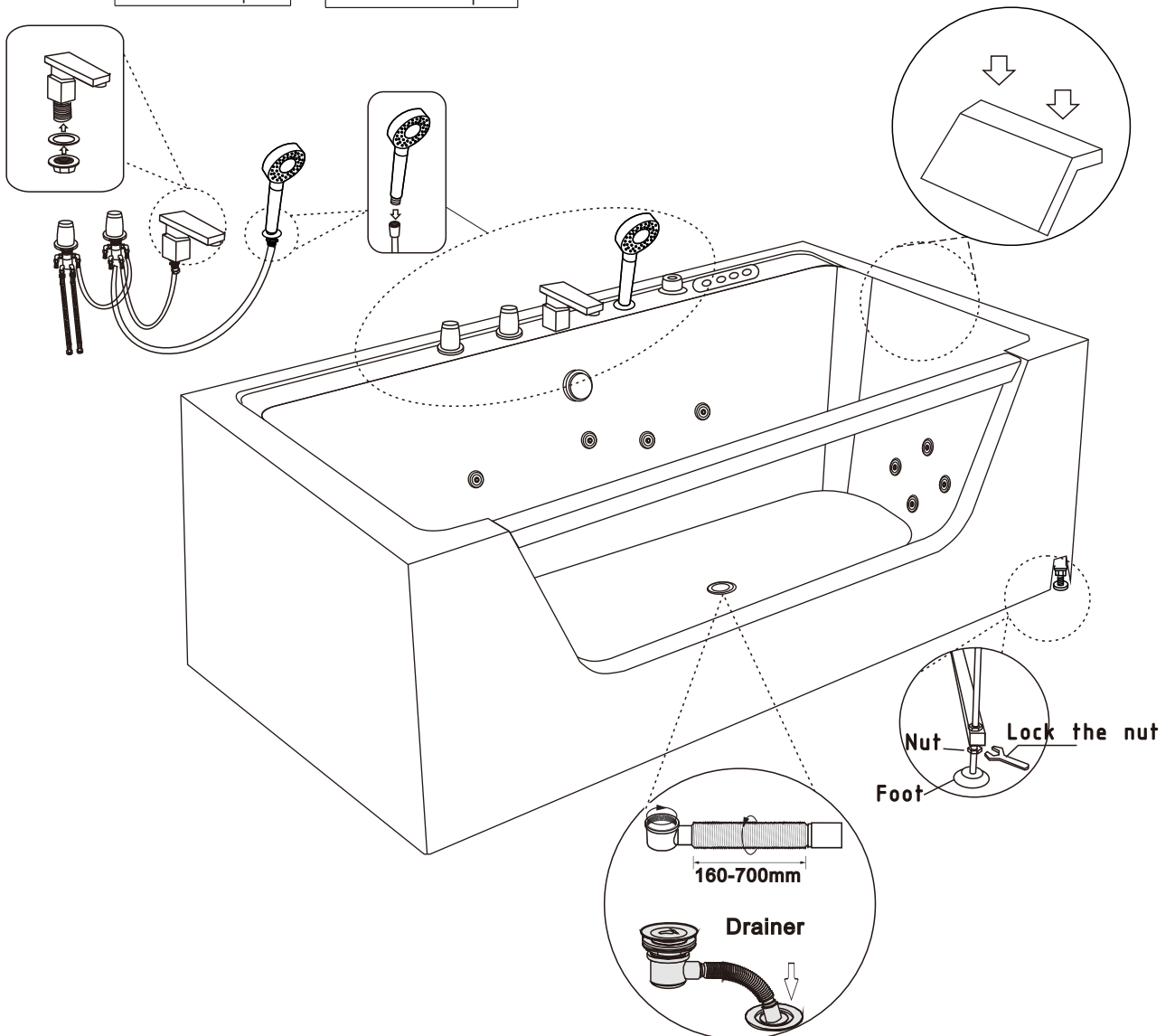
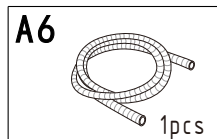
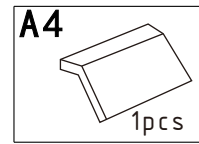
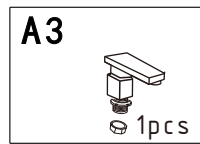
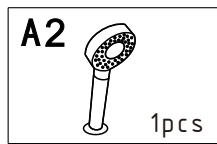
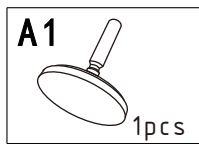
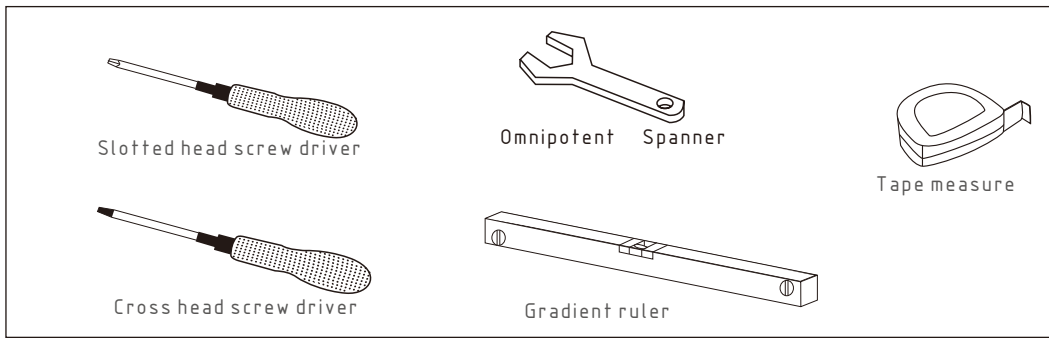
DXD PUMP

MODEL DXD-310 A AC 220-240V 50Hz 700W CLASS B IPX5
MAX WATER TEMPERATURE 50C 15u F/450V Hmin 1m

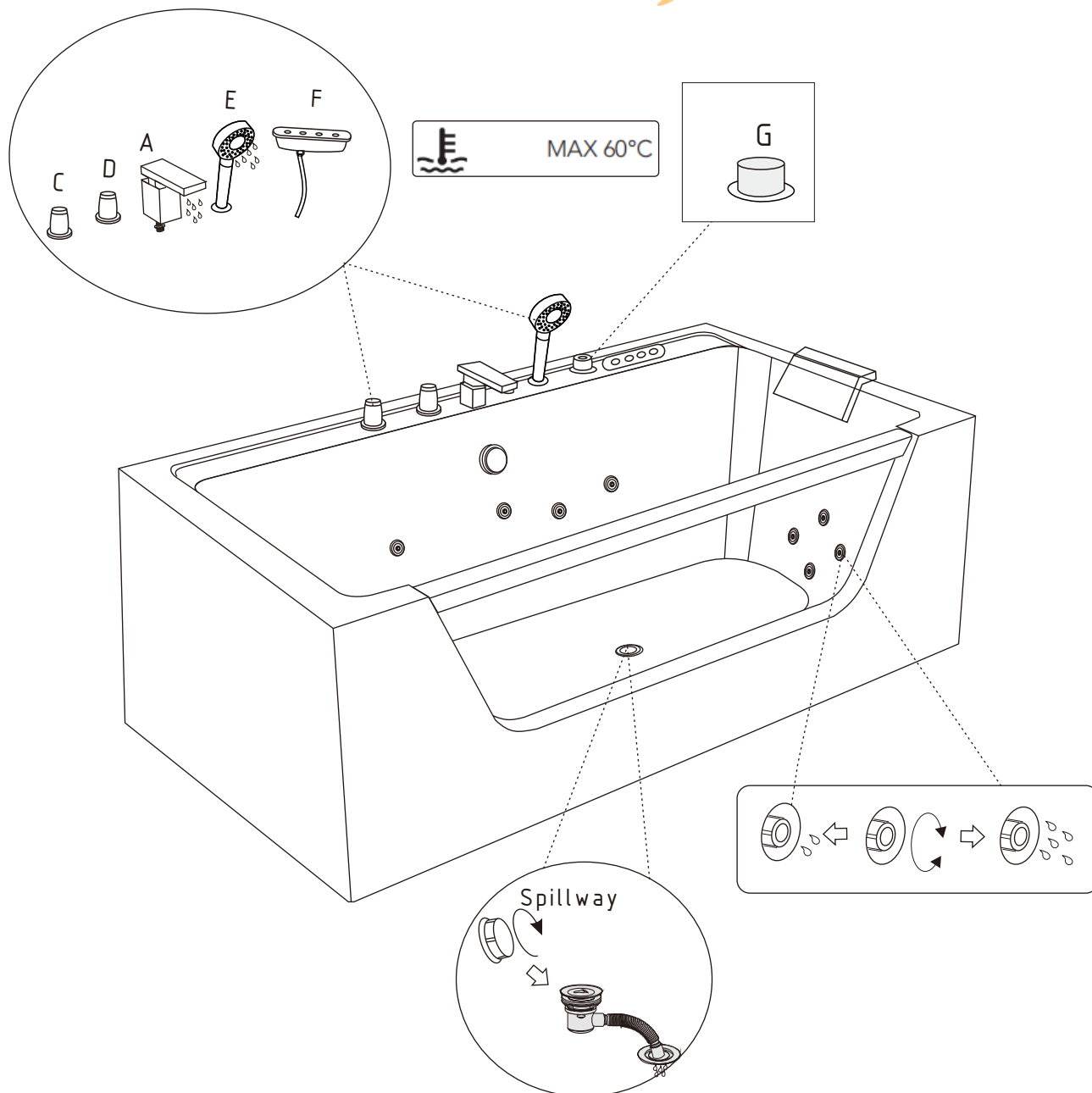


Mround properly!
Do Not Start Pump
Without Water!

Accessories Installation



Functional Instructions



Turn on , the computer panel starts to work

Turn on , the lights on.

Turn on , the water pump, heater starts to work.

This is , air bubble button, This button has no function

Turn round G, the water runs faster.

Turn round C, cool or hot water.

Turn round D, water comes from A or E.

Warning: do not open F without water!!