



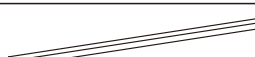
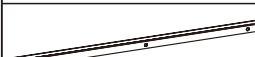
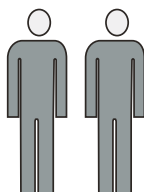
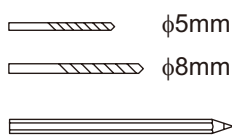



K1  M4x22 x 2	H-400  L=400mm x 1	PM-462  L=462mm x 1
K1  M4x22 x 2	H-400  L=400mm x 1	PM-562  L=562mm x 1




2 pers.

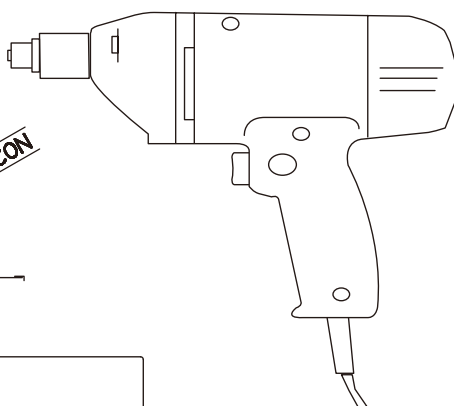


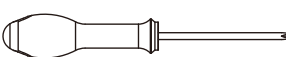
φ5mm
φ8mm



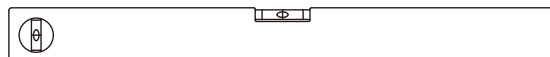




SILICON



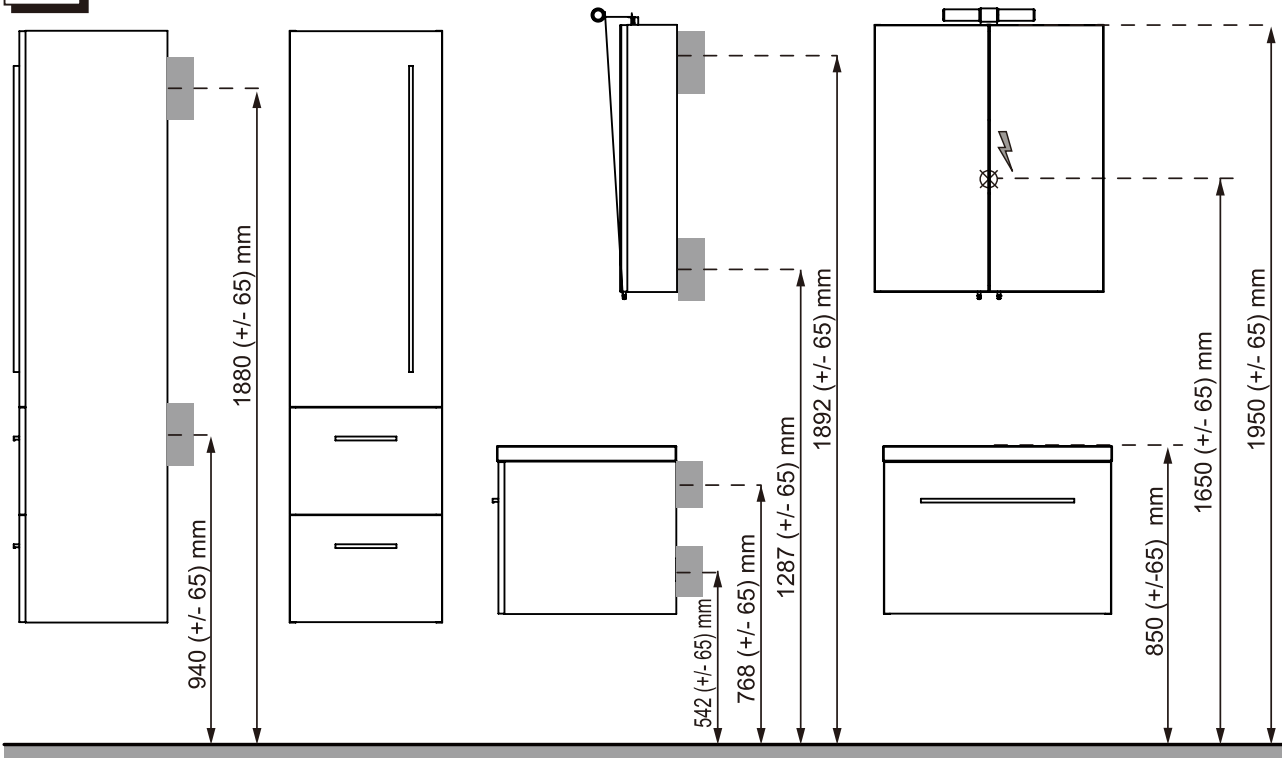


⊕ Pz 2
⊕ Ph 2

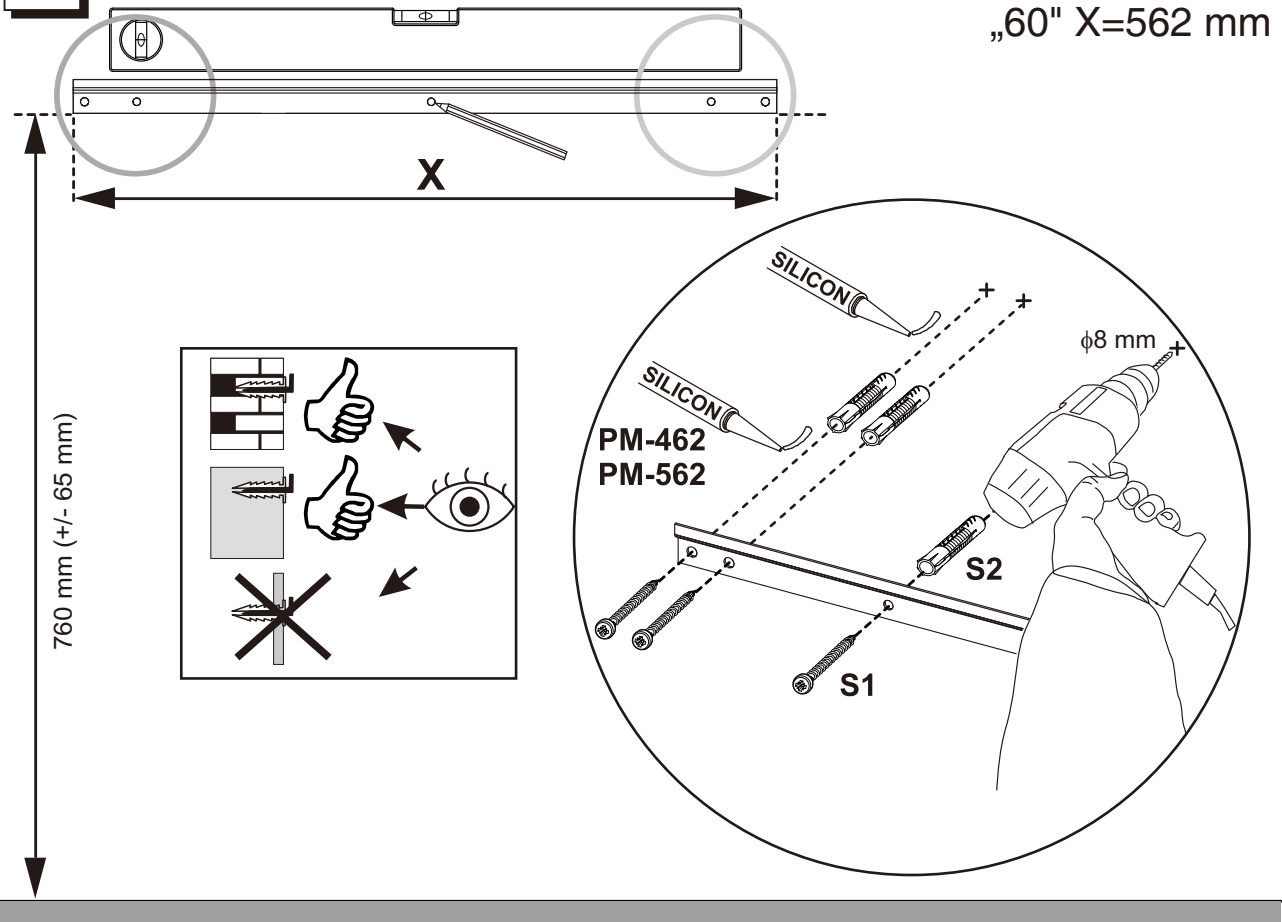


S1  ST6x60 x 5	S2  UX8 x 5
---	--

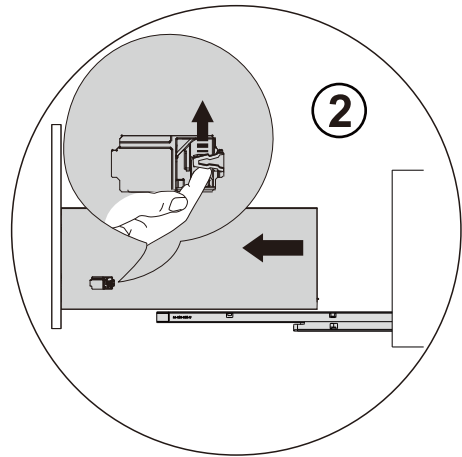
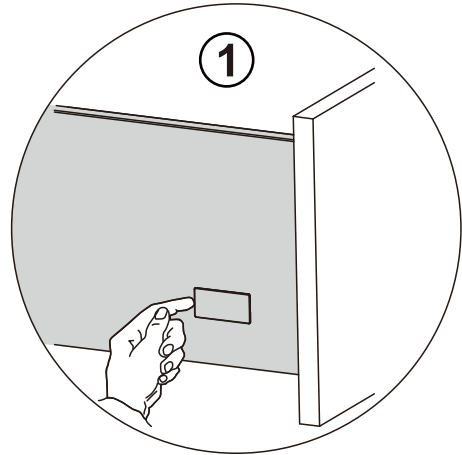
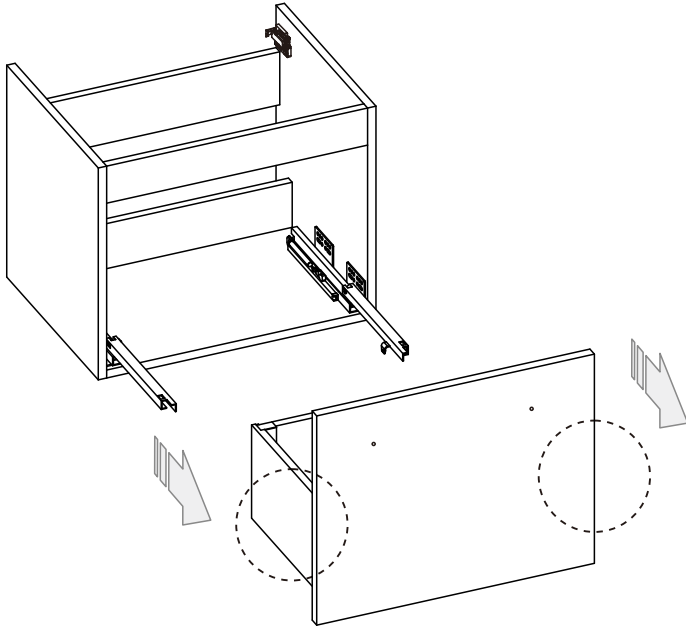
01.



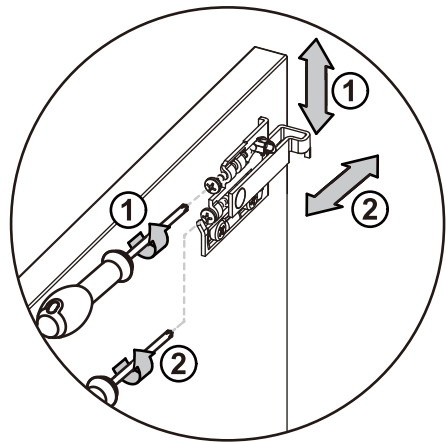
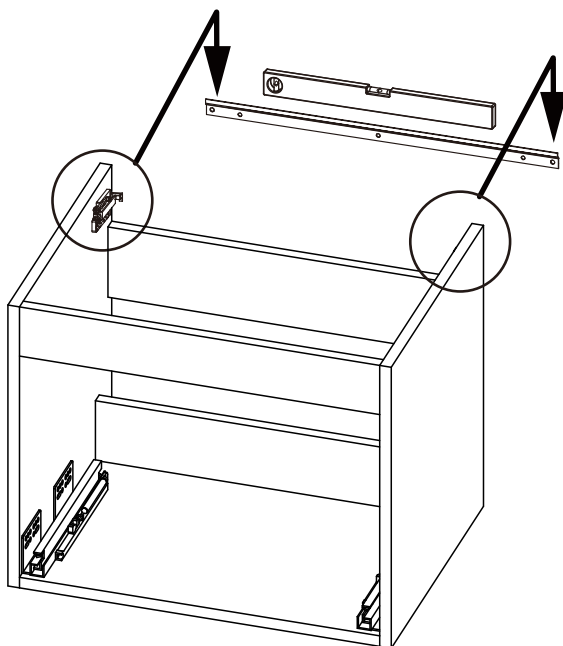
02.



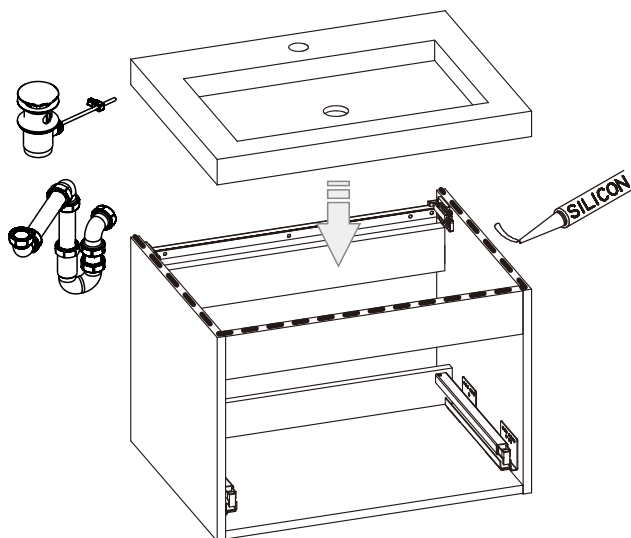
03.



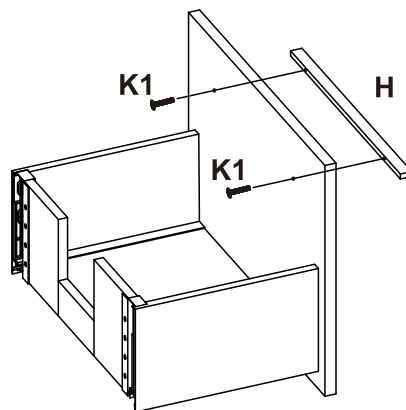
04.



05.



06.



07.

