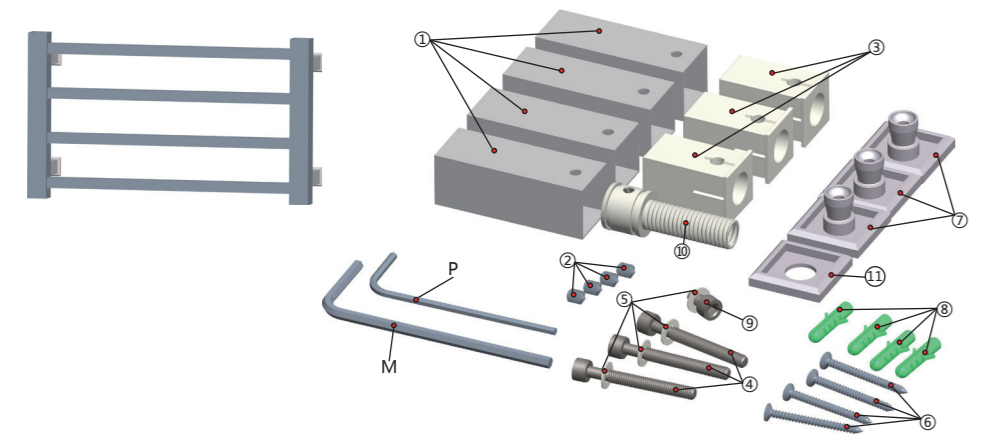


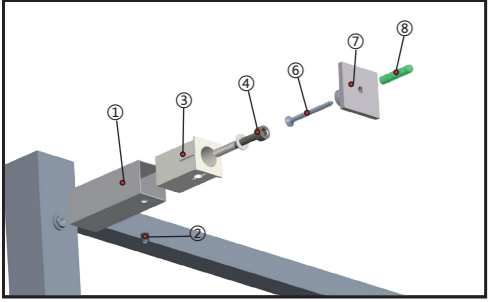
# PARTS LIST!(HARD-WIRED OPTION)

REF	QTY	DESCRIPTION	REF	QTY	DESCRIPTION
①	3	Leg Mounts(leg for mounting the unit)	⑧	4	Drywall Anchors (used when installing in drywall )
②	4	Leg Set Screws(anchors the leg insert in the leg)	⑨	1	Short Leg Bolt&Washer(secures leg to warmer)
③	3	Leg Inserts (secures the leg to the wall flange)	⑩	1	Wall Bushing (conduit for wall power)
④	3	Long Leg Bolt&Washer(secures leg to warmer)	⑪	1	Power Wall Flange(allows power to enter wall cavity)
⑤	4	Spare Washers(optionally added to bolts for fit)	M	1	Medium Hex Key (used for set screws 2)
⑥	4	Wall Screws(secures wall flange to wall)	P	1	Small Hex Key (used to install Accessory Hook)
⑦	4	Wall Flanges(fastens to the wall for mounting)			

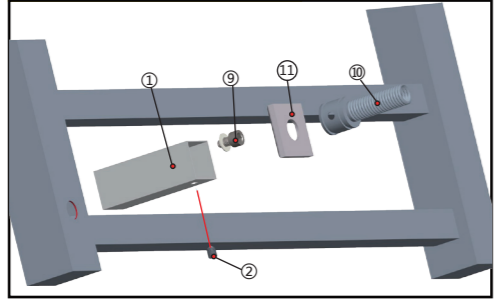
## PARTS / ASSEMBLY



Leg Mounts(leg for mounting the unit)



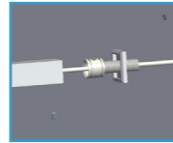
Wall Bushing (conduit for wall power)



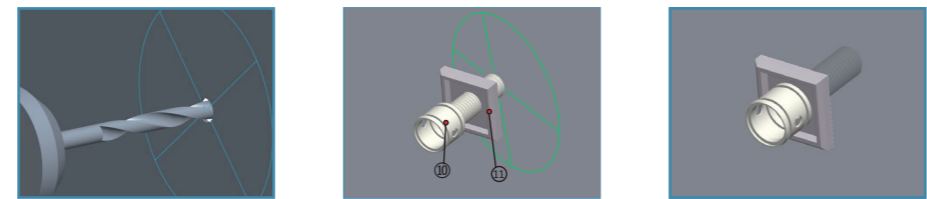
# MOUNT WARMER(HARD-WIRED OPTION)

## INSTALL POWER LEG FLANGE

This only applies to the **Power Leg Mount ①** for the Hard-Wired option (bottom-right leg). The **Wall Bushing ⑩** allows the **Power Cord** to be passed into the wall cavity for hard-wiring to your home's electrical wiring. **NOTE:** Before proceeding,make sue you have a plan for directing the power cord to an existing circuit. It may be necessary to use a fishing tool after drilling the 1/2" hole to pull the cord to a location for connecting to power(see page 10 for ideas).



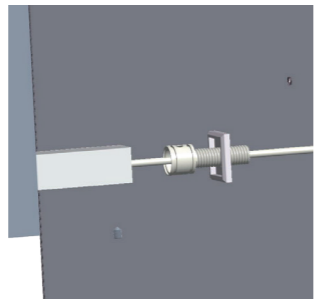
After ensuring there are no obstructions behind the wall,drill a 1/2-in hole throught the drywall at the wall marking made earlier. Inset the **Wall Bushing ⑩** throught the **Power Wall Flange ⑪** and screw the bushing into the hole you drilled into the drywall.Screw the bushing until it's snug and the small holes in bushing are aligned vertically.



# MOUNT WARMER(HARD-WIRED OPTION)

## INSERT POWER CORD

While holding the warmer near the wall, inset the power cord through the **Wall Bushing ⑩** and pull the cord tight from within the wall cavity.(see the next pages for ideas on connecting the power cord to power inside the wall)

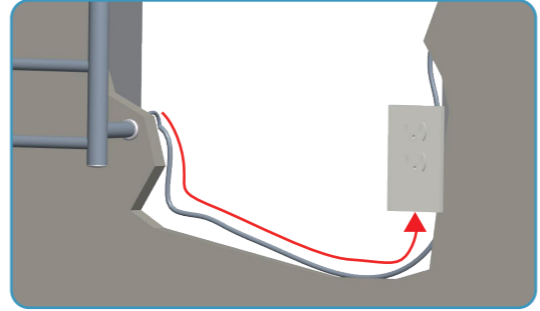


# IN-WALL ACCESS(HARD-WIRED OPTION)

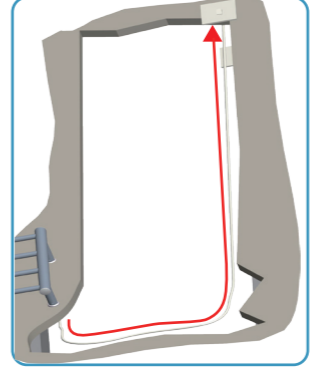
## SAME WALL CONNECTION

If there is an outlet or switch on the same wall as the warmer,it can be used to connect the warmer's power.Once the outlet or switch has been temporarily removed from its junction box,a fishing tool can be used to draw the unit's power cord to the outlet or swith.If neither an outlet or switch is available, a hole can be cut into the drywall to "splice" into a circuit. Once the connection is made,the hole can be patched to provide a clean installation.Always use a junction box for all connections,Do not connect to a circution that turns on and off when a switch is toggled.

Connect to a wall Outlet



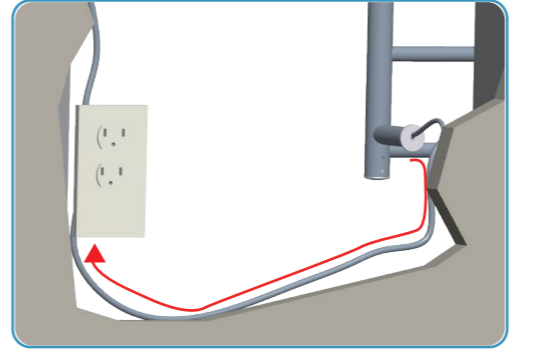
Connect to a wall switch



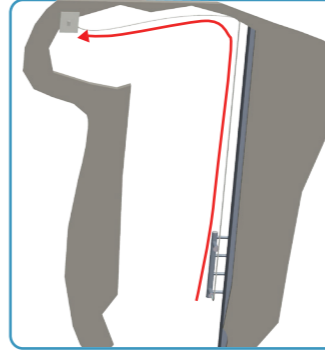
## OPPOSITE WALL CONNECTION

Also consider using the opposite side of the wall for connecting the warmer to an existing outlet or light switch on either side. If there's any difficulty in fishing the power cord,a temporary hole can be out directly opposite of the Wall Bushing ⑩ to better direct the power cord to its desired destination, especially if dirilling into a stud is necessary.

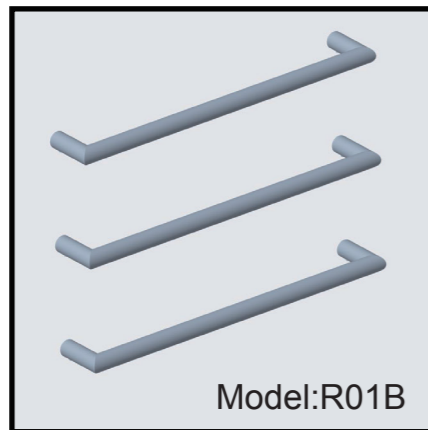
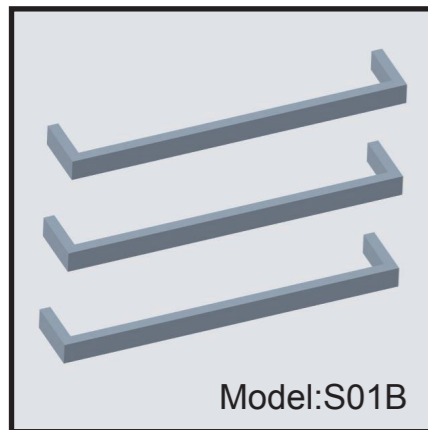
Connect to a wall Outlet



Connect to a wall switch



# Heated Towel Rails



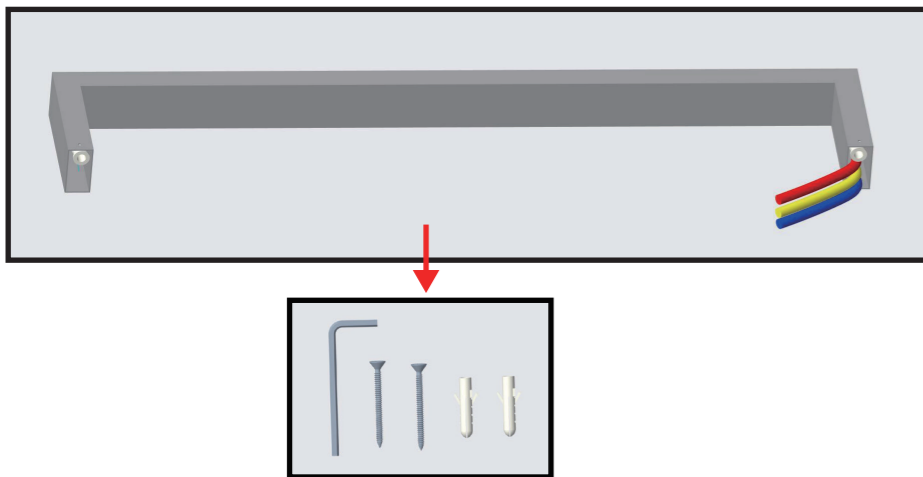
## INSTALLATION

### Mounting towel rail:

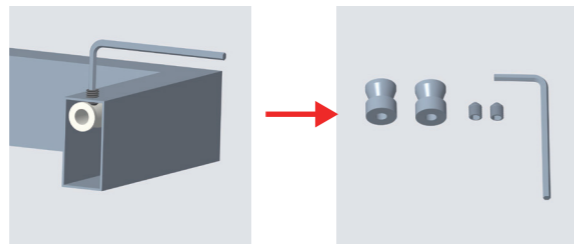
Please note: We advise that the towel rail should be installed by a professional.  
Please read the safety information on the previous page carefully before mounting.

### For example:

1. First, open the package, check the towel rail and the mounting accessories.



2. Take off the fixing base from the towel rail by the Hex key.



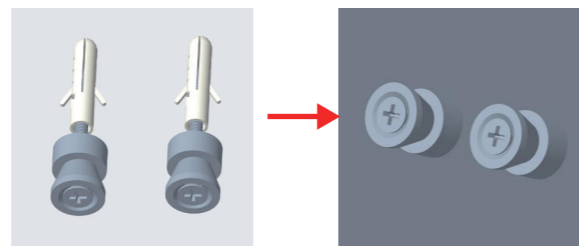
3. Confirm your concealed power wires before you install the fixing base to the wall.

4. Mark the centre distance for your model. And it is important that the line between these two points is level.



Drill a hole approximately 30mm deep where the towel rail bracket to be positioned.

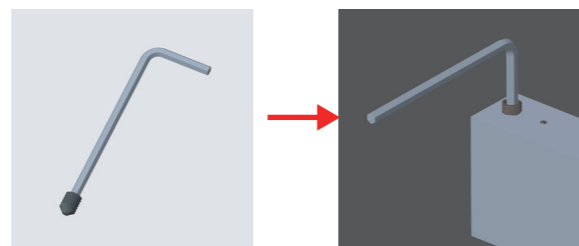
5. Install these two fixing bases to the wall.



6. Together the rail's cable to the power wires to avoid short circuit.

7. Remount the towel rail on the two fixing base.

Secure the bracket with the screw provided.



## VIKTIGT VID MONTERING AV SVÄNGBAR HANDDUKSTORK!

**Obs!** För att de interna komponenterna ska fungera normalt är det viktigt att handdukstorken monterats enligt ritningen.

Steg 1: Ta upp produkten ur förpackningen och lägg den på en plan yta. Klipp av remmarna vid brytarna och nätkontakten. Låt den mittersta remmen sitta kvar när du monterar handdukstorken.

Steg 2: Vrid inte handdukstorkens armar 360 grader efter att remmarna har klippts av. Handdukstorken får endast monteras stående på en plan yta med valfri del uppåt eller nedåt och så att armarna kan vridas 90 grader.

Steg 3: Klipp av den sista remmen när monteringen är klar. Tack för din insats, nu kan du njuta av din handdukstork.

Konsumentkontakt  
Arc E-commerce AB  
Box 3124  
13603 Haninge  
Sverige