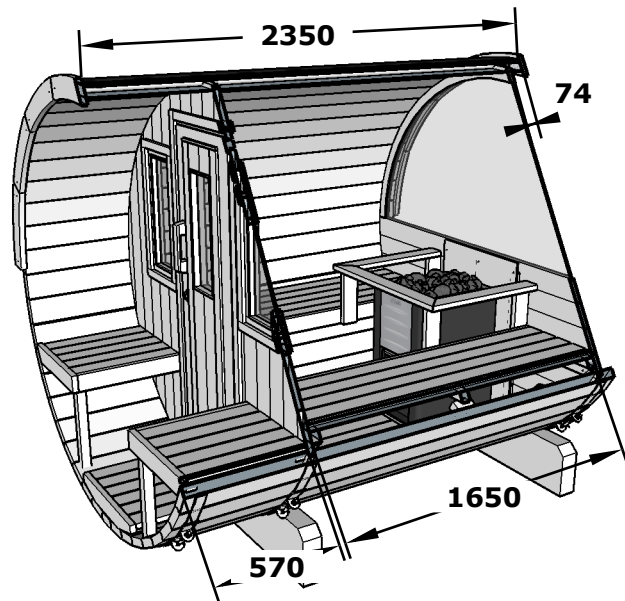
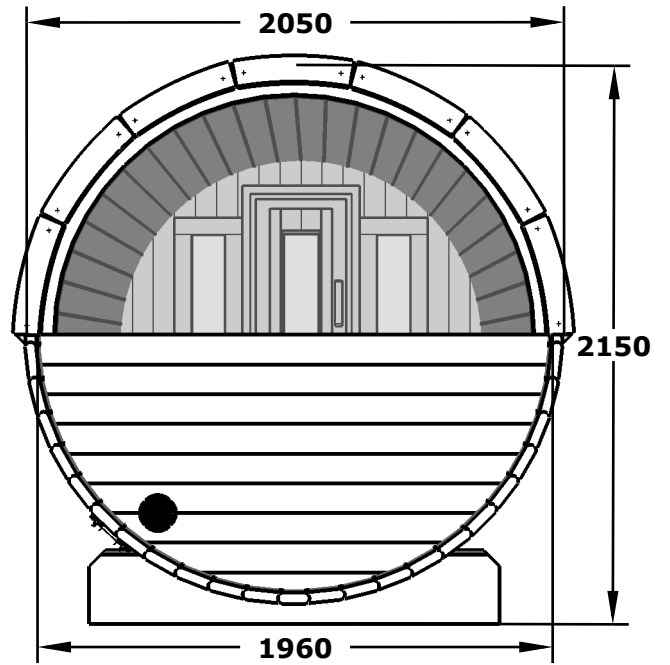
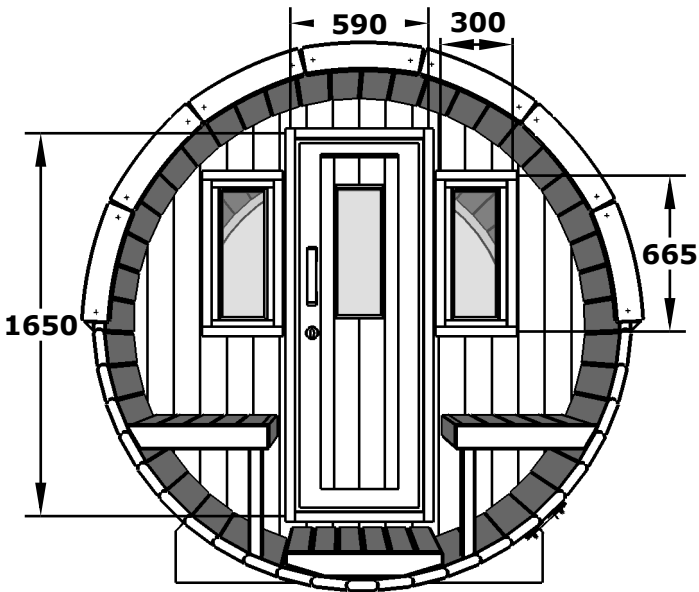
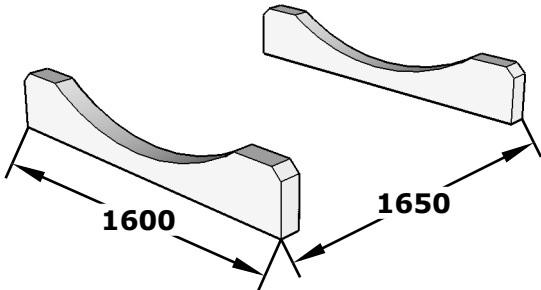


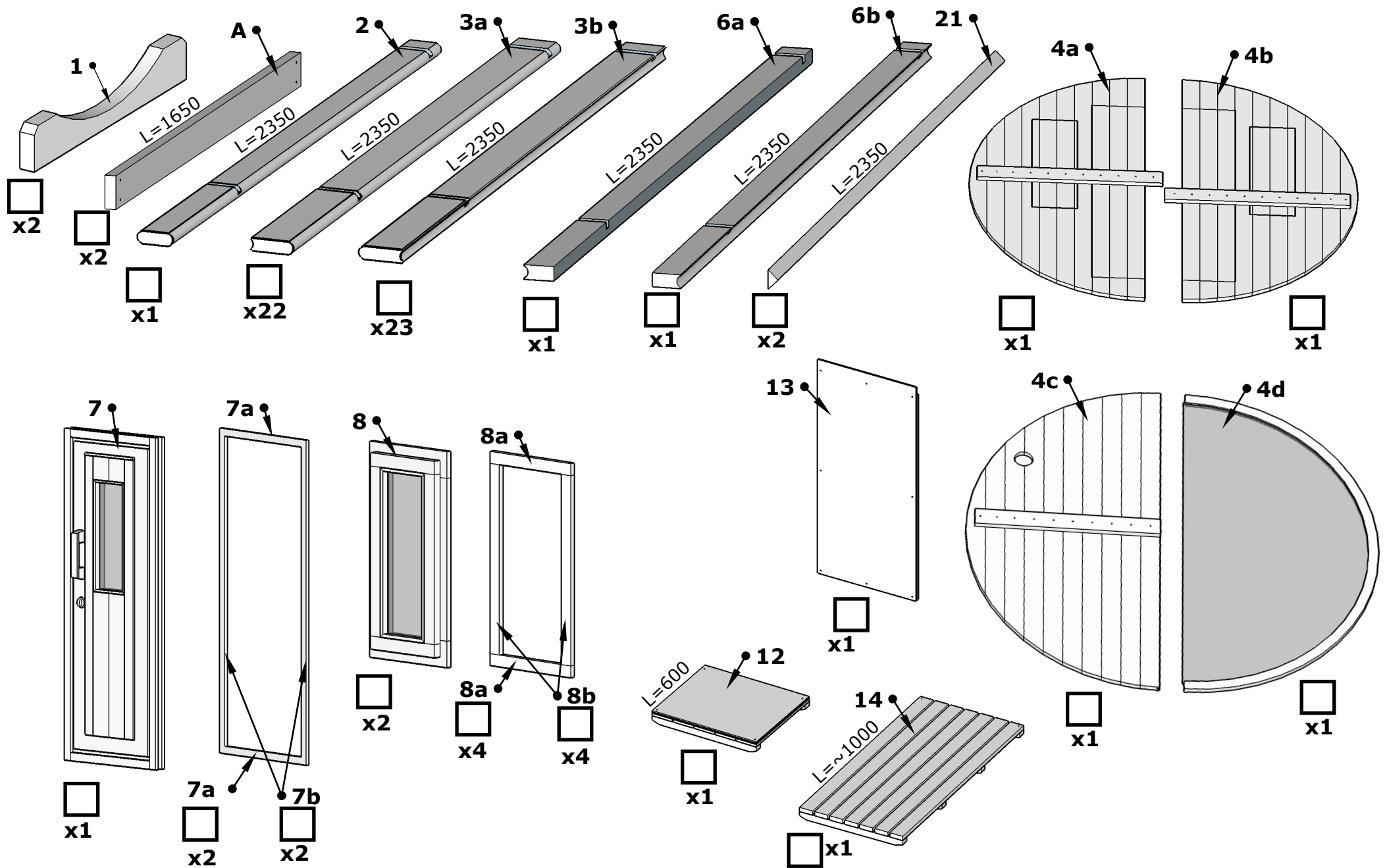
Sauna 235, D 200



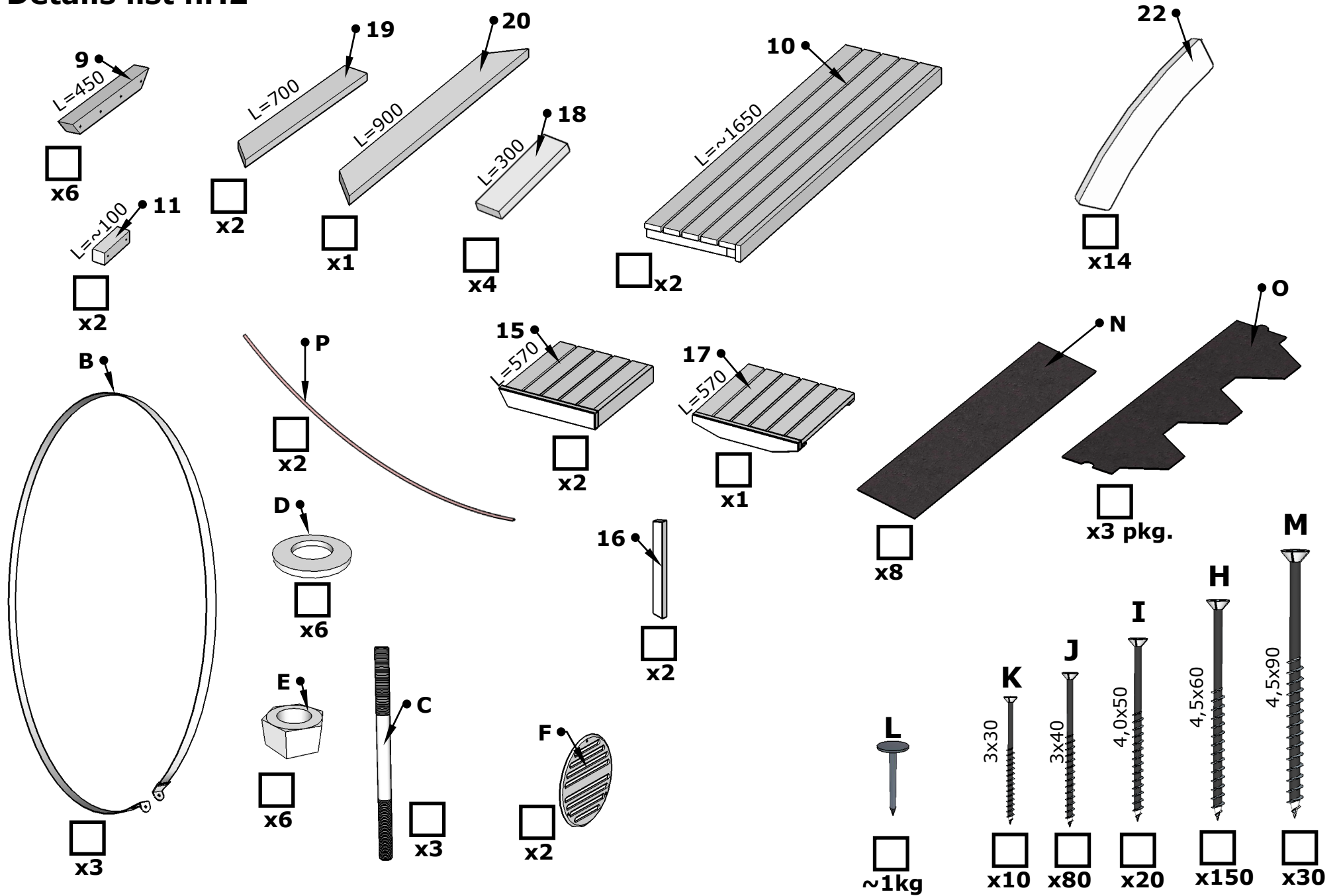
Sauna 235, D 200

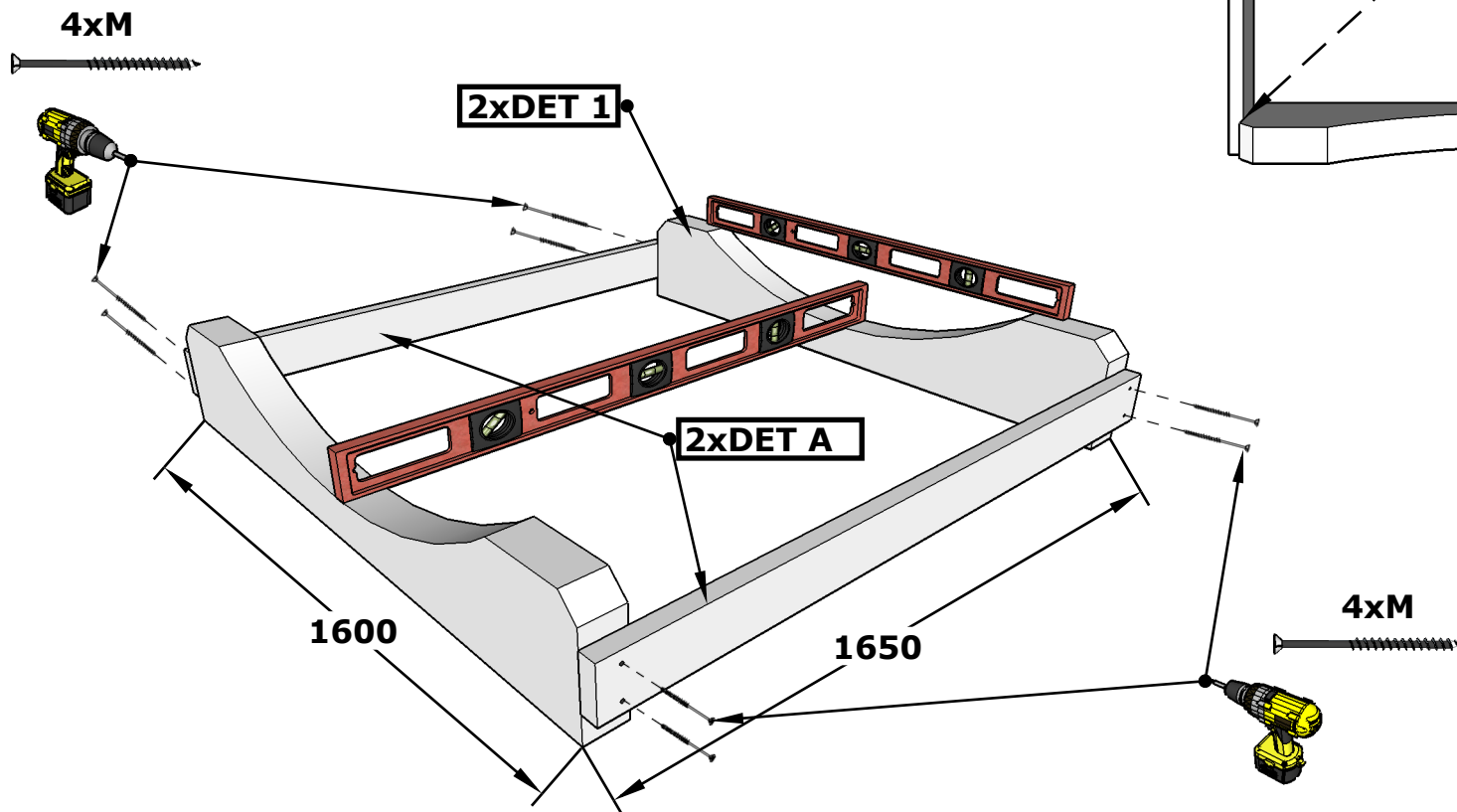
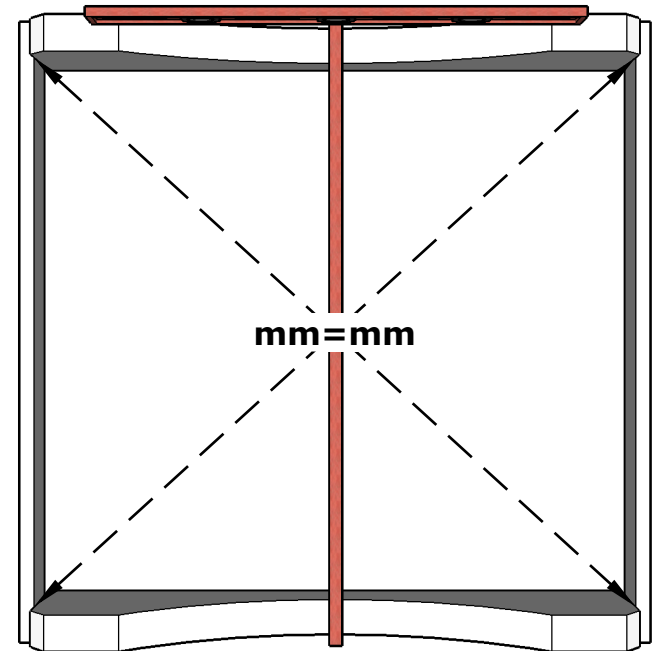
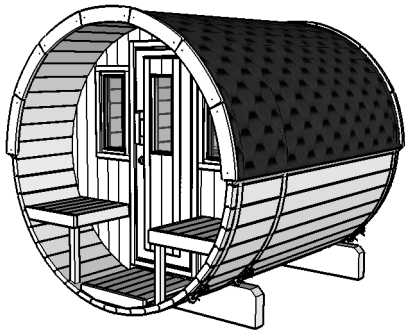


Details list nr.1

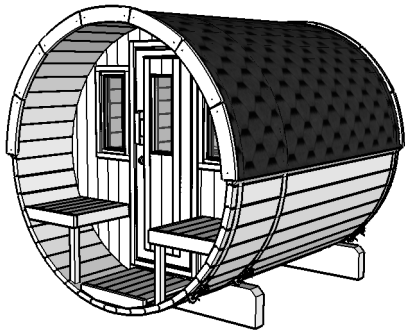


Details list nr.2

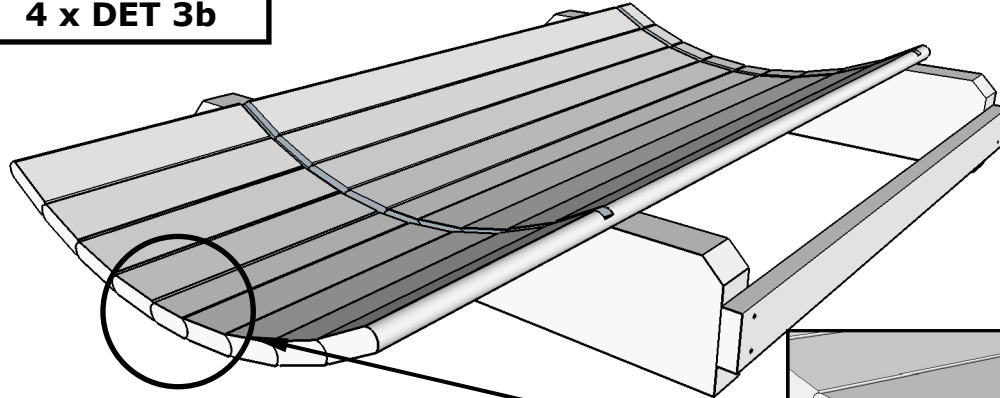




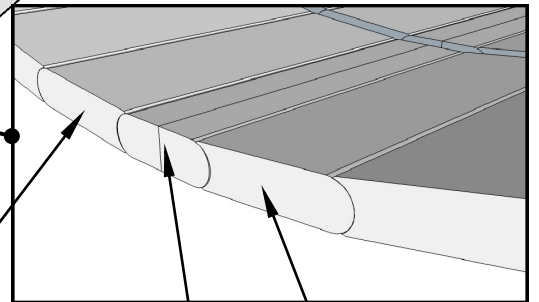
1.



4 x DET 3a
4 x DET 3b



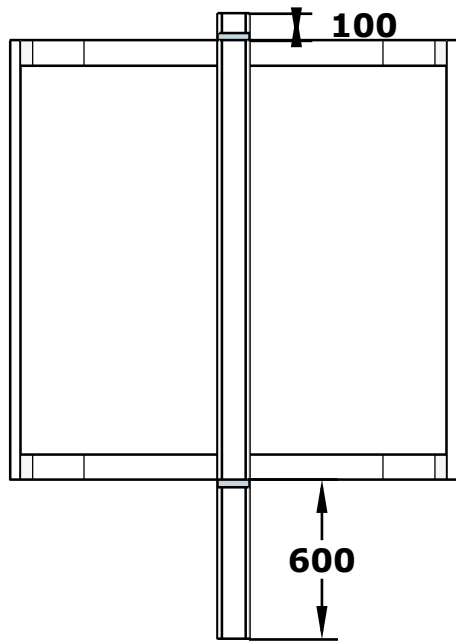
II



3b

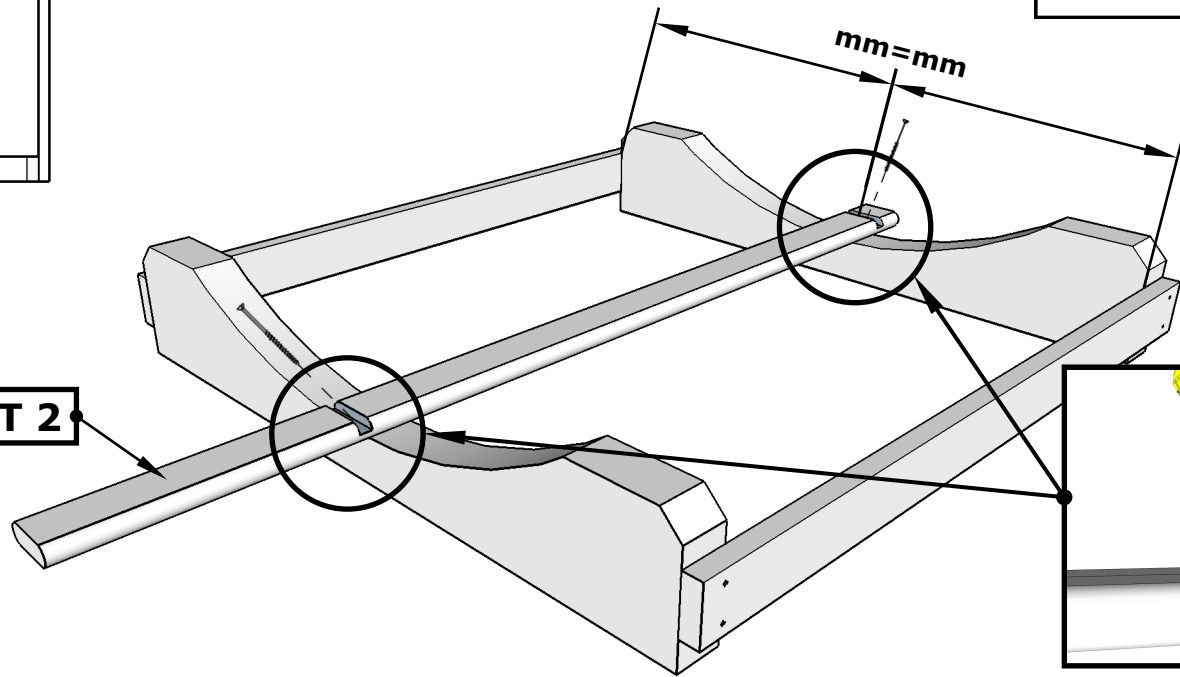
2

3a



1x DET 2

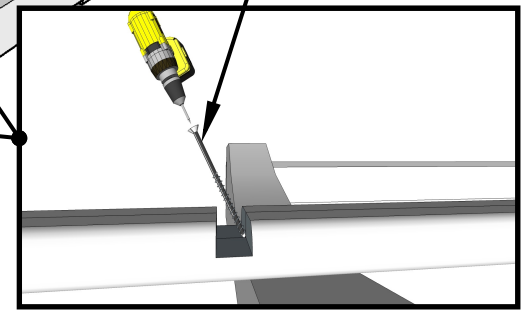
I



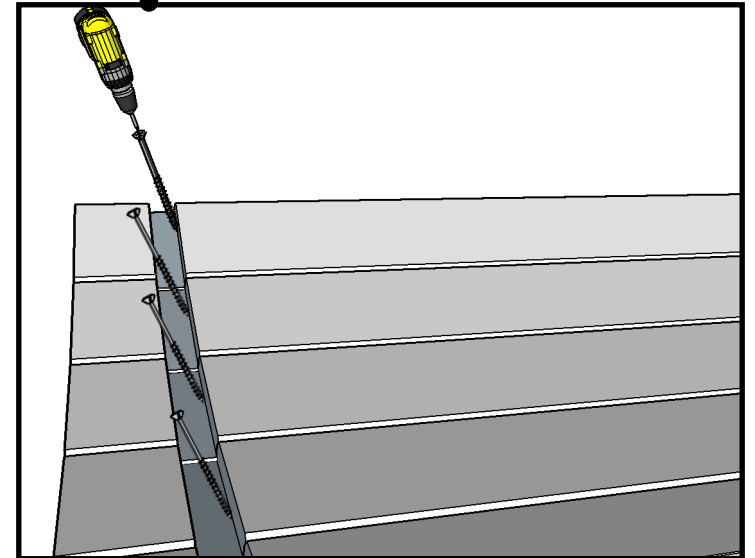
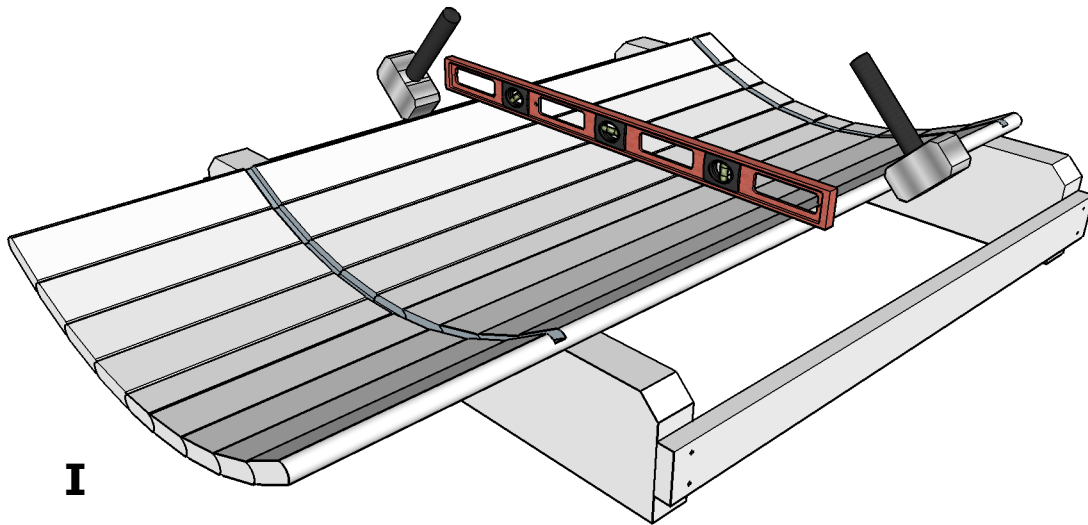
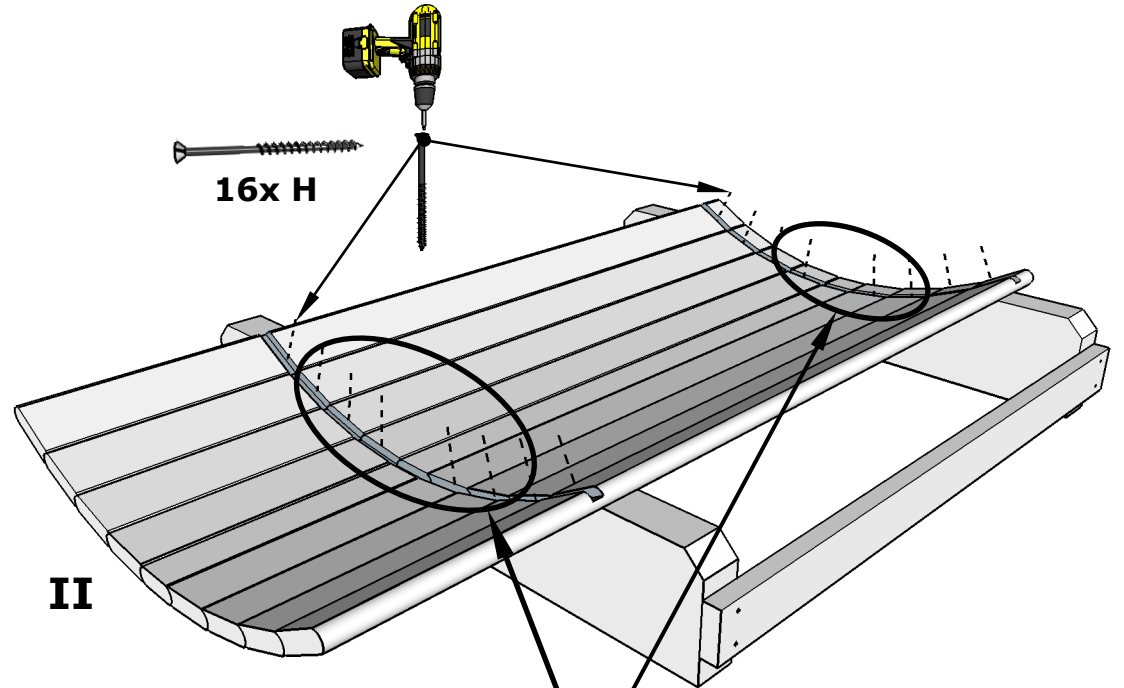
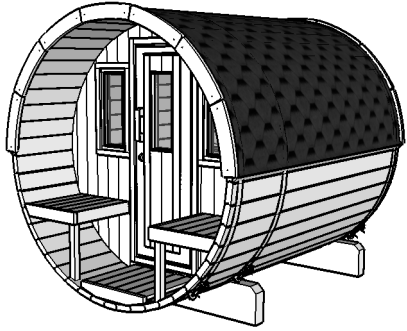
mm=mm



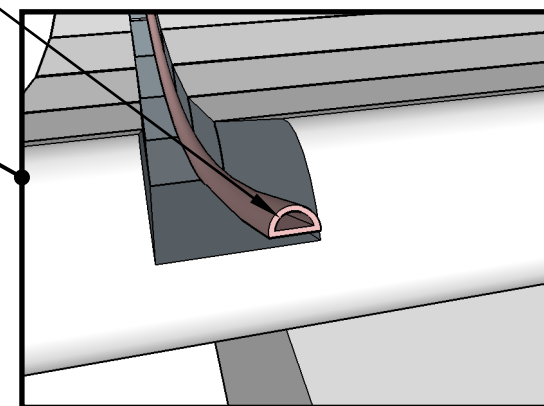
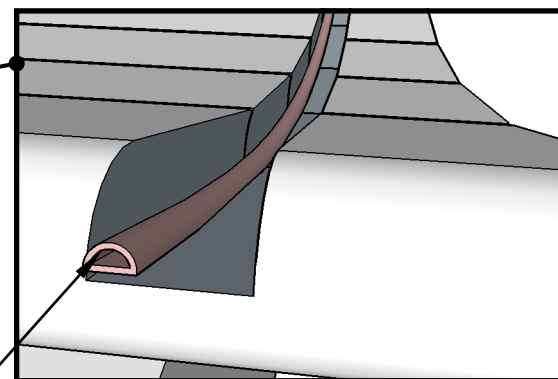
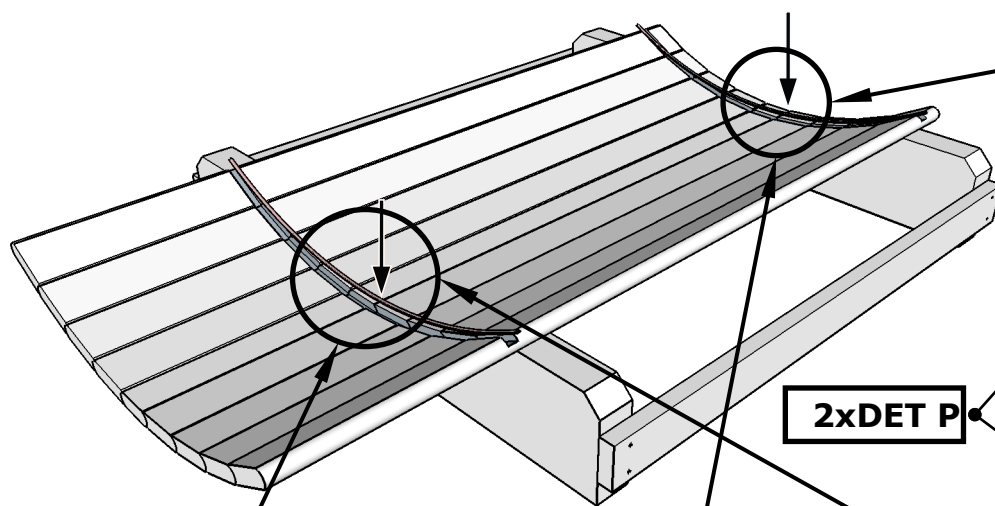
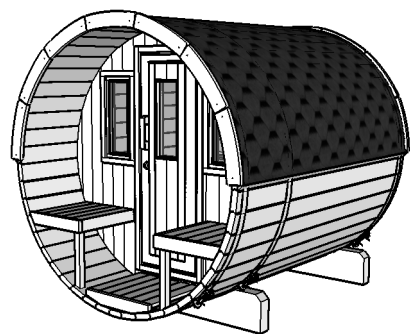
2x H



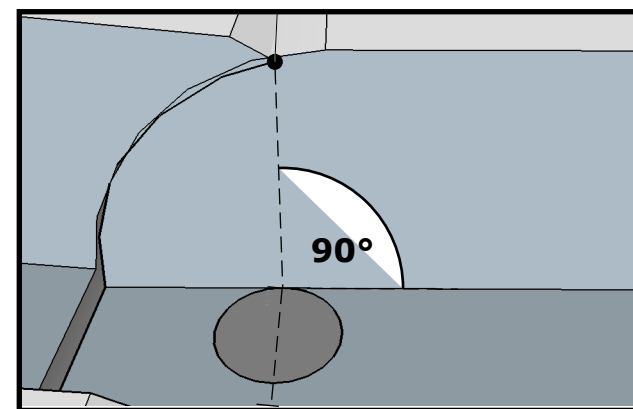
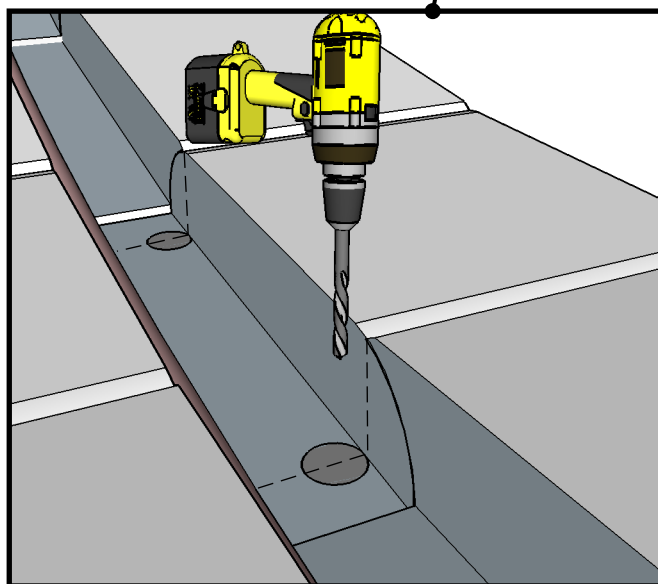
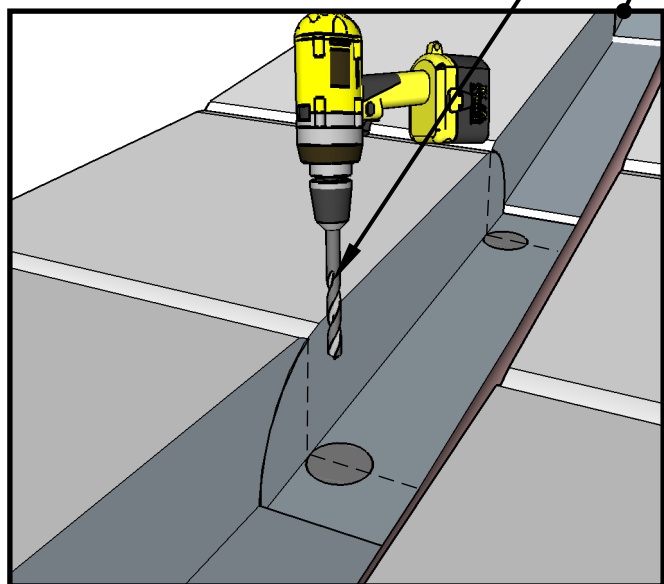
2.



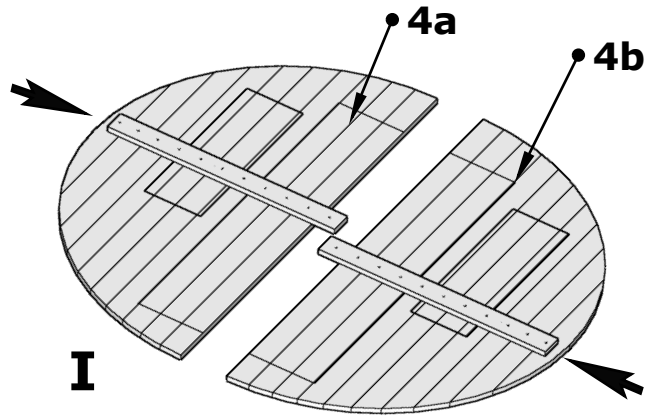
3.



**Drill 4 holes
in DET 2 Ø10 mm**

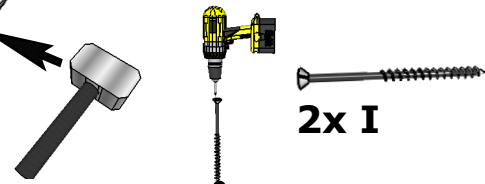


3A.

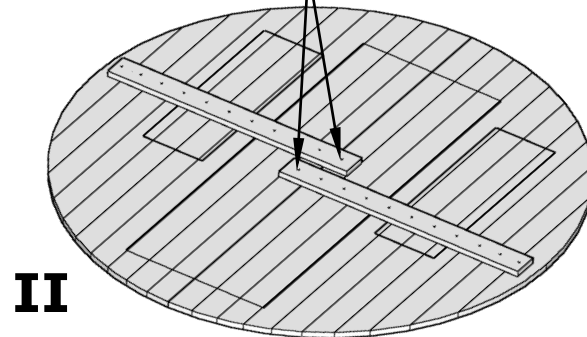


I

FRONT

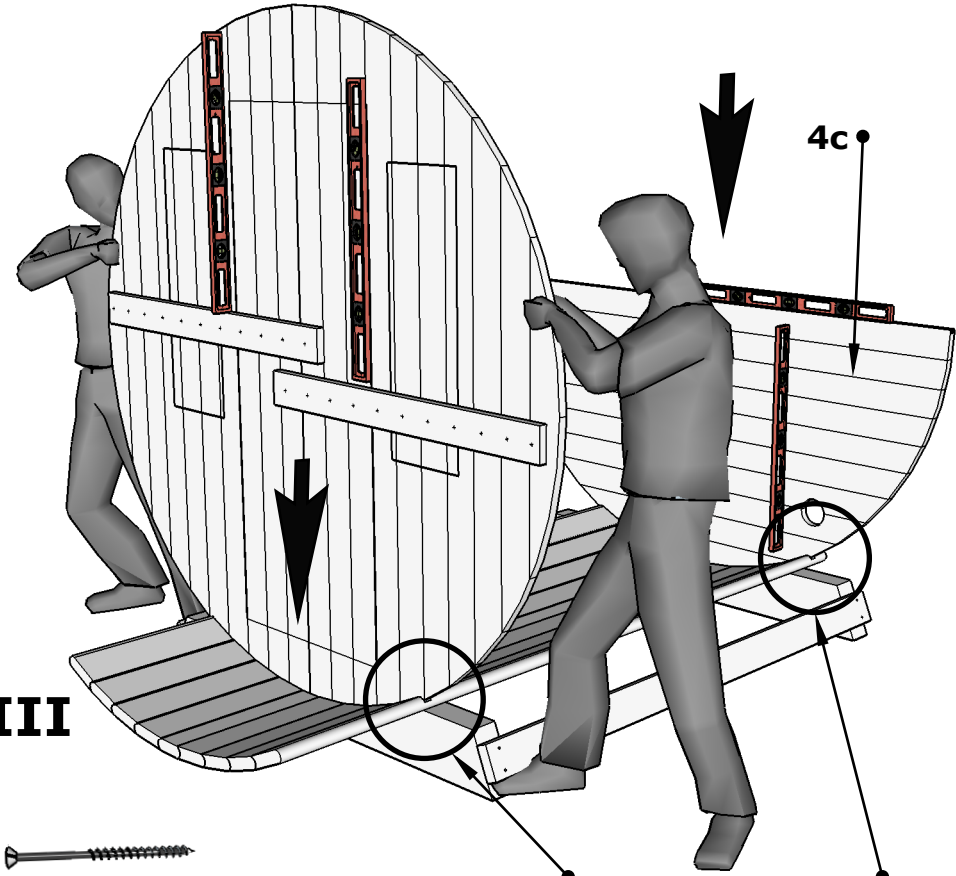


III

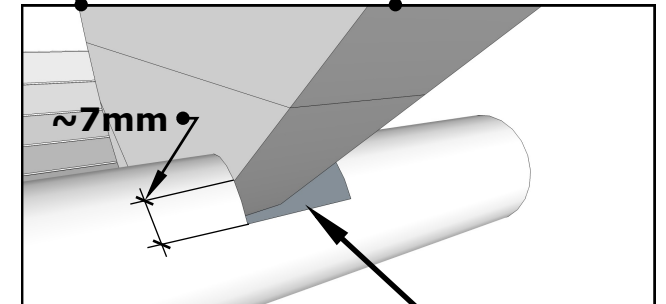


II

FRONT

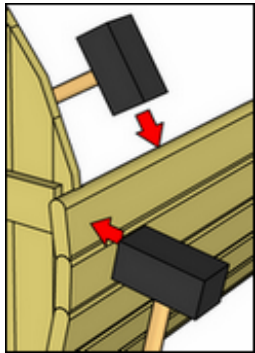
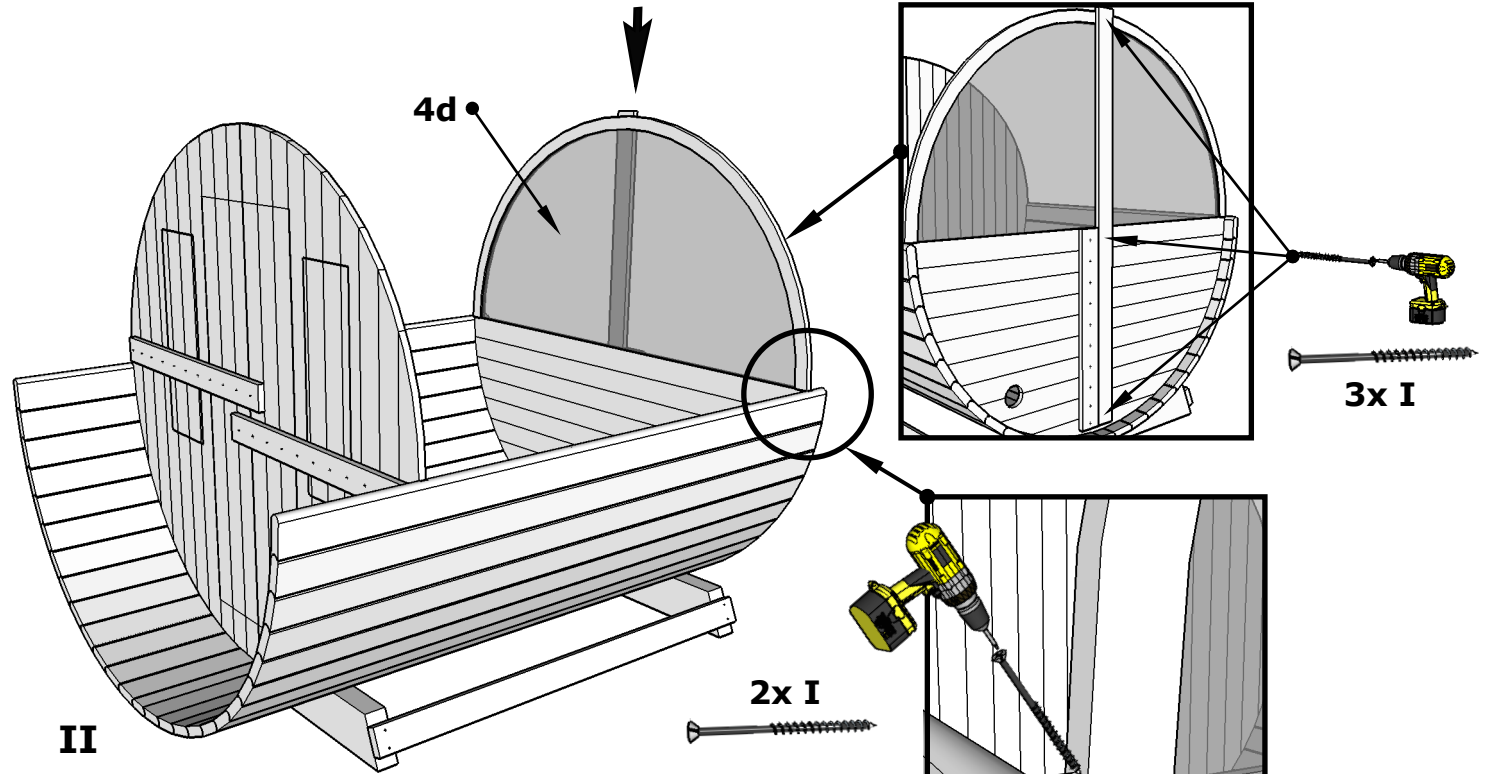


4c



NB!!! No spacing on thermal wood!!!

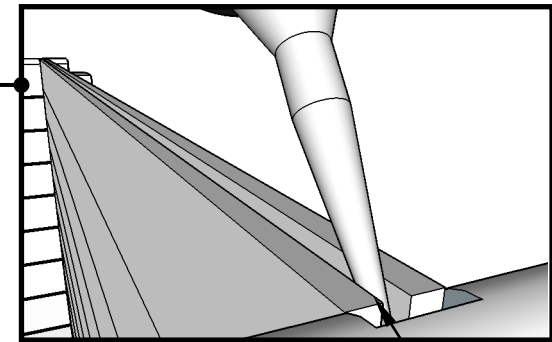
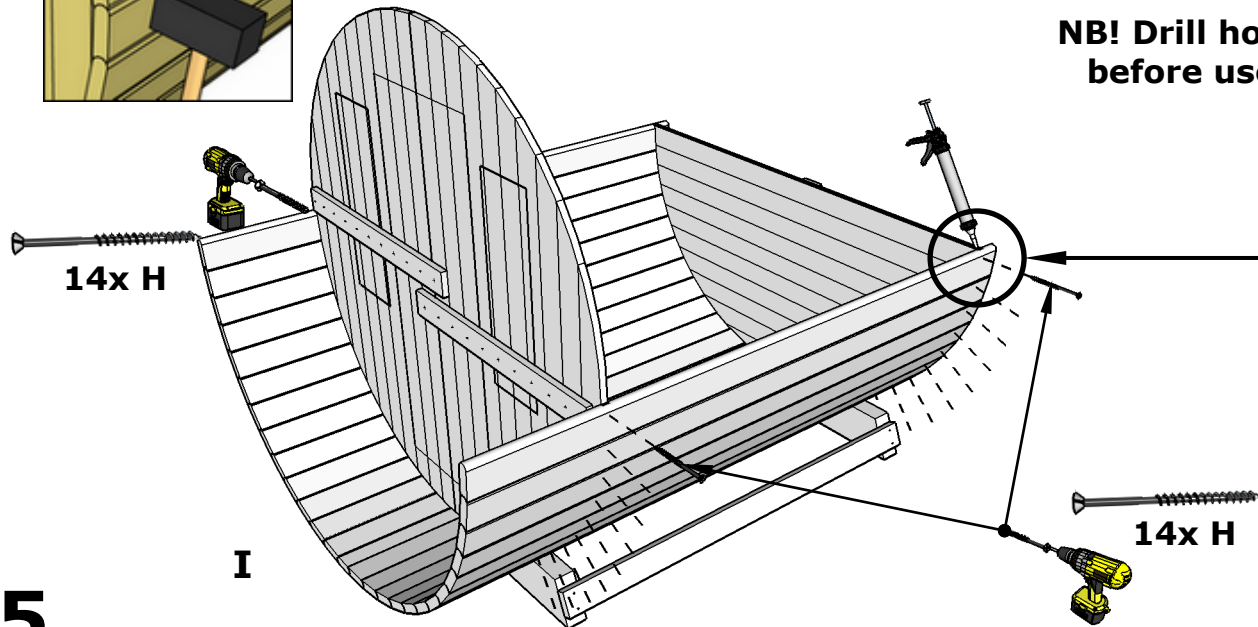
4.



7x DET 3a
7x DET 3b

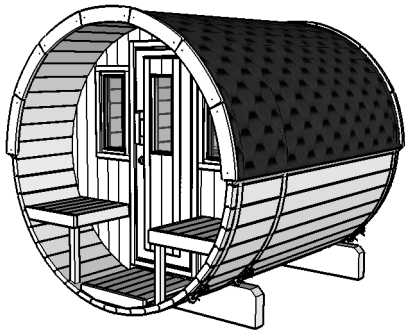
2x I

NB! Drill hole \varnothing 4mm,
before use screw.

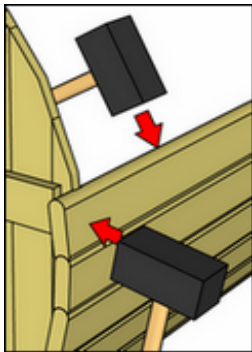
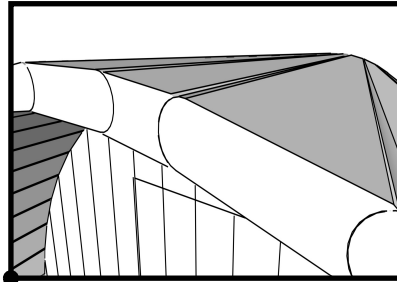


NB! Use water-resistant silicone.

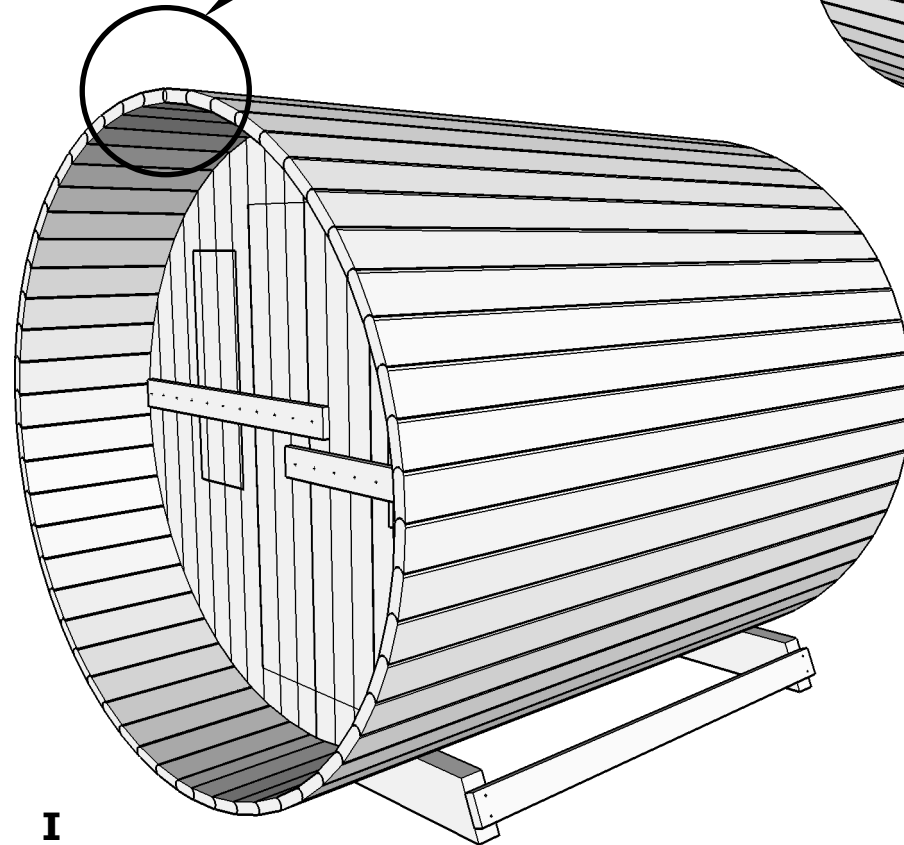
5.



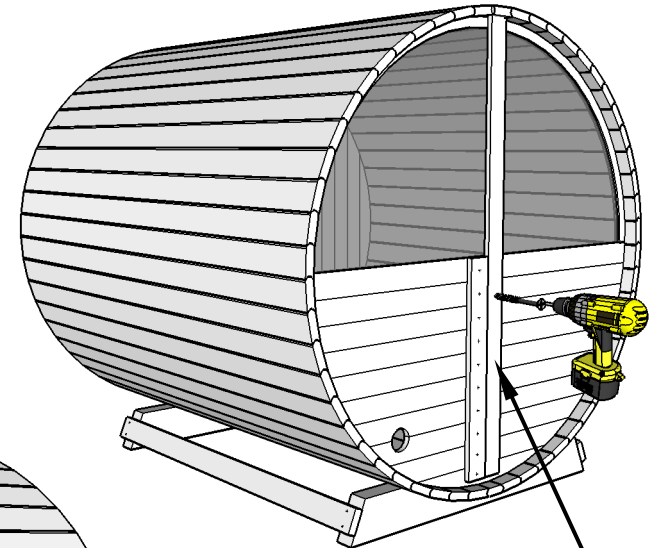
Watch Page 6A



12x DET 3b
11x DET 3a



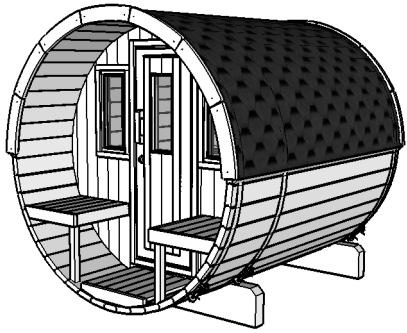
I



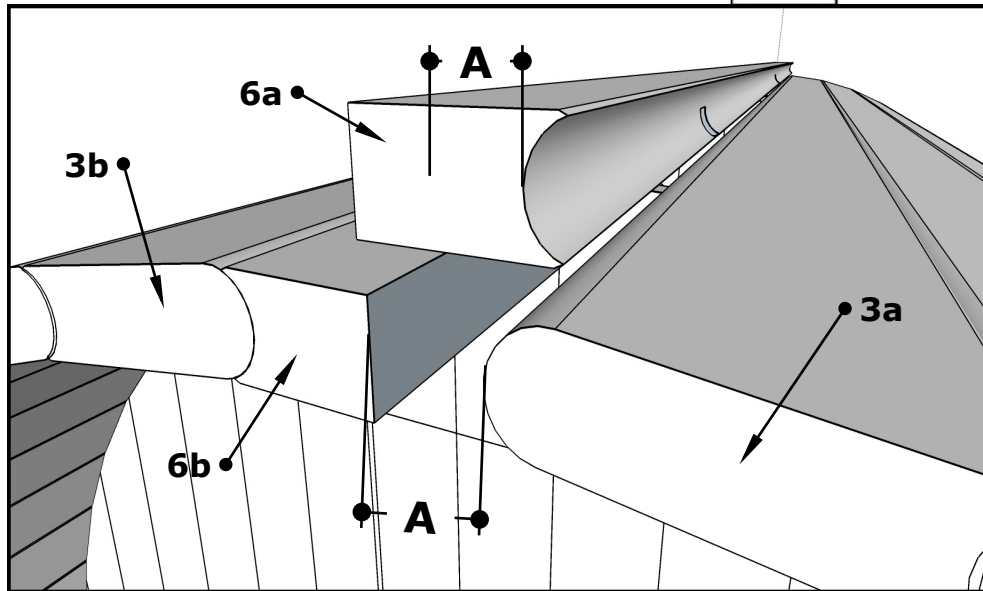
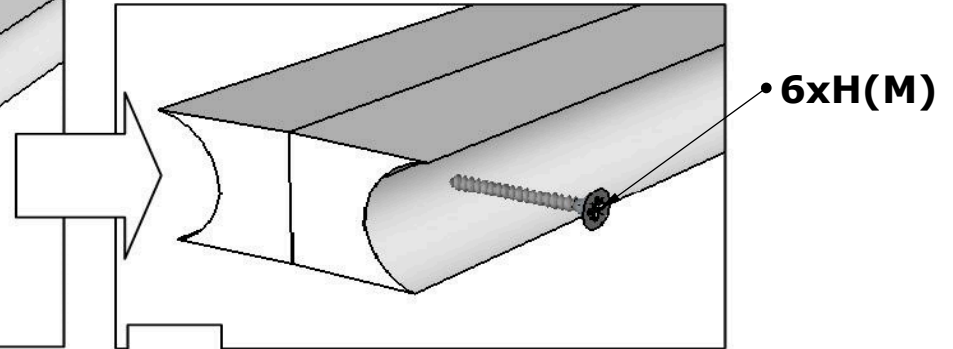
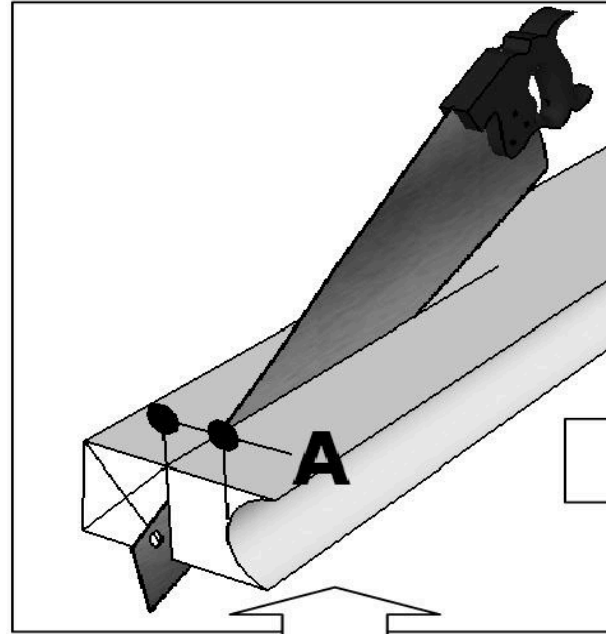
II

NB! Remove before last boards.

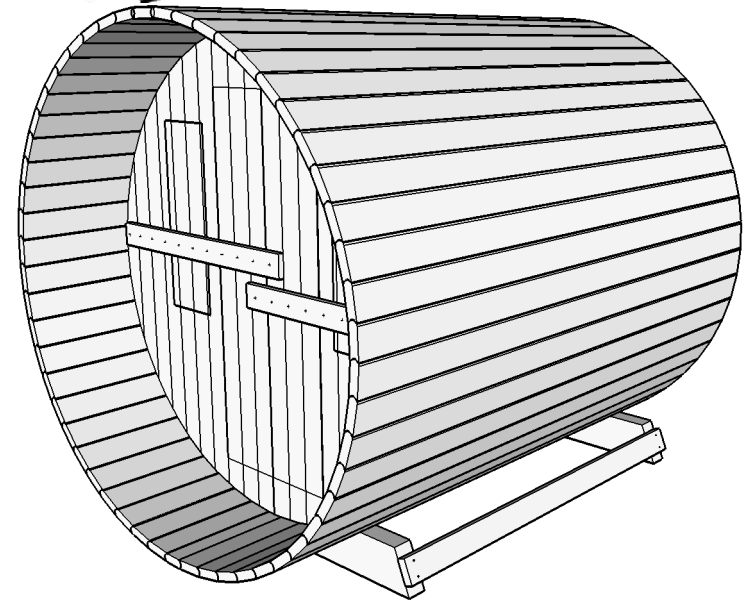
6.

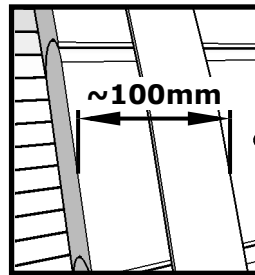


Important!!!

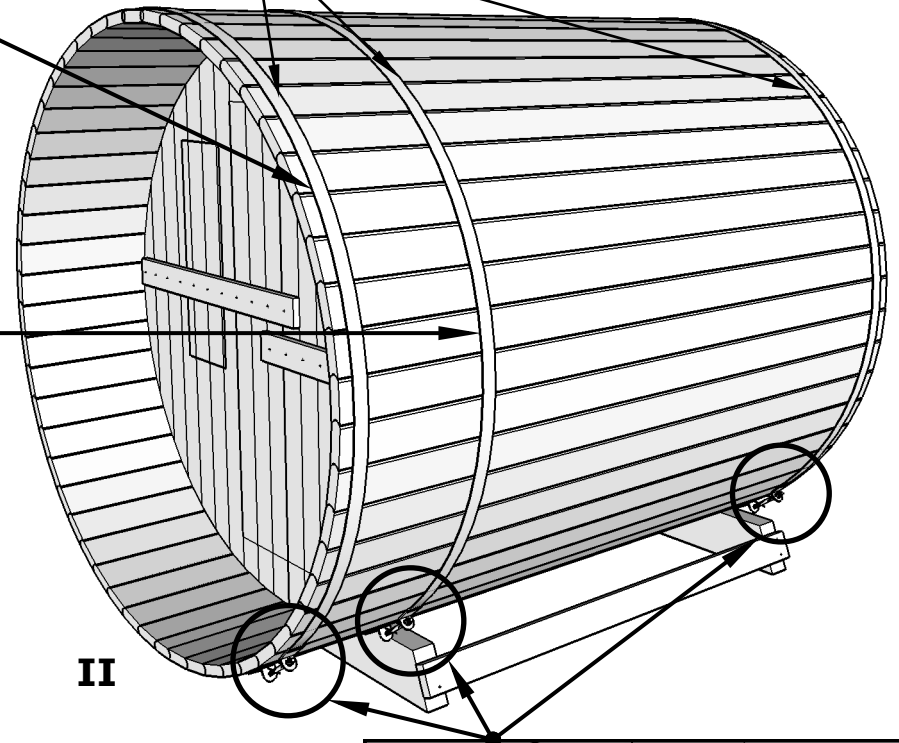
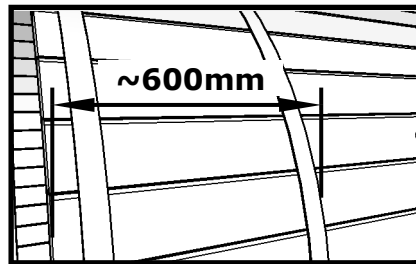


6A.

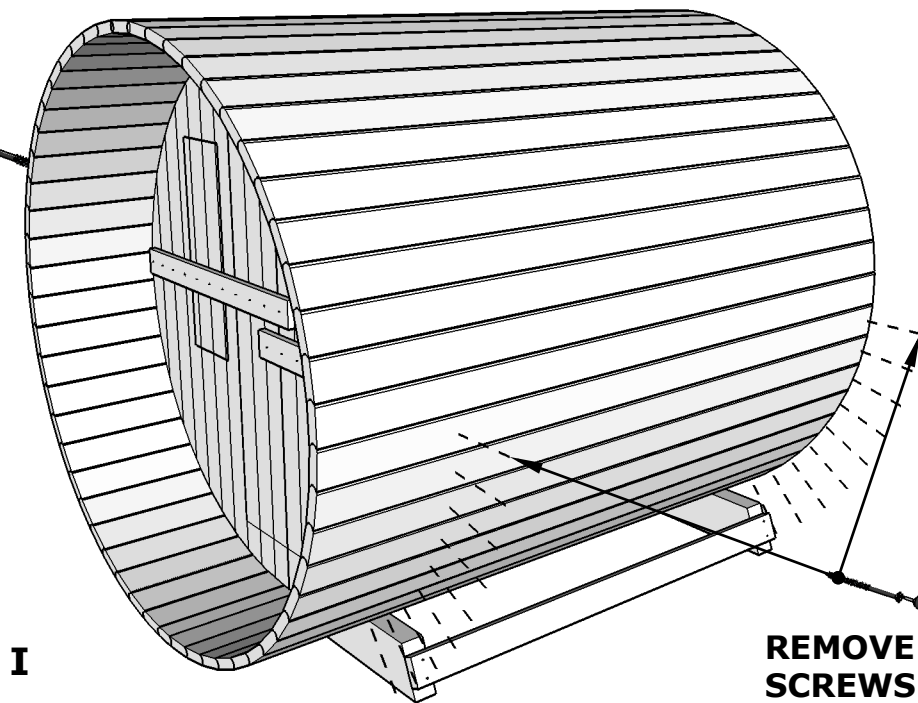




3xDET B

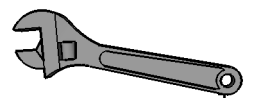
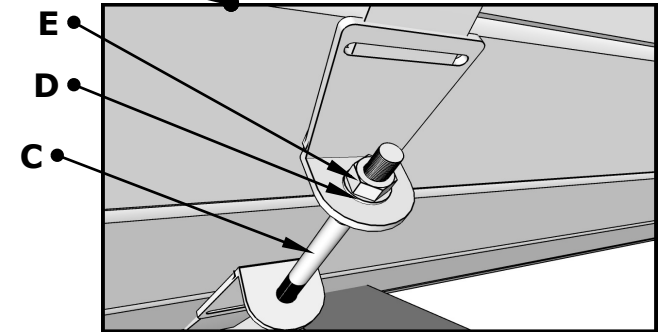



REMOVE
SCREWS

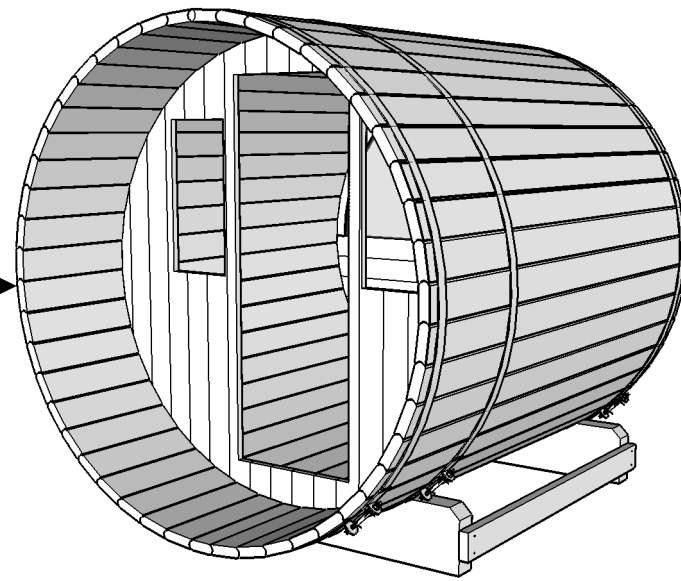
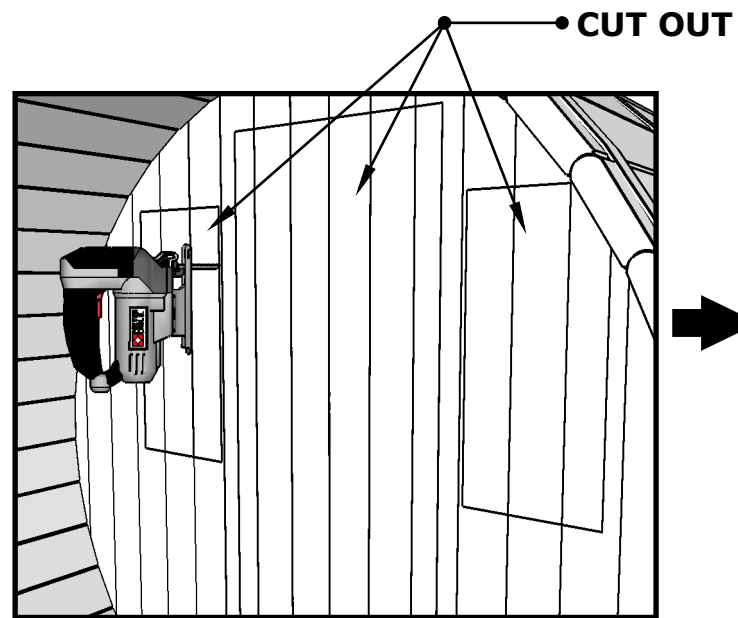
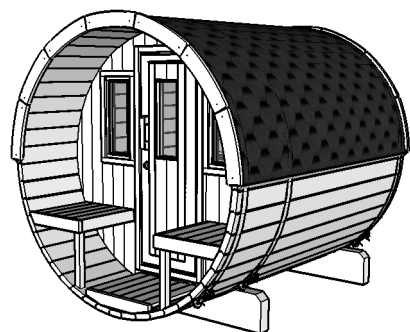


REMOVE
SCREWS 

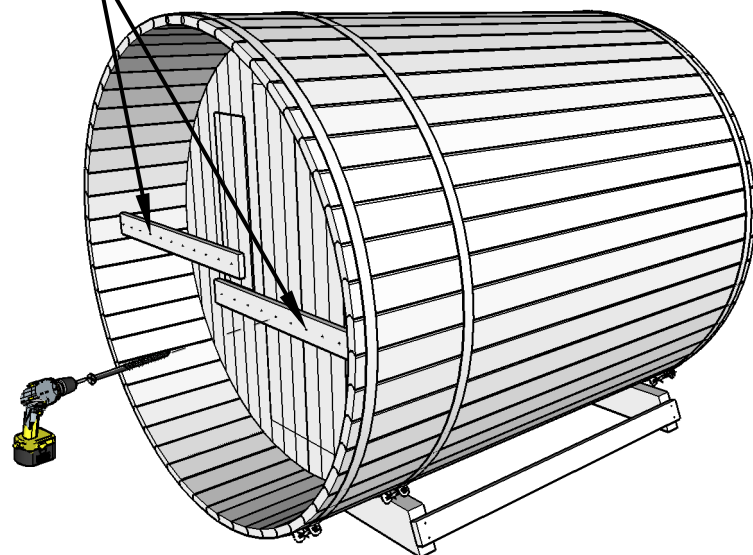
**NB! Don't remove
screws, if using
thermal wood!!!**



7.

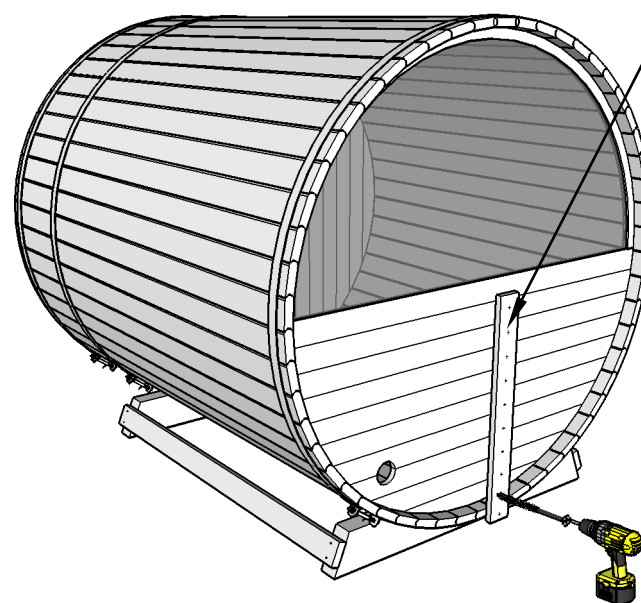


REMOVE

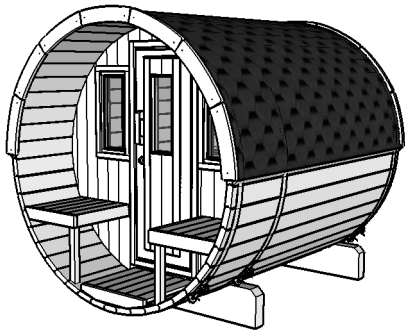


I

REMOVE



8.



38x J



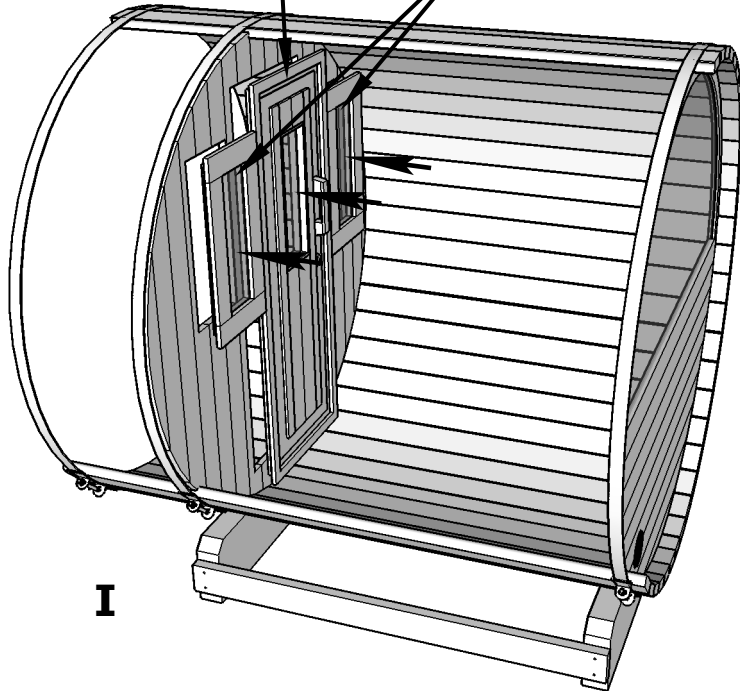
II

NB! Horizontally fix screw in every board!!!

IV

1xDET 7

2xDET 8

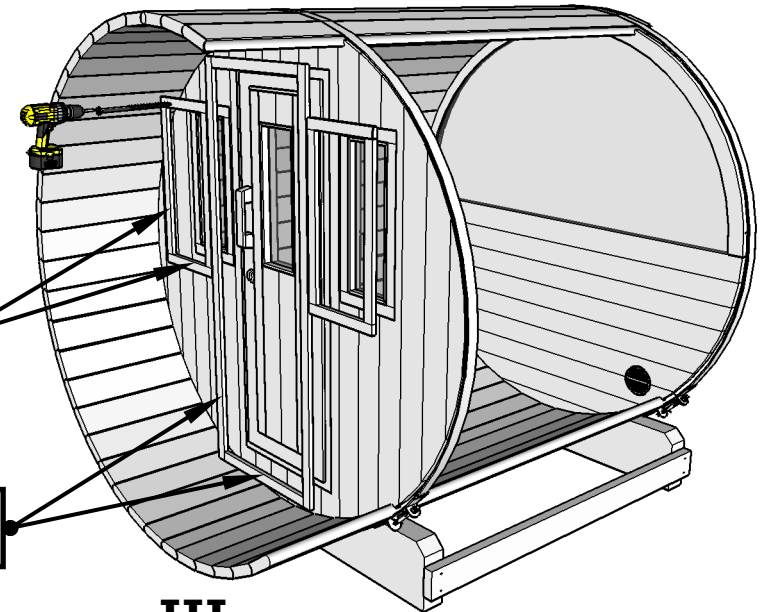


I

34xJ

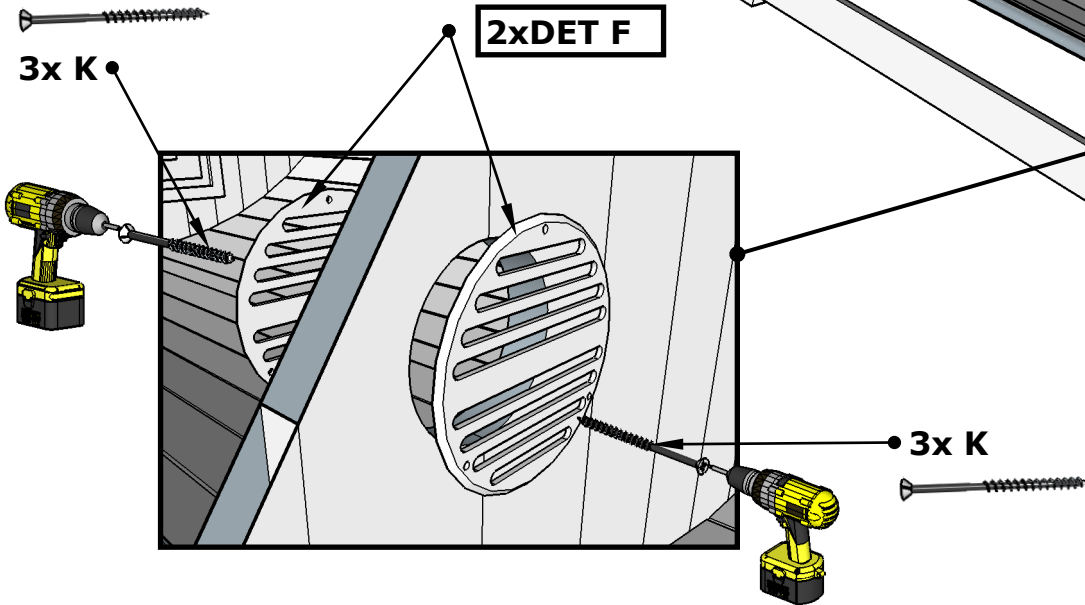
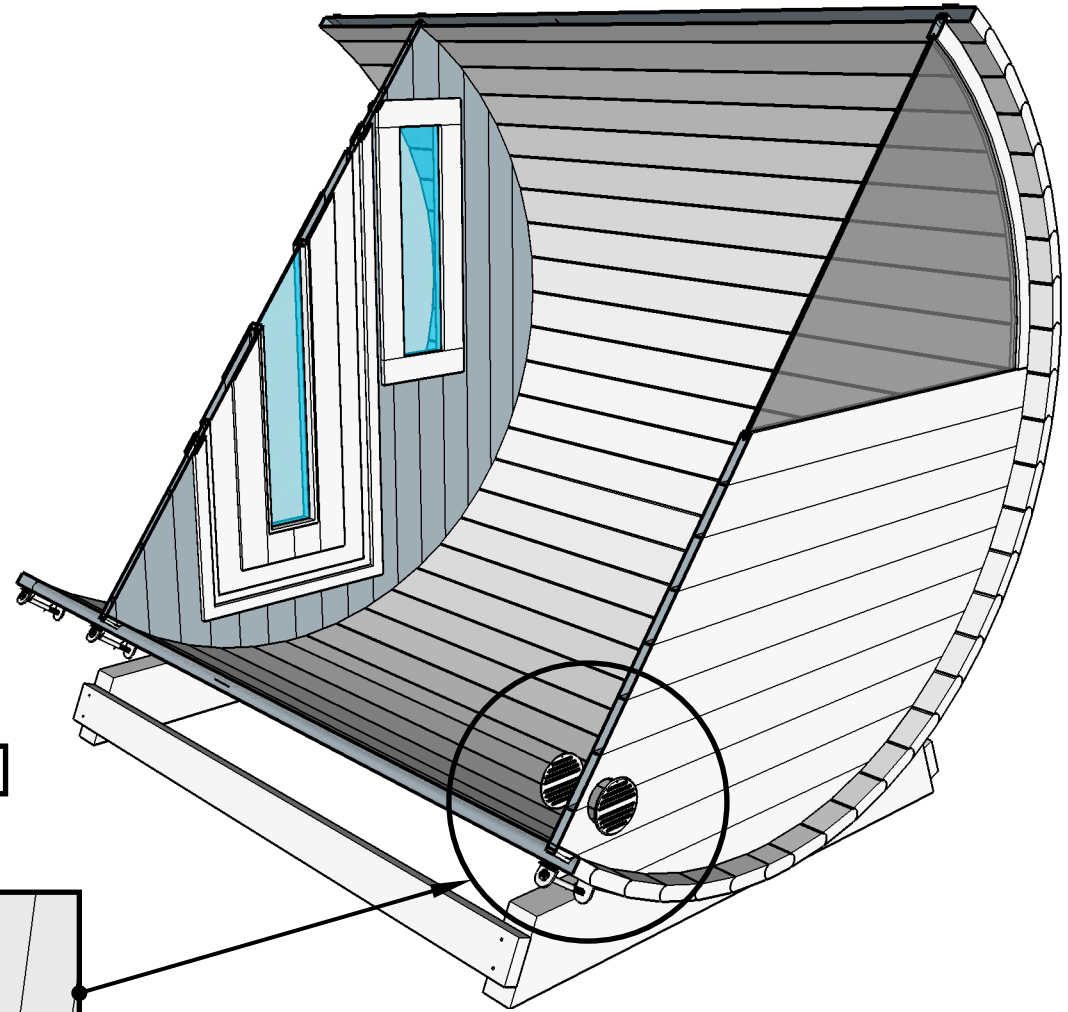
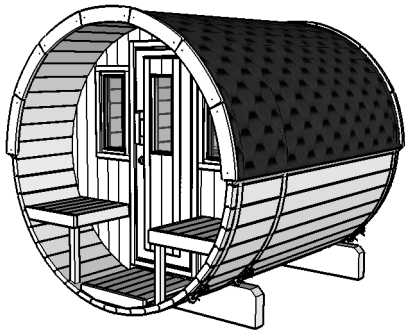
4xDET 8a
4xDET 8b

2xDET 7a
2xDET 7b

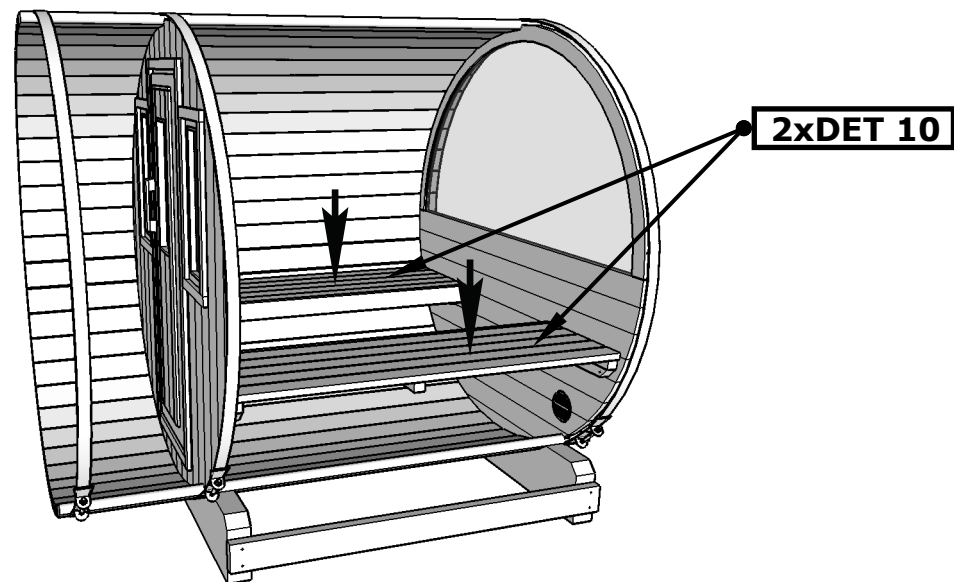
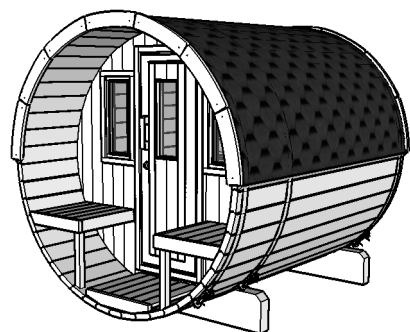


III

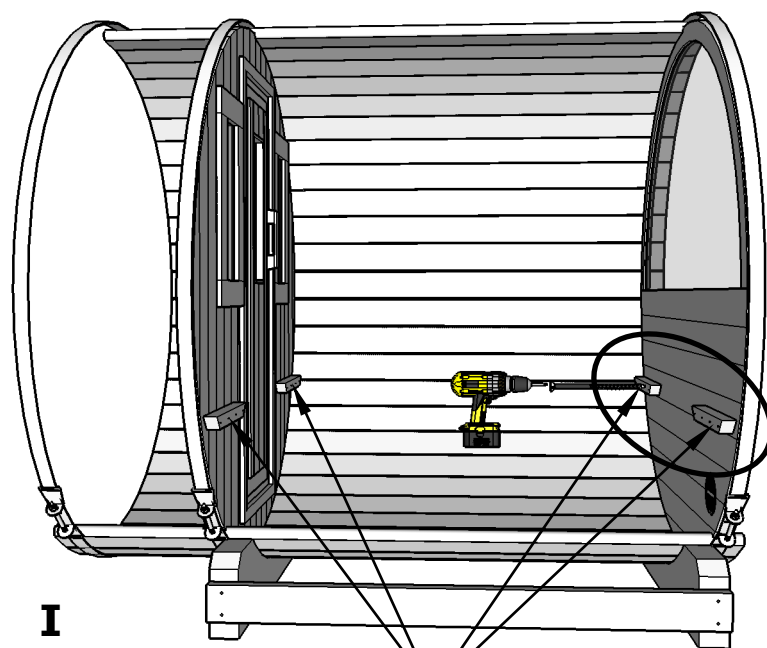
9.



10.

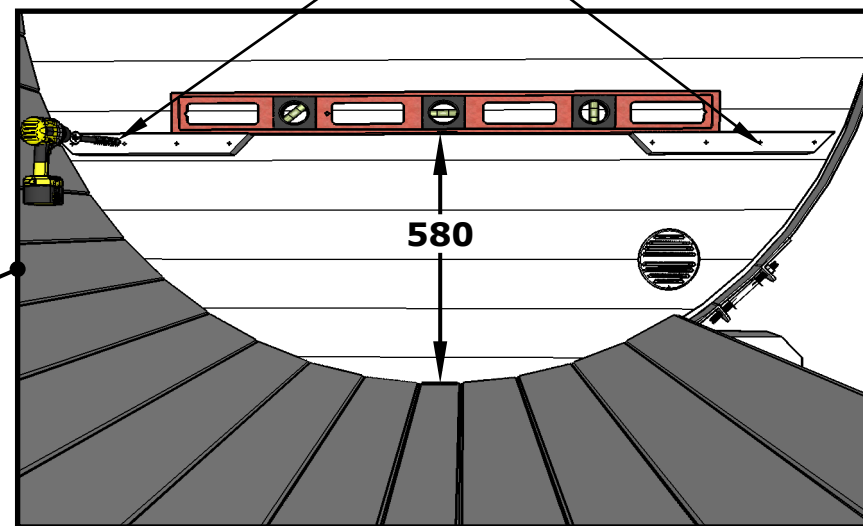


III



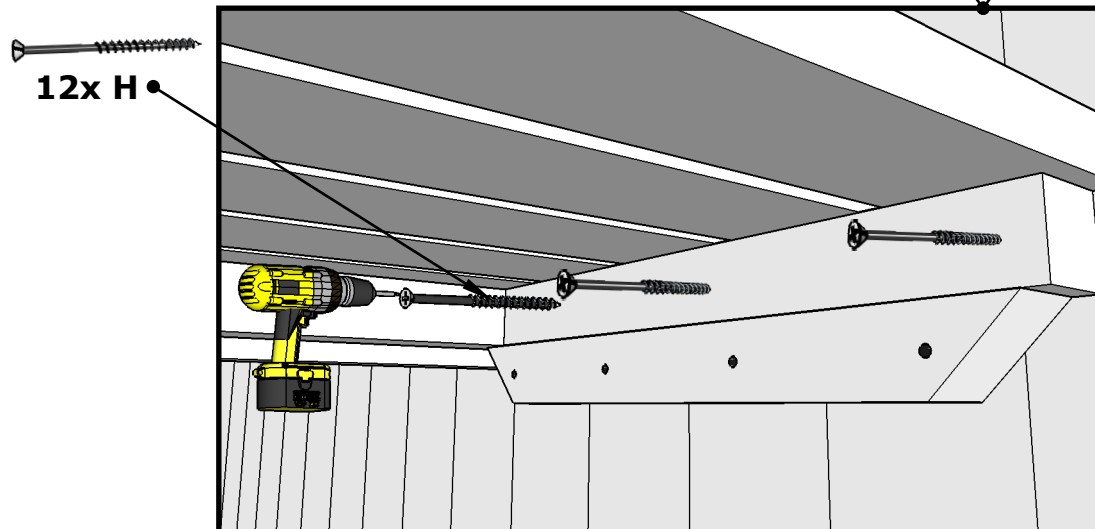
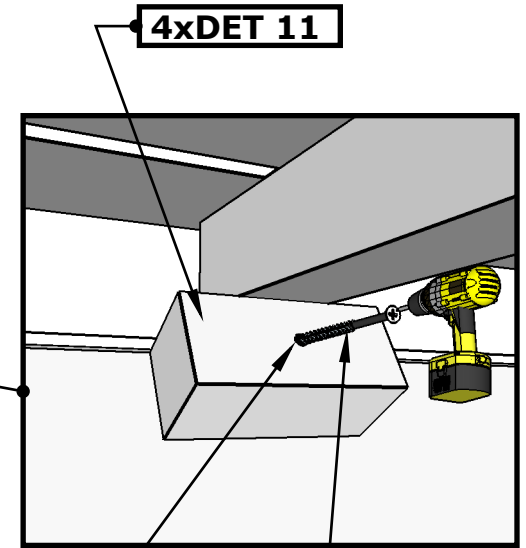
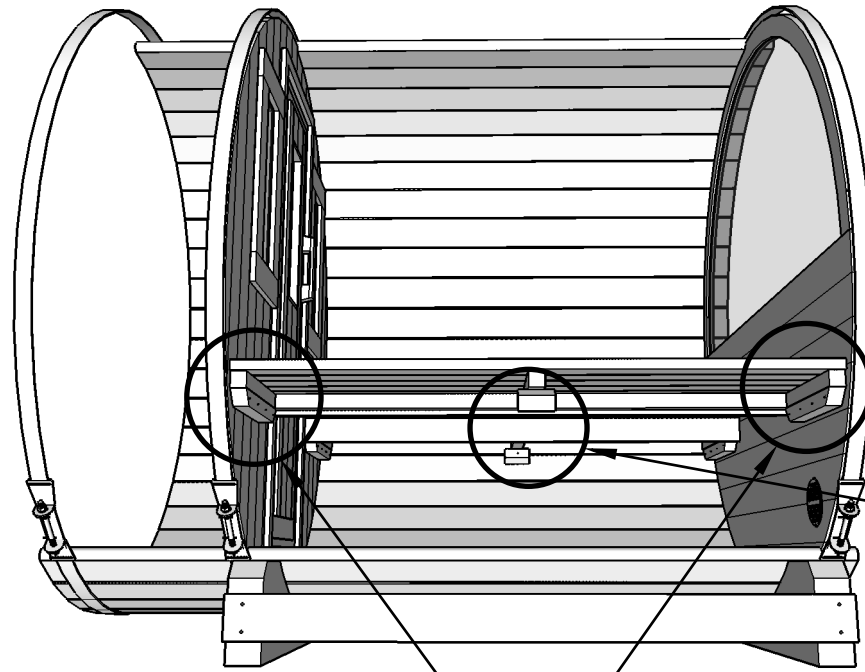
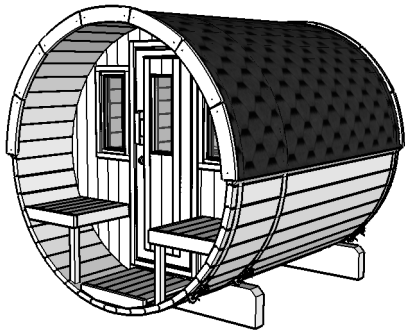
I

4xDET 9

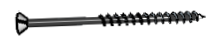


II

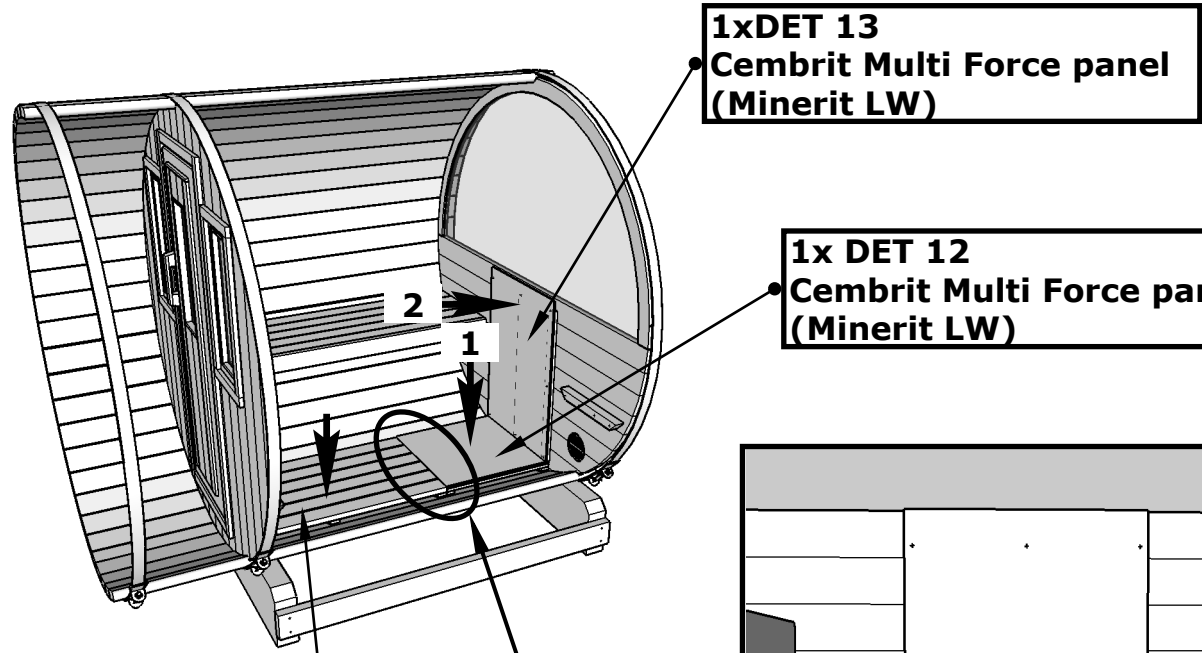
11.



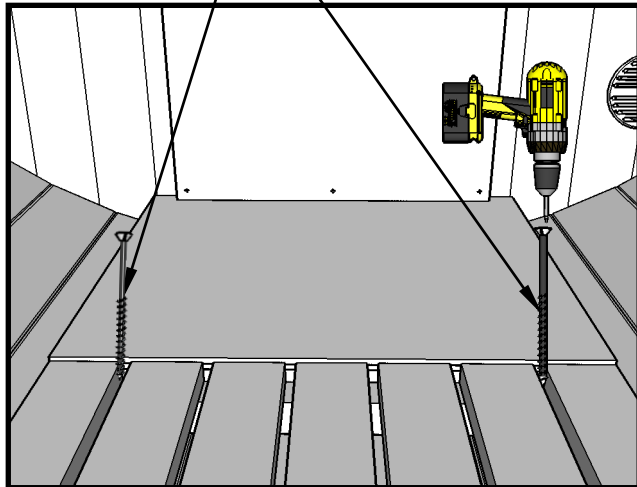
2x H



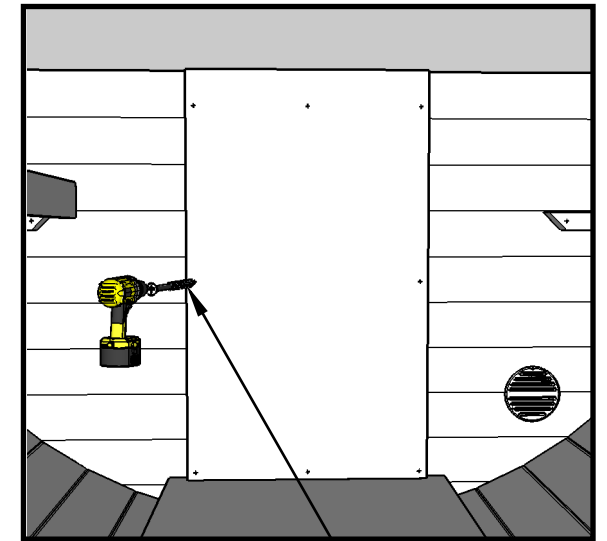
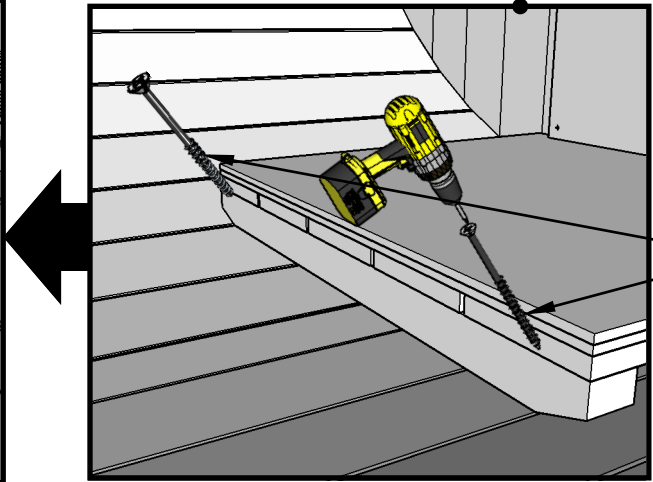
• NB! Drill hole \varnothing 4mm, before use screw.



4x M

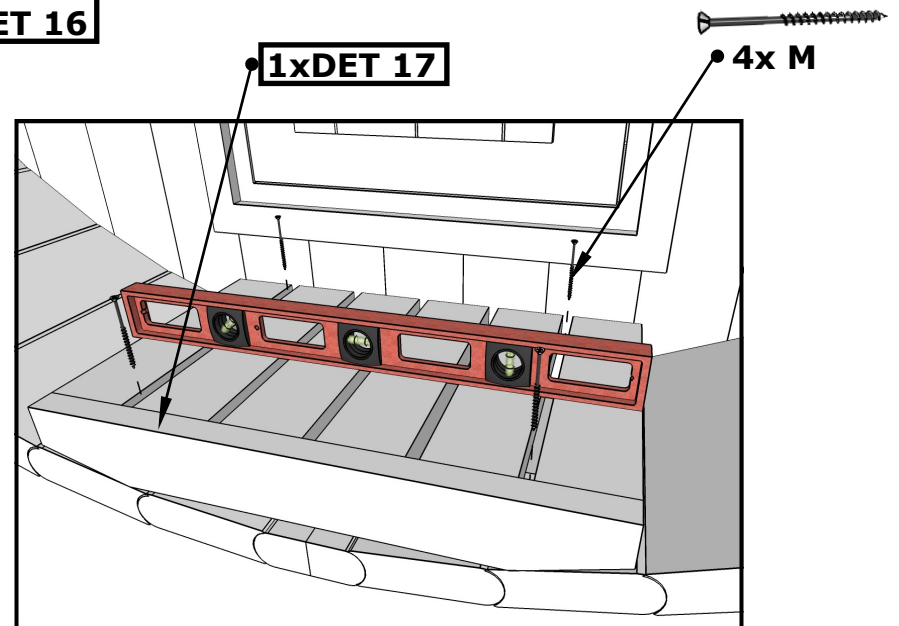
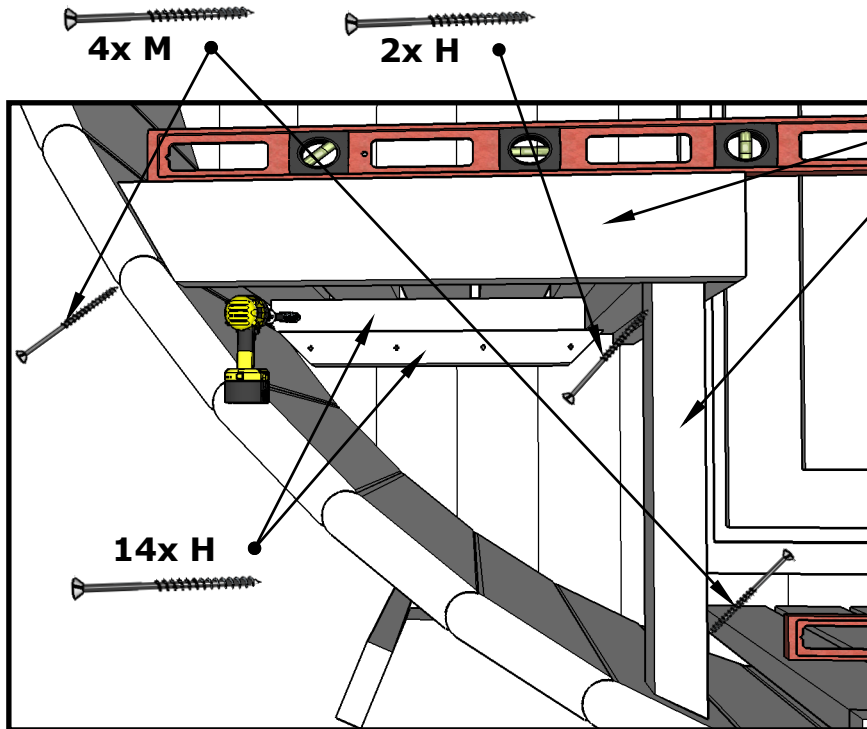


1xDET 14

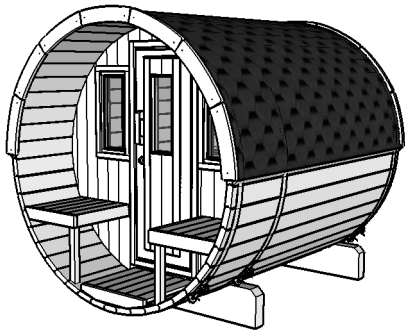


2x M

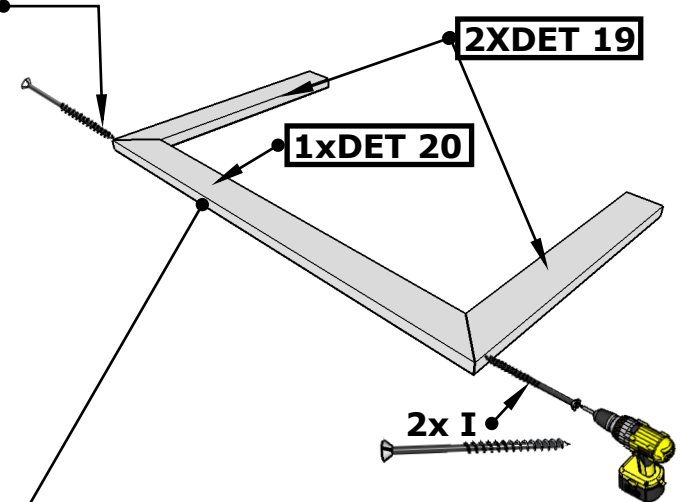
8x I



14.

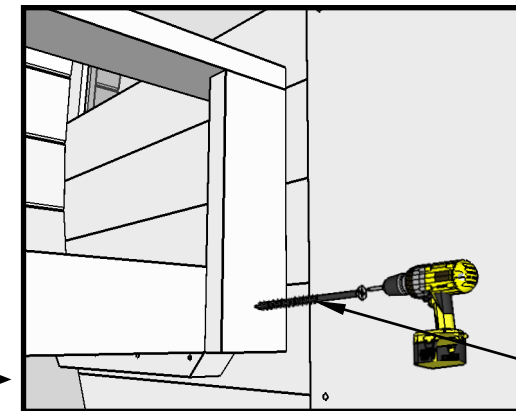


**NB! Drill hole \varnothing 4mm,
before using screw.**

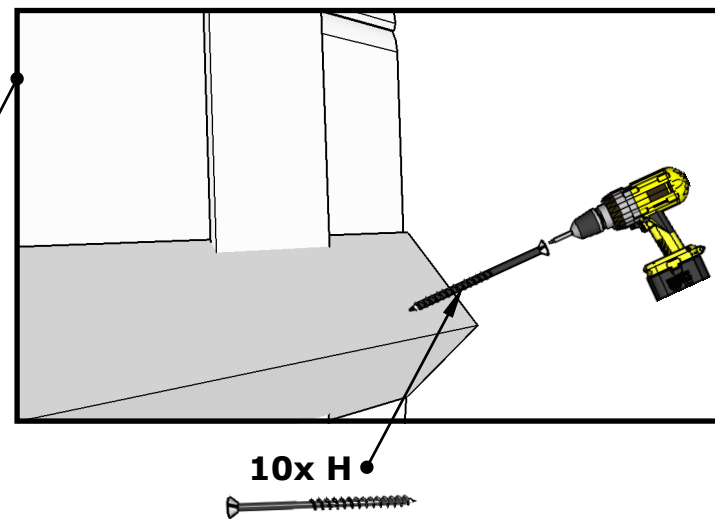
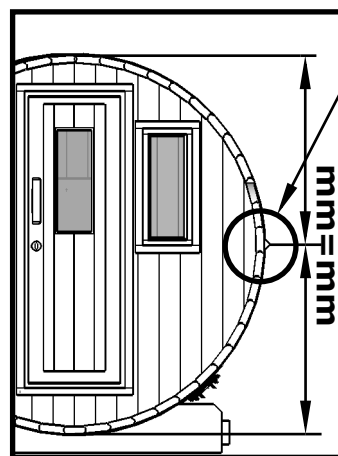
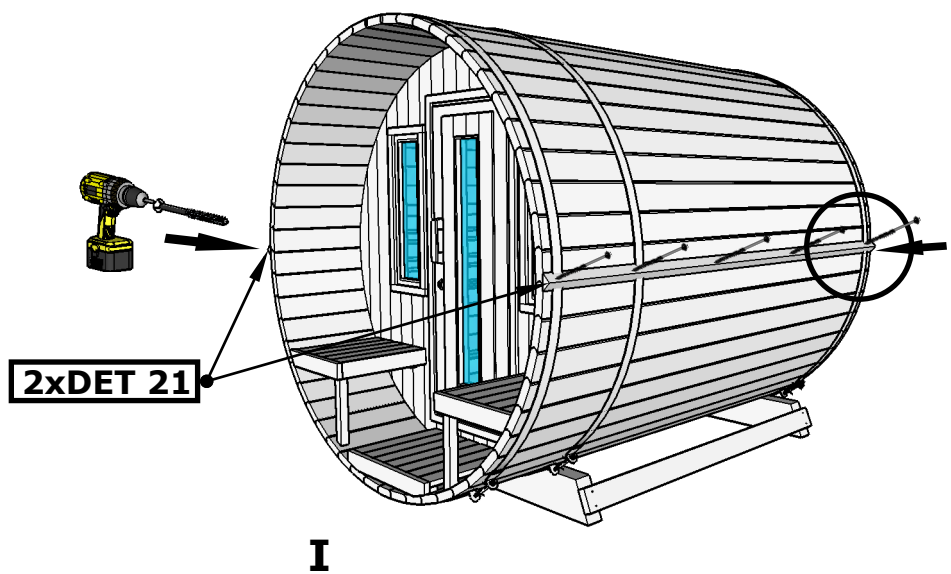
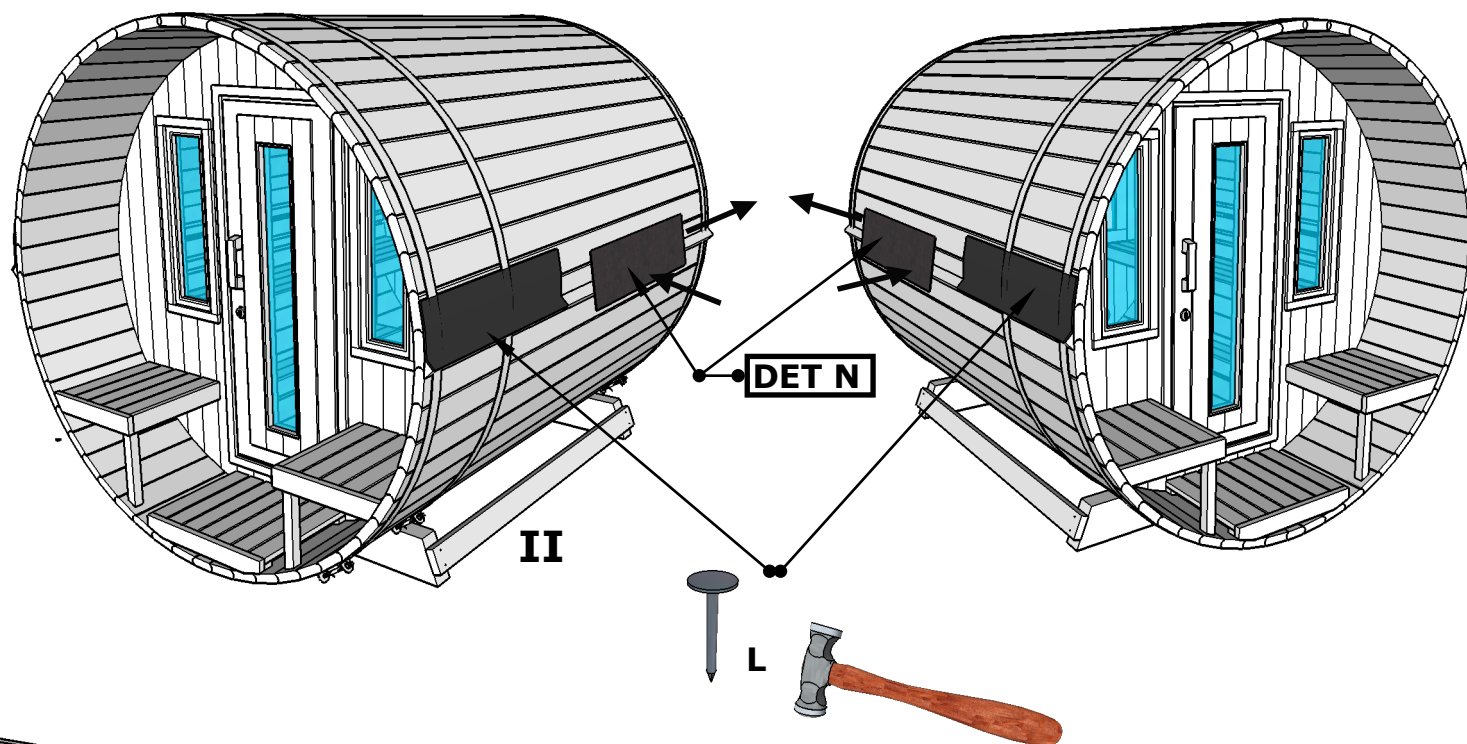
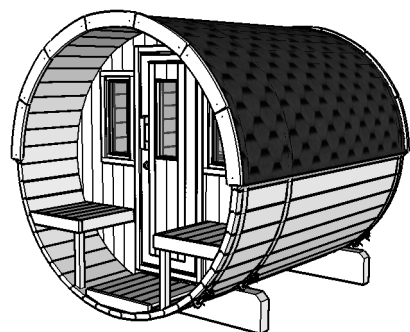


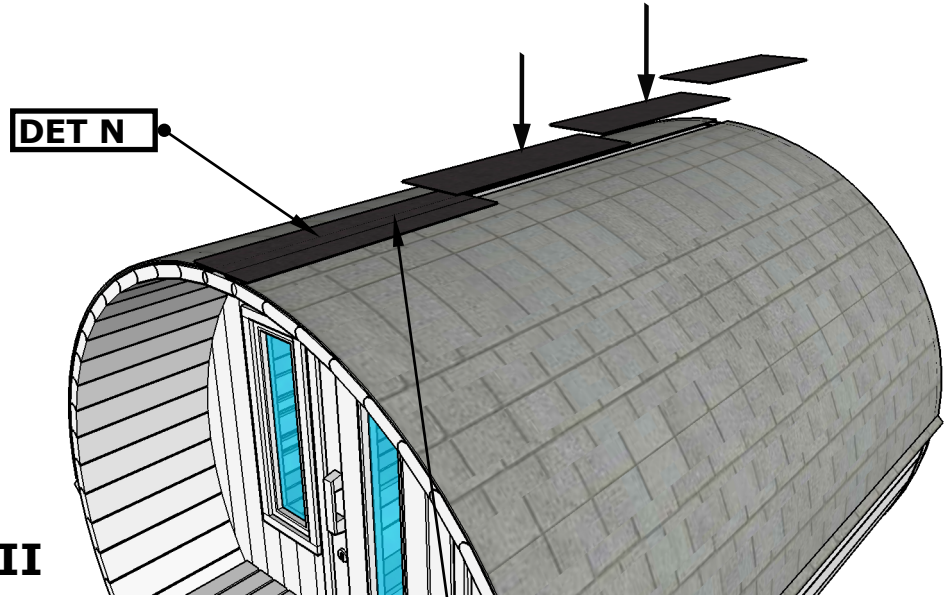
6x H

NB! Place Sauna heater first.

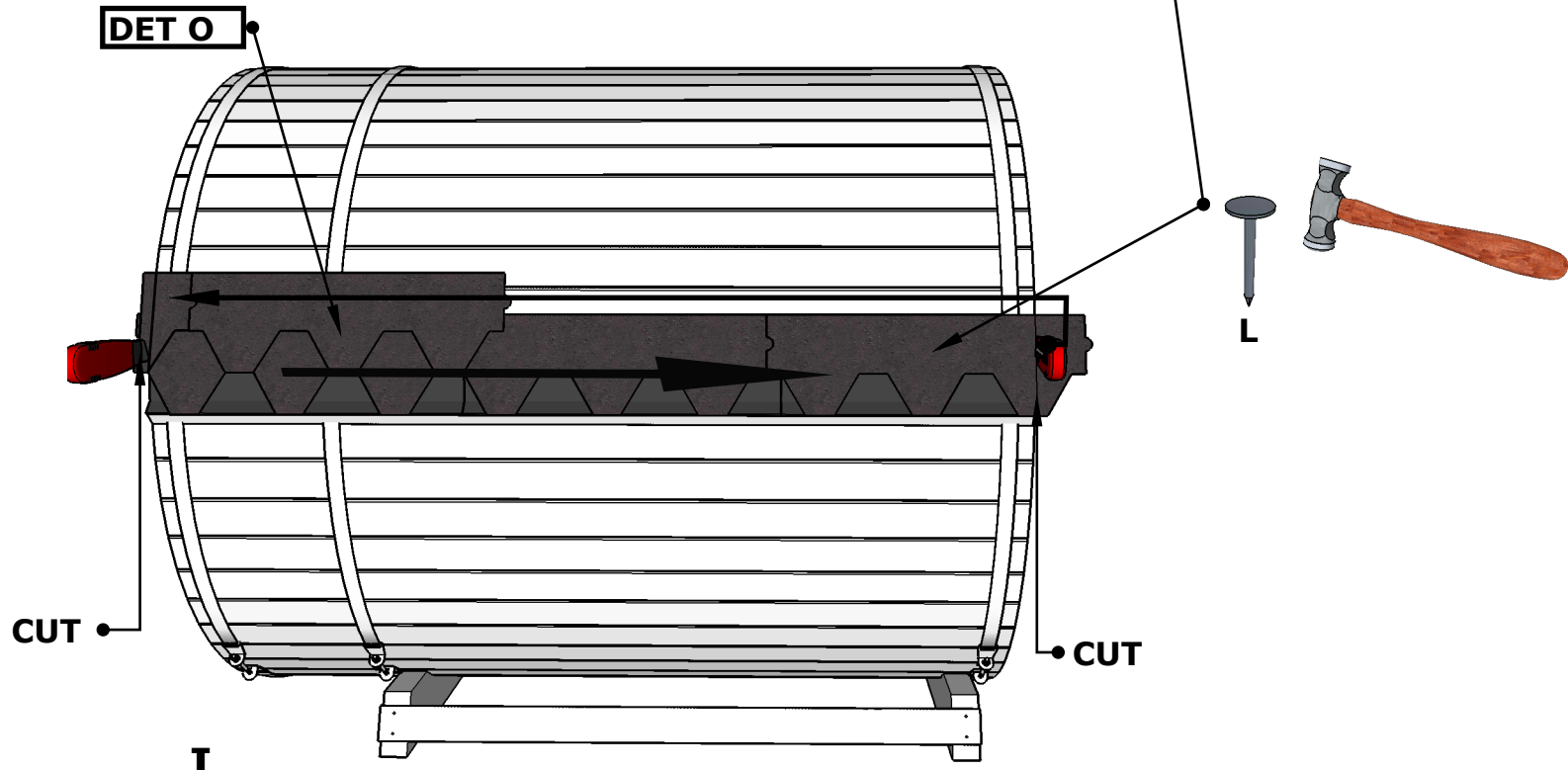


4x H



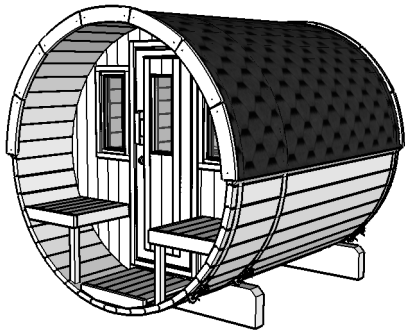


II

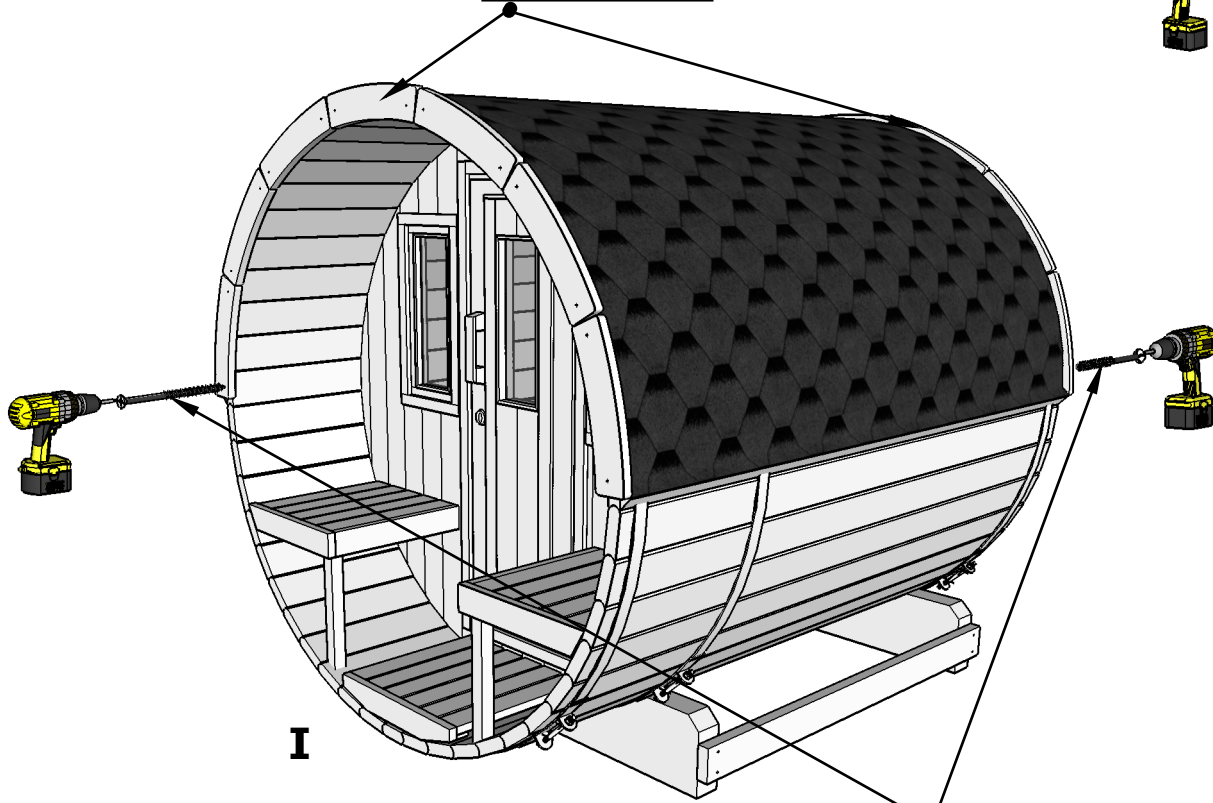


I

17.

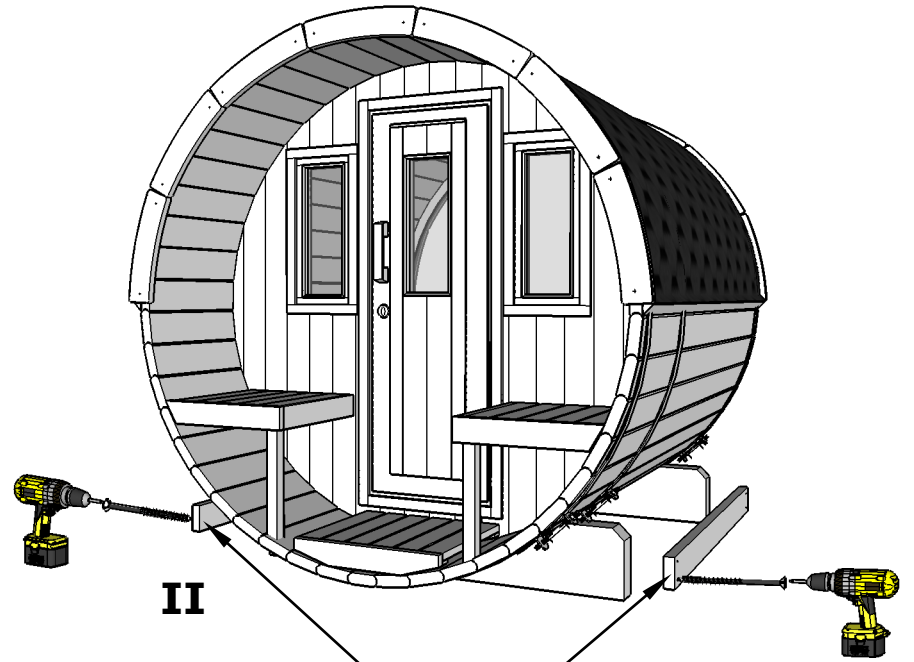


14xDET 22



I

28x H



II

REMOVE

18.