

# MONTERINGSANVISNING ASSEMBLY INSTRUCTIONS

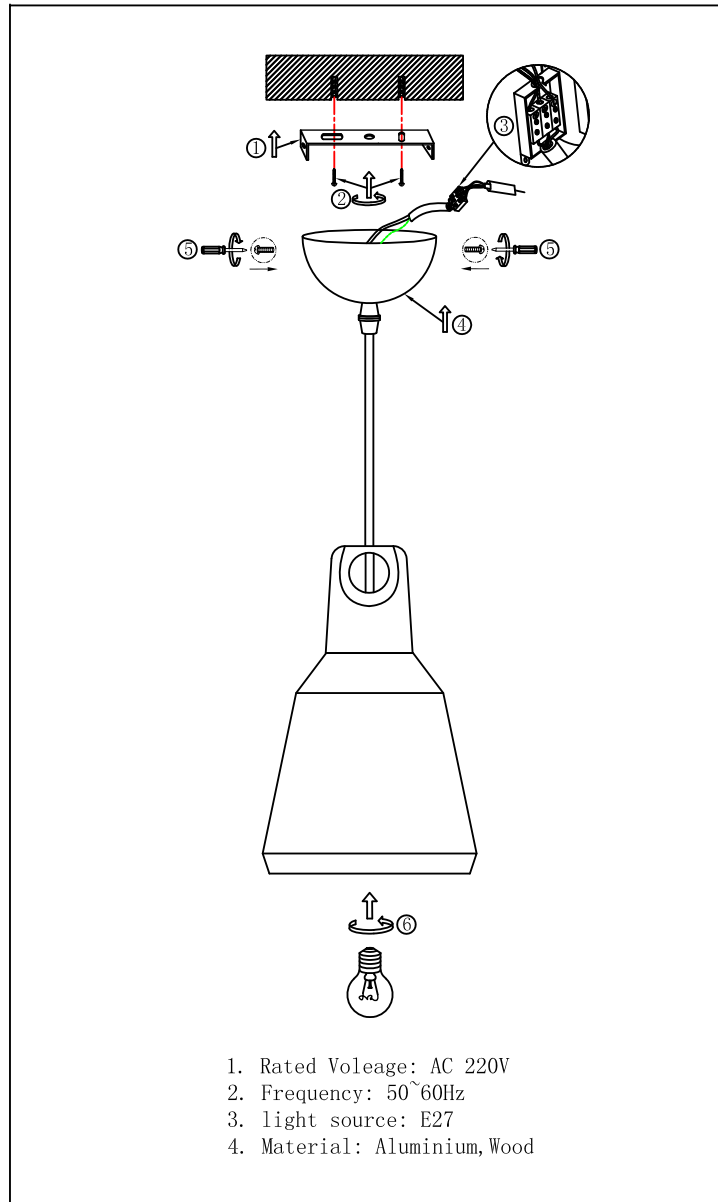
---

## NAO TAKLAMPA

Art. Nr 15500-885



# Assembly instructions | Monteringsanvisning



1. Rated Voltage: AC 220V
2. Frequency: 50~60Hz
3. light source: E27
4. Material: Aluminium, Wood