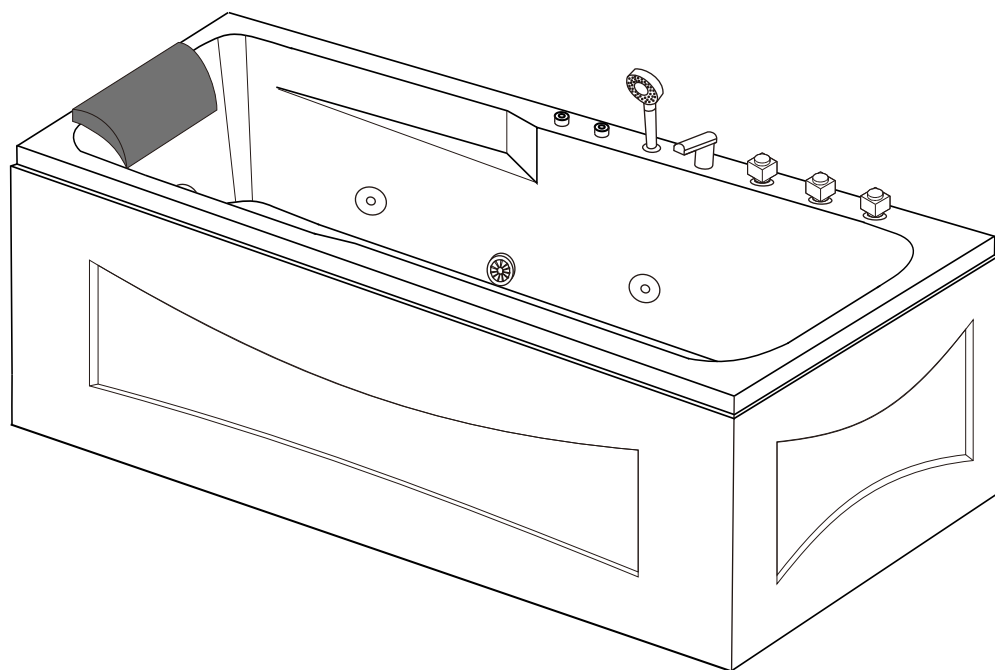


Lyfco®

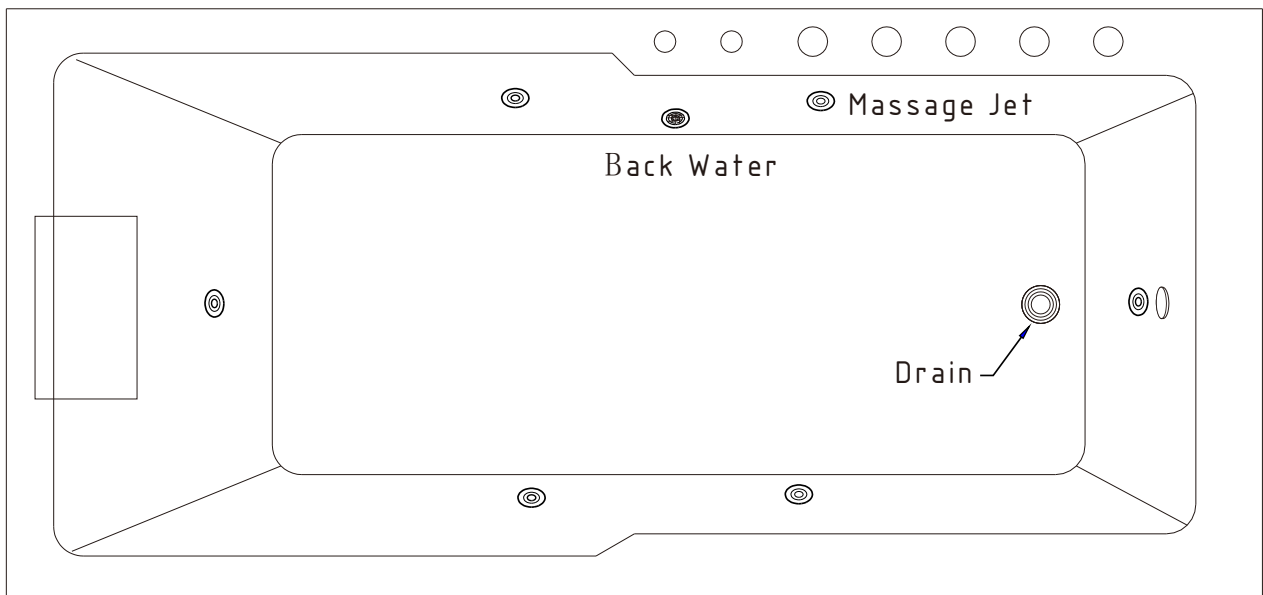
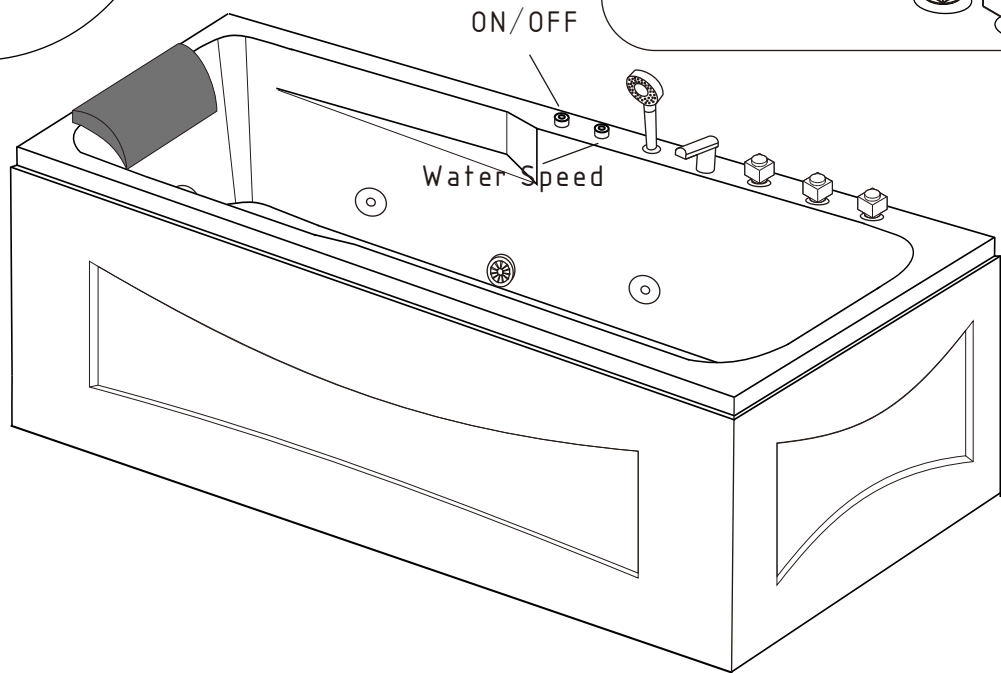
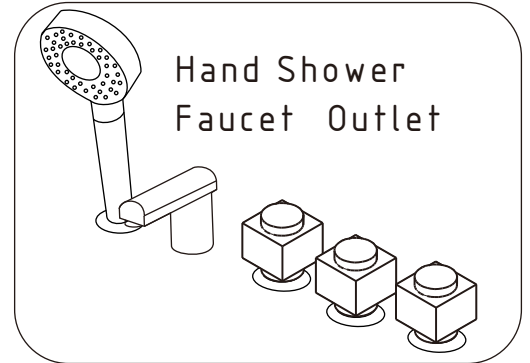
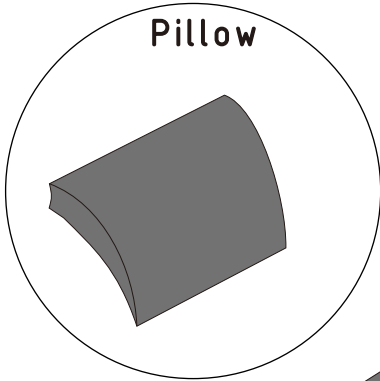
Luxury
massage bathtub



BK-001V BK-001H

800x1700x600 mm

Functional Introduction *Lyfco*[®]

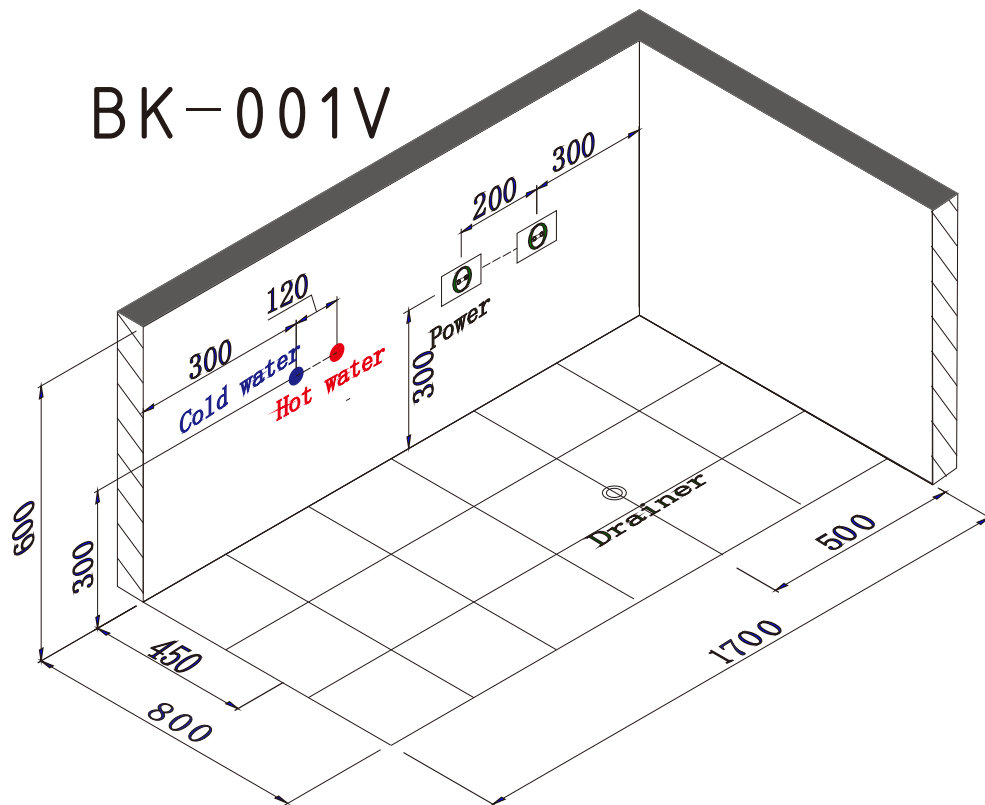


Water & Electricity Position Design

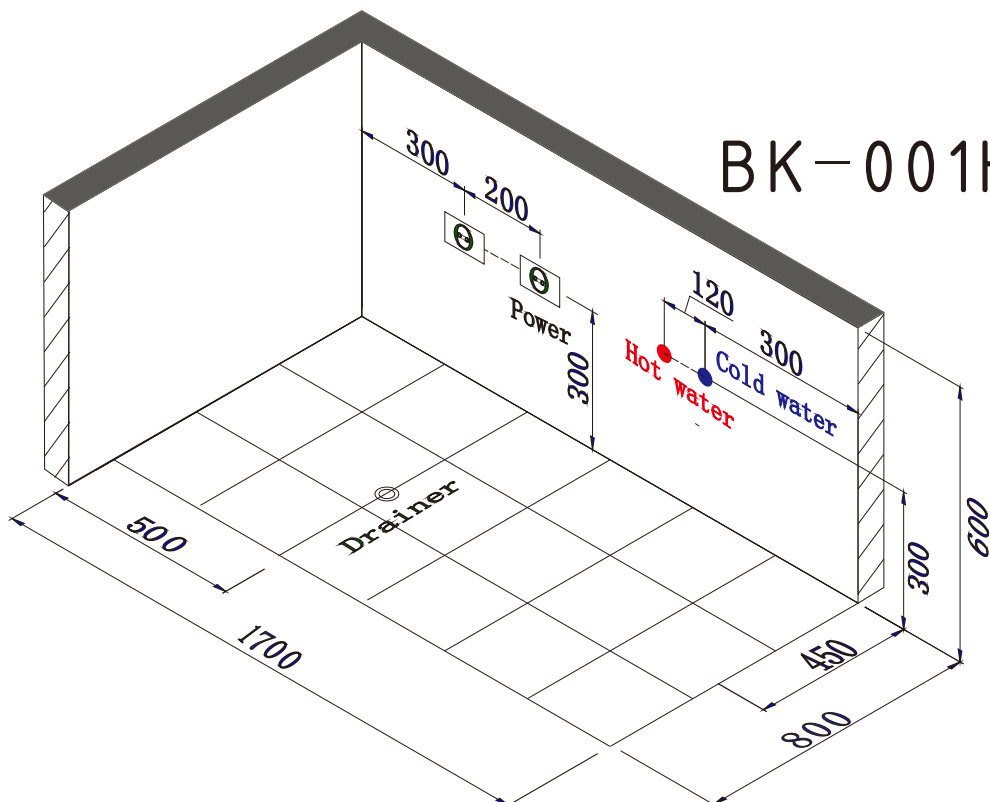
Length unit: mm



BK-001V



BK-001H

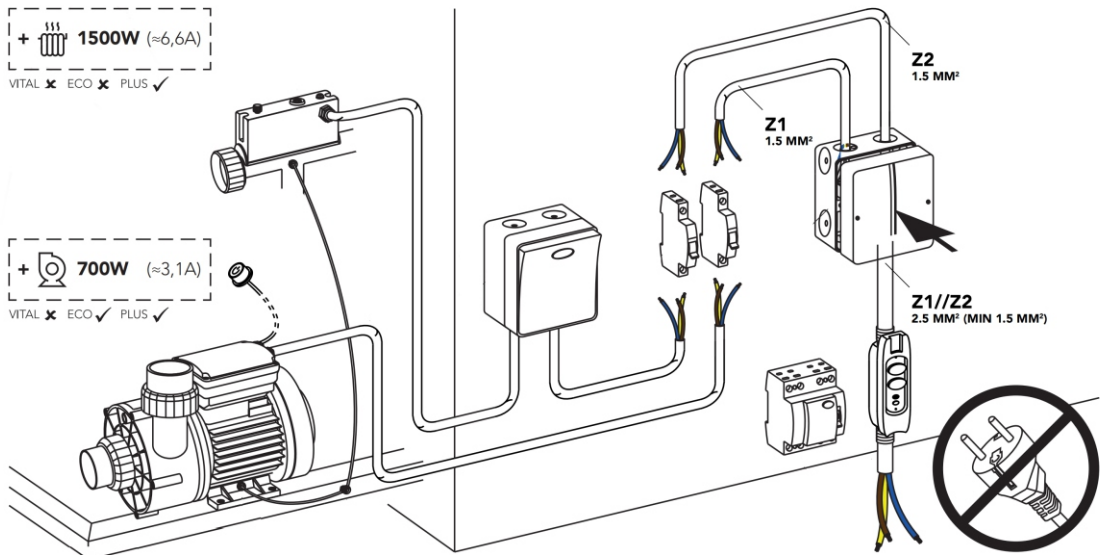


Power Request *Lyfco*[®]

DXD

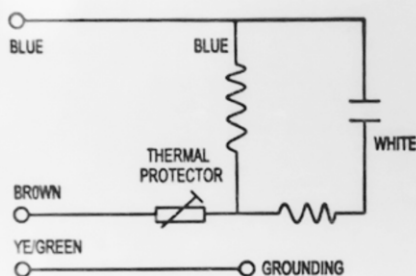
HEATER

MODEL	SDP-1500	A
VOLTAGE	220-240VAC	50/60Hz
POWER	1.5KW	HP 2



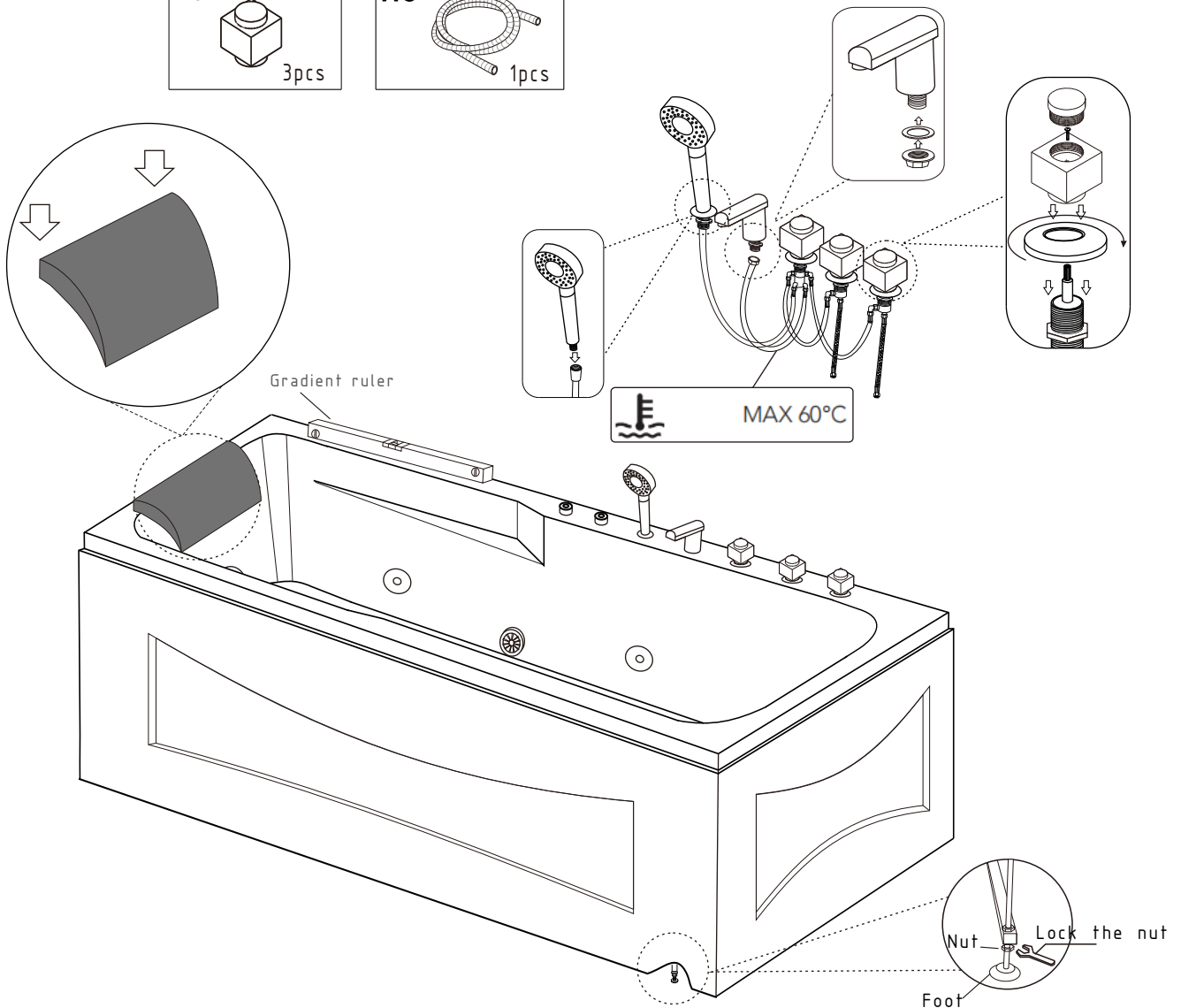
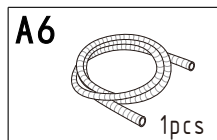
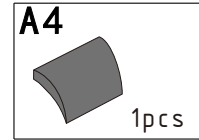
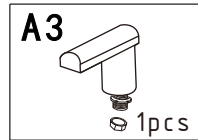
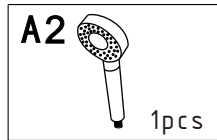
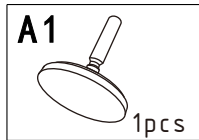
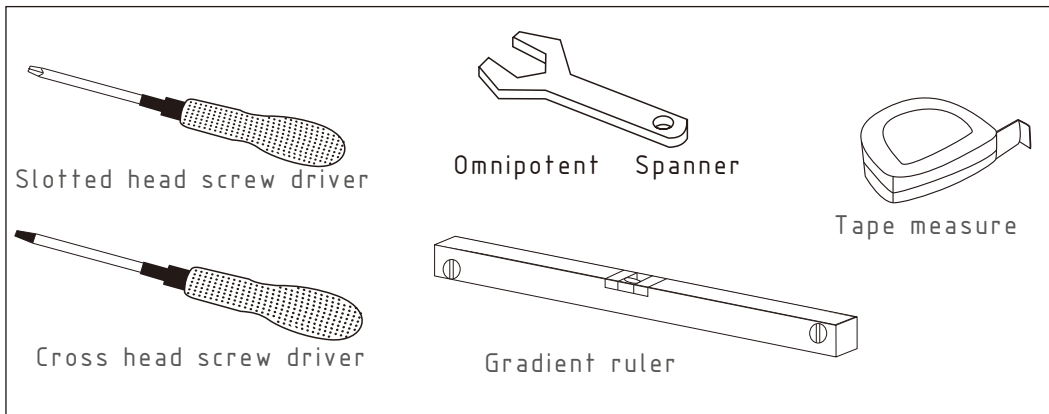
DXD PUMP

MODEL DXD-310 A AC 220-240V 50Hz 700W CLASS B IPX5
 MAX WATER TEMPERATURE 50°C 15µ F/450V Hmin 1m



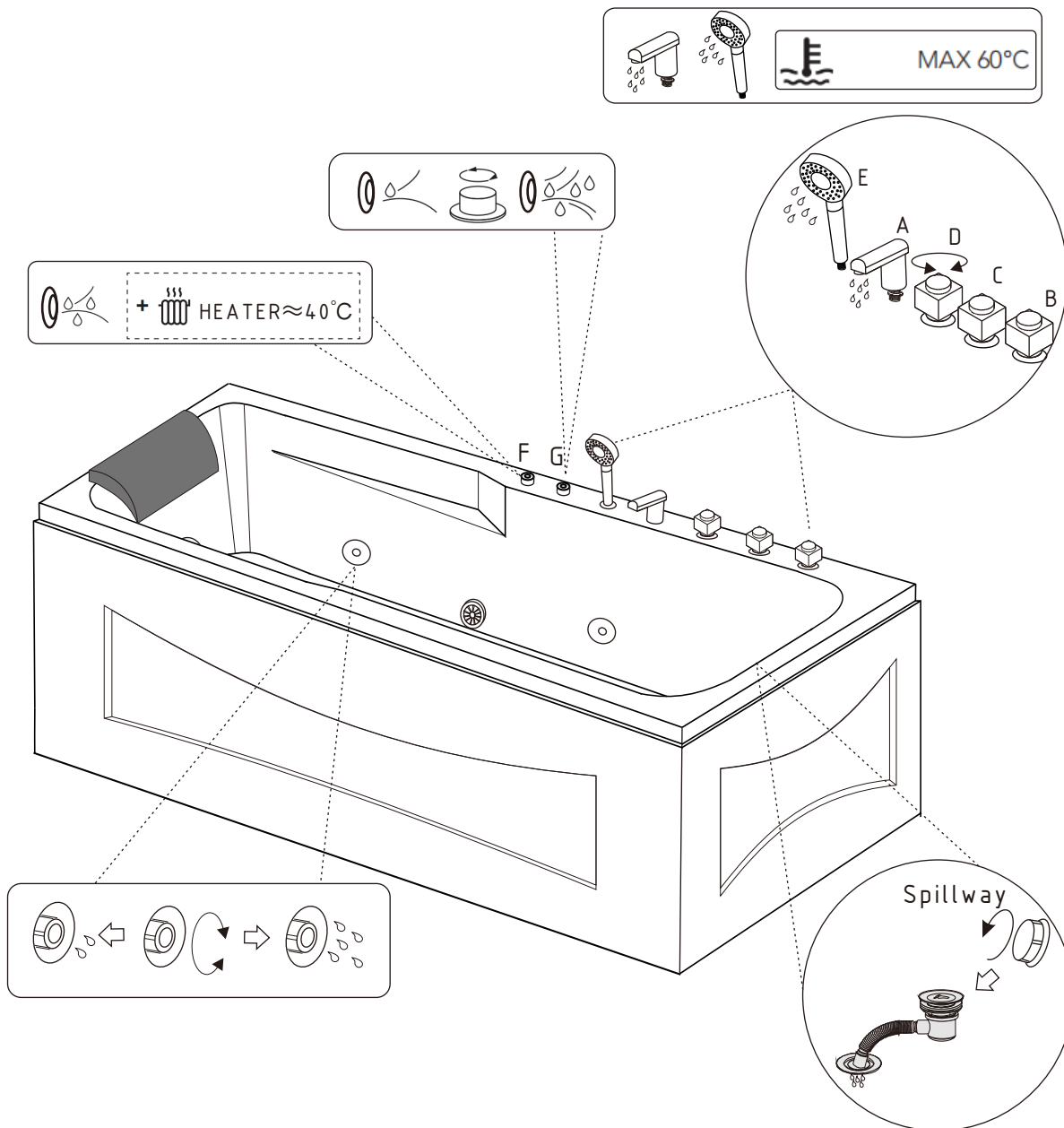
Ground properly!
 Do Not Start Pump
 Without Water!

Accessories Installation



Functional Instructions

Lyfco[®]



Open F, the water pump, heater start.

Open G, the water runs faster.

Open B, cool water.

Open C, hot water.

Open D, water comes from A or E.

Warning: do not open F without water!!