

# MONTERINGSANVISNING

## ASSEMBLY INSTRUCTIONS

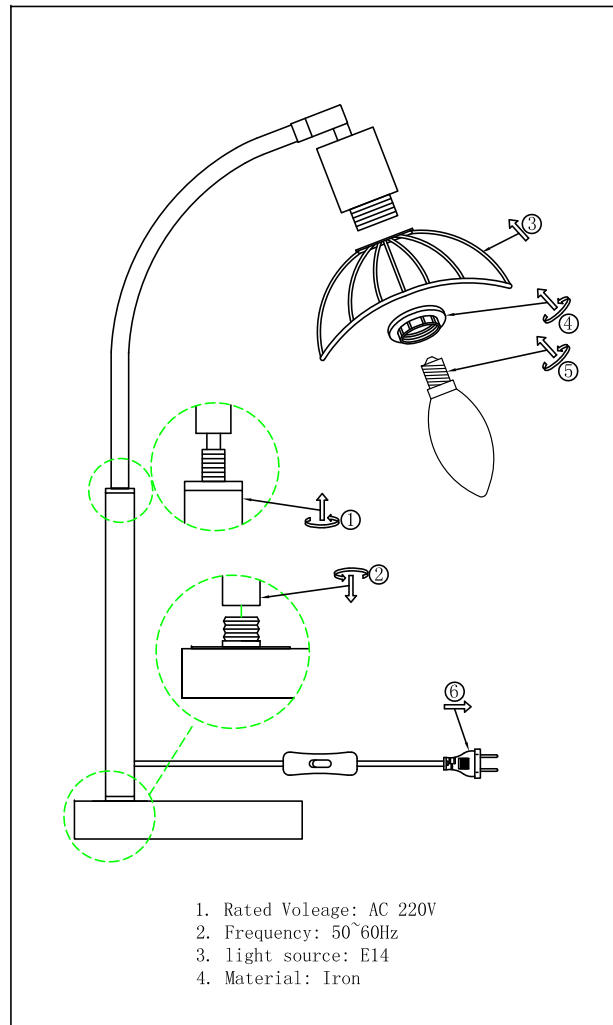
---

### ELSA BORDSLAMPA

Art. Nr 15525-888



# Assembly instructions | Monteringsanvisning



1. Rated Voltage: AC 220V
2. Frequency: 50~60Hz
3. light source: E14
4. Material: Iron