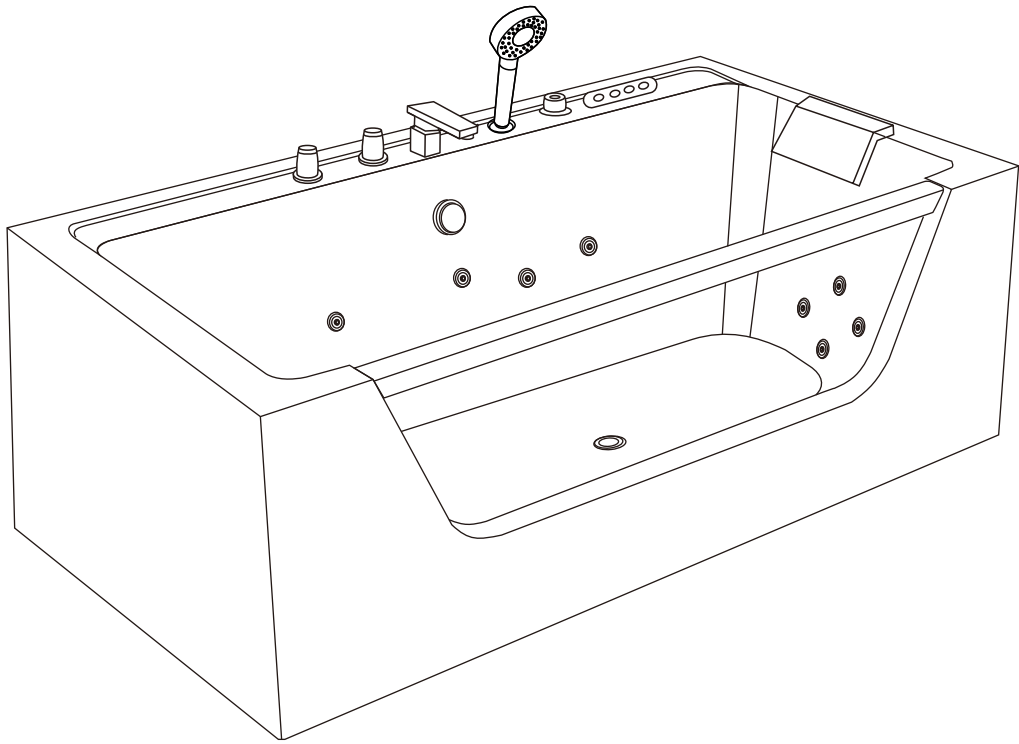


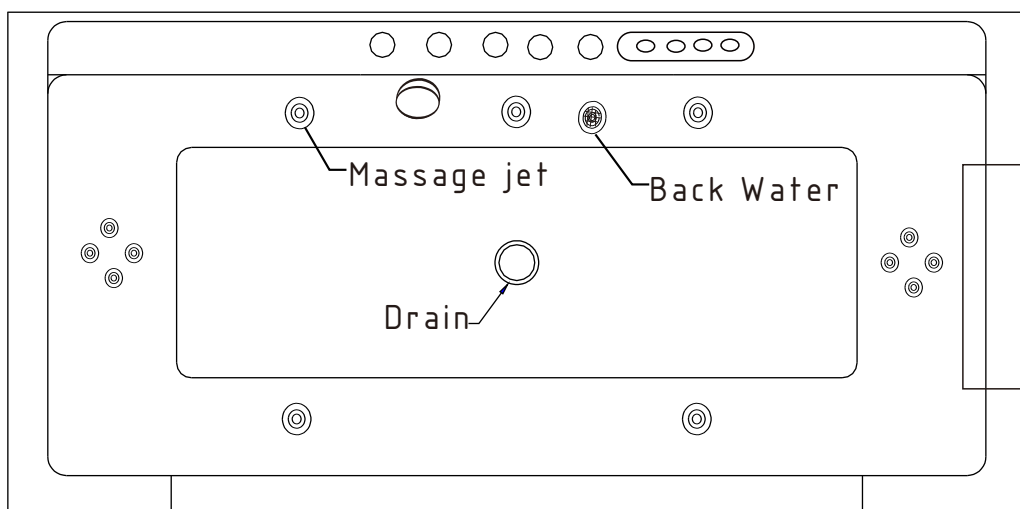
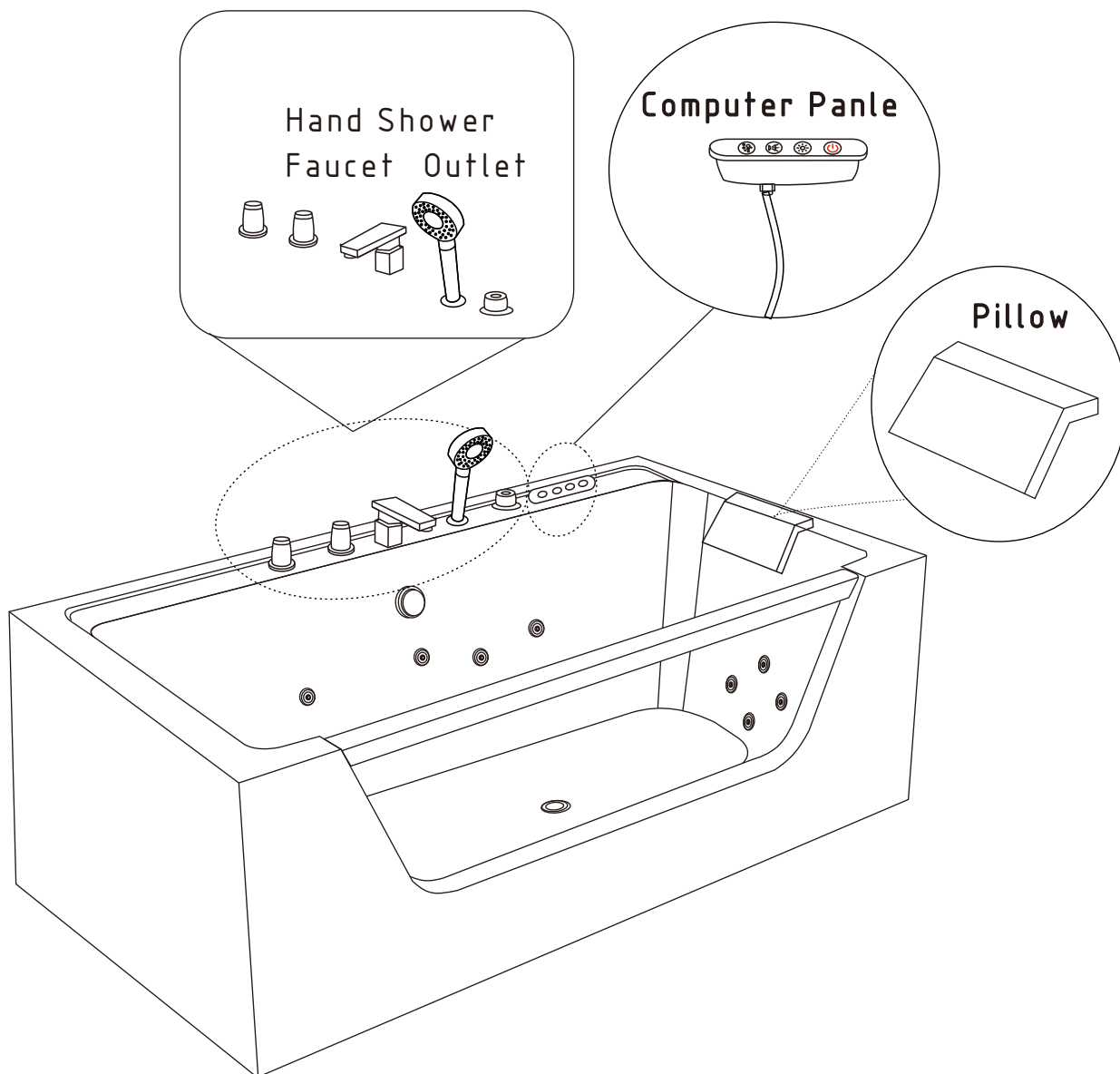
# Lyfco®

Luxury  
massage bathtub



BK-009V  
1800x800x590 mm

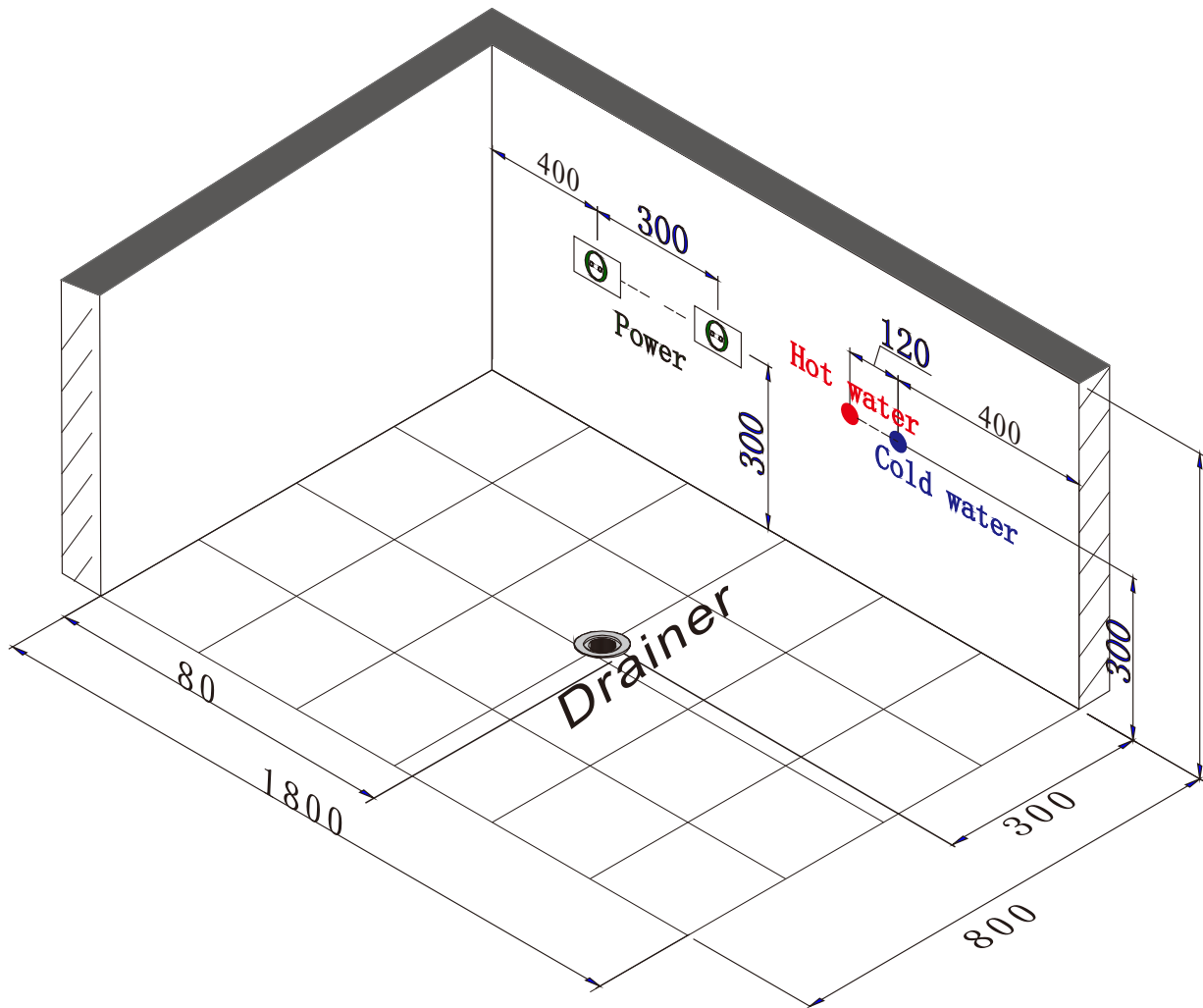
# Functional Introduction *Lyfco*<sup>®</sup>



# Water & Electricity Position Design



Length unit: mm

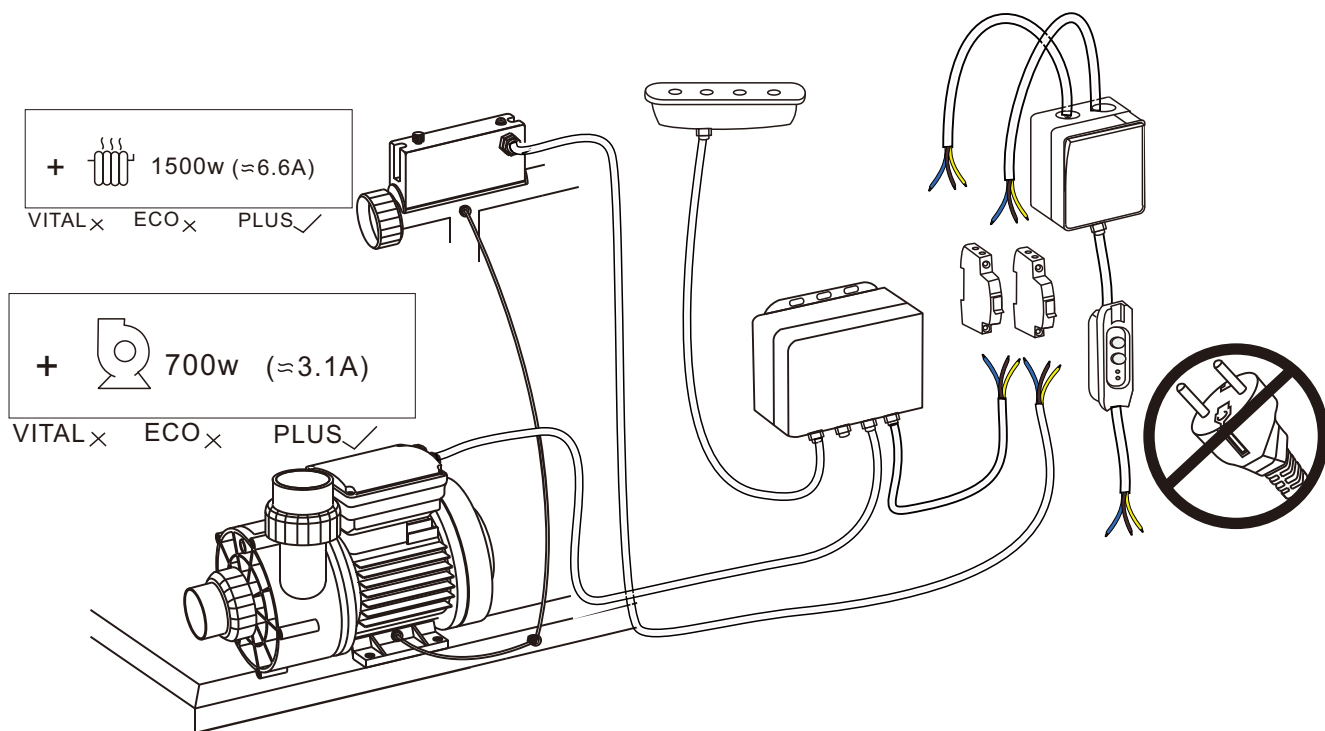


# Power Request



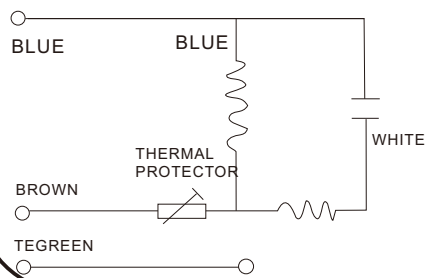
## DXD HEATER

MODEL	SDP-1500 A		
VOLTAGE	220-240VAC	50/60Hz	
POWER	1.5KW	HP	2



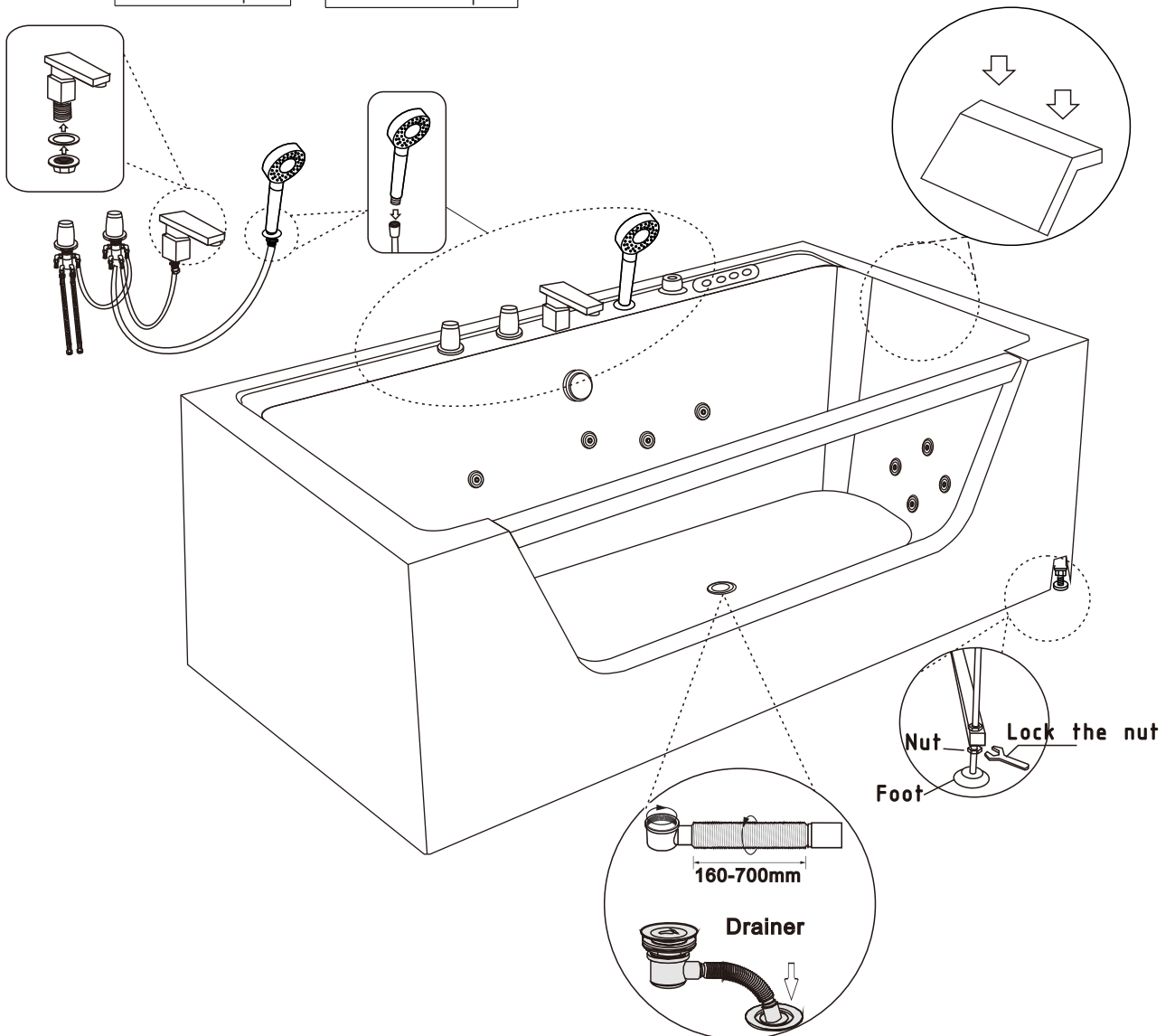
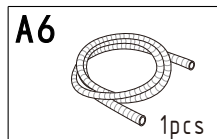
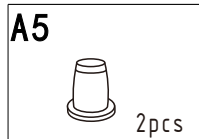
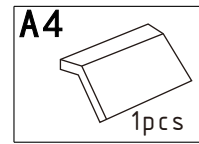
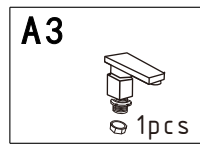
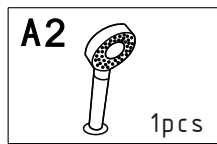
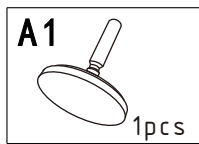
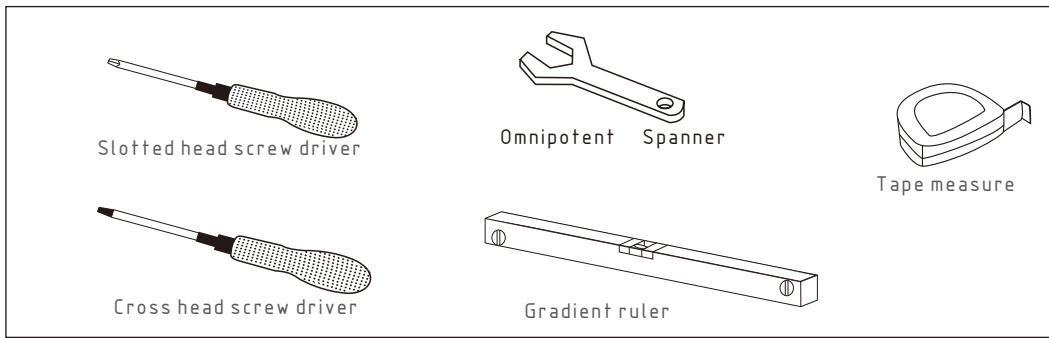
## DXD PUMP

MODEL DXD-310 A AC 220-240V 50Hz 700W CLASS B IPX5  
 MAX WATER TEMPERATURE 50C 15u F/450V Hmin 1m



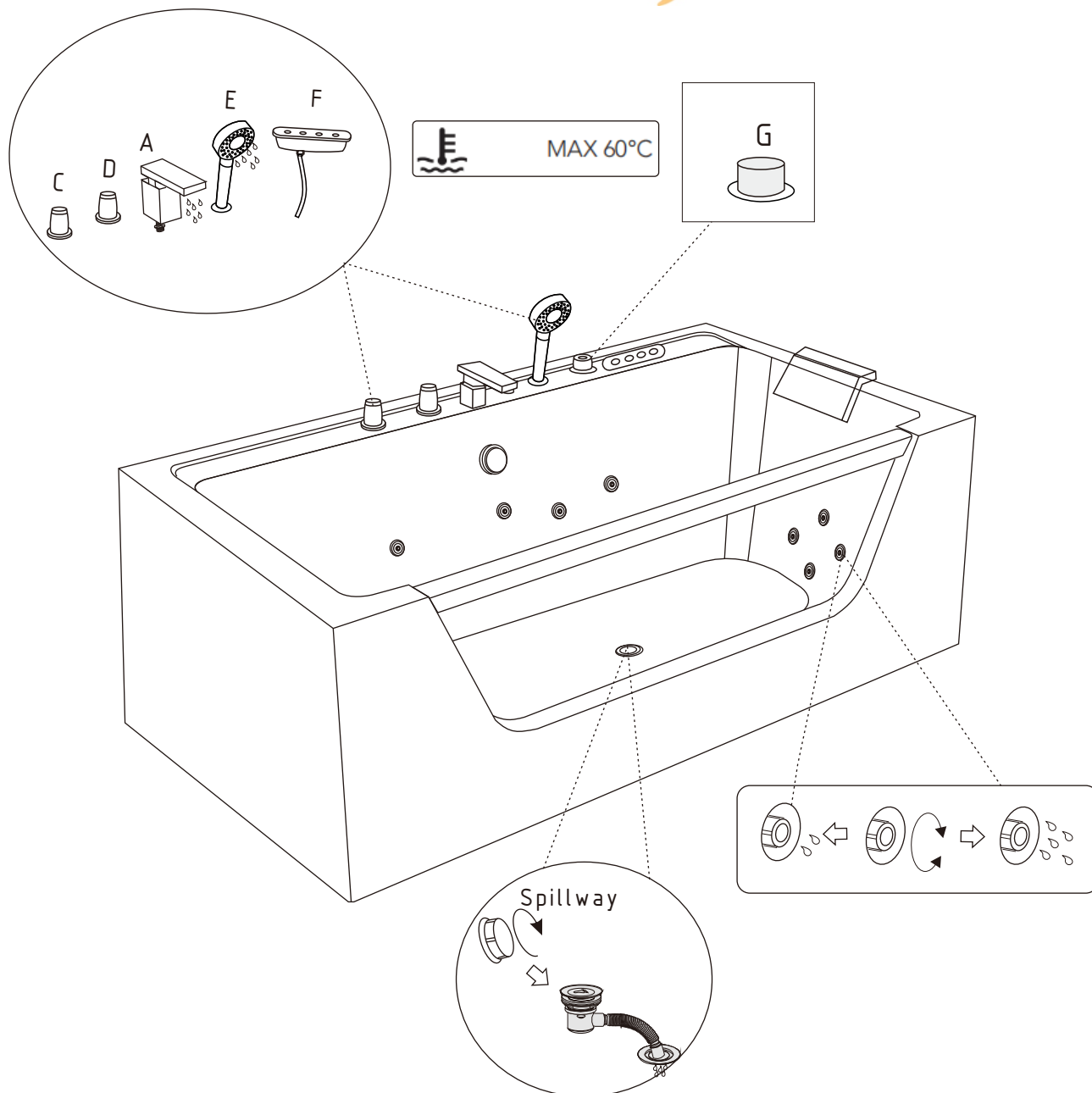
**Mround properly!  
 Do Not Start Pump  
 Without Water!**

# Accessories Installation



# Functional Instructions

*Lyfco*<sup>®</sup>



Turn on , the computer panel start to work

Turn on , the lights on.

Turn on , the water pump, heater startt o work.

This is , air bubble button, This button has no function

Turn round G, the water runs faster.

Turn round C, cool or hot water.

Turn round D, water comes from A or E.

Warning: do not open F without water!!