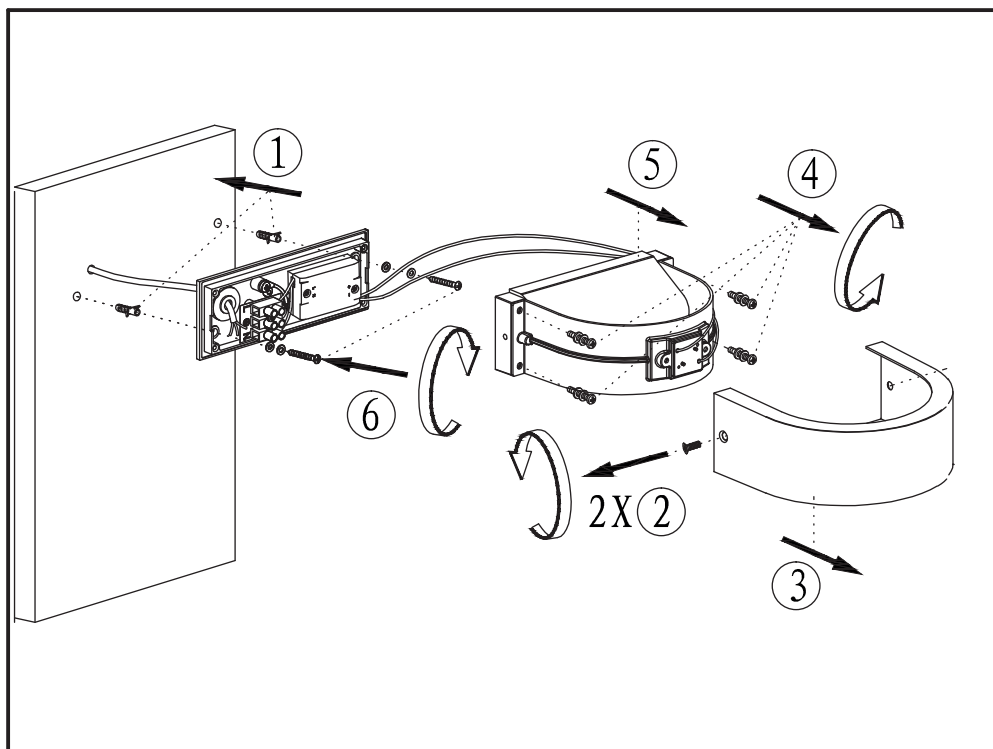




# BORGHOLM 13414



ENERGY LABEL

Y IJA  
IE IA  
енергия · ενεργεια

A<sup>++</sup>  
A<sup>+</sup>  
**A**  
B  
C  
D  
E

4 kWh/1000h

160 lm	4W LED
T = 3000K warm white	
Lifetime 40 000 h	
on/off 20 000	
Ra ≥ 80	

