

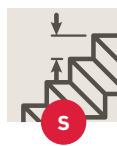
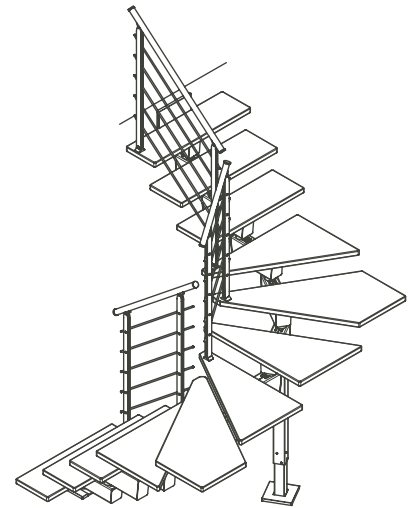
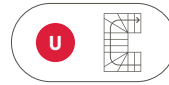
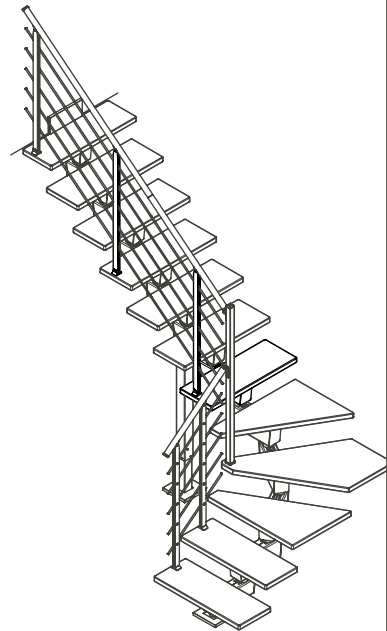
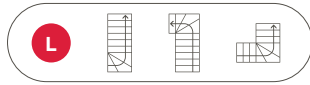
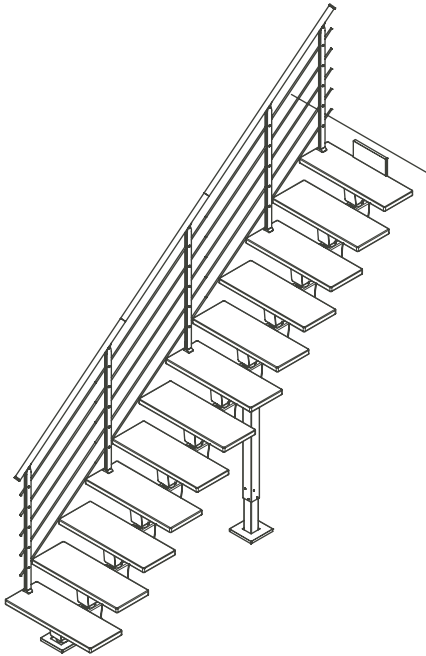
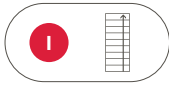
DESIGN BANISTER

DUBAI

**INSTRUCTION / MONTAGEANLEITUNG
INSTRUKTION / INSTRUCCIÓN / INSTRUKCJA**

SOGEM[®]

PART OF DOLLE GROUP



	Height floor-to-floor	Rise height	Going (of tread)	Number of treads
	Geschosshöhe	Steigungshöhe	Auftrittsbreite	Anzahl Stufen
	Hauteur sol-sol	Hauteur de marche	Giron	Nombre de marches
	Altura de suelo/suelo	Altura de peldaños	Huella	Numero de peldaños
	Altura do chão / chão	Altura do degrau	Pegada	Número de etapas (degraus)
	Hoogte vloer/vloer	Hoogte trede	Aantrede	Aantal treden
	Etagehøjde	Stigningshøjde	Grund	Antal trin
	Golv till golv höjd	Stigningshöjd	Grund	Antal steg
	Wysokość kondygnacji od podłogi do podłogi	Wysokość stopnia	Głębokość stopnia	Ilość stopni
	Înălțime sol-sol	Înălțime treaptă	Lățime utilă treaptă	Număr trepte
	Výška patra podlaha-podlaha	Výška schodu	Hĺoubka nášlapu	Počet nášlapů
	Высота от пола до пола	Шаг ступени	Глубина ступени	Кол-во ступеней
	Aukšto aukštis	Pakopos aukštis	Pakopos gylis	Pakopų kiekis
	Stāva augstums	Pakāpiena augstums	Pakāpiena dziļums	Pakāpienu skaits
	Korruse kõrgus	Astme kõrgus	Astme sügavus	Astmete arv
	Višina nadstropja	Višina stopnice	Hodalna globina stopnice	Število stopnic
	Višina kata	Višina stepenice	Dubina stuba	Broj stepenica
	Výška podlažia	Výška stupňa	Hĺbka stupňa	Počet stupňov

1

x 1
K2-1077800 RAL 7016
K2-1077801 RAL 9005
K2-1077802 Pearl grey
K2-1077803 RAL 9016

2

K2-1077805 RAL 7016
K2-1077806 RAL 9005
K2-1077807 Pearl grey
K2-1077808 RAL 9016

└	11	12	13	14	15	16
x	8	9	10	11	12	13

3

x 1
K2-1077810 RAL 7016
K2-1077811 RAL 9005
K2-1077812 Pearl grey
K2-1077813 RAL 9016

4

x 1
K2-1077815 RAL 7016
K2-1077816 RAL 9005
K2-1077817 Pearl grey
K2-1077818 RAL 9016

5

x 1
K2-1077820 RAL 7016
K2-1077821 RAL 9005
K2-1077822 Pearl grey
K2-1077823 RAL 9016

6

└	11	12	13	14	15	16
x	10	11	12	13	14	15

K2-1077825 RAL 7016
K2-1077806 RAL 9005
K2-1077807 Pearl grey
K2-1077808 RAL 9016

7

└	11	12	13	14	15	16
x	10	11	12	13	14	15

K1-1077828

8

x 1
K1-1077850 RAL 7016
K1-1077851 RAL 9005
K1-1077852 Pearl grey
K1-1077853 RAL 9016

12

└	11	12	13	14	15	16
x	10	11	12	13	14	15

K1-1077835 RAL 7016
K1-1077836 RAL 9005
K1-1077837 Pearl grey
K1-1077838 RAL 9016

13

└	11	12	13	14	15	16
x	9	10	11	12	13	14

K1-1077865 RAL 7016
K1-1077866 RAL 9005
K1-1077867 Pearl grey
K1-1077868 RAL 9016

14

x 1
K1-1077830 RAL 7016
K1-1077831 RAL 9005
K1-1077832 Pearl grey
K1-1077833 RAL 9016

9

x 1
K2-1077840 RAL 7016
K2-1077841 RAL 9005
K2-1077842 Pearl grey
K2-1077843 RAL 9016

10

x 1
K2-1077840 RAL 7016
K2-1077841 RAL 9005
K2-1077842 Pearl grey
K2-1077843 RAL 9016

11

x 1
K1-1077845 RAL 7016
K1-1077846 RAL 9005
K1-1077847 Pearl grey
K1-1077848 RAL 9016

15

└	11	12	13	14	15	16
x	10	11	12	13	14	15

K1-1077835 RAL 7016
K1-1077836 RAL 9005
K1-1077837 Pearl grey
K1-1077838 RAL 9016

16

x 1
K1-1077570 RAL 7016
K1-1077571 RAL 9005
K1-1077572 Pearl grey
K1-1077573 RAL 9016

17

x 4
R3-20590

18

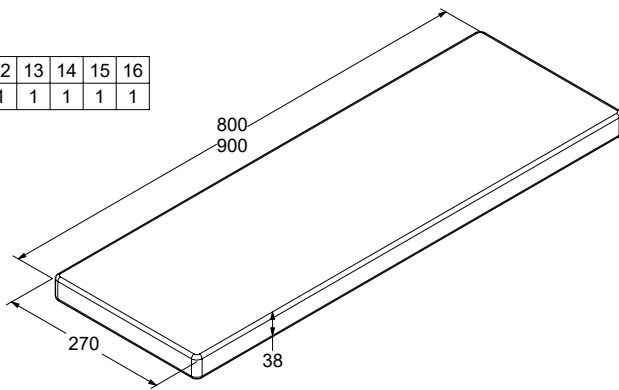
x 1
K1-1077575 RAL 7016
K1-1077576 RAL 9005
K1-1077577 Pearl grey
K1-1077578 RAL 9016

19

x 1
K1-1077855 RAL 7016
K1-1077856 RAL 9005
K1-1077857 Pearl grey
K1-1077858 RAL 9016

20

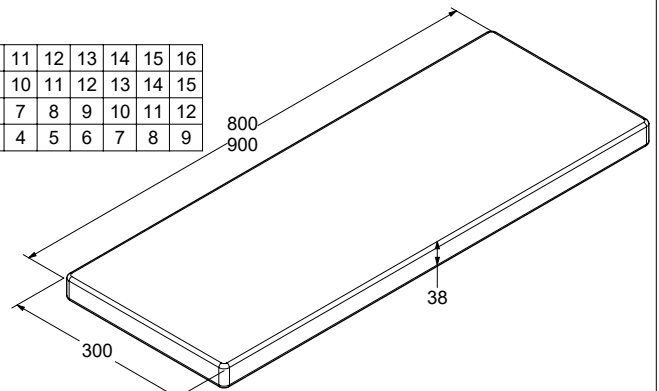
	11	12	13	14	15	16
x	1	1	1	1	1	1



M2-1078500 800 mm Beech / Buche / Beuk / Hêtre / Bøg
 M2-1078510 800 mm Oak / Eiche / Eik / Chêne / Eg
 M2-1078520 800 mm Oak white / Eiche weiss / Eik wit / Chêne blanc / Eg hvid
 M2-1078550 900 mm Beech / Buche / Beuk / Hêtre / Bøg
 M2-1078560 900 mm Oak / Eiche / Eik / Chêne / Eg
 M2-1078570 900 mm Oak white / Eiche weiss / Eik wit / Chêne blanc / Eg hvid

21

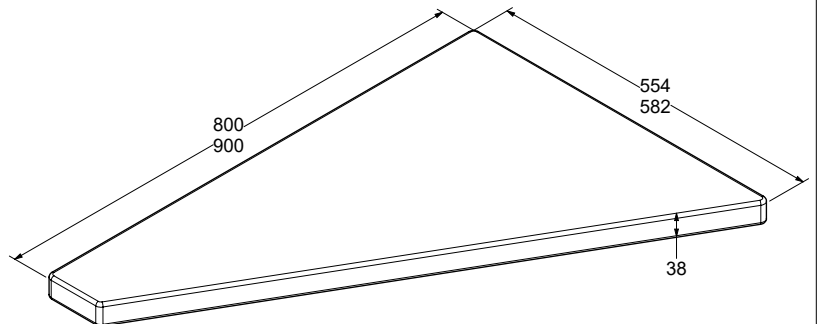
	11	12	13	14	15	16	
x	I	10	11	12	13	14	15
	L	7	8	9	10	11	12
	U	4	5	6	7	8	9



M2-1078501 800 mm Beech / Buche / Beuk / Hêtre / Bøg
 M2-1078511 800 mm Oak / Eiche / Eik / Chêne / Eg
 M2-1078521 800 mm Oak white / Eiche weiss / Eik wit / Chêne blanc / Eg hvid
 M2-1078551 900 mm Beech / Buche / Beuk / Hêtre / Bøg
 M2-1078561 900 mm Oak / Eiche / Eik / Chêne / Eg
 M2-1078571 900 mm Oak white / Eiche weiss / Eik wit / Chêne blanc / Eg hvid

24

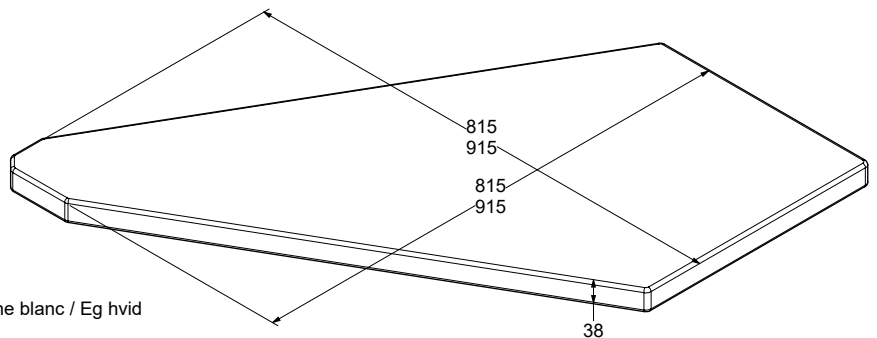
	I	0
x	L	1
	U	2



M2-1078507 800 mm Beech / Buche / Beuk / Hêtre / Bøg
 M2-1078517 800 mm Oak / Eiche / Eik / Chêne / Eg
 M2-1078527 800 mm Oak white / Eiche weiss / Eik wit / Chêne blanc / Eg hvid
 M2-1078557 900 mm Beech / Buche / Beuk / Hêtre / Bøg
 M2-1078567 900 mm Oak / Eiche / Eik / Chêne / Eg
 M2-1078577 900 mm Oak white / Eiche weiss / Eik wit / Chêne blanc / Eg hvid

23

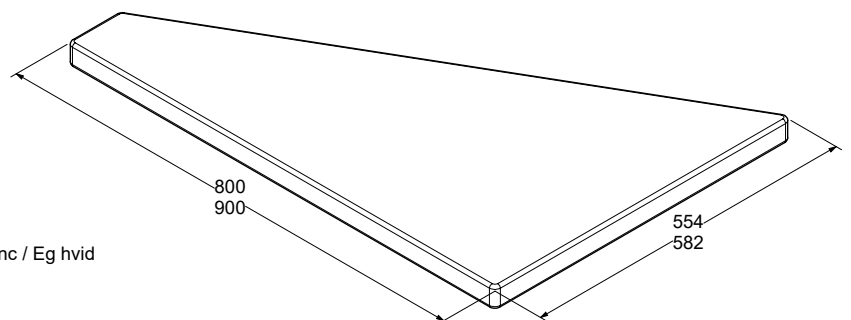
	I	0
x	L	1
	U	2



M2-1078508 800 mm Beech / Buche / Beuk / Hêtre / Bøg
 M2-1078518 800 mm Oak / Eiche / Eik / Chêne / Eg
 M2-1078528 800 mm Oak white / Eiche weiss / Eik wit / Chêne blanc / Eg hvid
 M2-1078558 900 mm Beech / Buche / Beuk / Hêtre / Bøg
 M2-1078568 900 mm Oak / Eiche / Eik / Chêne / Eg
 M2-1078578 900 mm Oak white / Eiche weiss / Eik wit / Chêne blanc / Eg hvid

22

	I	0
x	L	1
	U	2



M2-1078509 800 mm Beech / Buche / Beuk / Hêtre / Bøg
 M2-1078519 800 mm Oak / Eiche / Eik / Chêne / Eg
 M2-1078529 800 mm Oak white / Eiche weiss / Eik wit / Chêne blanc / Eg hvid
 M2-1078559 900 mm Beech / Buche / Beuk / Hêtre / Bøg
 M2-1078569 900 mm Oak / Eiche / Eik / Chêne / Eg
 M2-1078579 900 mm Oak white / Eiche weiss / Eik wit / Chêne blanc / Eg hvid

25

1008

	11	12	13	14	15	16	
x	I	5	5	5	6	6	6
	L	6	7	7	7	8	8
	U	7	7	7	8	8	8

K2-1077710 RAL 7016
K2-1077736 RAL 9005
K2-1077737 Pearl grey
K2-1077738 RAL 9016

26

1255

x	I	0
	L	1
	U	2

K2-1077740 RAL 7016
K2-1077741 RAL 9005
K2-1077742 Pearl grey
K2-1077743 RAL 9016

27

Ø45

	11	12	13	14	15	16	
x	I	5	5	5	6	6	6
	L	6	7	7	7	8	8
	U	7	7	7	8	8	8

K1-1077203

28

	11	12	13	14	15	16	
x	I	5	5	5	6	6	6
	L	6	7	7	7	8	8
	U	7	7	7	8	8	8

K3-02146
M10 x 70

29

x	I	4
	L	4
	U	4

K1-1077295 RAL 7016
K1-1077296 RAL 9005
K1-1077297 Pearl grey
K1-1077298 RAL 9016

30

Ø40,8

x	I	2
	L	4
	U	6

K1-1077720

31

Ø40,8

x	I	0
	L	1
	U	0

K2-1077745 RAL 7016
K2-1077746 RAL 9005
K2-1077747 Pearl grey
K2-1077748 RAL 9016

32

Ø40,8

x	I	0
	L	1
	U	0

K2-1077755 RAL 7016
K2-1077756 RAL 9005
K2-1077757 Pearl grey
K2-1077758 RAL 9016

33

Ø40,8

x	I	10
	L	20
	U	30

K1-18099

34

50

	11	12	13	14	15	16	
x	I	15	15	15	20	20	20
	L	15	15	15	15	15	20
	U	15	15	15	15	15	15

K3-08023

35

Ø7,8

x	I	0
	L	15
	U	0

K1-1077770 RAL 7016
K1-1077771 RAL 9005
K1-1077772 Pearl grey
K1-1077773 RAL 9016

36

Ø6,5

37

Ø10 1500

	11	12	13	14	15	16	
x	I	15	15	15	20	20	20
	L	15	15	15	15	15	20
	U	15	15	15	15	15	15

K1-18049

38

Ø40 1500

	11	12	13	14	15	16	
x	I	3	3	3	4	4	4
	L	3	3	3	3	3	4
	U	3	3	3	3	3	3

M2-1078905 1500 mm Beech / Buche / Beuk / Hêtre / Bøg
M2-1078906 1500 mm Beech / Buche / Beuk / Hêtre / Bøg
M2-1078915 1500 mm Oak / Eiche / Eik / Chêne / Eg
M2-1078916 1500 mm Oak / Eiche / Eik / Chêne / Eg
M2-1078917 1500 mm Oak white / Eiche weiss / Eik wit / Chêne blanc / Eg hvid

39

Ø8

x 1
K1-01810

40

Wood glue
Holzkleber
Colle à bois
Trælim
Houtlijm

x 1
K3-90005

41

Ø8 x 40

x 8
R3-91415
Ø8 x 40

42

Ø40

x 1
K1-01620

43




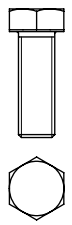

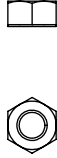







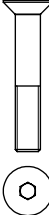

Strong glue
Superkleber
Seconde lijm
Colle forte
Superlijm

x 1
K3-90001

44

60°

x 1
K1-1077879

<p>50</p>  <p>x 23 K3-08001 Ø12 x 60</p>	<p>51</p>  <p>x 24 K3-04001 Ø10</p>	<p>52</p>  <p>x 23 K3-06003 Ø10 x 60</p>	<p>53</p>  <table border="1" data-bbox="1157 190 1396 246"> <tr><td>11</td><td>12</td><td>13</td><td>14</td><td>15</td><td>16</td></tr> <tr><td>x</td><td>41</td><td>45</td><td>49</td><td>51</td><td>57</td><td>61</td></tr> </table> <p>K3-02515 M10 x 35</p>	11	12	13	14	15	16	x	41	45	49	51	57	61																																	
11	12	13	14	15	16																																												
x	41	45	49	51	57	61																																											
<p>54</p>  <table border="1" data-bbox="71 414 311 470"> <tr><td>11</td><td>12</td><td>13</td><td>14</td><td>15</td><td>16</td></tr> <tr><td>x</td><td>66</td><td>72</td><td>78</td><td>84</td><td>90</td><td>96</td></tr> </table> <p>K3-02518 M8 x 10</p>	11	12	13	14	15	16	x	66	72	78	84	90	96	<p>55</p>  <p>x 1 K3-03049 M8 x 10</p>	<p>56</p>  <p>x 8 K3-05003 M8 x 16</p>	<p>57</p>  <table border="1" data-bbox="1157 392 1260 470"> <tr><td>I</td><td>4</td></tr> <tr><td>x L</td><td>6</td></tr> <tr><td>U</td><td>8</td></tr> </table> <p>K3-06022 Ø5 x 35 TX25</p>	I	4	x L	6	U	8																											
11	12	13	14	15	16																																												
x	66	72	78	84	90	96																																											
I	4																																																
x L	6																																																
U	8																																																
<p>58</p>  <p>x 12 R1-63267 Ø6 x 35 TX30</p>	<p>59</p>  <table border="1" data-bbox="438 649 710 705"> <tr><td>11</td><td>12</td><td>13</td><td>14</td><td>15</td><td>16</td></tr> <tr><td>x</td><td>110</td><td>120</td><td>130</td><td>140</td><td>150</td><td>160</td></tr> </table> <p>K3-06130 Ø6 x 30 TX30</p>	11	12	13	14	15	16	x	110	120	130	140	150	160	<p>65</p>  <table border="1" data-bbox="798 593 1061 705"> <tr><td>11</td><td>12</td><td>13</td><td>14</td><td>15</td><td>16</td></tr> <tr><td>x I</td><td>5</td><td>5</td><td>5</td><td>6</td><td>6</td><td>6</td></tr> <tr><td>L</td><td>5</td><td>6</td><td>6</td><td>6</td><td>7</td><td>7</td></tr> <tr><td>U</td><td>7</td><td>7</td><td>7</td><td>8</td><td>8</td><td>8</td></tr> </table> <p>K3-06239 Ø4,5 x 25</p>	11	12	13	14	15	16	x I	5	5	5	6	6	6	L	5	6	6	6	7	7	U	7	7	7	8	8	8	<p>67</p>  <table border="1" data-bbox="1220 537 1324 616"> <tr><td>I</td><td>0</td></tr> <tr><td>x L</td><td>4</td></tr> <tr><td>U</td><td>0</td></tr> </table> <p>K3-02270 FZB/BZP K3-10410 RAL 7016 K3-10360 RAL 9005 Ø5 x 25</p>	I	0	x L	4	U	0
11	12	13	14	15	16																																												
x	110	120	130	140	150	160																																											
11	12	13	14	15	16																																												
x I	5	5	5	6	6	6																																											
L	5	6	6	6	7	7																																											
U	7	7	7	8	8	8																																											
I	0																																																
x L	4																																																
U	0																																																
<p>68</p>  <p>x 4 K3-06080</p>	<p>69</p>  <table border="1" data-bbox="438 851 534 929"> <tr><td>I</td><td>0</td></tr> <tr><td>x L</td><td>1</td></tr> <tr><td>U</td><td>0</td></tr> </table> <p>K3-02139 M10 x 60</p>	I	0	x L	1	U	0	<p>70</p>  <table border="1" data-bbox="861 761 965 840"> <tr><td>I</td><td>0</td></tr> <tr><td>x L</td><td>4</td></tr> <tr><td>U</td><td>0</td></tr> </table> <p>K3-04025 FZB/BZP K3-10415 RAL 7016 K3-10416 RAL 9005 Ø5,3</p>	I	0	x L	4	U	0																																			
I	0																																																
x L	1																																																
U	0																																																
I	0																																																
x L	4																																																
U	0																																																



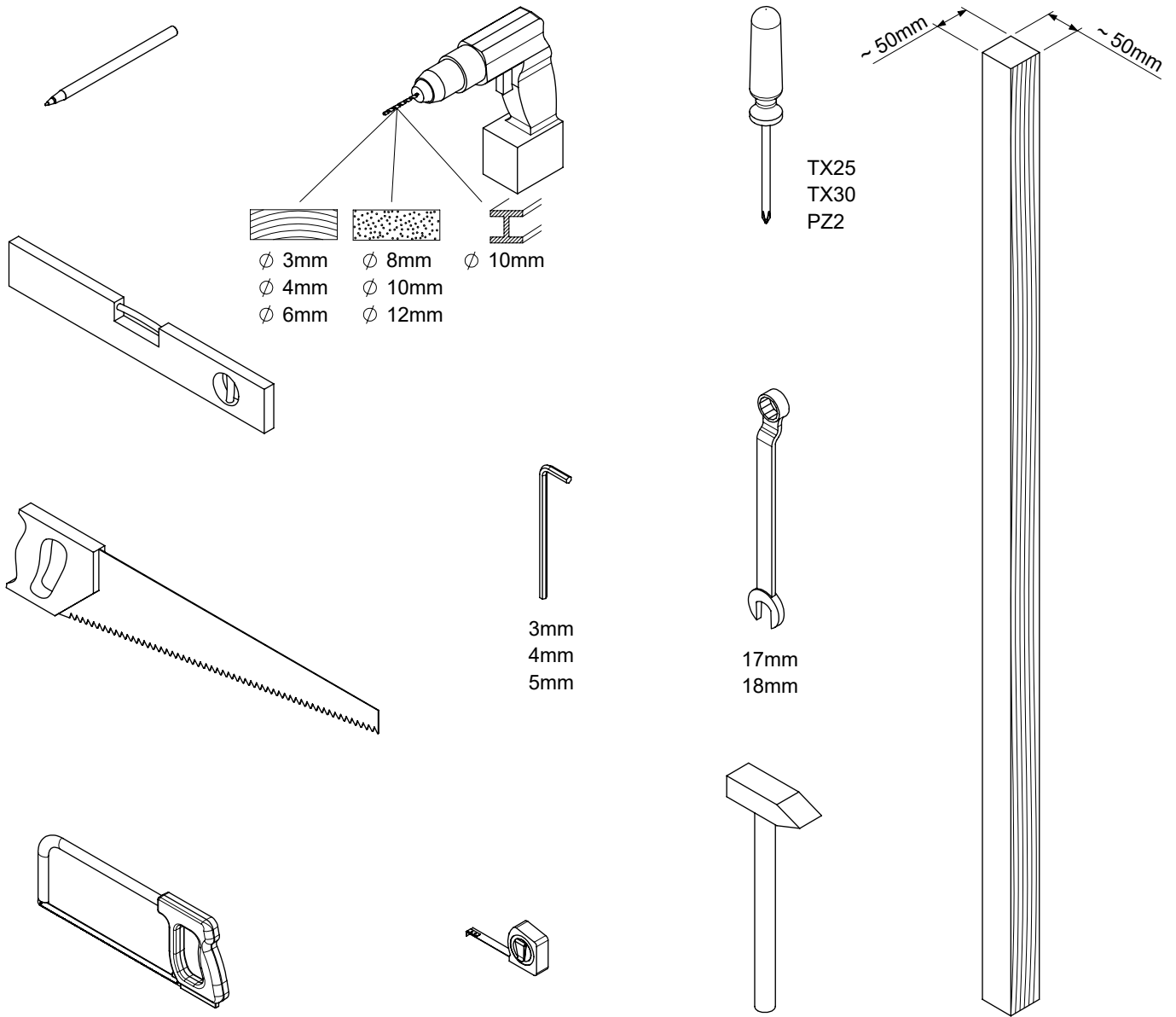
Tools not included!

Werkzeuge nicht enthalten!

Gereedschap niet inbegrepen!

Outils non inclus!

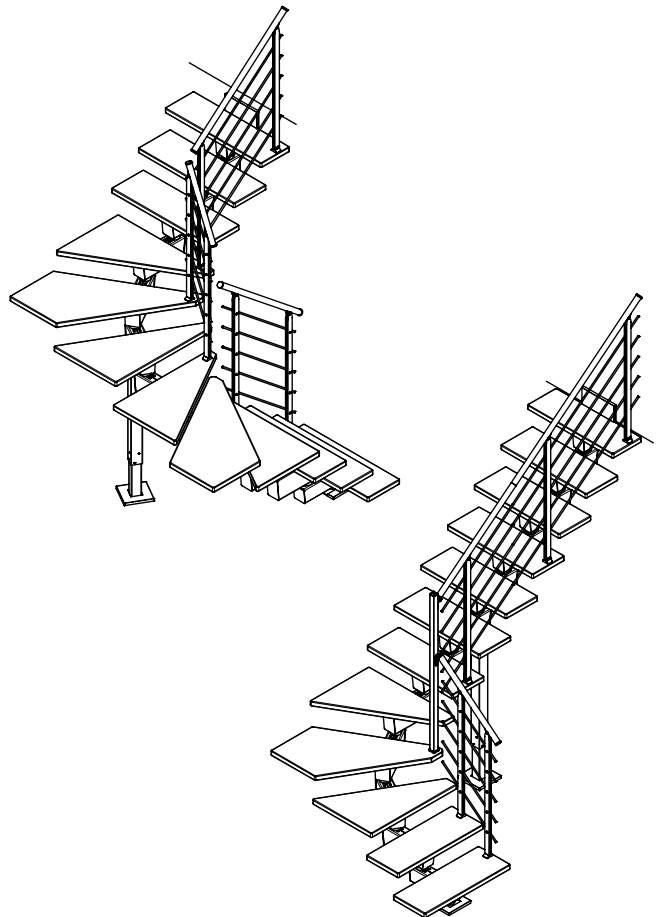
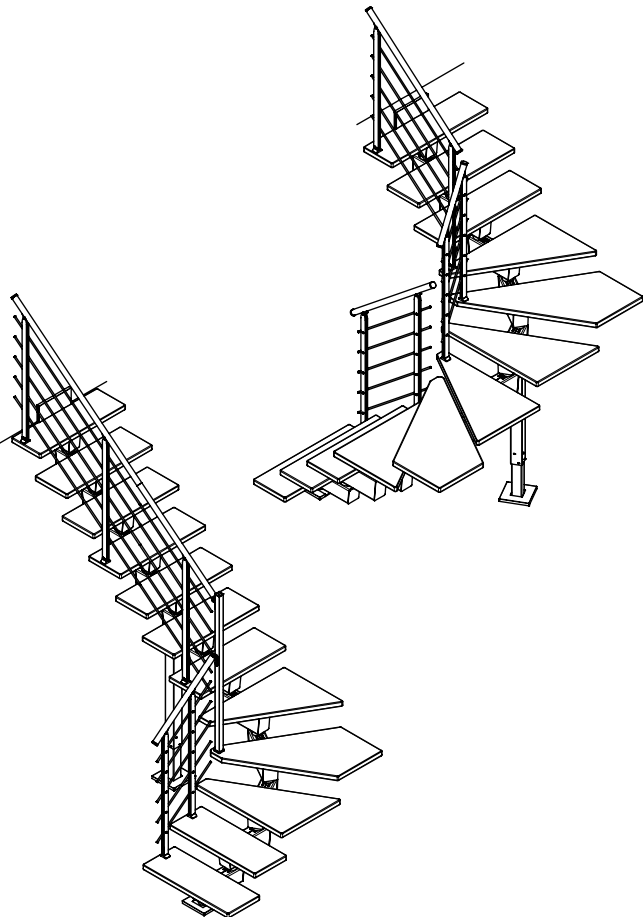
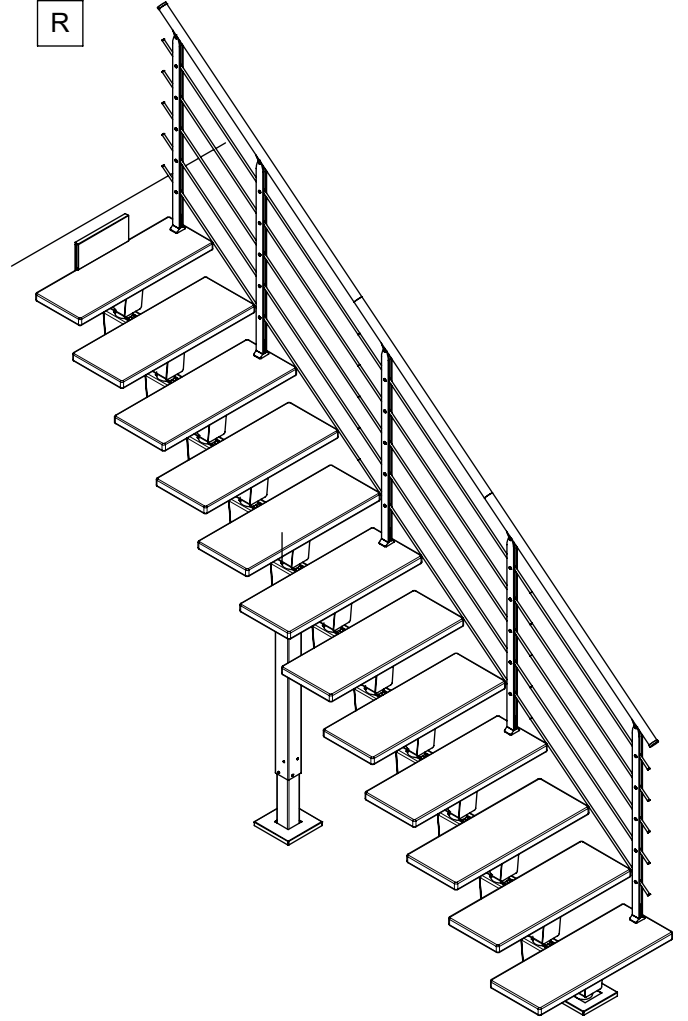
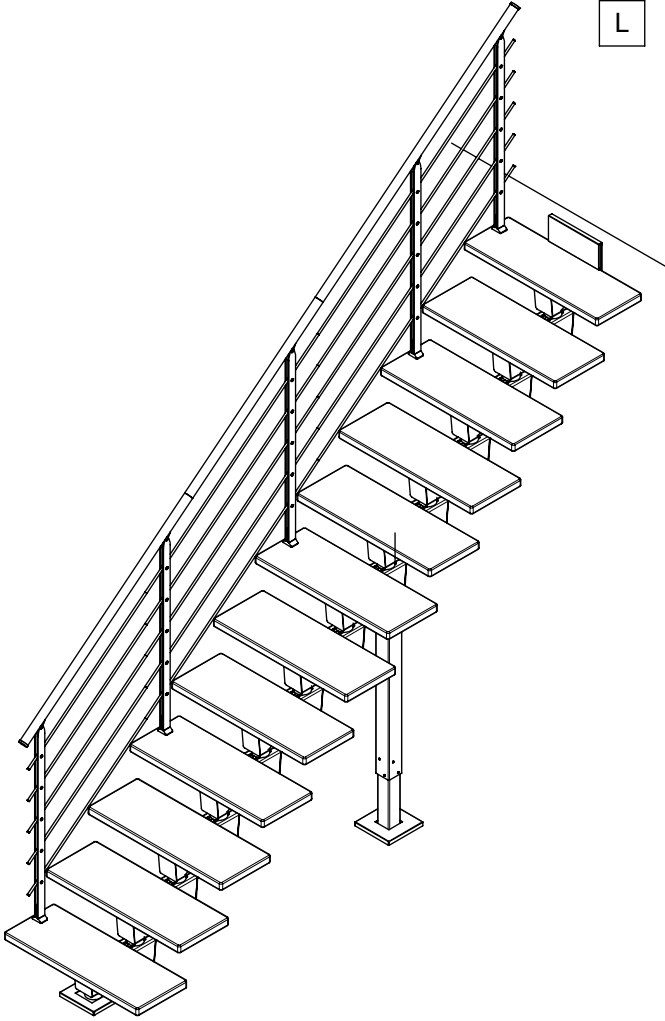
Værktøj ikke inkluderet!

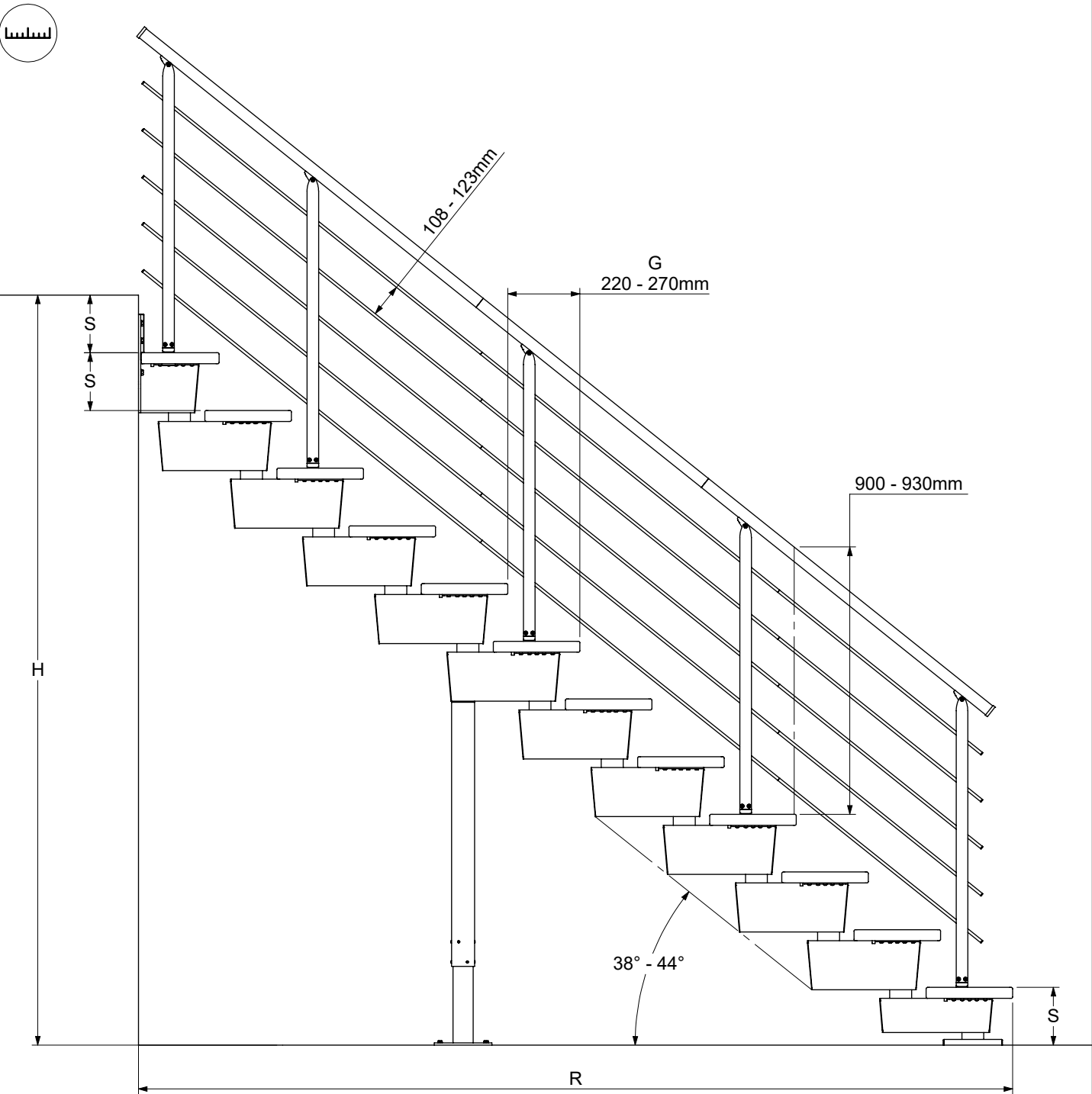




L

R





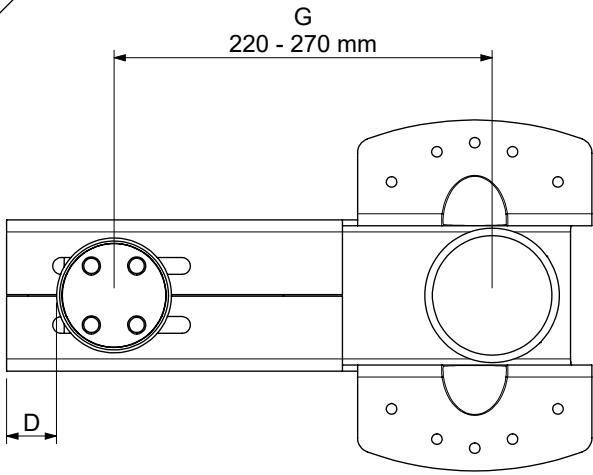
$$S = \frac{H}{T + 1}$$

min S	max S	min G	max G
170 mm	210 mm	220 mm	270 mm

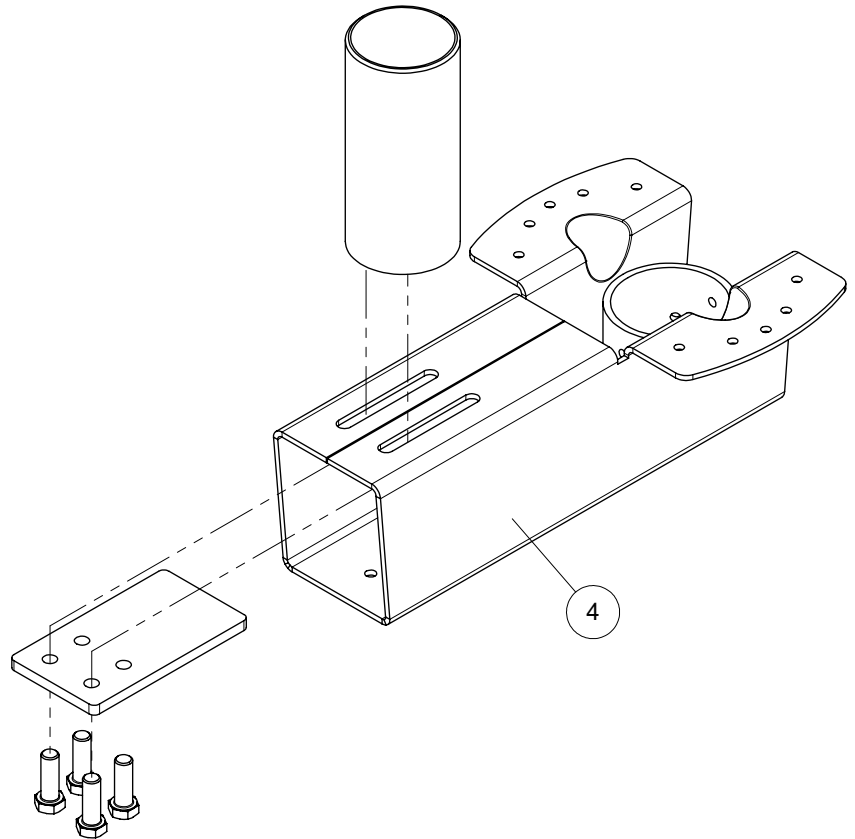
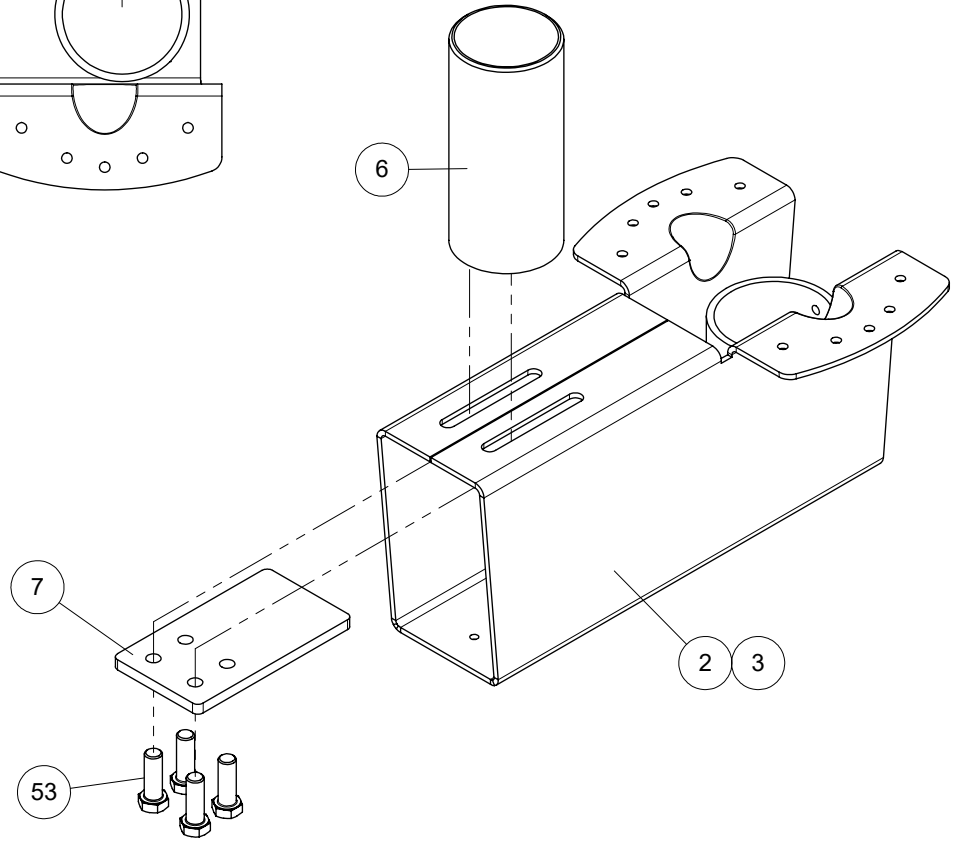
T	min H	max H	min R	max R
9	1700 mm	2100 mm	2170 mm	2460 mm
10	1870 mm	2310 mm	2390 mm	2730 mm
11	2040 mm	2520 mm	2610 mm	3000 mm
12	2210 mm	2730 mm	2830 mm	3270 mm
13	2380 mm	2940 mm	3050 mm	3540 mm
14	2550 mm	3150 mm	3270 mm	3810 mm
15	2720 mm	3360 mm	3490 mm	4080 mm
16	2890 mm	3570 mm	3710 mm	4350 mm

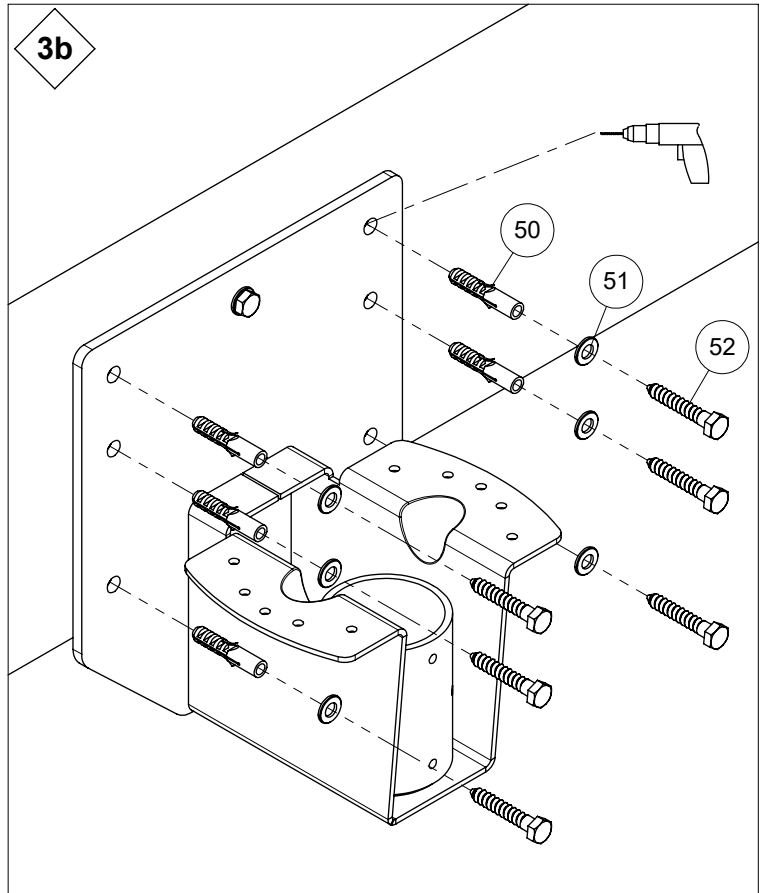
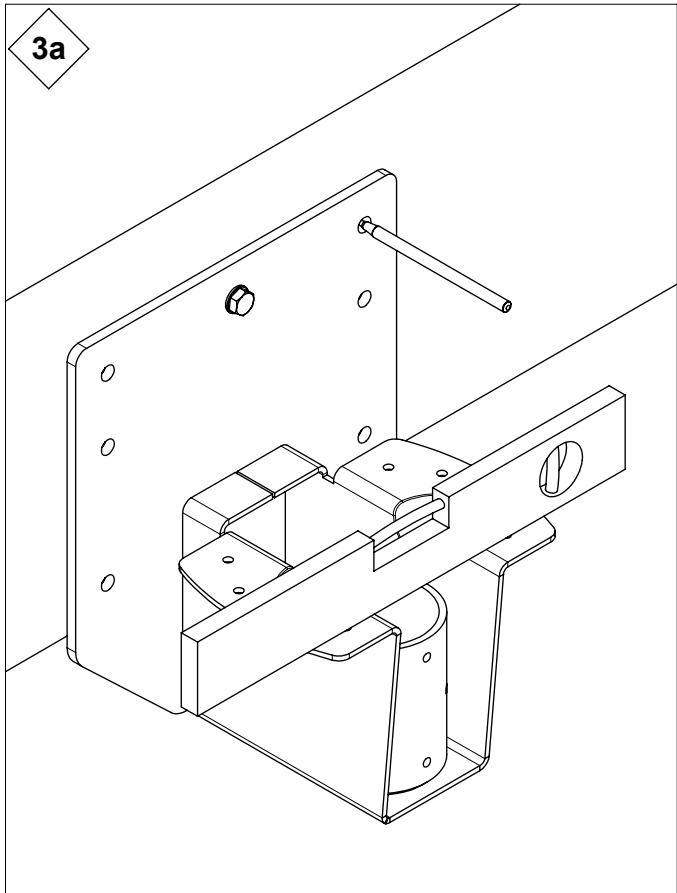
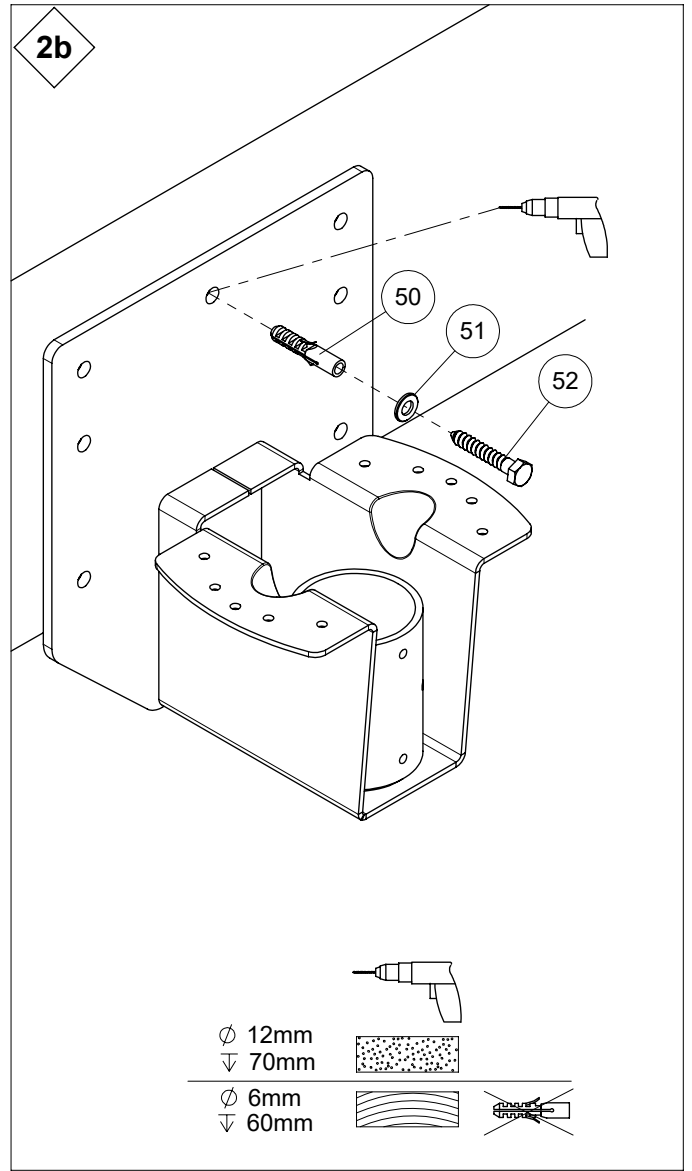
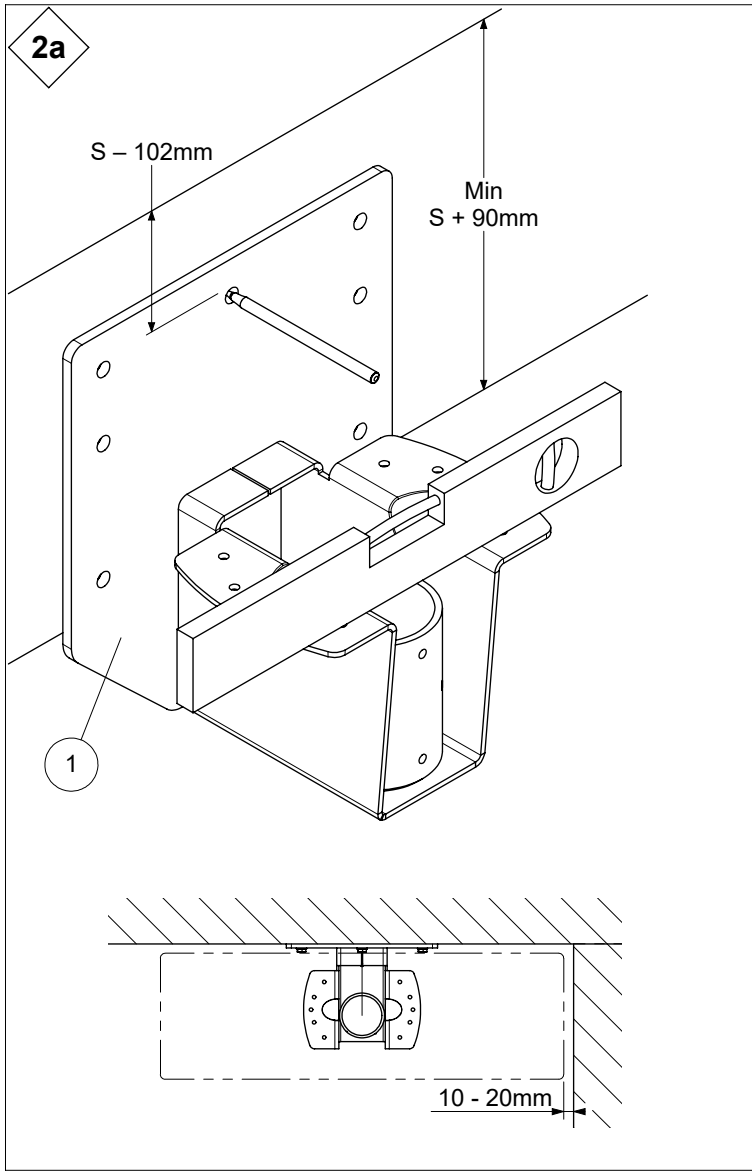
Example / Beispiel / Voorbeeld / Example / Eksempel:
 H: 2600 mm, T: 12 st(pcs)
 $S = \frac{2600 \text{ mm}}{12 + 1} = 200 \text{ mm}$ 👍

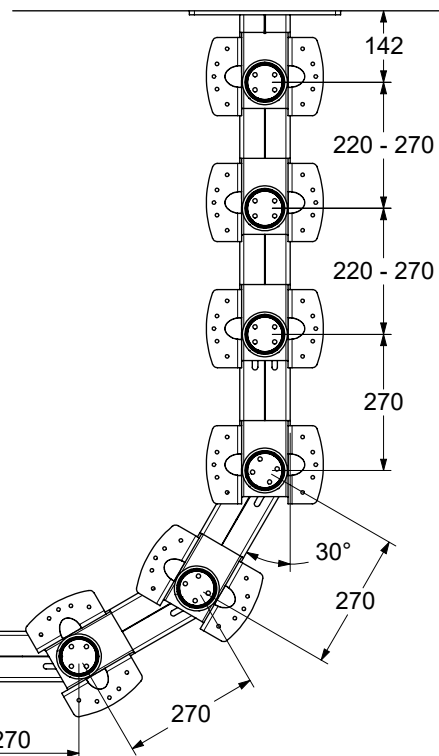
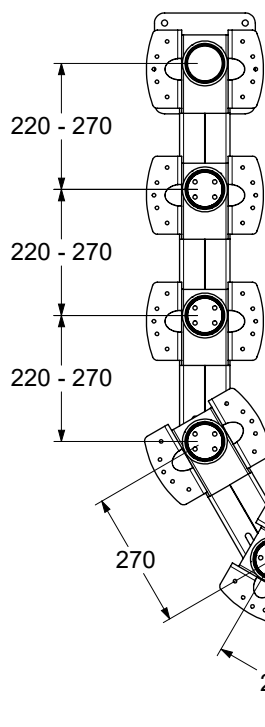
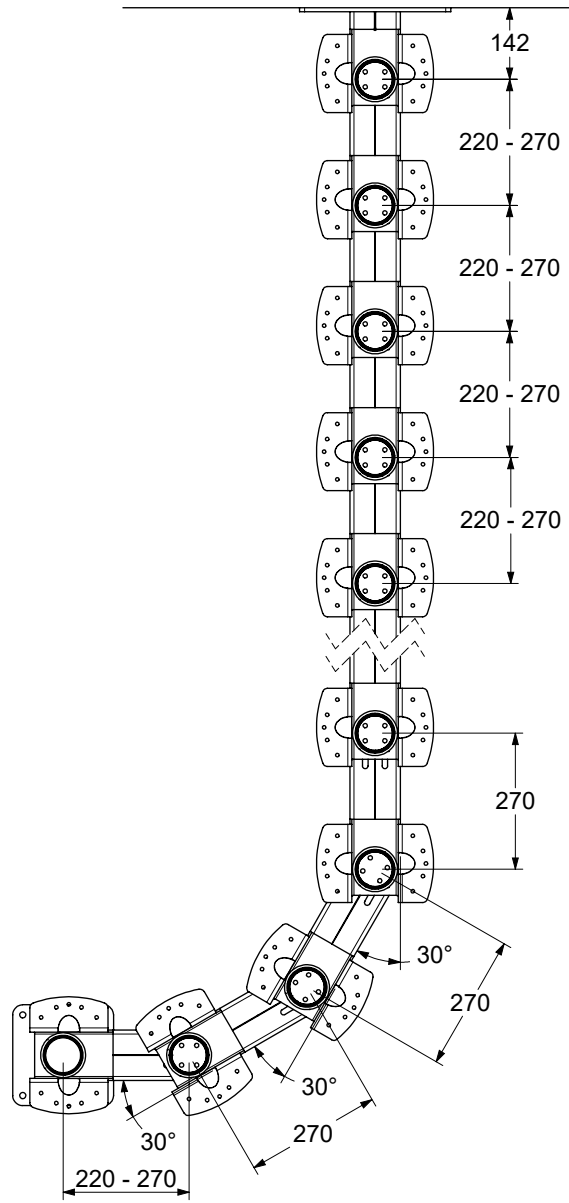
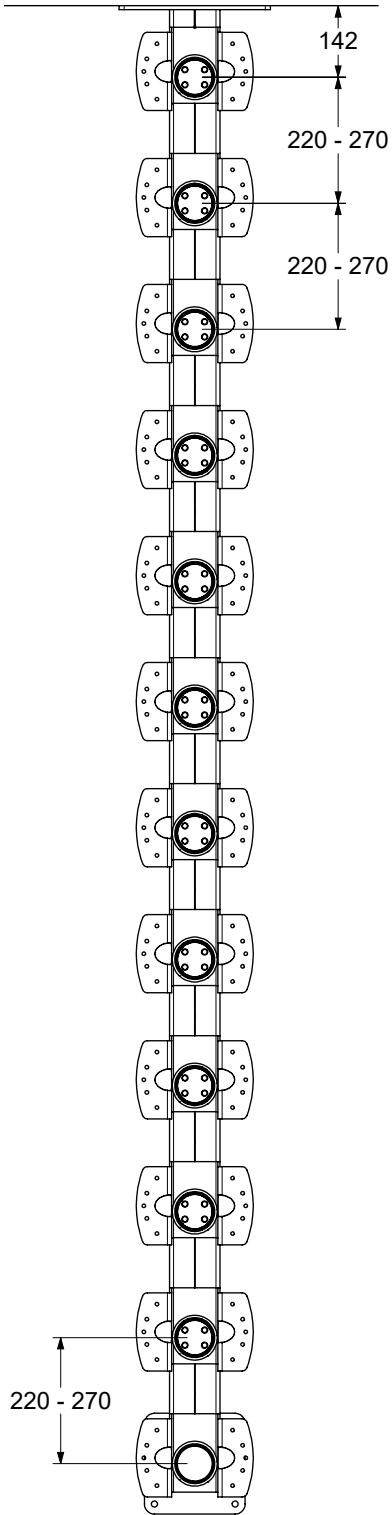
1



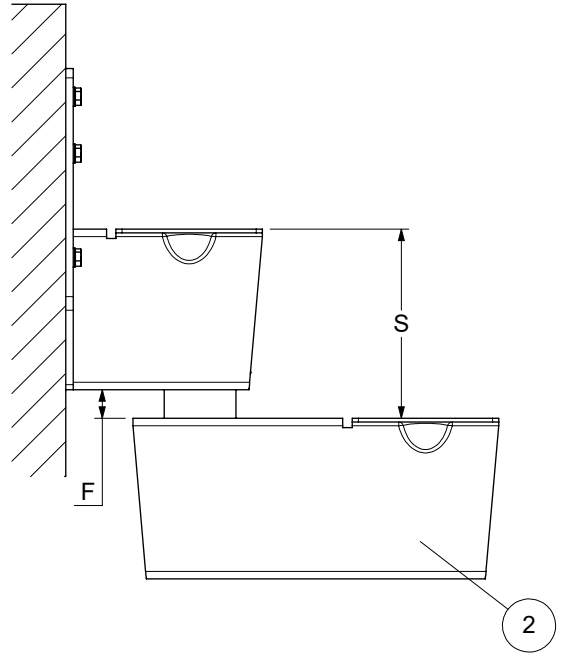
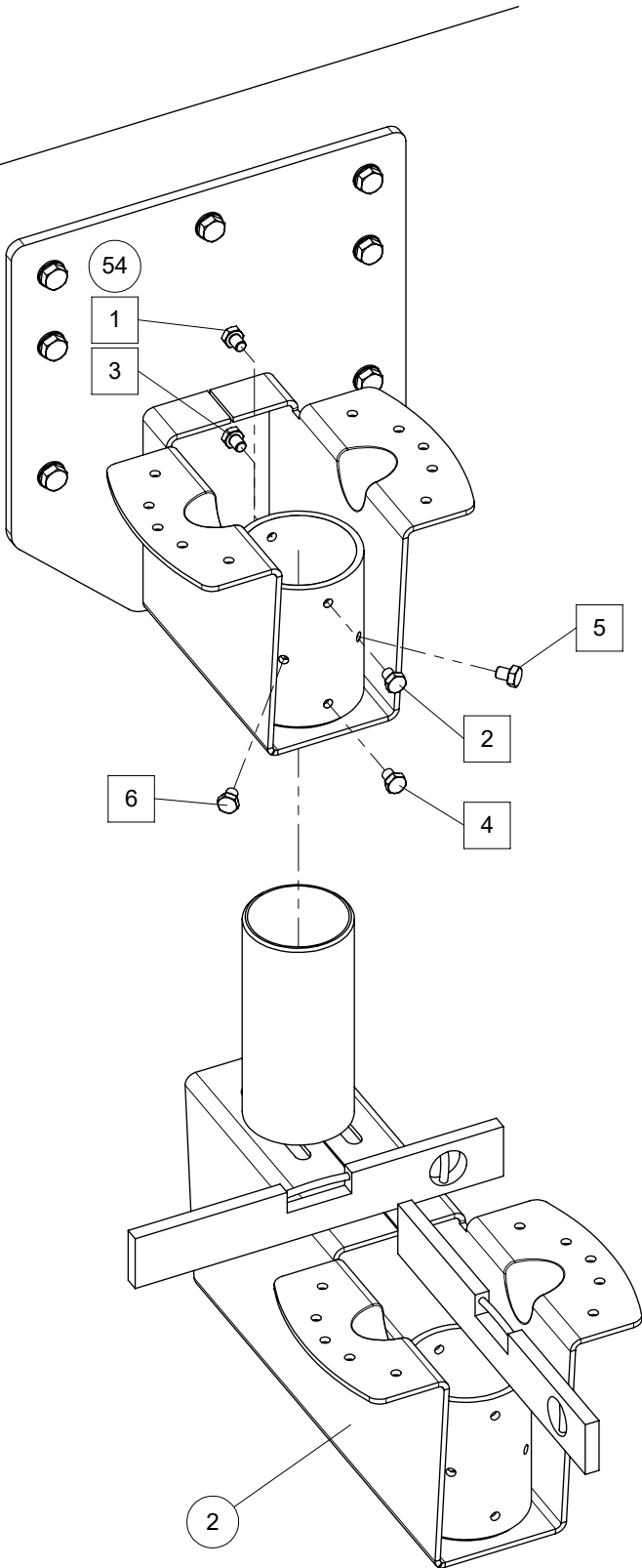
G	D
220 mm	63 mm
230 mm	53 mm
240 mm	43 mm
250 mm	33 mm
260 mm	23 mm
270 mm	13 mm



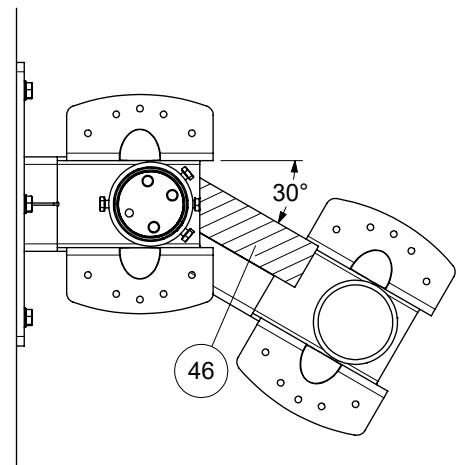
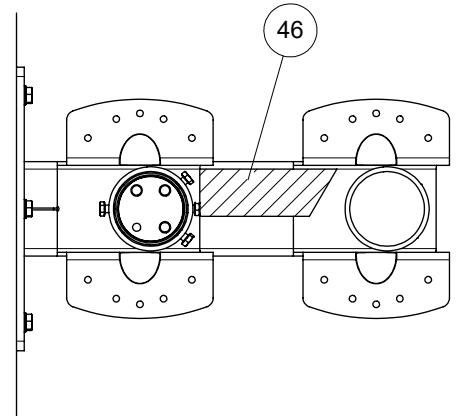
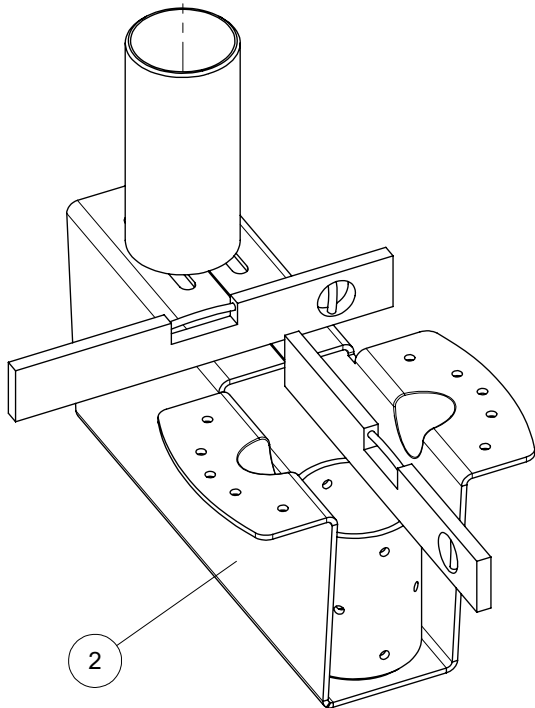


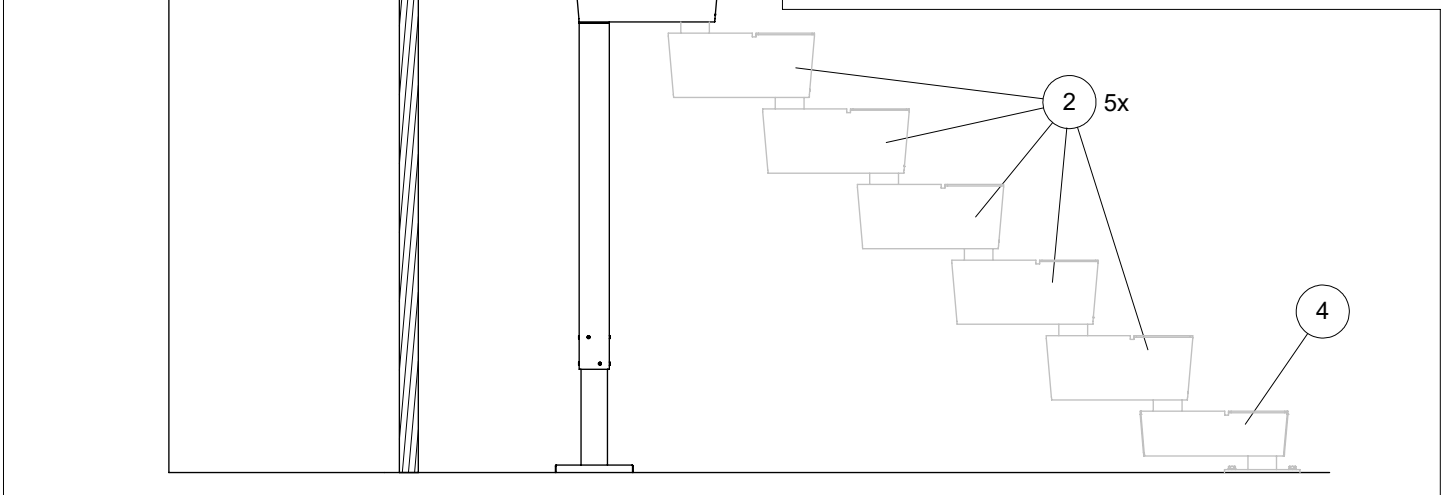
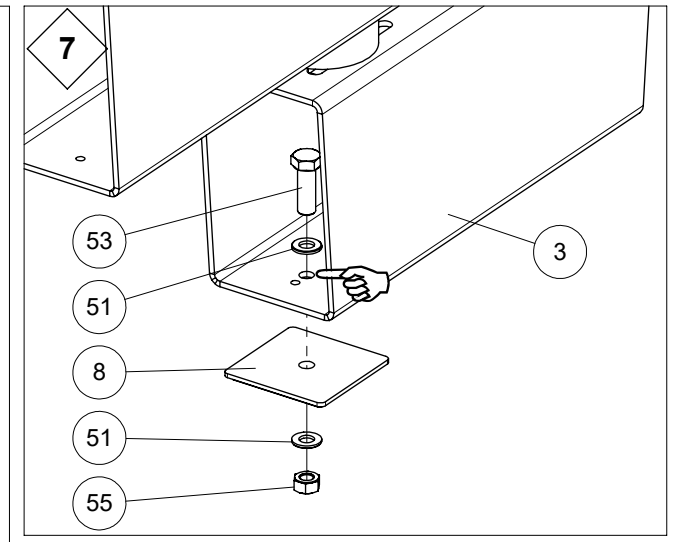
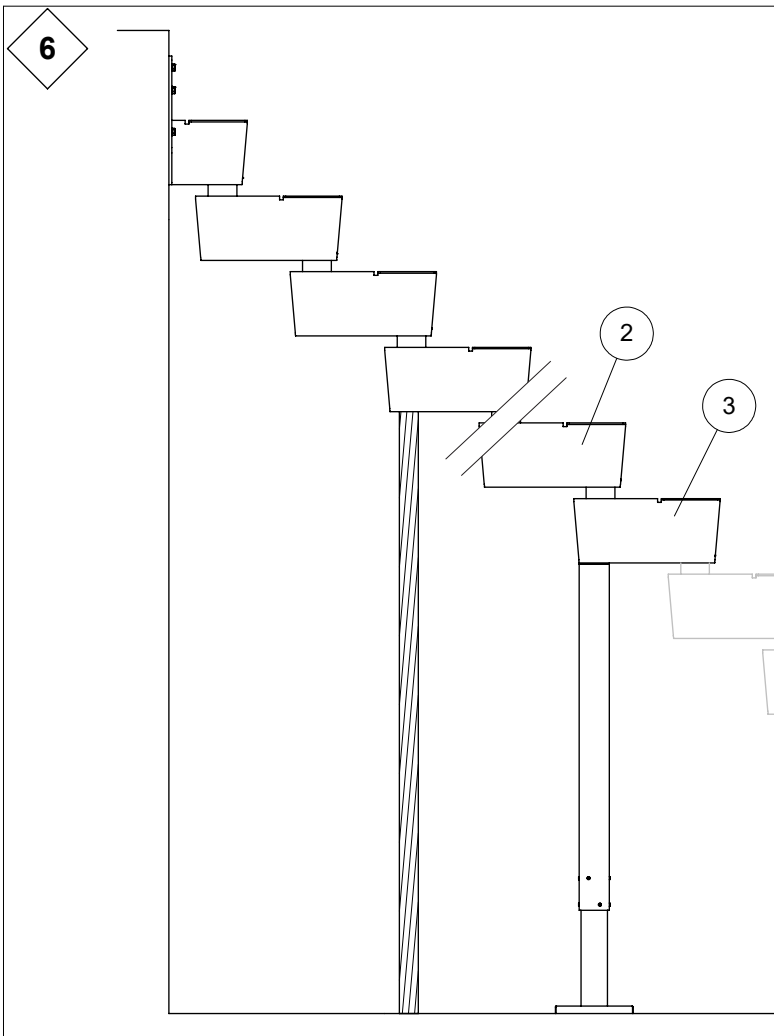
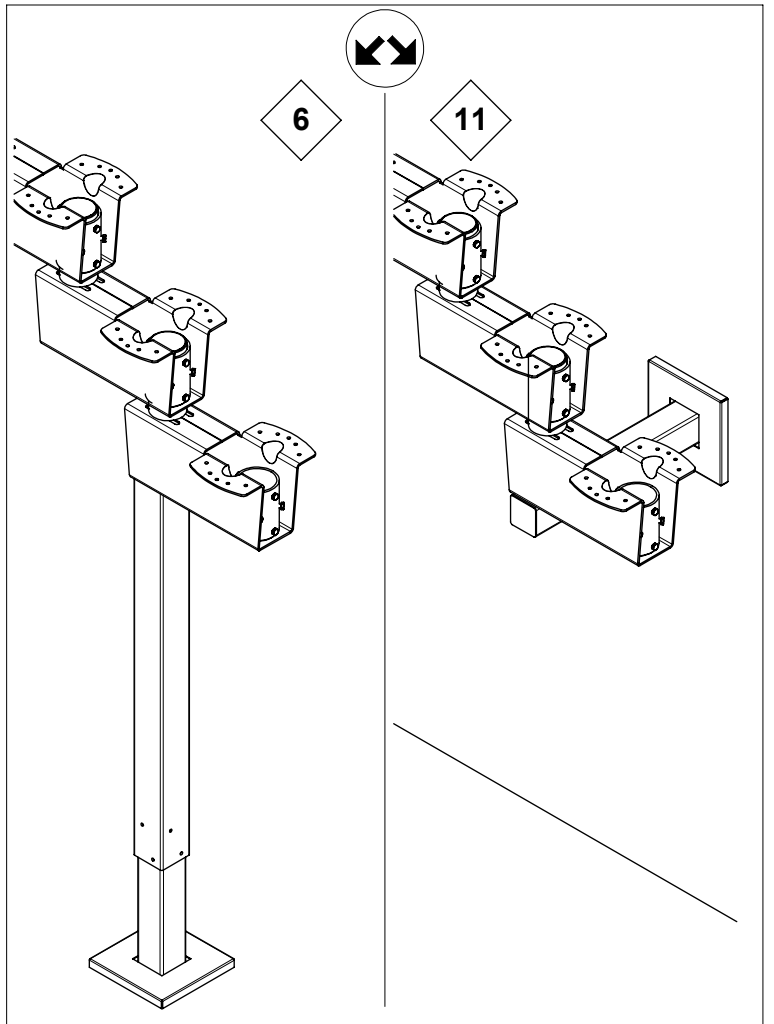
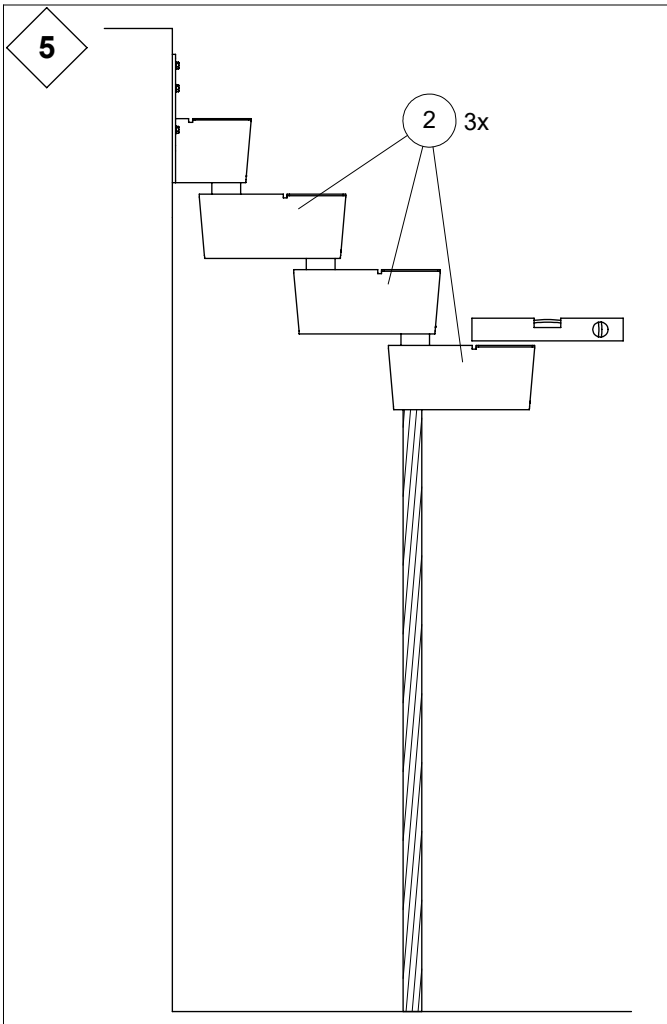


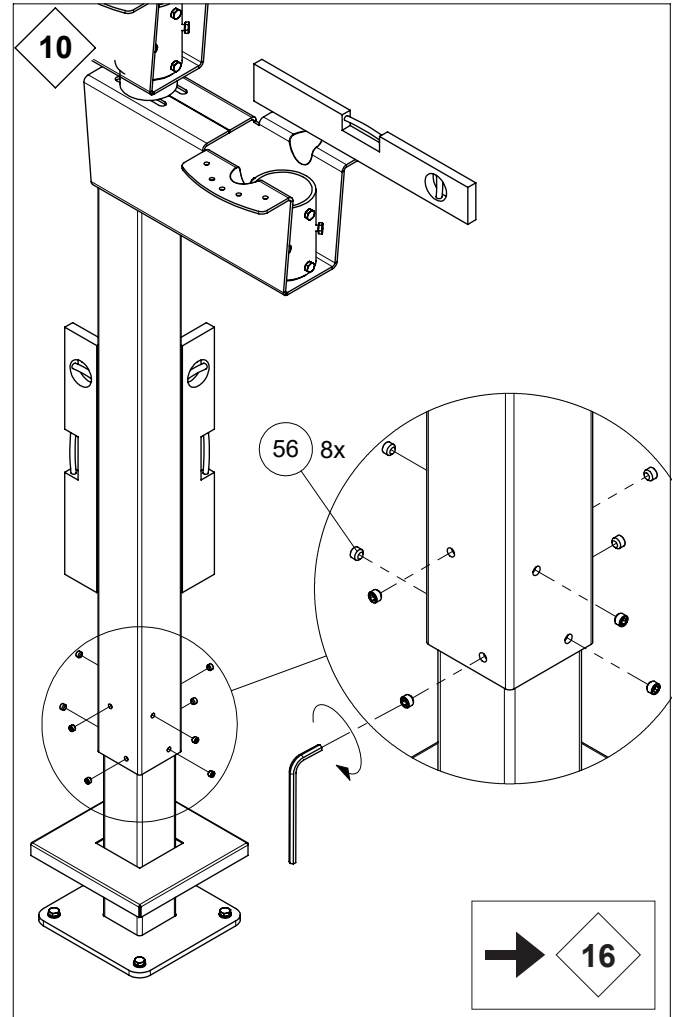
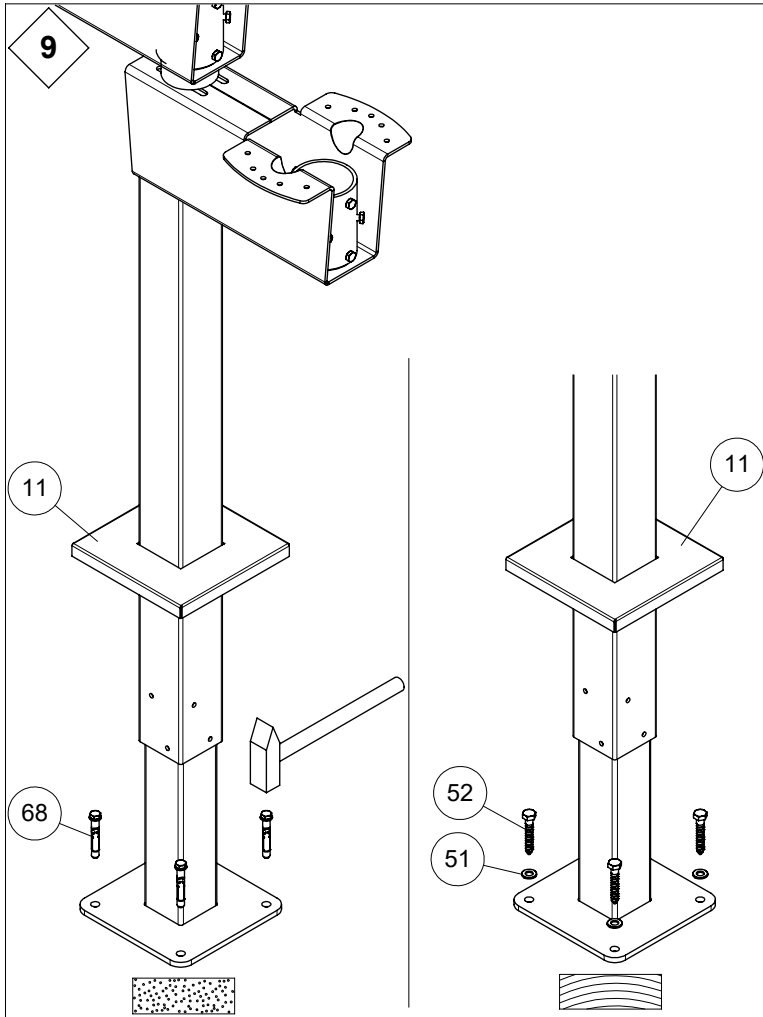
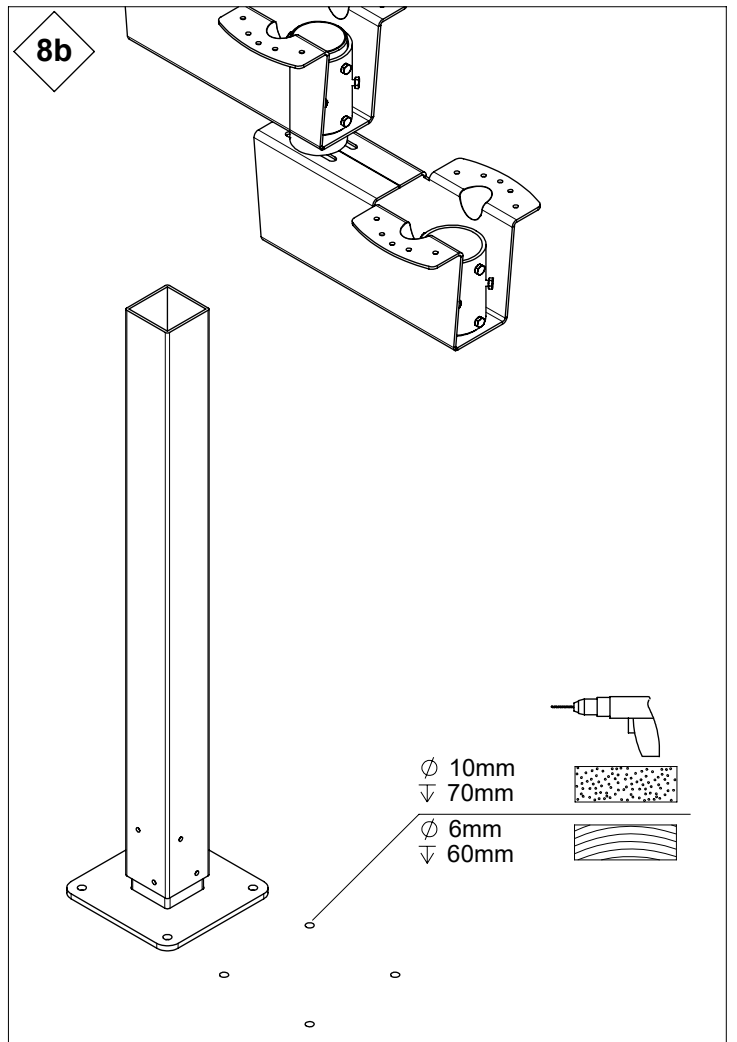
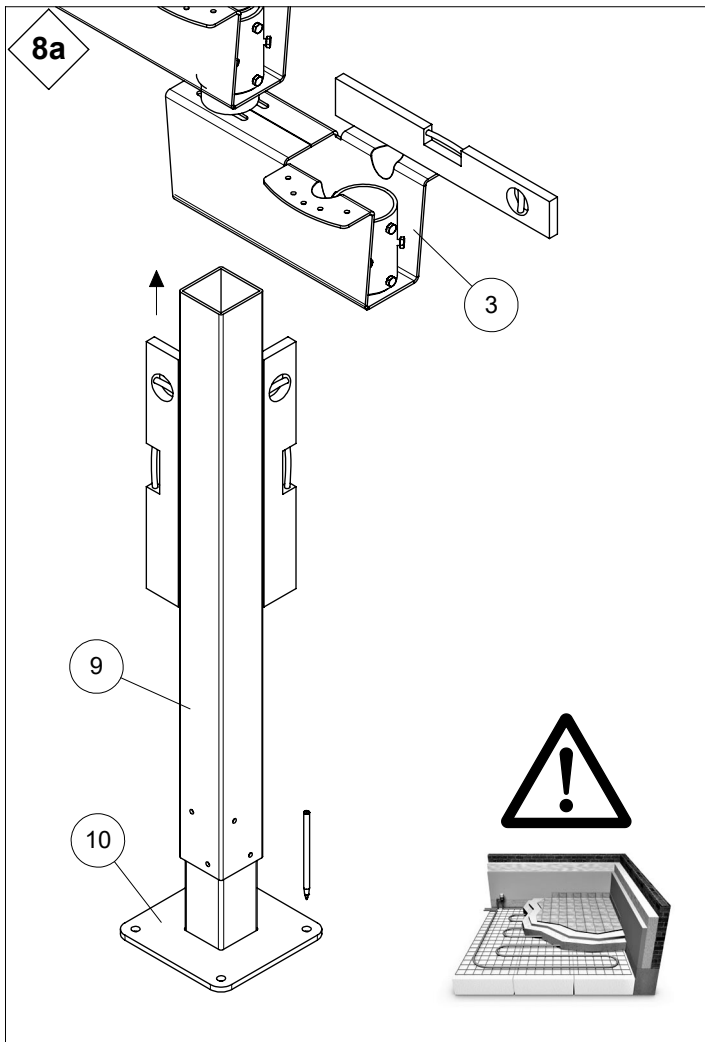
4



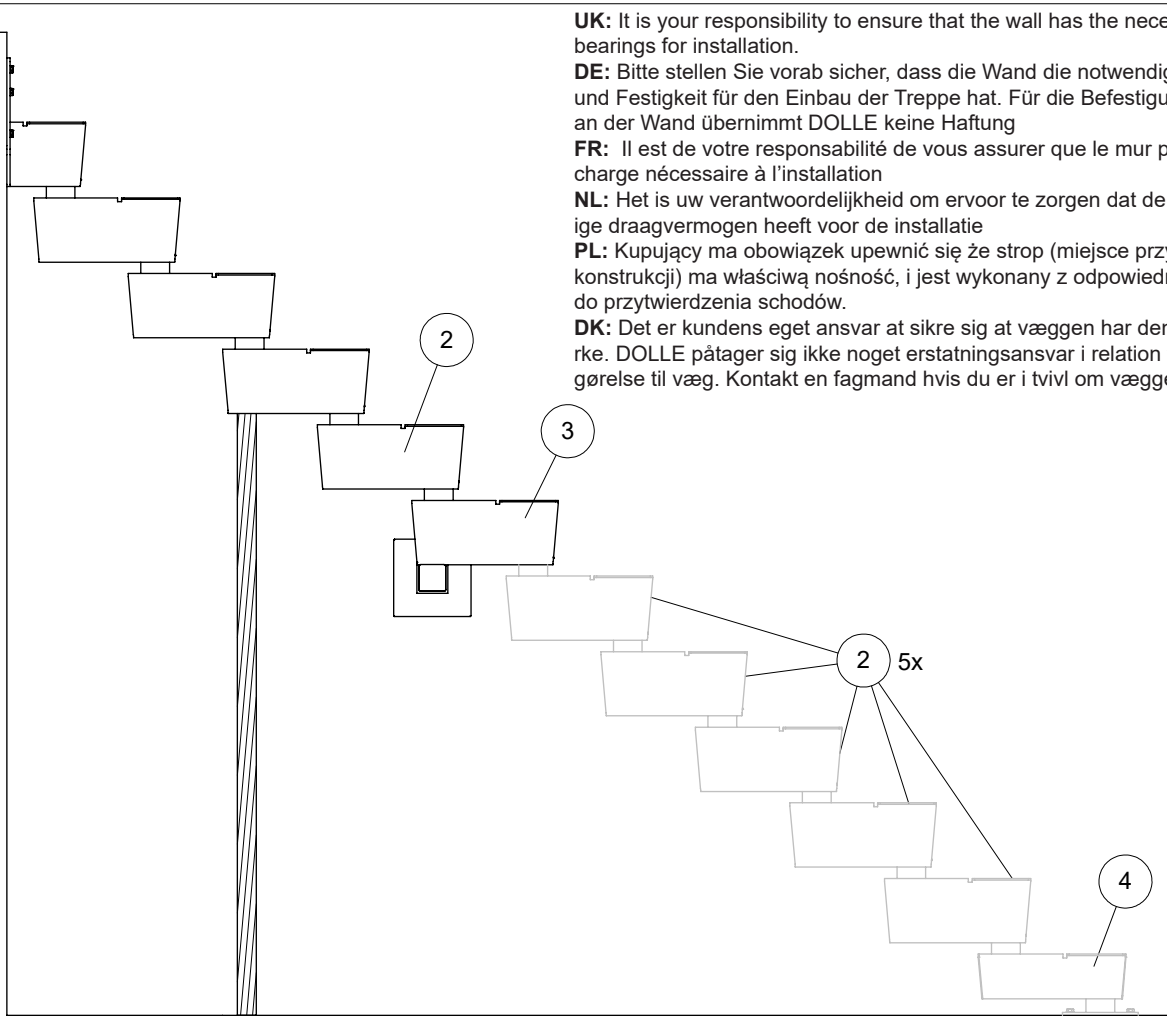
S	F
170 mm	0 mm
180 mm	10 mm
190 mm	20 mm
200 mm	30 mm
210 mm	40 mm







11



UK: It is your responsibility to ensure that the wall has the necessary load bearings for installation.

DE: Bitte stellen Sie vorab sicher, dass die Wand die notwendige Tragfähigkeit und Festigkeit für den Einbau der Treppe hat. Für die Befestigung der Treppe an der Wand übernimmt DOLLE keine Haftung

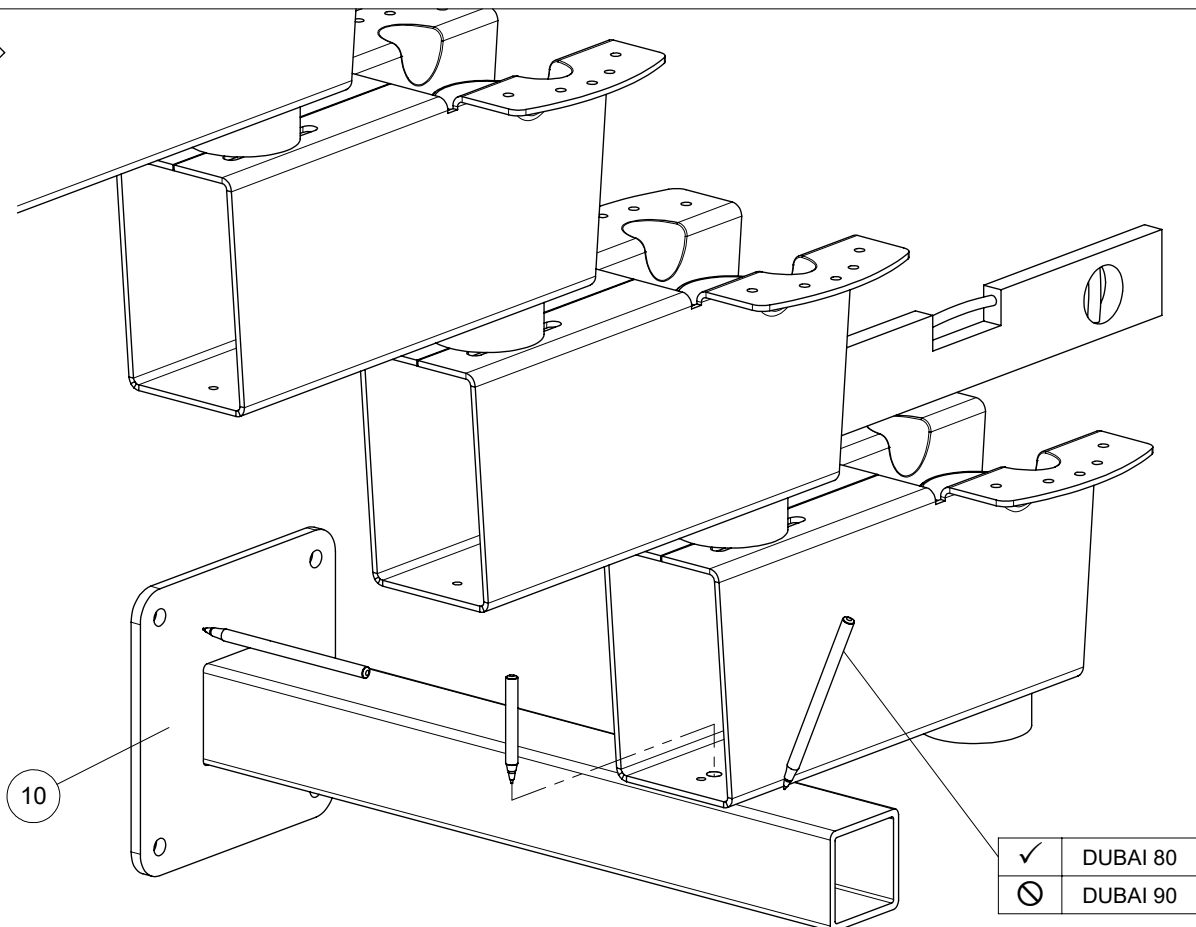
FR: Il est de votre responsabilité de vous assurer que le mur peut supporter la charge nécessaire à l'installation

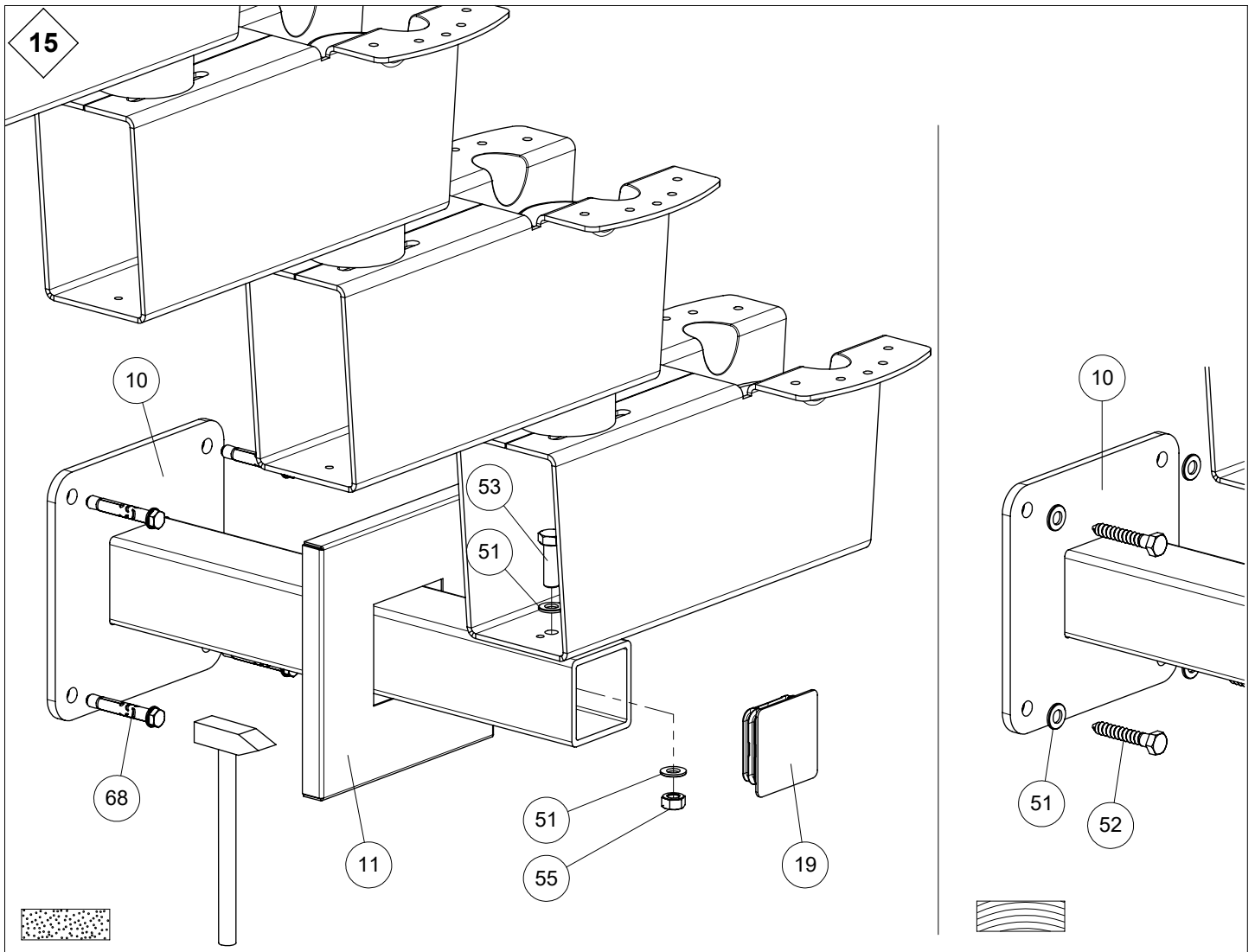
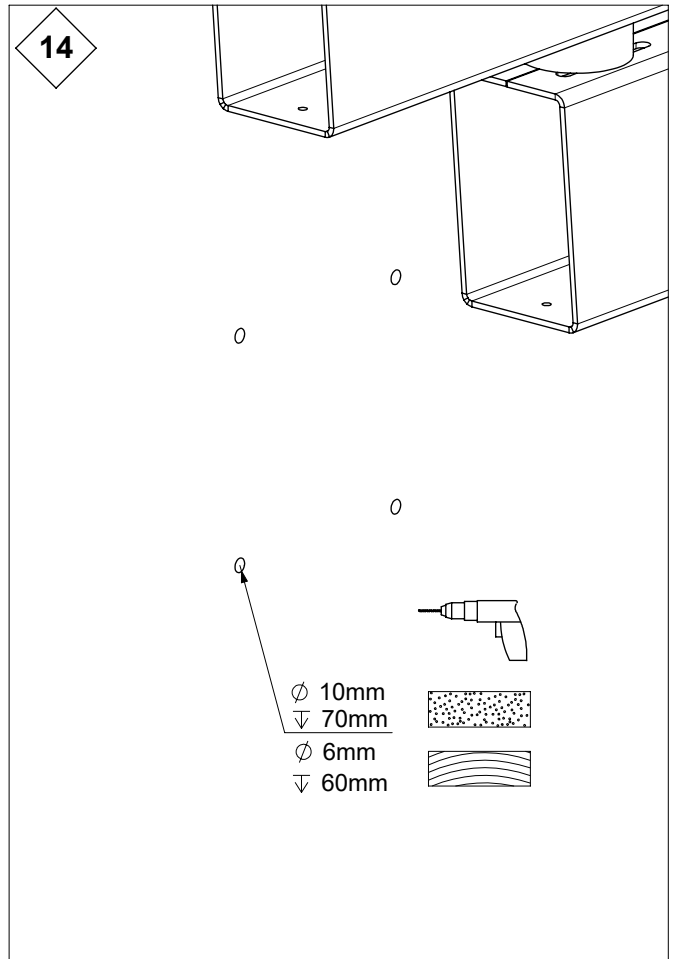
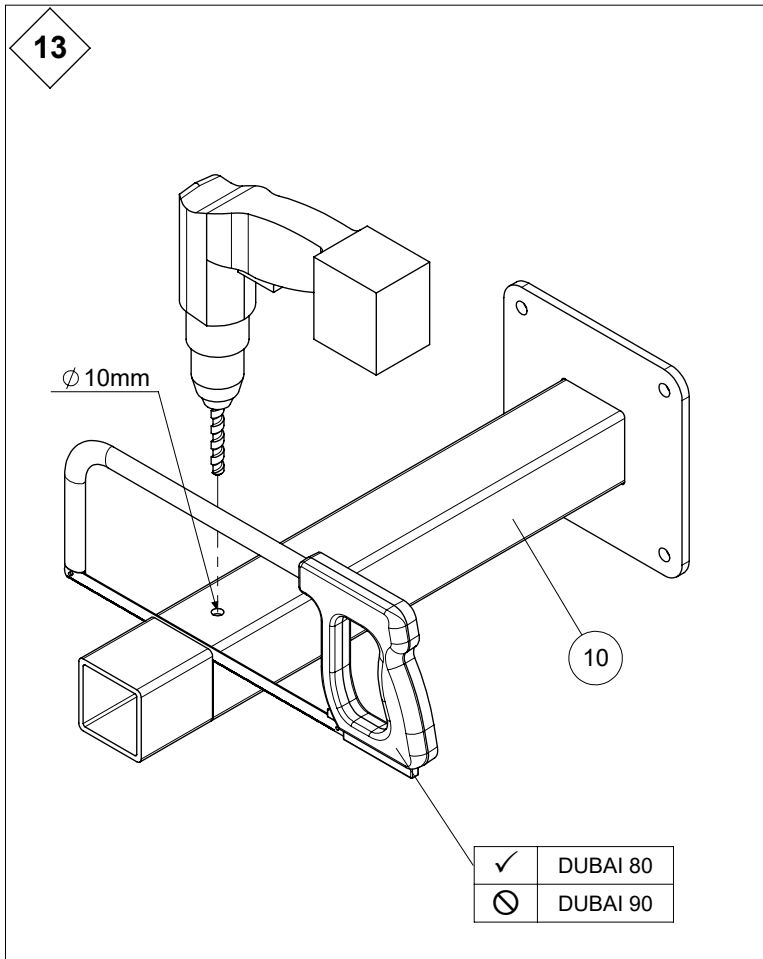
NL: Het is uw verantwoordelijkheid om ervoor te zorgen dat de muur het nodige draagvermogen heeft voor de installatie

PL: Kupujący ma obowiązek upewnić się że strop (miejsce przytwierdzenia konstrukcji) ma właściwą nośność, i jest wykonany z odpowiednich materiałów, do przytwierdzenia schodów.

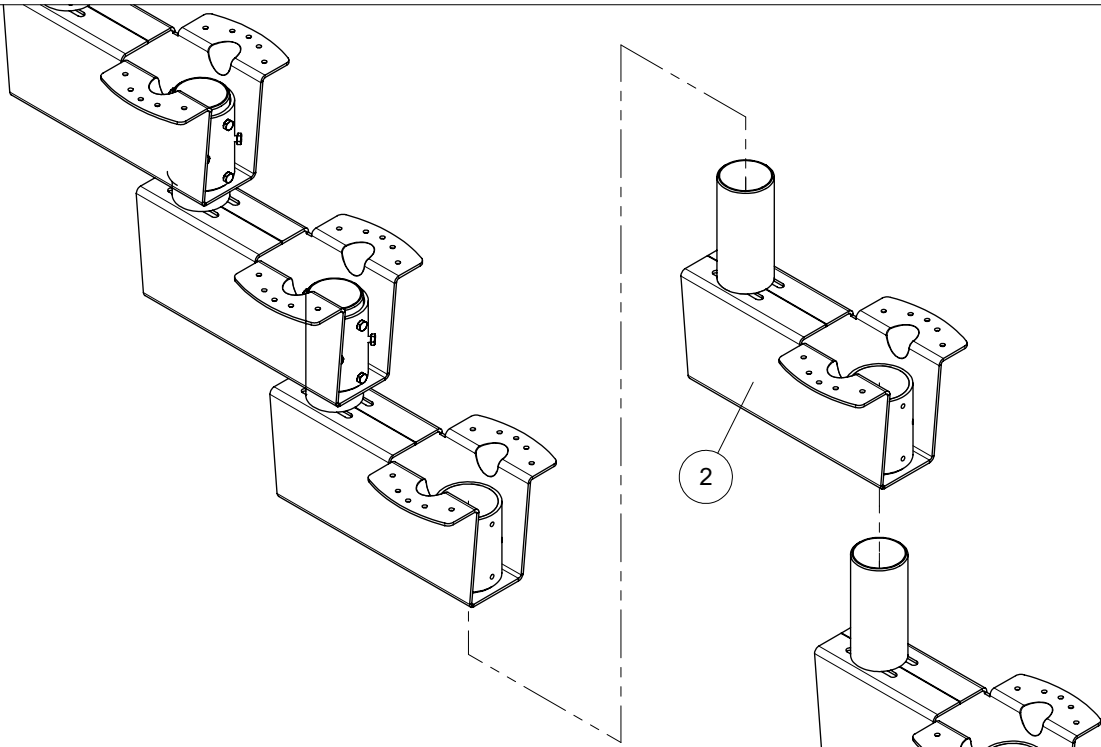
DK: Det er kundens eget ansvar at sikre sig at væggen har den fornødne styrke. DOLLE påtager sig ikke noget erstatningsansvar i relation til trappens fastgørelse til væg. Kontakt en fagmand hvis du er i tvivl om væggens bæreevne.

12

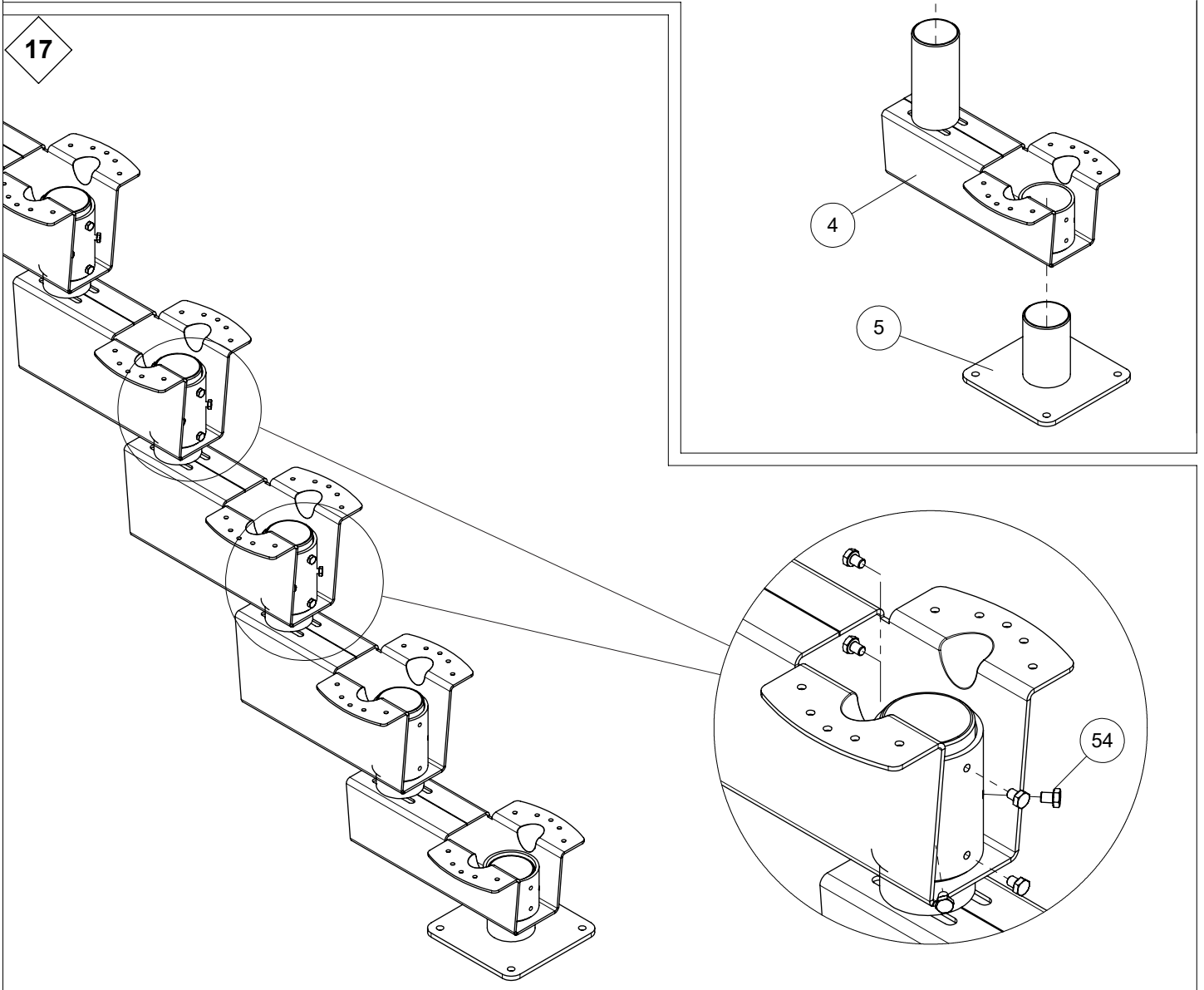


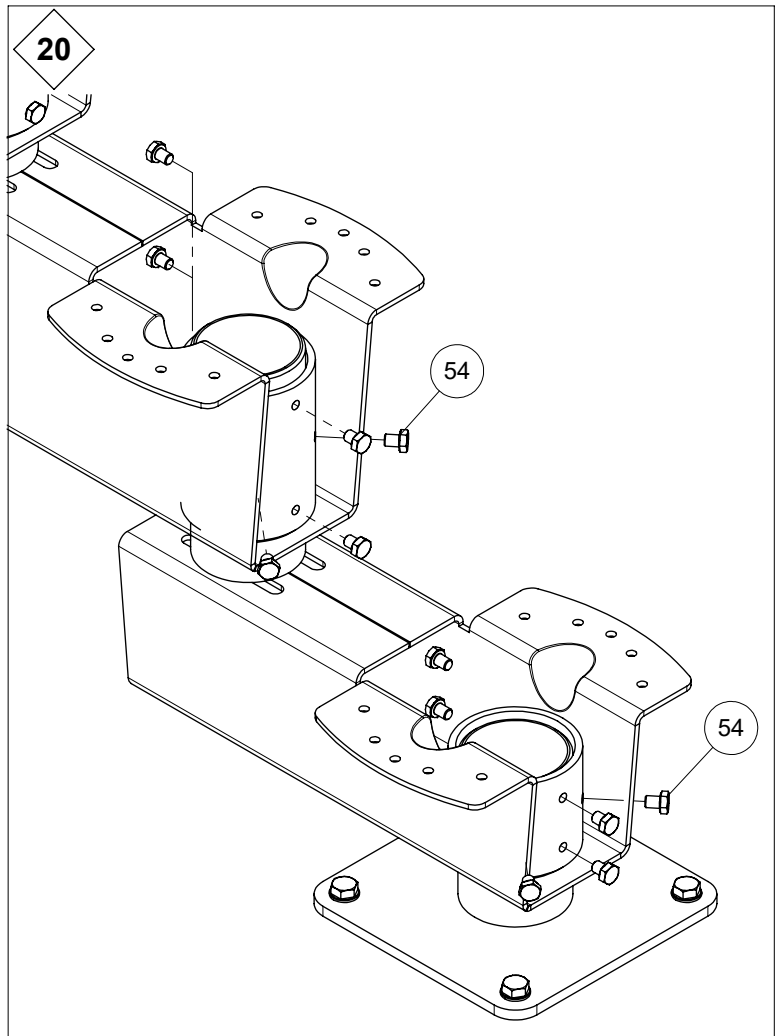
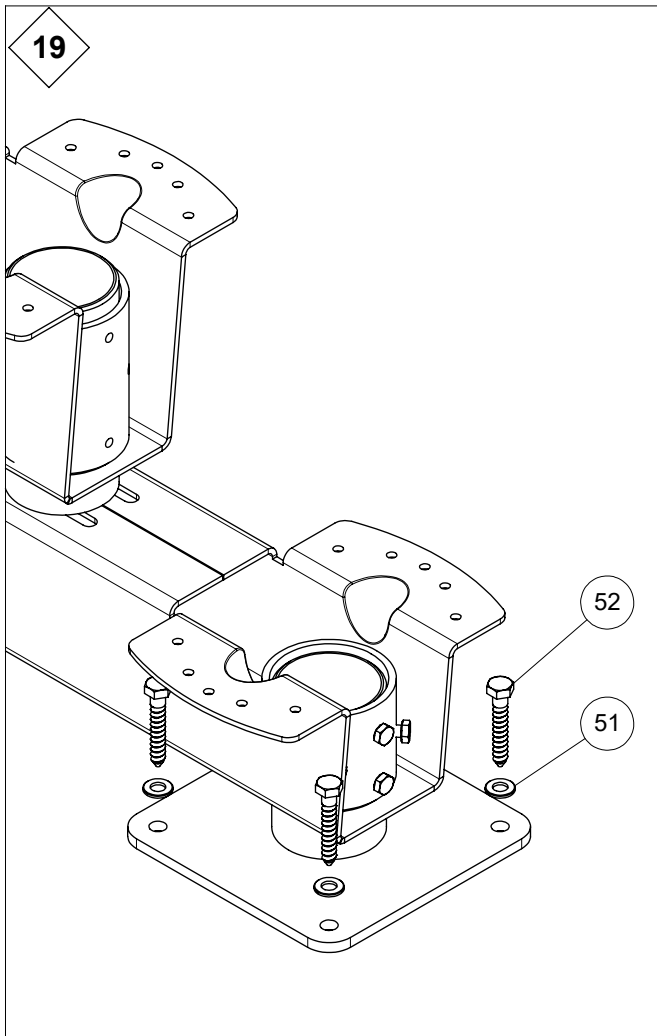
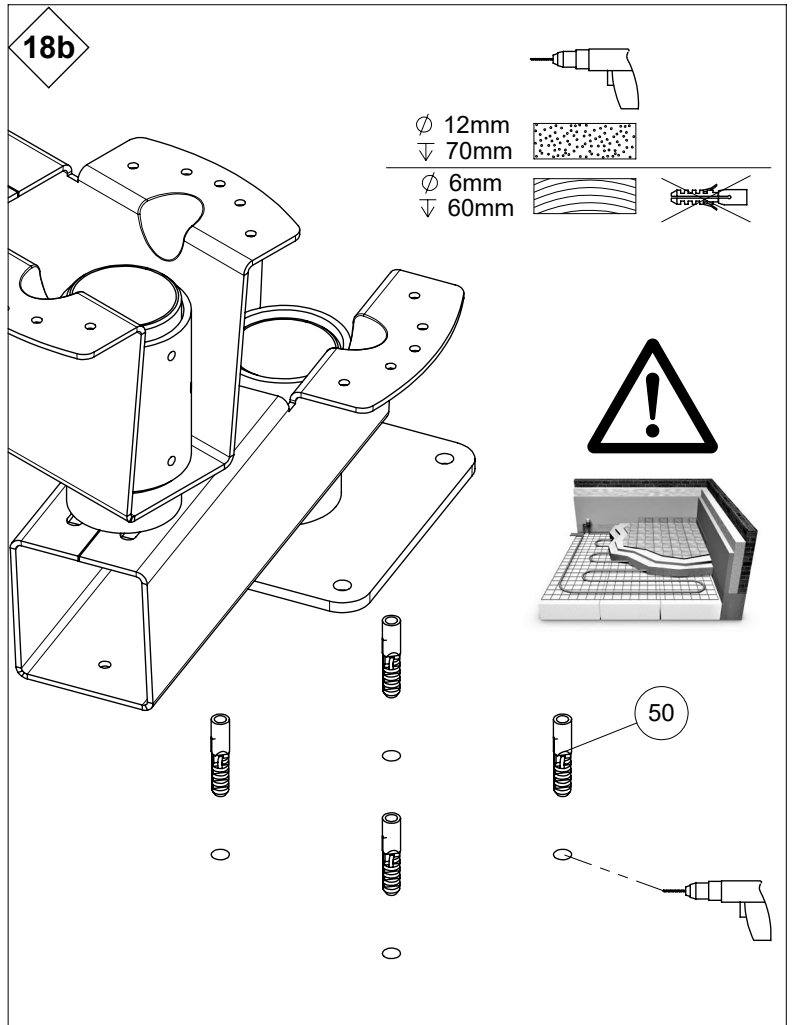
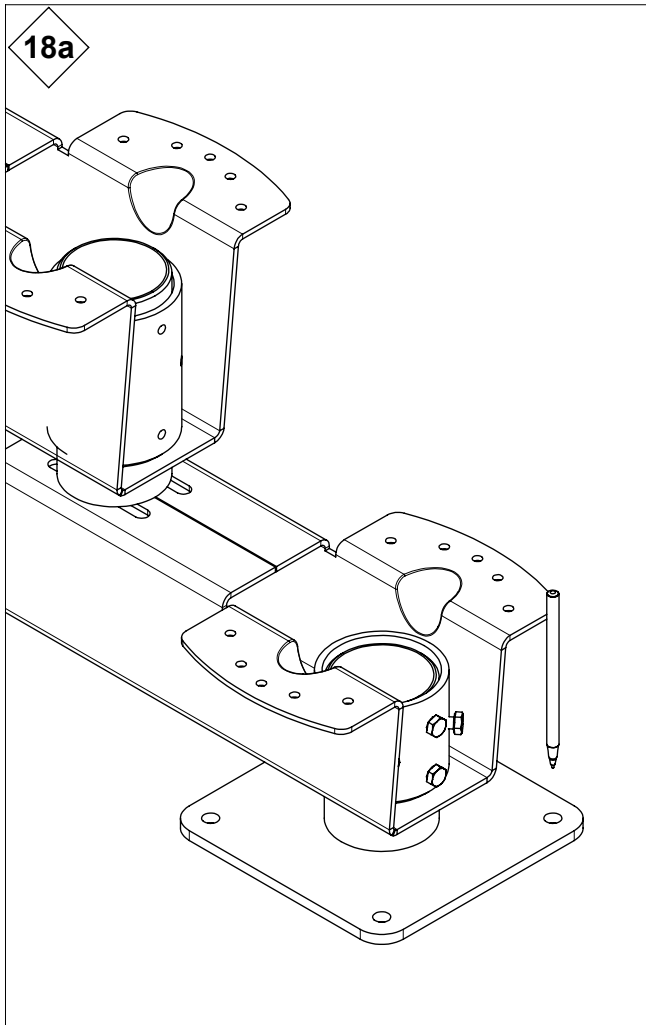


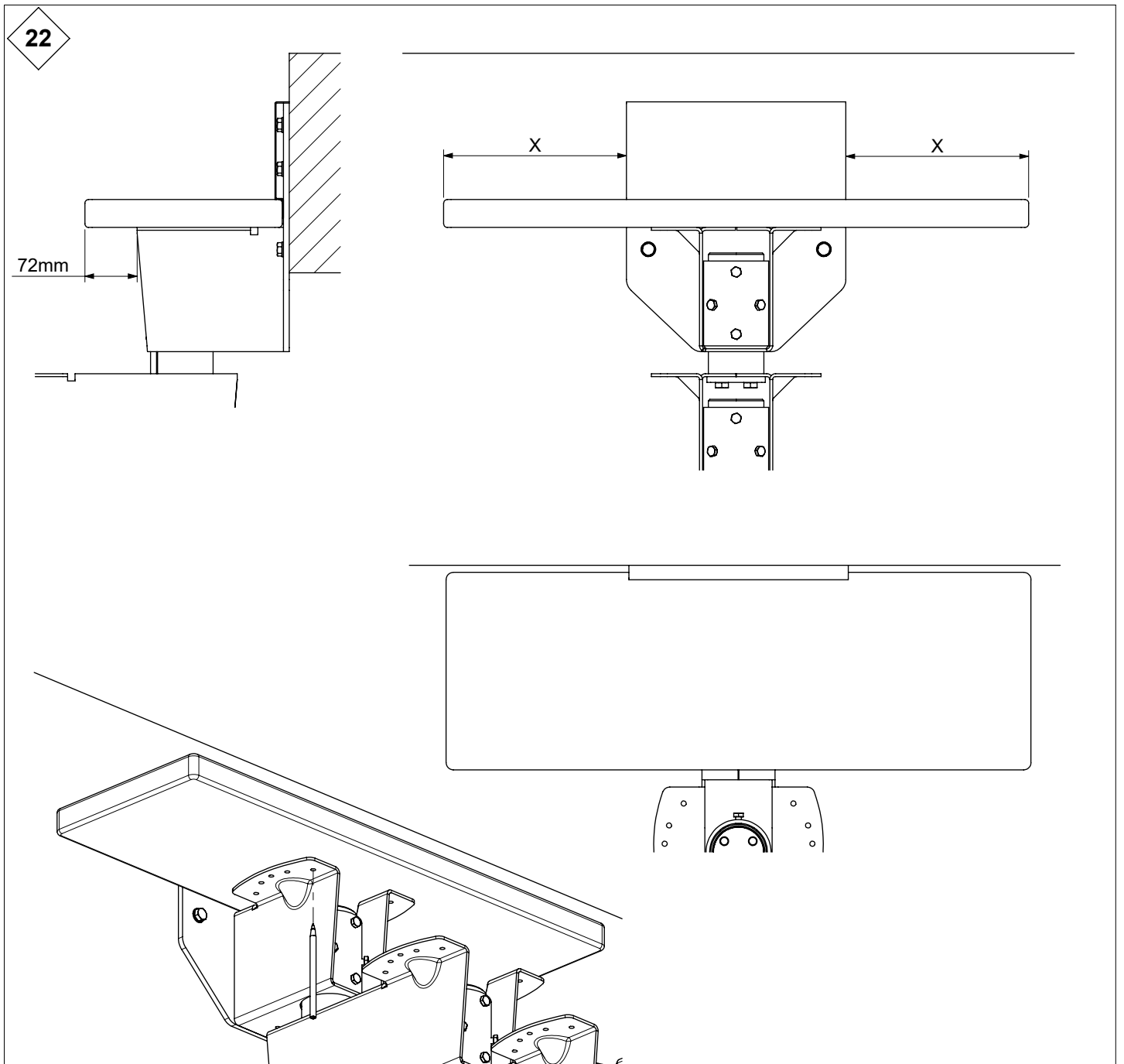
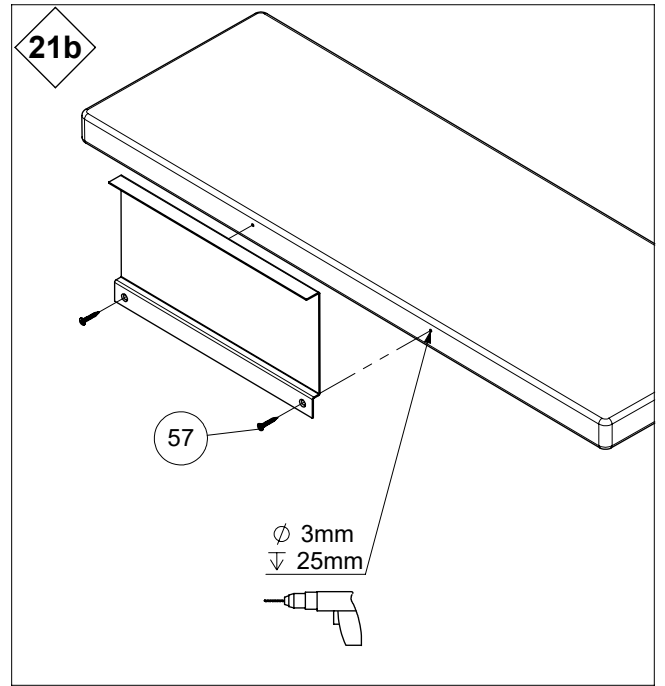
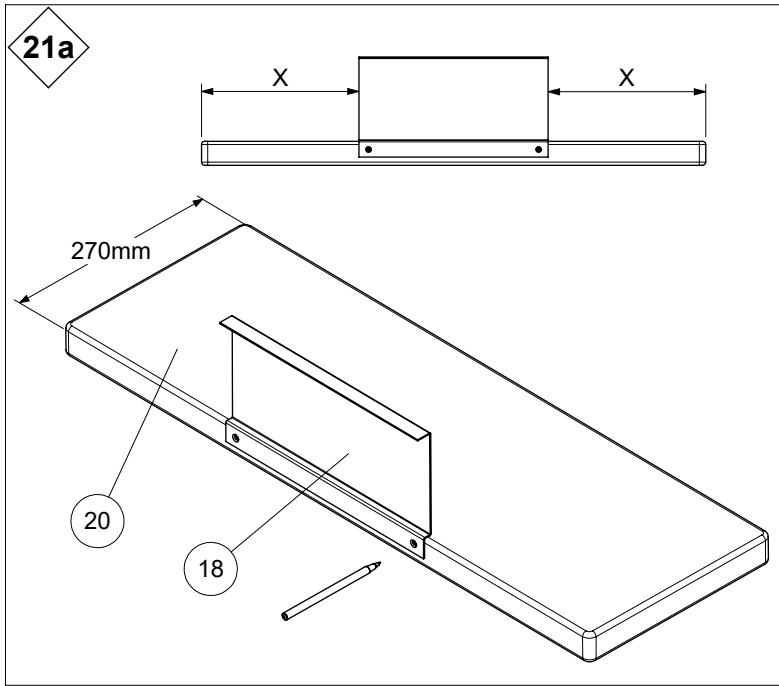
16



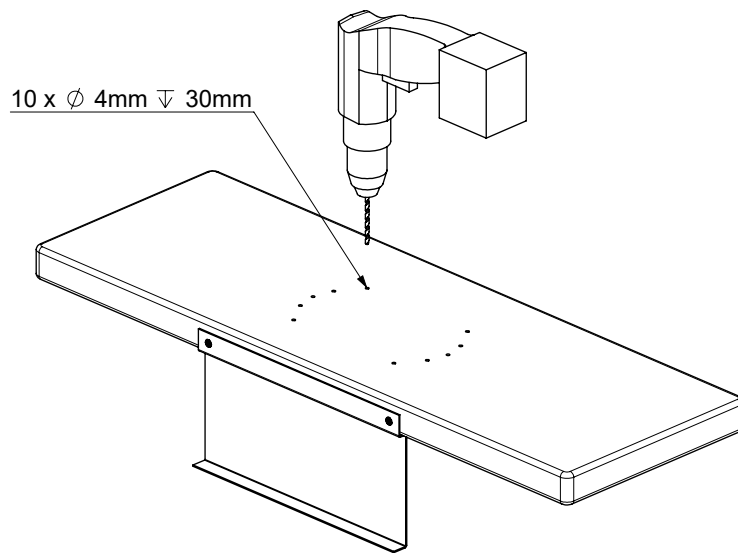
17



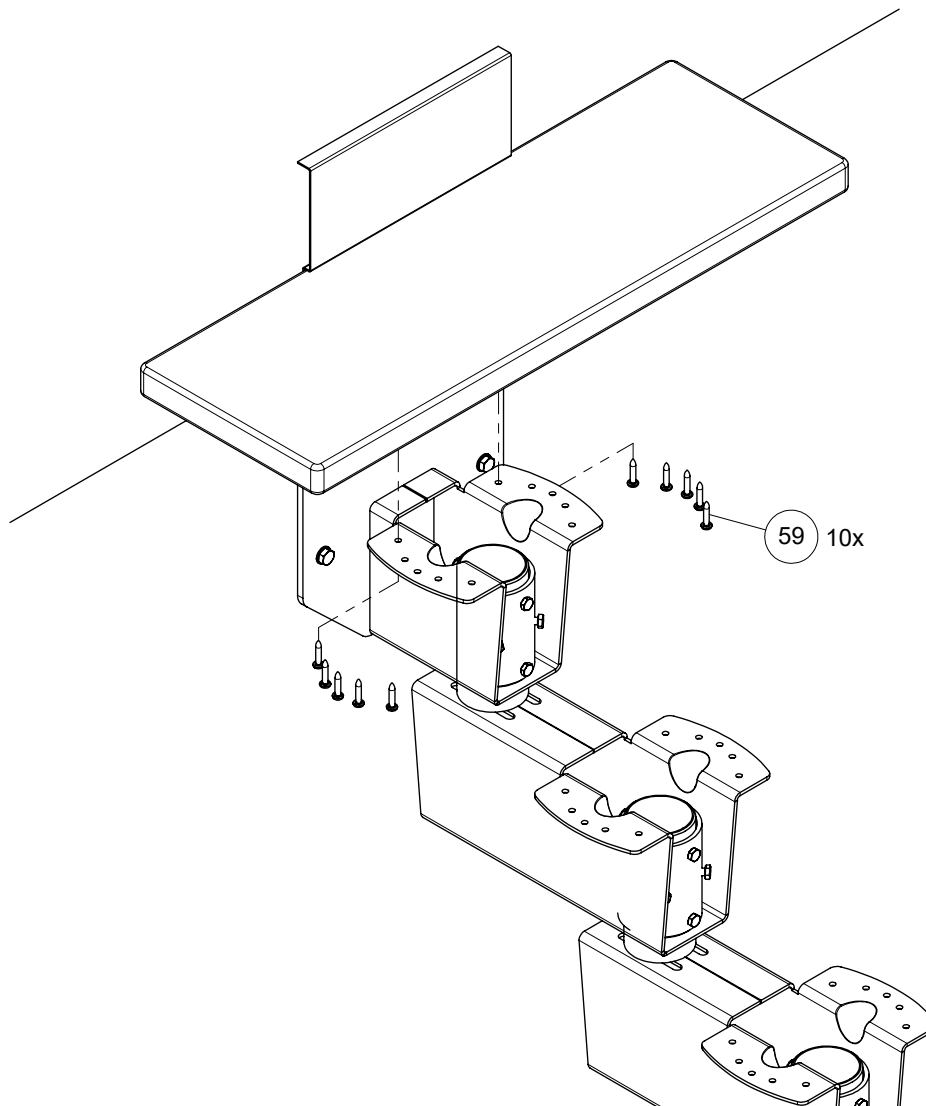




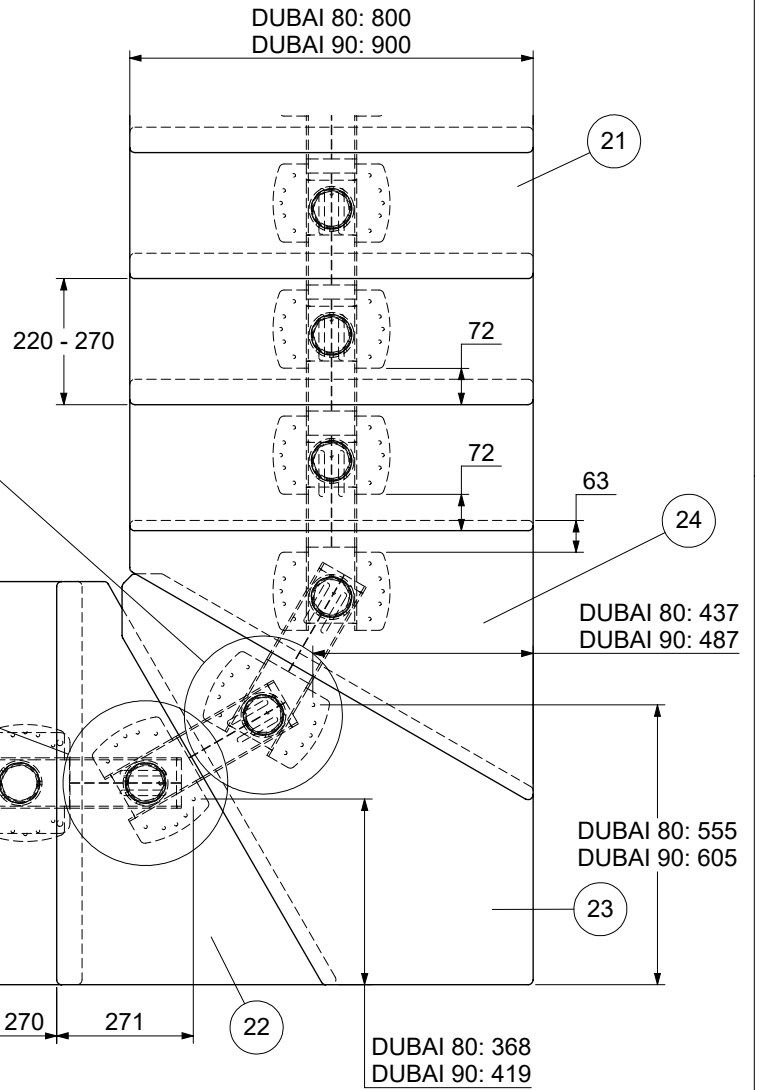
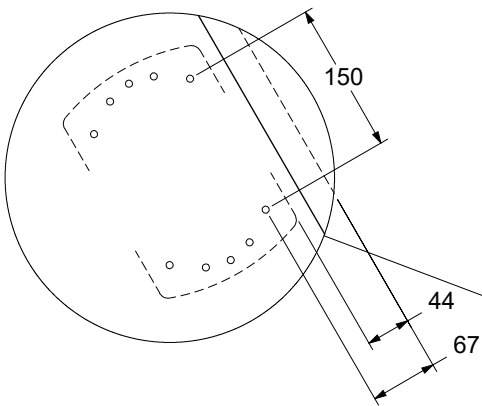
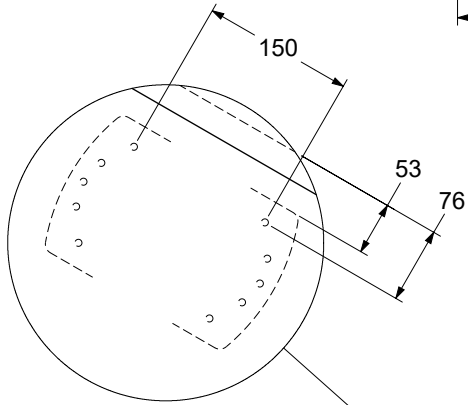
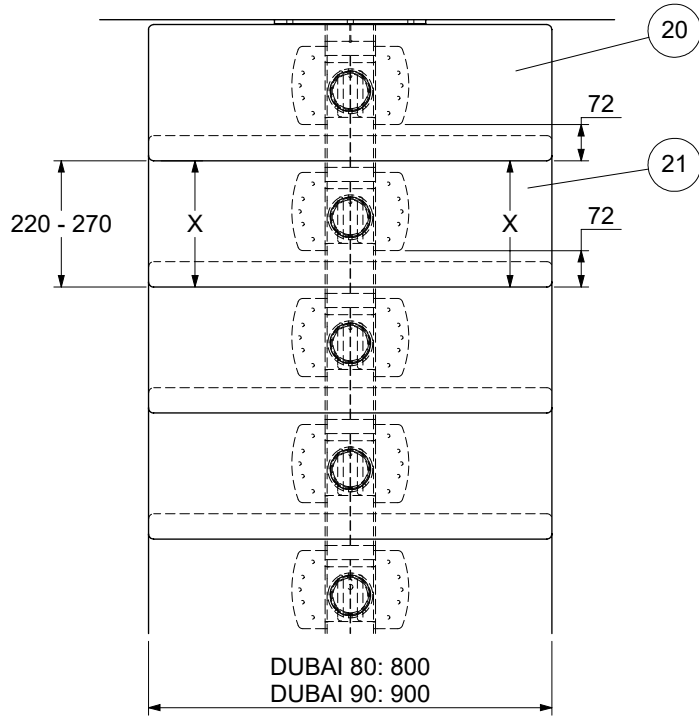
23



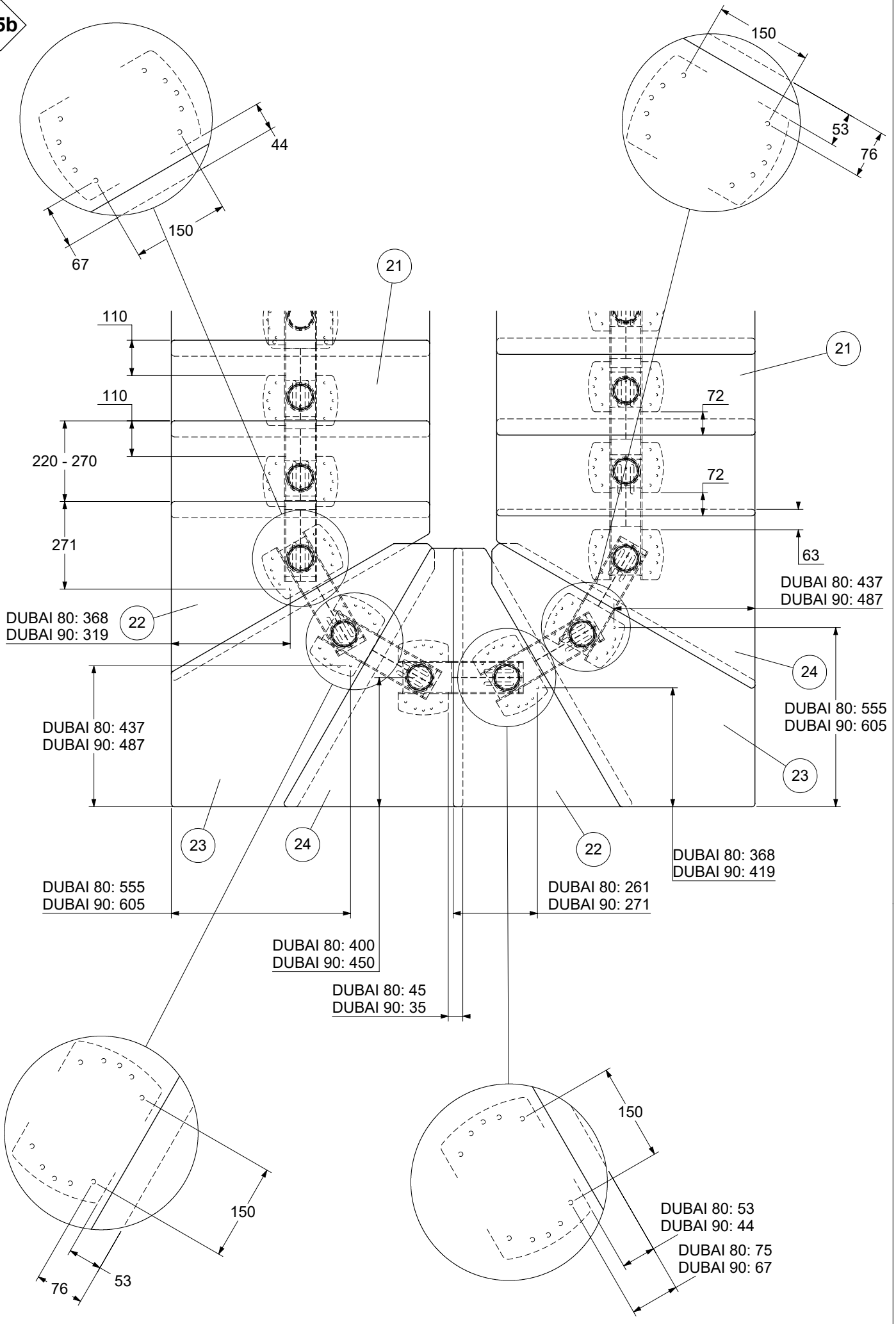
24

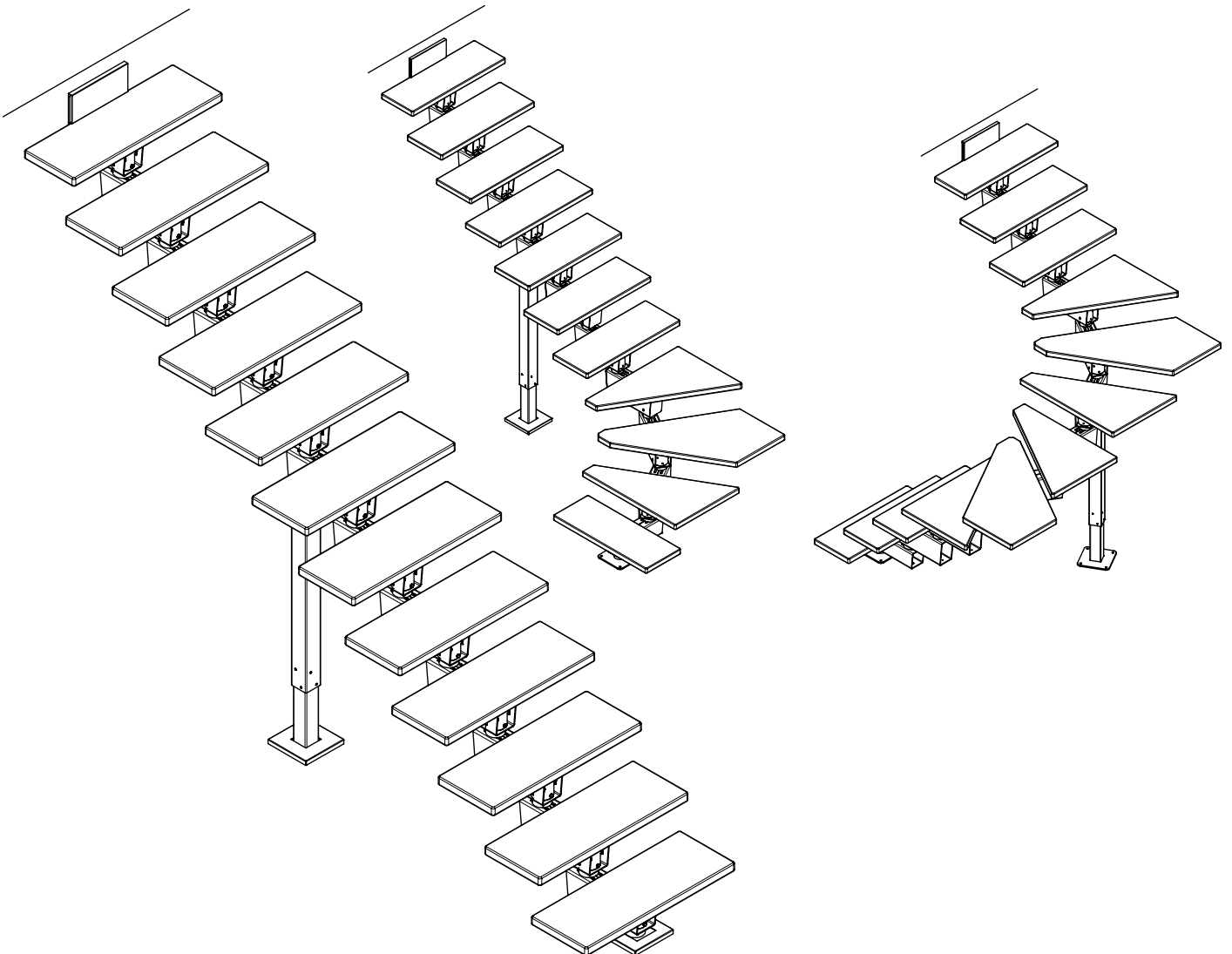
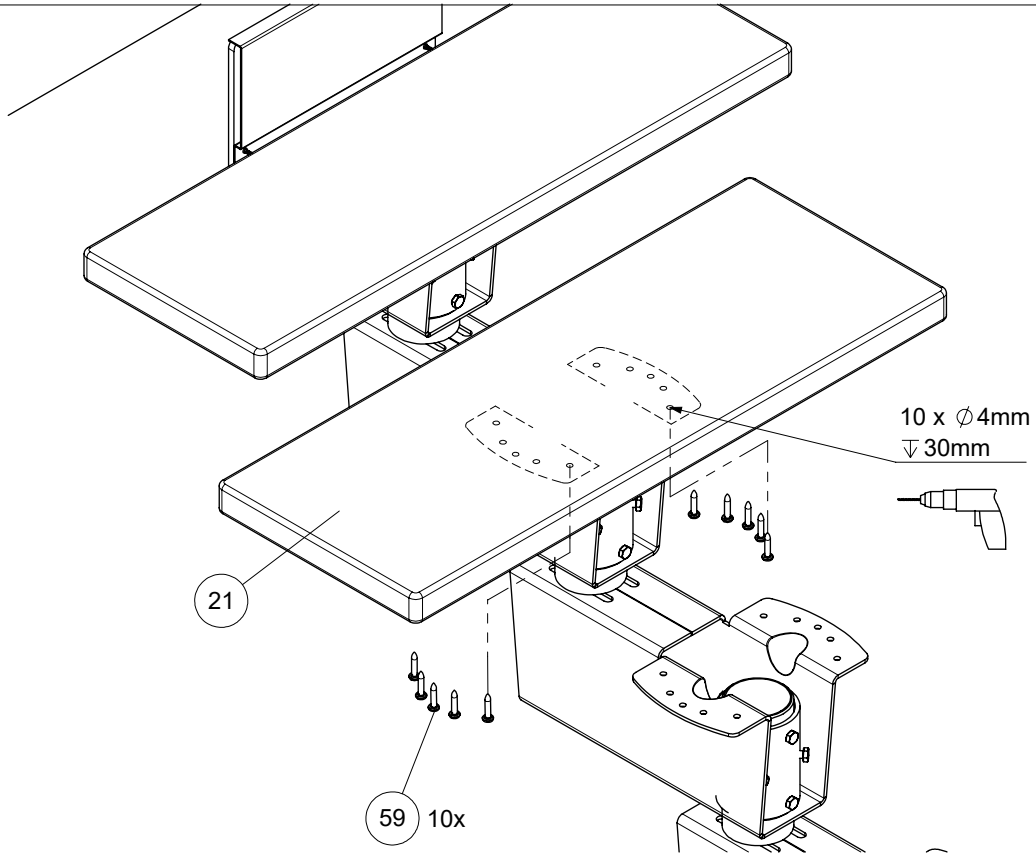


25a

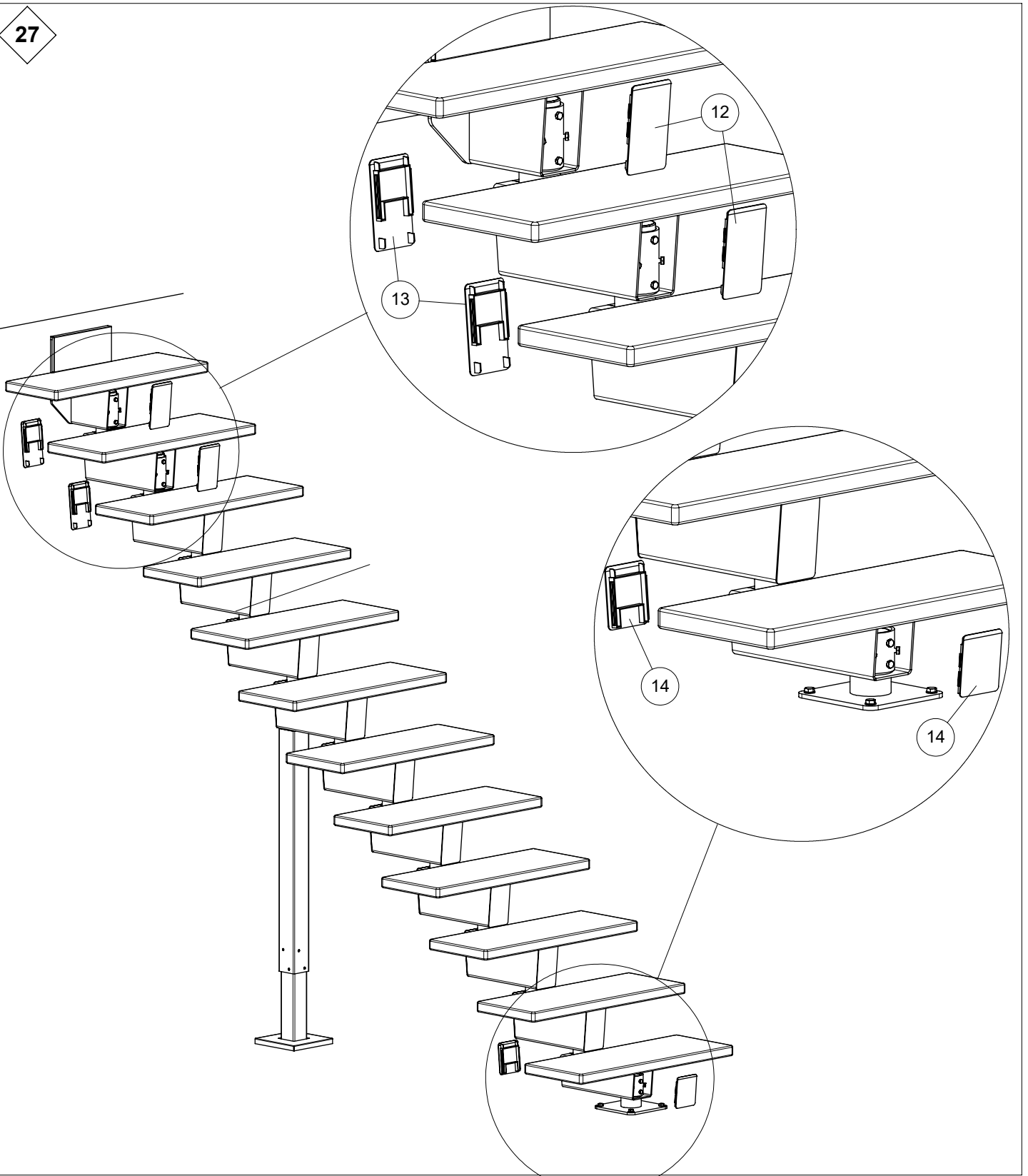


25b

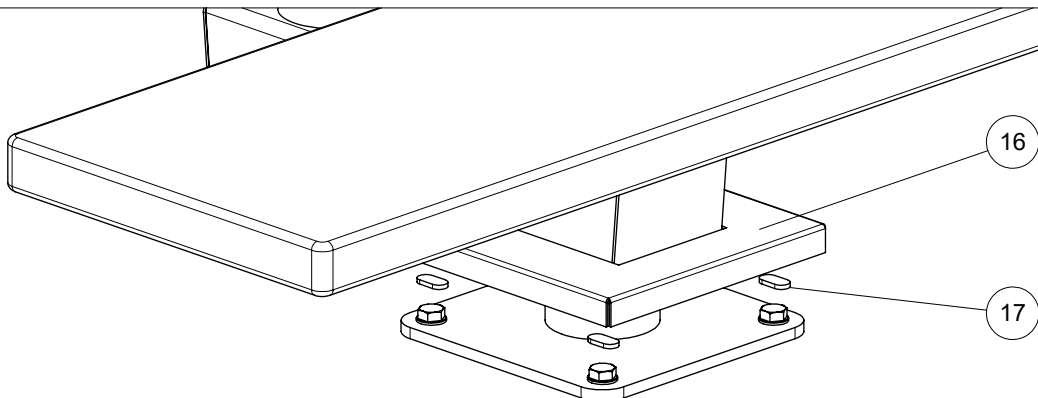


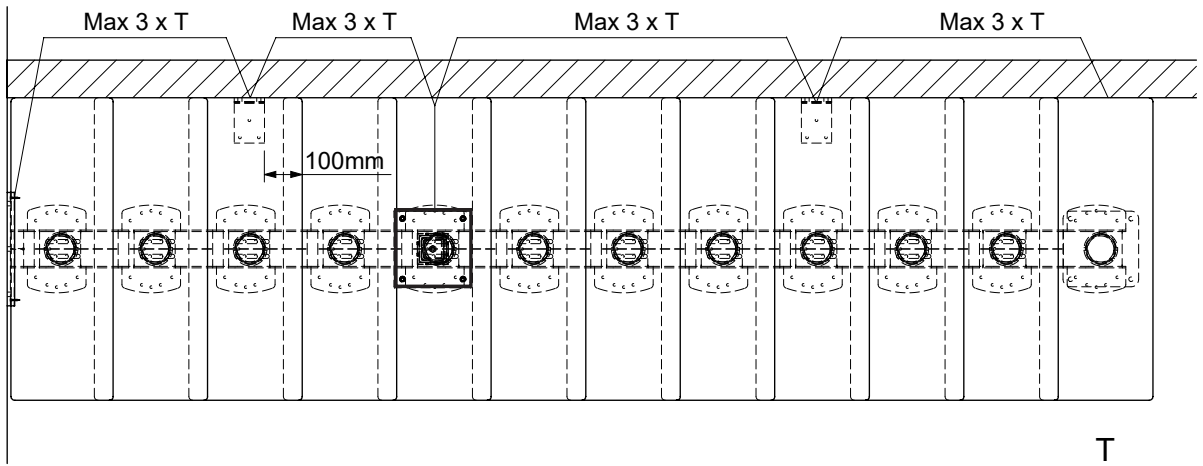
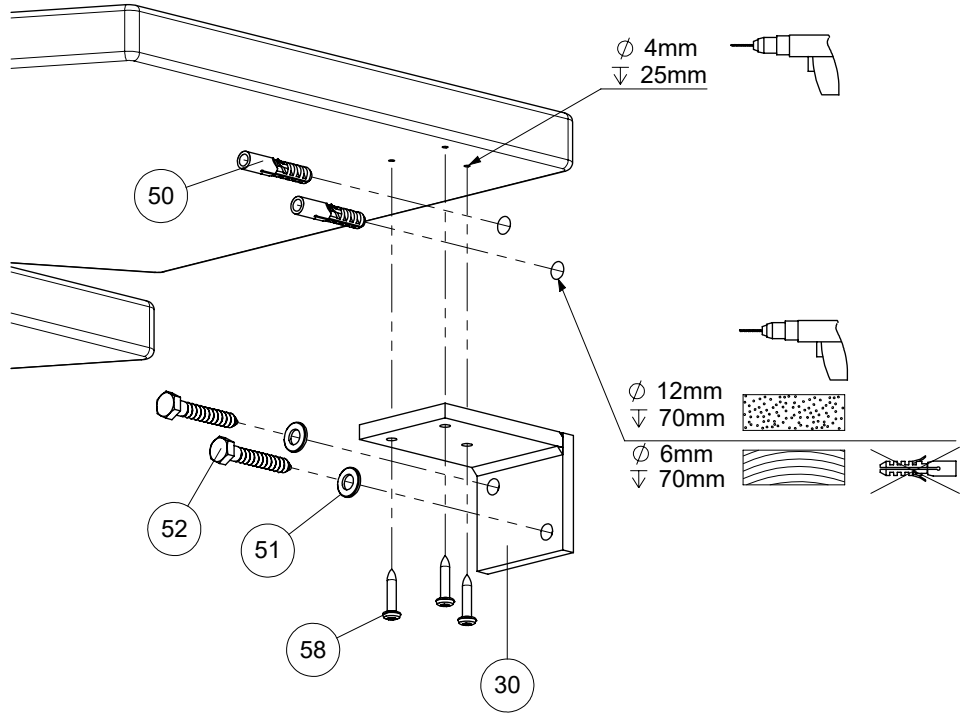


27



28





11	10	9	8	7	6	5	4	3	2	1
----	----	---	---	---	---	---	---	---	---	---

11

12	11	10	9	8	7	6	5	4	3	2	1
----	----	----	---	---	---	---	---	---	---	---	---

12

13	12	11	10	9	8	7	6	5	4	3	2	1
----	----	----	----	---	---	---	---	---	---	---	---	---

13

14	13	12	11	10	9	8	7	6	5	4	3	2	1
----	----	----	----	----	---	---	---	---	---	---	---	---	---

14

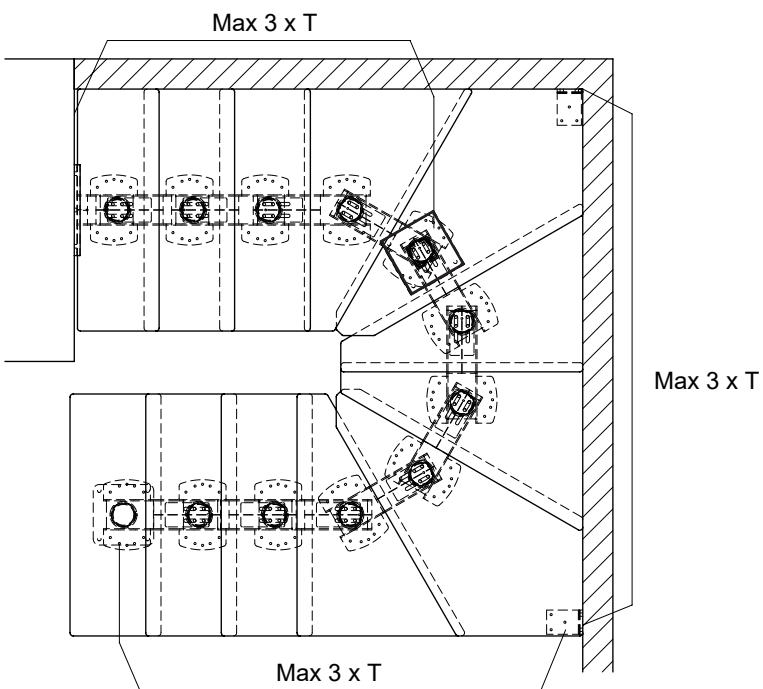
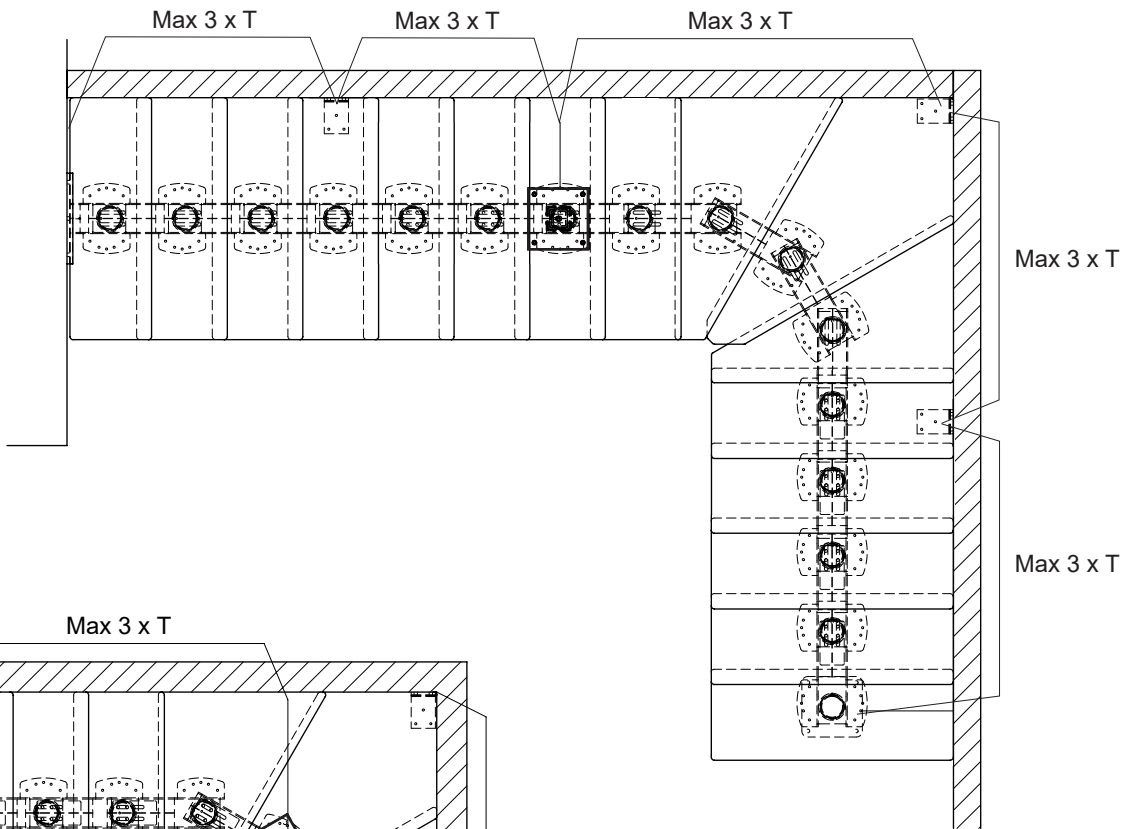
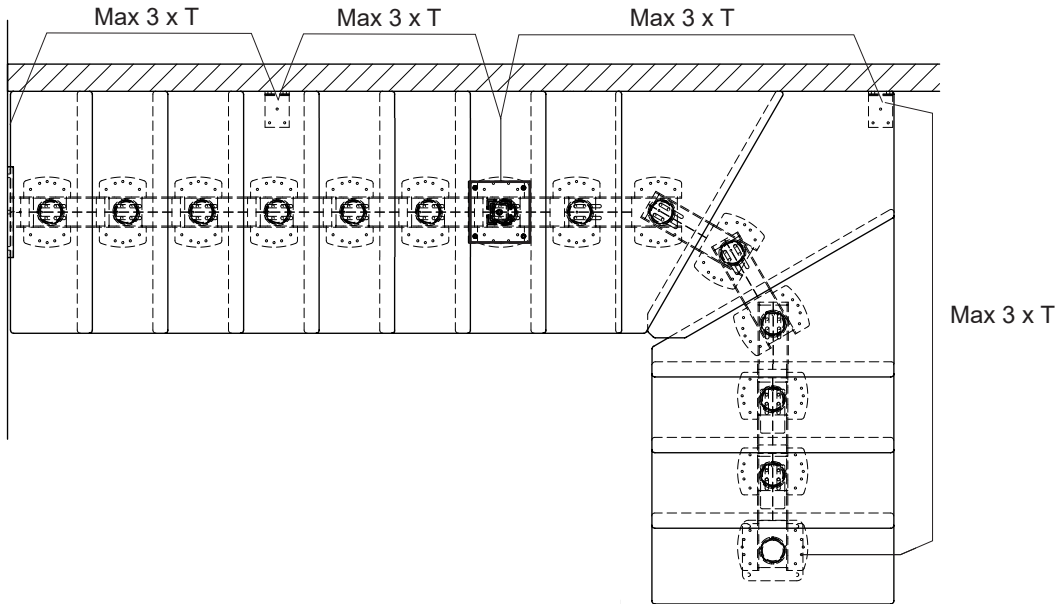
15	14	13	12	11	10	9	8	7	6	5	4	3	2	1
----	----	----	----	----	----	---	---	---	---	---	---	---	---	---

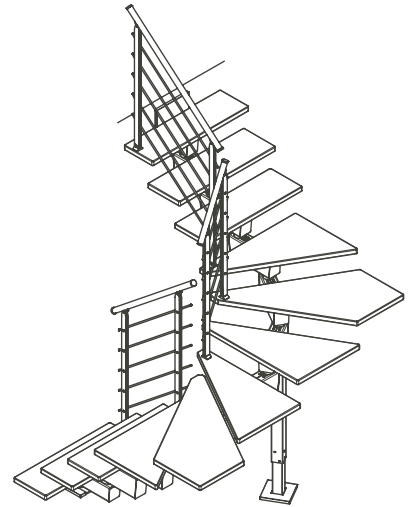
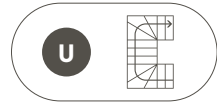
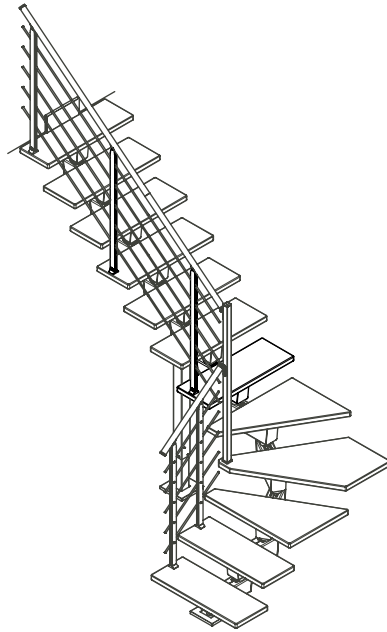
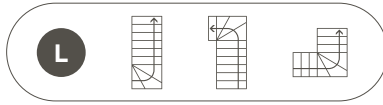
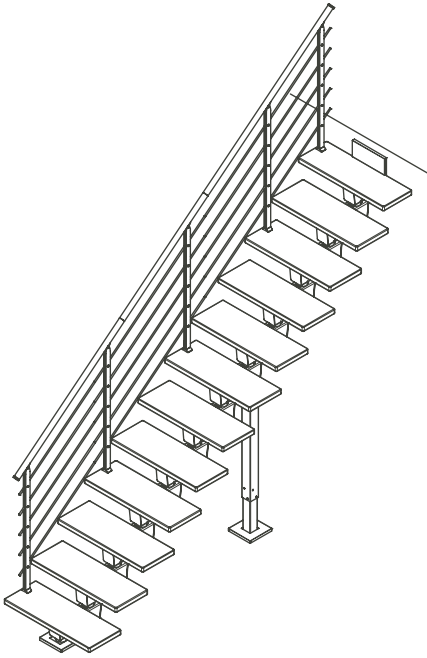
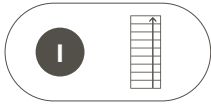
15

16	15	14	13	12	11	10	9	8	7	6	5	4	3	2	1
----	----	----	----	----	----	----	---	---	---	---	---	---	---	---	---

16

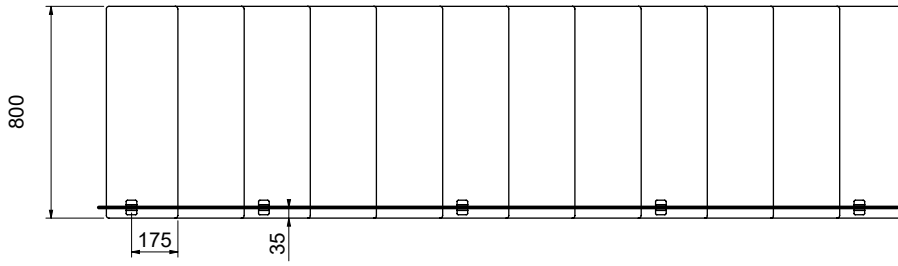
29b



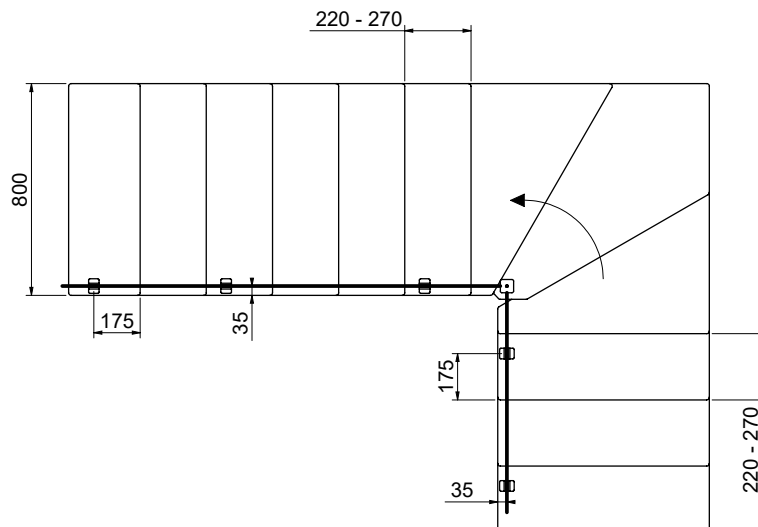
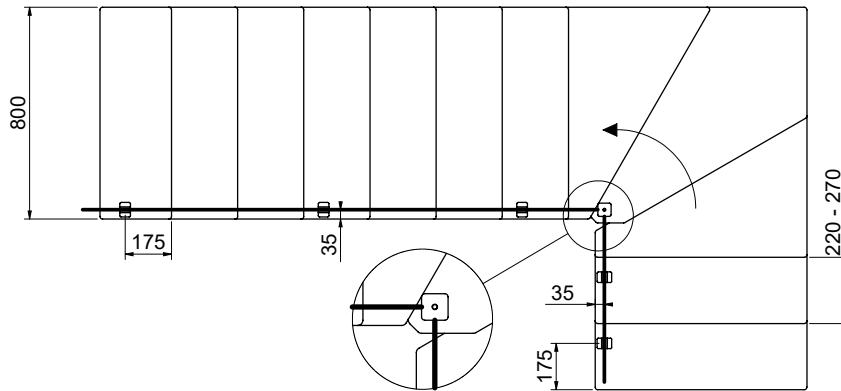
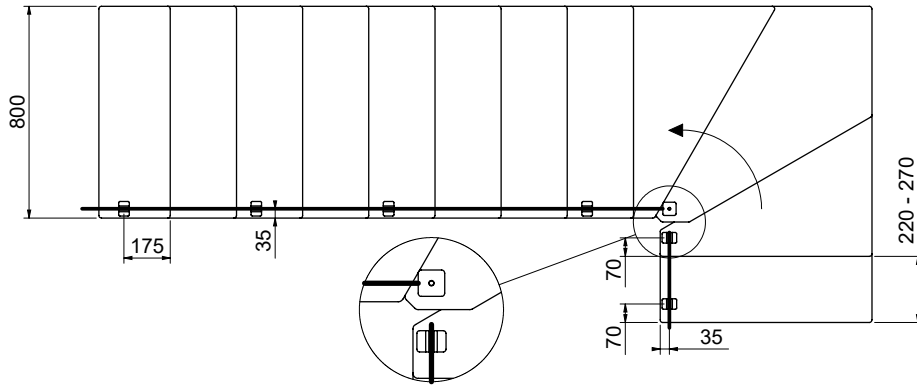
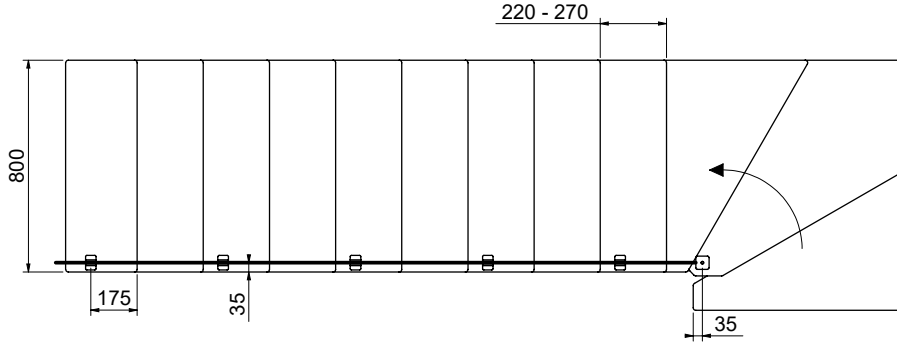


DUBAI 80

I

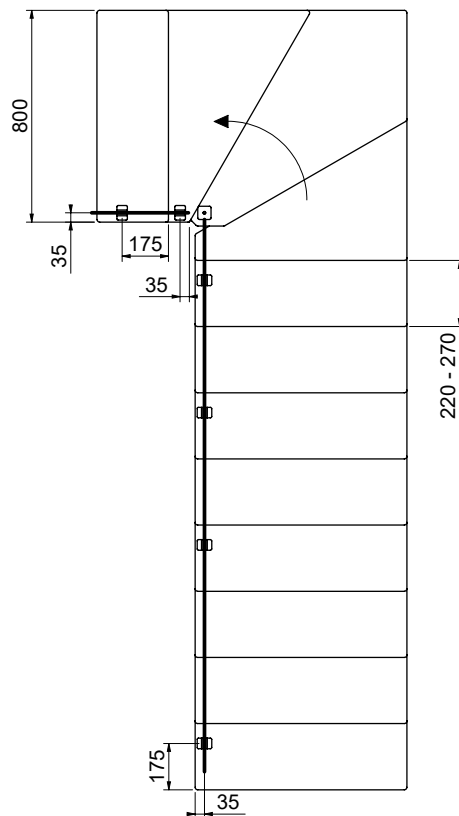
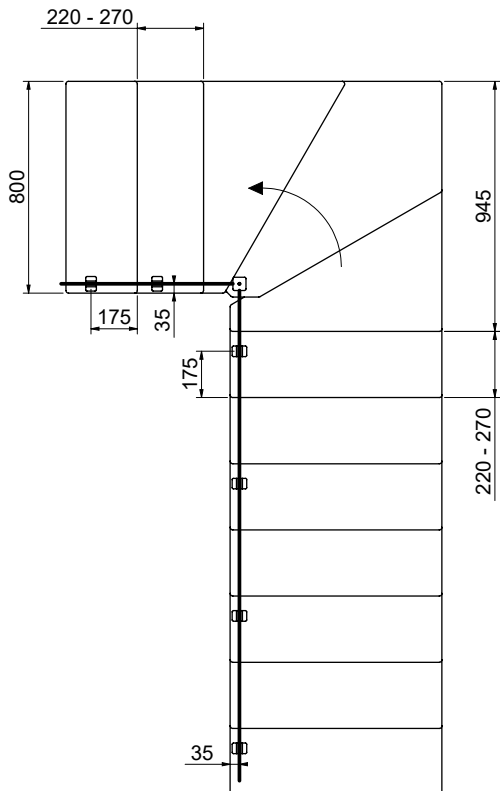
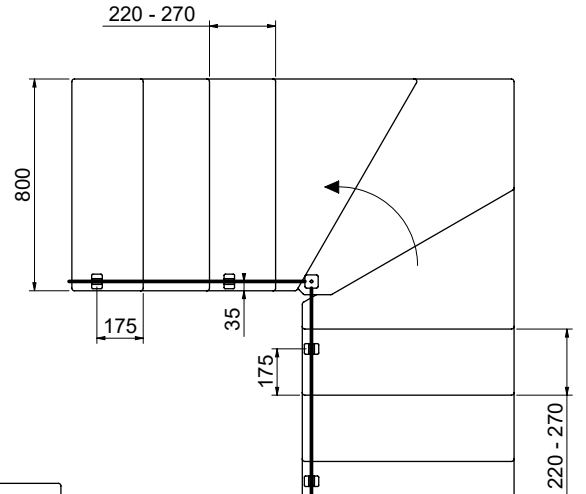
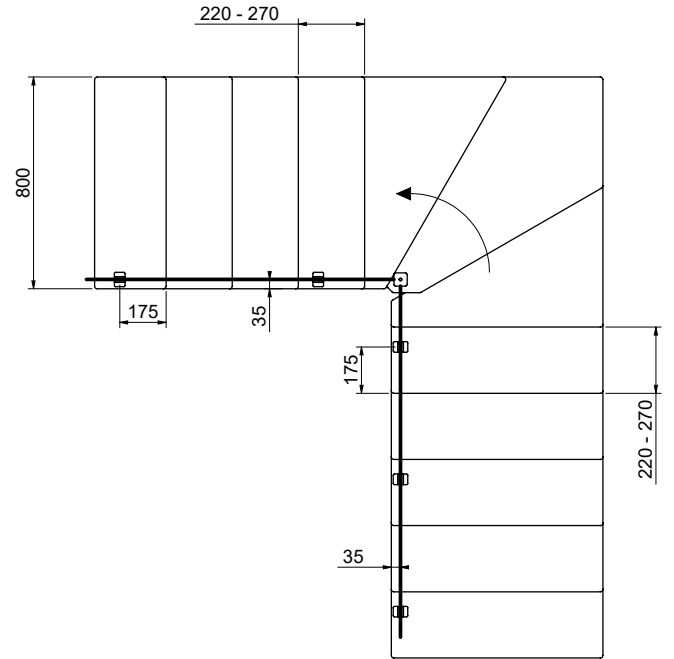
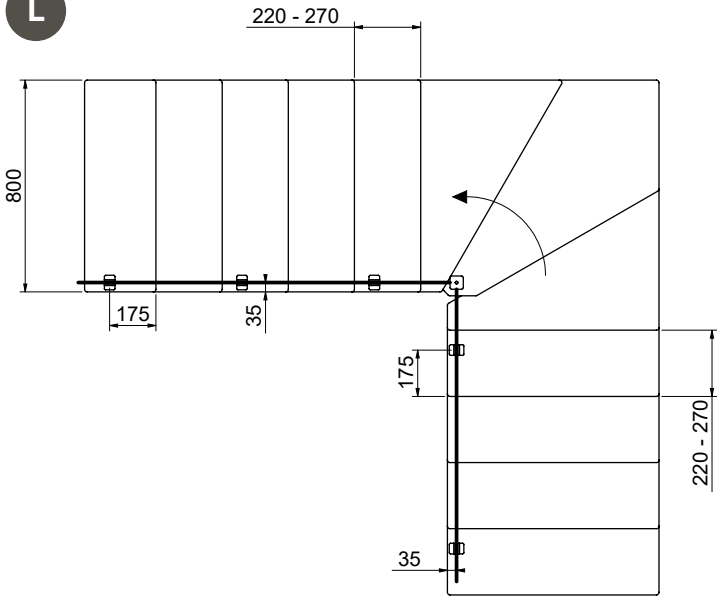


L



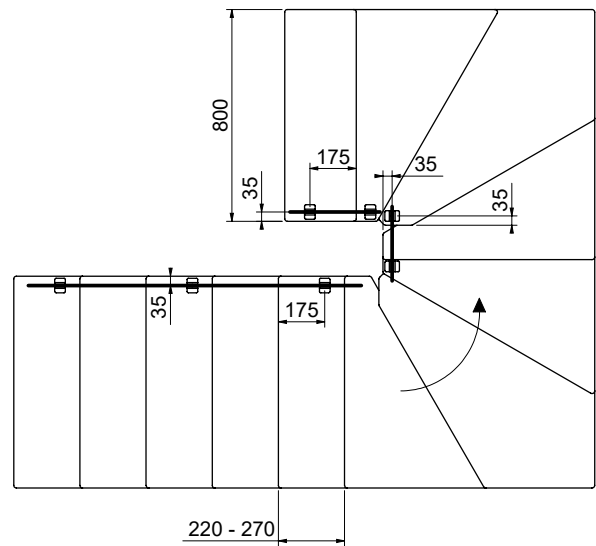
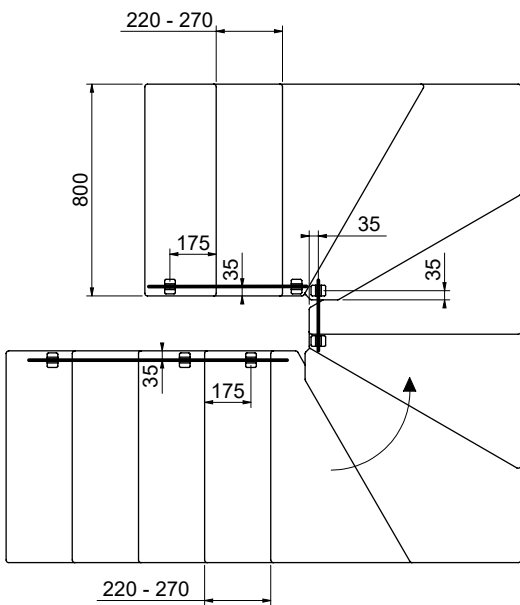
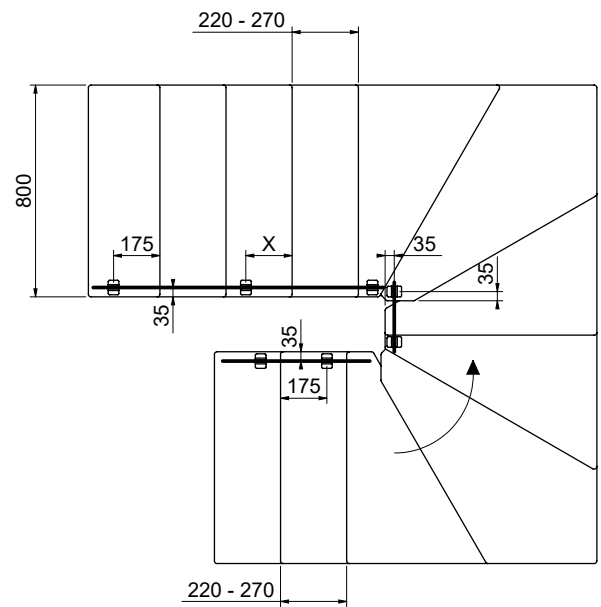
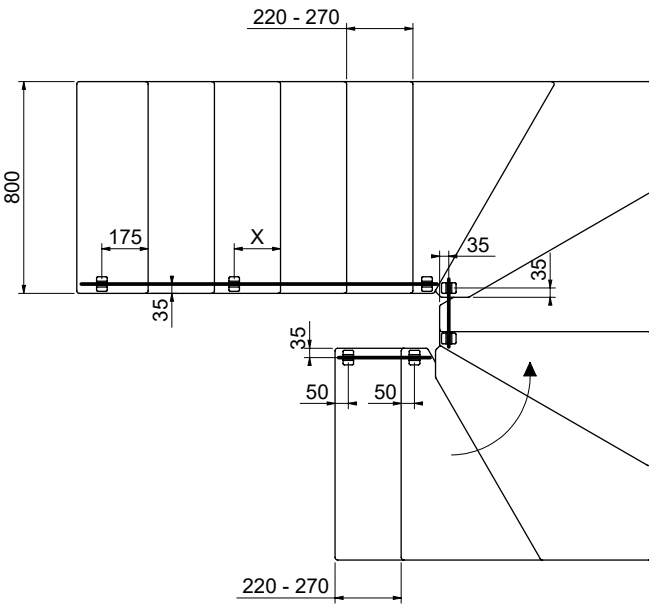
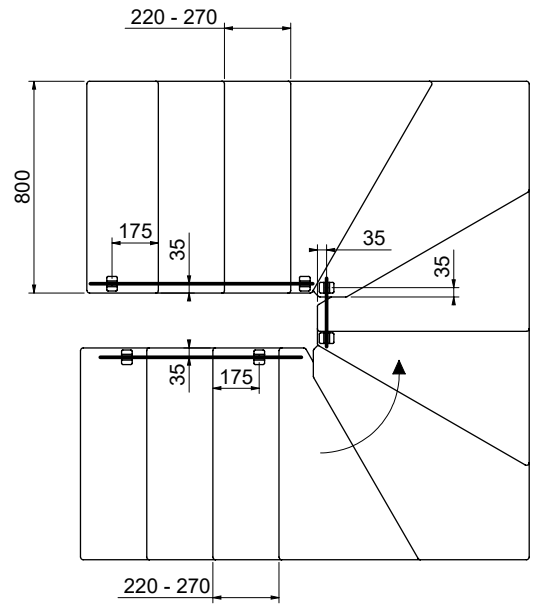
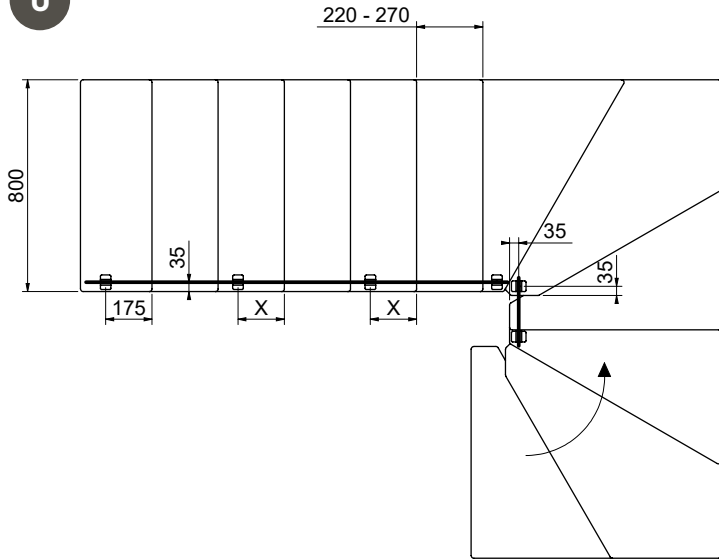
DUBAI 80

L



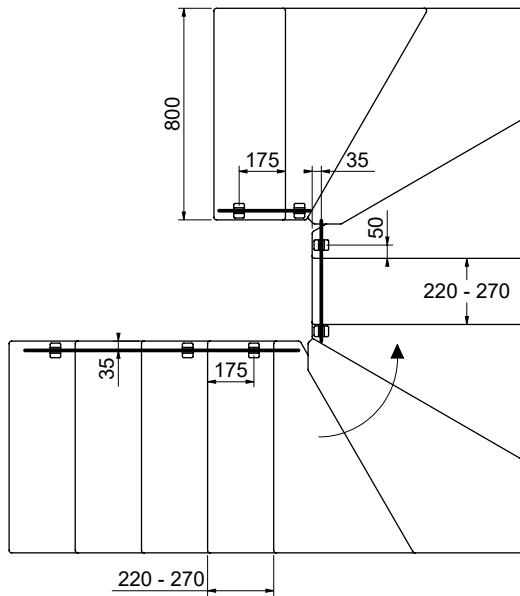
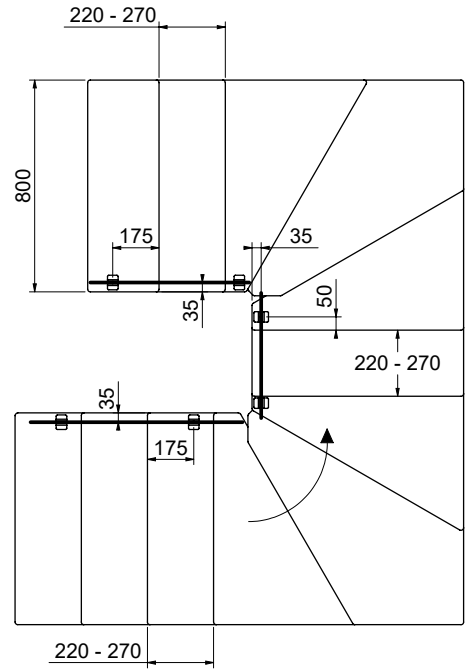
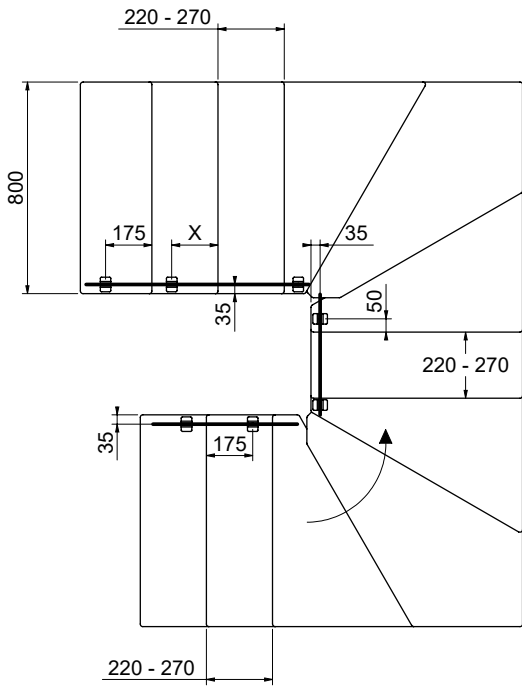
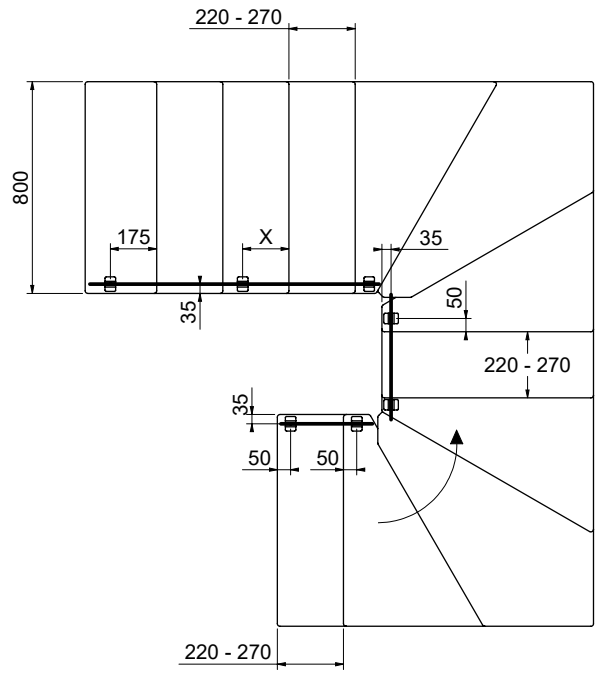
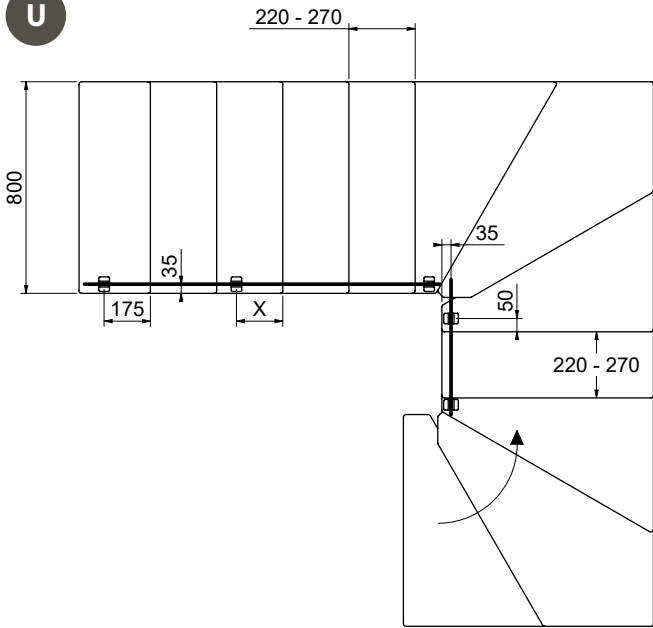
DUBAI 80

U



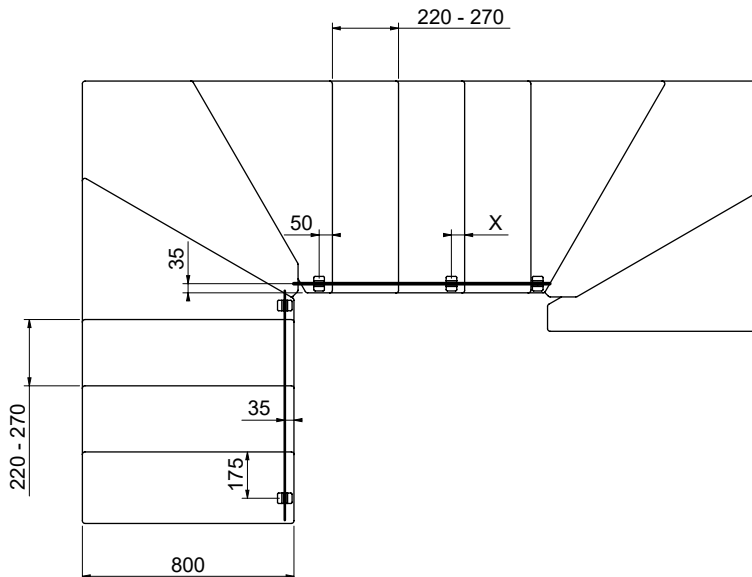
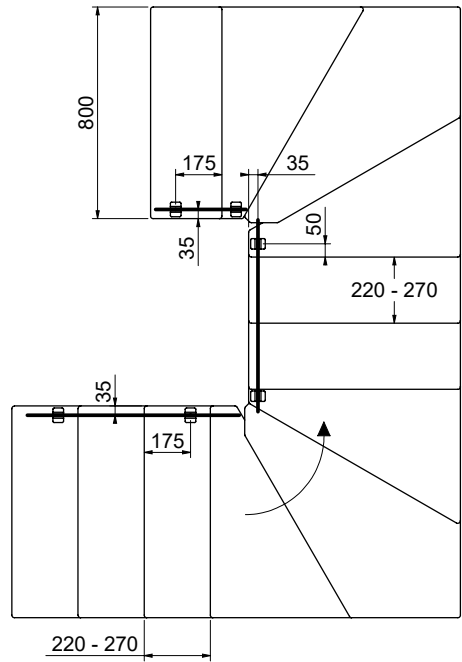
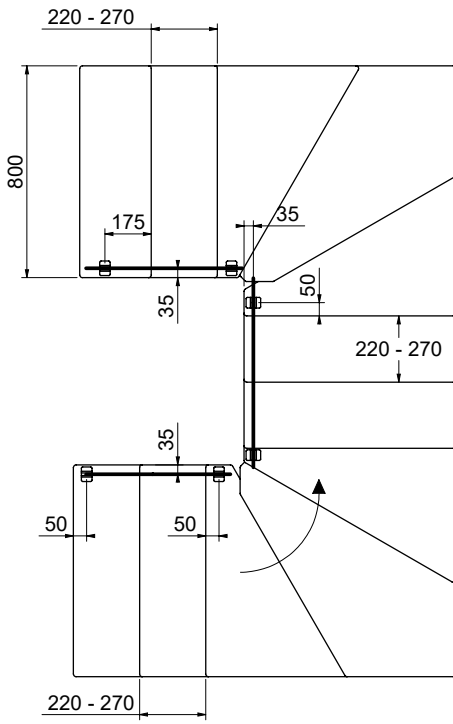
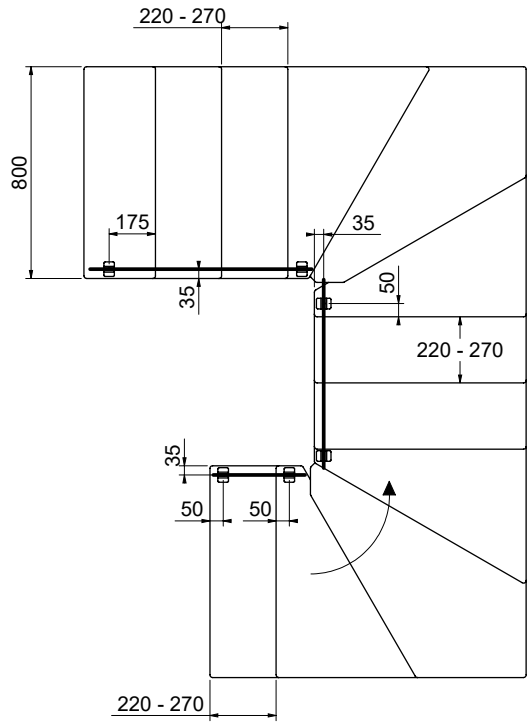
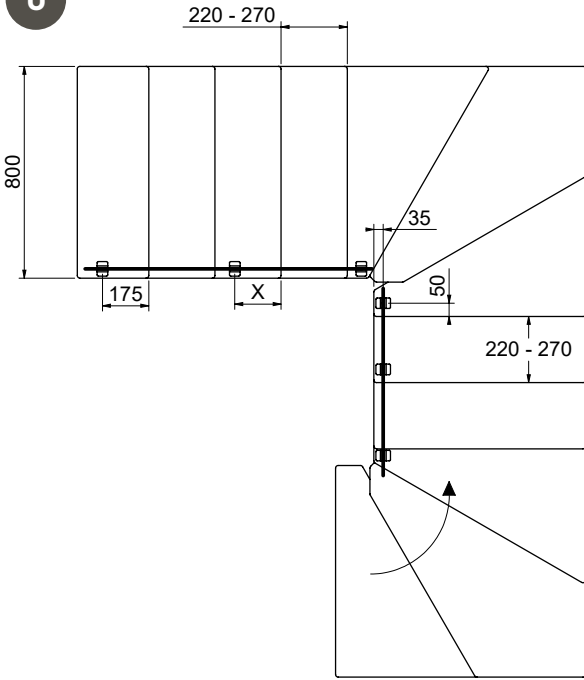
DUBAI 80

U



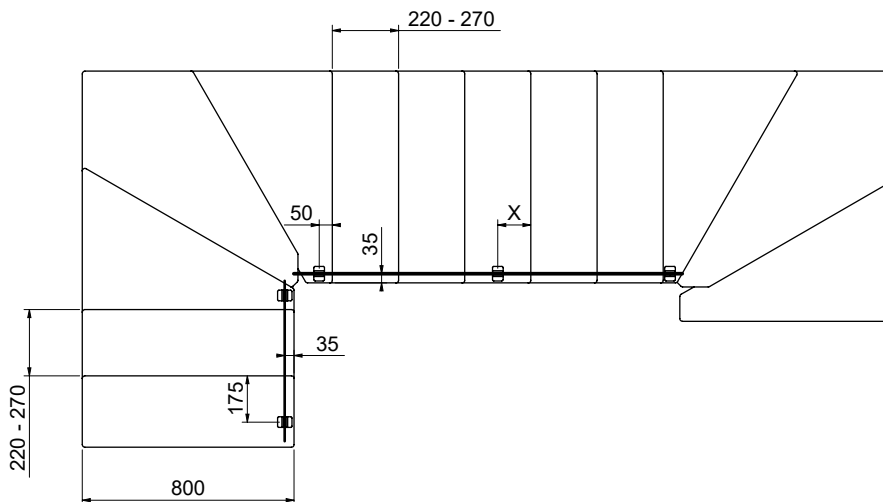
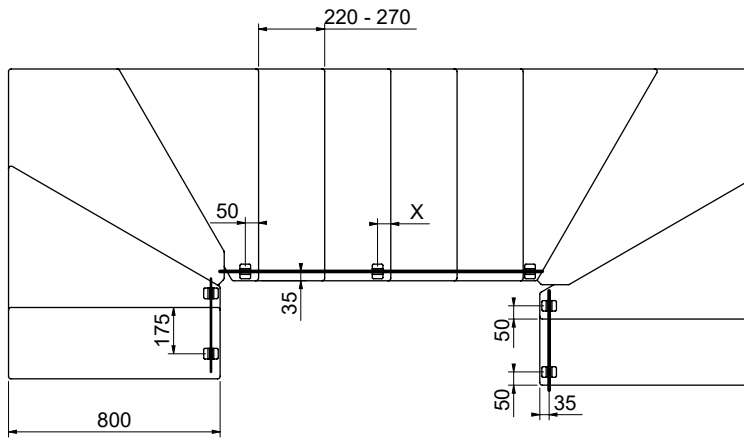
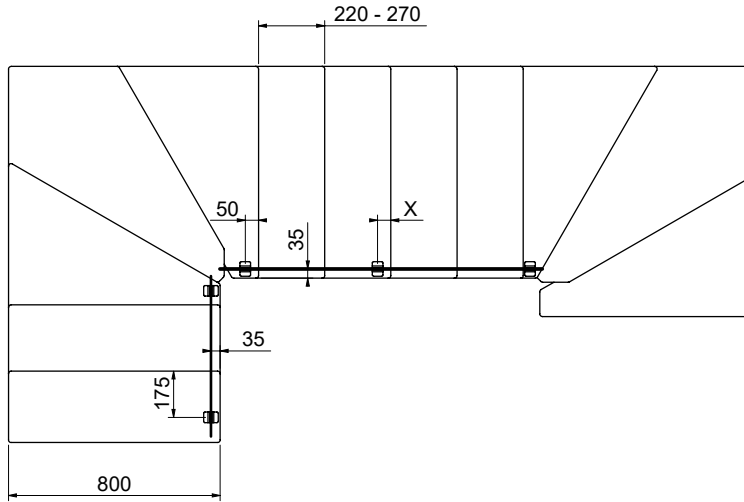
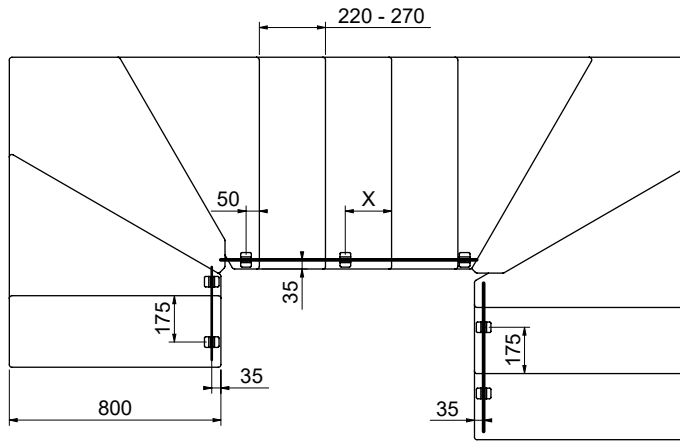
DUBAI 80

U



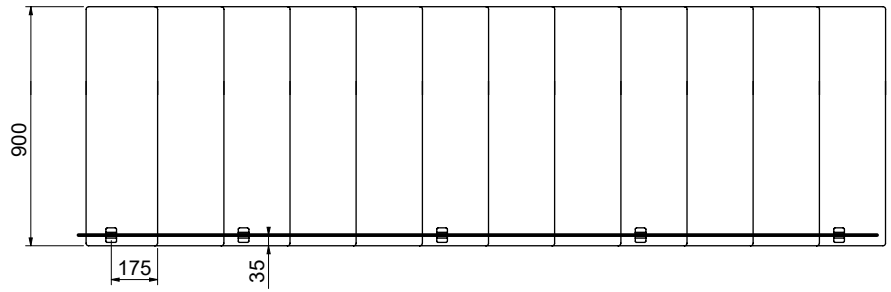
DUBAI 80

U

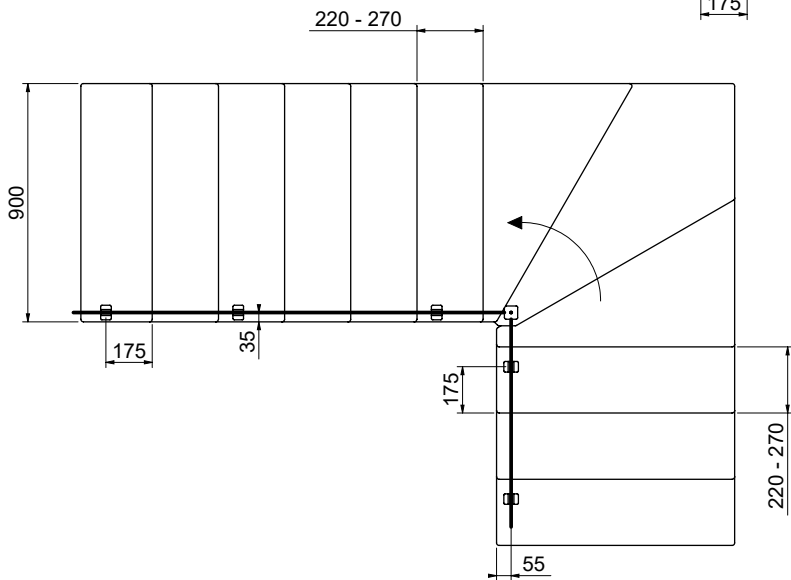
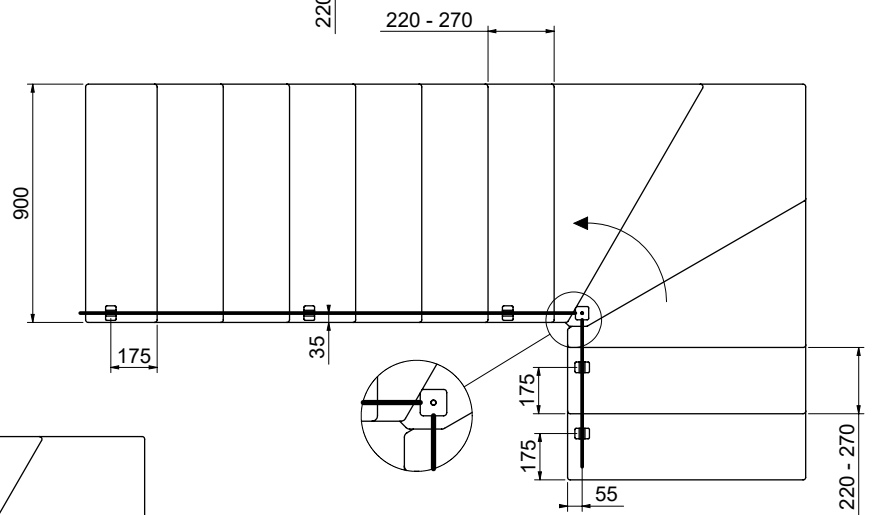
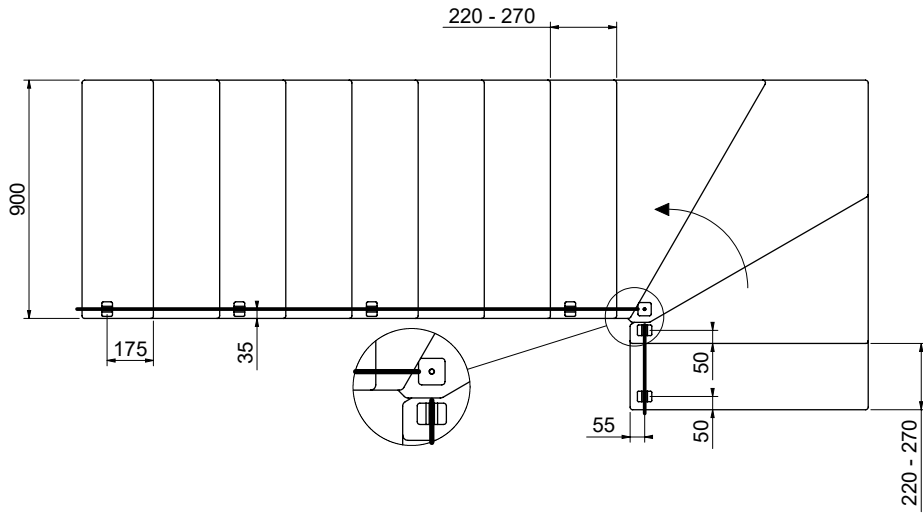
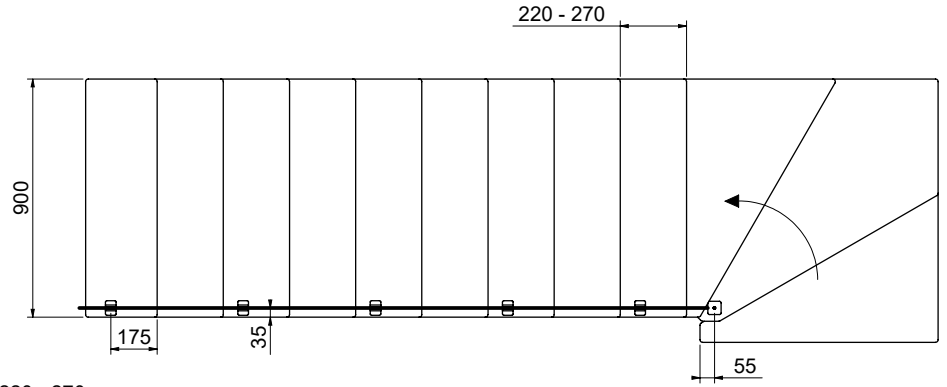


DUBAI 90

I

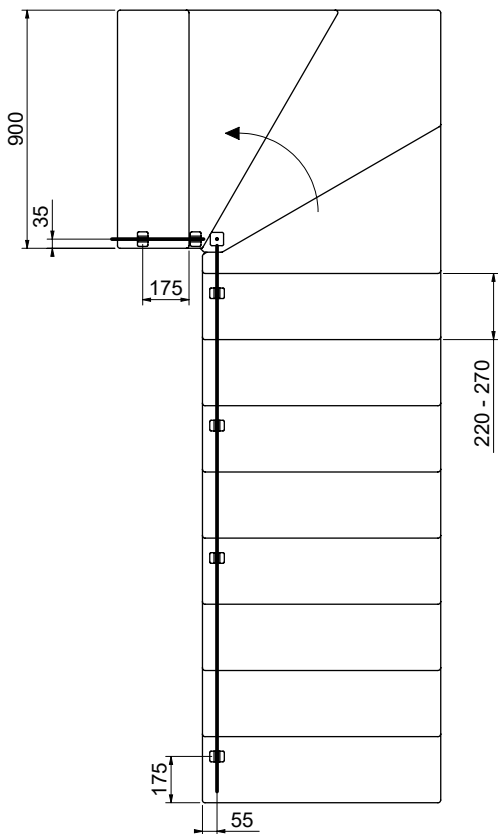
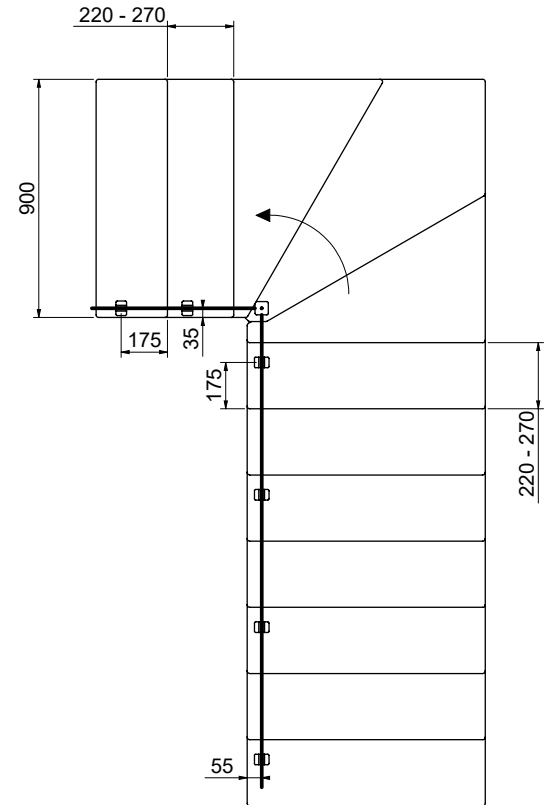
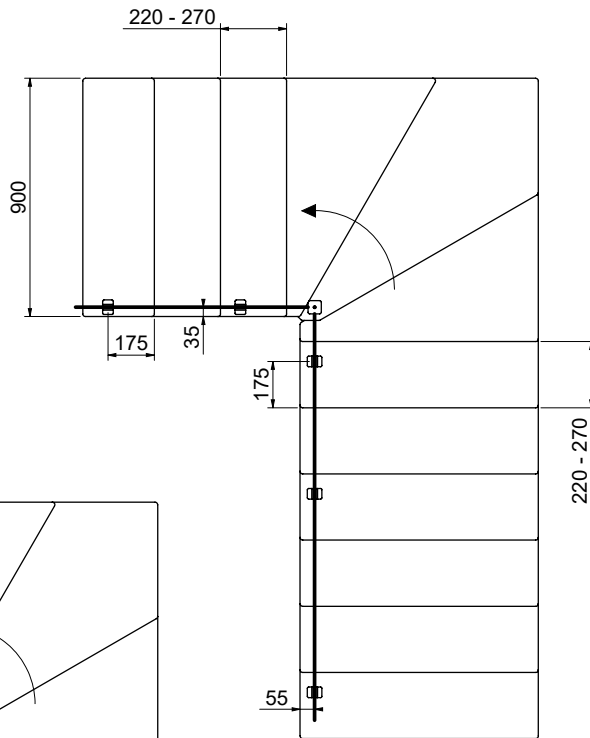
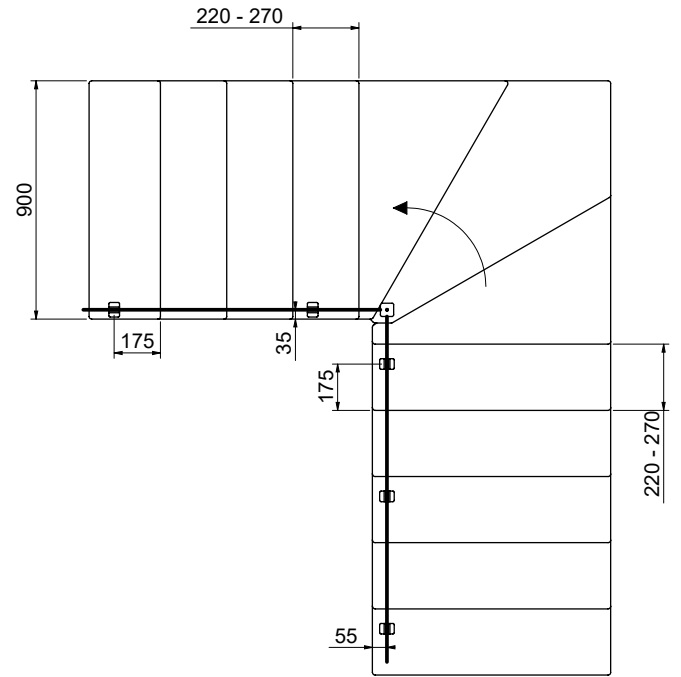
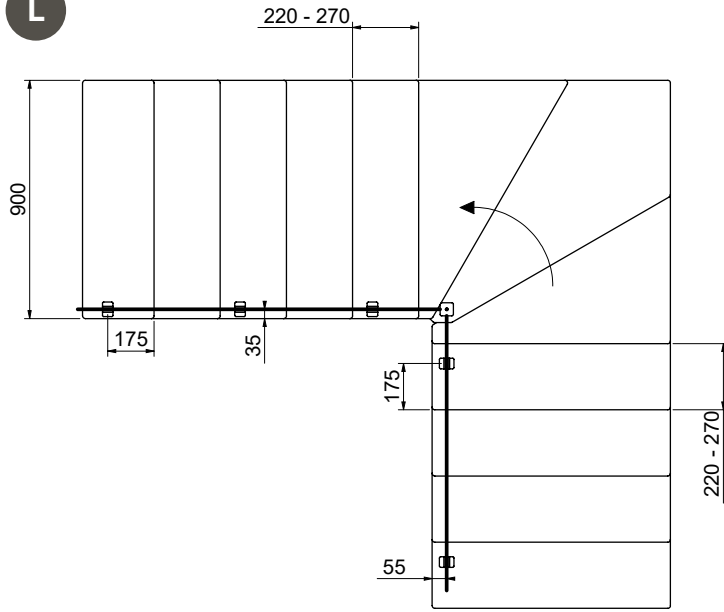


L



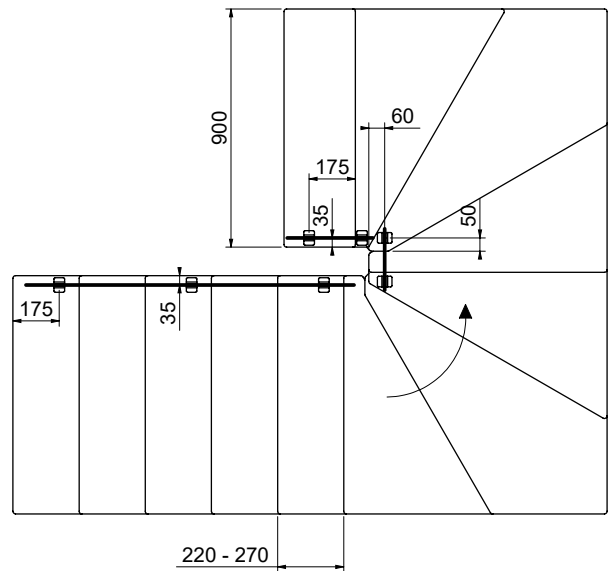
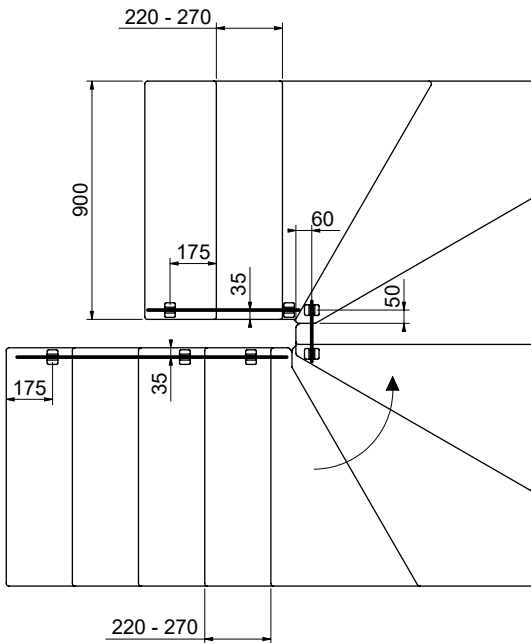
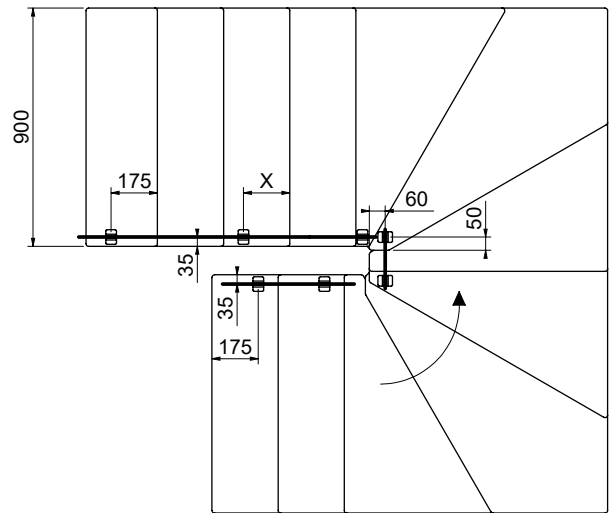
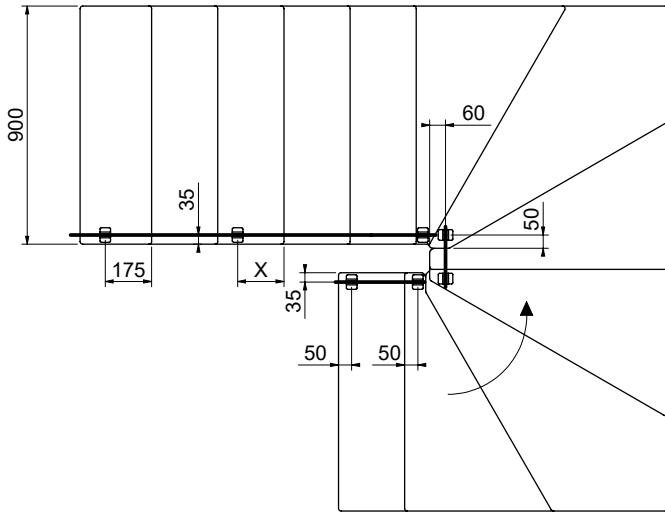
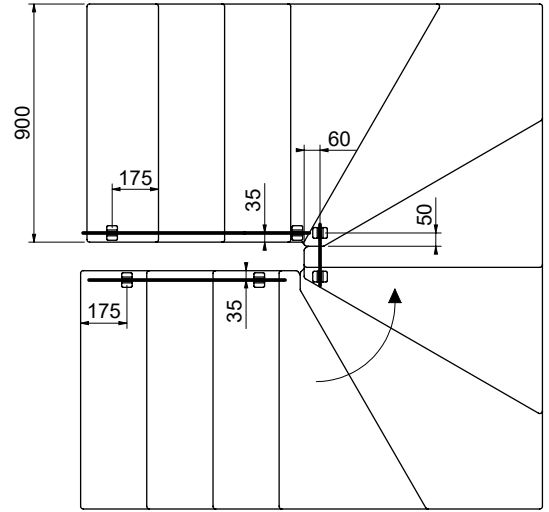
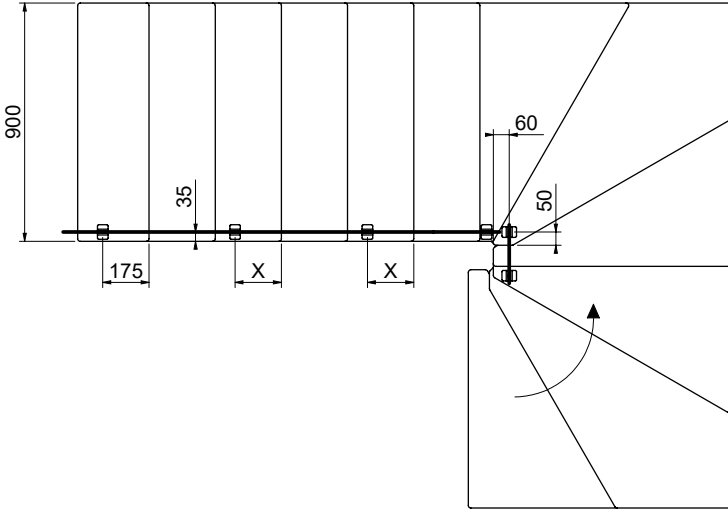
DUBAI 90

L



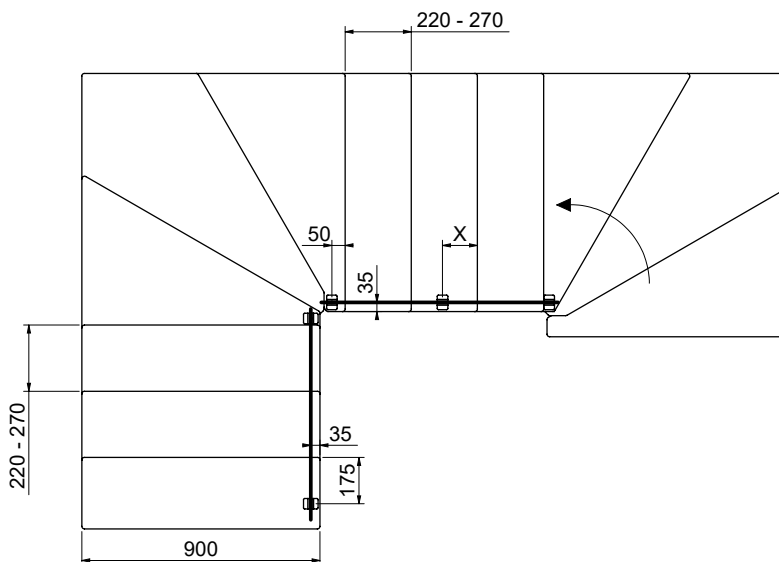
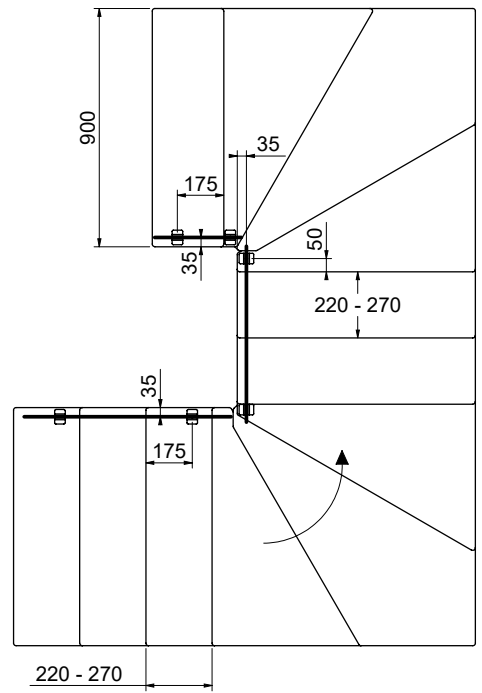
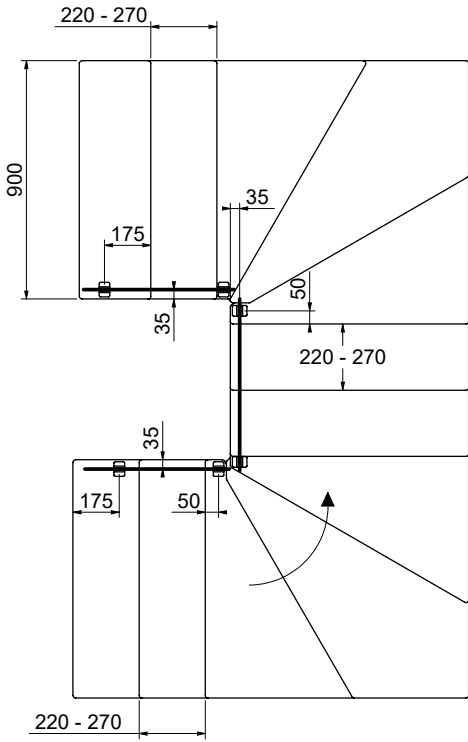
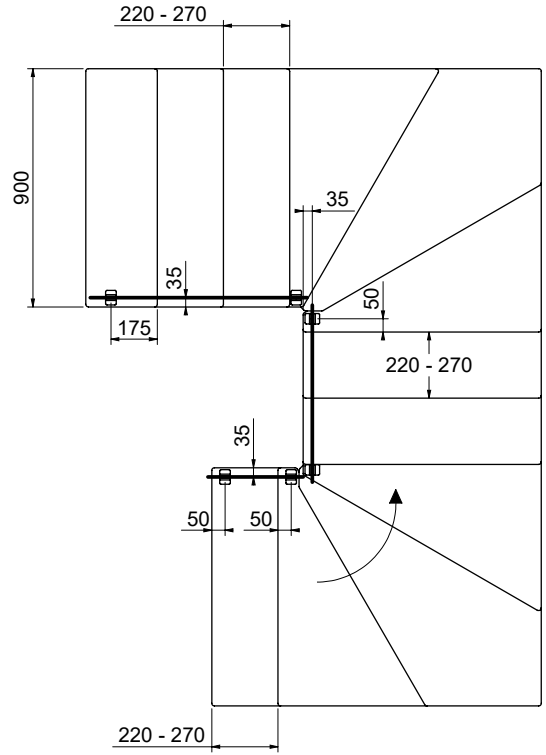
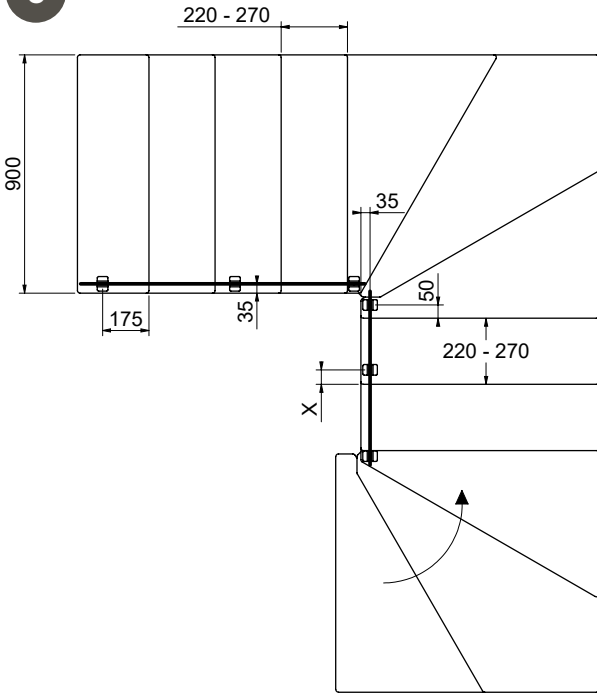
DUBAI 90

U



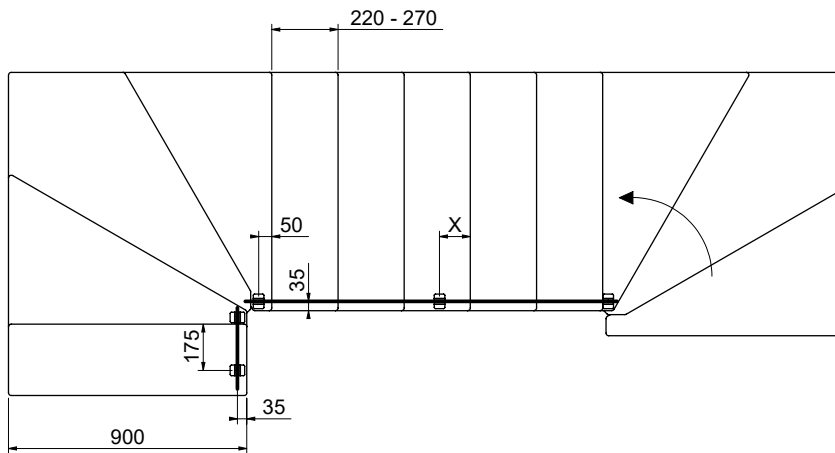
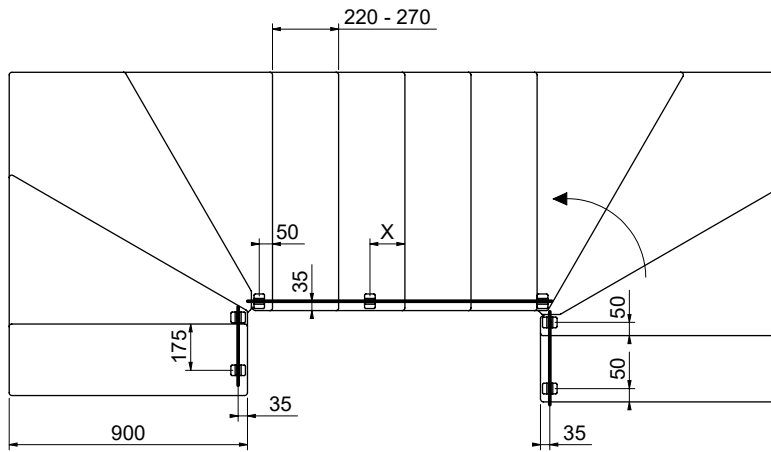
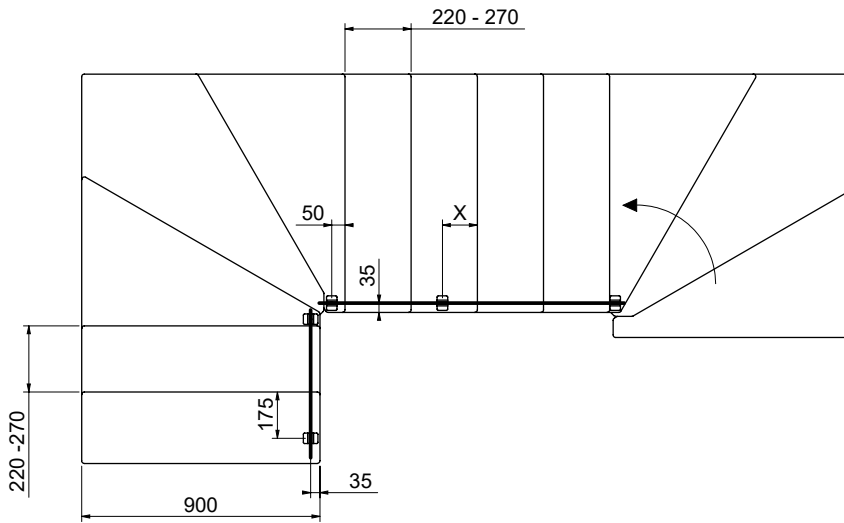
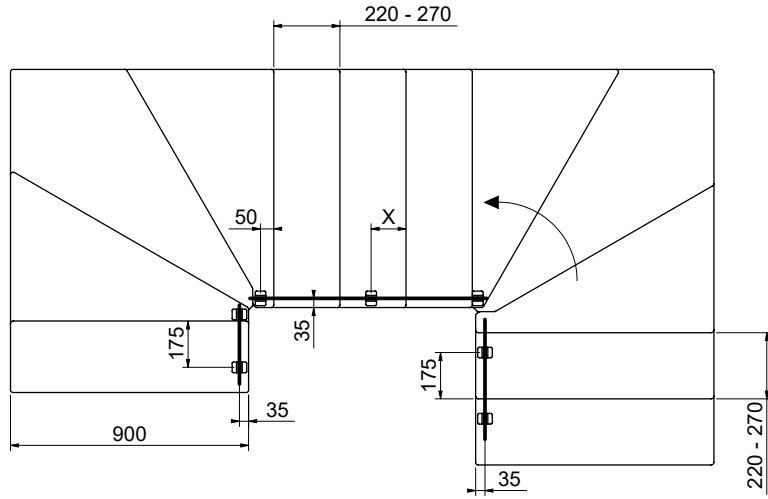
DUBAI 90

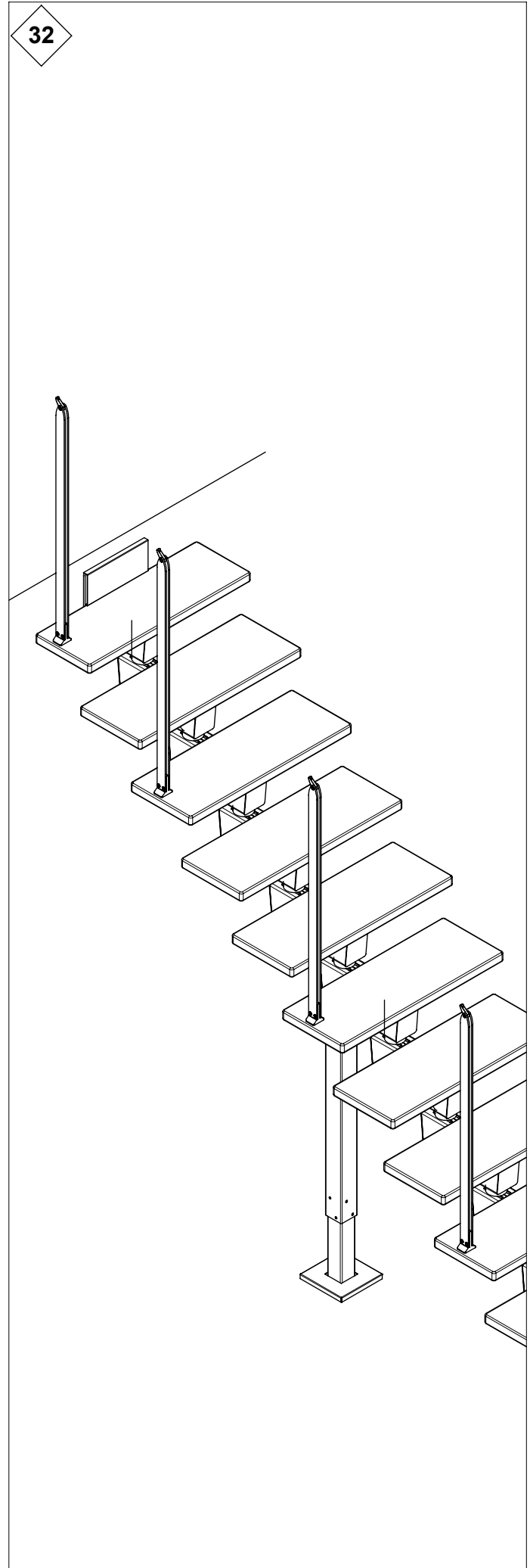
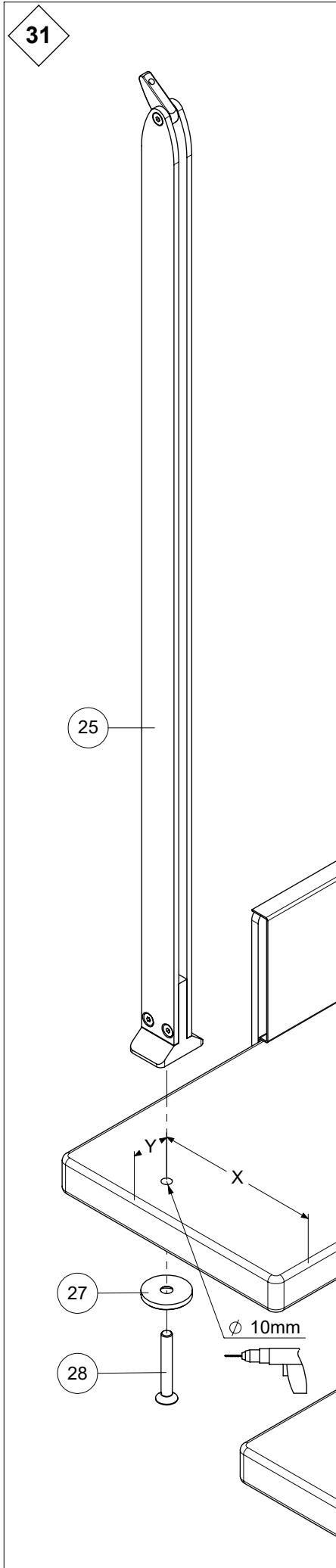
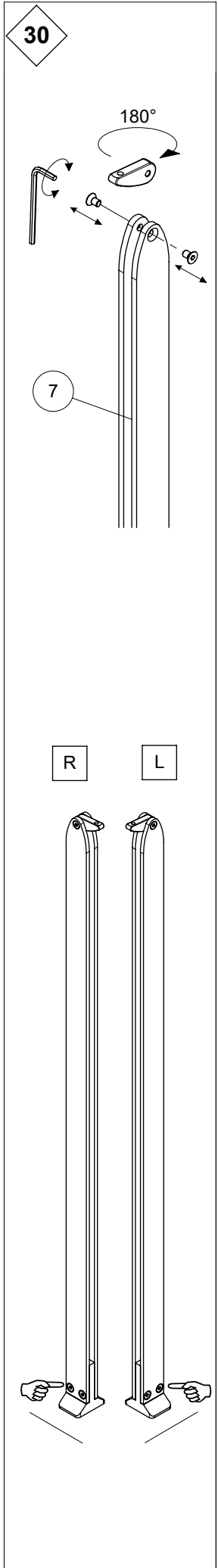
U



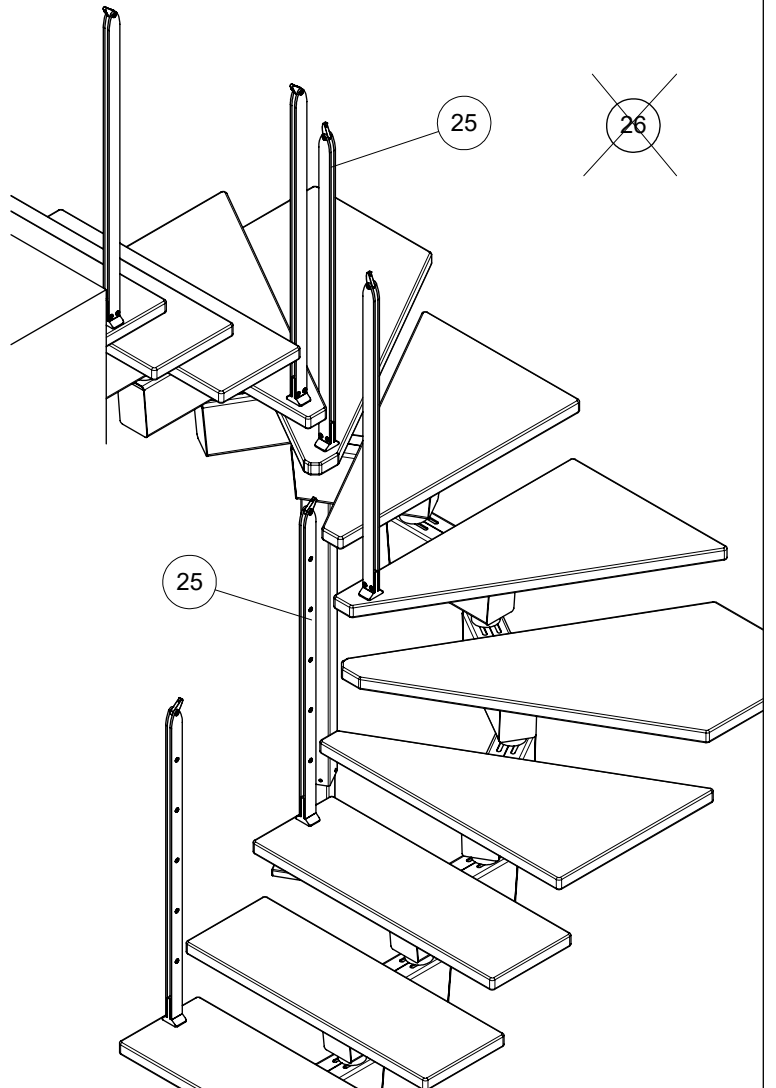
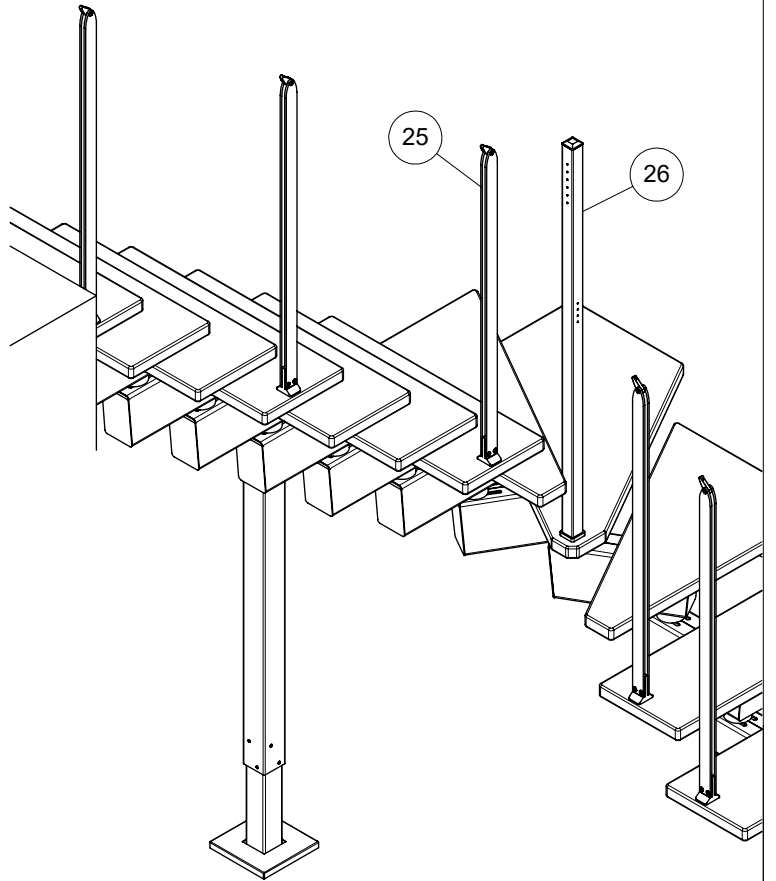
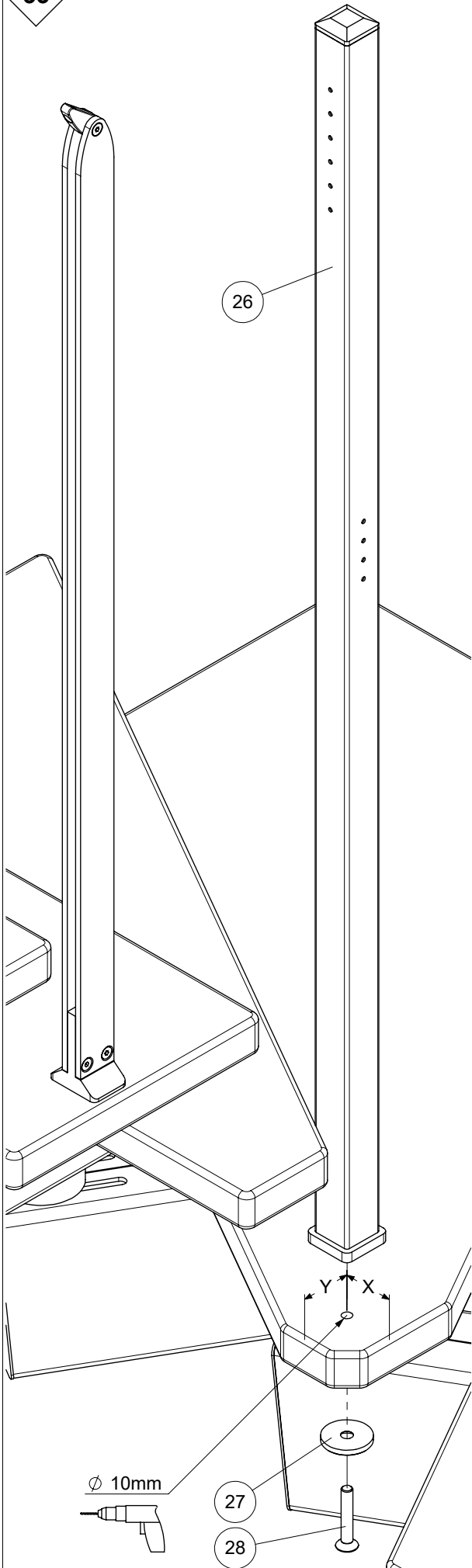
DUBAI 90

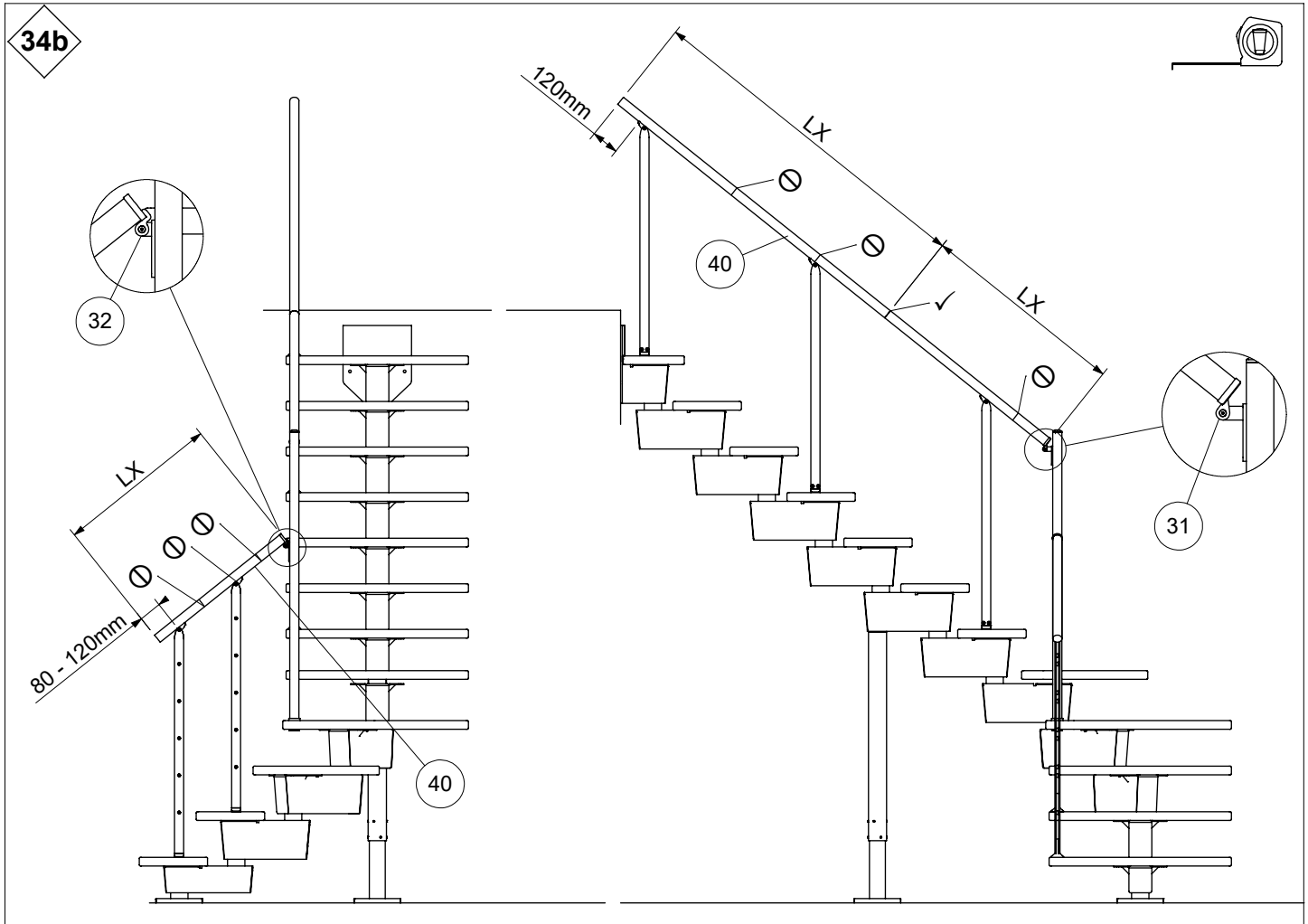
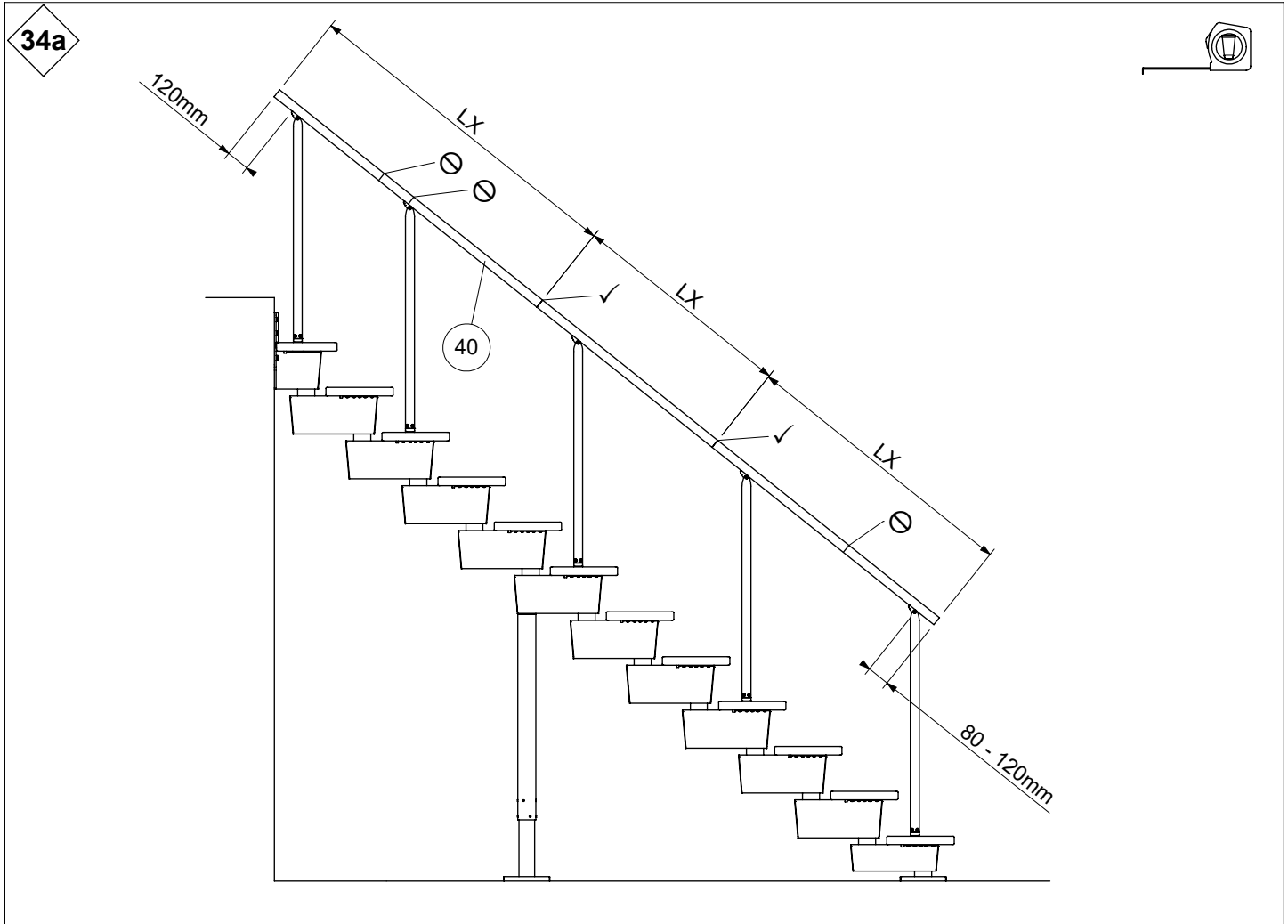
U



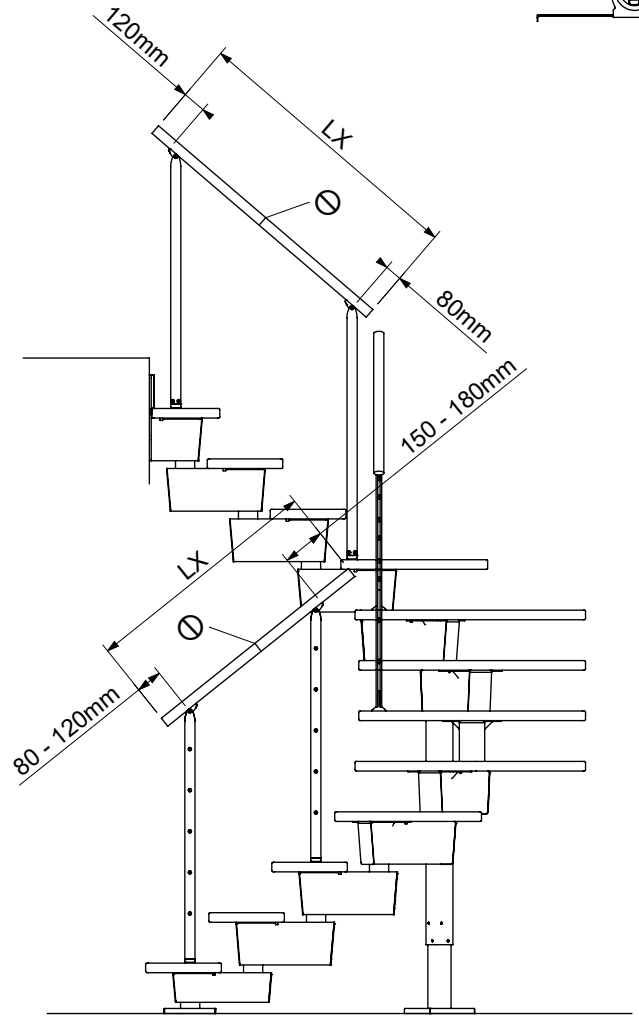
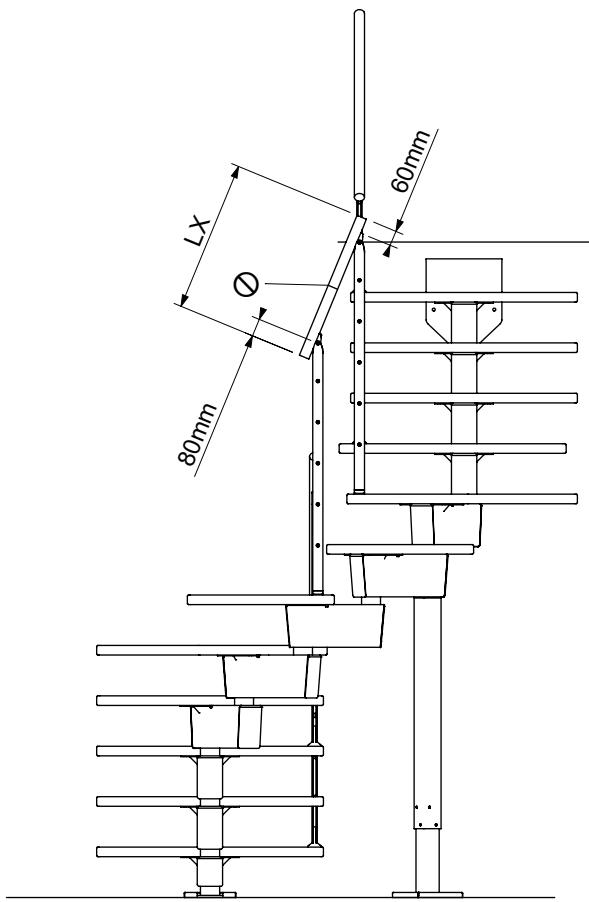


33

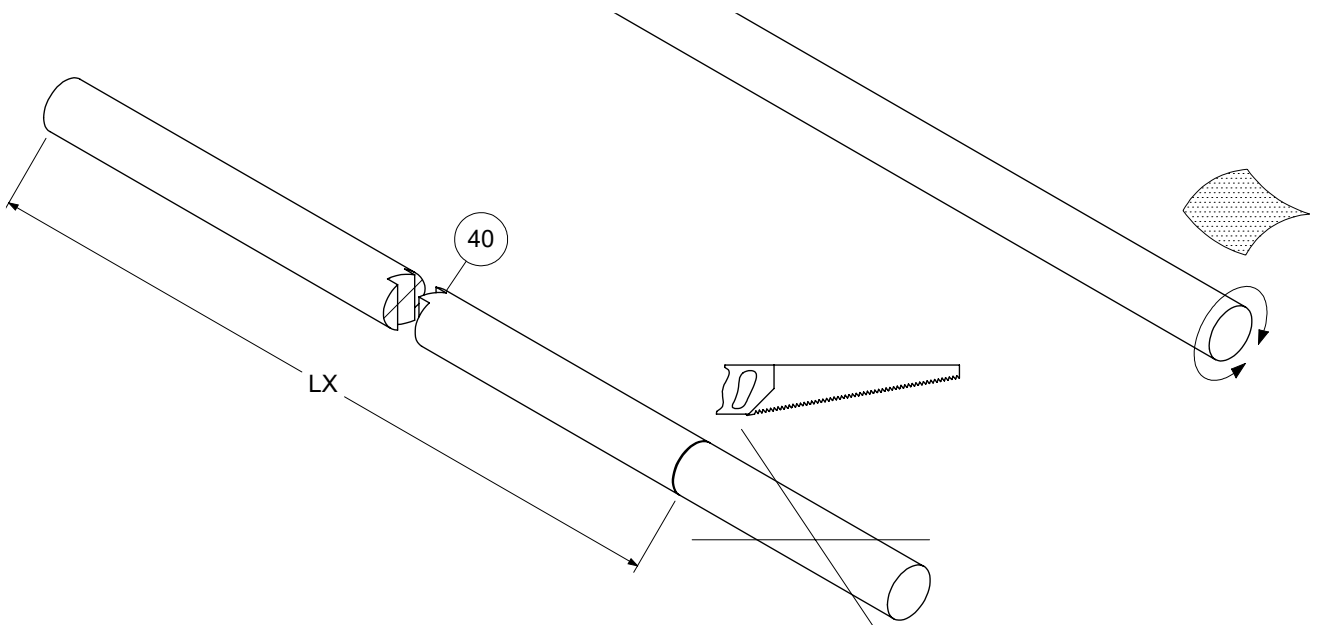


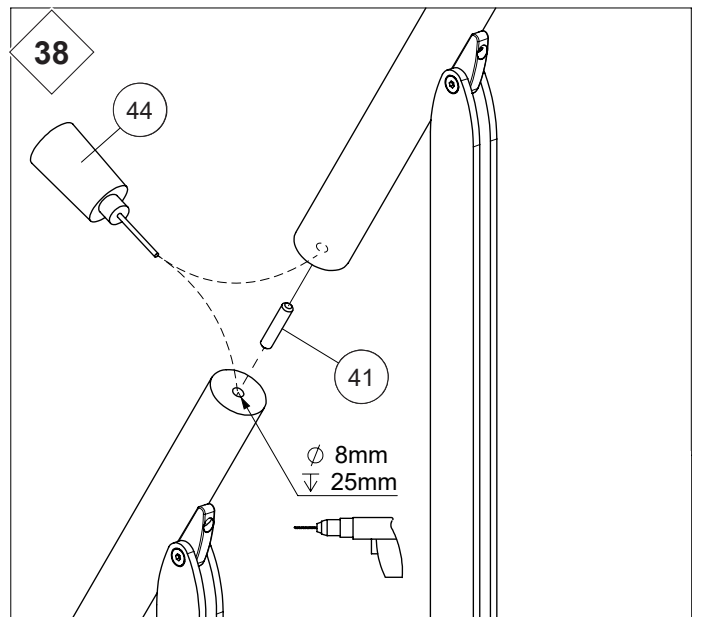
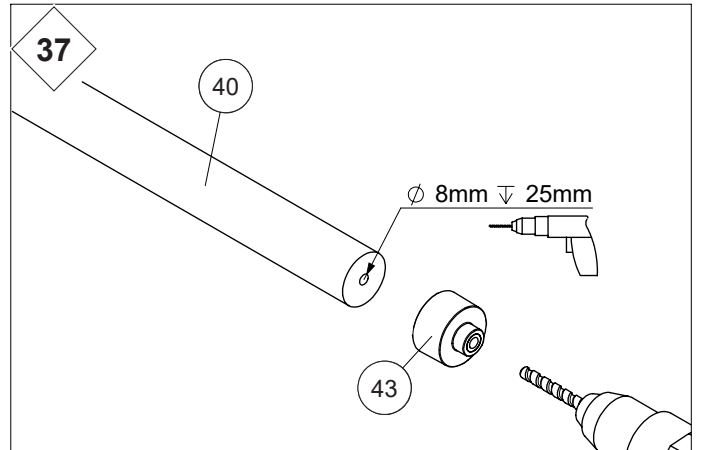
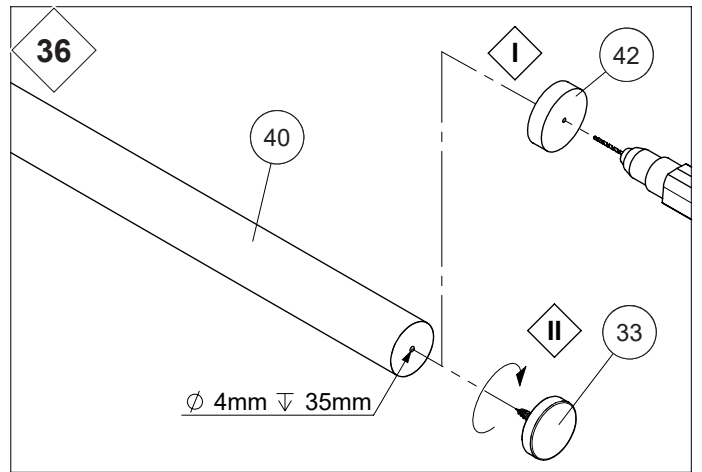
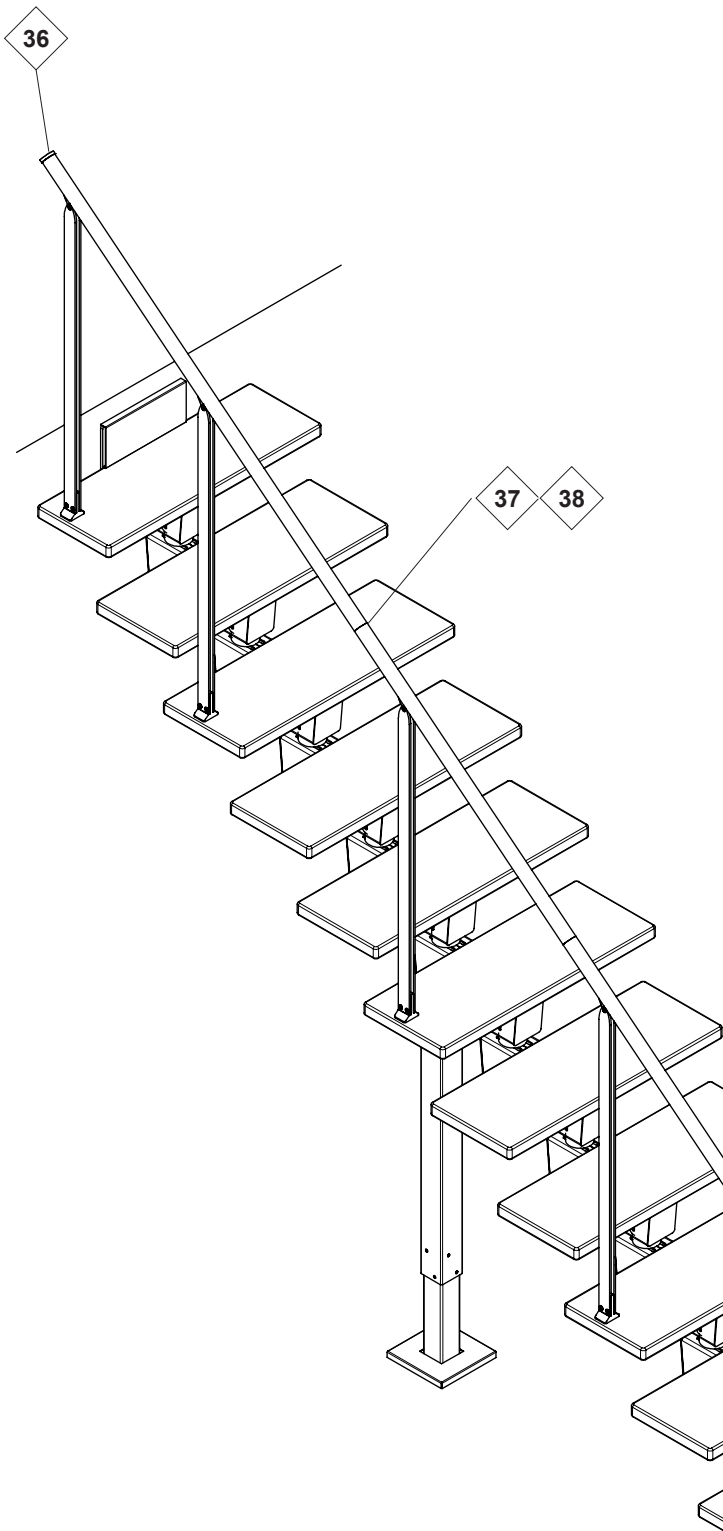


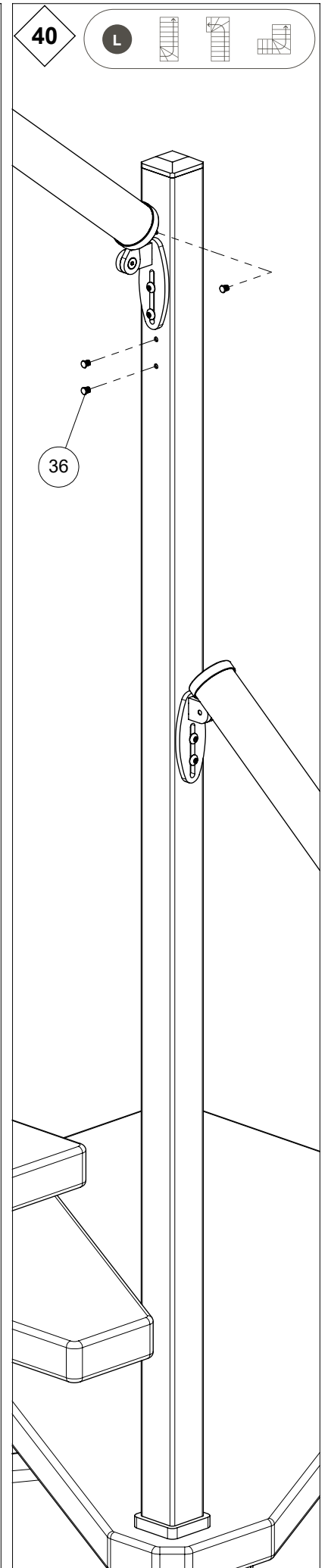
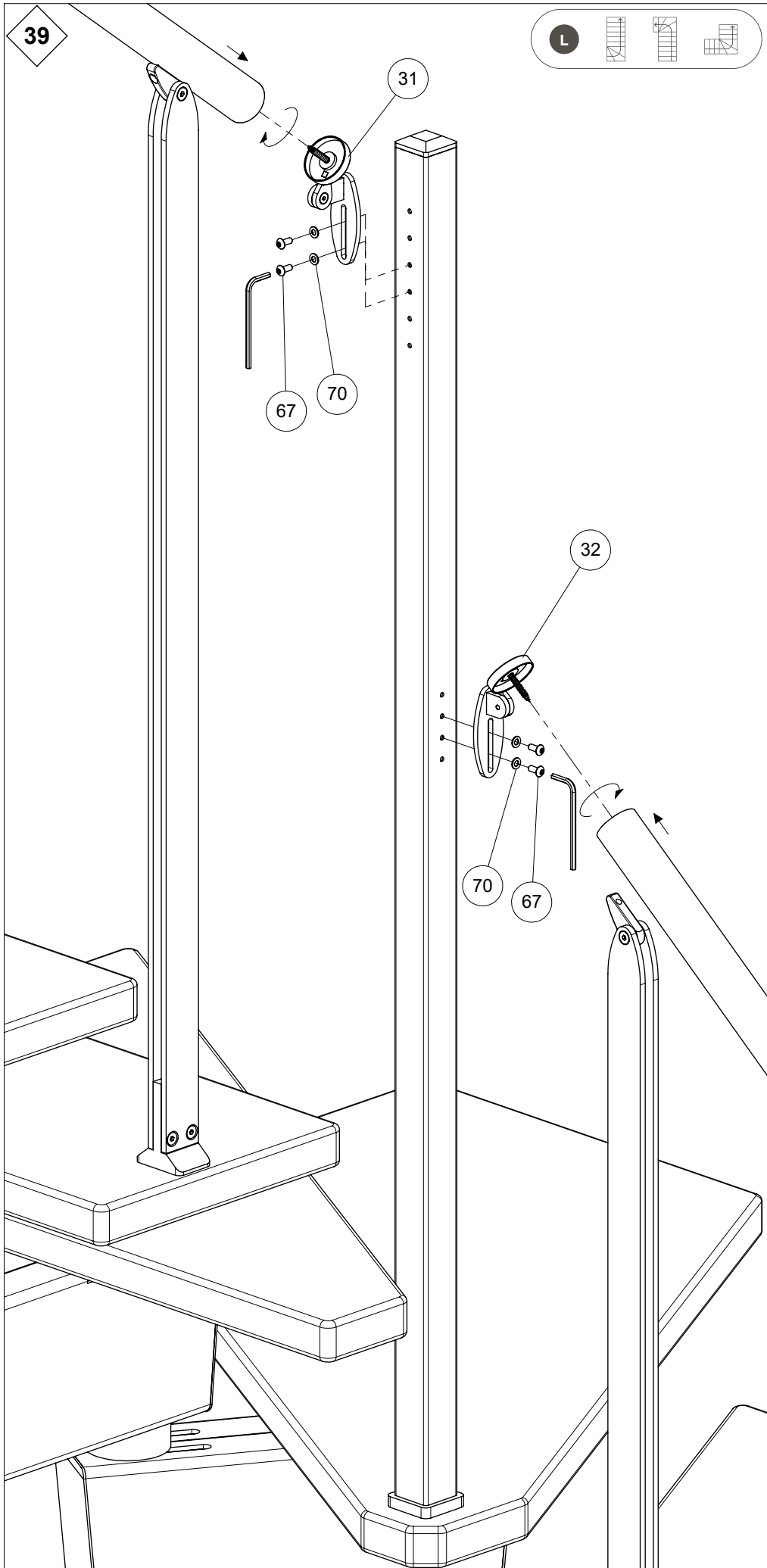
34c

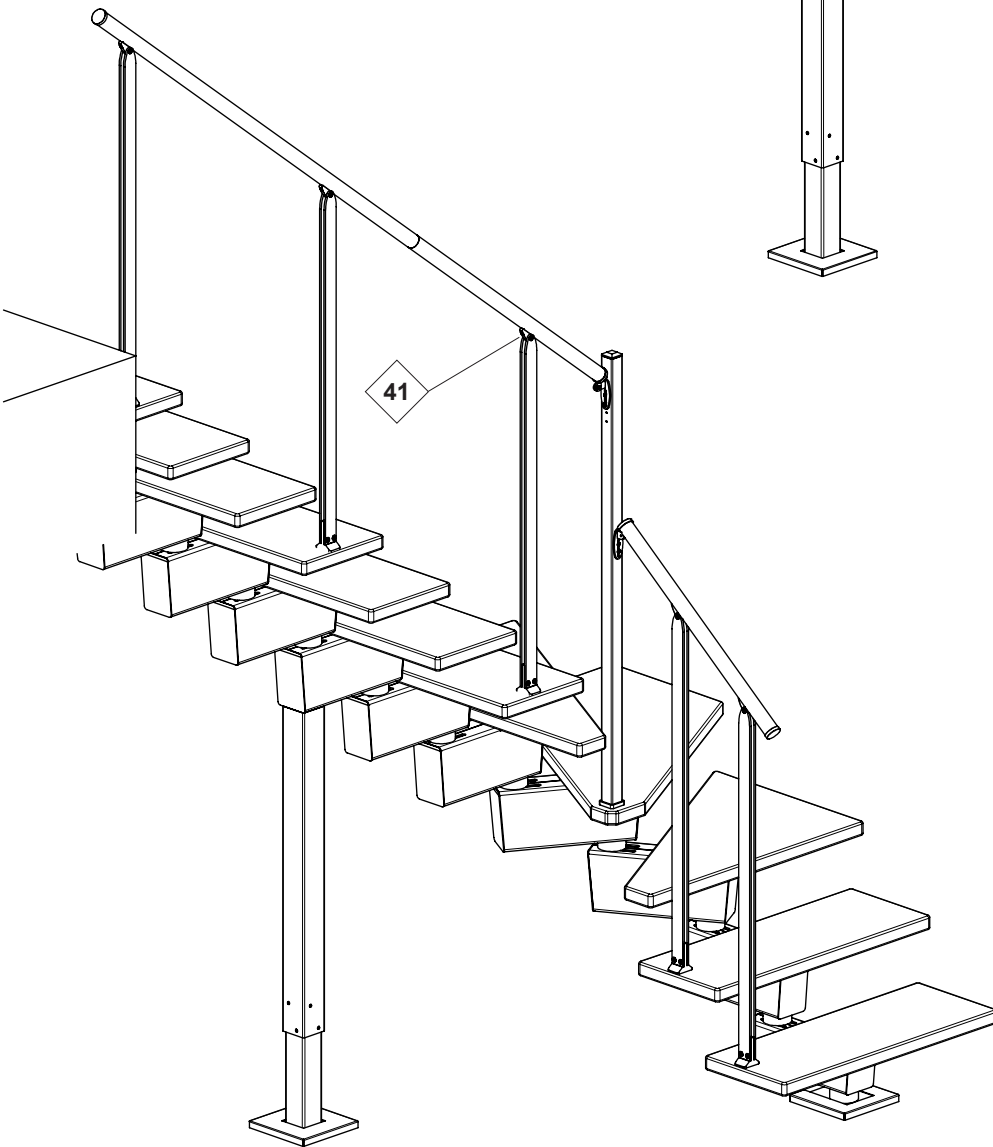
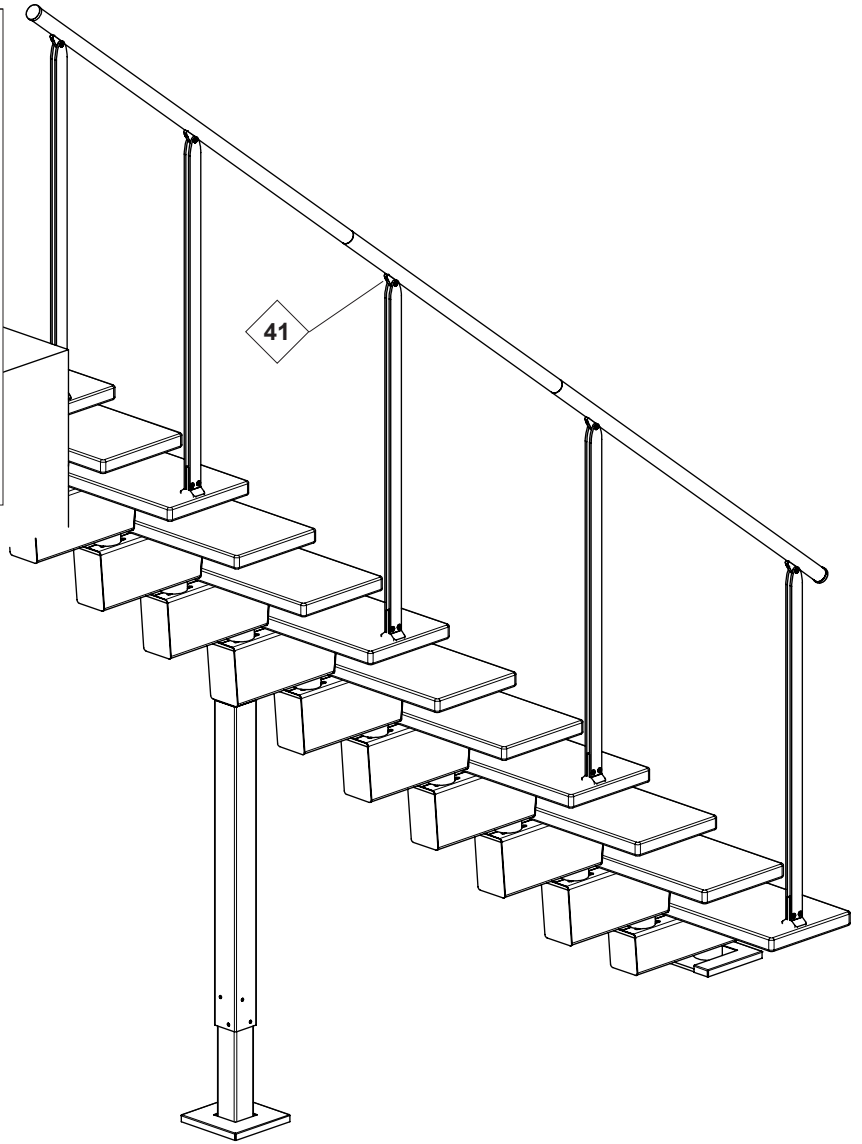
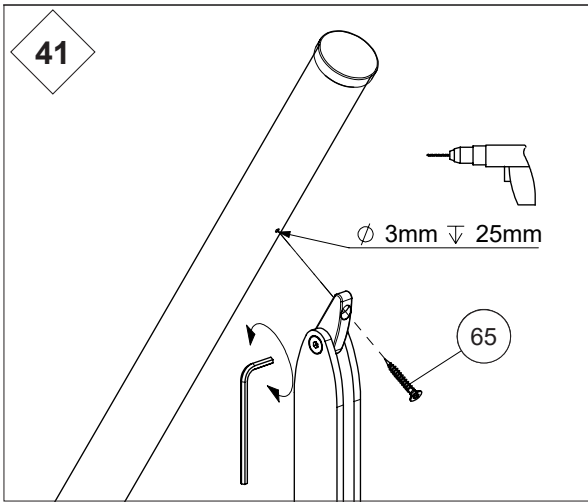


35

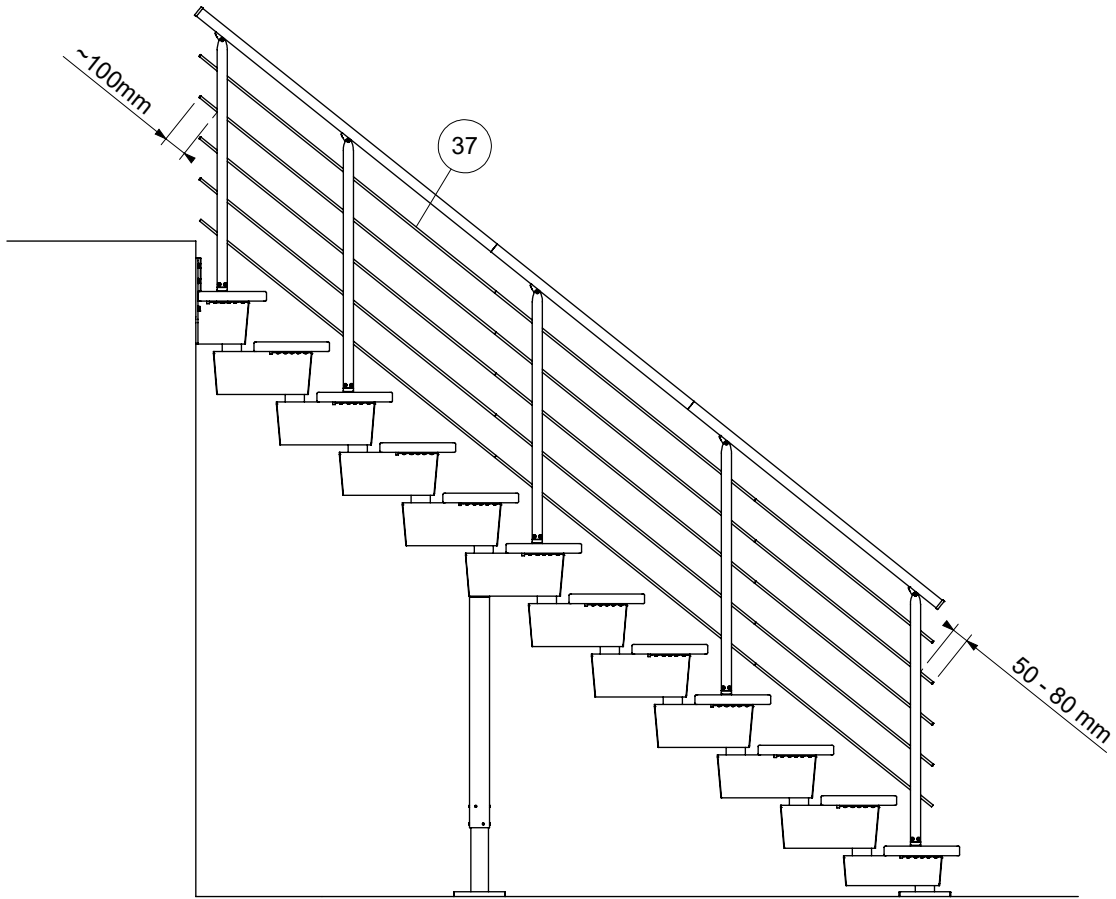
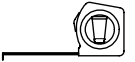




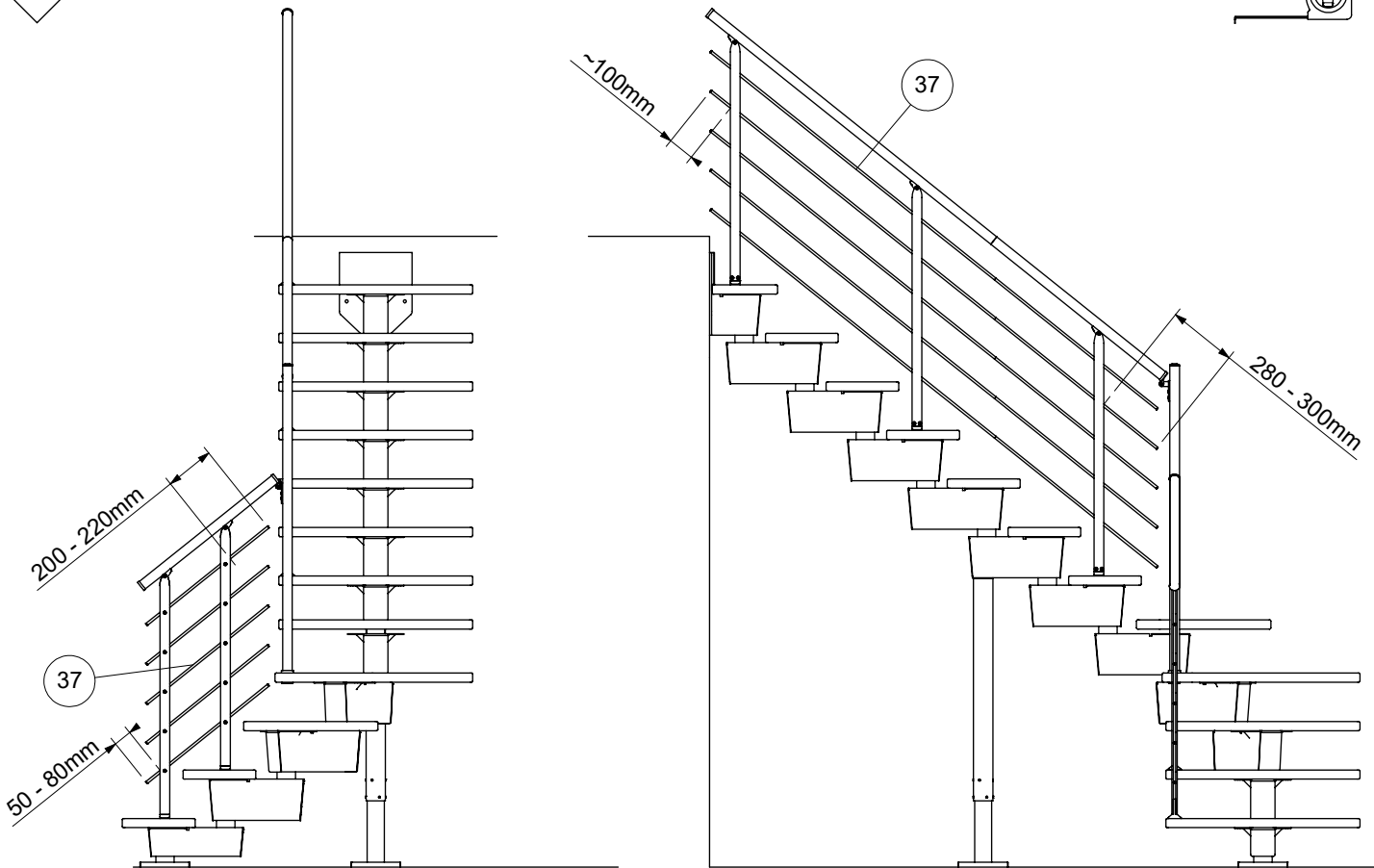
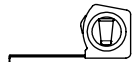




42a



42b



42c

