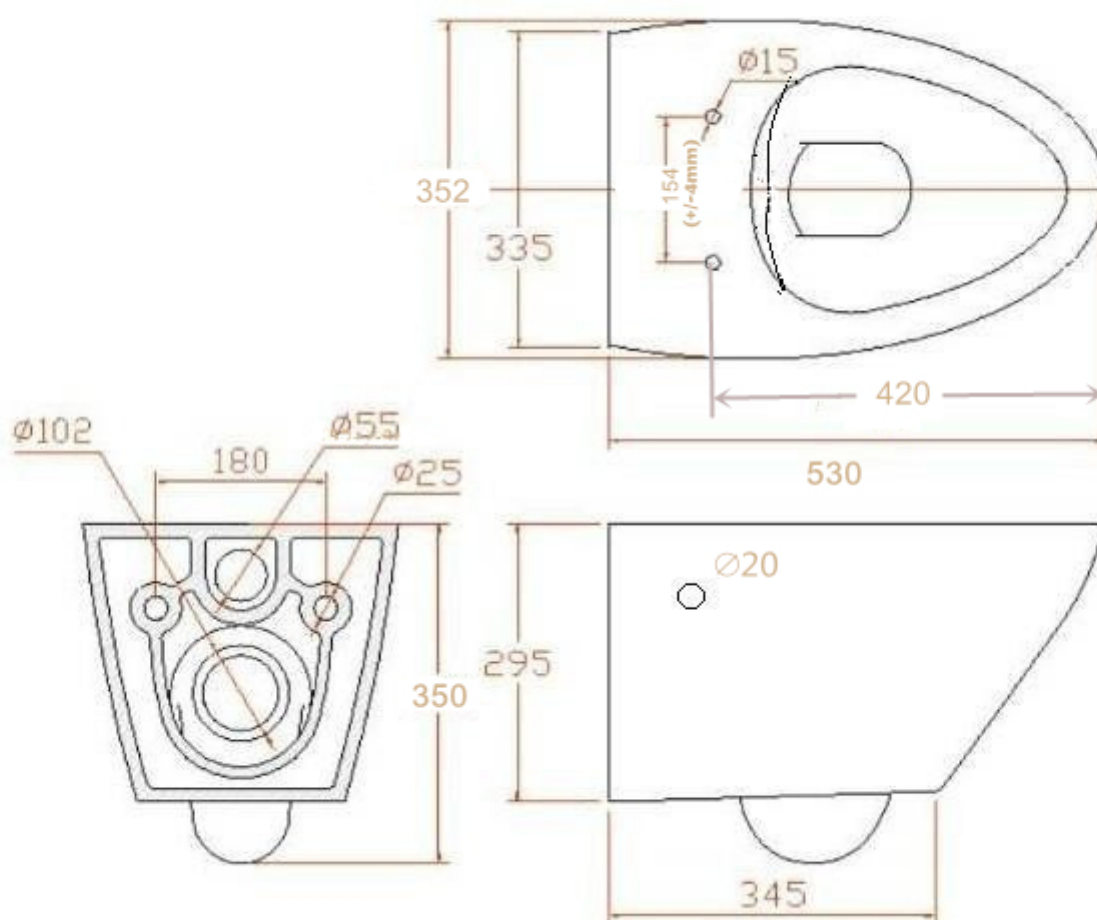


westerbergs droppe



Art.nr: 20060191 Westerbergs Badrum part of Hålså Brand Group AB