

# A3



## SERIES A3

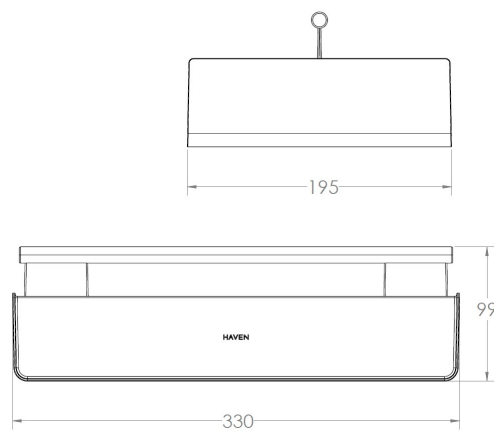
### TOOLBOX A3.21

AVAILABLE IN:  
NORDIC GREEN,  
DARK BURGUNDY  
CORAL

THE MATERIAL IS BASED ON STARCH FROM MAIZE AND  
SWEET POTATO, WITH BAMBOO FIBRE REINFORCEMENT.  
IT IS NON-TOXIC, NATURALLY DEGRADABLE AND COMPOSIBLE.

DESIGN BY NOTE DESIGN STUDIO

[WWW.HAVEN.SE](http://WWW.HAVEN.SE)



# HAVEN