

Antal | **Beskrivning**

1

MIXIT DYNAMIC 25-10 L NRV**OBS! Bilden på produkten kan avvika från aktuell produkt**Art.nr.: [99524668](#)

Grundfos MIXIT DYNAMIC is a pre-fabricated, complete mixing loop with integrated control functions designed for heating and cooling systems. MIXIT DYNAMIC is recommended for pressurised applications.

With MIXIT DYNAMIC a complete mixing loop is built with only two components: a MIXIT DYNAMIC valve unit and the best-in-class Grundfos MAGNA3 circulator pump.

Because MIXIT DYNAMIC communicates wirelessly with MAGNA3, only two power cables are required for the MIXIT DYNAMIC system to work.

The compact design ensures a maximum utilisation of space and a tidy and compact installation.

MIXIT DYNAMIC has an integrated actuator and controller and built-in flow and temperature sensors.

Due to the uniquely designed valve and real-time sensor measurements, MIXIT DYNAMIC ensures precise flow temperature control even at low flow.

Threaded versions of MIXIT DYNAMIC have an integrated, removable non-return valve.

Non-return valves are available as an accessory for flange versions.

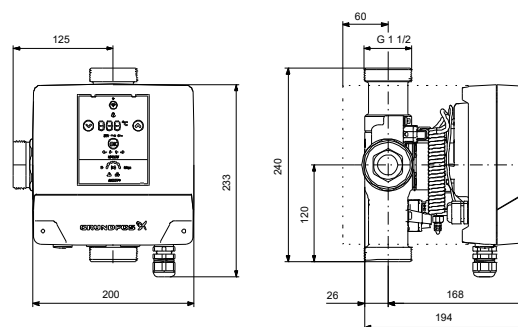
MIXIT DYNAMIC is controlled via an intuitive operating panel and communicates wirelessly with Grundfos GO Remote for easy setup and control. MIXIT DYNAMIC can be configured via three I/O terminals and two relay outputs.

The MIXIT DYNAMIC system can operate as a standalone mixing loop in buildings without any additional equipment. Fieldbus (BACnet, Modbus or GENibus) via Ethernet RJ45 and RS485 transceiver ensures easy BMS integration, allowing MIXIT DYNAMIC to also work as a subsystem in larger buildings.

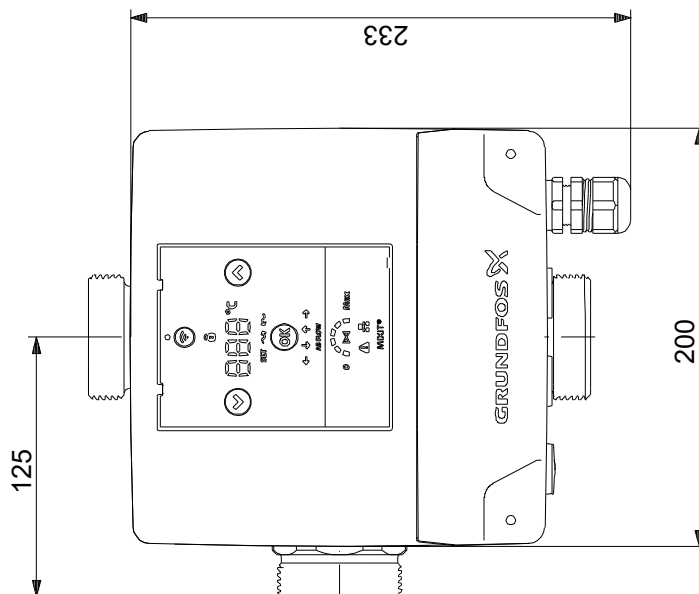
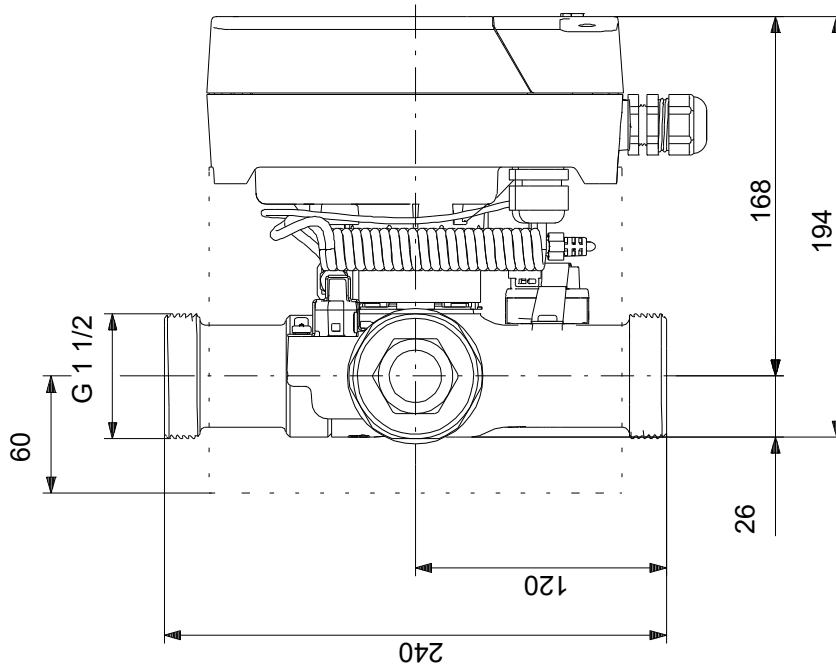
Besides the standard features offered with the MIXIT valve unit, MIXIT DYNAMIC includes balancing limiter functions, pressure independence and energy monitoring. MIXIT DYNAMIC also gives access to Grundfos BuildingConnect Free Monitoring, a real-time monitoring system with alarm and warning notifications.

MIXIT DYNAMIC can be combined with the CONNECT upgrade.

Beskrivning	Värde
Generell information:	
Produktnamn:	MIXIT DYNAMIC 25-10 L NRV
Art. nr:	99524668
EAN nummer:	5713830499283
Tekniskt:	
Min. flöde:	0.5 m ³ /h
Max. flöde:	5.5 m ³ /h
TF klass:	110
Godkännanden:	CE
Modell:	A
Returventil:	YES
Pressure independing control (Yes/No):	Y
Material:	
Grenrör:	Cast iron
Grenrör:	EN-GJS-500-7
Installation:	
Område för omgivande temperatur:	0 .. 50 °C
Max. driftstryck:	10 bar
Anslutningstyp:	G
Storlek för anslutning:	1 1/2 inch
Trycksteg för röranslutning:	PN 10
Shunt orientation:	left
Vätska:	
Vätsketemperatur område:	0 .. 90 °C
Elektriskdata:	
Effektingång P1:	8 W
Nätfrekvens:	50 Hz
Märkspänning:	1 x 230 V
Max. strömförbrukning:	0.1 A
Kapslingsklass (EC 34-5):	X4D
Övriga:	
Nettovikt:	5.56 kg
Bruttovikt:	6.77 kg
Leveransvolym:	0.032 m ³
Danskt VVS No.:	380991225
Svenskt RSK nr.:	5492813
Norskt NRF nr.:	9045216
Ursprungsland:	DE
Varukod:	84818051



99524668 MIXIT DYNAMIC 25-10 L NRV 50 Hz



OBS! Alla mått anges i (mm) om inte annat anges. Ansvarsfriskrivning: Denna förenklade måttskiss visar inte alla detaljer.