

Model

04-K71

1500*1000*1980mm

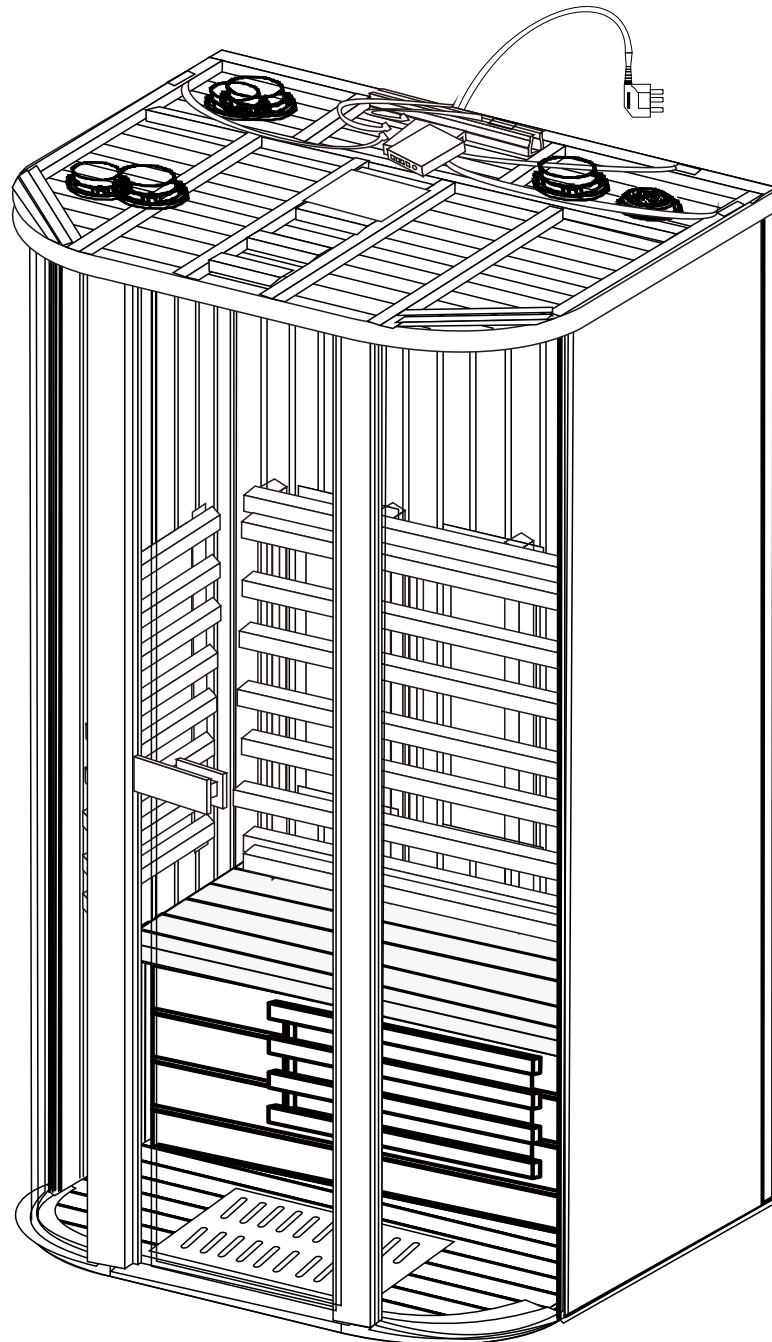
Rated Voltage:AC220-240V




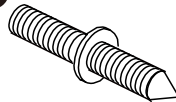
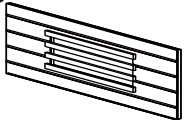
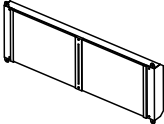




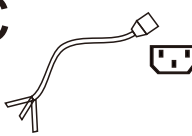
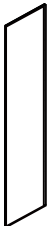

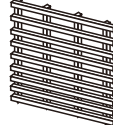

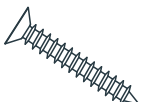
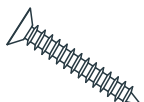

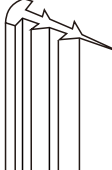
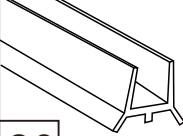



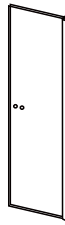

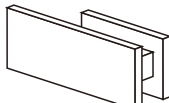
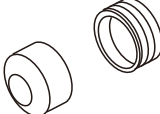
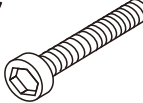


Rated Power:2550W

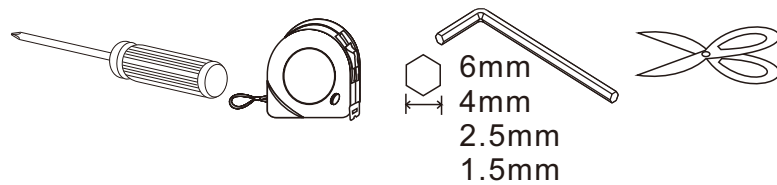
Rated Current:11.6A

Rated frequency:50/60HZ

Insulated Resistance:>20MΩ

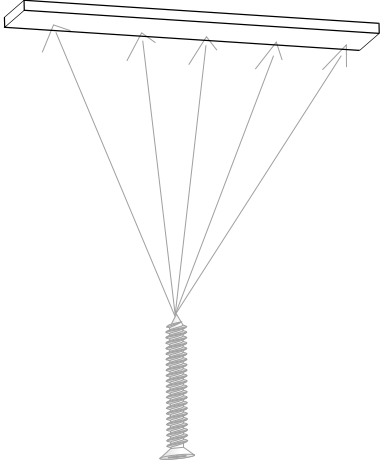
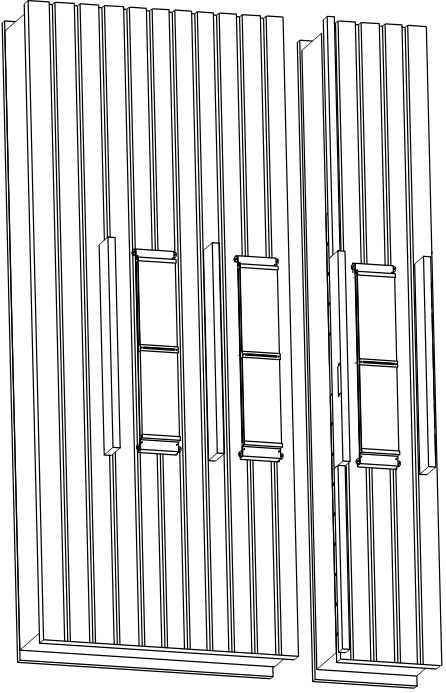
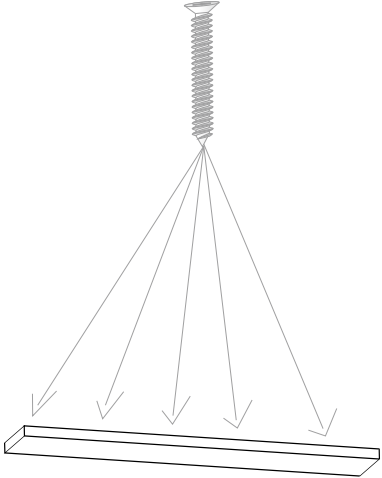
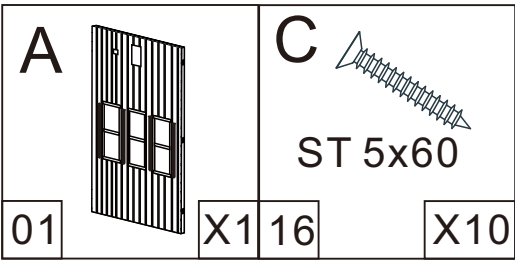


A 	C 	B 	C 	C 
01 X1	02 X1	03 X1	04 X8	05 X1
	C Rubber Pad of heater 	C  ST 4x18	C  ø8 Wire fixer	C  ST 4x12
06 X6	07 X4	08 X6	09 X7	10 X10
C 	B 	C 	C 	C 
11 X1	12 X1	13 X1	14 X1	15 X2
C  ST 5x60	C  ST 4x35	D 	C LR001-2.3 	C L:536mm 
16 X19	17 X18	18 X2	19 X1	20 X4
A 	A 	C LR001-3.4 	D 	C 
21 X1	22 X1	23 X1	24 X1	25 X1
C 	C 	C  M8x45	C 	C  ø10 Wire fixer
26 X1	27 X2	28 X2	29 X1	30 X3

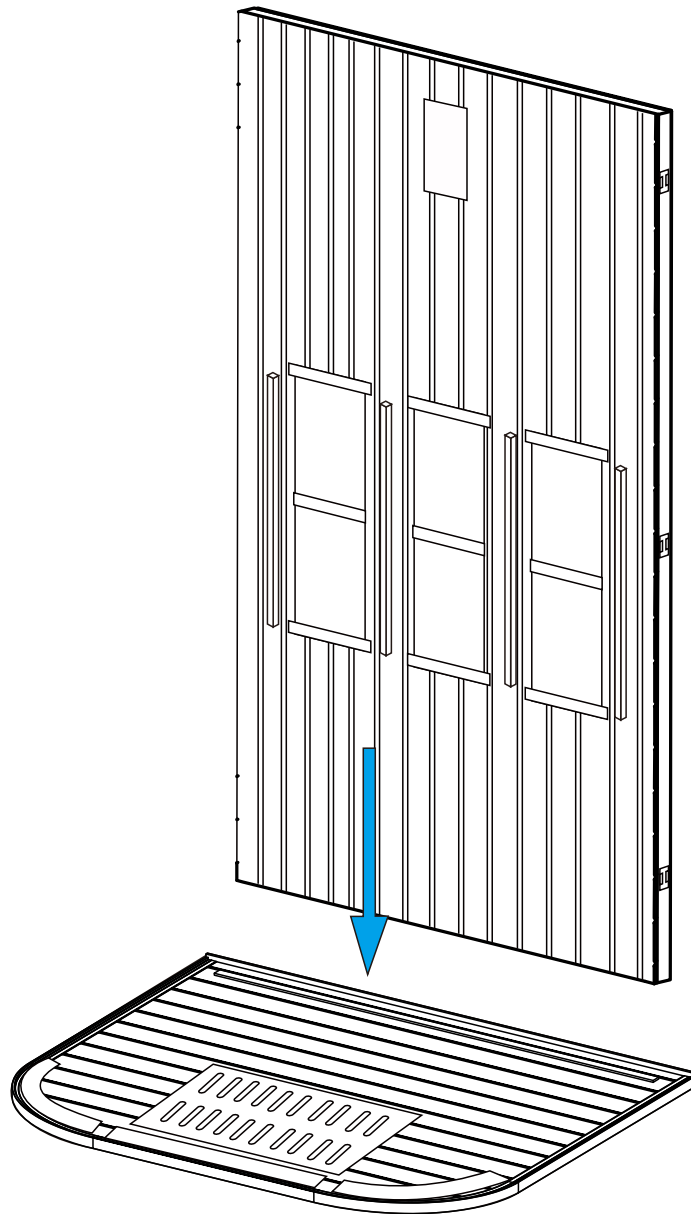
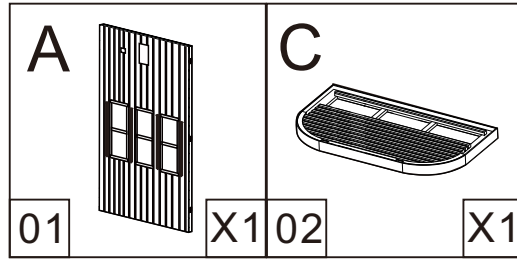


P01

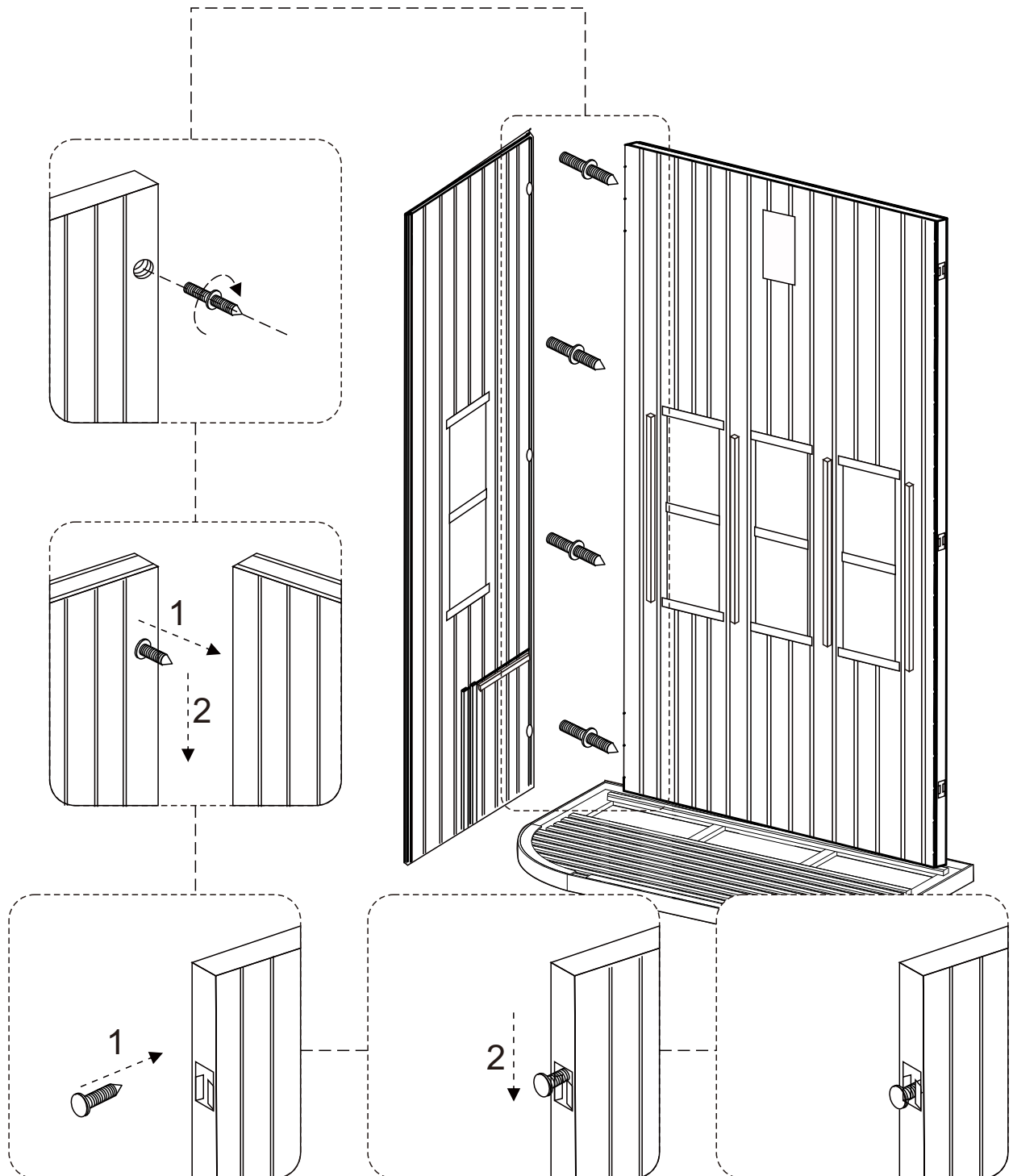
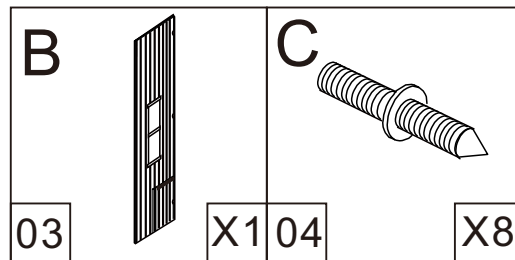
Step:02



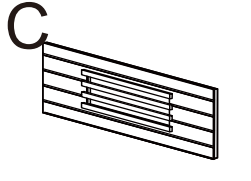
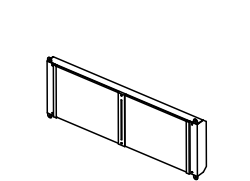
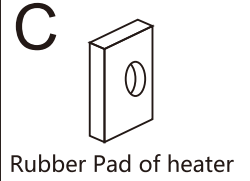

Step:03

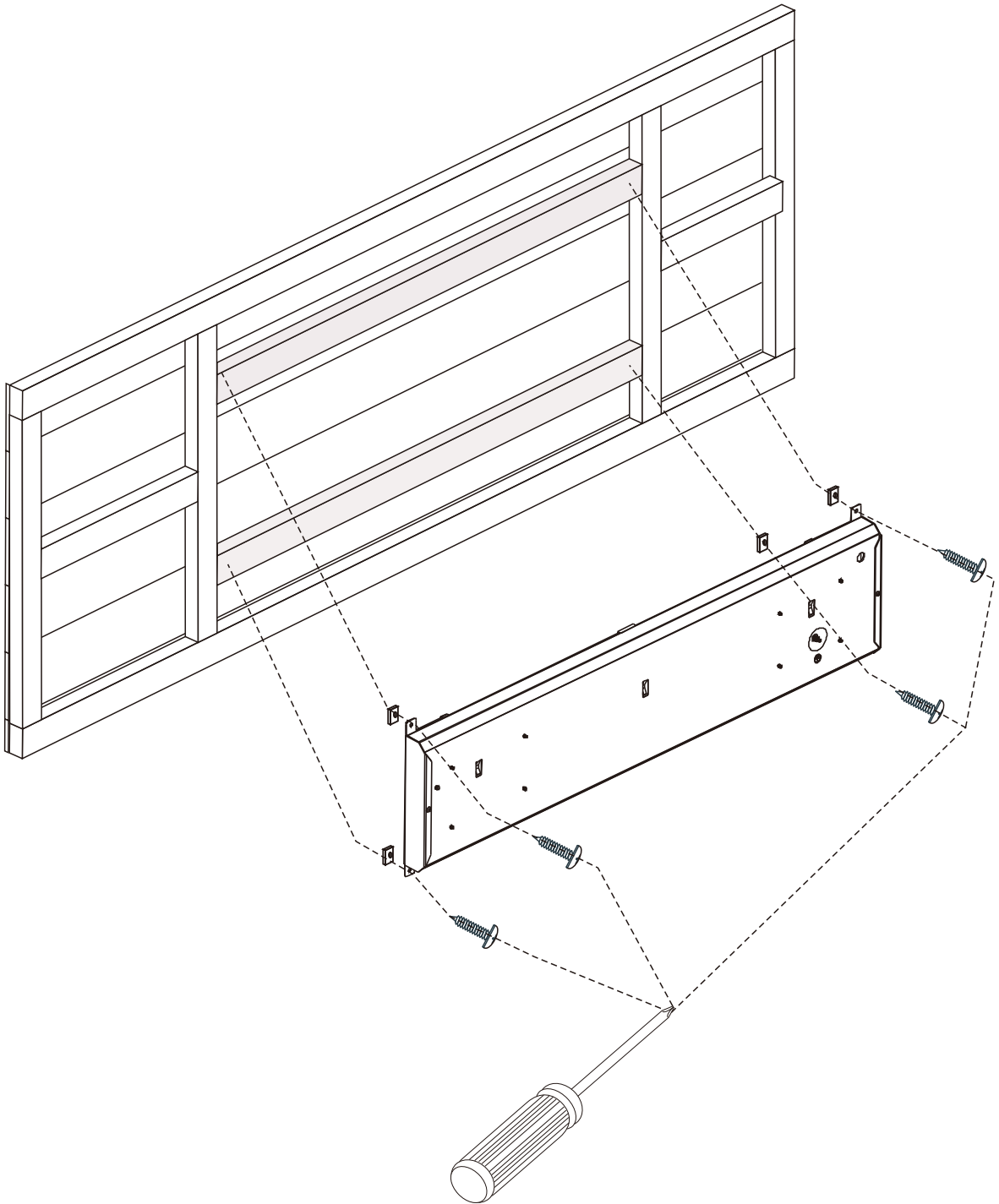


Step:04

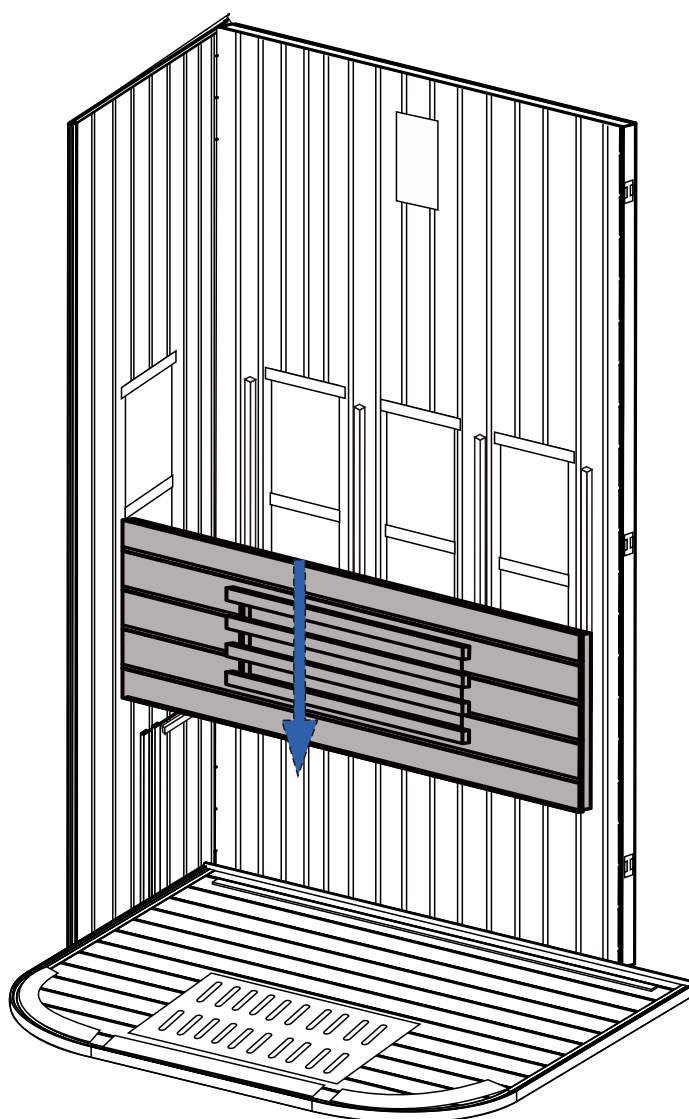
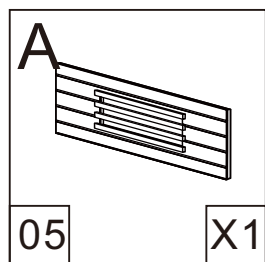


Step:05


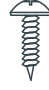
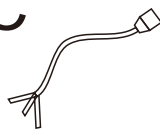
C 		C  Rubber Pad of heater	C  ST 4x18	
05	X1 06	X1 07	X4 08	X4

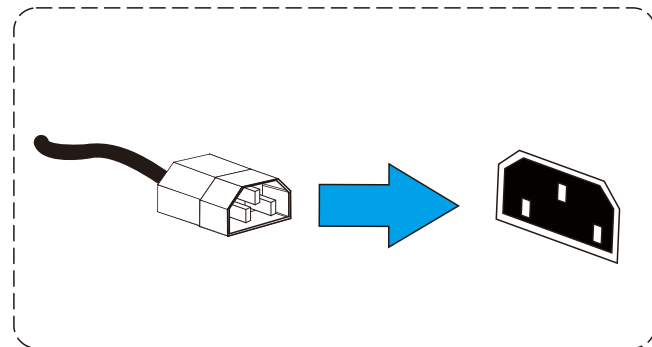
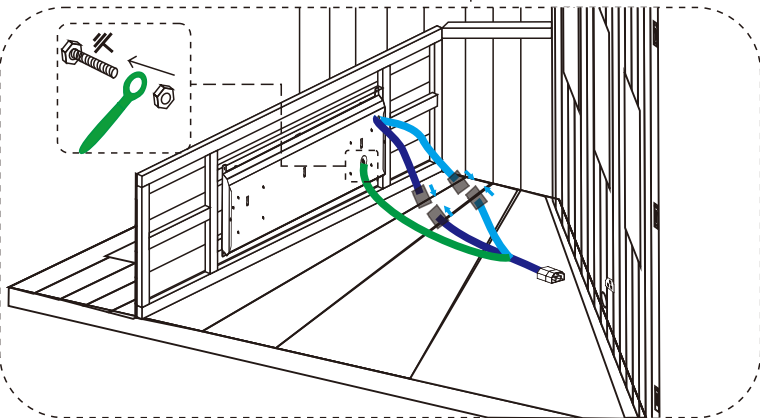
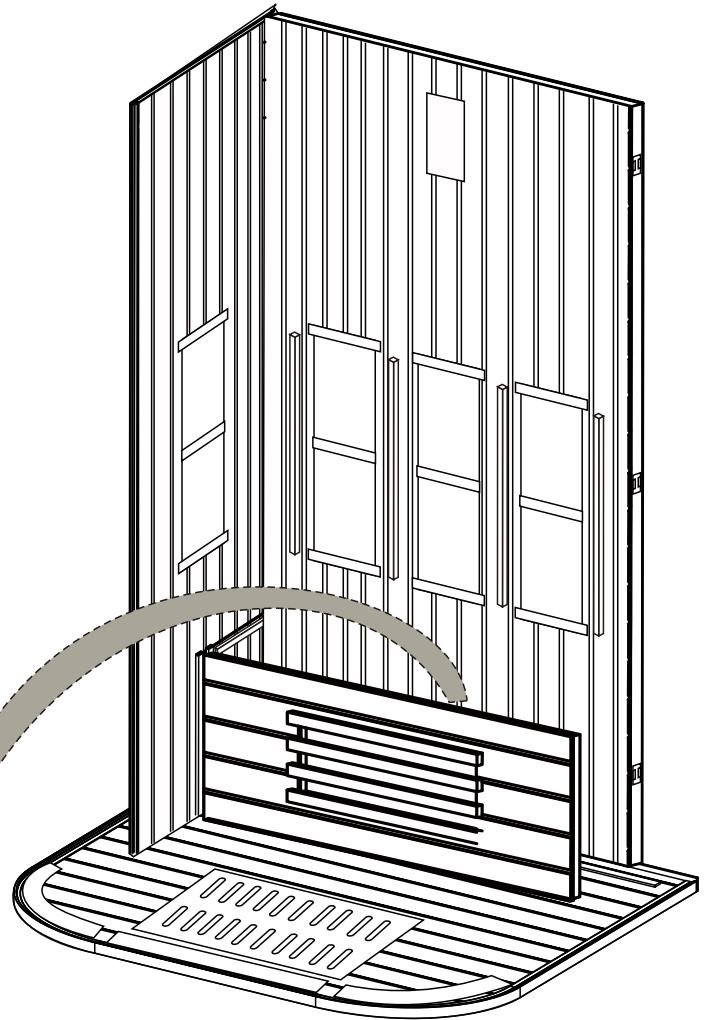
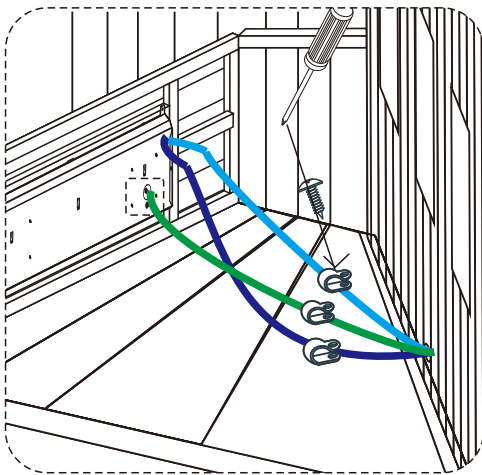


Step:06

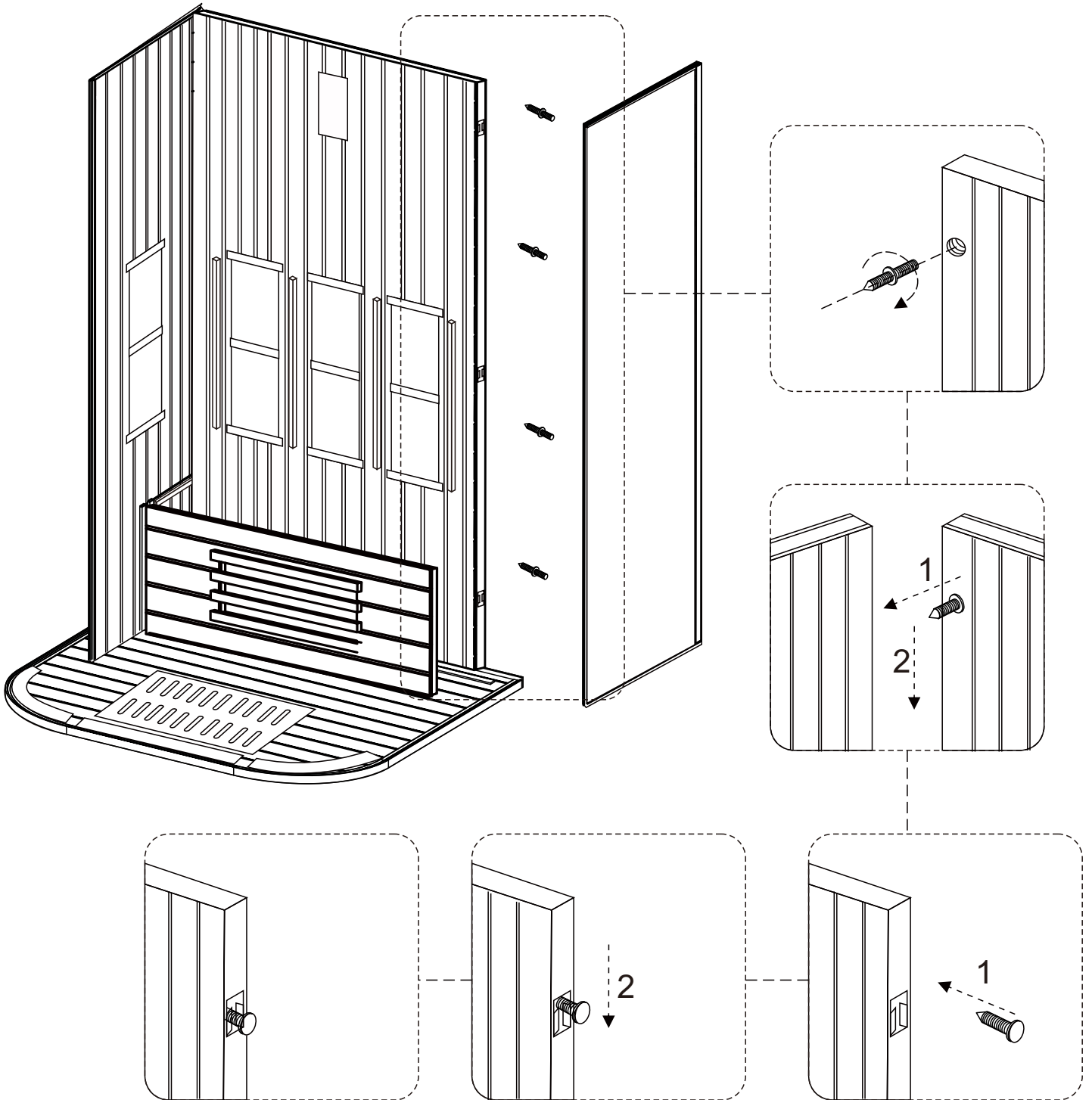
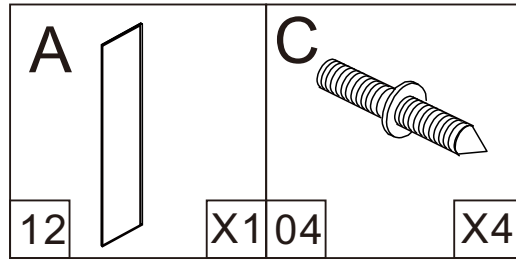


Step:07

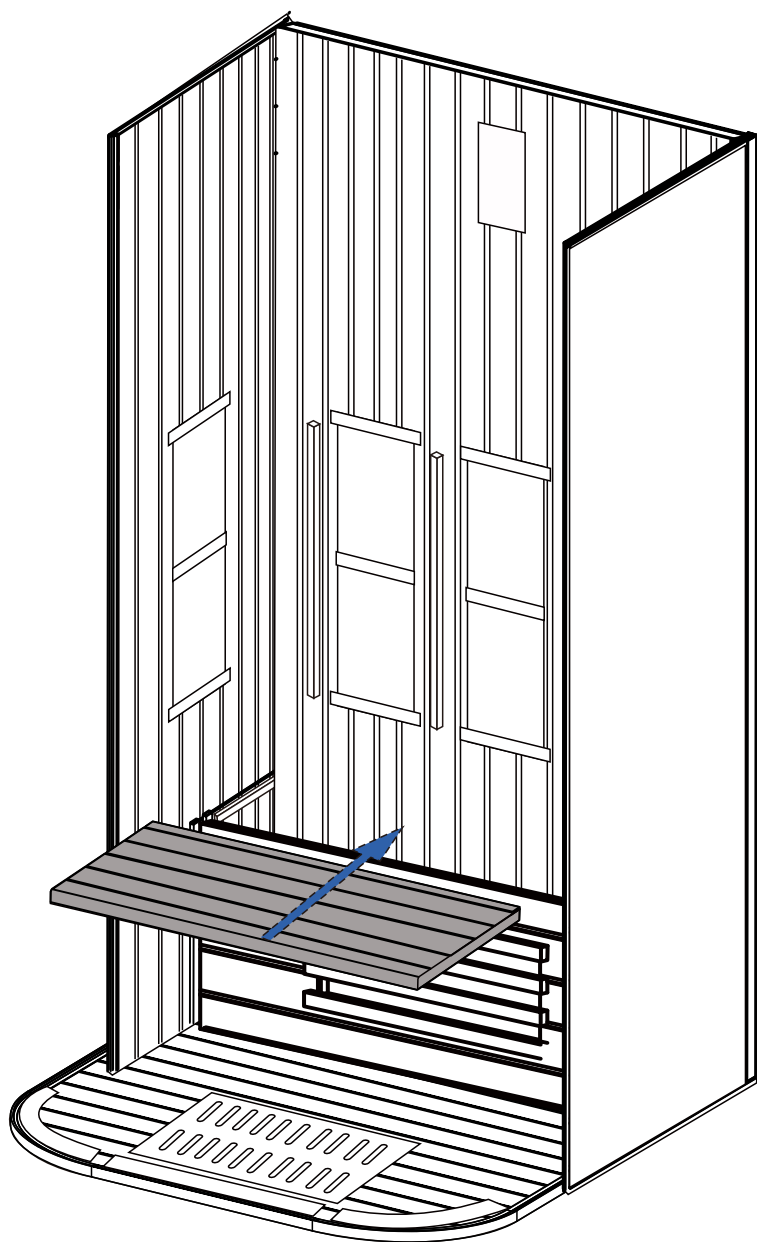
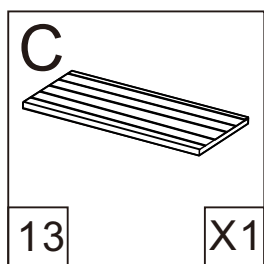
C	 ø8 Wire fixer	C	 ST 4x12	C	
09	X3	10	X3	11	X1



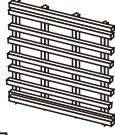
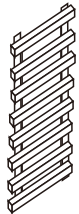
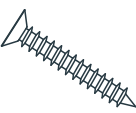
Step:08

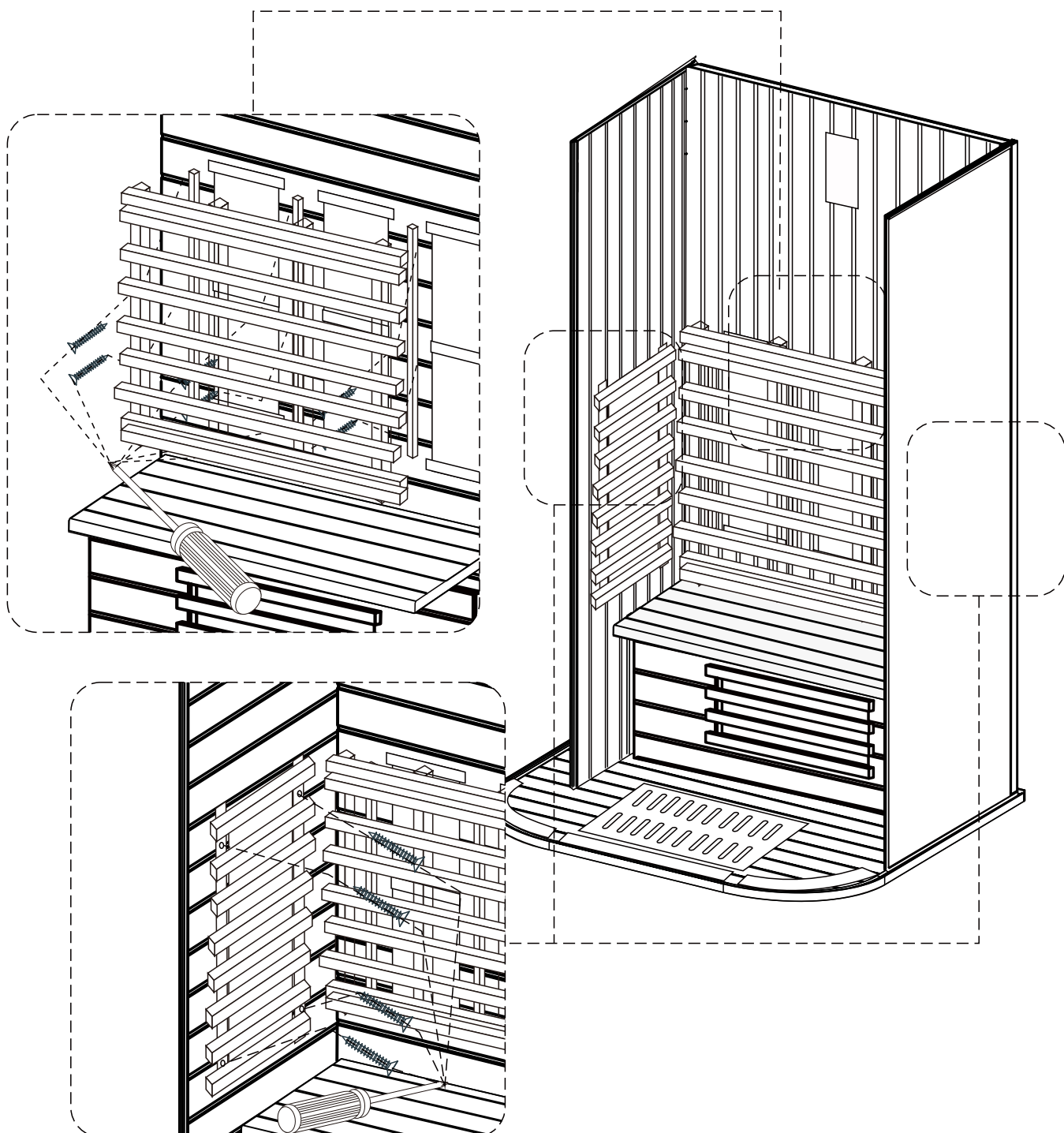


Step:09

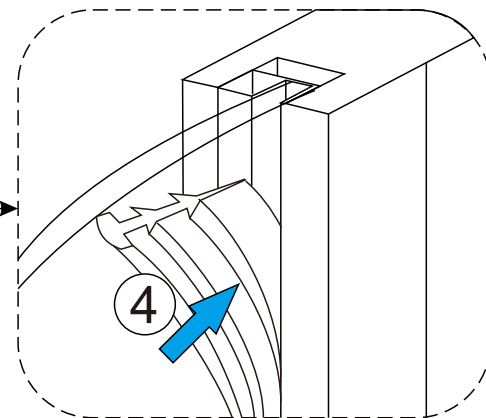
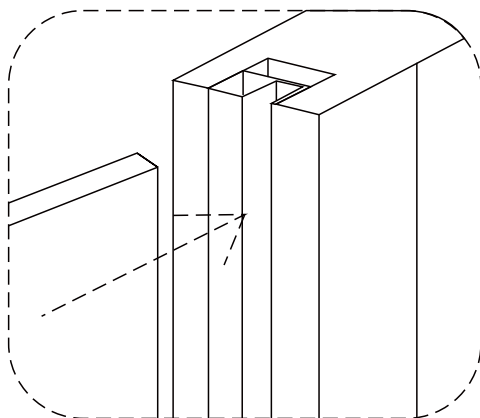
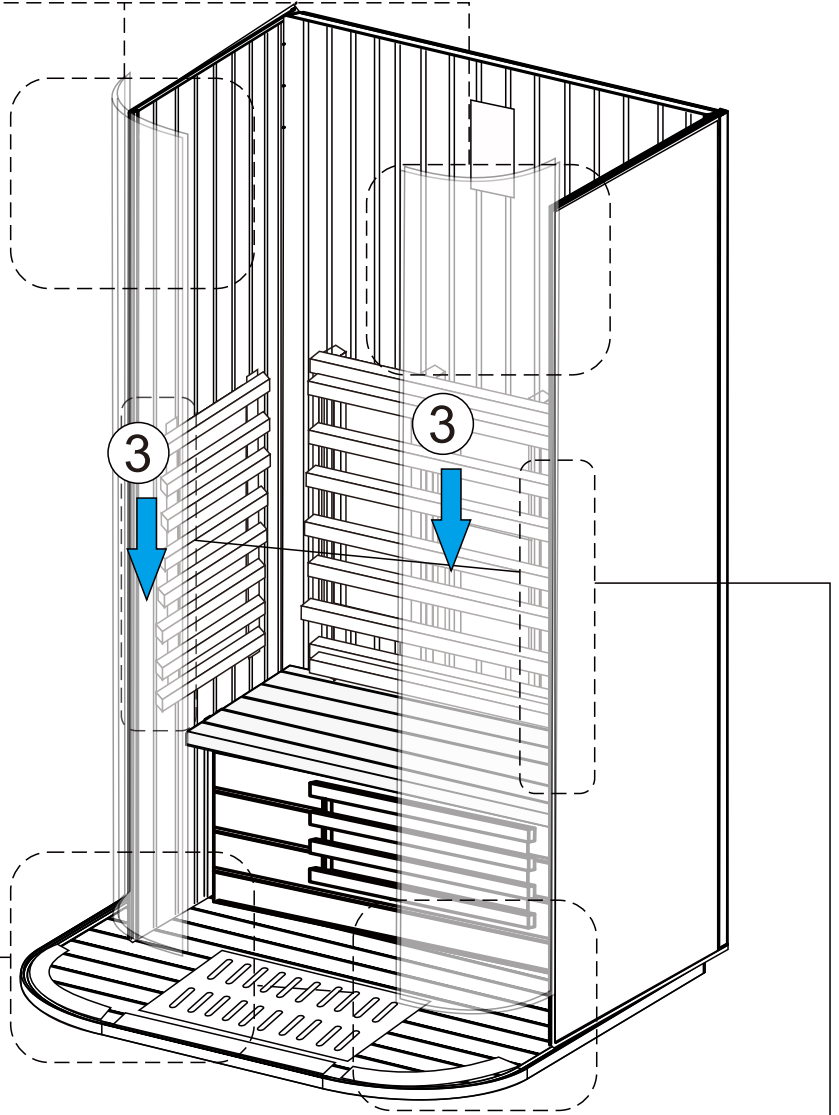
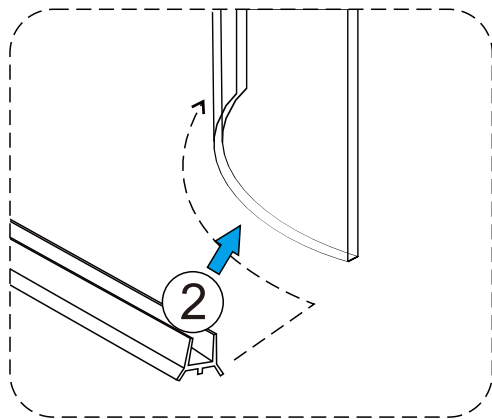
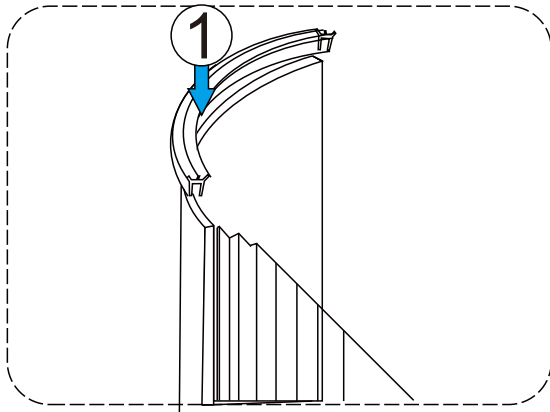
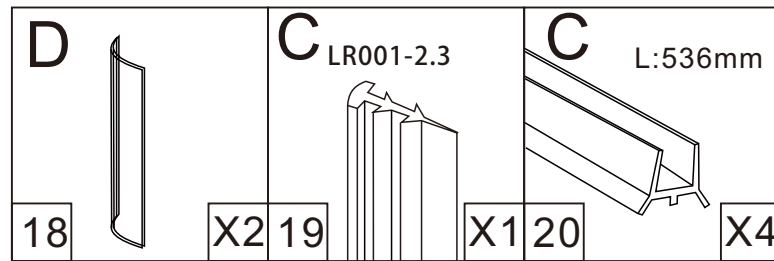


Step:10

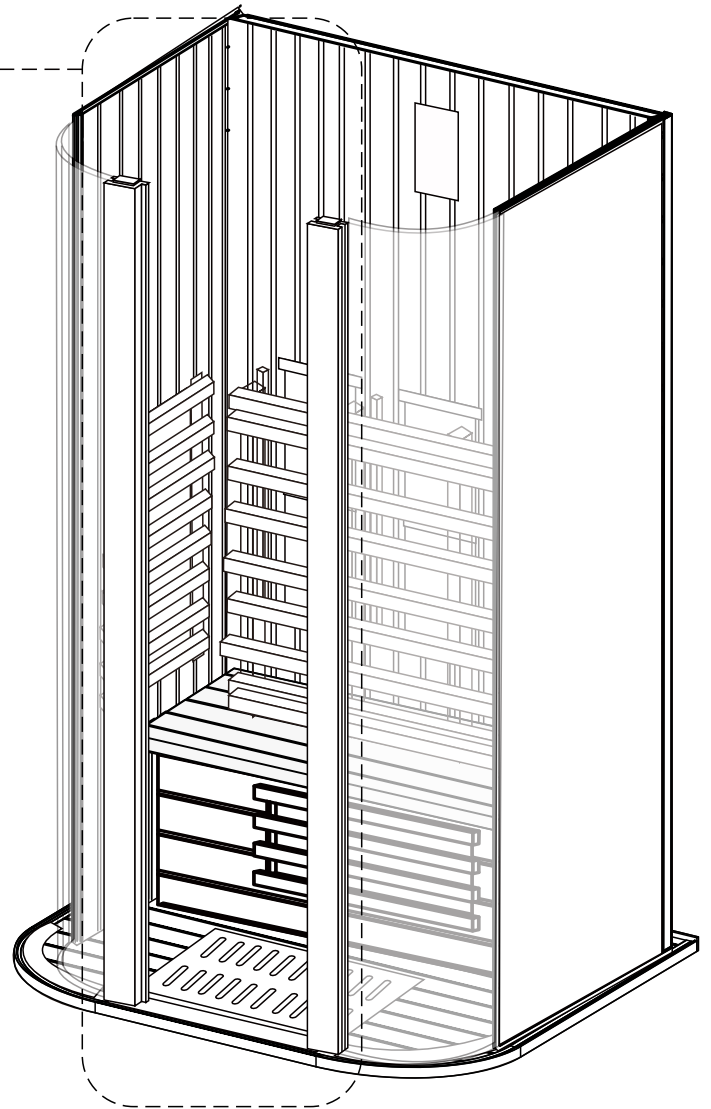
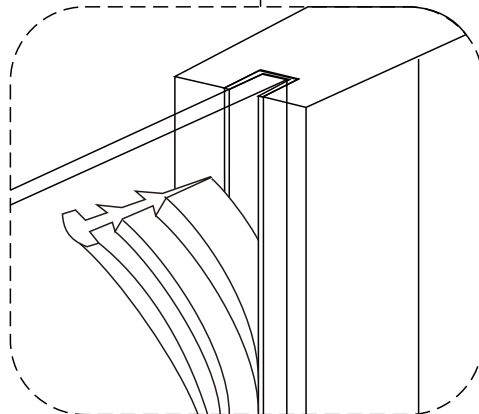
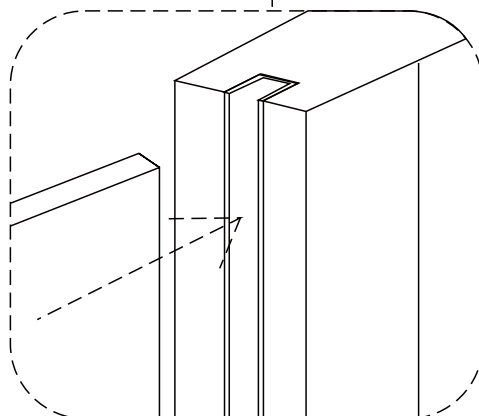
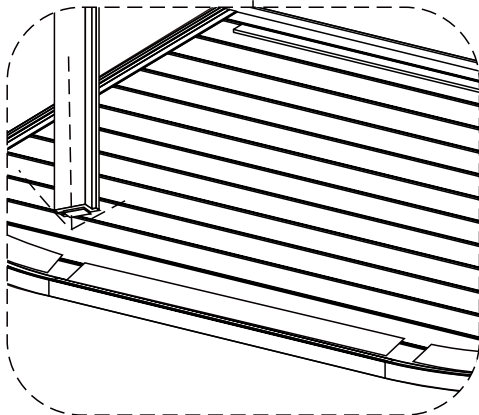
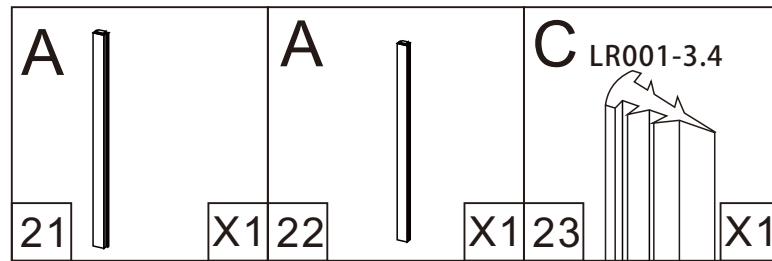
C 	C 	C  ST 4x35	
14	X1 15	X2 17	X16



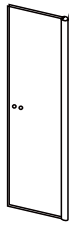
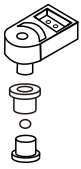

Step:11

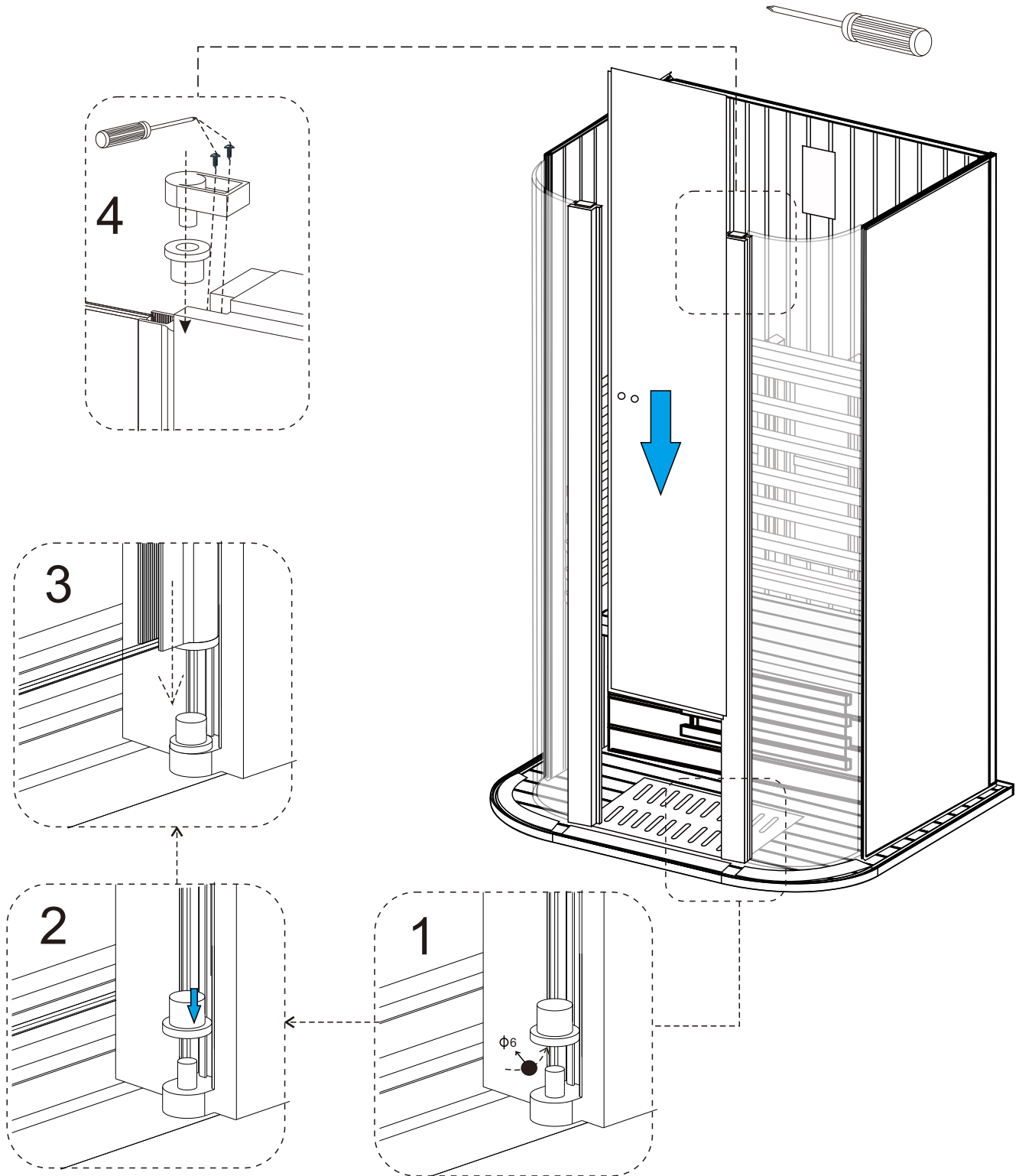


Step:12

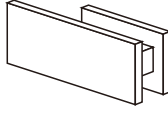
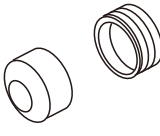
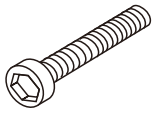
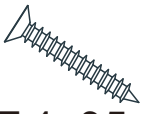


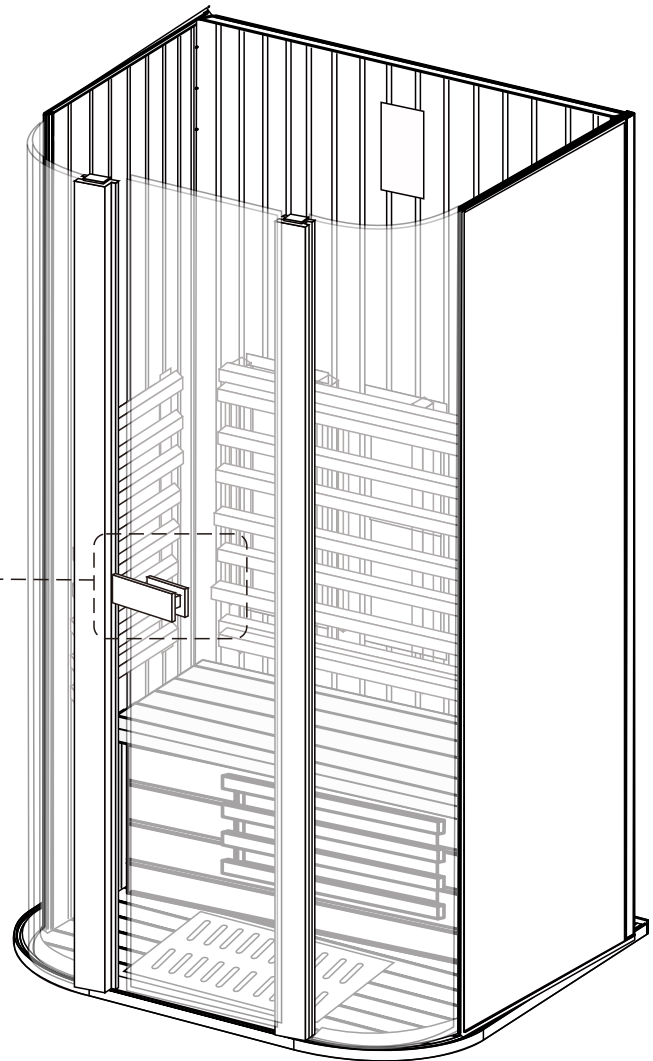
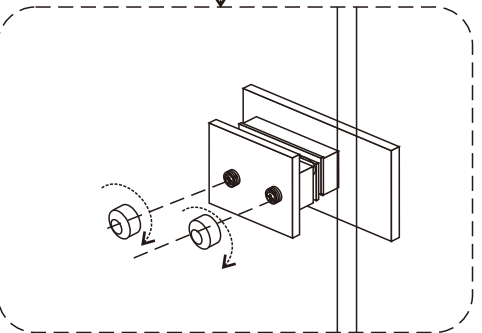
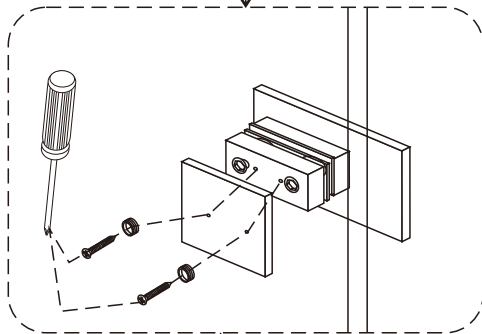
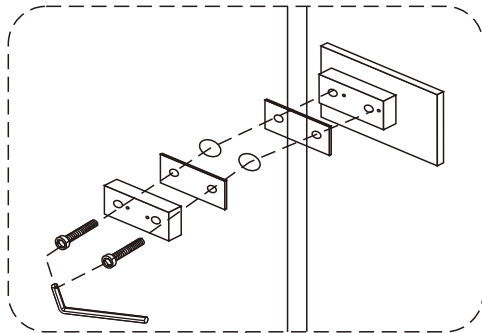
Step:13

D		C		C	 ST 4x18
24	X1	25	X1	08	X2

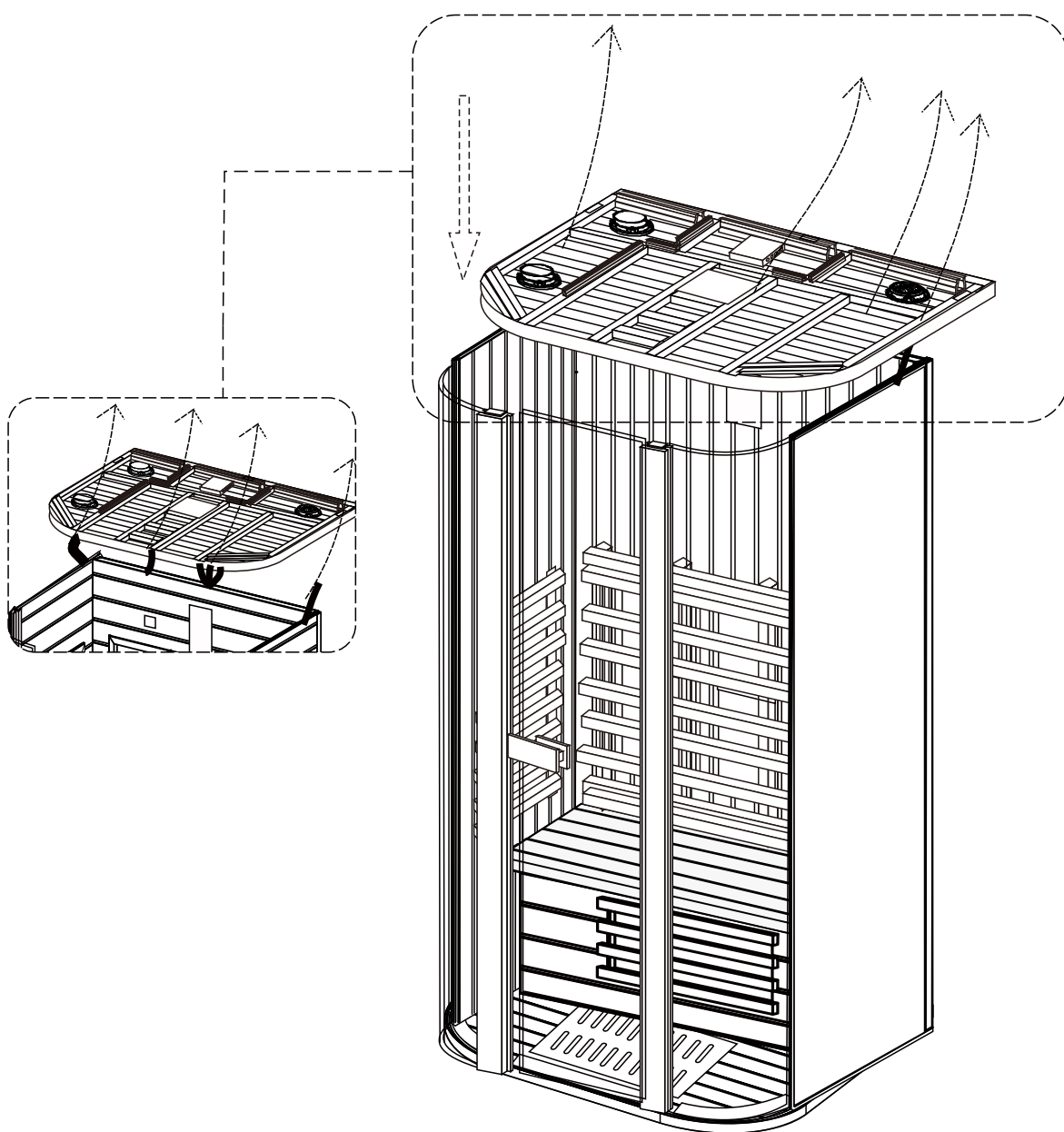
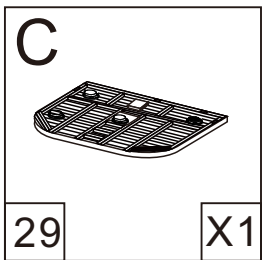


Step:14

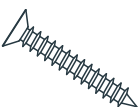
B 	B 	B  M8x45	B  ST 4x35
26	X1 27	X2 28	X2 17

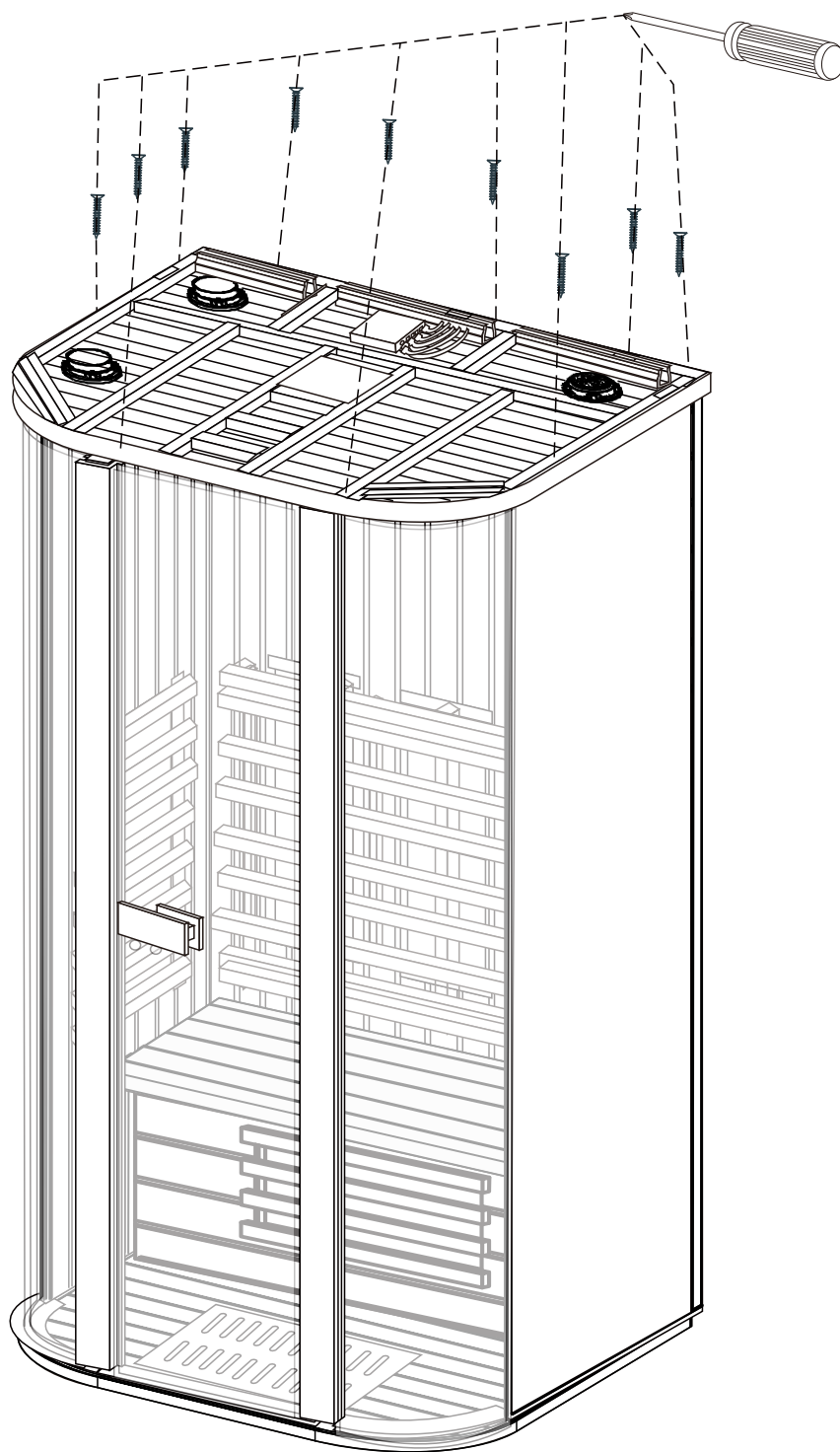
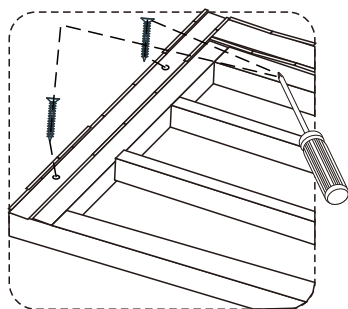


Step:15





Step:17

C	
ST 5x60	
16	X9



Step:18

C		C	
ø10 Wire fixer		ø8 Wire fixer	
30	X3	09	X4

