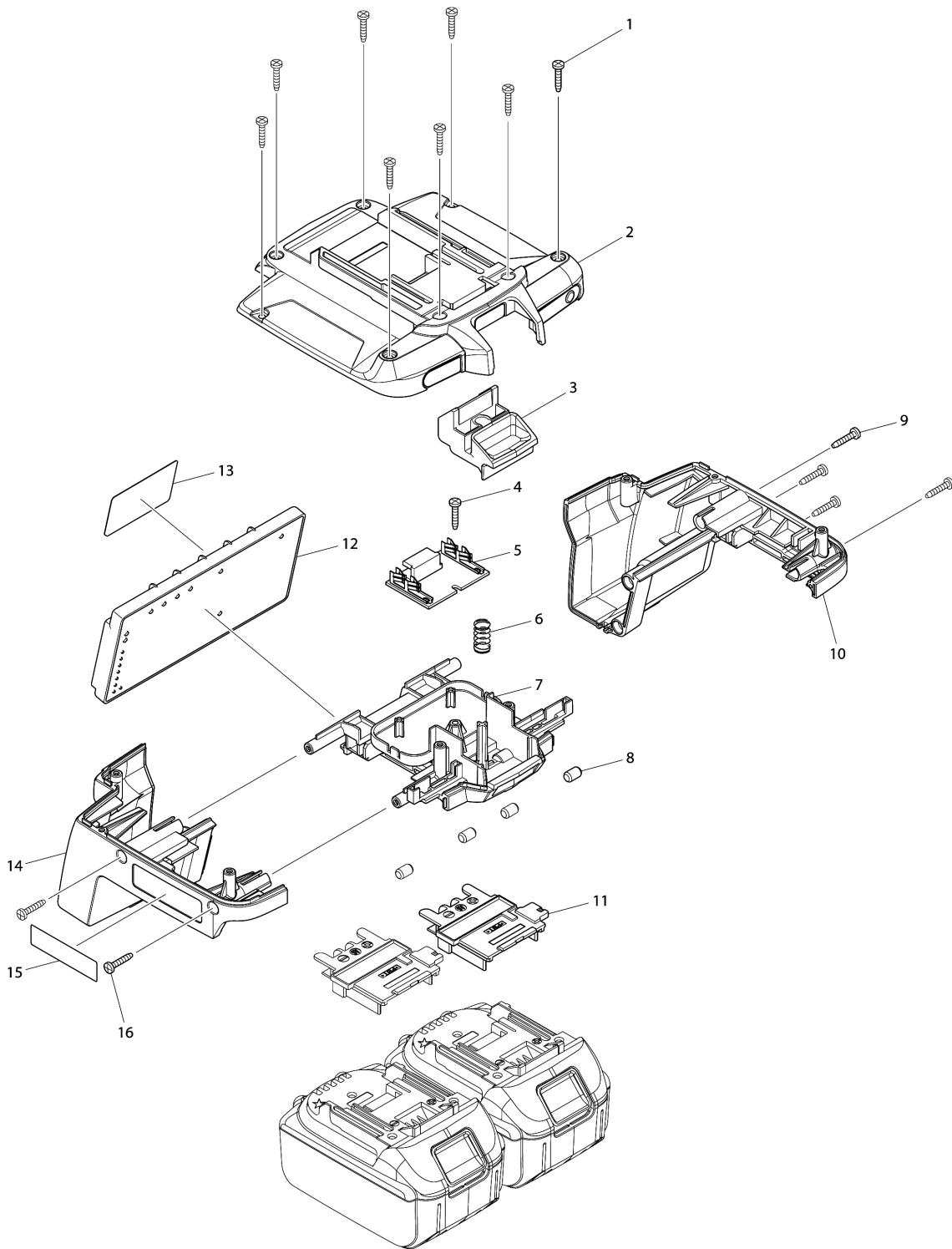


Model No.BCV03 BATTERY CONVERTER



Model No.BCV03 BATTERY CONVERTER

Item	Parts No.	Description	I/C	Qty	New/Old	Opt. 1	Opt. 2	Note
001	266130-9	TAPPING SCREW BIND PT 3X16		8				
002	141393-7	TOP COVER COMPLETE		1				
C10	890759-5	CAUTION LABEL		1				
003	453383-1	HOOK		1				
004	266130-9	TAPPING SCREW BIND PT 3X16		1				
005	620071-7	TERMINAL BOARD COMPLETE		1				
006	234121-8	COMPRESSION SPRING 8		1				
007	453379-2	CENTER CASE		1				
008	263005-3	RUBBER PIN 6		4				
009	266130-9	TAPPING SCREW BIND PT 3X16		4				
010	187415-9	SIDE COVER SET		1	*			
D10		INC. 14,15			*			
010-1	187415-9	SIDE COVER SET	<	1				
D10		INC. 14,15						
011	643899-6	TERMINAL		2				
012	620307-4	ADAPTER CIRCUIT		1	*			
012-1	620471-1	ADAPTER CIRCUIT	<	1				
013	815R42-7	BCV03 NAME PLATE		1				
014	187415-9	SIDE COVER SET		1	*			
D10		INC. 10,15			*			
014-1	187415-9	SIDE COVER SET	<	1				
D10		INC. 10,15						
015	819232-6	MAKITA LOGO LABEL		1				
016	266130-9	TAPPING SCREW BIND PT 3X16		2				

Please order the parts with part number.

Print Date 31/5/2022