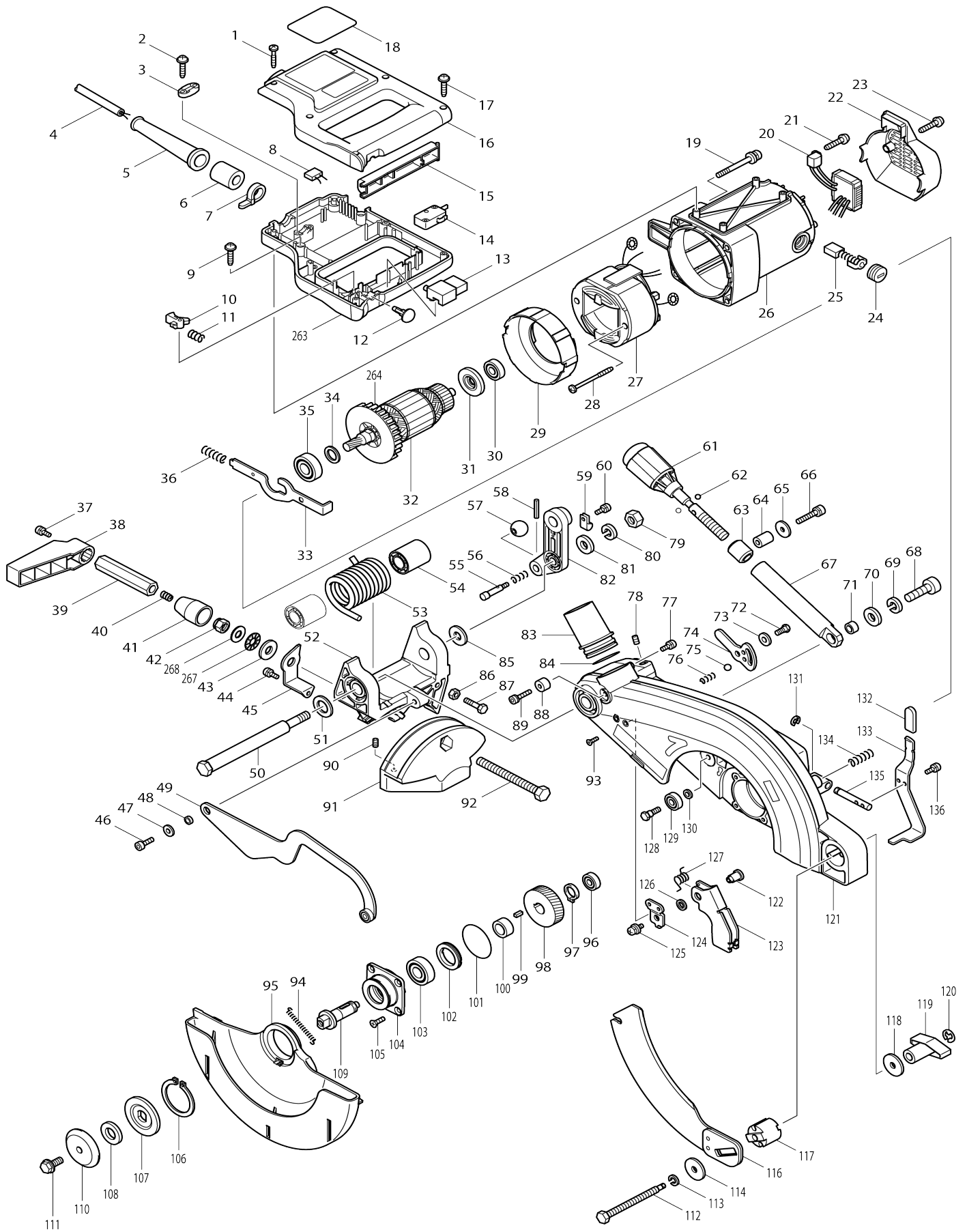
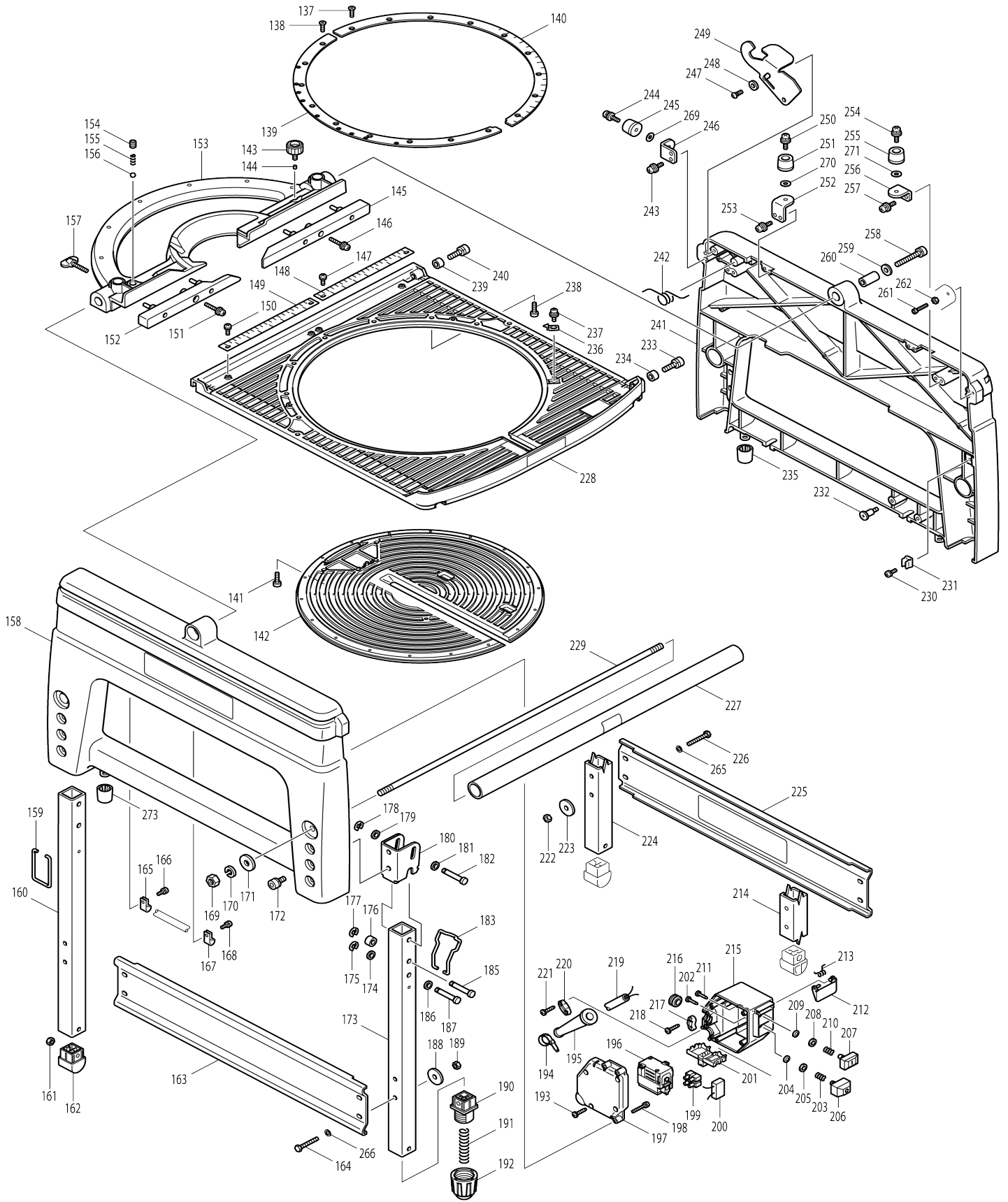


Model No.LF1000 FLIP OVER SAW 260MM



Model No.LF1000 FLIP OVER SAW 260MM



Model No.LF1000 FLIP OVER SAW 260MM

Item No.	Parts No.	Description	Interchangability	Q'ty	New/Old	Note1	Note2
001	265999-8	TAPPING SCREW 4X25		2			
002	265995-6	TAPPING SCREW 4X18		2			
003	687054-0	STRAIN RELIEF		1	*		
003-1	687149-9	STRAIN RELIEF	O	1			
004	662971-5	POWER SUPPLY CORD 1.0-6-1.56		1			
005	682506-6	CORD GUARD 12-90		1			
006	688140-0	LINE FILTER		1			
007	687010-0	BAND		1			
008	645006-7	NOISE SUPPRESSOR		1			
009	265995-6	TAPPING SCREW 4X18		2			
010	416356-5	LOCK-OFF LEVER		1			
011	231026-3	COMPRESSION SPRING 4		1	*		
011-1	233483-1	COMPRESSION SPRING 4	O	1			
012	416404-0	SWITCH BUTTON		1	*		
012-1	451037-4	SWITCH BUTTON	<	1			
013	651923-1	SWITCH TG70B		1			
014	651941-9	SWITCH V-15-2A5		1			
015	416357-3	SWITCH LEVER		1	*		
015-1	458790-3	SWITCH LEVER	<	1			
016	154574-4	HANDLE COVER COMPLETE		1	*		
C10	810087-2	CAUTION LABEL		1	*		
016-1	188063-7	HANDLE SET	S	1			
C10	810087-2	CAUTION LABEL		1			
016-1		INC. 263					
017	265995-6	TAPPING SCREW 4X18		4			
018	861365-3	LF1000 NAME PLATE		1			
019	911383-2	PAN HEAD SCREW M6X60		4			
020	631661-1	CONTROLLER		1	*		
020-1	631947-3	CONTROLLER	<	1			
021	265995-6	TAPPING SCREW 4X18		1			
022	416362-0	REAR COVER		1			
023	265995-6	TAPPING SCREW 4X18		2			
024	643650-4	BRUSH HOLDER CAP 6.5-13.5		2	*		
024-1	643650-4	BRUSH HOLDER CAP 6.5-13.5	O	2			
025	181044-0	CARBON BRUSH CB-153		1	*		
025-1	194985-1	CARBON BRUSH SET CB-153	O	1			
026	154569-7	MOTOR HOUSING COMPLETE		1			
C10	643660-1	BRUSH HOLDER 6.5-13.5		2	*		
C11	643653-8	BRUSH HOLDER 6.5-13.5	O	2	*		
C12	643660-1	BRUSH HOLDER 6.5-13.5	O	2	*		
C13	643653-8	BRUSH HOLDER 6.5-13.5	O	2	*		
C14	643536-2	BRUSH HOLDER 6.5X13.5	<	2	*		
C15	643653-8	BRUSH HOLDER 6.5-13.5	O	2	*		
C16	643536-2	BRUSH HOLDER 6.5X13.5	O	2			
C20	810086-4	CAUTION LABEL		1			
027	596273-6	FIELD ASS'Y 220-240V		1			
C10	654020-2	RING TERMINAL		2			

C20	654502-4	CONNECTOR P-2		2		
028	266044-2	TAPPING SCREW 5X60		2		
029	416361-2	BAFFLE PLATE		1		
030	211061-7	BALL BEARING 6000LLB		1	*	
030-1	211097-6	BALL BEARING 6000LLB	O	1		
031	681642-5	INSULATION WASHER		1		
032	516748-9	ARMATURE ASS'Y 220-240V		1		
032		INC. 30,31,34,35,264				
033	345574-7	SHAFT LOCK		1		
034	253147-1	FLAT WASHER 15		1	*	
034-1	267320-7	FLAT WASHER 15	O	1		
035	211206-7	BALL BEARING 6202LLB		1		
036	231297-2	COMPRESSION SPRING 9		1	*	
036-1	233467-9	COMPRESSION SPRING 9	O	1		
037	911113-1	PAN HEAD SCREW M4X10 WITH WR		1		
038	416006-2	LEVER 100		1		
039	252192-3	HEX.NUT M10-17		1		
040	231266-3	COMPRESSION SPRING 5		1	*	
040-1	233465-3	COMPRESSION SPRING 5	O	1	*	
040-2	231266-3	COMPRESSION SPRING 5	O	1		
041	331691-9	SPACER		1		
042	252130-5	HEX. LOCK NUT M10-17		1	*	
042-1	264005-6	HEX. LOCK NUT M10-17	O	1		
043	253197-6	FLAT WASHER 10		1		
044	911113-1	PAN HEAD SCREW M4X10 WITH WR		1		
045	816825-0	INDICATION PLATE		1		
046	922332-4	HEX. SOCKET HEAD BOLT M6X20		1	*	
046-1	265551-2	HEX. SOCKET HEAD BOLT M6X20	O	1		
047	253804-1	FLAT WASHER 6		1	*	
047-1	267325-7	FLAT WASHER 6	O	1		
048	257270-4	RING 6		1		
049	154573-6	LINK PLATE COMPLETE		1	*	
049-1	141540-0	LINK PLATE COMPLETE	<	1		
050	265532-6	HEX.BOLT M10		1		
051	253707-9	FLAT WASHER 16		1	*	
051-1	267323-1	FLAT WASHER 16	O	1		
052	154570-2	ARM COMPLETE		1	*	
C10	816833-1	BEVEL SCALE LABEL		1	*	
052-1	141133-3	ARM COMPLETE	<	1		
C10	816833-1	BEVEL SCALE LABEL		1		
053	231681-1	TORSION SPRING 34		1		
054	416358-1	SLEEVE 17		2		
055	256488-4	PIN 7		1		
056	233429-7	COMPRESSION SPRING 7		1		
057	271601-3	KNOB 20		1		
058	951063-8	SPRING PIN 3-16		1		
059	687049-3	STRAIN RELIEF		1		
060	911113-1	PAN HEAD SCREW M4X10 WITH WR		1		
061	271319-6	KNOB 40		1		

062	216013-3	STEEL BALL 6		2	*		
062-1	216030-3	STEEL BALL 6	O	2			
063	257750-0	SLEEVE 13		1			
064	257748-7	SLEEVE 6		1			
065	267173-4	FLAT WASHER 6		1	*		
065-1	267313-4	FLAT WASHER 6	O	1			
066	922351-0	HEX. SOCKET HEAD BOLT M6X30		1	*		
066-1	265552-0	HEX. SOCKET HEAD BOLT M6X30	O	1			
067	331689-6	ADJUST NUT		1			
068	922557-0	HEX. SOCKET HEAD BOLT M10X35		1			
069	942251-8	SPRING WASHER 10		1			
070	941252-3	FLAT WASHER 10		1			
071	257747-9	SLEEVE 10		1			
072	265984-1	HEX.SOCKET BUTTON HEAD BOLT M6		1			
073	253823-7	FLAT WASHER 7		1	*		
073-1	267326-5	FLAT WASHER 7	O	1			
074	345553-5	STOPPER PLATE		1			
075	216004-4	STEEL BALL 7.9		1			
076	231038-6	COMPRESSION SPRING 6		1	*		
076-1	233466-1	COMPRESSION SPRING 6	O	1			
077	911113-1	PAN HEAD SCREW M4X10 WITH WR		1			
078	266085-8	H.S.SET SCREW(FLAT POINT)M6X10		1			
079	931502-4	HEX. NUT M10		1			
080	942251-8	SPRING WASHER 10		1			
081	941252-3	FLAT WASHER 10		1			
082	317889-2	CONNECTING ROD		1			
083	416133-5	DUST NOZZLE		1	*		
083-1	419277-0	DUST NOZZLE	O	1			
084	213460-9	O RING 35		1			
085	253197-6	FLAT WASHER 10		1			
086	931302-2	HEX. NUT M6		1			
087	921342-8	HEX. BOLT M6X25		1			
088	257746-1	SLEEVE 5		1			
089	922231-0	HEX. SOCKET HEAD BOLT M5X20		1	*		
089-1	265550-4	HEX. SOCKET HEAD BOLT M5X20	O	1			
090	266085-8	H.S.SET SCREW(FLAT POINT)M6X10		2			
091	317887-6	SUB ARM		1			
092	266377-5	BOLT M10		1			
093	912112-6	COUNTERSUNK HEAD SCREW M4X10		2			
094	231836-8	TENSION SPRING 4		1			
095	418922-4	SAFETY COVER		1	*		
095-1	453711-0	SAFETY COVER	<	1			
096	211031-6	BALL BEARING 608LLB		1	*		
096-1	210043-6	BALL BEARING 608LLB	O	1			
097	961055-9	RETAINING RING S-15		1			
098	226600-0	HELICAL GEAR 46		1			
099	254202-2	KEY 4		1			

100	257266-5	RING 15		1		
101	213623-7	O RING 46		1		
102	285808-5	BEARING RETAINER 25-36		1	*	
102-1	285846-7	BEARING RETAINER 25-36	O	1		
103	211206-7	BALL BEARING 6202LLB		1		
104	317888-4	BEARING BOX		1		
105	912222-9	COUNTERSUNK HEAD SCREW M5 X16		4		
106	961201-4	RETAINING RING S-42		1		
107	224333-1	FLANGE 53		1		
108	257262-3	RING 16		1	*	
108-1	257295-8	RING 16	O	1		
109	324543-1	SPINDLE		1		
110	224400-2	OUTER FLANGE 53		1		
111	265355-2	HEX. FLANGE HEAD BOLT M8X20		1	*	
111-1	266762-2	HEX. SOCKET HEAD BOLT M8X22	<	1		
112	265534-2	HEX.BOLT M8X86		1	*	
112-1	266763-0	HEX. SOCKET HEAD BOLT M8X97	<	1		
113	942201-3	SPRING WASHER 8		1		
114	267009-7	FLAT WASHER 8		1	*	
114-1	267312-6	FLAT WASHER 8	O	1		
116	163461-6	RIVING KNIFE		1		
117	331690-1	KNIFE SUPPORT		1		
118	267009-7	FLAT WASHER 8		1	*	
118-1	267312-6	FLAT WASHER 8	O	1		
119	252641-0	WING NUT M8		1		
120	961011-9	STOP RING E-4		1		
121	154571-0	BLADE CASE COMPLETE		1		
C10	268076-5	PIN 6		2		
C20	817667-5	CAUTION LABEL		1		
C30	819174-4	MAKITA LOGO LABEL		1		
C40	951163-4	SPRING PIN 5-20		1		
122	324497-2	GUARD SHAFT		1	*	
122-1	324664-9	GUARD SHAFT	O	1		
123	345554-3	GUARD		1		
124	345558-5	GUARD HOLDER		1		
125	911213-7	PAN HEAD SCREW M5X12		1		
126	267070-4	FLAT WASHER 10		1	*	
126-1	267327-3	FLAT WASHER 10	O	1		
127	231675-6	TORSION SPRING 11		1		
128	265533-4	HEX.BOLT M6		1		
129	211031-6	BALL BEARING 608LLB		1	*	
129-1	210043-6	BALL BEARING 608LLB	O	1		
130	267173-4	FLAT WASHER 6		1	*	
130-1	267313-4	FLAT WASHER 6	O	1		
131	961012-7	STOP RING E-6		1		
132	421589-9	CAP		1		
133	345552-7	LOCK LEVER		1		
134	231297-2	COMPRESSION SPRING 9		1	*	
134-1	233467-9	COMPRESSION SPRING 9	O	1		
135	256855-3	ROD 8		1		
136	911113-1	PAN HEAD SCREW M4X10 WITH		2		

		WR				
137	912112-6	COUNTERSUNK HEAD SCREW M4 X10		9		
138	912112-6	COUNTERSUNK HEAD SCREW M4 X10		9		
139	345541-2	SLIDE PLATE L		1		
140	345542-0	SLIDE PLATE R		1		
141	922332-4	HEX. SOCKET HEAD BOLT M6X20		4	*	
141-1	265551-2	HEX. SOCKET HEAD BOLT M6X20	O	4		
142	154575-2	TURN TABLE COMPLETE		1	*	
C10	256253-1	PIN 5		1	*	
142-1	141631-7	TURN TABLE COMPLETE	<	1		
C10	256253-1	PIN 5		1		
143	251815-0	SCREW M6X25		1		
144	268068-4	PIN 5		1		
145	154578-6	SUB FENCE R COMPLETE		1	*	
C10	268076-5	PIN 6		2	*	
146	911258-5	PAN HEAD SCREW M5X35		1	*	
147	911113-1	PAN HEAD SCREW M4X10 WITH WR		2		
148	816827-6	SCALE PLATE R		1		
149	816826-8	SCALE PLATE L		1		
150	911113-1	PAN HEAD SCREW M4X10 WITH WR		2		
151	911258-5	PAN HEAD SCREW M5X35		1	*	
152	154577-8	SUB FENCE L COMPLETE		1	*	
C10	268076-5	PIN 6		2	*	
153	154576-0	GUIDE FENCE COMPLETE		1	*	
C10	256253-1	PIN 5		2	*	
153-1	141586-6	GUIDE FENCE COMPLETE	<	1	*	
C10	256253-1	PIN 5		2	*	
153-2	142820-7	GUIDE FENCE COMPLETE	<	1		
C10	256253-1	PIN 5		2		
154	251966-9	H.S.SET SCREW(FLATPOINT)M10X 12		1	*	
154-1	266392-9	H.S.SET SCREW(FLATPOINT)M10X 12	O	1		
155	231038-6	COMPRESSION SPRING 6		1	*	
155-1	233466-1	COMPRESSION SPRING 6	O	1		
156	216004-4	STEEL BALL 7.9		1		
157	265710-8	THUMB SCREW M6X33		1		
158	188010-8	FRAME SET		1	*	
158		INC. 273			*	
158-1	188862-7	FRAME SET	<	1		
158-1		INC. 273				
159	345547-0	HOOK		1		
160	331687-0	SQUARE PIPE 32-510		1		
161	931302-2	HEX. NUT M6		3		
162	418927-4	FOOT		3		
163	154592-2	SUPPORT BRACKET COMPLETE		1		
C10	816831-5	INDICATION LABEL		1		
164	921367-2	HEX. BOLT M6X45		4		
165	687049-3	STRAIN RELIEF		1		

166	911113-1	PAN HEAD SCREW M4X10 WITH WR		1			
167	687049-3	STRAIN RELIEF		1			
168	911113-1	PAN HEAD SCREW M4X10 WITH WR		1			
169	931502-4	HEX. NUT M10		4			
170	942251-8	SPRING WASHER 10		4			
171	267087-7	FLAT WASHER 10		4	*		
171-1	267328-1	FLAT WASHER 10	O	4			
172	922431-2	HEX. SOCKET HEAD BOLT M8X20		8	*		
172-1	265553-8	HEX. SOCKET HEAD BOLT M8X20	O	8			
173	331686-2	SQUARE PIPE 32-475		1			
174	253165-9	FLAT WASHER 8		2	*		
174-1	267321-5	FLAT WASHER 8	O	2			
175	961012-7	STOP RING E-6		2			
176	257749-5	SLEEVE 8		4			
177	961012-7	STOP RING E-6		4			
178	961012-7	STOP RING E-6		4			
179	253165-9	FLAT WASHER 8		4	*		
179-1	267321-5	FLAT WASHER 8	O	4			
180	345543-8	BRACKET		4			
181	253165-9	FLAT WASHER 8		4	*		
181-1	267321-5	FLAT WASHER 8	O	4			
182	268127-4	PIN 8		4			
183	345548-8	STOPPER HOOK		2			
185	268127-4	PIN 8		4			
186	253165-9	FLAT WASHER 8		2	*		
186-1	267321-5	FLAT WASHER 8	O	2			
187	268141-0	PIN 8		2			
188	267009-7	FLAT WASHER 8		4	*		
188-1	267312-6	FLAT WASHER 8	O	4			
189	931302-2	HEX. NUT M6		4			
190	418925-8	FOOT BOLT		1			
191	233087-9	COMPRESSION SPRING 13		1	*		
191-1	233468-7	COMPRESSION SPRING 13	O	1			
192	418926-6	FOOT NUT		1			
193	265995-6	TAPPING SCREW 4X18		4			
194	687209-7	BAND		1			
195	682540-6	CORD GUARD 9.3-90		1	*		
195-1	682574-9	CORD GUARD 10-90	O	1			
196	652772-9	RELAY 305.232.01		1	*		
196-1	652772-9	RELAY 305.232.01	O	1	*		
196-2	652772-9	RELAY 305.232.01	O	1	*		
196-3	652772-9	RELAY 305.232.01	O	1			
197	418924-0	SWITCH BOX COVER		1			
198	911148-2	PAN HEAD SCREW M4X25		3			
199	654561-8	TERMINAL BLOCK		1			
200	645206-9	NOISE SUPPRESSOR		1			
201	686035-1	RECEPTACLE SLEEVE		5			
202	418618-7	PIN		1			
203	231025-5	COMPRESSION SPRING 8		1	*		
203-1	233464-5	COMPRESSION SPRING 8	O	1			

204	443103-1	FELT RING 6		1		
205	253186-1	FLAT WASHER 7		1	*	
205-1	267322-3	FLAT WASHER 7	O	1		
206	418617-9	SWITCH BUTTON OFF		1		
207	418616-1	SWITCH BUTTON ON		1		
208	253186-1	FLAT WASHER 7		1	*	
208-1	267322-3	FLAT WASHER 7	O	1		
209	443103-1	FELT RING 6		1		
210	231025-5	COMPRESSION SPRING 8		1	*	
210-1	233464-5	COMPRESSION SPRING 8	O	1		
211	418618-7	PIN		1		
212	418929-0	SWITCH COVER		1		
213	231682-9	TORSION SPRING 5		1		
214	331686-2	SQUARE PIPE 32-475		1		
215	418923-2	SWITCH BOX		1		
216	682511-3	GROMMET		1	*	
216-1	682103-8	GROMMET	<	1		
217	687054-0	STRAIN RELIEF		1	*	
217-1	687149-9	STRAIN RELIEF	O	1		
218	265995-6	TAPPING SCREW 4X18		2		
219	665865-3	POWER SUPPLY CORD 1.0-2-2.5		1		
220	687052-4	STRAIN RELIEF		1	*	
220-1	687124-5	STRAIN RELIEF	O	1		
221	265995-6	TAPPING SCREW 4X18		2		
222	931302-2	HEX. NUT M6		4		
223	267009-7	FLAT WASHER 8		4	*	
223-1	267312-6	FLAT WASHER 8	O	4		
224	331686-2	SQUARE PIPE 32-475		1		
225	345546-2	SUPPORT BRACKET		1		
226	921367-2	HEX. BOLT M6X45		4		
227	154593-0	PIPE 32 COMPLETE		2		
C10	819212-2	MAKITA LOGO LABEL		2		
228	154572-8	TABLE COMPLETE		1		
C10	810086-4	CAUTION LABEL		1		
C20	810965-6	CAUTION LABEL		1		
229	266360-2	SCREW M10		2		
230	911113-1	PAN HEAD SCREW M4X10 WITH WR		1	*	
231	232075-3	LEAF SPRING		1	*	
231-1	410047-0	WRENCH HOLDER 5.6	X	1		
232	266030-3	SCREW M6		2	*	
232-1	266391-1	SHOULDER SCREW M6	O	2		
233	922442-7	HEX. SOCKET HEAD BOLT M8X25		1	*	
233-1	265554-6	HEX. SOCKET HEAD BOLT M8X25	O	1		
234	257749-5	SLEEVE 8		1		
235	418931-3	CAP		2		
236	816128-2	POINTER		1	*	
236-1	816856-9	INDICATION PLATE	O	1		
237	911108-4	PAN HEAD SCREW M4X8		1		
238	922332-4	HEX. SOCKET HEAD BOLT M6X20		9	*	
238-1	265551-2	HEX. SOCKET HEAD BOLT M6X20	O	9		
239	257749-5	SLEEVE 8		1		

240	922442-7	HEX. SOCKET HEAD BOLT M8X25		1	*		
240-1	265554-6	HEX. SOCKET HEAD BOLT M8X25	O	1			
241	188010-8	FRAME SET		1	*		
241		INC. 235			*		
241-1	188862-7	FRAME SET	<	1			
241-1		INC. 235					
242	231680-3	TORSION SPRING 17		1			
243	911333-7	PAN HEAD SCREW M6X20		4			
244	911333-7	PAN HEAD SCREW M6X20		2			
245	421906-3	CUSHION		2			
246	345550-1	STOPPER BRACKET R		2			
247	265984-1	HEX.SOCKET BUTTON HEAD BOLT M6		2			
248	253823-7	FLAT WASHER 7		2	*		
248-1	267326-5	FLAT WASHER 7	O	2			
249	345551-9	LEVER		1			
250	911333-7	PAN HEAD SCREW M6X20		2			
251	421906-3	CUSHION		2			
252	345550-1	STOPPER BRACKET R		2			
253	911333-7	PAN HEAD SCREW M6X20		4			
254	911333-7	PAN HEAD SCREW M6X20		2			
255	421906-3	CUSHION		2			
256	345549-6	STOPPER BRACKET F		2			
257	911333-7	PAN HEAD SCREW M6X20		4			
258	922471-0	HEX. SOCKET HEAD BOLT M8X50		2	*		
258-1	265555-4	HEX. SOCKET HEAD BOLT M8X50	O	2			
259	267236-6	FLAT WASHER 8		2	*		
259-1	267399-8	FLAT WASHER 8	O	2			
260	257751-8	SLEEVE 8		2			
261	922137-2	HEX. SOCKET HEAD BOLT M4X20		1	*		
261-1	265549-9	HEX. SOCKET HEAD BOLT M4X20	O	1			
262	931103-8	HEX. NUT M4		1	*		
262-1	931102-0	HEX. NUT M4	O	1			
263	416364-6	HANDLE		1	*		
263-1	188063-7	HANDLE SET	S	1			
C10	810087-2	CAUTION LABEL		1			
263-1		INC. 16					
264	240003-4	FAN 80		1	*		
265	941152-7	FLAT WASHER 6		4			
266	941152-7	FLAT WASHER 6		4			
267	216413-7	THRUST NEEDLE CAGE 1024		1			
268	253024-7	FLAT WASHER 10		1			
269	253047-5	FLAT WASHER 6		2	*		
269-1	267319-2	FLAT WASHER 6	O	2			
271	253047-5	FLAT WASHER 6		3	*		
271-1	267319-2	FLAT WASHER 6	O	3			
272	253047-5	FLAT WASHER 6		3	*		
272-1	267319-2	FLAT WASHER 6	O	3			
273	418931-3	CAP		2			
A01	122729-9	RULER ASS'Y		1	*		
C10	154580-9	RULE HOLDER COMPLETE		1	*		
C20	251858-2	THUMB SCREW M6X15		1	*		

C30	265730-2	THUMB SCREW M6X35		1	*		
C40	266085-8	H.S.SET SCREW(FLAT POINT)M6X10		1	*		
C50	345424-6	GUIDE PLATE		1	*		
C60	345557-7	NUT PLATE		1	*		
A01		INC. A15			*		
A01-1	122729-9	RULER ASS'Y	O	1			
C10	251858-2	THUMB SCREW M6X15		1			
C20	265730-2	THUMB SCREW M6X35		1			
C30	266085-8	H.S.SET SCREW(FLAT POINT)M6X10		1			
C40	345692-1	GUIDE PLATE		1			
C50	345557-7	NUT PLATE		1	*		
C51	346628-3	NUT PLATE	<	1			
C60	331692-7	RULER A		1			
A01-1		INC. A15					
A02	122732-0	DUST COVER ASS'Y		1	*		
C10	252103-8	HEX. LOCK NUT M5-8		1	*		
C20	265746-7	THUMB SCREW M5X37		1	*		
A02-1	122732-0	DUST COVER ASS'Y	O	1			
C10	264004-8	HEX. LOCK NUT M5-8		1			
C20	265746-7	THUMB SCREW M5X37		1			
A03	122523-9	DUST BAG ASS'Y		1	*		
C10	410602-8	FASTENER		1	*		
A03-1	122852-0	DUST BAG ASS'Y	O	1			
C10	410602-8	FASTENER		1			
A04	122728-1	WISE ASS'Y		1	*		
C10	251887-5	SCREW M6X10		1	*		
C20	253804-1	FLAT WASHER 6		1	*		
C30	265153-4	+ PAN HEAD SCREW M5		1	*		
C40	271303-1	KNOB 40		1	*		
C50	317892-3	WISE ARM		1	*		
C60	322983-7	WISE ROD		1	*		
C70	345575-5	WISE PLATE		1	*		
A04-1	122728-1	WISE ASS'Y	O	1			
C10	251887-5	SCREW M6X10		1			
C20	267325-7	FLAT WASHER 6		1			
C30	265153-4	+ PAN HEAD SCREW M5		1			
C40	271303-1	KNOB 40		1			
C50	317892-3	WISE ARM		1			
C60	324663-1	WISE ROD		1			
C70	345575-5	WISE PLATE		1			
A05	122730-4	ANGLE RULE ASS'Y		1	*		
C10	163454-3	GUIDE PLATE		1	*		
C20	252631-3	THUMB NUT M6		1	*		
C30	253047-5	FLAT WASHER 6		1	*		
C40	271401-1	KNOB 32		1	*		
C50	331693-5	RULER B		1	*		
C60	923326-2	CUP SQUARE NECK BOLT M6X18		1	*		
A05-1	122730-4	ANGLE RULE ASS'Y	O	1			
C10	163454-3	GUIDE PLATE		1			
C20	252631-3	THUMB NUT M6		1			

C30	267319-2	FLAT WASHER 6		1		
C40	271401-1	KNOB 32		1		
C50	331693-5	RULER B		1		
C60	923326-2	CUP SQUARE NECK BOLT M6X18		1	*	
C61	266371-7	CUP SQUARE NECK BOLT M6X18	O	1		
A06	122731-2	TOP COVER ASS'Y		1	*	
C10	233307-1	COMPRESSION SPRING 7		1	*	
C20	268129-0	PIN 8		1	*	
C30	961012-7	STOP RING E-6		1	*	
C40	817283-3	CAUTION LABEL		1	*	
A06-1	122731-2	TOP COVER ASS'Y	O	1	*	
C10	233469-5	COMPRESSION SPRING 7		1	*	
C20	268129-0	PIN 8		1	*	
C30	961012-7	STOP RING E-6		1	*	
C40	817283-3	CAUTION LABEL		1	*	
A06-2	123104-2	TOP COVER ASS'Y	<	1		
C10	233469-5	COMPRESSION SPRING 7		1		
C20	268129-0	PIN 8		1		
C30	961012-7	STOP RING E-6		1		
C40	817283-3	CAUTION LABEL		1		
A07	345555-1	FIX PLATE		3		
A08	416368-8	ELBOW		1		
A09	419043-5	PUSH STICK		1		
A10	762001-3	TRIANGULAR RULE		1		
A11	921322-4	HEX. BOLT M6X16		3		
A12	782230-2	BOX WRENCH 13-3		1	*	
A12-1	783204-6	HEX. WRENCH 6	X	1		
A13	817926-7	CAUTION LABEL		1	*	
A14	B-03838	T.C.T.SAW BLADE 260X30X60T		1	*	
A14-1	D-46408	TCT SAW BLADE 260 X 30 X 60T	O	1		
A15	154580-9	RULE HOLDER COMPLETE		1		
C10	810191-7	CAUTION LABEL		1		
A17	783201-2	HEX. WRENCH 3		1		
A18	123262-4	SUB FENCE ASSEMBLY		1		
C10	142819-2	SUB FENCE COMPLETE		1		
C20	213021-5	O RING 5		1		
C30	265753-0	THUMB SCREW M5X24		1		

Please state Parts No. when your order.

Print Date 03/03/2025